

TRAKROL®

SPECIAL - DUTY TRACK ROLLER BEARINGS



TRAKROL[®] BEARINGS

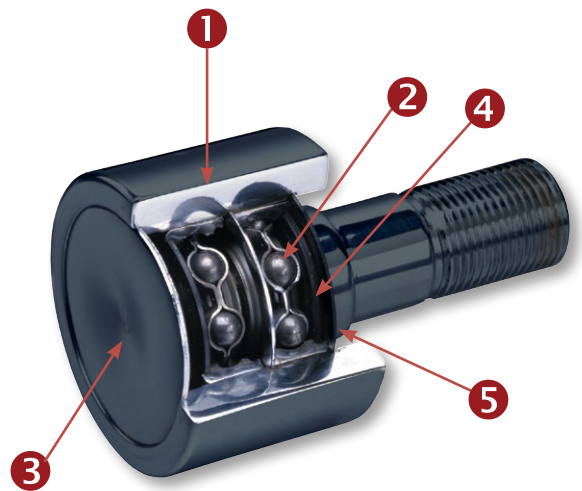
Special-Duty Cam Follower Bearings

TRAKROL bearings feature precision ball bearings or tapered roller bearings to provide long operating life under combination radial and thrust loads. Sizes 1 ½" - 2 ¾" O.D. (or point diameters on VCF Series) feature ball bearing construction. Sizes 3" - 8" O.D. feature tapered roller bearing construction.

Bearings have multiple sealing elements to help protect against dirty or contaminated environments, or where reduced maintenance is required.

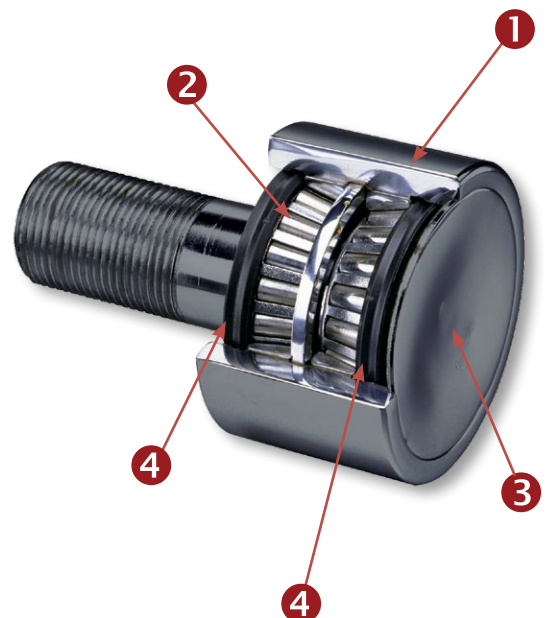
PRECISION BALL BEARING CONSTRUCTION

- 1 Heavy Walled Outer Housing**
 - Hardened to help resist wear or fracture
- 2 Precision Ball Bearing Inserts**
 - Suitable for combination radial and thrust loads
 - Large grease reservoir for long life without relubrication
- 3 Special Sealing**
 - Metal expansion plug provides extra sealing at roller face
- 4 Sealing**
 - Rubber lip seals on ball bearing inserts for protection against contaminants and grease retention
- 5 Extra Sealing**
 - Nylon labyrinth seal for added protection
 - Only from Regal Rexnord



TAPERED ROLLER BEARING CONSTRUCTION

- 1 Heavy Walled Outer Housing**
 - Hardened to help resist wear or fracture
- 2 Tapered Roller Bearing Inserts**
 - Suitable for combination radial and thrust loads
 - Large grease reservoir for long life without relubrication
- 3 Special Sealing**
 - Metal expansion plug provides extra sealing at roller face
- 4 Sealing**
 - Rubber lip seals on tapered roller bearing inserts for protection against contaminants and grease retention



TRAKROL® SPECIAL-DUTY CAM FOLLOWER BEARINGS

DESIGNED AND DEVELOPED FOR SPECIALIZED SEVERE-DUTY APPLICATIONS.

TRAKROL Bearings from Regal Rexnord are built with features and performance characteristics that are not available with needle roller type bearings. Regal Rexnord offers these special duty TRAKROL bearings in three different O.D. configurations to cover a wide variety of applications.

SELECTION GUIDE: TRAKROL vs. CAMROL® Bearings

In some applications, TRAKROL bearings offer improved performance over needle roller type CAMROL cam followers. Consider TRAKROL bearings for applications involving thrust loads, dirty environments, special roller configurations, and lubed-for-life operation.

MATCHING Bearings to Applications:

Application Considerations	CAMROL Bearing	TRAKROL Bearing
Radial Loading	Better ✓	Good
Contamination	Good	Better ✓
Running Accuracy	Better ✓	Good
Lubed-for-Life Operation	Good	Better ✓
Thrust Loading	Not Recommended	Good

TRAKROL Track Roller Popular Applications:

- Foundry Equipment
- Steel Mill Equipment
- Automotive Assembly Equipment
- Material Handling Equipment

Interchange Chart

McGill	Osborn*	PCI*
PCF -	PLR - **	PTR - **
VCF-	VLR -	VTR -
FCF-	FLR -	FTR

** Each manufacturers uses the same numbering convention i.e. a PCF-1 1/2 interchanges a PLR-1 1/2

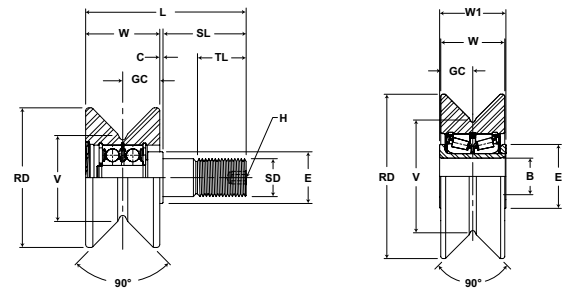
* Other manufacturers of comparable products
The following are believed to be the trademarks and/or trade names of their respective owners and are not owned or controlled by Regal Rexnord. Osborn: Jason Incorporated; PCI: Procal Innovations LLC.



VCF (V-Groove O.D.) series special-duty cam followers with V-groove

O.D.'s and integral seals

- Typically used with "V" shaped tracks
- Configuration reduces sediment build-up on tracks



BRG NO.	OUTSIDE ROLLER DIA (OD)	POINT DIA (V)	WIDTH (W)	GROOVE CENTER (C)	STUD DIA. (SD) +.000 - .001	MIN THREAD LENGTH (TL)	FINE THREADS	STUD LENGTH (SL)	HEX SOCKET (H)	SHOULDER OR ENDPLATE DIA. (E)	RADIAL BASIC DYNAMIC RATING (LBS.)	DYNAMIC THRUST LOAD ① RATING (LBS.)	MAX STATIC CAPACITY (LBS.)	BEARING TYPE	ECC	G +.000 - .010	BD +.001 - .001
VCF-2 1/2	2 1/2	1 1/2	1 5/16	11/16	.750	7/8	3/4-16	1 3/4	1/4	1	2,520	1,320	1,370	BALL	-	-	-
VCFE-2 1/2															.03	.855	1.000
VCF-3 1/2	3 1/2	2 1/4	1 11/16	7/8	.875	1 1/8	7/8-14	2	3/8	1	3,490	1,830	2,000		-	-	-
VCFE-3 1/2															.03	.980	1.187
VCF-4 1/2	4 1/2	3	2	1	1.250	1 3/4	1 1/4-12	2 1/2	7/16	1 3/4	14,300	5,790	16,000	TAPERED ROLLER	-	-	-
VCFE-4 1/2															.06	1.230	1.750
VCF-5 1/2	5 1/2	4	2	1	1.250	1 3/4	1 1/4-12	2 3/4	7/16	1 3/4	14,300	5,790	16,000		-	-	-
VCF-6 1/2	6 1/2	5	3	1 1/2	2.000	2 1/2	2-12	4 1/2	7/8	3 1/4	35,800	13,300	40,000		-	-	-
VCF-7 1/2	7 1/2	6	3	1 1/2	2.500	3 1/4	2 1/2-12	5 1/2	7/8	3 1/4	35,800	14,200	62,000	-	-	-	
VCF-8 1/2	8 1/2	7	3	1 1/2	2.500	3 1/4	2 1/2-12	5 1/2	7/8	3 1/4	35,800	14,200	62,000	-	-	-	

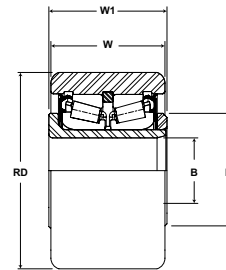
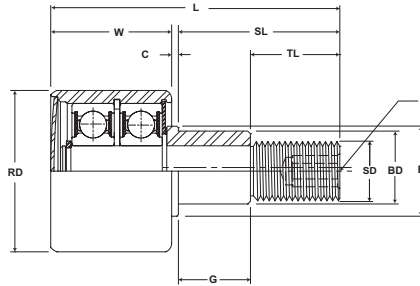
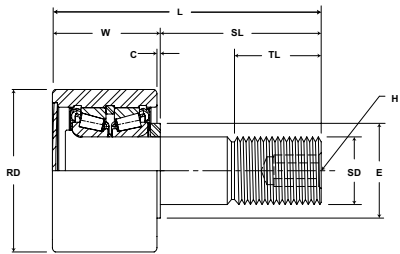
① Dynamic thrust load rating based on application of a centric, axial load. Fatigue life calculations for combined radial and thrust loading require special considerations and Regal Rexnord Application Engineering should be contacted.

BRG NO.	ROLLER DIAMETER (RD)	ROLLER WIDTH (W)	POINT DIAMETER (V)	GROOVE CENTER (GC)	BORE DIAMETER (B) +.0007 / -0	ENDPLATE EXTENSION (W1)	MIN. CLAMPING DIAMETER (E)	ROLLER DYNAMIC RATING (LBS.)	THRUST CAPACITY (LBS.) ①	STATIC RATING (LBS.)	BEARING TYPE
VCYR 4 1/2	4.50	1.75	3.00	1.00	1.0000	1.81	1.75	14,300	5,790	20,000	TAPERED ROLLER
VCYR 5 1/2	5.50	2.25	4.00	1.25	1.2500	2.31	2.25	14,300	5,790	27,100	
VCYR 6 1/2	6.50	2.75	5.00	1.75	1.7500	2.88	3.00	35,800	13,300	56,200	



PCF (Plain O.D.) series special-duty cam followers with plain O.D.'s and integral seals

- Similar to CAMROL® Cam Followers but not dimensionally interchangeable



BRG NO.	ROLLER DIA (RD)	WIDTH (W)	STUD DIA. (SD) +.000 / -.001	MIN THREAD LENGTH (TL)	FINE THREADS	STUD LENGTH (SL)	HEX SOCKET (H)	SHOULDER OR ENDPLATE DIA. (E)	RADIAL BASIC DYNAMIC RATING (LBS.)	DYNAMIC THRUST LOAD ① RATING (LBS.)	MAX STATIC CAPACITY (LBS.)	BEARING TYPE	ECC	G +.000 / -.010	BD +.001 / -.001	
PCF1 1/2	1.500	1 3/16	0.625	3/4	5/8-18	1 1/2	1/4	3/4	2,520	1,320	1,370	BALL	-	-	-	
PCFE-1 1/2													.03	.730	.875	
PCF1 3/4	1.750	1 3/16	0.750	7/8	3/4-16	1 3/4	1/4	1	2,520	1,320	1,370		-	-	-	
PCFE-1 3/4													.03	.855	1.000	
PCF2	2.000	1 11/16	0.875	1 1/8	7/8-14	2	3/8	1	3,490	1,830	2,000		-	-	-	
PCFE-2													.03	.980	1.187	
PCF2 1/4	2.250	1 11/16	0.875	1 1/8	7/8-14	2	3/8	1	3,490	1,830	2,000		-	-	-	
PCFE-2 1/4													.03	.980	1.187	
PCF2 1/2	2.500	1 11/16	1.000	1 1/2	1-14	2 1/4	7/16	1 1/4	5,120	2,680	3,120		-	-	-	
PCFE-2 1/2													.03	1.105	1.187	
PCF3	3.000	2	1.250	1 3/4	1 1/4-12	2 1/2	7/16	1 3/4	14,300	5,790	16,000		TAPERED ROLLER	-	-	-
PCFE-3														.06	1.230	1.750
PCF3 1/4	3.250	2	1.250	1 3/4	1 1/4-12	2 1/2	7/16	1 3/4	14,300	5,790	16,000	-		-	-	
PCFE-3 1/4												.06		1.230	1.750	
PCF3 1/2	3.500	2	1.250	1 3/4	1 1/4-12	2 3/4	7/16	1 3/4	14,300	5,790	16,000	-		-	-	
PCFE-3 1/2												.06		1.355	1.812	
PCF4	4.000	2	1.250	1 3/4	1 1/4-12	2 3/4	7/16	1 3/4	14,300	5,790	16,000	-		-	-	
PCFE-4												.06		1.355	1.812	
PCF4 1/2	4.500	2	1.250	1 3/4	1 1/4-12	2 3/4	7/16	1 3/4	14,300	5,790	16,000	-		-	-	
PCF5	5.000	3	2.000	2 1/2	2 1/2-12	4 1/2	7/8	3 1/4	35,800	13,300	40,000	-		-	-	
PCF6	6.000	3	2.500	3 1/4	2 1/2-12	5 1/2	7/8	3 1/4	35,800	14,200	62,000	-		-	-	
PCF7	7.000	3	2.500	3 1/4	2 1/2-12	5 1/2	7/8	3 1/4	35,800	14,200	62,000	-		-	-	
PCF8	8.000	3	2.500	3 1/4	2 1/2-12	5 1/2	7/8	3 1/4	35,800	14,200	62,000	-	-	-		

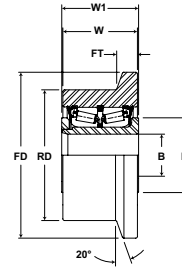
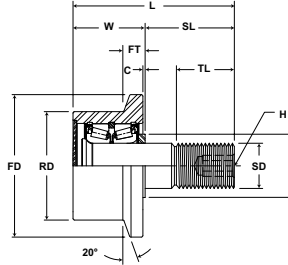
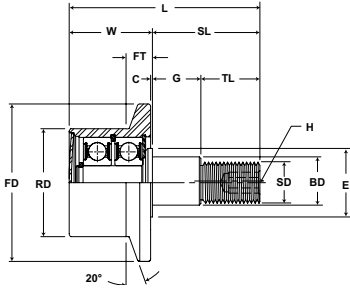
BRG NO.	ROLLER DIA (RD)	ROLLER WIDTH (W)	BORE DIA +.0007/-0 / -.002/-0	ENDPLATE EXTENSION (W1)	MIN CLAMPING DIA (E)	TRACK ROLLER DYNAMIC RATING (LBS.)	THRUST CAPACITY (LBS.) ①	TRACK ROLLER STATIC RATING (LBS.)	BEARING TYPE
PCYR 3	3.00	1.75	1.000	1.81	1.75	14,300	5,790	20,000	TAPERED ROLLER
PCYR 3 1/2	3.50	2.00	1.125	2.06	2	17,600	5,750	27,100	
PCYR 4 1/2	4.50	1.75	1.000	1.81	1.75	17,600	5,750	27,100	
PCYR 5	5.00	2.75	1.750	2.88	3	35,800	13,300	58,400	
PCYR 6	6.00	3.25	2.250	3.38	3.25	35,800	14,200	58,400	

① Dynamic thrust load rating based on application of a centric, axial load. Fatigue life calculations for combined radial and thrust loading require special considerations and Regal Rexnord Application Engineering should be contacted.



FCF (Flanged O.D.) series special-duty cam followers with flanged O.D.'s and integral seals

- Popular in side-guide applications
- Thrust load can be applied to the flange



BRG NO.	ROLLER DIA (RD)	FLANGE DIA (FD)	WIDTH (W)	FLANGE THICKNESS (FT)	STUD DIA. (SD) +.000 / -.001	MIN THREAD LENGTH (TL)	FINE THREADS	STUD LENGTH (SL)	HEX SOCKET (H)	SHOULDER OR ENDPLATE DIA. (E)	RADIAL BASIC DYNAMIC RATING (LBS.)	DYNAMIC THRUST LOAD ① (LBS.)	MAX STATIC CAPACITY (LBS.)	BEARING TYPE	ECC	G +.000 / -.010	BD +.001 / -.001
FCF-1 1/2	1.500	2 3/16	1 3/16	11/32	0.625	3/4	5/8-18	1 1/2	1/4	3/4	2,520	1,320	1,370	BALL	-	-	-
FCFE-1 1/2															.03	.730	.875
FCF-1 3/4	1.750	2 7/16	1 3/16	11/32	0.750	7/8	3/4-16	1 3/4	1/4	1	2,520	1,320	1,370		-	-	-
FCFE-1 3/4															.03	0.855	1.000
FCF-2 1/2	2.500	3 3/16	1 11/16	19/32	1.000	1 1/2	1-14	2 1/4	7/16	1 1/4	5,120	2,680	3,120		-	-	-
FCFE-2 1/2															.03	1.105	1.375
FCF-2 3/4	2.750	3 7/16	1 11/16	19/32	1.000	1 1/2	1-14	2 1/4	7/16	1 1/4	5,120	2,680	3,120		-	-	-
FCFE-2 3/4															.03	1.105	1.375
FCF-3	3.000	3 15/16	2	19/32	1.250	1 3/4	1 1/4-12	2 1/2	7/16	1 3/4	14,300	5,790	16,000	TAPERED ROLLER	-	-	-
FCFE-3															.06	1.230	1.750
FCF-3 1/4	3.250	4 3/16	2	19/32	1.250	1 3/4	1 1/4-12	2 1/2	7/16	1 3/4	14,300	5,790	16,000		-	-	-
FCFE-3 1/4															.06	1.230	1.750
FCF-3 1/2	3.500	4 7/16	2	19/32	1.250	1,750	1 1/4-12	2,750	7/16	1,750	14,300	5,790	16,000		-	-	-
FCFE-3 1/2															.06	1.355	1.812
FCF-4	4.000	4 15/16	2	19/32	1.250	1 3/4	1 1/4-12	2 3/4	7/16	1 3/4	14,300	5,790	16,000		-	-	-
FCFE-4															.06	1.355	1.812
FCF-4 1/2	4.500	5 7/16	2	19/32	1.250	1 3/4	1 1/4-12	2 3/4	7/16	1 3/4	14,300	5,790	16,000	-	-	-	
FCF-5	5.000	5 15/16	3	23/32	2.000	2 1/2	2-12	4 1/2	7/8	3 1/4	35,800	13,300	40,000	-	-	-	
FCF-6	6.000	6 15/16	3	23/32	2.500	3 1/4	2 1/2-12	5 1/2	7/8	3 1/4	35,800	14,200	62,000	-	-	-	
FCF-7	7.000	7 15/16	3	23/32	2.500	3 1/4	2 1/2-12	5 1/2	7/8	3 1/4	35,800	14,200	62,000	-	-	-	
FCF-8	8.000	8 15/16	3	23/32	2.500	3 1/4	2 1/2-12	5 1/2	7/8	3 1/4	35,800	14,200	62,000	-	-	-	

"BRG NO."	ROLLER DIAMETER (RD)	"WIDTH (W)"	FLANGE DIAMETER (FD)	FLANGE WIDTH (FT)	"BORE DIAMETER (B) +.0007 / -0	ENDPLATE EXTENSION (W1)	MIN. CLAMPING DIAMETER (E)	DYNAMIC RATING (LBS.)	THRUST CAPACITY (LBS.) ①	STATIC RATING (LBS.)	"BEARING TYPE"
FCYR 3	3.00	1.75	3.94	0.59	1.000	1.81	1.75	14,300	5,790	20,000	TAPERED ROLLER
FCYR 3 1/4	3.25	1.75	4.19	0.59	1.000	1.81	1.75	14,300	5,790	20,000	
FCYR 3 1/2	3.50	2.00	4.44	0.59	1.125	2.06	2.00	17,600	5,750	27,200	
FCYR 4	4.00	2.25	4.94	0.59	1.250	2.31	2.25	17,600	5,750	27,200	
FCYR 5	5.00	2.75	5.94	0.72	1.750	2.88	3.00	35,800	13,300	58,400	
FCYR 6	6.00	3.25	6.94	0.72	2.250	3.38	3.25	35,800	14,200	58,400	

① Dynamic thrust load rating based on application of a centric, axial load. Fatigue life calculations for combined radial and thrust loading require special considerations and Regal Rexnord Application Engineering should be contacted.

CAMROL® Cam Followers

When you want the exact cam followers for your exact needs, come to the company that invented cam followers: Regal Rexnord. Since 1937 we have expanded our line to include more off-the-shelf designs than any other manufacturer.



SPHERE-ROL® Bearings

For spherical roller bearing applications involving contamination, consider the SPHERE-ROL Bearings. Our 22200 and 22300 Series are available with optional seals and conform to industry standard bearing dimensions.

For ordering information, contact your authorized Regal Rexnord Distributor or contact Regal Rexnord customer service.
Telephone: 800-626-2010

McGILL®

**Motion Control Solutions
Regal Rexnord**

Customer Service: 800-626-2120

Technical Service: 800-626-2093

CustomerService.PTSolutions@regalrexnord.com

regalrexnord.com

The proper selection and application of products and components, including assuring that the product is safe for its intended use, are the responsibility of the customer. To view our Application Considerations, please visit <https://www.regalrexnord.com/Application-Considerations>.

To view our Standard Terms and Conditions of Sale, please visit <https://www.regalrexnord.com/Terms-and-Conditions-of-Sale> (which may redirect to other website locations based on product family).

"Regal Rexnord" is not indicative of legal entity.

Regal Rexnord, Camrol, McGill, Sphere-rol and Trakrol are trademarks of Regal Rexnord Corporation or one of its affiliated companies.

© 1998, 2022 Regal Rexnord Corporation, All Rights Reserved. MCB22059E • Form# 10209E

RegalRexnord