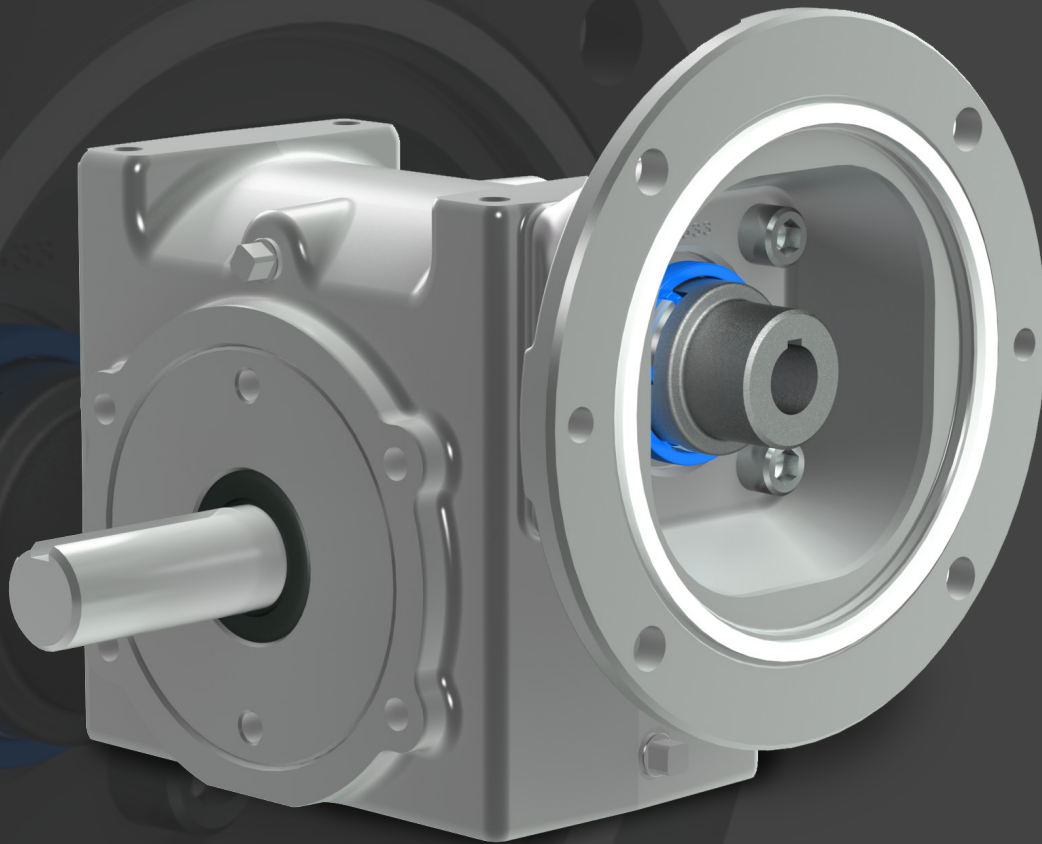




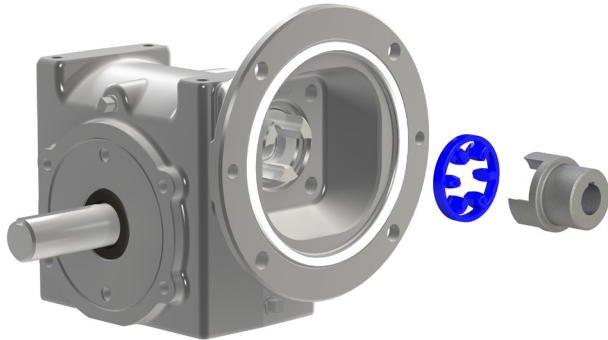
**SPEED REDUCER CATALOG**



Patent Pending

## RD SPEED REDUCER

The Winsmith RD product line offers a fret-free motor connection system that provides, quick motor replacement. The RD Speed Reducers are dimensionally interchangeable with most commonly used right-angle speed reducers and have unparalleled performance.



- **Multiple Sizes**
  - 1.33 in. -3.00 in. center distance
- **Universal Lubricant Level**
  - One level for all mounting positions
  - Mobil Glygoyle\* 460 H1 registered lubricant
- **Fret-Free Motor Connection**
  - Quick motor removal
- **Interchangeable Mounting Options**
  - Easy conversion
- **WinGuard™ 316 Stainless Epoxy Coating**
  - Stainless flake creates a corrosion barrier
  - Standard on all products
  - 1000 hour salt spray proven
- **24-Hour Ship Program**
  - Reduces downtime and inventory
- **Compact Design**
  - Performance of coupled products
  - Compactness of a quill
- **Smoother Housing**
  - Provides easy wash down

### Applications:

- Food Processing
- Processing Equipment • Material Handling

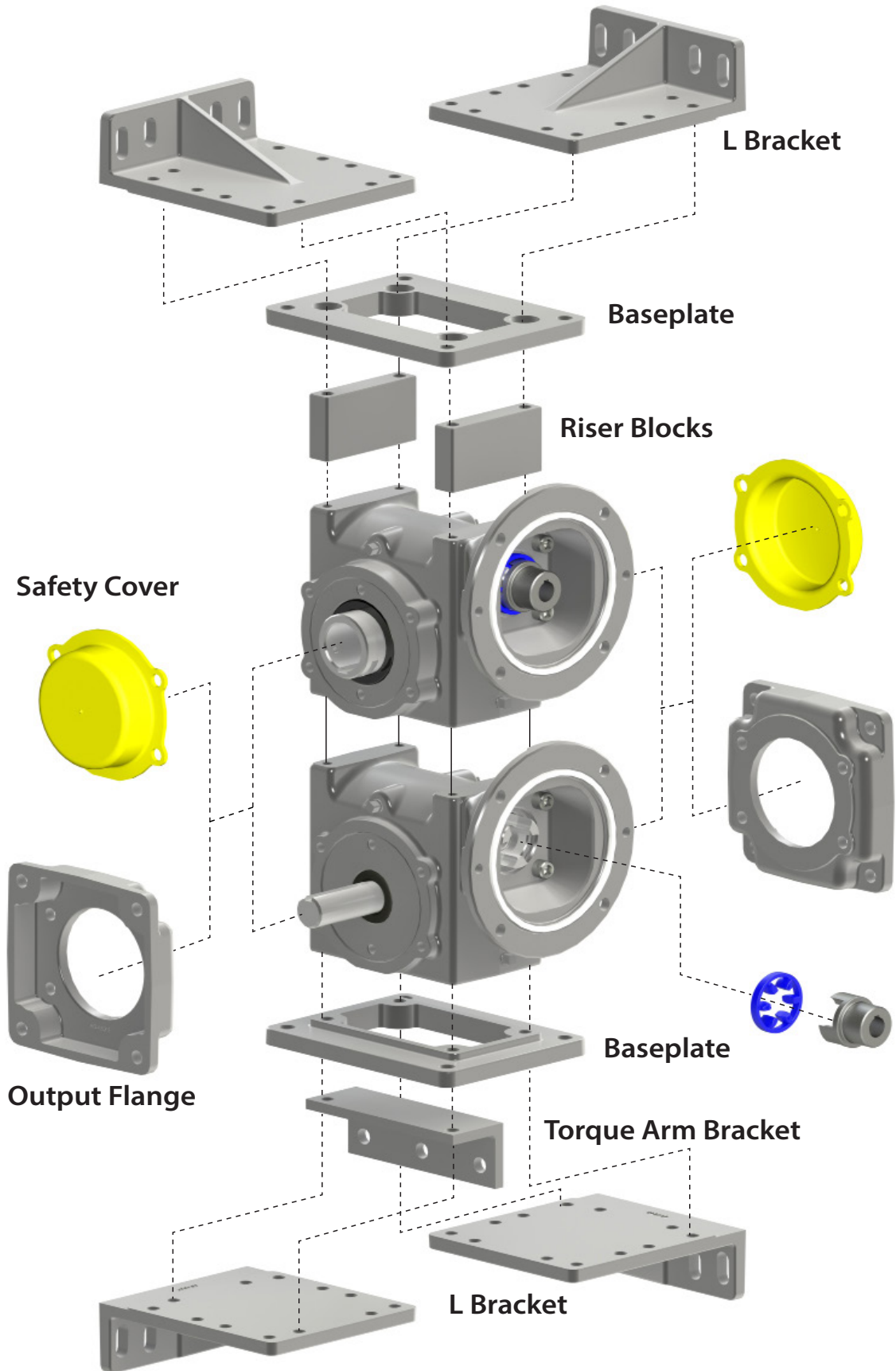


### Enhanced Protection for an Added Peace of Mind

The RD Max is offered as an upgrade to the entire RD product line providing enhanced protection in wet, corrosive wash down environments. The WinGuard™ 316 stainless epoxy coating system surpasses the ASTM B-117 1000 hour salt spray test and the addition of 316 stainless flakes delivers superior corrosion protection. Mobil Glygoyle\* 460 sets the

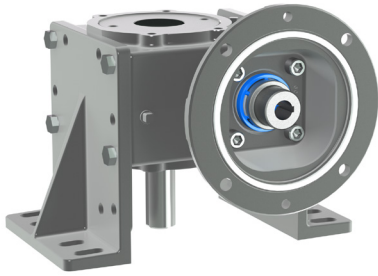
standard for efficient gearing performance and is an H1 registered lubricant suitable for food contact. The addition of x-ray and magnetically detectable food safety blue plugs, IP66 certification, a stainless steel nameplate and output shafts provides outstanding value and performance.

*Glygoyle is a registered trademark of Mobil*



# CONFIGURATIONS

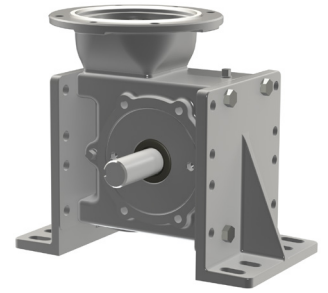
The Winsmith RD Speed Reducer is uniquely engineered with different configurations and accessories to provide you with an easily configurable product to fit your specific application.



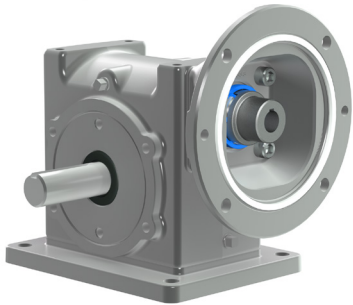
**SOLID OUTPUT WITH L BRACKET  
VERTICAL OUTPUT**



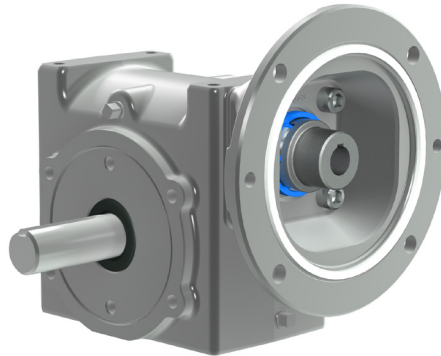
**SOLID OUTPUT WITH RISER  
BLOCK**



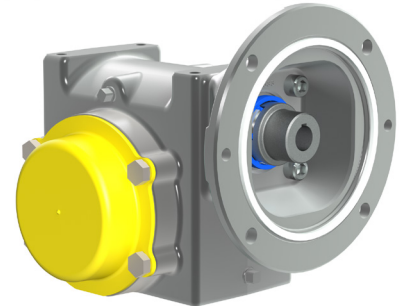
**SOLID OUTPUT WITH L BRACKET  
HORIZONTAL OUTPUT**



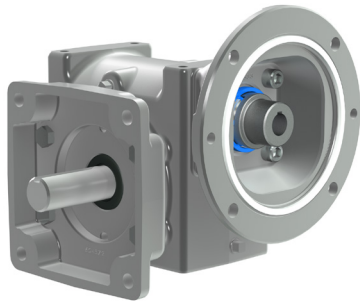
**SOLID OUTPUT WITH BASEPLATE**



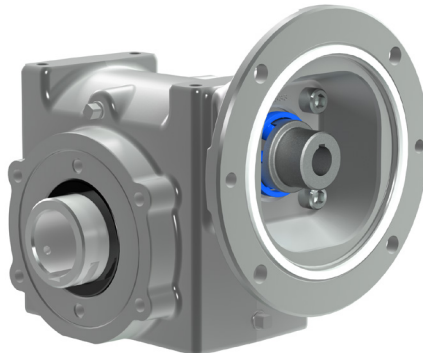
**SOLID OUTPUT**



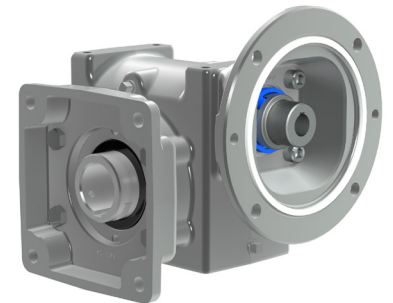
**HOLLOW OUTPUT WITH SAFETY  
COVER**



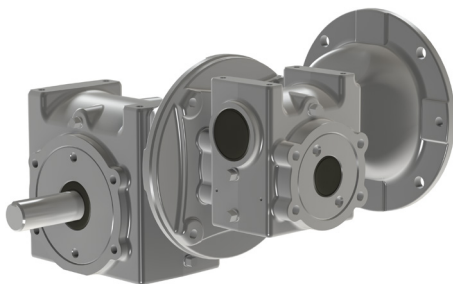
**SOLID OUTPUT WITH OUTPUT  
FLANGE**



**HOLLOW OUTPUT**



**HOLLOW OUTPUT WITH OUTPUT  
FLANGE**



**DOUBLE REDUCTION**



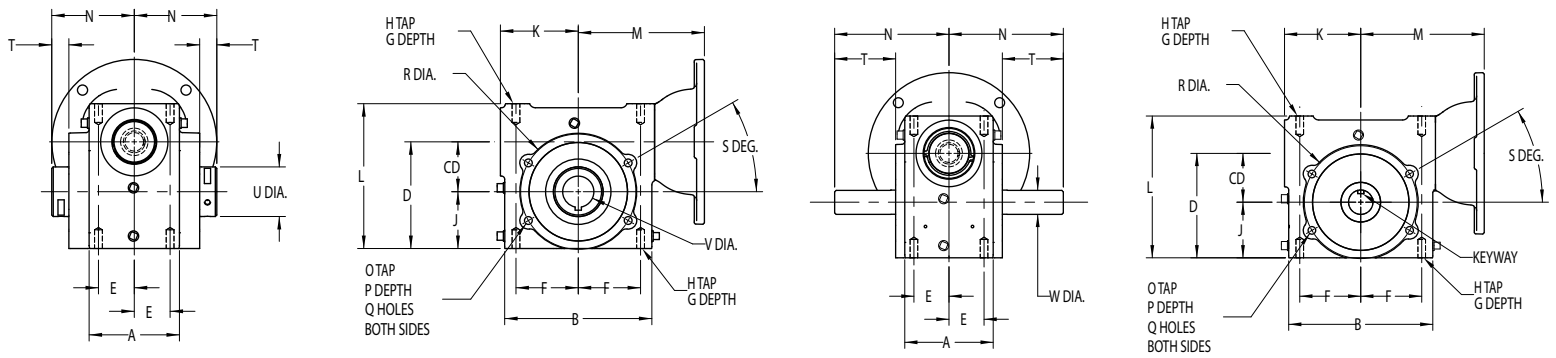
**HOLLOW OUTPUT WITH TORQUE ARM KIT**



**HOLLOW OUTPUT WITH  
TORQUE ARM BRACKET**



# PRODUCT DIMENSIONS



## Hollow Output

DIM. (in.)	CENTER DISTANCE				
	1.75	2.00	2.38	2.63	3.00
A	3.63		4.00	4.25	5.00
B	5.09	5.91	6.10	7.36	8.13
D	3.74	4.28	4.88	5.56	6.25
E	1.38	1.44		1.69	2.00
F	2.09	2.50		3.19	3.50
H TAP	5/16-18		3/8-16		7/16-14
G DEPTH	0.63		0.75		0.88
J	1.99	2.28	2.50	2.94	3.25
K	3.00	3.13	3.62	3.88	4.19
L	5.25	5.81	6.81	7.50	8.25
M	SEE INPUT ADAPTER SECTION FOR DETAILS				
N	3.13	3.31	3.44	3.50	3.69
O	3/8-16				
P	0.63				
Q	4		6		
R	4.25	4.63	5.13	6.00	6.44
S	30		60		
T	0.69		0.75	0.81	1.00
U	1.50	2.00	2.25	2.50	2.63
V	SEE PAGE 6 FOR BORE DIAMETERS.				

## Solid Output

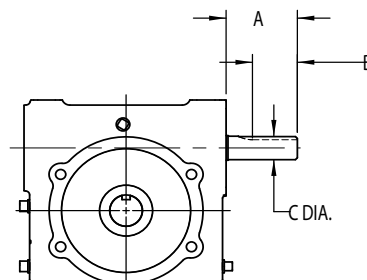
DIM. (in.)	CENTER DISTANCE					
	1.33	1.75	2.00	2.38	2.63	3.00
A	2.63	3.63		4.00	4.25	5.00
B	3.94	5.09	5.91	6.10	7.36	8.13
D	3.05	3.74	4.28	4.88	5.56	6.25
E	1.00	1.38	1.44		1.69	2.00
F	1.63	2.09	2.50		3.19	3.50
H TAP	5/16-18		3/8-16		7/16-14	
G DEPTH	0.56	0.63		0.75		0.88
J	1.72	1.99	2.28	2.50	2.94	3.25
K	2.25	3.00	3.13	3.62	3.88	4.19
L	4.63	5.25	5.81	6.81	7.50	8.25
M	SEE PAGE 6 FOR DETAILS					
N	4.0	4.31	4.69	5.14	5.63	6.75
O	3/18-16					
P	0.63					
Q	4			6		
R	3.31	4.25	4.63	5.13	6.00	6.44
S	30			60		
T	2.06	2.00	2.50	2.33	2.81	3.75
W*	0.625	0.875	1.000	1.125		1.250
KEYWAY	3/16 x 3/32			1/4 x 1/8		
KEYWAY LENGTH	1.38		1.81	1.50	2.00	2.50

\* Shaft diameter tolerances +0.001/ -0.001

## Solid Shaft Input

DIM. (in.)	CENTER DISTANCE					
	1.33	1.75	2.00	2.38	2.63	3.00
A	2.00	1.81	2.18	2.69		3.00
B	1.25		1.38	1.94		
C*	0.625	0.750		1.000		
KEYWAY	3/16 X 3/32			1/4 X 1/8		

\* Shaft diameter tolerances +0.0001/ -0.001



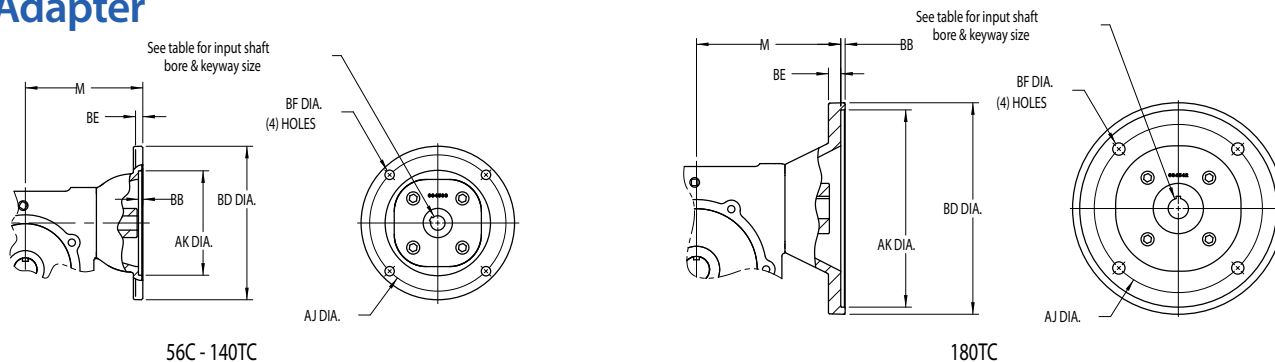
# PRODUCT DIMENSIONS

## HOLLOW OUTPUT SHAFT BORE AVAILABILITY BY CENTER DISTANCE

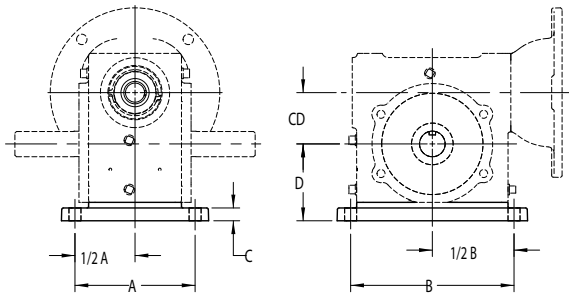
DIM. (in.)			1.75		2.00		2.38		2.63		3.00	
Bore (V)	Keyway		Machined	Bushed	Machined	Bushed	Machined	Bushed	Machined	Bushed	Machined	Bushed
0.625	5/8	3/16 x 3/32	●	■								
0.750	3/4	3/16 x 3/32	●	■		■						
0.875	7/8	3/16 x 3/32		■								
0.938	15/16	1/4 x 1/8	●			■						
1.000	1	1/4 x 1/8	●		●	■	●	■	●	■		
1.063	1-1/16	1/4 x 1/8						■		■		
1.125	1-1/8	1/4 x 1/8			●	■	●	■		■		
1.188	1-3/16	1/4 x 1/8			●	■	●	■	●	■		■
1.250	1-1/4	1/4 x 1/8			●	■	●	■	●	■	●	■
1.313	1-5/16	5/16 x 5/32						■		■		
1.375	1-3/8	5/16 x 5/32								■		■
*1.438	1-7/16	3/8 x 3/16			●		●		●	■	●	■
1.500	1-1/2	3/8 x 3/16					●		●	■	●	■
1.625	1-5/8	3/8 x 3/16							●			■
1.688	1-11/16	3/8 x 3/16							●			■
1.750	1-3/4	3/8 x 3/16									●	■
1.875	1-7/8	1/2 x 1/4									●	
1.938	1-15/16	1/2 x 3/16									●	
2.000	2	1/2 x 3/32									●	

\* Bore size 1.438 on size U20: keyway is 3/8 x 1/8, bore tolerances +0.002/-0.000

## Motor Adapter

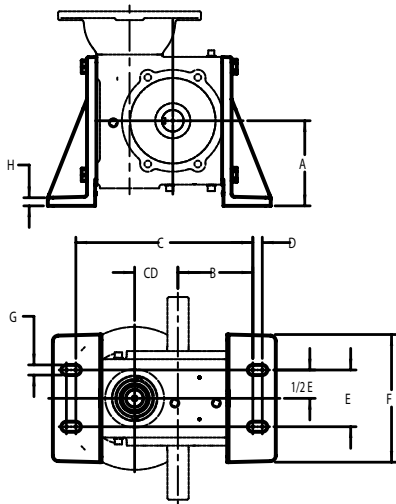


DIM. (in.)	CENTER DISTANCE													
	1.33		1.75		2.00		2.38		2.63			3.00		
	56C	56C	140TC	56C	140TC	56C	140TC	180TC	56C	140TC	180TC	56C	140TC	180TC
M	4.38		4.94		5.06		5.50	6.02	5.70	6.22		6.05		6.56
AJ					5.88			7.25	5.88	7.25		5.88		7.25
AK					4.50			8.50	4.50	8.50		4.50		8.50
BB								0.19						
BD					6.63			9.13	6.63	9.13		6.63		9.13
BE					0.31			0.38	0.31	0.38		0.31		0.38
BF					0.406			0.531	0.406	0.531		0.406		0.531
KEYWAY					3/16 X 3/32			1/4 X 1/8	3/16 X 3/32	1/4 X 1/8		3/16 X 3/32		1/4 X 1/8
BORE .001/.000	0.626		0.876	0.626	0.876	0.626	0.876	1.126	0.626	0.876	1.126	0.626	0.876	1.126



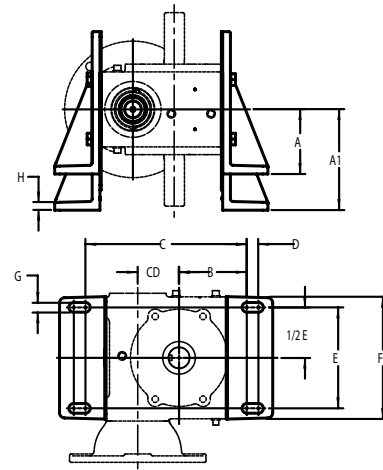
## Baseplate

DIM. (in.)	CENTER DISTANCE					
	1.33	1.75	2.00	2.38	2.63	3.00
A	3.31	4.50	4.69	4.88	5.25	5.88
B	4.38	5.75	6.38	7.06	8.00	8.44
C	0.53	0.50				
D	2.25	2.74	3.06	3.25	3.69	4.00
KIT #	152012	152013	152014	152015	152016	152017



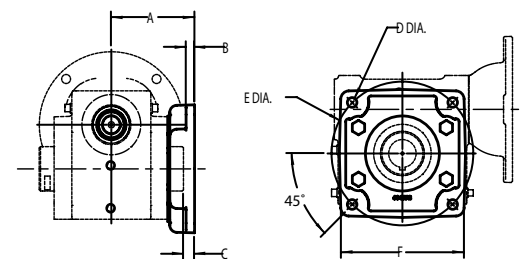
## L Bracket Vertical Input

DIM. (in.)	CENTER DISTANCE					
	1.33	1.75	2.00	2.38	2.63	3.00
A	2.94	3.50	3.94	4.06	4.75	5.63
B	2.75	3.00	3.28	3.63	4.13	4.75
C	6.44	7.27	7.81	9.06	9.88	11.25
D	NA	0.36	0.44	0.13	0.50	0.63
E	2.00	2.50	2.63	2.50	3.13	4.00
F	4.00	5.09	5.91	6.00	7.38	8.00
G	0.344	0.406	0.469		0.531	0.563
H	0.25		0.38		0.50	
KIT #	152044	152045	152046	152047	152048	152049



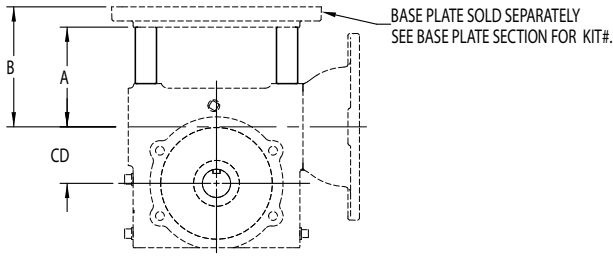
## L Bracket Horizontal Input

DIM. (in.)	CENTER DISTANCE					
	1.33	1.75	2.00	2.38	2.63	3.00
A	2.31	3.00	3.13	3.38	3.63	3.94
A1	3.56	4.38	4.88	5.25	5.59	5.88
B	2.75	2.88	3.47	3.50	4.00	4.38
C	6.44	7.02	8.19	8.81	9.63	10.5
D	NA	0.36	0.56	0.13	0.5	0.63
E	3.25	4.19	4.88	4.88	5.75	6.00
F	4.00	5.09	5.91	6.00	7.38	8.00
G	0.344	0.406	0.469		0.531	0.563
H	0.25		0.38		0.50	
KIT #	152044	152045	152046	152047	152048	152049



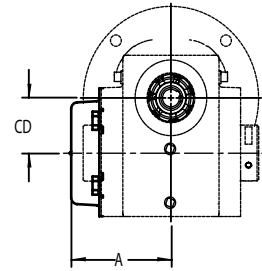
## Output Flange

DIM. (in.)	CENTER DISTANCE					
	1.33	1.75	2.00	2.38	2.63	3.00
A	2.50	3.63	3.81	3.94	4.00	4.22
B	0.31	0.38				0.50
C	NA	0.50				0.53
D	0.38	0.44				0.56
E	5.00	5.88	6.50	7.50	8.00	9.00
F	4.33	5.13	5.77	6.81	7.56	8.20
KIT #	152050	152029	152030	152031	152032	152033



## Riser Block (2 Piece)

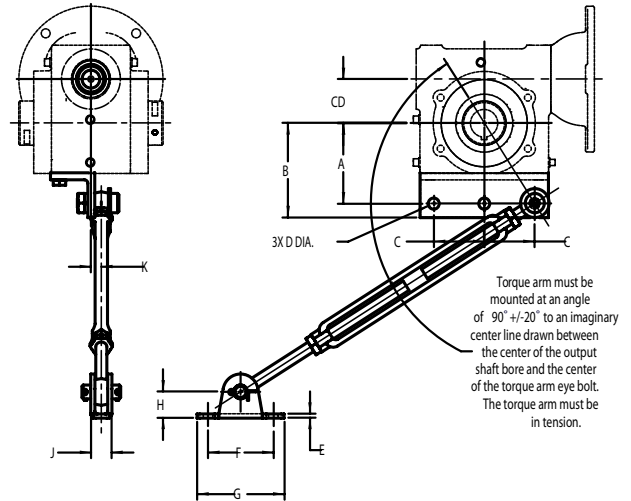
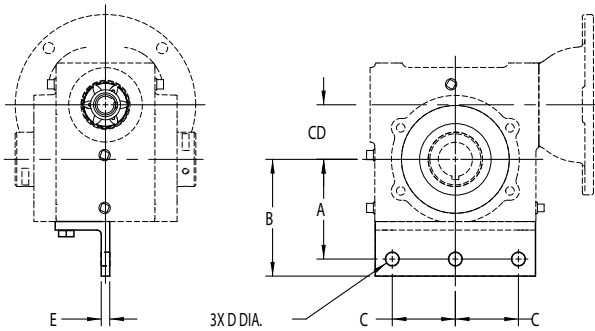
DIM. (in.)	CENTER DISTANCE					
	1.33	1.75	2.00	2.38	2.63	3.00
A	3.51	3.50	3.53	4.68	4.88	5.50
B	4.04	4.25	5.00	5.44	5.63	6.25
KIT #	152023	152024	152025	152026	152027	152028



## Safety Cover\*

DIM. (in.)	CENTER DISTANCE				
	1.75	2.00	2.38	2.63	3.00
A	3.44	3.75	3.88	3.81	
KIT #	152018	152019	152020	152021	152022

\* Not available in 1.33" center distance.



## Torque Arm Bracket

DIM. (in.)	CENTER DISTANCE				
	1.75	2.00	2.38	2.63	3.00
A	3.37	3.66	3.88	4.31	4.63
B	3.99	4.28	4.50	4.94	5.25
C	1.88	2.31	2.38	3.00	3.25
D	0.50				
E	0.31				
KIT #	152034	152035	152036	152037	152038

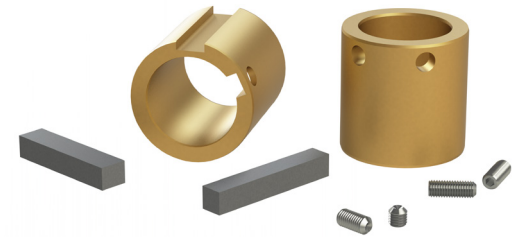
## Torque Arm Bracket & Turnbuckle

DIM. (in.)	CENTER DISTANCE				
	1.75	2.00	2.38	2.63	3.00
A	3.37	3.66	3.88	4.31	4.63
B	3.99	4.28	4.50	4.94	5.25
C	1.88	2.31	2.38	3.00	3.25
D	0.50				
E	0.19				
F	3.00				
G	4.00				
H	1.19				
J	0.75				
K	0.48				
KIT #	152039	152040	152041	152042	152043



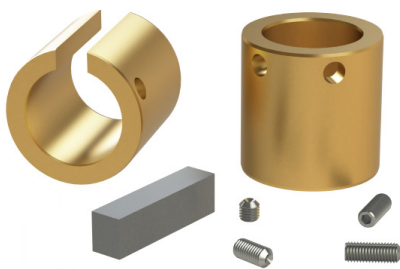
## Bushing Kit

Center Dist.	Bushing ID		Bushing Length	Driven Shaft Keyway	Kit Type	Kit #
1.75	0.625	5/8	1.50	3/16 x 3/32	Slotted	WKE850578
	0.750	3/4				WKE850579
	0.875	7/8				WKE850783
2.00	0.750	3/4	1.75	1/4 x 1/8	Keyed	WKE850638
	0.938	15/16				WKE850785
	1.000	1				WKE850468
	1.125	1-1/8			WKE850660	
	1.188	1-3/16			WKE850625	
	1.250	1-1/4			WKE850469	
2.38	1.000	1	1.75	5/16 x 5/32	Slotted	WKE850653
	1.063	1-1/16				WKE850786
	1.125	1-1/8				WKE850661
	1.188	1-3/16				WKE850662
	1.250	1-1/4				WKE850470
	1.313	1-5/16				WKE850787



Keyed Bushing Kit

## Bushing Kit



Slotted Bushing Kit

Center Dist.	Bushing ID		Bushing Length	Driven Shaft Keyway	Kit Type	Kit #
2.63	1.000	1	1.75	1/4 x 1/8	Keyed	WKE850627
	1.063	1-1/16				WKE850788
	1.125	1-1/8				WKE877792
	1.188	1-3/16		5/16 x 5/32	Slotted	WKE850634
	1.250	1-1/4				WKE850479
	1.313	1-5/16				WKE850789
	1.375	1-3/8				WKE850664
	1.438	1-7/16				WKE850472
	1.500	1-1/2				WKE850473
3.00	1.188	1-3/16	2.00	1/4 x 1/8	Keyed	WKE850790
	1.250	1-1/4		WKE850481		
	1.375	1-3/8		5/16 x 5/32	Slotted	WKE850665
	1.438	1-7/16		3/8 x 3/16		WKE850474
	1.500	1-1/2				WKE850637
	1.625	1-5/8				WKE850791
	1.688	1-11/16		WKE850475		
	1.750	1-3/4		WKE850666		

# THE RD GUARANTEE

Winsmith will guarantee shipment for up to 5 of any standard RD conguration by the end of the next business day or the order is on us. \* Orders must be placed by 3:00 PM EST on the prior business day. Send orders to [orders@winsmith.com](mailto:orders@winsmith.com) with the "The RD Guarantee" in the header of your email.

## The RD Guarantee

Get the Right Drive Now or it's Free.

CONFIGURATIONS																					
Center Dist.	Input Type			Solid Shaft Output Dia.	Hollow Shaft Bore Size																
	56C	140TC	180TC		0.750	0.875	0.938	1.000	1.063	1.125	1.188	1.250	1.313	1.375	1.438	1.500	1.625	1.688	1.750	1.875	1.938
1.33	•			0.63																	
1.75	•	•		0.88	■	■	●	●													
2.00	•	•		1.00	■		■	■	■	■	■	■		●							
2.38	•	•	•	1.13			■	■	■	■	■	■	■		●	●					
2.63	•	•	•	1.13			■	■	■	■	■	■	■	■	■	■	●	●			
3.00	•	•	•	1.25						■	■		■	■	■	■	■	■	■	■	■

\* Bronze output bushings are available for most center distances. See page 9 for more details.

ACCESSORIES
Baseplate
L Bracket
Output Flange
Safety Cover
Torque Arm Bracket
Torque Arm Bracket & Turnbuckle

RATIOS
5:1
10:1
15:1
20:1
25:1
30:1
40:1
50:1
60:1

RATIO MULTIPLIERS
Double Driver
Helical Primary

\*Winsmith is not responsible for shipment delays due to any carrier issues. All "The RD Guarantee" orders will ship within the next business day from order placement, holidays and weekends excluded.

1750 INPUT SPEED

SPEED REDUCER SELECTION BY CENTER DISTANCE & RATIO												
Output RPM	Ratio	Motor Input Horsepower										
		1/4 HP	1/3 HP	1/2 HP	3/4 HP	1 HP	1 1/2 HP	2 HP	3 HP	5 HP	7 1/2 HP	10 HP
350	5	1.33	1.33	1.33	1.33	1.33	1.75	1.75	2.00	2.63	2.63	3.00
233	7.5	1.33	1.33	1.33	1.33	1.33	1.75	1.75	2.38	2.63	3.00	
175	10	1.33	1.33	1.33	1.33	1.75	1.75	2.00	2.38	3.00		
117	15	1.33	1.33	1.33	1.75	1.75	2.00	2.38	2.63	3.00		
88	20	1.33	1.33	1.75	1.75	2.00	2.38	2.38	3.00			
70	25	1.33	1.33	1.75	2.00	2.00	2.38	2.63	3.00			
58	30	1.33	1.33	1.75	2.00	2.38	2.63	3.00				
44	40	1.33	1.75	1.75	2.38	2.38	3.00	3.00				
35	50	1.75	1.75	2.00	2.38	2.63	3.00					
29	60	1.75	2.00	2.38	2.63	3.00						
22	80	2.38	2.38	2.63								
18	100	2.38	2.63									

1750 INPUT SPEED

MECHANICAL RATINGS BY CENTER DISTANCE & RATIO														
Center Dist.	Ratio (Nominal)	5	7.5	10	15	20	25	30	40	50	60	80	100	
	Output RPM	350	233	175	117	88	70	58	44	35	29	22	18	
1.33	Input HP	1.39	1.05	0.86	0.62	0.42	0.41	0.35	0.27	0.17	0.15	NA	NA	
	Output Torque (lbf.-in.)	238	266	284	295	257	304	293	276	213	202	NA	NA	
	Efficiency %	95	93	91	88	85	82	78	72	68	64	NA	NA	
	Overhung Load (lbf.)*	261	261	261	261	261	261	261	261	261	261	261	NA	NA
1.75	Input HP	2.69	2.06	1.64	1.15	0.94	0.70	0.66	0.52	0.41	0.27	0.16	0.11	
	Output Torque (lbf.-in.)	462	525	554	568	604	547	596	603	558	417	311	236	
	Efficiency %	95	94	94	91	89	87	84	80	76	72	64	59	
	OHL Solid (lbf.)*	625	625	625	625	625	625	625	625	625	625	625	625	625
	OHL Hollow (lbf.)*	700	700	700	700	700	700	700	700	700	700	700	700	700
2.00	Input HP	3.70	2.84	2.24	1.59	1.24	1.01	0.86	0.68	0.56	0.41	0.22	0.16	
	Output Torque (lbf.-in.)	639	732	769	794	806	803	788	795	791	656	437	355	
	Efficiency %	96	95	95	92	90	88	85	82	79	74	67	61	
	OHL Solid (lbf.)*	488	563	638	768	858	858	858	858	858	858	858	858	858
	OHL Hollow (lbf.)*	1353	1353	1353	1353	1353	1353	1353	1353	1353	1353	1353	1353	1353
2.38	Input HP	5.89	4.54	3.67	2.71	2.11	1.61	1.45	1.11	0.92	0.70	0.38	0.27	
	Output Torque (lbf.-in.)	1017	1168	1249	1359	1383	1285	1360	1335	1329	1134	735	576	
	Efficiency %	96	95	95	93	91	88	87	83	80	75	66	59	
	OHL Solid (lbf.)*	1159	1159	1159	1159	1159	1159	1159	1159	1159	1159	1159	1159	1159
	OHL Hollow (lbf.)*	1414	1414	1414	1414	1414	1414	1414	1414	1414	1414	1414	1414	1414
2.63	Input HP	7.70	5.93	4.82	3.42	2.64	2.17	1.80	1.42	1.18	0.92	0.49	0.34	
	Output Torque (lbf.-in.)	1334	1533	1650	1724	1745	1758	1712	1737	1748	1556	979	767	
	Efficiency %	96	96	95	93	92	90	88	85	82	78	70	63	
	OHL Solid (lbf.)*	1159	1159	1159	1159	1159	1159	1159	1159	1159	1159	1159	1159	1159
	OHL Hollow (lbf.)*	1633	1861	1895	1895	1895	1895	1895	1895	1895	1895	1895	1895	1895
3.00	Input HP	10.87	8.59	7.11	5.07	3.95	3.24	2.67	2.08	1.72	1.34	0.71	0.48	
	Output Torque (lbf.-in.)	1886	2232	2448	2578	2645	2676	2586	2617	2643	2367	1478	1160	
	Efficiency %	96	96	96	94	93	92	90	87	85	82	73	67	
	OHL Solid (lbf.)*	1132	1291	1406	1406	1406	1406	1406	1406	1406	1406	1406	1406	1406
	OHL Hollow (lbf.)*	1699	1929	2125	2505	2785	2793	2793	2793	2793	2793	2793	2793	2793

\*Overhung load is given at a distance equal to one shaft diameter from the face of the output seal.

**MECHANICAL RATINGS BY CENTER DISTANCE & RATIO**

**1160 INPUT SPEED**

Center Dist.	Ratio (Nominal)	5	7.5	10	15	20	25	30	40	50	60	80	100
	Output RPM	232	155	116	77	58	46	39	29	23	19	15	12
1.33	Input HP	1.06	0.78	0.65	0.48	0.30	0.31	0.27	0.18	0.13	0.11	NA	NA
	Output Torque (lbf.-in.)	276	301	320	342	271	345	341	291	237	224	NA	NA
	Efficiency %	96	94	91	87	84	82	78	73	69	64	NA	NA
	OHL Solid (lbf.)*	261	261	261	261	261	261	261	261	261	261	261	NA
1.75	Input HP	2.16	1.58	1.24	0.78	0.67	0.47	0.48	0.39	0.28	0.19	0.12	0.08
	Output Torque (lbf.-in.)	562	610	632	571	645	554	660	676	564	435	346	257
	Efficiency %	96	95	93	90	88	86	84	80	75	72	64	59
	OHL Solid (lbf.)*	625	625	625	625	625	625	625	625	625	625	625	625
2.00	Input HP	2.85	2.18	1.68	1.06	0.91	0.73	0.66	0.51	0.41	0.27	0.16	0.12
	Output Torque (lbf.-in.)	743	849	863	788	891	865	920	920	882	660	486	394
	Efficiency %	96	95	94	91	90	88	86	82	79	74	67	62
	OHL Solid (lbf.)*	546	632	722	858	858	858	858	858	858	858	858	858
2.38	Input HP	4.81	3.64	2.55	1.81	1.60	1.05	0.94	0.73	0.63	0.46	0.29	0.20
	Output Torque (lbf.-in.)	1263	1431	1321	1376	1611	1280	1350	1333	1421	1138	837	654
	Efficiency %	97	96	95	93	93	89	88	85	83	77	67	60
	OHL Solid (lbf.)*	1159	1159	1159	1159	1159	1159	1159	1159	1159	1159	1159	1159
2.63	Input HP	4.81	3.64	2.55	1.81	1.60	1.05	0.94	0.73	0.63	0.46	0.29	0.20
	Output Torque (lbf.-in.)	1263	1431	1321	1376	1611	1280	1350	1333	1421	1138	837	654
	Efficiency %	97	96	95	93	93	89	88	85	83	77	67	60
	OHL Solid (lbf.)*	1159	1159	1159	1159	1159	1159	1159	1159	1159	1159	1159	1159
2.63	HP	5.96	4.67	3.41	2.41	1.76	1.43	1.28	1.06	0.84	0.60	0.37	0.25
	Output Torque (lbf.-in.)	1567	1836	1770	1847	1764	1762	1864	2028	1932	1562	1126	880
	Efficiency %	97	97	96	94	92	91	89	88	85	80	69	64
	OHL Solid (lbf.)*	1159	1159	1159	1159	1159	1159	1159	1159	1159	1159	1159	1159
3.00	Input HP	8.75	7.11	5.31	3.35	2.70	2.19	1.95	1.59	1.29	0.88	0.54	0.37
	Output Torque (lbf.-in.)	2303	2802	2768	2580	2745	2749	2891	3101	3057	2381	1735	1356
	Efficiency %	97	97	96	94	93	92	91	90	87	83	74	67
	OHL Solid (lbf.)*	1247	1406	1406	1406	1406	1406	1406	1406	1406	1406	1406	1406
3.00	Input HP	8.75	7.11	5.31	3.35	2.70	2.19	1.95	1.59	1.29	0.88	0.54	0.37
	Output Torque (lbf.-in.)	2303	2802	2768	2580	2745	2749	2891	3101	3057	2381	1735	1356
	Efficiency %	97	97	96	94	93	92	91	90	87	83	74	67
	OHL Hollow (lbf.)*	1889	2133	2405	2793	2793	2793	2793	2793	2793	2793	2793	2793

**MECHANICAL RATINGS BY CENTER DISTANCE & RATIO**

**870 INPUT SPEED**

Center Dist.	Ratio (Nominal)	5	7.5	10	15	20	25	30	40	50	60	80	100
	Output RPM	174	116	87	58	44	35	29	22	17	15	11	9
1.33	Input HP	0.87	0.63	0.51	0.38	0.23	0.24	0.21	0.14	0.10	0.08	NA	NA
	Output Torque (lbf.-in.)	297	319	339	362	277	364	372	297	250	236	NA	NA
	Efficiency %	95	93	92	89	84	82	80	73	69	64	NA	NA
	OHL Solid (lbf.)*	261	261	261	261	261	261	261	261	261	261	261	NA
1.75	Input HP	1.78	1.27	0.93	0.58	0.50	0.36	0.36	0.30	0.21	0.15	0.10	0.06
	Output Torque (lbf.-in.)	619	656	635	571	647	555	659	716	565	459	364	268
	Efficiency %	96	95	94	91	89	85	85	82	75	71	63	59
	OHL Solid (lbf.)*	625	625	625	625	625	625	625	625	625	625	625	625
1.75	Input HP	1.78	1.27	0.93	0.58	0.50	0.36	0.36	0.30	0.21	0.15	0.10	0.06
	Output Torque (lbf.-in.)	619	656	635	571	647	555	659	716	565	459	364	268
	Efficiency %	96	95	94	91	89	85	85	82	75	71	63	59
	OHL Hollow (lbf.)*	700	700	700	700	700	700	700	700	700	700	700	700

Continued on next page

\*Overhung load is given at a distance equal to one shaft diameter from the face of the output seal.





**MECHANICAL RATINGS BY CENTER DISTANCE & RATIO**

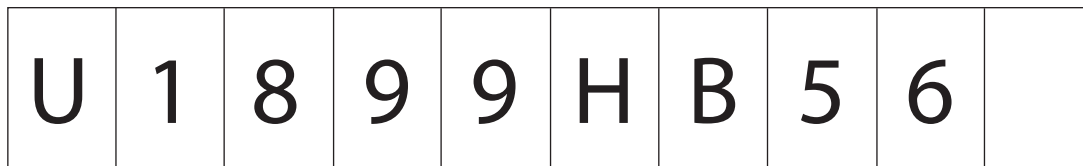
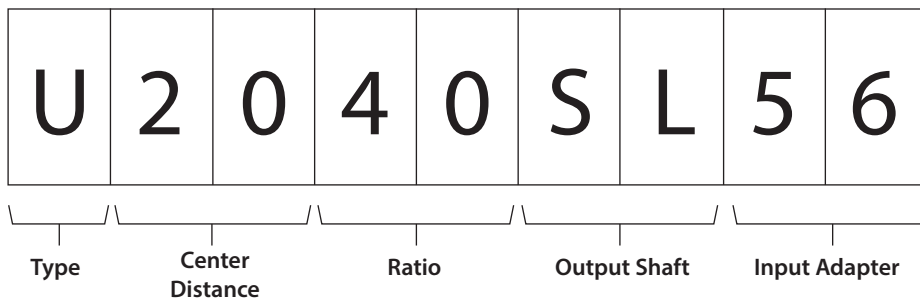
3.00	Input HP	3.39	4.69	2.77	1.92	1.44	1.15	1.05	0.87	0.70	0.49	0.32	0.22	
	Output Torque (lbf.-in.)	3395	3575	2779	2851	2831	2780	2936	3133	3047	2490	2019	1573	
	Efficiency %	95	97	95	94	93	92	89	85	83	80	76	70	
	OHL solid (lbf.)*	1406	1406	1406	1406	1406	1406	1406	1406	1406	1406	1406	1406	1406
	OHL hollow (lbf.)*	2281	2569	2793	2793	2793	2793	2793	2793	2793	2793	2793	2793	2793

**MECHANICAL RATINGS BY CENTER DISTANCE & RATIO**

Center Dist.	Ratio (Nominal)	5	7.5	10	15	20	25	30	40	50	60	80	100
	Output RPM	60	40	30	20	13	12	10	8	6	5	4	3
1.33	HP	0.34	0.24	0.20	0.14	0.08	0.09	0.08	0.05	0.04	0.03	NA	NA
	Output Torque (lbf.-in.)	344	360	381	390	290	384	391	294	273	239	NA	NA
	Efficiency %	96	95	92	88	85	82	78	75	70	64	NA	NA
	OHL solid (lbf.)*	261	261	261	261	261	261	261	261	261	261	261	NA
1.75	Input HP	0.74	0.44	0.32	0.20	0.17	0.13	0.13	0.11	0.07	0.06	0.04	0.02
	Output Torque (lbf.-in.)	749	666	627	580	644	566	658	719	567	509	403	292
	Efficiency %	97	96	94	91	89	86	83	79	76	73	63	59
	OHL solid (lbf.)*	625	625	625	625	625	625	625	625	625	625	625	625
2.00	OHL hollow (lbf.)*	700	700	700	700	700	700	700	700	700	700	700	700
	HP	1.09	0.72	0.43	0.29	0.24	0.19	0.21	0.15	0.11	0.08	0.05	0.04
	Output Torque (lbf.-in.)	1111	1088	859	855	891	876	1083	993	891	745	568	459
	Efficiency %	97	96	95	92	90	88	84	80	78	75	67	62
2.38	OHL solid (lbf.)*	822	858	858	858	858	858	858	858	858	858	858	858
	OHL hollow (lbf.)*	1353	1353	1353	1353	1353	1353	1353	1353	1353	1353	1353	1353
	Input HP	1.73	1.12	0.68	0.50	0.39	0.31	0.28	0.21	0.17	0.13	0.08	0.06
	Output Torque (lbf.-in.)	1754	1689	1353	1461	1467	1412	1498	1430	1422	1252	988	788
2.63	Efficiency %	97	96	95	92	90	88	84	81	78	75	70	64
	OHL solid (lbf.)*	1159	1159	1159	1159	1159	1159	1159	1159	1159	1159	1159	1159
	OHL hollow (lbf.)*	1414	1414	1414	1414	1414	1414	1414	1414	1414	1414	1414	1414
	HP	2.30	1.68	0.95	0.68	0.52	0.41	0.38	0.29	0.23	0.18	0.11	0.08
3.00	Output Torque (lbf.-in.)	2330	2546	1888	1999	1968	1920	2055	2019	1934	1710	1380	1073
	Efficiency %	96	96	94	93	91	89	85	82	79	77	72	67
	OHL solid (lbf.)*	1159	1159	1159	1159	1159	1159	1159	1159	1159	1159	1159	1159
	OHL hollow (lbf.)*	1895	1895	1895	1895	1895	1895	1895	1895	1895	1895	1895	1895
3.00	Input HP	3.39	2.80	1.51	1.09	0.81	0.65	0.60	0.45	0.36	0.28	0.17	0.12
	Output Torque (lbf.-in.)	3395	4192	2949	3166	3116	3042	3250	3132	3067	2712	2050	1696
	Efficiency %	95	95	93	92	91	90	86	83	80	78	73	69
	OHL solid (lbf.)*	1406	1406	1406	1406	1406	1406	1406	1406	1406	1406	1406	1406
OHL hollow (lbf.)*	2793	2793	2793	2793	2793	2793	2793	2793	2793	2793	2793	2793	2793

300 INPUT SPEED

\*Overhung load is given at a distance equal to one shaft diameter from the face of the output seal.



TYPE	
CODE	DESCRIPTION
U	RD
M	RD MAX

CENTER DISTANCE	
CODE	CTR. DIST.
13	1.33
18	1.75
20	2.00
24	2.38
26	2.63
30	3.00

SOLID OUTPUT STYLE	
CODE	DESCRIPTION
SL	SHAFT LEFT
SR	SHAFT RIGHT
SB	DOUBLE OUTPUT SHAFT

HOLLOW OUTPUT BORE	
CODE	DESCRIPTION
HA	0.625
HB	0.750
HD	0.938
HE	1.000
HG	1.125
HH	1.188
HJ	1.250
HM	1.438
HN	1.500
HP	1.625
HQ	1.688
HR	1.750
HS	1.875
HT	1.938
HU	2.000

RATIO	
CODE	RATIO
05	5
08	7.5
10	10
15	15
20	20
25	25
30	30
40	40
50	50
60	60
80	80
99	100

INPUT ADAPTER	
CODE	DESCRIPTION
56	56C
14	140TC
18	180TC
00	SOLID INPUT SHAFT



---

**PEERLESS WINSMITH, INC.**  
172 EATON STREET  
SPRINGVILLE, NY14141  
PHONE: 716.592.9310  
FAX: 716.592.9546

HBD Industries, Inc. and its subsidiaries cannot accept responsibility for possible errors in catalogues, brochures, other printed materials, and website information, and may change, delete, add to or otherwise modify such information without notice. HBD reserves the right to alter its products without notice, including products already on order, provided that such alteration can be made without changes being necessary in specifications already agreed to. All trademarks in this material are the property of the HBD Industries Inc., or its subsidiaries. The HBD and HBD brands logotype, are trademarks of HBD Industries, Inc. All rights reserved.

Rev C. 8/18