



# LOAD BEARING ROLLER ASSEMBLIES

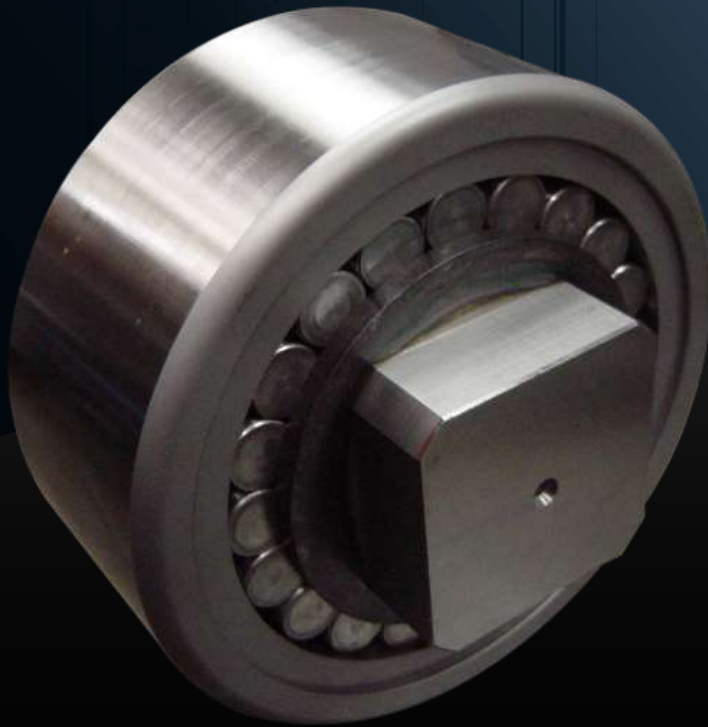
$$f(x) = a_0 + \sum_{n=1}^{\infty} \left( a_n \cos \frac{n\pi x}{L} + b_n \sin \frac{n\pi x}{L} \right)$$

$$(a)^n = \sum_{k=0}^n \binom{n}{k} x^k a^{n-k} < e$$



Bearing Type	$\frac{F_a}{F_r} < e$		$\frac{F_a}{F_r} > e$		e
	X	Y	X	Y	
S	0.4	0.4cotα	1.5tanα		
D	0.67	0.67cotα	1.5tanα		

# SOLUTIONS GUIDE



# LOAD BEARING ROLLER ASSEMBLIES

Featuring ∞Infinity Roller™ Technology



## Cam Followers



### CAM FOLLOWERS:

**BEARING TYPE: Needle Bearings**

Available from 2" to 20" roller body diameter, these units provide maximum radial capacity in lower speed applications. An extra thick roller body provides high load carrying capability by minimizing distortion.

## DCB Rollers



### DCB ROLLERS

**BEARING TYPE: Cylindrical Roller Bearings**

Available from 2" to 10" roller body diameter, these units provide maximum dynamic radial load capacity and allow for incidental thrust loads. DCB Rollers also offer rubber seals and are a drop-in replacement for Cam Followers.

## XR Rollers



### XR ROLLERS

**BEARING TYPE: Ball or Tapered Roller Bearings**

Available from 1.5" to 10" roller body diameter, PCI XR Rollers provide the rugged seals and thrust load capacity of a PCI Track Roller in the sizing of a Cam Follower, for an easy, drop-in, maintenance-free upgrade.

# LOAD BEARING ROLLER ASSEMBLIES

Featuring ∞Infinity Roller™ Technology



## Track Rollers



### TRACK ROLLERS

**BEARING TYPE:** Ball or Tapered Roller Bearings  
Available from 1" to 20" roller body diameter, PCI Track Rollers provide balanced radial and thrust load capacity, maximized sealing provisions and profile options which include Crowned, Flanged, Double Flanged, V-Grooved, U-Grooved and Channel & I-Beam profiles. On stud type versions, a stainless steel dust cover provides added protection against contamination.

## Extreme Duty Solutions



### STAINLESS STEEL

Stainless Steel options and fluorocarbon seals for the ultimate in corrosion resistance.

### NON-METALLIC

Economical corrosion resistant alternative to stainless that reduces noise by eliminating metal-to-metal contact with a contamination exclusion design.

### HIGH TEMPERATURE

Rated for operation up to 660° F and available as regreasable or sealed for life.

## Industry Solutions



### LUMBER & SAWMILL PARTS

Replacement rollers for sawmill, lumber & pressure treatment equipment.

### OIL & GAS PARTS

PCI "TDR" Rollers are a drop-in replacement for units found on top drive equipment commonly used in the oilfield.

### WASTE & REFUSE PARTS

Replacement parts for waste & refuse equipment.

## Special & Custom Products

PCI manufactures special & custom assemblies in all shapes and sizes using a variety of internal bearing configurations. PCI delivers these rollers weeks ahead of the competition and requires no piece minimums. Whether it's dimensional adjustments, or analysis and application guidance to resolve problematic demands- **PCI PROVIDES SOLUTIONS THROUGH INNOVATION!**

# Understanding Application Needs

## Load Bearing Roller Assemblies



(989)358-6148  
www.pcimfg.com

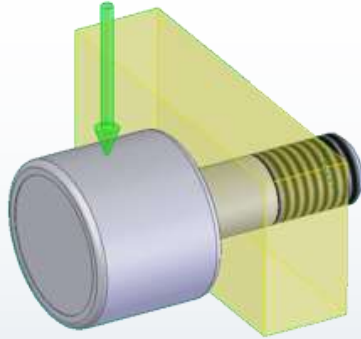
The answers to the following questions help to describe the demands of an application. Gaining an understanding of an application's demands is the first step in obtaining choices for a solution.

### What are the Application Loads?

Load bearing roller assemblies are designed to support moving (dynamic) loads or stationary (static) loads. The load that the rollers will be supporting can be communicated using the following terminology:

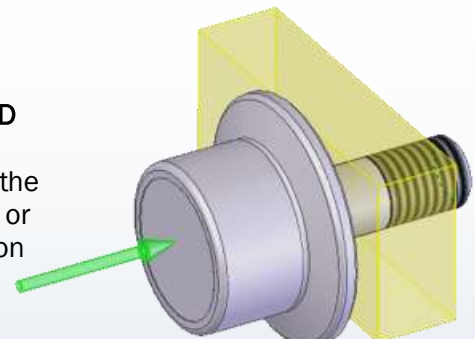
#### **RADIAL LOAD**

Load applied 90 degrees to the bearing bore or axis of rotation



#### **THRUST LOAD**

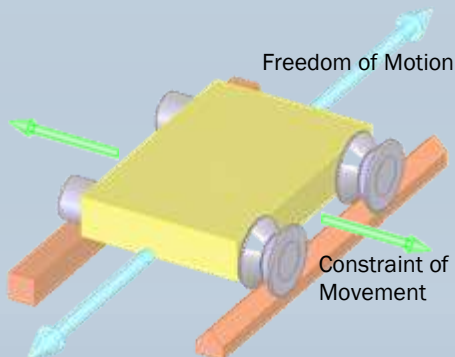
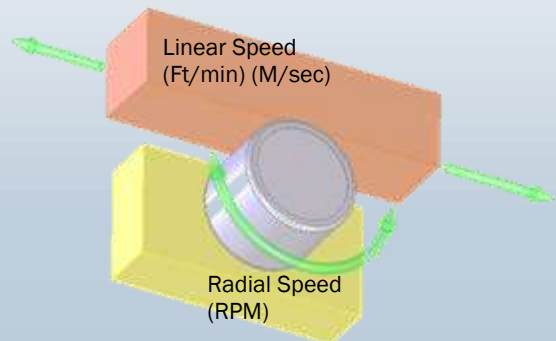
Load applied parallel with the bearing bore or axis of rotation



Rollers in many applications experience a load comprised of radial and thrust load which can be referred to as **Combination Load**. This load may not be intentionally designed into the application, but a combination load can be created as a result of misalignment or other functions within the application.

### What are the Applied Speeds?

The rate at which the moving object will be travelling can be communicated in two different ways: in distance per time (FPM, M/sec) for linear movement or in revolutions per minute (RPM) for rotational movement. Depending on the type of application, one of these will best communicate the applied speed.



### What are the Needs for Location?

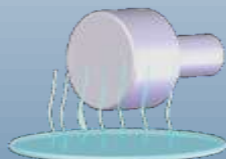
Load bearing roller assemblies facilitate the location of moving loads or the contact surface by allowing for specific movements and by limiting unwanted ones. Applications must be reviewed to determine the required freedom of motion and the desired constraint of movement.

### What is the Application Environment?

Environmental conditions can impact the life and performance of load bearing roller assemblies. Applications with exposure to the following substances may require special consideration: chemicals, vapors, water, temperature and solid particulate.



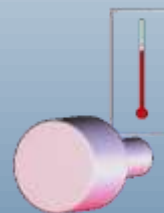
Chemicals



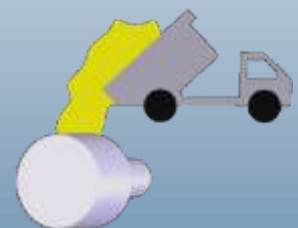
Vapor



H<sub>2</sub>O



Temperature



Particulate

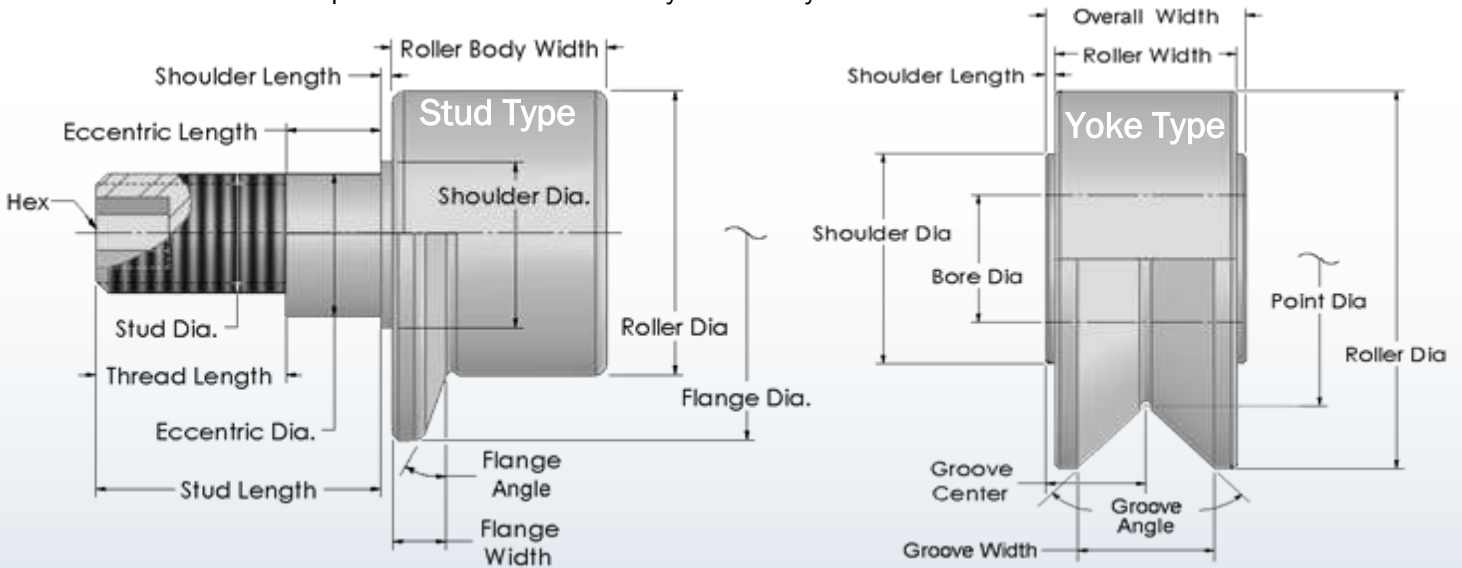
# Designing Application Solutions

## Load Bearing Roller Assemblies

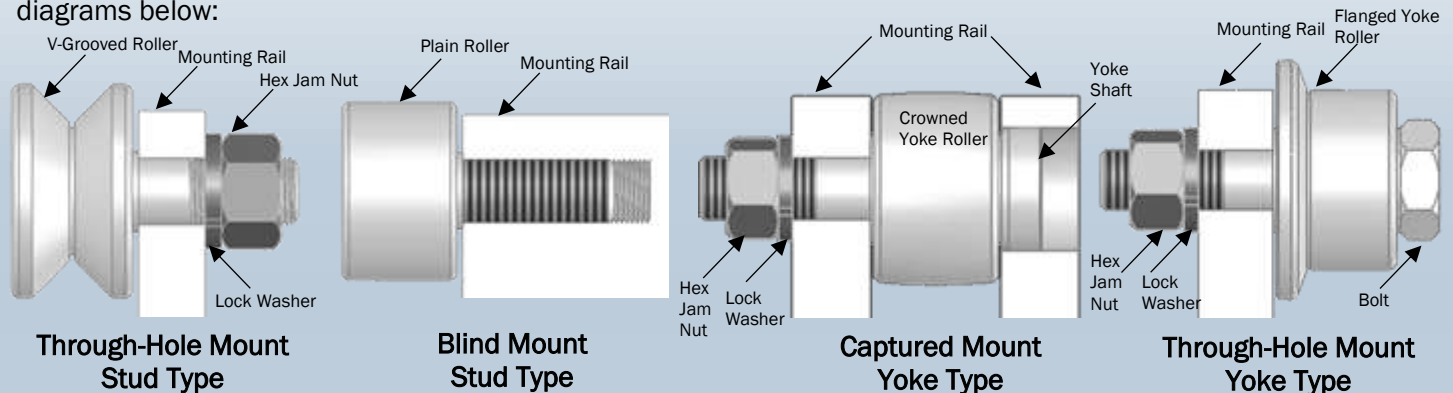


(989)358-6148  
www.pcimfg.com

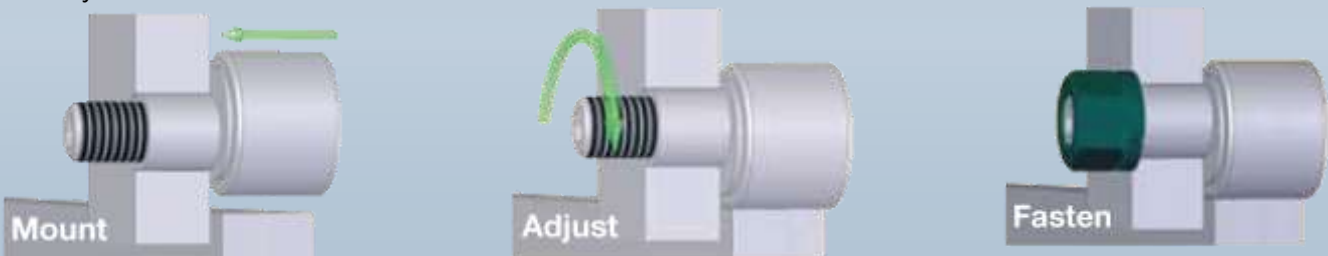
It is important to account for the physical constraints within an application. The following diagrams outline common dimensional requirements and the terms by which they are referred.



In addition to complying with physical constraints, rollers can be manufactured to accommodate multiple mounting arrangements. The two most common mounting arrangements are Stud Type and Yoke Type, both indicated in the diagrams below:



For applications requiring precision alignment between a roller and the mating contact surface, an eccentric style roller may be used to achieve uniform contact.



PCI Load Bearing Roller Assembly solutions can be manufactured with a variety of body profiles to help address concerns with debris, location and rail profile. Some examples include:



# LOAD BEARING ROLLER ASSEMBLIES

$$f(x) = a_0 + \sum_{n=1}^{\infty} \left( a_n \cos \frac{n\pi x}{L} + b_n \sin \frac{n\pi x}{L} \right)$$



$$(1 + a)^n = \sum_{k=0}^n \binom{n}{k} x^k a^{n-k} < e$$

$\frac{F_a}{F_r} < e$	$\frac{F_a}{F_r} > e$	
		e
		1.5 tan $\alpha$
		0.67
		0.67 cot $\alpha$
		1.5 tan $\alpha$

## $\infty$ INFINITY ROLLER™ TECHNOLOGY

- Minimized Downtime – engineered for diminished maintenance costs
- Maximized Life – featuring premium lubricants, seals & bearings
- Optimized Design – analysis & application assistance provided



989.358.6148  
[www.pcimfg.com](http://www.pcimfg.com)

# LOAD BEARING ROLLER ASSEMBLIES

∞ INFINITY ROLLER™ TECHNOLOGY

# CAM FOLLOWERS

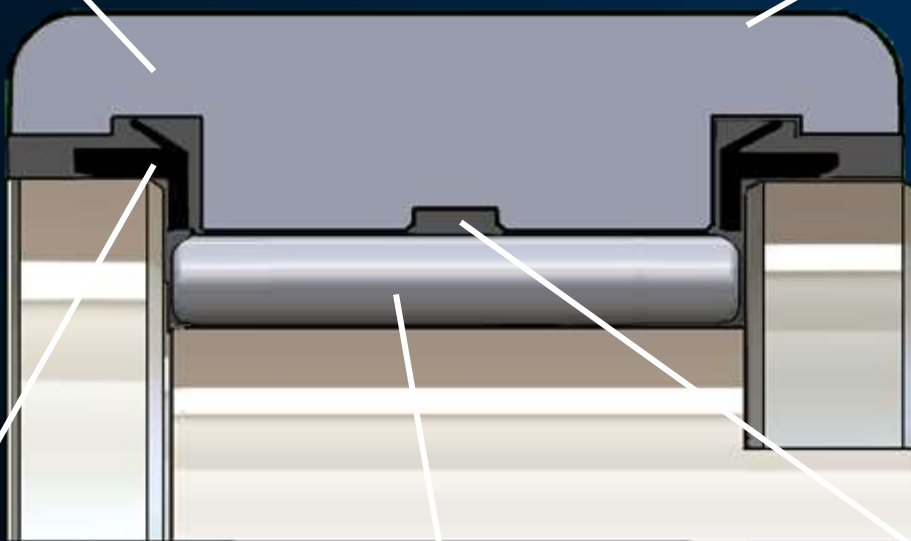
## Proven Toughness Under Radial Loads

### THICK SECTION ROLLER BODY

Proven toughness under heavy radial loads

### CASE HARDENED ROLLER BODY

Maintains the integrity of the assembly by preventing pre-mature fracture under shock loads



### MOLY-FILLED NYLON LIP SEALS

Dual function seal provides low level thrust capacity and contamination exclusion

### FULL COMPLEMENT NEEDLE BEARINGS

Reliable performance under moderate to heavy radial dynamic loads.

### PREMIUM SYNTHETIC LUBRICANT

High performance grease resistant to break down to minimize downtime

### EASY INSTALLATION BORE

Efficient yoke roller installation by eliminating the need for tedious installation methods.

### BLACK OXIDE FINISH

PCI Cam Followers have a black oxide finish on all external surfaces.



# LOAD BEARING ROLLER ASSEMBLIES

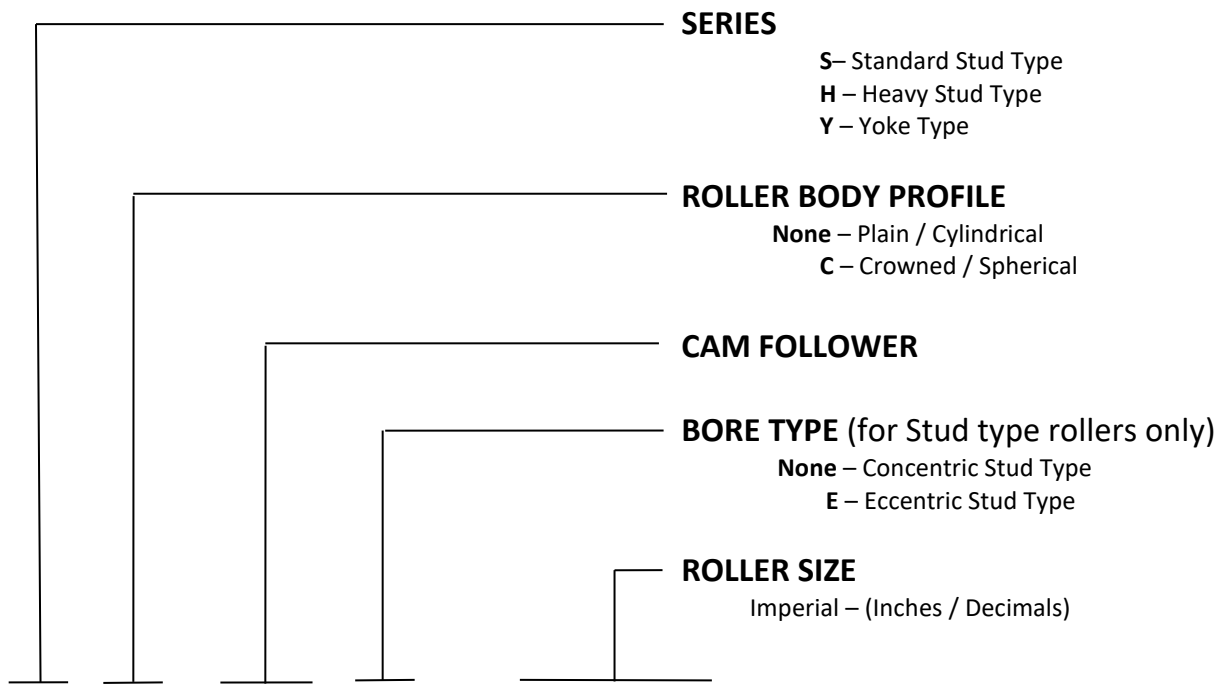
## Cam Follower Assemblies

### Part Number Nomenclature



(989)358-6148

www.pcimfg.com



S C CF E . 2.50 . S H .

*Standard Stud Type, Crowned, Cam Follower, 2.50" Roller Diameter, Sealed, with a Hex Socket*

#### SEALING

S – Sealed

#### SLOT TYPE

None – Screwdriver Slot  
H – Hex Socket

#### ALTERNATE FITTING

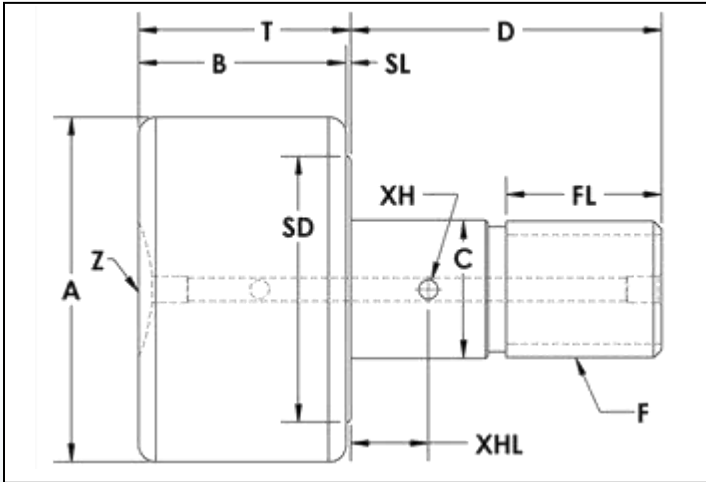
THT – Threaded Lubrication Fitting (Units 4" Diameter and Smaller)

# SCF-S Series Cam Follower

Plain/Cylindrical – Stud Type Concentric – Screwdriver Slot  
Full Complement Needle Bearings - Regreasable



(989)358-6148  
www.pcimfg.com



FEATURING  
∞ INFINITY ROLLER™  
TECHNOLOGY

Stud Type Cam Follower Part Number	A	B	C	D	F	FL	SD	SL	T	XH	XHL	Z
	Roller Dia. +.000 -.001	Roller Width	Stud Dia. +.000 -.001	Stud Length	Thread Size	Thread Length	Shoulder Dia.	Shoulder Length	Roller Width + Shoulder Length	Crosshole Dia	Crosshole Location	Lube Size
SCF-2.00-S	2.000	1.25	0.875	2.00	7/8 - 14	1.00	1.6	0.03	1.28	0.13	0.50	3/16 Drive
SCF-2.25-S	2.250	1.25	0.875	2.00	7/8 - 14	1.00	1.6	0.03	1.28	0.13	0.50	3/16 Drive
SCF-2.50-S	2.500	1.50	1.000	2.25	1 - 14	1.13	1.9	0.03	1.53	0.13	0.56	3/16 Drive
SCF-2.75-S	2.750	1.50	1.000	2.25	1 - 14	1.13	1.9	0.03	1.53	0.13	0.56	3/16 Drive
SCF-3.00-S	3.000	1.75	1.250	2.50	1 1/4 - 12	1.25	2.2	0.03	1.78	0.13	0.63	1/4 Drive
SCF-3.25-S	3.250	1.75	1.250	2.50	1 1/4 - 12	1.25	2.2	0.03	1.78	0.13	0.63	1/4 Drive
SCF-3.50-S	3.500	2.00	1.375	2.75	1 3/8 - 12	1.38	2.5	0.03	2.03	0.13	0.69	1/4 Drive
SCF-4.00-S	4.000	2.25	1.500	3.50	1 1/2 - 12	1.50	2.9	0.03	2.28	0.13	0.75	1/4 Drive

# SCF-S Series Cam Follower

Plain/Cylindrical – Stud Type Concentric – Screwdriver Slot  
Full Complement Needle Bearings - Regreasable



**ADDITIONAL NOTES**

\*For lubricated threads, use half the maximum clamping torque value shown.

FC Needle:  
Full Complement Needle Bearings – Alloy Steel

FEATURING ∞ INFINITY ROLLER™ TECHNOLOGY

Grease Fittings & Jam Nut/Lock Washer sets are available at an additional cost.

Specifications subject to change without notice.

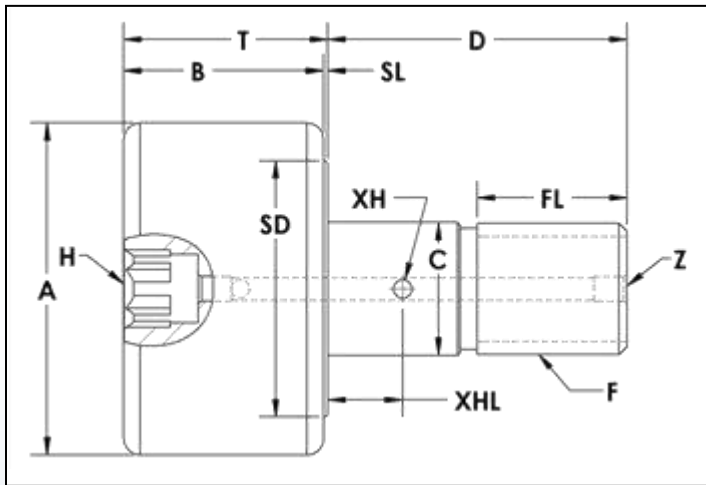
Stud Type Cam Follower Part Number	Basic Radial Dynamic Load Rating (lbs) C	Basic Radial Static Load Rating (lbs) Co	Stud Capacity (lbs)	Max. Clamping Torque (in-lbs)*	Seal Type	Bearing Type	Approx. Roller Weight (lbs)
SCF-2.00-S	8,090	21,140	6,260	1,200	Moly-Filled Nylon Lip	FC Needle	1.32
SCF-2.25-S	8,090	21,140	6,260	1,200	Moly-Filled Nylon Lip	FC Needle	1.61
SCF-2.50-S	11,720	32,900	7,820	2,250	Moly-Filled Nylon Lip	FC Needle	2.35
SCF-2.75-S	11,720	32,900	7,820	2,250	Moly-Filled Nylon Lip	FC Needle	2.78
SCF-3.00-S	17,620	49,820	13,120	2,250	Moly-Filled Nylon Lip	FC Needle	4.01
SCF-3.25-S	17,620	49,820	13,120	2,250	Moly-Filled Nylon Lip	FC Needle	4.54
SCF-3.50-S	23,630	63,250	15,310	5,000	Moly-Filled Nylon Lip	FC Needle	6.04
SCF-4.00-S	30,270	89,540	17,700	5,000	Moly-Filled Nylon Lip	FC Needle	9.13

# SCF-SH Series Cam Follower

Plain/Cylindrical – Stud Type Concentric – Hex Socket  
Full Complement Needle Bearings - Regreasable



(989)358-6148  
www.pcimfg.com



FEATURING  
∞ INFINITY ROLLER™  
TECHNOLOGY

Stud Type Cam Follower Part Number	A	B	C	D	F	FL	H	SD	SL	T	XH	XHL	Z
	Roller Dia. +.000 -.001	Roller Width	Stud Dia. +.000 -.001	Stud Length	Thread Size	Thread Length	Hex Size	Shoulder Dia.	Shoulder Length	Roller Width + Shoulder Length	Crosshole Dia	Crosshole Location	Lube Size
SCF-2.00-SH	2.000	1.25	0.875	2.00	7/8 - 14	1.00	7/16	1.6	0.03	1.28	0.13	0.50	3/16 Drive†
SCF-2.00-SH-THT	2.000	1.25	0.875	2.00	7/8 - 14	1.00	7/16	1.6	0.03	1.28	-	-	1/8-27 NPT‡
SCF-2.25-SH	2.250	1.25	0.875	2.00	7/8 - 14	1.00	7/16	1.6	0.03	1.28	0.13	0.50	3/16 Drive†
SCF-2.25-SH-THT	2.250	1.25	0.875	2.00	7/8 - 14	1.00	7/16	1.6	0.03	1.28	-	-	1/8-27 NPT‡
SCF-2.50-SH	2.500	1.50	1.000	2.25	1 - 14	1.13	1/2	1.9	0.03	1.53	0.13	0.56	3/16 Drive†
SCF-2.50-SH-THT	2.500	1.50	1.000	2.25	1 - 14	1.13	1/2	1.9	0.03	1.53	-	-	1/8-27 NPT‡
SCF-2.75-SH	2.750	1.50	1.000	2.25	1 - 14	1.13	1/2	1.9	0.03	1.53	0.13	0.56	3/16 Drive†
SCF-2.75-SH-THT	2.750	1.50	1.000	2.25	1 - 14	1.13	1/2	1.9	0.03	1.53	-	-	1/8-27 NPT‡
SCF-3.00-SH	3.000	1.75	1.250	2.50	1 1/4 - 12	1.25	3/4	2.2	0.03	1.78	0.13	0.63	1/4 Drive
SCF-3.00-SH-THT	3.000	1.75	1.250	2.50	1 1/4 - 12	1.25	3/4	2.2	0.03	1.78	-	-	1/8-27 NPT
SCF-3.25-SH	3.250	1.75	1.250	2.50	1 1/4 - 12	1.25	3/4	2.2	0.03	1.78	0.13	0.63	1/4 Drive
SCF-3.25-SH-THT	3.250	1.75	1.250	2.50	1 1/4 - 12	1.25	3/4	2.2	0.03	1.78	-	-	1/8-27 NPT
SCF-3.50-SH	3.500	2.00	1.375	2.75	1 3/8 - 12	1.38	3/4	2.5	0.03	2.03	0.13	0.69	1/4 Drive
SCF-3.50-SH-THT	3.500	2.00	1.375	2.75	1 3/8 - 12	1.38	3/4	2.5	0.03	2.03	-	-	1/8-27 NPT
SCF-4.00-SH	4.000	2.25	1.500	3.50	1 1/2 - 12	1.50	3/4	2.9	0.03	2.28	0.13	0.75	1/4 Drive
SCF-4.00-SH-THT	4.000	2.25	1.500	3.50	1 1/2 - 12	1.50	3/4	2.9	0.03	2.28	-	-	1/8-27 NPT
SCF-5.00-SH	5.000	2.75	2.000	5.06	2 - 12	2.56	7/8	3.9	0.06	2.81	0.19	0.88	1/4-18 NPT
SCF-6.00-SH	6.000	3.25	2.500	6.00	2 1/2 - 12	3.00	1	4.9	0.06	3.31	0.19	1.00	1/4-18 NPT
SCF-7.00-SH	7.000	3.75	3.000	7.69	3 - 12	4.13	1 1/4	5.4	0.06	3.81	0.19	1.25	1/4-18 NPT
SCF-8.00-SH	8.000	4.25	3.250	8.50	3 1/4 - 4	4.25	1 1/4	6.4	0.13	5.13*	-	-	1/4-18 NPT
SCF-9.00-SH	9.000	4.75	3.750	9.50	3 1/2 - 4	4.75	1 1/4	7.4	0.13	5.63*	-	-	1/4-18 NPT
SCF-10.00-SH	10.000	5.25	4.250	10.00	3 1/2 - 4	4.75	1 1/4	7.4	0.13	6.13*	-	-	1/4-18 NPT

† Lubrication through threaded end and cross hole only

‡ Lubrication through threaded end only

\* Stud extends .750" beyond the roller body on end opposite the threads

# SCF-SH Series Cam Follower

Plain/Cylindrical – Stud Type Concentric – Hex Socket  
Full Complement Needle Bearings - Regreasable



## ADDITIONAL NOTES

\*For lubricated threads, use half the maximum clamping torque value shown.

FC Needle:  
Full Complement Needle Bearings – Alloy Steel

FEATURING ∞ INFINITY ROLLER™ TECHNOLOGY

Grease Fittings & Jam Nut/Lock Washer sets are available at an additional cost.

Specifications subject to change without notice.

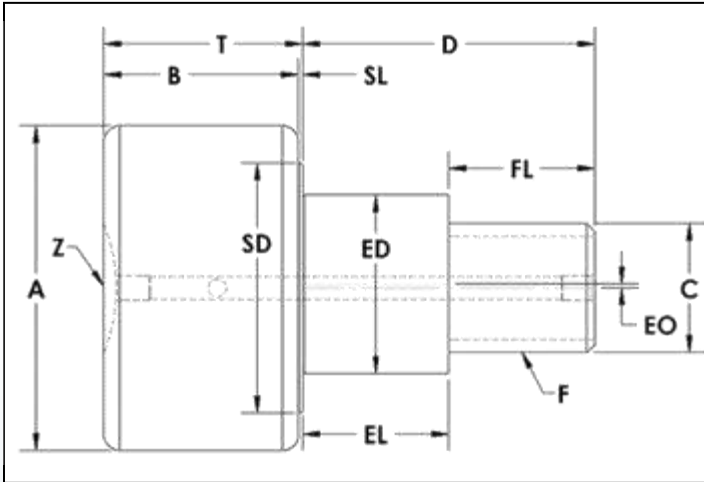
Stud Type Cam Follower Part Number	Basic Radial Dynamic Load Rating (lbs) C	Basic Radial Static Load Rating (lbs) Co	Stud Capacity (lbs)	Max. Clamping Torque (in-lbs)*	Seal Type	Bearing Type	Approx. Roller Weight (lbs)
SCF-2.00-SH	8,090	21,140	6,260	1,200	Moly-Filled Nylon Lip	FC Needle	1.32
SCF-2.00-SH-THT	8,090	21,140	6,260	1,200	Moly-Filled Nylon Lip	FC Needle	1.32
SCF-2.25-SH	8,090	21,140	6,260	1,200	Moly-Filled Nylon Lip	FC Needle	1.61
SCF-2.25-SH-THT	8,090	21,140	6,260	1,200	Moly-Filled Nylon Lip	FC Needle	1.61
SCF-2.50-SH	11,720	32,900	7,820	2,250	Moly-Filled Nylon Lip	FC Needle	2.35
SCF-2.50-SH-THT	11,720	32,900	7,820	2,250	Moly-Filled Nylon Lip	FC Needle	2.35
SCF-2.75-SH	11,720	32,900	7,820	2,250	Moly-Filled Nylon Lip	FC Needle	2.78
SCF-2.75-SH-THT	11,720	32,900	7,820	2,250	Moly-Filled Nylon Lip	FC Needle	2.78
SCF-3.00-SH	17,620	49,820	13,120	2,250	Moly-Filled Nylon Lip	FC Needle	4.01
SCF-3.00-SH-THT	17,620	49,820	13,120	2,250	Moly-Filled Nylon Lip	FC Needle	4.01
SCF-3.25-SH	17,620	49,820	13,120	2,250	Moly-Filled Nylon Lip	FC Needle	4.54
SCF-3.25-SH-THT	17,620	49,820	13,120	2,250	Moly-Filled Nylon Lip	FC Needle	4.54
SCF-3.50-SH	23,630	63,250	15,310	5,000	Moly-Filled Nylon Lip	FC Needle	6.04
SCF-3.50-SH-THT	23,630	63,250	15,310	5,000	Moly-Filled Nylon Lip	FC Needle	6.04
SCF-4.00-SH	30,270	89,540	17,700	5,000	Moly-Filled Nylon Lip	FC Needle	9.13
SCF-4.00-SH-THT	30,270	89,540	17,700	5,000	Moly-Filled Nylon Lip	FC Needle	9.13
SCF-5.00-SH	53,590	135,900	34,040	5,000	Moly-Filled Nylon Lip	FC Needle	18.23
SCF-6.00-SH	61,690	160,900	56,450	5,000	Moly-Filled Nylon Lip	FC Needle	31.76
SCF-7.00-SH	81,860	213,860	84,740	5,000	Moly-Filled Nylon Lip	FC Needle	53.38
SCF-8.00-SH	111,400	288,200	80,020	5,000	Moly-Filled Nylon Lip	FC Needle	82.22
SCF-9.00-SH	151,400	366,860	112,010	5,000	Moly-Filled Nylon Lip	FC Needle	115.01
SCF-10.00-SH	160,480	431,130	149,750	5,000	Moly-Filled Nylon Lip	FC Needle	151.24

# SCFE-S Series Cam Follower

Plain/Cylindrical – Stud Type Eccentric – Screwdriver Slot  
Full Complement Needle Bearings - Regreasable



(989)358-6148  
www.pcimfg.com



FEATURING  
∞ INFINITY ROLLER™  
TECHNOLOGY

Stud Type Cam Follower Part Number	A Roller Dia. +.000 -.001	B Roller Width	C Stud Dia.	D Stud Length	ED Ecc Dia +.000 -.002	EL Ecc Length	EO Ecc Offset	F Thread Size	FL Thread Length	SD Shoulder Dia.	SL Shoulder Length	T Roller Width + Shoulder Length	Z Lube Size
SCFE-2.00-S	2.000	1.25	0.875	2.00	1.187	1.00	0.03	7/8 - 14	1.00	1.6	0.03	1.28	3/16 Drive
SCFE-2.25-S	2.250	1.25	0.875	2.00	1.187	1.00	0.03	7/8 - 14	1.00	1.6	0.03	1.28	3/16 Drive
SCFE-2.50-S	2.500	1.50	1.000	2.25	1.375	1.13	0.03	1 - 14	1.13	1.9	0.03	1.53	3/16 Drive
SCFE-2.75-S	2.750	1.50	1.000	2.25	1.375	1.13	0.03	1 - 14	1.13	1.9	0.03	1.53	3/16 Drive
SCFE-3.00-S	3.000	1.75	1.250	2.50	1.750	1.25	0.06	1 1/4 - 12	1.25	2.2	0.03	1.78	1/4 Drive
SCFE-3.25-S	3.250	1.75	1.250	2.50	1.750	1.25	0.06	1 1/4 - 12	1.25	2.2	0.03	1.78	1/4 Drive
SCFE-3.50-S	3.500	2.00	1.375	2.75	1.812	1.38	0.06	1 3/8 - 12	1.38	2.5	0.03	2.03	1/4 Drive
SCFE-4.00-S	4.000	2.25	1.500	3.50	2.000	2.00	0.06	1 1/2 - 12	1.50	2.9	0.03	2.28	1/4 Drive

# SCFE-S Series Cam Follower

Plain/Cylindrical – Stud Type Eccentric – Screwdriver Slot  
Full Complement Needle Bearings - Regreasable



## ADDITIONAL NOTES

\*For lubricated threads, use half the maximum clamping torque value shown.

FC Needle:  
Full Complement Needle Bearings – Alloy Steel

FEATURING ∞ INFINITY ROLLER™ TECHNOLOGY

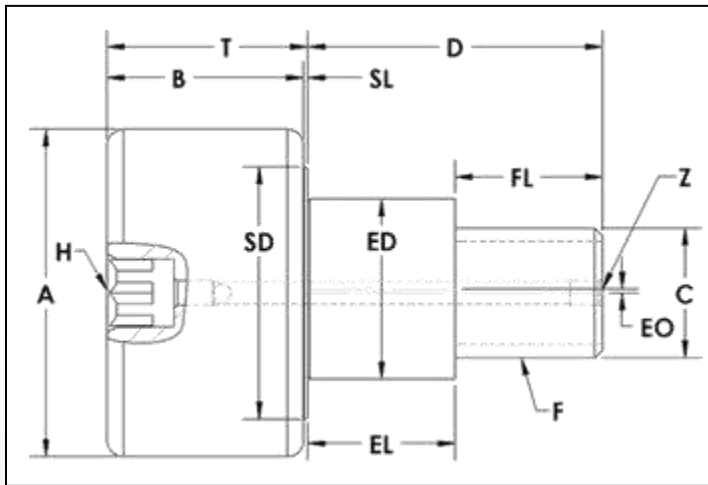
Grease Fittings & Jam Nut/Lock Washer sets are available at an additional cost.

Specifications subject to change without notice.

Stud Type Cam Follower Part Number	Basic Radial Dynamic Load Rating (lbs) C	Basic Radial Static Load Rating (lbs) Co	Stud Capacity (lbs)	Max. Clamping Torque (in-lbs)*	Seal Type	Bearing Type	Approx. Roller Weight (lbs)
SCFE-2.00-S	8,090	21,140	6,260	1,200	Moly-Filled Nylon Lip	FC Needle	1.45
SCFE-2.25-S	8,090	21,140	6,260	1,200	Moly-Filled Nylon Lip	FC Needle	1.74
SCFE-2.50-S	11,720	32,900	7,820	2,250	Moly-Filled Nylon Lip	FC Needle	2.55
SCFE-2.75-S	11,720	32,900	7,820	2,250	Moly-Filled Nylon Lip	FC Needle	2.98
SCFE-3.00-S	17,620	49,820	13,120	2,250	Moly-Filled Nylon Lip	FC Needle	4.35
SCFE-3.25-S	17,620	49,820	13,120	2,250	Moly-Filled Nylon Lip	FC Needle	4.94
SCFE-3.50-S	23,630	63,250	15,310	5,000	Moly-Filled Nylon Lip	FC Needle	6.44
SCFE-4.00-S	30,270	89,540	17,700	5,000	Moly-Filled Nylon Lip	FC Needle	9.82

# SCFE-SH Series Cam Follower

Plain/Cylindrical – Stud Type Eccentric – Hex Socket  
Full Complement Needle Bearings - Regreasable



FEATURING  
∞ INFINITY ROLLER™  
TECHNOLOGY

Stud Type Cam Follower Part Number	A	B	C	D	ED	EL	EO	F	FL	H	SD	SL	T	Z
	Roller Dia. +.000 -.001	Roller Width	Stud Dia.	Stud Length	Ecc Dia +.000 -.002	Ecc Length	Ecc Offset	Thread Size	Thread Length	Hex Size	Shoulder Dia.	Shoulder Length	Roller Width + Shoulder Length	Lube Size
SCFE-2.00-SH	2.000	1.25	0.875	2.00	1.187	1.00	0.03	7/8 - 14	1.00	7/16	1.6	0.03	1.28	3/16 Drive†
SCFE-2.00-SH-THT	2.000	1.25	0.875	2.00	1.187	1.00	0.03	7/8 - 14	1.00	7/16	1.6	0.03	1.28	1/8-27 NPT†
SCFE-2.25-SH	2.250	1.25	0.875	2.00	1.187	1.00	0.03	7/8 - 14	1.00	7/16	1.6	0.03	1.28	3/16 Drive†
SCFE-2.25-SH-THT	2.250	1.25	0.875	2.00	1.187	1.00	0.03	7/8 - 14	1.00	7/16	1.6	0.03	1.28	1/8-27 NPT†
SCFE-2.50-SH	2.500	1.50	1.000	2.25	1.375	1.13	0.03	1 - 14	1.13	1/2	1.9	0.03	1.53	3/16 Drive†
SCFE-2.50-SH-THT	2.500	1.50	1.000	2.25	1.375	1.13	0.03	1 - 14	1.13	1/2	1.9	0.03	1.53	1/8-27 NPT†
SCFE-2.75-SH	2.750	1.50	1.000	2.25	1.375	1.13	0.03	1 - 14	1.13	1/2	1.9	0.03	1.53	3/16 Drive†
SCFE-2.75-SH-THT	2.750	1.50	1.000	2.25	1.375	1.13	0.03	1 - 14	1.13	1/2	1.9	0.03	1.53	1/8-27 NPT†
SCFE-3.00-SH	3.000	1.75	1.250	2.50	1.750	1.25	0.06	1 1/4 - 12	1.25	3/4	2.2	0.03	1.78	1/4 Drive
SCFE-3.00-SH-THT	3.000	1.75	1.250	2.50	1.750	1.25	0.06	1 1/4 - 12	1.25	3/4	2.2	0.03	1.78	1/8-27 NPT
SCFE-3.25-SH	3.250	1.75	1.250	2.50	1.750	1.25	0.06	1 1/4 - 12	1.25	3/4	2.2	0.03	1.78	1/4 Drive
SCFE-3.25-SH-THT	3.250	1.75	1.250	2.50	1.750	1.25	0.06	1 1/4 - 12	1.25	3/4	2.2	0.03	1.78	1/8-27 NPT
SCFE-3.50-SH	3.500	2.00	1.375	2.75	1.812	1.38	0.06	1 3/8 - 12	1.38	3/4	2.5	0.03	2.03	1/4 Drive
SCFE-3.50-SH-THT	3.500	2.00	1.375	2.75	1.812	1.38	0.06	1 3/8 - 12	1.38	3/4	2.5	0.03	2.03	1/8-27 NPT
SCFE-4.00-SH	4.000	2.25	1.500	3.50	2.000	2.00	0.06	1 1/2 - 12	1.50	3/4	2.9	0.03	2.28	1/4 Drive
SCFE-4.00-SH-THT	4.000	2.25	1.500	3.50	2.000	2.00	0.06	1 1/2 - 12	1.50	3/4	2.9	0.03	2.28	1/8-27 NPT

† Lubrication through threaded end only



# SCFE-SH Series Cam Follower

Plain/Cylindrical – Stud Type Eccentric – Hex Socket  
Full Complement Needle Bearings - Regreasable



## ADDITIONAL NOTES

\*For lubricated threads, use half the maximum clamping torque value shown.

FC Needle:  
Full Complement Needle Bearings – Alloy Steel

FEATURING ∞ INFINITY ROLLER™ TECHNOLOGY

Grease Fittings & Jam Nut/Lock Washer sets are available at an additional cost.

Specifications subject to change without notice.

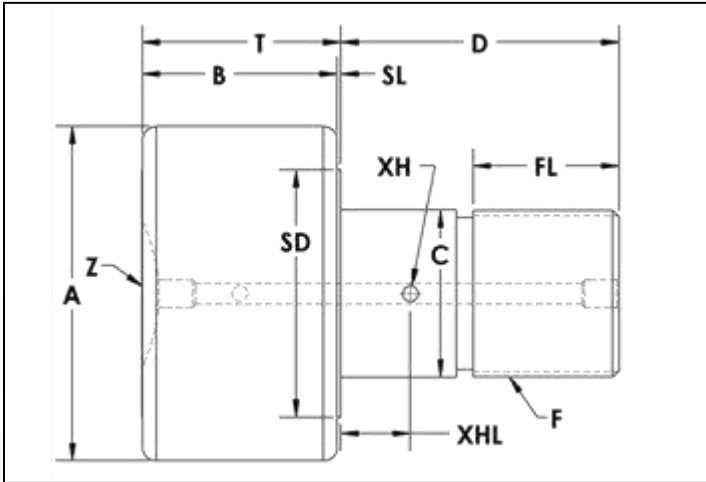
Stud Type Cam Follower Part Number	Basic Radial Dynamic Load Rating (lbs) C	Basic Radial Static Load Rating (lbs) Co	Stud Capacity (lbs)	Max. Clamping Torque (in-lbs)*	Seal Type	Bearing Type	Approx. Roller Weight (lbs)
SCFE-2.00-SH	8,090	21,140	6,260	1,200	Moly-Filled Nylon Lip	FC Needle	1.45
SCFE-2.00-SH-THT	8,090	21,140	6,260	1,200	Moly-Filled Nylon Lip	FC Needle	1.45
SCFE-2.25-SH	8,090	21,140	6,260	1,200	Moly-Filled Nylon Lip	FC Needle	1.74
SCFE-2.25-SH-THT	8,090	21,140	6,260	1,200	Moly-Filled Nylon Lip	FC Needle	1.74
SCFE-2.50-SH	11,720	32,900	7,820	2,250	Moly-Filled Nylon Lip	FC Needle	2.55
SCFE-2.50-SH-THT	11,720	32,900	7,820	2,250	Moly-Filled Nylon Lip	FC Needle	2.55
SCFE-2.75-SH	11,720	32,900	7,820	2,250	Moly-Filled Nylon Lip	FC Needle	2.98
SCFE-2.75-SH-THT	11,720	32,900	7,820	2,250	Moly-Filled Nylon Lip	FC Needle	2.98
SCFE-3.00-SH	17,620	49,820	13,120	2,250	Moly-Filled Nylon Lip	FC Needle	4.35
SCFE-3.00-SH-THT	17,620	49,820	13,120	2,250	Moly-Filled Nylon Lip	FC Needle	4.35
SCFE-3.25-SH	17,620	49,820	13,120	2,250	Moly-Filled Nylon Lip	FC Needle	4.94
SCFE-3.25-SH-THT	17,620	49,820	13,120	2,250	Moly-Filled Nylon Lip	FC Needle	4.94
SCFE-3.50-SH	23,630	63,250	15,310	5,000	Moly-Filled Nylon Lip	FC Needle	6.44
SCFE-3.50-SH-THT	23,630	63,250	15,310	5,000	Moly-Filled Nylon Lip	FC Needle	6.44
SCFE-4.00-SH	30,270	89,540	17,700	5,000	Moly-Filled Nylon Lip	FC Needle	9.82
SCFE-4.00-SH-THT	30,270	89,540	17,700	5,000	Moly-Filled Nylon Lip	FC Needle	9.82

# HCF-S Series Cam Follower

Plain/Cylindrical – Heavy Stud Type Concentric – Screwdriver Slot  
Full Complement Needle Bearings - Regreasable



(989)358-6148  
www.pcimfg.com



FEATURING  
∞ INFINITY ROLLER™  
TECHNOLOGY

Stud Type Cam Follower Part Number	A Roller Dia. +.000 -.001	B Roller Width	C Stud Dia. +.000 -.001	D Stud Length	F Thread Size	FL Thread Length	SD Shoulder Dia.	SL Shoulder Length	T Roller Width + Shoulder Length	XH Crosshole Dia	XHL Crosshole Location	Z Lube Size
HCF-2.00-S	2.000	1.25	1.125	2.00	1 1/8 - 12	1.00	1.6	0.03	1.28	0.13	0.50	3/16 Drive
HCF-2.25-S	2.250	1.25	1.125	2.00	1 1/8 - 12	1.00	1.6	0.03	1.28	0.13	0.50	3/16 Drive
HCF-2.50-S	2.500	1.50	1.250	2.25	1 1/4 - 12	1.13	1.9	0.03	1.53	0.13	0.56	3/16 Drive
HCF-2.75-S	2.750	1.50	1.250	2.25	1 1/4 - 12	1.13	1.9	0.03	1.53	0.13	0.56	3/16 Drive
HCF-3.00-S	3.000	1.75	1.500	2.50	1 1/2 - 12	1.31	2.2	0.03	1.78	0.13	0.63	1/4 Drive
HCF-3.25-S	3.250	1.75	1.500	2.50	1 1/2 - 12	1.31	2.2	0.03	1.78	0.13	0.63	1/4 Drive
HCF-3.50-S	3.500	2.00	1.750	2.75	1 3/4 - 12	1.38	2.5	0.03	2.03	0.13	0.69	1/4 Drive
HCF-4.00-S	4.000	2.25	2.000	3.50	2 - 12	1.69	2.9	0.03	2.28	0.13	0.75	1/4 Drive

# HCF-S Series Cam Follower

Plain/Cylindrical – Heavy Stud Type Concentric – Screwdriver Slot  
Full Complement Needle Bearings - Regreasable



## ADDITIONAL NOTES

\*For lubricated threads, use half the maximum clamping torque value shown.

FC Needle:  
Full Complement Needle Bearings – Alloy Steel

FEATURING ∞ INFINITY ROLLER™ TECHNOLOGY

Grease Fittings & Jam Nut/Lock Washer sets are available at an additional cost.

Specifications subject to change without notice.

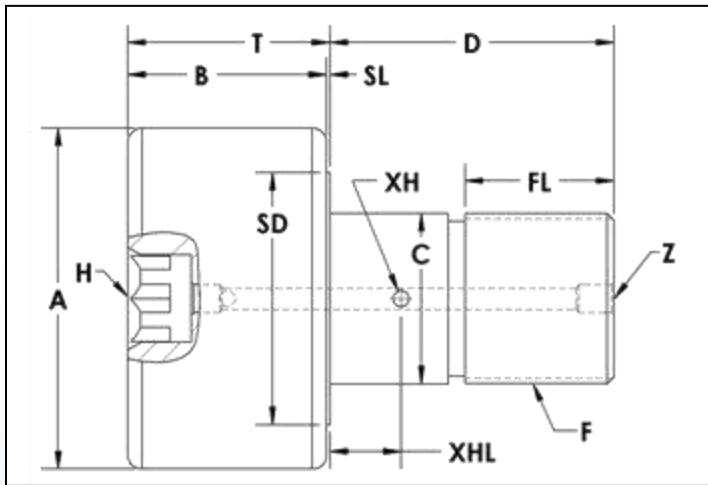
Stud Type Cam Follower Part Number	Basic Radial Dynamic Load Rating (lbs) C	Basic Radial Static Load Rating (lbs) Co	Stud Capacity (lbs)	Max. Clamping Torque (in-lbs)*	Seal Type	Bearing Type	Approx. Roller Weight (lbs)
HCF-2.00-S	8,090	21,140	13,300	1,500	Moly-Filled Nylon Lip	FC Needle	1.53
HCF-2.25-S	8,090	21,140	13,300	1,500	Moly-Filled Nylon Lip	FC Needle	1.81
HCF-2.50-S	11,720	32,900	15,270	2,250	Moly-Filled Nylon Lip	FC Needle	2.61
HCF-2.75-S	11,720	32,900	15,270	2,250	Moly-Filled Nylon Lip	FC Needle	3.03
HCF-3.00-S	17,620	49,820	22,670	3,450	Moly-Filled Nylon Lip	FC Needle	4.38
HCF-3.25-S	17,620	49,820	22,670	3,450	Moly-Filled Nylon Lip	FC Needle	4.91
HCF-3.50-S	23,630	63,250	31,030	5,000	Moly-Filled Nylon Lip	FC Needle	6.73
HCF-4.00-S	30,270	89,540	41,960	5,000	Moly-Filled Nylon Lip	FC Needle	10.45

# HCF-SH Series Cam Follower

Plain/Cylindrical – Heavy Stud Type Concentric – Hex Socket  
Full Complement Needle Bearings - Regreasable



(989)358-6148  
www.pcimfg.com



FEATURING  
∞ INFINITY ROLLER™  
TECHNOLOGY

Stud Type Cam Follower Part Number	A	B	C	D	F	FL	H	SD	SL	T	XH	XHL	Z
	Roller Dia. +.000 -.001	Roller Width	Stud Dia. +.000 -.001	Stud Length	Thread Size	Thread Length	Hex Size	Shoulder Dia.	Shoulder Length	Roller Width + Shoulder Length	Crosshole Dia	Crosshole Location	Lube Size
HCF-2.00-SH	2.000	1.25	1.125	2.00	1 1/8 - 12	1.00	7/16	1.6	0.03	1.28	0.13	0.50	3/16 Drive†
HCF-2.25-SH	2.250	1.25	1.125	2.00	1 1/8 - 12	1.00	7/16	1.6	0.03	1.28	0.13	0.50	3/16 Drive†
HCF-2.50-SH	2.500	1.50	1.250	2.25	1 1/4 - 12	1.13	1/2	1.9	0.03	1.53	0.13	0.56	3/16 Drive†
HCF-2.75-SH	2.750	1.50	1.250	2.25	1 1/4 - 12	1.13	1/2	1.9	0.03	1.53	0.13	0.56	3/16 Drive†
HCF-3.00-SH	3.000	1.75	1.500	2.50	1 1/2 - 12	1.31	3/4	2.2	0.03	1.78	0.13	0.63	1/4 Drive
HCF-3.25-SH	3.250	1.75	1.500	2.50	1 1/2 - 12	1.31	3/4	2.2	0.03	1.78	0.13	0.63	1/4 Drive
HCF-3.50-SH	3.500	2.00	1.750	2.75	1 3/4 - 12	1.38	3/4	2.5	0.03	2.03	0.13	0.69	1/4 Drive
HCF-4.00-SH	4.000	2.25	2.000	3.50	2 - 12	1.69	3/4	2.9	0.03	2.28	0.13	0.75	1/4 Drive
HCF-5.00-SH	5.000	2.75	2.500	5.06	2 1/2 - 12	2.56	7/8	3.9	0.06	2.81	0.19	0.88	1/4-18 NPT
HCF-6.00-SH	6.000	3.25	3.000	6.00	3 - 12	3.00	1	4.9	0.06	3.31	0.19	1.00	1/4-18 NPT
HCF-7.00-SH	7.000	3.75	3.500	7.69	3 1/2 - 4	4.13	1 1/4	5.4	0.06	3.81	0.19	1.25	1/4-18 NPT

† Lubrication through threaded end and cross hole only

# HCF-SH Series Cam Follower

Plain/Cylindrical – Heavy Stud Type Concentric – Hex Socket  
Full Complement Needle Bearings - Regreasable



## ADDITIONAL NOTES

\*For lubricated threads, use half the maximum clamping torque value shown.

FC Needle:  
Full Complement Needle Bearings – Alloy Steel

FEATURING ∞ INFINITY ROLLER™ TECHNOLOGY

Grease Fittings & Jam Nut/Lock Washer sets are available at an additional cost.

Specifications subject to change without notice.

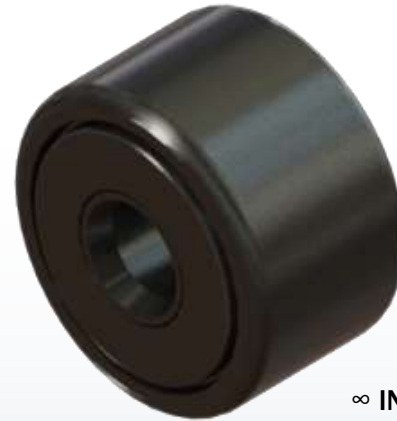
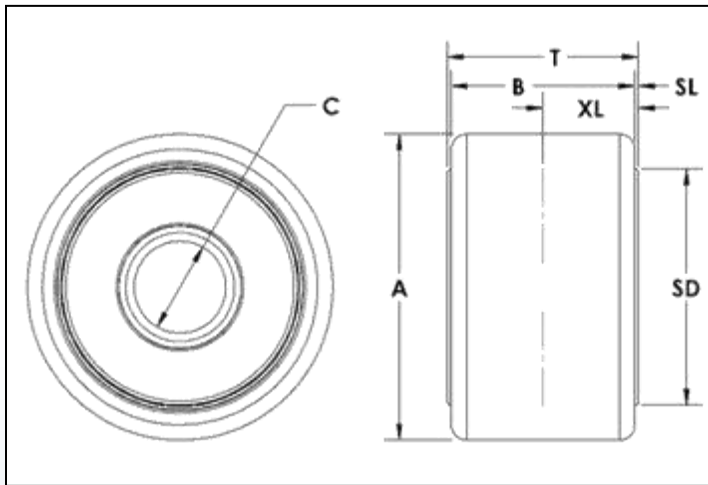
Stud Type Cam Follower Part Number	Basic Radial Dynamic Load Rating (lbs) C	Basic Radial Static Load Rating (lbs) Co	Stud Capacity (lbs)	Max. Clamping Torque (in-lbs)*	Seal Type	Bearing Type	Approx. Roller Weight (lbs)
HCF-2.00-SH	8,090	21,140	13,300	1,500	Moly-Filled Nylon Lip	FC Needle	1.53
HCF-2.25-SH	8,090	21,140	13,300	1,500	Moly-Filled Nylon Lip	FC Needle	1.81
HCF-2.50-SH	11,720	32,900	15,270	2,250	Moly-Filled Nylon Lip	FC Needle	2.61
HCF-2.75-SH	11,720	32,900	15,270	2,250	Moly-Filled Nylon Lip	FC Needle	3.03
HCF-3.00-SH	17,620	49,820	22,670	3,450	Moly-Filled Nylon Lip	FC Needle	4.38
HCF-3.25-SH	17,620	49,820	22,670	3,450	Moly-Filled Nylon Lip	FC Needle	4.91
HCF-3.50-SH	23,630	63,250	31,030	5,000	Moly-Filled Nylon Lip	FC Needle	6.73
HCF-4.00-SH	30,270	89,540	41,960	5,000	Moly-Filled Nylon Lip	FC Needle	10.45
HCF-5.00-SH	53,590	135,900	66,490	5,000	Moly-Filled Nylon Lip	FC Needle	20.71
HCF-6.00-SH	61,690	160,900	97,540	5,000	Moly-Filled Nylon Lip	FC Needle	35.34
HCF-7.00-SH	81,860	213,860	134,570	5,000	Moly-Filled Nylon Lip	FC Needle	58.19

# YCF-S Series Cam Follower

Plain/Cylindrical – Yoke Type Concentric  
Full Complement Needle Bearings - Regreasable



(989)358-6148  
www.pcimfg.com



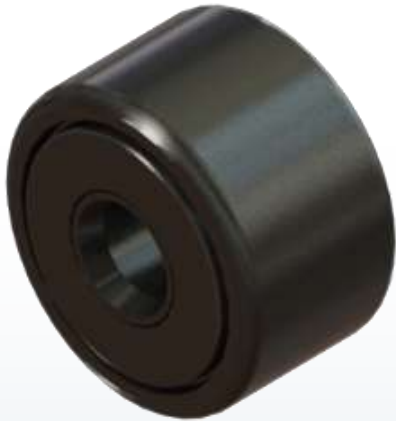
FEATURING  
∞ INFINITY ROLLER™  
TECHNOLOGY

Yoke Type Cam Follower Part Number	A Roller Dia. +.000 -.001	B Roller Width	C Bore Dia. +.0007 -.0000	SD Shoulder Dia.	SL Shoulder Length	T Inner Race Width +.005 -.010	XL Grease Groove Location
YCF-2.00-S	2.000	1.25	0.6250	1.6	0.03	1.313	0.66
YCF-2.25-S	2.250	1.25	0.6250	1.6	0.03	1.313	0.66
YCF-2.50-S	2.500	1.50	0.7500	1.9	0.03	1.563	0.78
YCF-2.75-S	2.750	1.50	0.7500	1.9	0.03	1.563	0.78
YCF-3.00-S	3.000	1.75	1.0000	2.2	0.03	1.813	0.91
YCF-3.25-S	3.250	1.75	1.0000	2.2	0.03	1.813	0.91
YCF-3.50-S	3.500	2.00	1.1250	2.5	0.03	2.063	1.03
YCF-4.00-S	4.000	2.25	1.2500	2.9	0.03	2.313	1.16
YCF-5.00-S	5.000	2.75	1.7500	3.9	0.06	2.875	1.44
YCF-6.00-S	6.000	3.25	2.2500	4.9	0.06	3.375	1.69
YCF-7.00-S	7.000	3.75	2.7500	5.4	0.06	3.875	1.94
YCF-8.00-S	8.000	4.25	3.2550	6.4	0.13	4.500	2.25
YCF-9.00-S	9.000	4.75	3.7550	7.4	0.13	5.000	2.50
YCF-10.00-S	10.000	5.25	4.2550	7.4	0.13	5.500	2.75
YCF-12.00-S	12.000	5.25	4.2550	7.4	0.13	5.500	2.75
YCF-14.00-S	14.000	5.25	4.2550	7.4	0.13	5.500	2.75
YCF-16.00-S	16.000	5.25	4.2550	7.4	0.13	5.500	2.75
YCF-18.00-S	18.000	5.25	4.2550	7.4	0.13	5.500	2.75
YCF-20.00-S	20.000	5.25	4.2550	7.4	0.13	5.500	2.75

Optional PCI Yoke Shaft	Optional PCI Eccentric Yoke Shaft
YSH-.625-R	YSHE-.625-R
YSH-.625-R	YSHE-.625-R
YSH-.750-R	YSHE-.750-R
YSH-.750-R	YSHE-.750-R
YSH-1.000-R	YSHE-1.000-R
YSH-1.000-R	YSHE-1.000-R
YSH-1.125-R	YSHE-1.125-R
YSH-1.250-R	YSHE-1.250-R
YSH-1.750-R	YSHE-1.750-R
YSH-2.250-R	YSHE-2.250-R
YSH-2.750-R	YSHE-2.750-R
YSH-3.250-R	-
YSH-3.750-R	-
YSH-4.250-R	-
YSH-4.250-R	-
YSH-4.250-R	-
YSH-4.250-R	-
YSH-4.250-R	-

# YCF-S Series Cam Follower

Plain/Cylindrical – Yoke Type Concentric  
Full Complement Needle Bearings - Regreasable



## ADDITIONAL NOTES

FC Needle: Full Complement Needle Bearings – Alloy Steel

FEATURING ∞ INFINITY ROLLER™ TECHNOLOGY

PCI Heavy Duty Yoke Shafts are available at an additional cost.  
See YSH page for details.

Specifications subject to change without notice.

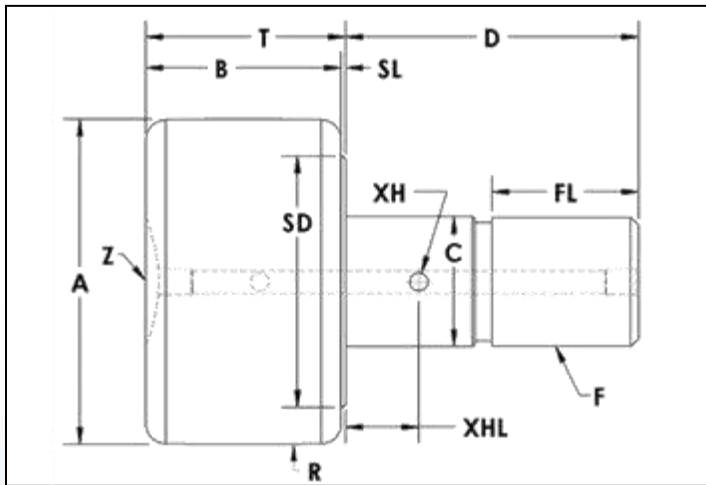
Yoke Type Cam Follower Part Number	Basic Radial Dynamic Load Rating (lbs) C	Basic Radial Static Load Rating (lbs) Co	Seal Type	Bearing Type	Approx. Roller Weight (lbs)
YCF-2.00-S	8,090	21,140	Moly-Filled Nylon Lip	FC Needle	0.91
YCF-2.25-S	8,090	21,140	Moly-Filled Nylon Lip	FC Needle	1.20
YCF-2.50-S	11,720	32,900	Moly-Filled Nylon Lip	FC Needle	1.72
YCF-2.75-S	11,720	32,900	Moly-Filled Nylon Lip	FC Needle	2.15
YCF-3.00-S	17,620	49,820	Moly-Filled Nylon Lip	FC Needle	2.83
YCF-3.25-S	17,620	49,820	Moly-Filled Nylon Lip	FC Needle	3.41
YCF-3.50-S	23,630	63,250	Moly-Filled Nylon Lip	FC Needle	4.48
YCF-4.00-S	30,270	89,540	Moly-Filled Nylon Lip	FC Needle	6.73
YCF-5.00-S	53,590	135,900	Moly-Filled Nylon Lip	FC Needle	12.49
YCF-6.00-S	61,690	160,900	Moly-Filled Nylon Lip	FC Needle	20.72
YCF-7.00-S	81,860	213,860	Moly-Filled Nylon Lip	FC Needle	32.61
YCF-8.00-S	111,400	288,200	Moly-Filled Nylon Lip	FC Needle	47.46
YCF-9.00-S	151,400	366,860	Moly-Filled Nylon Lip	FC Needle	65.68
YCF-10.00-S	160,480	431,130	Moly-Filled Nylon Lip	FC Needle	89.56
YCF-12.00-S	160,480	431,130	Moly-Filled Nylon Lip	FC Needle	140.00
YCF-14.00-S	160,480	431,130	Moly-Filled Nylon Lip	FC Needle	199.62
YCF-16.00-S	160,480	431,130	Moly-Filled Nylon Lip	FC Needle	268.41
YCF-18.00-S	160,480	431,130	Moly-Filled Nylon Lip	FC Needle	346.83
YCF-20.00-S	160,480	431,130	Moly-Filled Nylon Lip	FC Needle	433.53

# SCCF-S Series Cam Follower

Crowned/Spherical – Stud Type Concentric – Screwdriver Slot  
Full Complement Needle Bearings - Regreasable



(989)358-6148  
www.pcimfg.com



FEATURING  
∞ INFINITY ROLLER™  
TECHNOLOGY

Stud Type Cam Follower Part Number	A	B	C	D	F	FL	R	SD	SL	T	XH	XHL	Z
	Roller Dia. +.000 -.001	Roller Width	Stud Dia. +.000 -.001	Stud Length	Thread Size	Thread Length	Crown Radius	Shoulder Dia.	Shoulder Length	Roller Width + Shoulder Length	Crosshole Dia	Crosshole Location	Lube Size
SCCF-2.00-S	2.000	1.25	0.875	2.00	7/8 - 14	1.00	24	1.6	0.03	1.28	0.13	0.50	3/16 Drive
SCCF-2.25-S	2.250	1.25	0.875	2.00	7/8 - 14	1.00	24	1.6	0.03	1.28	0.13	0.50	3/16 Drive
SCCF-2.50-S	2.500	1.50	1.000	2.25	1 - 14	1.13	30	1.9	0.03	1.53	0.13	0.56	3/16 Drive
SCCF-2.75-S	2.750	1.50	1.000	2.25	1 - 14	1.13	30	1.9	0.03	1.53	0.13	0.56	3/16 Drive
SCCF-3.00-S	3.000	1.75	1.250	2.50	1 1/4 - 12	1.25	30	2.2	0.03	1.78	0.13	0.63	1/4 Drive
SCCF-3.25-S	3.250	1.75	1.250	2.50	1 1/4 - 12	1.25	30	2.2	0.03	1.78	0.13	0.63	1/4 Drive
SCCF-3.50-S	3.500	2.00	1.375	2.75	1 3/8 - 12	1.38	30	2.5	0.03	2.03	0.13	0.69	1/4 Drive
SCCF-4.00-S	4.000	2.25	1.500	3.50	1 1/2 - 12	1.50	30	2.9	0.03	2.28	0.13	0.75	1/4 Drive



# SCCF-S Series Cam Follower

Crowned/Spherical – Stud Type Concentric – Screwdriver Slot  
Full Complement Needle Bearings - Regreasable



## ADDITIONAL NOTES

\*For lubricated threads, use half the maximum clamping torque value shown.

FC Needle:  
Full Complement Needle Bearings – Alloy Steel

FEATURING ∞ INFINITY ROLLER™ TECHNOLOGY

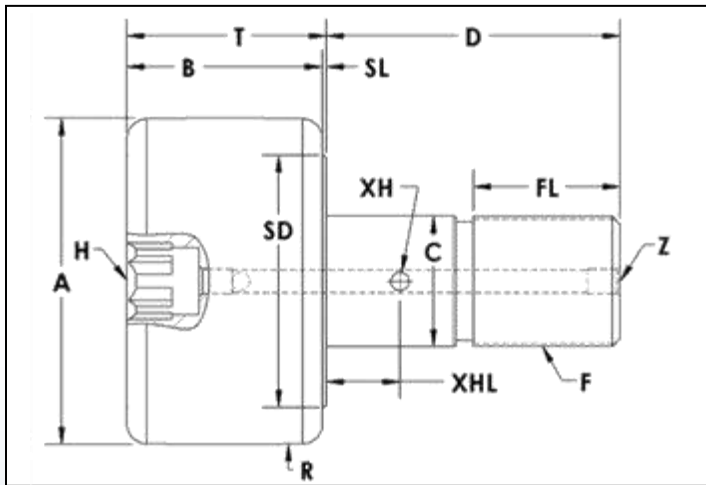
Grease Fittings & Jam Nut/Lock Washer sets are available at an additional cost.

Specifications subject to change without notice.

Stud Type Cam Follower Part Number	Basic Radial Dynamic Load Rating (lbs) C	Basic Radial Static Load Rating (lbs) Co	Stud Capacity (lbs)	Max. Clamping Torque (in-lbs)*	Seal Type	Bearing Type	Approx. Roller Weight (lbs)
SCCF-2.00-S	8,090	21,140	6,260	1,200	Moly-Filled Nylon Lip	FC Needle	1.30
SCCF-2.25-S	8,090	21,140	6,260	1,200	Moly-Filled Nylon Lip	FC Needle	1.58
SCCF-2.50-S	11,720	32,900	7,820	2,250	Moly-Filled Nylon Lip	FC Needle	2.34
SCCF-2.75-S	11,720	32,900	7,820	2,250	Moly-Filled Nylon Lip	FC Needle	2.76
SCCF-3.00-S	17,620	49,820	13,120	2,250	Moly-Filled Nylon Lip	FC Needle	3.91
SCCF-3.25-S	17,620	49,820	13,120	2,250	Moly-Filled Nylon Lip	FC Needle	4.51
SCCF-3.50-S	23,630	63,250	15,310	5,000	Moly-Filled Nylon Lip	FC Needle	5.99
SCCF-4.00-S	30,270	89,540	17,700	5,000	Moly-Filled Nylon Lip	FC Needle	8.97

# SCCF-SH Series Cam Follower

Crowned/Spherical – Stud Type Concentric – Hex Socket  
Full Complement Needle Bearings - Regreasable



FEATURING  
∞ INFINITY ROLLER™  
TECHNOLOGY

Stud Type Cam Follower Part Number	A	B	C	D	F	FL	H	R	SD	SL	T	XH	XHL	Z
	Roller Dia. +.000 -.001	Roller Width	Stud Dia. +.000 -.001	Stud Length	Thread Size	Thread Length	Hex Size	Crown Radius	Shoulder Dia.	Shoulder Length	Roller Width + Shoulder Length	Crosshole Dia	Crosshole Location	Lube Size
SCCF-2.00-SH	2.000	1.25	0.875	2.00	7/8 - 14	1.00	7/16	24	1.6	0.03	1.28	0.13	0.50	3/16 Drive†
SCCF-2.00-SH-THT	2.000	1.25	0.875	2.00	7/8 - 14	1.00	7/16	24	1.6	0.03	1.28	-	-	1/8-27 NPT‡
SCCF-2.25-SH	2.250	1.25	0.875	2.00	7/8 - 14	1.00	7/16	24	1.6	0.03	1.28	0.13	0.50	3/16 Drive†
SCCF-2.25-SH-THT	2.250	1.25	0.875	2.00	7/8 - 14	1.00	7/16	24	1.6	0.03	1.28	-	-	1/8-27 NPT‡
SCCF-2.50-SH	2.500	1.50	1.000	2.25	1 - 14	1.13	1/2	30	1.9	0.03	1.53	0.13	0.56	3/16 Drive†
SCCF-2.50-SH-THT	2.500	1.50	1.000	2.25	1 - 14	1.13	1/2	30	1.9	0.03	1.53	-	-	1/8-27 NPT‡
SCCF-2.75-SH	2.750	1.50	1.000	2.25	1 - 14	1.13	1/2	30	1.9	0.03	1.53	0.13	0.56	3/16 Drive†
SCCF-2.75-SH-THT	2.750	1.50	1.000	2.25	1 - 14	1.13	1/2	30	1.9	0.03	1.53	-	-	1/8-27 NPT‡
SCCF-3.00-SH	3.000	1.75	1.250	2.50	1 1/4 - 12	1.25	3/4	30	2.2	0.03	1.78	0.13	0.63	1/4 Drive
SCCF-3.00-SH-THT	3.000	1.75	1.250	2.50	1 1/4 - 12	1.25	3/4	30	2.2	0.03	1.78	0.13	0.63	1/8-27 NPT
SCCF-3.25-SH	3.250	1.75	1.250	2.50	1 1/4 - 12	1.25	3/4	30	2.2	0.03	1.78	0.13	0.63	1/4 Drive
SCCF-3.25-SH-THT	3.250	1.75	1.250	2.50	1 1/4 - 12	1.25	3/4	30	2.2	0.03	1.78	0.13	0.63	1/8-27 NPT
SCCF-3.50-SH	3.500	2.00	1.375	2.75	1 3/8 - 12	1.38	3/4	30	2.5	0.03	2.03	0.13	0.69	1/4 Drive
SCCF-3.50-SH-THT	3.500	2.00	1.375	2.75	1 3/8 - 12	1.38	3/4	30	2.5	0.03	2.03	0.13	0.69	1/8-27 NPT
SCCF-4.00-SH	4.000	2.25	1.500	3.50	1 1/2 - 12	1.50	3/4	30	2.9	0.03	2.28	0.13	0.75	1/4 Drive
SCCF-4.00-SH-THT	4.000	2.25	1.500	3.50	1 1/2 - 12	1.50	3/4	30	2.9	0.03	2.28	0.13	0.75	1/8-27 NPT
SCCF-5.00-SH	5.000	2.75	2.000	5.06	2 - 12	2.56	7/8	48	3.9	0.06	2.81	0.19	0.88	1/4-18 NPT
SCCF-6.00-SH	6.000	3.25	2.500	6.00	2 1/2 - 12	3.00	1	56	4.9	0.06	3.31	0.19	1.00	1/4-18 NPT
SCCF-7.00-SH	7.000	3.75	3.000	7.69	3 - 12	4.13	1 1/4	60	5.4	0.06	3.81	0.19	1.25	1/4-18 NPT
SCCF-8.00-SH	8.000	4.25	3.250	8.50	3 1/4 - 4	4.25	1 1/4	40	6.4	0.13	5.13*	-	-	1/4-18 NPT
SCCF-9.00-SH	9.000	4.75	3.750	9.50	3 1/2 - 4	4.75	1 1/4	40	7.4	0.13	5.63*	-	-	1/4-18 NPT
SCCF-10.00-SH	10.000	5.25	4.250	10.00	3 1/2 - 4	4.75	1 1/4	40	7.4	0.13	6.13*	-	-	1/4-18 NPT

† Lubrication through threaded end and cross hole only

‡ Lubrication through threaded end only

\* Stud extends .750" beyond the roller body on end opposite the threads

# SCCF-SH Series Cam Follower

Crowned/Spherical – Stud Type Concentric – Hex Socket  
Full Complement Needle Bearings - Regreasable



## ADDITIONAL NOTES

\*For lubricated threads, use half the maximum clamping torque value shown.

FC Needle:  
Full Complement Needle Bearings – Alloy Steel

FEATURING ∞ INFINITY ROLLER™ TECHNOLOGY

Grease Fittings & Jam Nut/Lock Washer sets are available at an additional cost.

Specifications subject to change without notice.

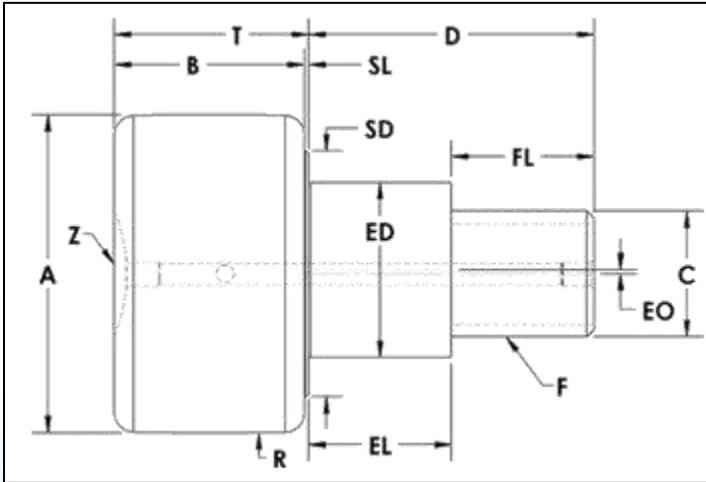
Stud Type Cam Follower Part Number	Basic Radial Dynamic Load Rating (lbs) C	Basic Radial Static Load Rating (lbs) Co	Stud Capacity (lbs)	Max. Clamping Torque (in-lbs)*	Seal Type	Bearing Type	Approx. Roller Weight (lbs)
SCCF-2.00-SH	8,090	21,140	6,260	1,200	Moly-Filled Nylon Lip	FC Needle	1.30
SCCF-2.00-SH-THT	8,090	21,140	6,260	1,200	Moly-Filled Nylon Lip	FC Needle	1.30
SCCF-2.25-SH	8,090	21,140	6,260	1,200	Moly-Filled Nylon Lip	FC Needle	1.58
SCCF-2.25-SH-THT	8,090	21,140	6,260	1,200	Moly-Filled Nylon Lip	FC Needle	1.58
SCCF-2.50-SH	11,720	32,900	7,820	2,250	Moly-Filled Nylon Lip	FC Needle	2.34
SCCF-2.50-SH-THT	11,720	32,900	7,820	2,250	Moly-Filled Nylon Lip	FC Needle	2.34
SCCF-2.75-SH	11,720	32,900	7,820	2,250	Moly-Filled Nylon Lip	FC Needle	2.76
SCCF-2.75-SH-THT	11,720	32,900	7,820	2,250	Moly-Filled Nylon Lip	FC Needle	2.76
SCCF-3.00-SH	17,620	49,820	13,120	2,250	Moly-Filled Nylon Lip	FC Needle	3.91
SCCF-3.00-SH-THT	17,620	49,820	13,120	2,250	Moly-Filled Nylon Lip	FC Needle	3.91
SCCF-3.25-SH	17,620	49,820	13,120	2,250	Moly-Filled Nylon Lip	FC Needle	4.51
SCCF-3.25-SH-THT	17,620	49,820	13,120	2,250	Moly-Filled Nylon Lip	FC Needle	4.51
SCCF-3.50-SH	23,630	63,250	15,310	5,000	Moly-Filled Nylon Lip	FC Needle	5.99
SCCF-3.50-SH-THT	23,630	63,250	15,310	5,000	Moly-Filled Nylon Lip	FC Needle	5.99
SCCF-4.00-SH	30,270	89,540	17,700	5,000	Moly-Filled Nylon Lip	FC Needle	8.97
SCCF-4.00-SH-THT	30,270	89,540	17,700	5,000	Moly-Filled Nylon Lip	FC Needle	8.97
SCCF-5.00-SH	53,590	135,900	34,040	5,000	Moly-Filled Nylon Lip	FC Needle	18.16
SCCF-6.00-SH	61,690	160,900	56,450	5,000	Moly-Filled Nylon Lip	FC Needle	31.66
SCCF-7.00-SH	81,860	213,860	84,740	5,000	Moly-Filled Nylon Lip	FC Needle	52.93
SCCF-8.00-SH	111,400	288,200	80,020	5,000	Moly-Filled Nylon Lip	FC Needle	81.61
SCCF-9.00-SH	151,400	366,860	112,010	5,000	Moly-Filled Nylon Lip	FC Needle	114.15
SCCF-10.00-SH	160,480	431,130	149,750	5,000	Moly-Filled Nylon Lip	FC Needle	150.38

# SCCFE-S Series Cam Follower

Crowned/Spherical – Stud Type Eccentric – Screwdriver Slot  
Full Complement Needle Bearings - Regreasable



(989)358-6148  
www.pcimfg.com



FEATURING  
∞ INFINITY ROLLER™  
TECHNOLOGY

Stud Type Cam Follower Part Number	A	B	C	D	ED	EL	EO	F	FL	R	SD	SL	T	Z
	Roller Dia. +.000 -.001	Roller Width	Stud Dia.	Stud Length	Ecc Dia +.000 -.002	Ecc Length	Ecc Offset	Thread Size	Thread Length	Crown Radius	Shoulder Dia.	Shoulder Length	Roller Width + Shoulder Length	Lube Size
SCCFE-2.00-S	2.000	1.25	0.875	2.00	1.187	1.00	0.03	7/8 - 14	1.00	24	1.6	0.03	1.28	3/16 Drive
SCCFE-2.25-S	2.250	1.25	0.875	2.00	1.187	1.00	0.03	7/8 - 14	1.00	24	1.6	0.03	1.28	3/16 Drive
SCCFE-2.50-S	2.500	1.50	1.000	2.25	1.375	1.13	0.03	1 - 14	1.13	30	1.9	0.03	1.53	3/16 Drive
SCCFE-2.75-S	2.750	1.50	1.000	2.25	1.375	1.13	0.03	1 - 14	1.13	30	1.9	0.03	1.53	3/16 Drive
SCCFE-3.00-S	3.000	1.75	1.250	2.50	1.750	1.25	0.06	1 1/4 - 12	1.25	30	2.2	0.03	1.78	1/4 Drive
SCCFE-3.25-S	3.250	1.75	1.250	2.50	1.750	1.25	0.06	1 1/4 - 12	1.25	30	2.2	0.03	1.78	1/4 Drive
SCCFE-3.50-S	3.500	2.00	1.375	2.75	1.812	1.38	0.06	1 3/8 - 12	1.38	30	2.5	0.03	2.03	1/4 Drive
SCCFE-4.00-S	4.000	2.25	1.500	3.50	2.000	2.00	0.06	1 1/2 - 12	1.50	30	2.9	0.03	2.28	1/4 Drive

# SCCFE-S Series Cam Follower

Crowned/Spherical – Stud Type Eccentric – Screwdriver Slot  
Full Complement Needle Bearings - Regreasable



## ADDITIONAL NOTES

\*For lubricated threads, use half the maximum clamping torque value shown.

FC Needle:  
Full Complement Needle Bearings – Alloy Steel

FEATURING ∞ INFINITY ROLLER™ TECHNOLOGY

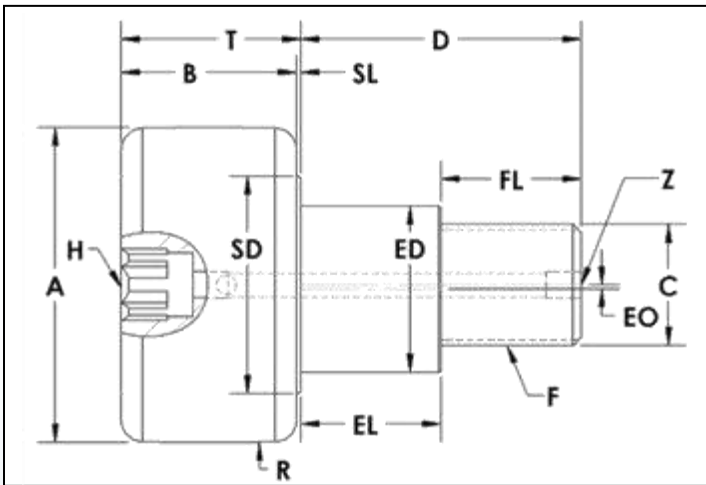
Grease Fittings & Jam Nut/Lock Washer sets are available at an additional cost.

Specifications subject to change without notice.

Stud Type Cam Follower Part Number	Basic Radial Dynamic Load Rating (lbs) C	Basic Radial Static Load Rating (lbs) Co	Stud Capacity (lbs)	Max. Clamping Torque (in-lbs)*	Seal Type	Bearing Type	Approx. Roller Weight (lbs)
SCCFE-2.00-S	8,090	21,140	6,260	1,200	Moly-Filled Nylon Lip	FC Needle	1.43
SCCFE-2.25-S	8,090	21,140	6,260	1,200	Moly-Filled Nylon Lip	FC Needle	1.72
SCCFE-2.50-S	11,720	32,900	7,820	2,250	Moly-Filled Nylon Lip	FC Needle	2.54
SCCFE-2.75-S	11,720	32,900	7,820	2,250	Moly-Filled Nylon Lip	FC Needle	2.96
SCCFE-3.00-S	17,620	49,820	13,120	2,250	Moly-Filled Nylon Lip	FC Needle	4.25
SCCFE-3.25-S	17,620	49,820	13,120	2,250	Moly-Filled Nylon Lip	FC Needle	4.91
SCCFE-3.50-S	23,630	63,250	15,310	5,000	Moly-Filled Nylon Lip	FC Needle	6.39
SCCFE-4.00-S	30,270	89,540	17,700	5,000	Moly-Filled Nylon Lip	FC Needle	9.82

# SCCFE-SH Series Cam Follower

Crowned/Spherical – Stud Type Eccentric – Hex Socket  
Full Complement Needle Bearings - Regreasable



FEATURING  
∞ INFINITY ROLLER™  
TECHNOLOGY

Stud Type Cam Follower Part Number	A	B	C	D	ED	EL	EO	F	FL	H	R	SD	SL	T	Z
	Roller Dia. +0.00 -0.001	Roller Width	Stud Dia.	Stud Length	Ecc Dia +0.00 -0.002	Ecc Length	Ecc Offset	Thread Size	Thread Length	Hex Size	Crown Radius	Shoulder Dia.	Shoulder Length	Roller Width + Shoulder Length	Lube Size
SCCFE-2.00-SH	2.000	1.25	0.875	2.00	1.187	1.00	0.03	7/8 - 14	1.00	7/16	24	1.6	0.03	1.28	3/16 Drive†
SCCFE-2.00-SH-THT	2.000	1.25	0.875	2.00	1.187	1.00	0.03	7/8 - 14	1.00	7/16	24	1.6	0.03	1.28	1/8-27 NPT†
SCCFE-2.25-SH	2.250	1.25	0.875	2.00	1.187	1.00	0.03	7/8 - 14	1.00	7/16	24	1.6	0.03	1.28	3/16 Drive†
SCCFE-2.25-SH-THT	2.250	1.25	0.875	2.00	1.187	1.00	0.03	7/8 - 14	1.00	7/16	24	1.6	0.03	1.28	1/8-27 NPT†
SCCFE-2.50-SH	2.500	1.50	1.000	2.25	1.375	1.13	0.03	1 - 14	1.13	1/2	30	1.9	0.03	1.53	3/16 Drive†
SCCFE-2.50-SH-THT	2.500	1.50	1.000	2.25	1.375	1.13	0.03	1 - 14	1.13	1/2	30	1.9	0.03	1.53	1/8-27 NPT†
SCCFE-2.75-SH	2.750	1.50	1.000	2.25	1.375	1.13	0.03	1 - 14	1.13	1/2	30	1.9	0.03	1.53	3/16 Drive†
SCCFE-2.75-SH-THT	2.750	1.50	1.000	2.25	1.375	1.13	0.03	1 - 14	1.13	1/2	30	1.9	0.03	1.53	1/8-27 NPT†
SCCFE-3.00-SH	3.000	1.75	1.250	2.50	1.750	1.25	0.06	1 1/4 - 12	1.25	3/4	30	2.2	0.03	1.78	1/4 Drive
SCCFE-3.00-SH-THT	3.000	1.75	1.250	2.50	1.750	1.25	0.06	1 1/4 - 12	1.25	3/4	30	2.2	0.03	1.78	1/8-27 NPT
SCCFE-3.25-SH	3.250	1.75	1.250	2.50	1.750	1.25	0.06	1 1/4 - 12	1.25	3/4	30	2.2	0.03	1.78	1/4 Drive
SCCFE-3.25-SH-THT	3.250	1.75	1.250	2.50	1.750	1.25	0.06	1 1/4 - 12	1.25	3/4	30	2.2	0.03	1.78	1/8-27 NPT
SCCFE-3.50-SH	3.500	2.00	1.375	2.75	1.812	1.38	0.06	1 3/8 - 12	1.38	3/4	30	2.5	0.03	2.03	1/4 Drive
SCCFE-3.50-SH-THT	3.500	2.00	1.375	2.75	1.812	1.38	0.06	1 3/8 - 12	1.38	3/4	30	2.5	0.03	2.03	1/8-27 NPT
SCCFE-4.00-SH	4.000	2.25	1.500	3.50	2.000	2.00	0.06	1 1/2 - 12	1.50	3/4	30	2.9	0.03	2.28	1/4 Drive
SCCFE-4.00-SH-THT	4.000	2.25	1.500	3.50	2.000	2.00	0.06	1 1/2 - 12	1.50	3/4	30	2.9	0.03	2.28	1/8-27 NPT

† Lubrication through threaded end and cross hole only

# SCCFE-SH Series Cam Follower

Crowned/Spherical – Stud Type Eccentric – Hex Socket  
Full Complement Needle Bearings - Regreasable



## ADDITIONAL NOTES

\*For lubricated threads, use half the maximum clamping torque value shown.

FC Needle:  
Full Complement Needle Bearings – Alloy Steel

FEATURING ∞ INFINITY ROLLER™ TECHNOLOGY

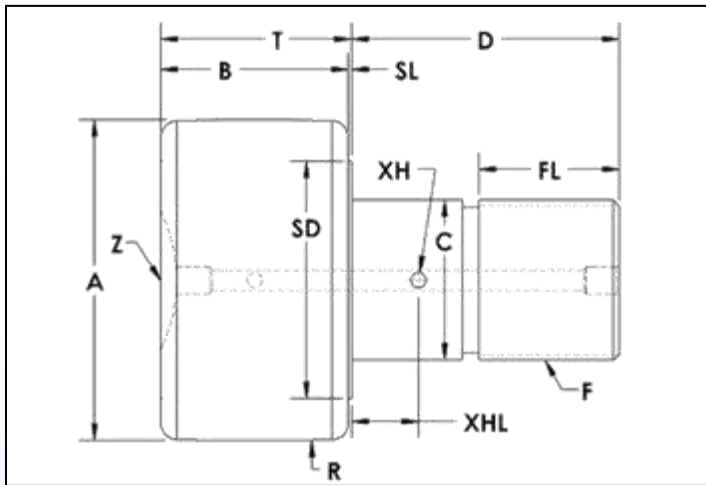
Grease Fittings & Jam Nut/Lock Washer sets are available at an additional cost.

Specifications subject to change without notice.

Stud Type Cam Follower Part Number	Basic Radial Dynamic Load Rating (lbs) C	Basic Radial Static Load Rating (lbs) Co	Stud Capacity (lbs)	Max. Clamping Torque (in-lbs) *	Seal Type	Bearing Type	Approx. Roller Weight (lbs)
SCCFE-2.00-SH	8,090	21,140	6,260	1,200	Moly-Filled Nylon Lip	FC Needle	1.43
SCCFE-2.00-SH-THT	8,090	21,140	6,260	1,200	Moly-Filled Nylon Lip	FC Needle	1.43
SCCFE-2.25-SH	8,090	21,140	6,260	1,200	Moly-Filled Nylon Lip	FC Needle	1.72
SCCFE-2.25-SH-THT	8,090	21,140	6,260	1,200	Moly-Filled Nylon Lip	FC Needle	1.72
SCCFE-2.50-SH	11,720	32,900	7,820	2,250	Moly-Filled Nylon Lip	FC Needle	2.54
SCCFE-2.50-SH-THT	11,720	32,900	7,820	2,250	Moly-Filled Nylon Lip	FC Needle	2.54
SCCFE-2.75-SH	11,720	32,900	7,820	2,250	Moly-Filled Nylon Lip	FC Needle	2.96
SCCFE-2.75-SH-THT	11,720	32,900	7,820	2,250	Moly-Filled Nylon Lip	FC Needle	2.96
SCCFE-3.00-SH	17,620	49,820	13,120	2,250	Moly-Filled Nylon Lip	FC Needle	4.25
SCCFE-3.00-SH-THT	17,620	49,820	13,120	2,250	Moly-Filled Nylon Lip	FC Needle	4.25
SCCFE-3.25-SH	17,620	49,820	13,120	2,250	Moly-Filled Nylon Lip	FC Needle	4.91
SCCFE-3.25-SH-THT	17,620	49,820	13,120	2,250	Moly-Filled Nylon Lip	FC Needle	4.91
SCCFE-3.50-SH	23,630	63,250	15,310	5,000	Moly-Filled Nylon Lip	FC Needle	6.39
SCCFE-3.50-SH-THT	23,630	63,250	15,310	5,000	Moly-Filled Nylon Lip	FC Needle	6.39
SCCFE-4.00-SH	30,270	89,540	17,700	5,000	Moly-Filled Nylon Lip	FC Needle	9.82
SCCFE-4.00-SH-THT	30,270	89,540	17,700	5,000	Moly-Filled Nylon Lip	FC Needle	9.82

# HCCF-S Series Cam Follower

Crowned/Spherical – Heavy Stud Type Concentric – Screwdriver Slot  
Full Complement Needle Bearings - Regreasable



FEATURING  
∞ INFINITY ROLLER™  
TECHNOLOGY

Stud Type Cam Follower Part Number	A	B	C	D	F	FL	R	SD	SL	T	XH	XHL	Z
	Roller Dia. +.000 -.001	Roller Width	Stud Dia. +.000 -.001	Stud Length	Thread Size	Thread Length	Crown Radius	Shoulder Dia.	Shoulder Length	Roller Width + Shoulder Length	Crosshole Dia	Crosshole Location	Lube Size
HCCF-2.00-S	2.000	1.25	1.125	2.00	1 1/8 - 12	1.00	24	1.6	0.03	1.28	0.13	0.50	3/16 Drive
HCCF-2.25-S	2.250	1.25	1.125	2.00	1 1/8 - 12	1.00	24	1.6	0.03	1.28	0.13	0.50	3/16 Drive
HCCF-2.50-S	2.500	1.50	1.250	2.25	1 1/4 - 12	1.13	30	1.9	0.03	1.53	0.13	0.56	3/16 Drive
HCCF-2.75-S	2.750	1.50	1.250	2.25	1 1/4 - 12	1.13	30	1.9	0.03	1.53	0.13	0.56	3/16 Drive
HCCF-3.00-S	3.000	1.75	1.500	2.50	1 1/2 - 12	1.31	30	2.2	0.03	1.78	0.13	0.63	1/4 Drive
HCCF-3.25-S	3.250	1.75	1.500	2.50	1 1/2 - 12	1.31	30	2.2	0.03	1.78	0.13	0.63	1/4 Drive
HCCF-3.50-S	3.500	2.00	1.750	2.75	1 3/4 - 12	1.38	30	2.5	0.03	2.03	0.13	0.69	1/4 Drive
HCCF-4.00-S	4.000	2.25	2.000	3.50	2 - 12	1.69	30	2.9	0.03	2.28	0.13	0.75	1/4 Drive



# HCCF-S Series Cam Follower

Crowned/Spherical – Heavy Stud Type Concentric – Screwdriver Slot  
Full Complement Needle Bearings - Regreasable



## ADDITIONAL NOTES

\*For lubricated threads, use half the maximum clamping torque value shown.

FC Needle:  
Full Complement Needle Bearings – Alloy Steel

FEATURING ∞ INFINITY ROLLER™ TECHNOLOGY

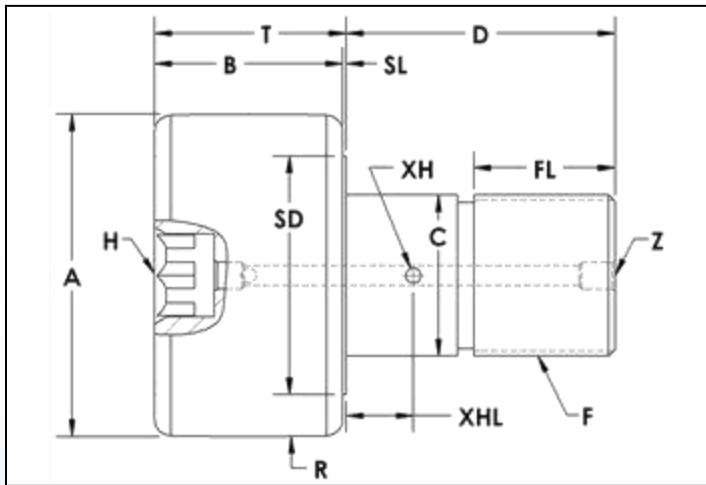
Grease Fittings & Jam Nut/Lock Washer sets are available at an additional cost.

Specifications subject to change without notice.

Stud Type Cam Follower Part Number	Basic Radial Dynamic Load Rating (lbs) C	Basic Radial Static Load Rating (lbs) Co	Stud Capacity (lbs)	Max. Clampin g Torque (in-lbs)*	Seal Type	Bearing Type	Approx. Roller Weight (lbs)
HCCF-2.00-S	8,090	21,140	13,300	1,500	Moly-Filled Nylon Lip	FC Needle	1.51
HCCF-2.25-S	8,090	21,140	13,300	1,500	Moly-Filled Nylon Lip	FC Needle	1.78
HCCF-2.50-S	11,720	32,900	15,270	2,250	Moly-Filled Nylon Lip	FC Needle	2.59
HCCF-2.75-S	11,720	32,900	15,270	2,250	Moly-Filled Nylon Lip	FC Needle	3.01
HCCF-3.00-S	17,620	49,820	22,670	3,450	Moly-Filled Nylon Lip	FC Needle	4.28
HCCF-3.25-S	17,620	49,820	22,670	3,450	Moly-Filled Nylon Lip	FC Needle	4.88
HCCF-3.50-S	23,630	63,250	31,030	5,000	Moly-Filled Nylon Lip	FC Needle	6.68
HCCF-4.00-S	30,270	89,540	41,960	5,000	Moly-Filled Nylon Lip	FC Needle	10.29

# HCCF-SH Series Cam Follower

Crowned/Spherical – Heavy Stud Type Concentric – Hex Socket  
Full Complement Needle Bearings - Regreasable



FEATURING  
∞ INFINITY ROLLER™  
TECHNOLOGY

Stud Type Cam Follower Part Number	A	B	C	D	F	FL	H	R	SD	SL	T	XH	XHL	Z
	Roller Dia. +.000 -.001	Roller Width	Stud Dia. +.000 -.001	Stud Length	Thread Size	Thread Length	Hex Size	Crown Radius	Shoulder Dia.	Shoulder Length	Roller Width + Shoulder Length	Crosshole Dia	Crosshole Location	Lube Size
HCCF-2.00-SH	2.000	1.25	1.125	2.00	1 1/8 - 12	1.00	7/16	24	1.6	0.03	1.28	0.13	0.50	3/16 Drive†
HCCF-2.25-SH	2.250	1.25	1.125	2.00	1 1/8 - 12	1.00	7/16	24	1.6	0.03	1.28	0.13	0.50	3/16 Drive†
HCCF-2.50-SH	2.500	1.50	1.250	2.25	1 1/4 - 12	1.13	1/2	30	1.9	0.03	1.53	0.13	0.56	3/16 Drive†
HCCF-2.75-SH	2.750	1.50	1.250	2.25	1 1/4 - 12	1.13	1/2	30	1.9	0.03	1.53	0.13	0.56	3/16 Drive†
HCCF-3.00-SH	3.000	1.75	1.500	2.50	1 1/2 - 12	1.31	3/4	30	2.2	0.03	1.78	0.13	0.63	1/4 Drive
HCCF-3.25-SH	3.250	1.75	1.500	2.50	1 1/2 - 12	1.31	3/4	30	2.2	0.03	1.78	0.13	0.63	1/4 Drive
HCCF-3.50-SH	3.500	2.00	1.750	2.75	1 3/4 - 12	1.38	3/4	30	2.5	0.03	2.03	0.13	0.69	1/4 Drive
HCCF-4.00-SH	4.000	2.25	2.000	3.50	2 - 12	1.69	3/4	30	2.9	0.03	2.28	0.13	0.75	1/4 Drive
HCCF-5.00-SH	5.000	2.75	2.500	5.06	2 1/2 - 12	2.56	7/8	48	3.9	0.06	2.81	0.19	0.88	1/4-18 NPT
HCCF-6.00-SH	6.000	3.25	3.000	6.00	3 - 12	3.00	1	56	4.9	0.06	3.31	0.19	1.00	1/4-18 NPT
HCCF-7.00-SH	7.000	3.75	3.500	7.69	3 1/2 - 4	4.13	1 1/4	60	5.4	0.06	3.81	0.19	1.25	1/4-18 NPT

† Lubrication through threaded end and cross hole only

# HCCF-SH Series Cam Follower

Crowned/Spherical – Heavy Stud Type Concentric – Hex Socket  
Full Complement Needle Bearings - Regreasable



## ADDITIONAL NOTES

\*For lubricated threads, use half the maximum clamping torque value shown.

FC Needle:  
Full Complement Needle Bearings – Alloy Steel

FEATURING ∞ INFINITY ROLLER™ TECHNOLOGY

Grease Fittings & Jam Nut/Lock Washer sets are available at an additional cost.

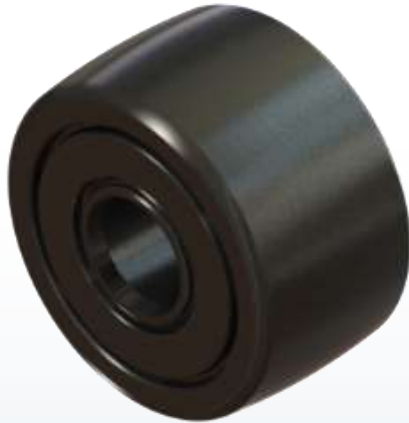
Specifications subject to change without notice.

Stud Type Cam Follower Part Number	Basic Radial Dynamic Load Rating (lbs) C	Basic Radial Static Load Rating (lbs) Co	Stud Capacity (lbs)	Max. Clamping Torque (in-lbs)*	Seal Type	Bearing Type	Approx. Roller Weight (lbs)
HCCF-2.00-SH	8,090	21,140	13,300	1,500	Moly-Filled Nylon Lip	FC Needle	1.51
HCCF-2.25-SH	8,090	21,140	13,300	1,500	Moly-Filled Nylon Lip	FC Needle	1.78
HCCF-2.50-SH	11,720	32,900	15,270	2,250	Moly-Filled Nylon Lip	FC Needle	2.59
HCCF-2.75-SH	11,720	32,900	15,270	2,250	Moly-Filled Nylon Lip	FC Needle	3.01
HCCF-3.00-SH	17,620	49,820	22,670	3,450	Moly-Filled Nylon Lip	FC Needle	4.28
HCCF-3.25-SH	17,620	49,820	22,670	3,450	Moly-Filled Nylon Lip	FC Needle	4.88
HCCF-3.50-SH	23,630	63,250	31,030	5,000	Moly-Filled Nylon Lip	FC Needle	6.68
HCCF-4.00-SH	30,270	89,540	41,960	5,000	Moly-Filled Nylon Lip	FC Needle	10.29
HCCF-5.00-SH	53,590	135,900	66,490	5,000	Moly-Filled Nylon Lip	FC Needle	20.64
HCCF-6.00-SH	61,690	160,900	97,540	5,000	Moly-Filled Nylon Lip	FC Needle	35.23
HCCF-7.00-SH	81,860	213,860	134,570	5,000	Moly-Filled Nylon Lip	FC Needle	57.74



# YCCF-S Series Cam Follower

Crowned/Spherical – Yoke Type Concentric  
Full Complement Needle Bearings - Regreasable



## ADDITIONAL NOTES

FC Needle: Full Complement Needle Bearings – Alloy Steel

FEATURING ∞ INFINITY ROLLER™ TECHNOLOGY

PCI Heavy Duty Yoke Shafts are available at an additional cost.  
See YSH page for details.

Specifications subject to change without notice.

Yoke Type Cam Follower Part Number	Basic Radial Dynamic Load Rating (lbs) C	Basic Radial Static Load Rating (lbs) Co	Seal Type	Bearing Type	Approx. Roller Weight (lbs)
YCCF-2.00-S	8,090	21,140	Moly-Filled Nylon Lip	FC Needle	0.90
YCCF-2.25-S	8,090	21,140	Moly-Filled Nylon Lip	FC Needle	1.17
YCCF-2.50-S	11,720	32,900	Moly-Filled Nylon Lip	FC Needle	1.70
YCCF-2.75-S	11,720	32,900	Moly-Filled Nylon Lip	FC Needle	2.13
YCCF-3.00-S	17,620	49,820	Moly-Filled Nylon Lip	FC Needle	2.80
YCCF-3.25-S	17,620	49,820	Moly-Filled Nylon Lip	FC Needle	3.38
YCCF-3.50-S	23,630	63,250	Moly-Filled Nylon Lip	FC Needle	4.44
YCCF-4.00-S	30,270	89,540	Moly-Filled Nylon Lip	FC Needle	6.65
YCCF-5.00-S	53,590	135,900	Moly-Filled Nylon Lip	FC Needle	12.41
YCCF-6.00-S	61,690	160,900	Moly-Filled Nylon Lip	FC Needle	20.62
YCCF-7.00-S	81,860	213,860	Moly-Filled Nylon Lip	FC Needle	32.16
YCCF-8.00-S	111,400	288,200	Moly-Filled Nylon Lip	FC Needle	46.85
YCCF-9.00-S	151,400	366,860	Moly-Filled Nylon Lip	FC Needle	64.82
YCCF-10.00-S	160,480	431,130	Moly-Filled Nylon Lip	FC Needle	88.70
YCCF-12.00-S	160,480	431,130	Moly-Filled Nylon Lip	FC Needle	138.45
YCCF-14.00-S	160,480	431,130	Moly-Filled Nylon Lip	FC Needle	197.80
YCCF-16.00-S	160,480	431,130	Moly-Filled Nylon Lip	FC Needle	266.34
YCCF-18.00-S	160,480	431,130	Moly-Filled Nylon Lip	FC Needle	344.05
YCCF-20.00-S	160,480	431,130	Moly-Filled Nylon Lip	FC Needle	430.94

# LOAD BEARING ROLLER ASSEMBLIES

∞ INFINITY ROLLER™ TECHNOLOGY

## DCB ROLLERS

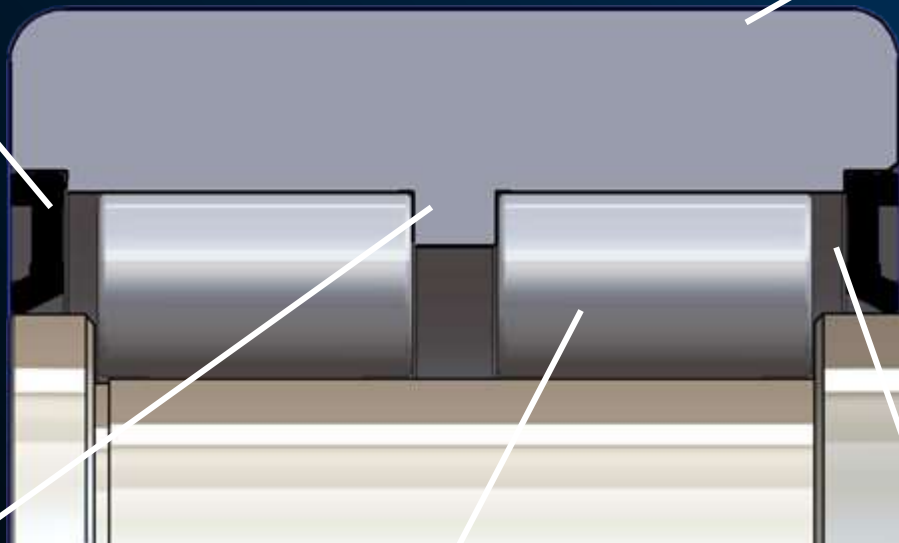
### Optimized Design for Maximum Life

#### IMPROVED SEALING

Rubber lip seals with expanded grease barrier maximize protection of rolling elements

#### CASE HARDENED ROLLER BODY

Maintains the integrity of the assembly by preventing pre-mature fracture under shock loads



#### GUIDED ROLLING ELEMENTS

Provides efficient handling of intermittent combination loads by reducing skewing of the rolling elements and minimizing internal contact points.

#### QUANTITY & SIZE OF ROLLING ELEMENTS

Increases operating efficiency by providing industry proven performance in dynamic load conditions.

#### ROLLING ELEMENT PROFILE

Lengthens component life by minimizing fatigue of the load bearing surfaces

#### GREASE STORAGE

Maximizes roller life by offering up to 20% more grease storage than competitive designs

#### BLACK OXIDE FINISH

PCI DCB Rollers have a black oxide finish on all external surfaces.

# LOAD BEARING ROLLER ASSEMBLIES

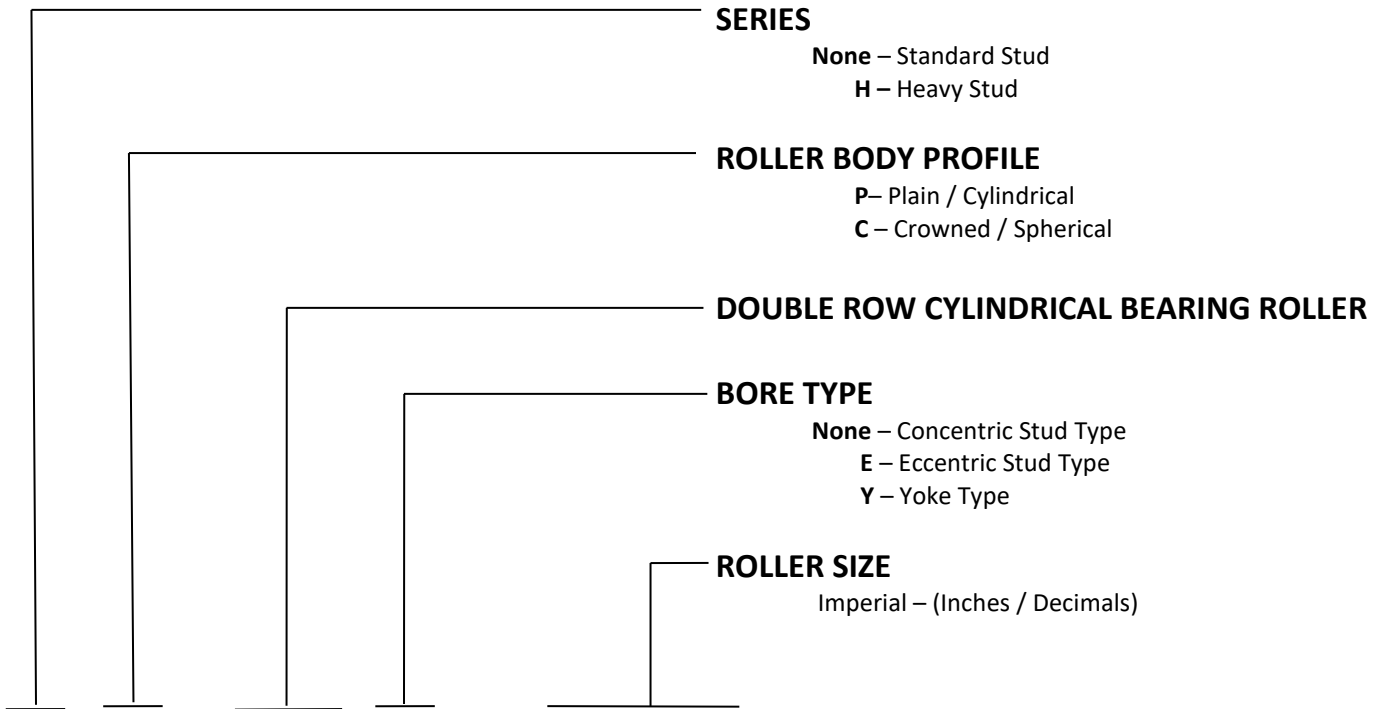
## DCB Roller Assemblies

### Part Numbering Nomenclature



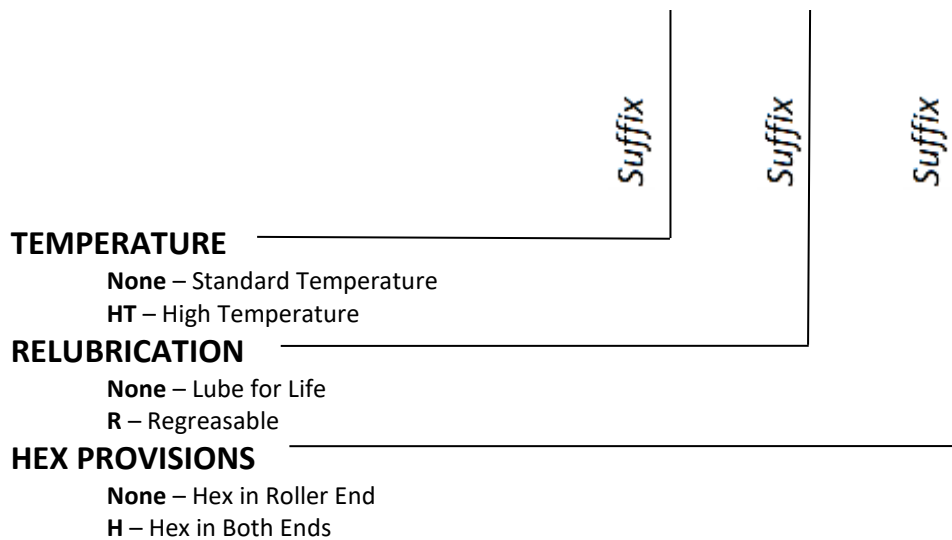
(989)358-6148

www.pcimfg.com



H C DC    - 2.50 - HT - R -   

*Heavy Stud, Crowned, DCB Roller, 2.50" Roller Diameter, High Temperature, Regreasable*



# DCB Roller Assemblies

## Double Row Cylindrical Bearing Rollers

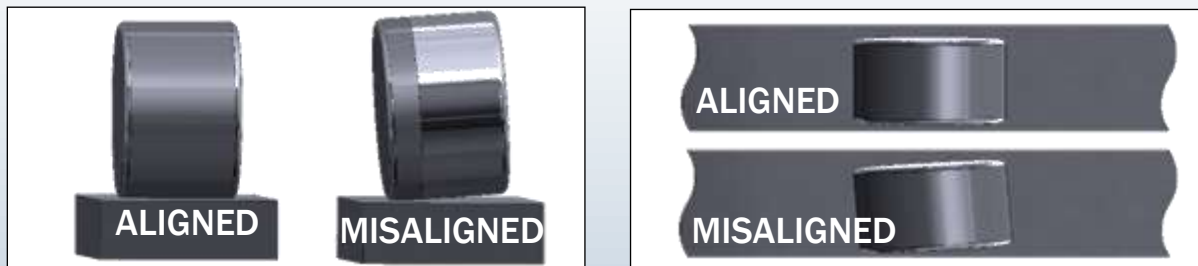


PCI has been developing Load Bearing Roller Assembly solutions for more than 35 years. An integral part of our success has been our commitment to understanding the ever-changing needs of our valued customers and developing solutions that turn application hurdles into success stories. It is this critical interaction that has fueled the development of our Double-Row Cylindrical Bearing Roller Assemblies, the PCI DCB Roller. PCI's unique DCB design addresses performance problems associated with traditional Cam Follower and Track Roller products while offering several unique advantages over competitive alternatives.

## ***LOAD ACCOMMODATION***

### **APPLICATION MISALIGNMENT**

Standard Cam Followers are very effective at accommodating radial load; however, internal design significantly limits their capacity to handle other types of load commonly found in real world applications. One of the most common is combination load produced from application misalignment. Combination load is comprised of both radial and thrust loads and is a large contributor to premature failure of Cam Followers. PCI DCB Rollers are designed to effectively accommodate combination load, providing a solution to performance problems associated with misalignment. Pictured below are common misalignment examples:



### **DYNAMIC LOAD CAPACITY**

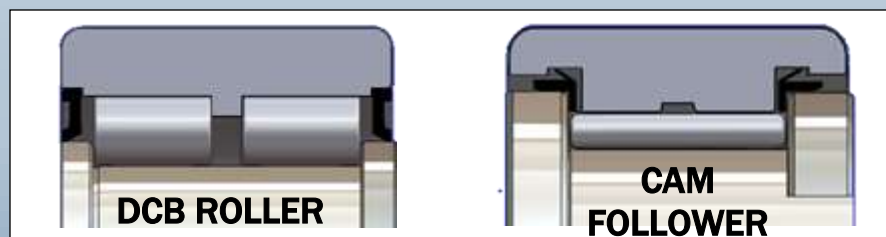
Traditional Load Bearing Roller Assembly products offer either significant radial capacity at low speeds or increased speed accommodation at reduced radial capacities. The PCI DCB Roller is designed to provide significant radial load capacity while operating at elevated speeds, a mixture of loads in a size package that no other Cam Follower or Track Roller product can offer.

## ***MAINTENANCE FREE OPERATION***

Most Cam Follower products are engineered to be re-lubricated at regular intervals in order to operate effectively. In applications where moderate to high levels of contaminant are present, the frequency of re-lubrication can be significant. DCB Rollers reduce maintenance costs by addressing two primary design characteristics:

### **SEALING PROVISIONS**

Needle Bearing Cam Follower products utilize nylon lip seals designed to provide low-level thrust capacity to the roller while providing some protection against contamination failure. Because of their dual-function purpose, nylon seals sacrifice sealing characteristics, struggling to compete against rubber seals in protection against external contamination. By engineering thrust accommodation into the internal design of the bearing, PCI DCB Rollers eliminate the need for the use of a dual purpose seal. This design improvement allows DCB Roller products the use of rubber lip seal technology as its protection against contamination, providing an industry proven solution to the problems commonly associated with Cam Follower designs.



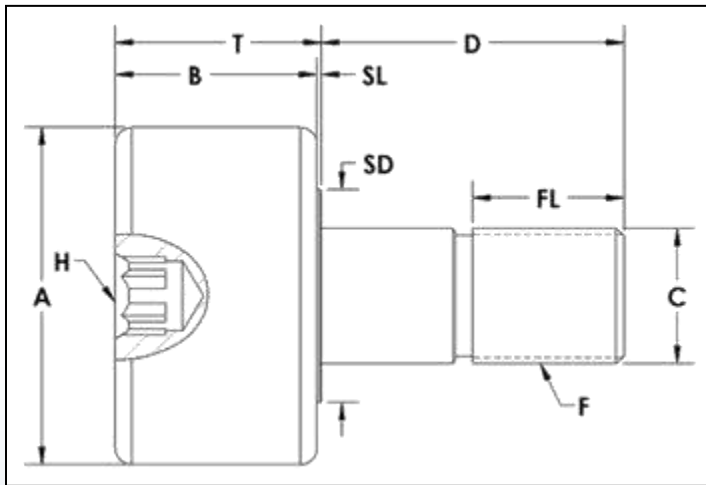
### **GREASE CAPACITY**

Internal design constraints limit traditional Cam Follower products in providing only a minimal amount of grease capacity to the bearing assembly. The minimal amount of lubrication limits the life of the Cam Follower once grease oxidation and break-down occur. PCI DCB Rollers are engineered with optimized grease capacity to ensure long-term operation, reducing the frequency of maintenance procedures. DCB Rollers provide up to 5 times the amount of grease capacity of standard Cam Follower products to ensure adequate lubrication for the assembly long after grease begins to oxidize.



# PDC Series DCB Roller

Plain/Cylindrical – Stud Type Concentric – Hex Socket  
Full Complement Cylindrical Roller Bearings



FEATURING  
∞ INFINITY ROLLER™  
TECHNOLOGY

Stud Type DCB Roller Part Number	A	B	C	D	F	FL	H	SD	SL	T
	Roller Dia. +0.000 -0.001	Roller Width	Stud Dia. +0.000 -0.001	Stud Length	Thread Size	Thread Length	Hex Size	Shoulder Dia.	Shoulder Length	Roller Width + Shoulder Length
PDC-2.00	2.000	1.25	0.875	2.00	7/8 - 14	1.00	7/16	1.2	0.03	1.28
PDC-2.25	2.250	1.25	0.875	2.00	7/8 - 14	1.00	7/16	1.2	0.03	1.28
PDC-2.50	2.500	1.50	1.000	2.25	1 - 14	1.13	1/2	1.6	0.03	1.53
PDC-2.75	2.750	1.50	1.000	2.25	1 - 14	1.13	1/2	1.6	0.03	1.53
PDC-3.00	3.000	1.75	1.250	2.50	1 1/4 - 12	1.25	3/4	1.9	0.03	1.78
PDC-3.25	3.250	1.75	1.250	2.50	1 1/4 - 12	1.25	3/4	1.9	0.03	1.78
PDC-3.50	3.500	2.00	1.375	2.75	1 3/8 - 12	1.38	3/4	2.1	0.03	2.03
PDC-4.00	4.000	2.25	1.500	3.50	1 1/2 - 12	1.50	3/4	2.3	0.03	2.28
PDC-5.00	5.000	2.75	2.000	5.06	2 - 12	2.56	7/8	2.9	0.06	2.81
PDC-6.00	6.000	3.25	2.500	6.00	2 1/2 - 12	3.00	1	3.6	0.06	3.31
PDC-7.00	7.000	3.75	3.000	7.68	3 - 12	4.13	1 1/4	4.1	0.06	3.81
PDC-8.00	8.000	4.25	3.250	8.50	3 1/4 - 4	4.25	1 1/4	4.7	0.13	4.38
PDC-9.00	9.000	4.75	3.750	9.50	3 1/2 - 4	4.75	1 1/4	5.3	0.13	4.90
PDC-10.00	10.000	5.25	4.250	10.00	3 1/2 - 4	4.75	1 1/4	5.8	0.13	5.38

# PDC Series DCB Roller

Plain/Cylindrical – Stud Type Concentric – Hex Socket  
Full Complement Cylindrical Roller Bearings



**ADDITIONAL NOTES**

\*For lubricated threads, use half the maximum clamping torque value shown.

FC DCRB: Full Complement Double Row Cylindrical Roller Bearings – Alloy Steel

FEATURING ∞ INFINITY ROLLER™ TECHNOLOGY

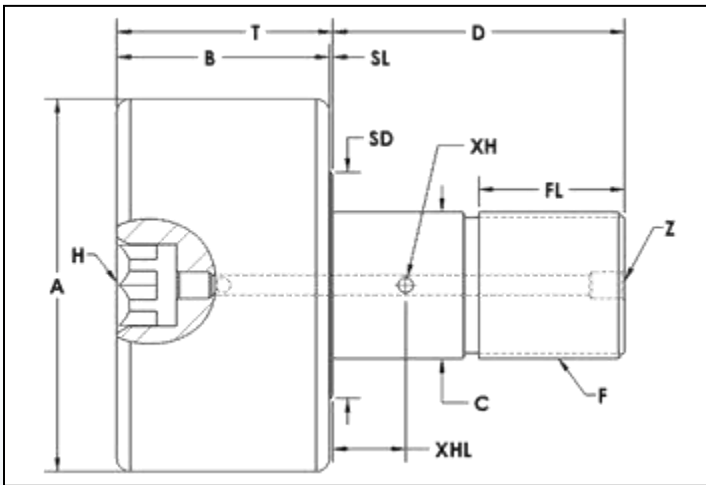
Jam Nut/Lock Washer sets are available at an additional cost.

Specifications subject to change without notice.

Stud Type DCB Roller Part Number	Basic Radial Dynamic Load Rating (lbs) C	Basic Radial Static Load Rating (lbs) Co	Stud Capacity (lbs)	Max. Clamping Torque (in-lbs)*	Seal Type	Bearing Type	Approx. Roller Weight (lbs)
PDC-2.00	12,140	15,309	6,260	650	Rubber Lip	FC DCRB	1.25
PDC-2.25	12,140	15,309	6,260	650	Rubber Lip	FC DCRB	1.54
PDC-2.50	18,592	24,279	7,820	2,250	Rubber Lip	FC DCRB	2.27
PDC-2.75	18,592	24,279	7,820	2,250	Rubber Lip	FC DCRB	2.70
PDC-3.00	27,600	38,000	13,120	3,450	Rubber Lip	FC DCRB	3.88
PDC-3.25	27,600	38,000	13,120	3,450	Rubber Lip	FC DCRB	4.48
PDC-3.50	36,000	50,100	15,310	5,000	Rubber Lip	FC DCRB	5.83
PDC-4.00	47,200	67,200	17,700	5,000	Rubber Lip	FC DCRB	8.60
PDC-5.00	71,000	104,700	34,040	5,000	Rubber Lip	FC DCRB	17.79
PDC-6.00	102,000	155,500	56,450	5,000	Rubber Lip	FC DCRB	31.16
PDC-7.00	132,400	204,800	84,740	5,000	Rubber Lip	FC DCRB	50.81
PDC-8.00	169,200	267,500	93,720	5,000	Rubber Lip	FC DCRB	73.03
PDC-9.00	210,600	337,200	128,690	5,000	Rubber Lip	FC DCRB	102.87
PDC-10.00	260,700	424,800	170,630	5,000	Rubber Lip	FC DCRB	136.68

# PDC-R Series DCB Roller

Plain/Cylindrical – Stud Type Concentric – Hex Socket  
Full Complement Cylindrical Roller Bearings - Regreasable



FEATURING  
∞ INFINITY ROLLER™  
TECHNOLOGY

Stud Type DCB Roller Part Number	A	B	C	D	F	FL	H	SD	SL	T	XH	XHL	Z
	Roller Dia. +.000 -.001	Roller Width	Stud Dia. +.000 -.001	Stud Length	Thread Size	Thread Length	Hex Size	Shoulder Dia.	Shoulder Length	Roller Width + Shoulder Length	Crosshole Dia	Crosshole Location	Lube Size
PDC-2.00-R	2.000	1.25	0.875	2.00	7/8 - 14	1.00	7/16	1.2	0.03	1.28	0.13	0.50	1/4 Drive†
PDC-2.25-R	2.250	1.25	0.875	2.00	7/8 - 14	1.00	7/16	1.2	0.03	1.28	0.13	0.50	1/4 Drive†
PDC-2.50-R	2.500	1.50	1.000	2.25	1 - 14	1.13	1/2	1.6	0.03	1.53	0.13	0.56	1/4 Drive†
PDC-2.75-R	2.750	1.50	1.000	2.25	1 - 14	1.13	1/2	1.6	0.03	1.53	0.13	0.56	1/4 Drive†
PDC-3.00-R	3.000	1.75	1.250	2.50	1 1/4 - 12	1.25	3/4	1.9	0.03	1.78	0.13	0.63	1/4 Drive
PDC-3.25-R	3.250	1.75	1.250	2.50	1 1/4 - 12	1.25	3/4	1.9	0.03	1.78	0.13	0.63	1/4 Drive
PDC-3.50-R	3.500	2.00	1.375	2.75	1 3/8 - 12	1.38	3/4	2.1	0.03	2.03	0.13	0.69	1/4 Drive
PDC-4.00-R	4.000	2.25	1.500	3.50	1 1/2 - 12	1.50	3/4	2.3	0.03	2.28	0.13	0.75	1/4 Drive
PDC-5.00-R	5.000	2.75	2.000	5.06	2 - 12	2.56	7/8	2.9	0.06	2.81	0.19	0.88	1/4-18 NPT
PDC-6.00-R	6.000	3.25	2.500	6.00	2 1/2 - 12	3.00	1	3.6	0.06	3.31	0.19	1.00	1/4-18 NPT
PDC-7.00-R	7.000	3.75	3.000	7.68	3 - 12	4.13	1 1/4	4.1	0.06	3.81	0.19	1.25	1/4-18 NPT
PDC-8.00-R	8.000	4.25	3.250	8.50	3 1/4 - 4	4.25	1 1/4	4.7	0.13	4.38	-	-	1/4-18 NPT‡
PDC-9.00-R	9.000	4.75	3.750	9.50	3 1/2 - 4	4.75	1 1/4	5.3	0.13	4.90	-	-	1/4-18 NPT‡
PDC-10.00-R	10.000	5.25	4.250	10.00	3 1/2 - 4	4.75	1 1/4	5.8	0.13	5.38	-	-	1/4-18 NPT‡

† Lubrication through threaded end and cross hole only

‡ Lubrication through hex in roller end only.

# PDC-R Series DCB Roller

Plain/Cylindrical – Stud Type Concentric – Hex Socket  
Full Complement Cylindrical Roller Bearings - Regreasable



## ADDITIONAL NOTES

\*For lubricated threads, use half the maximum clamping torque value shown.

FC DCRB: Full Complement Double Row Cylindrical Roller Bearings – Alloy Steel

FEATURING ∞ INFINITY ROLLER™ TECHNOLOGY

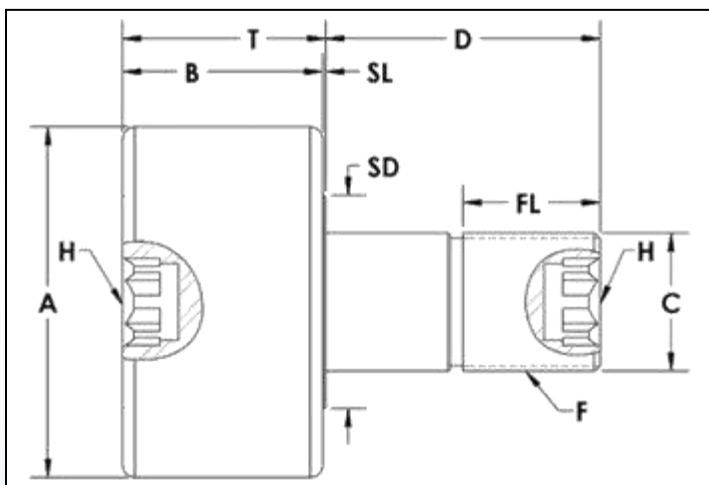
Jam Nut/Lock Washer sets are available at an additional cost.

Specifications subject to change without notice.

Stud Type DCB Roller Part Number	Basic Radial Dynamic Load Rating (lbs) C	Basic Radial Static Load Rating (lbs) Co	Stud Capacity (lbs)	Max. Clamping Torque (in-lbs)*	Seal Type	Bearing Type	Approx. Roller Weight (lbs)
PDC-2.00-R	12,140	15,309	6,260	650	Rubber Lip	FC DCRB	1.25
PDC-2.25-R	12,140	15,309	6,260	650	Rubber Lip	FC DCRB	1.54
PDC-2.50-R	18,592	24,279	7,820	2,250	Rubber Lip	FC DCRB	2.27
PDC-2.75-R	18,592	24,279	7,820	2,250	Rubber Lip	FC DCRB	2.70
PDC-3.00-R	27,600	38,000	13,120	3,450	Rubber Lip	FC DCRB	3.88
PDC-3.25-R	27,600	38,000	13,120	3,450	Rubber Lip	FC DCRB	4.48
PDC-3.50-R	36,000	50,100	15,310	5,000	Rubber Lip	FC DCRB	5.83
PDC-4.00-R	47,200	67,200	17,700	5,000	Rubber Lip	FC DCRB	8.60
PDC-5.00-R	71,000	104,700	34,040	5,000	Rubber Lip	FC DCRB	17.79
PDC-6.00-R	102,000	155,500	56,450	5,000	Rubber Lip	FC DCRB	31.16
PDC-7.00-R	132,400	204,800	84,740	5,000	Rubber Lip	FC DCRB	50.81
PDC-8.00-R	169,200	267,500	93,720	5,000	Rubber Lip	FC DCRB	73.03
PDC-9.00-R	210,600	337,200	128,690	5,000	Rubber Lip	FC DCRB	102.87
PDC-10.00-R	260,700	424,800	170,630	5,000	Rubber Lip	FC DCRB	136.68

# PDC-H Series DCB Roller

Plain/Cylindrical – Stud Type Concentric – Hex Socket in Both Ends  
Full Complement Cylindrical Roller Bearings



FEATURING  
∞ INFINITY ROLLER™  
TECHNOLOGY

Stud Type DCB Roller Part Number	A Roller Dia. +.000 -.001	B Roller Width	C Stud Dia. +.000 -.001	D Stud Length	F Thread Size	FL Thread Length	H Hex Size	SD Shoulder Dia.	SL Shoulder Length	T Roller Width + Shoulder Length
PDC-2.00-H	2.000	1.25	0.875	2.00	7/8 - 14	1.00	7/16	1.2	0.03	1.28
PDC-2.25-H	2.250	1.25	0.875	2.00	7/8 - 14	1.00	7/16	1.2	0.03	1.28
PDC-2.50-H	2.500	1.50	1.000	2.25	1 - 14	1.13	1/2	1.6	0.03	1.53
PDC-2.75-H	2.750	1.50	1.000	2.25	1 - 14	1.13	1/2	1.6	0.03	1.53
PDC-3.00-H	3.000	1.75	1.250	2.50	1 1/4 - 12	1.25	3/4	1.9	0.03	1.78
PDC-3.25-H	3.250	1.75	1.250	2.50	1 1/4 - 12	1.25	3/4	1.9	0.03	1.78
PDC-3.50-H	3.500	2.00	1.375	2.75	1 3/8 - 12	1.38	3/4	2.1	0.03	2.03
PDC-4.00-H	4.000	2.25	1.500	3.50	1 1/2 - 12	1.50	3/4	2.3	0.03	2.28
PDC-5.00-H	5.000	2.75	2.000	5.06	2 - 12	2.56	7/8	2.9	0.06	2.81
PDC-6.00-H	6.000	3.25	2.500	6.00	2 1/2 - 12	3.00	1	3.6	0.06	3.31
PDC-7.00-H	7.000	3.75	3.000	7.68	3 - 12	4.13	1 1/4	4.1	0.06	3.81
PDC-8.00-H	8.000	4.25	3.250	8.50	3 1/4 - 4	4.25	1 1/4	4.7	0.13	4.38
PDC-9.00-H	9.000	4.75	3.750	9.50	3 1/2 - 4	4.75	1 1/4	5.3	0.13	4.90
PDC-10.00-H	10.000	5.25	4.250	10.00	3 1/2 - 4	4.75	1 1/4	5.8	0.13	5.38

# PDC-H Series DCB Roller

Plain/Cylindrical – Stud Type Concentric – Hex Socket in Both Ends  
Full Complement Cylindrical Roller Bearings



## ADDITIONAL NOTES

\*For lubricated threads, use half the maximum clamping torque value shown.

FC DCRB: Full Complement Double Row Cylindrical Roller Bearings – Alloy Steel

FEATURING ∞ INFINITY ROLLER™ TECHNOLOGY

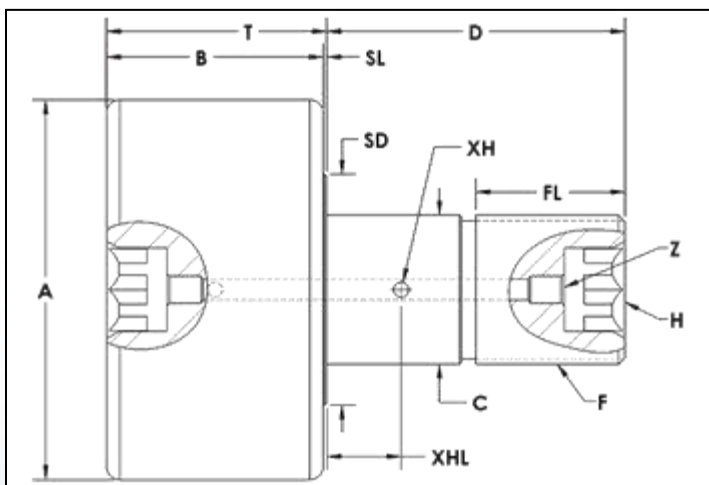
Jam Nut/Lock Washer sets are available at an additional cost.

Specifications subject to change without notice.

Stud Type DCB Roller Part Number	Basic Radial Dynamic Load Rating (lbs) C	Basic Radial Static Load Rating (lbs) Co	Stud Capacity (lbs)	Max. Clamping Torque (in-lbs)*	Seal Type	Bearing Type	Approx. Roller Weight (lbs)
PDC-2.00-H	12,140	15,309	6,260	650	Rubber Lip	FC DCRB	1.25
PDC-2.25-H	12,140	15,309	6,260	650	Rubber Lip	FC DCRB	1.54
PDC-2.50-H	18,592	24,279	7,820	2,250	Rubber Lip	FC DCRB	2.27
PDC-2.75-H	18,592	24,279	7,820	2,250	Rubber Lip	FC DCRB	2.70
PDC-3.00-H	27,600	38,000	13,120	3,450	Rubber Lip	FC DCRB	3.88
PDC-3.25-H	27,600	38,000	13,120	3,450	Rubber Lip	FC DCRB	4.48
PDC-3.50-H	36,000	50,100	15,310	5,000	Rubber Lip	FC DCRB	5.83
PDC-4.00-H	47,200	67,200	17,700	5,000	Rubber Lip	FC DCRB	8.60
PDC-5.00-H	71,000	104,700	34,040	5,000	Rubber Lip	FC DCRB	17.79
PDC-6.00-H	102,000	155,500	56,450	5,000	Rubber Lip	FC DCRB	31.16
PDC-7.00-H	132,400	204,800	84,740	5,000	Rubber Lip	FC DCRB	50.81
PDC-8.00-H	169,200	267,500	93,720	5,000	Rubber Lip	FC DCRB	73.03
PDC-9.00-H	210,600	337,200	128,690	5,000	Rubber Lip	FC DCRB	102.87
PDC-10.00-H	260,700	424,800	170,630	5,000	Rubber Lip	FC DCRB	136.68

# PDC-R-H Series DCB Roller

Plain/Cylindrical – Stud Type Concentric – Hex Socket in Both Ends  
Full Complement Cylindrical Roller Bearings - Regreasable



FEATURING  
∞ INFINITY ROLLER™  
TECHNOLOGY

Stud Type DCB Roller Part Number	A	B	C	D	F	FL	H	SD	SL	T	XH	XHL	Z
	Roller Dia. +.000 -.001	Roller Width	Stud Dia. +.000 -.001	Stud Length	Thread Size	Thread Length	Hex Size	Shoulder Dia.	Shoulder Length	Roller Width + Shoulder Length	Crosshole Dia	Crosshole Location	Lube Size
PDC-2.00-R-H	2.000	1.25	0.875	2.00	7/8 - 14	1.00	7/16	1.2	0.03	1.28	0.13	0.50	1/4-28 UNF†
PDC-2.25-R-H	2.250	1.25	0.875	2.00	7/8 - 14	1.00	7/16	1.2	0.03	1.28	0.13	0.50	1/4-28 UNF†
PDC-2.50-R-H	2.500	1.50	1.000	2.25	1 - 14	1.13	1/2	1.6	0.03	1.53	0.13	0.56	1/4-28 UNF†
PDC-2.75-R-H	2.750	1.50	1.000	2.25	1 - 14	1.13	1/2	1.6	0.03	1.53	0.13	0.56	1/4-28 UNF†
PDC-3.00-R-H	3.000	1.75	1.250	2.50	1 1/4 - 12	1.25	3/4	1.9	0.03	1.78	0.13	0.63	1/4 Drive
PDC-3.25-R-H	3.250	1.75	1.250	2.50	1 1/4 - 12	1.25	3/4	1.9	0.03	1.78	0.13	0.63	1/4 Drive
PDC-3.50-R-H	3.500	2.00	1.375	2.75	1 3/8 - 12	1.38	3/4	2.1	0.03	2.03	0.13	0.69	1/4 Drive
PDC-4.00-R-H	4.000	2.25	1.500	3.50	1 1/2 - 12	1.50	3/4	2.3	0.03	2.28	0.13	0.75	1/4 Drive
PDC-5.00-R-H	5.000	2.75	2.000	5.06	2 - 12	2.56	7/8	2.9	0.06	2.81	0.19	0.88	1/4-18 NPT
PDC-6.00-R-H	6.000	3.25	2.500	6.00	2 1/2 - 12	3.00	1	3.6	0.06	3.31	0.19	1.00	1/4-18 NPT
PDC-7.00-R-H	7.000	3.75	3.000	7.68	3 - 12	4.13	1 1/4	4.1	0.06	3.81	0.19	1.25	1/4-18 NPT
PDC-8.00-R-H	8.000	4.25	3.250	8.50	3 1/4 - 4	4.25	1 1/4	4.7	0.13	4.38	-	-	1/4-18 NPT‡
PDC-9.00-R-H	9.000	4.75	3.750	9.50	3 1/2 - 4	4.75	1 1/4	5.3	0.13	4.90	-	-	1/4-18 NPT‡
PDC-10.00-R-H	10.000	5.25	4.250	10.00	3 1/2 - 4	4.75	1 1/4	5.8	0.13	5.38	-	-	1/4-18 NPT‡

† Lubrication in threaded end and cross hole only. Grease fitting extends from end of stud

‡ Lubrication through hex in roller end only.

# PDC-R-H Series DCB Roller

Plain/Cylindrical – Stud Type Concentric – Hex Socket in Both Ends  
Full Complement Cylindrical Roller Bearings - Regreasable



## ADDITIONAL NOTES

\*For lubricated threads, use half the maximum clamping torque value shown.

FC DCRB: Full Complement Double Row Cylindrical Roller Bearings – Alloy Steel

FEATURING ∞ INFINITY ROLLER™ TECHNOLOGY

Jam Nut/Lock Washer sets are available at an additional cost.

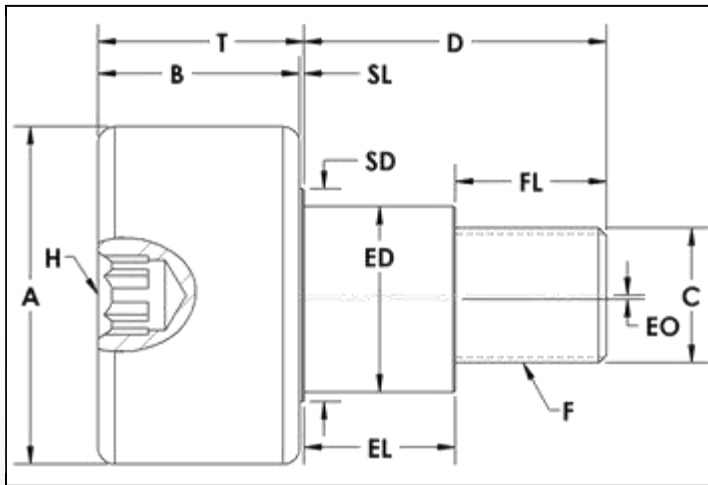
Specifications subject to change without notice.

Stud Type DCB Roller Part Number	Basic Radial Dynamic Load Rating (lbs) C	Basic Radial Static Load Rating (lbs) Co	Stud Capacity (lbs)	Max. Clamping Torque (in-lbs)*	Seal Type	Bearing Type	Approx. Roller Weight (lbs)
PDC-2.00-R-H	12,140	15,309	6,260	650	Rubber Lip	FC DCRB	1.25
PDC-2.25-R-H	12,140	15,309	6,260	650	Rubber Lip	FC DCRB	1.54
PDC-2.50-R-H	18,592	24,279	7,820	2,250	Rubber Lip	FC DCRB	2.27
PDC-2.75-R-H	18,592	24,279	7,820	2,250	Rubber Lip	FC DCRB	2.70
PDC-3.00-R-H	27,600	38,000	13,120	3,450	Rubber Lip	FC DCRB	3.88
PDC-3.25-R-H	27,600	38,000	13,120	3,450	Rubber Lip	FC DCRB	4.48
PDC-3.50-R-H	36,000	50,100	15,310	5,000	Rubber Lip	FC DCRB	5.83
PDC-4.00-R-H	47,200	67,200	17,700	5,000	Rubber Lip	FC DCRB	8.60
PDC-5.00-R-H	71,000	104,700	34,040	5,000	Rubber Lip	FC DCRB	17.79
PDC-6.00-R-H	102,000	155,500	56,450	5,000	Rubber Lip	FC DCRB	31.16
PDC-7.00-R-H	132,400	204,800	84,740	5,000	Rubber Lip	FC DCRB	50.81
PDC-8.00-R-H	169,200	267,500	93,720	5,000	Rubber Lip	FC DCRB	73.03
PDC-9.00-R-H	210,600	337,200	128,690	5,000	Rubber Lip	FC DCRB	102.87
PDC-10.00-R-H	260,700	424,800	170,630	5,000	Rubber Lip	FC DCRB	136.68



# PDCE Series DCB Roller

Plain/Cylindrical – Stud Type Eccentric – Hex Socket  
Full Complement Cylindrical Roller Bearings



FEATURING  
∞ INFINITY ROLLER™  
TECHNOLOGY

Stud Type DCB Roller Part Number	A	B	C	D	ED	EL	EO	F	FL	H	SD	SL	T
	Roller Dia. +.000 -.001	Roller Width	Stud Dia.	Stud Length	Ecc Dia +.000 -.002	Ecc Length	Ecc Offset	Thread Size	Thread Length	Hex Size	Shoulder Dia.	Shoulder Length	Roller Width + Shoulder Length
PDCE-2.50	2.500	1.50	1.000	2.25	1.375	1.13	0.03	1 - 14	1.13	1/2	1.6	0.03	1.53
PDCE-2.75	2.750	1.50	1.000	2.25	1.375	1.13	0.03	1 - 14	1.13	1/2	1.6	0.03	1.53
PDCE-3.00	3.000	1.75	1.250	2.50	1.750	1.25	0.06	1 1/4 - 12	1.25	3/4	1.9	0.03	1.78
PDCE-3.25	3.250	1.75	1.250	2.50	1.750	1.25	0.06	1 1/4 - 12	1.25	3/4	1.9	0.03	1.78
PDCE-3.50	3.500	2.00	1.375	2.75	1.812	1.38	0.06	1 3/8 - 12	1.38	3/4	2.1	0.03	2.03
PDCE-4.00	4.000	2.25	1.500	3.50	2.000	2.00	0.06	1 1/2 - 12	1.50	3/4	2.3	0.03	2.28

# PDCE Series DCB Roller

Plain/Cylindrical – Stud Type Eccentric – Hex Socket  
Full Complement Cylindrical Roller Bearings



## ADDITIONAL NOTES

\*For lubricated threads, use half the maximum clamping torque value shown.

FC DCRB: Full Complement Double Row Cylindrical Roller Bearings – Alloy Steel

FEATURING ∞ INFINITY ROLLER™ TECHNOLOGY

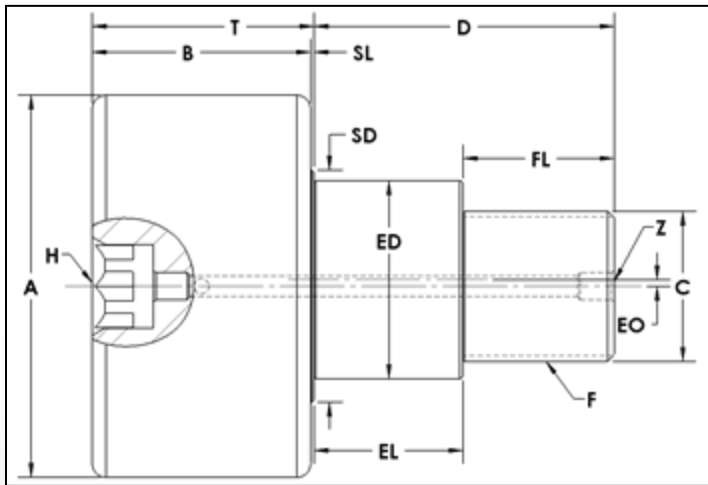
Jam Nut/Lock Washer sets are available at an additional cost.

Specifications subject to change without notice.

Stud Type DCB Roller Part Number	Basic Radial Dynamic Load Rating (lbs) C	Basic Radial Static Load Rating (lbs) Co	Stud Capacity (lbs)	Max. Clamping Torque (in-lbs)*	Seal Type	Bearing Type	Approx. Roller Weight (lbs)
PDCE-2.50	18,592	24,279	7,820	2,250	Rubber Lip	FC DCRB	2.49
PDCE-2.75	18,592	24,279	7,820	2,250	Rubber Lip	FC DCRB	2.92
PDCE-3.00	27,600	38,000	13,120	3,450	Rubber Lip	FC DCRB	4.25
PDCE-3.25	27,600	38,000	13,120	3,450	Rubber Lip	FC DCRB	4.87
PDCE-3.50	36,000	50,100	15,310	5,000	Rubber Lip	FC DCRB	6.23
PDCE-4.00	47,200	67,200	17,700	5,000	Rubber Lip	FC DCRB	9.34

# PDCE-R Series DCB Roller

Plain/Cylindrical – Stud Type Eccentric – Hex Socket  
Full Complement Cylindrical Roller Bearings - Regreasable



FEATURING  
∞ INFINITY ROLLER™  
TECHNOLOGY

Stud Type DCB Roller Part Number	A Roller Dia. +.000 -.001	B Roller Width	C Stud Dia.	D Stud Length	ED Ecc Dia +.000 -.002	EL Ecc Length	EO Ecc Offset	F Thread Size	FL Thread Length	H Hex Size	SD Shoulder Dia.	SL Shoulder Length	T Roller Width + Shoulder Length	Z Lube Size
PDCE-2.50-R	2.500	1.50	1.000	2.25	1.375	1.13	0.03	1 - 14	1.13	1/2	1.6	0.03	1.53	1/4 Drive†
PDCE-2.75-R	2.750	1.50	1.000	2.25	1.375	1.13	0.03	1 - 14	1.13	1/2	1.6	0.03	1.53	1/4 Drive†
PDCE-3.00-R	3.000	1.75	1.250	2.50	1.750	1.25	0.06	1 1/4 - 12	1.25	3/4	1.9	0.03	1.78	1/4 Drive
PDCE-3.25-R	3.250	1.75	1.250	2.50	1.750	1.25	0.06	1 1/4 - 12	1.25	3/4	1.9	0.03	1.78	1/4 Drive
PDCE-3.50-R	3.500	2.00	1.375	2.75	1.812	1.38	0.06	1 3/8 - 12	1.38	3/4	2.1	0.03	2.03	1/4 Drive
PDCE-4.00-R	4.000	2.25	1.500	3.50	2.000	2.00	0.06	1 1/2 - 12	1.50	3/4	2.3	0.03	2.28	1/4 Drive

† Lubrication in threaded end only.

# PDCE-R Series DCB Roller

Plain/Cylindrical – Stud Type Eccentric – Hex Socket  
Full Complement Cylindrical Roller Bearings - Regreasable



## ADDITIONAL NOTES

\*For lubricated threads, use half the maximum clamping torque value shown.

FC DCRB: Full Complement Double Row Cylindrical Roller Bearings – Alloy Steel

FEATURING ∞ INFINITY ROLLER™ TECHNOLOGY

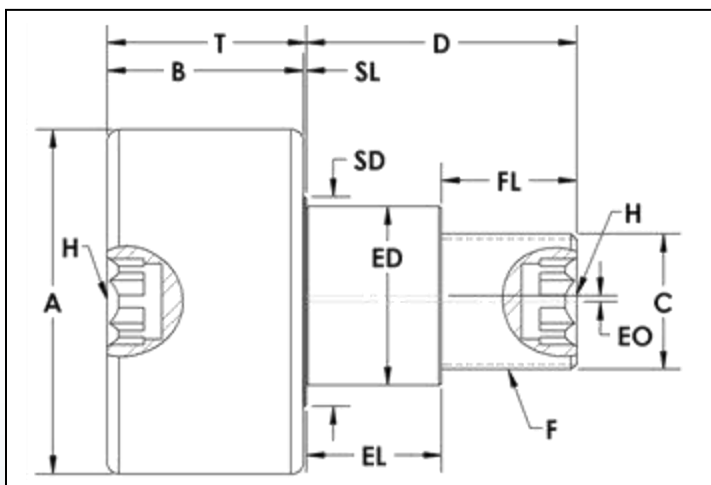
Jam Nut/Lock Washer sets are available at an additional cost.

Specifications subject to change without notice.

Stud Type DCB Roller Part Number	Basic Radial Dynamic Load Rating (lbs) C	Basic Radial Static Load Rating (lbs) Co	Stud Capacity (lbs)	Max. Clamping Torque (in-lbs)*	Seal Type	Bearing Type	Approx. Roller Weight (lbs)
PDCE-2.50-R	18,592	24,279	7,820	2,250	Rubber Lip	FC DCRB	2.49
PDCE-2.75-R	18,592	24,279	7,820	2,250	Rubber Lip	FC DCRB	2.92
PDCE-3.00-R	27,600	38,000	13,120	3,450	Rubber Lip	FC DCRB	4.25
PDCE-3.25-R	27,600	38,000	13,120	3,450	Rubber Lip	FC DCRB	4.87
PDCE-3.50-R	36,000	50,100	15,310	5,000	Rubber Lip	FC DCRB	6.23
PDCE-4.00-R	47,200	67,200	17,700	5,000	Rubber Lip	FC DCRB	9.34

# PDCE-H Series DCB Roller

Plain/Cylindrical – Stud Type Eccentric – Hex Socket in Both Ends  
Full Complement Cylindrical Roller Bearings



FEATURING  
∞ INFINITY ROLLER™  
TECHNOLOGY

Stud Type DCB Roller Part Number	A	B	C	D	ED	EL	EO	F	FL	H	SD	SL	T
	Roller Dia. +.000 -.001	Roller Width	Stud Dia.	Stud Length	Ecc Dia +.000 -.002	Ecc Length	Ecc Offset	Thread Size	Thread Length	Hex Size	Shoulder Dia.	Shoulder Length	Roller Width + Shoulder Length
PDCE-2.50-H	2.500	1.50	1.000	2.25	1.375	1.13	0.03	1 - 14	1.13	1/2	1.6	0.03	1.53
PDCE-2.75-H	2.750	1.50	1.000	2.25	1.375	1.13	0.03	1 - 14	1.13	1/2	1.6	0.03	1.53
PDCE-3.00-H	3.000	1.75	1.250	2.50	1.750	1.25	0.06	1 1/4 - 12	1.25	3/4	1.9	0.03	1.78
PDCE-3.25-H	3.250	1.75	1.250	2.50	1.750	1.25	0.06	1 1/4 - 12	1.25	3/4	1.9	0.03	1.78
PDCE-3.50-H	3.500	2.00	1.375	2.75	1.812	1.38	0.06	1 3/8 - 12	1.38	3/4	2.1	0.03	2.03
PDCE-4.00-H	4.000	2.25	1.500	3.50	2.000	2.00	0.06	1 1/2 - 12	1.50	3/4	2.3	0.03	2.28

# PDCE-H Series DCB Roller

Plain/Cylindrical – Stud Type Eccentric – Hex Socket in Both Ends  
Full Complement Cylindrical Roller Bearings



## ADDITIONAL NOTES

\*For lubricated threads, use half the maximum clamping torque value shown.

FC DCRB: Full Complement Double Row Cylindrical Roller Bearings – Alloy Steel

FEATURING ∞ INFINITY ROLLER™ TECHNOLOGY

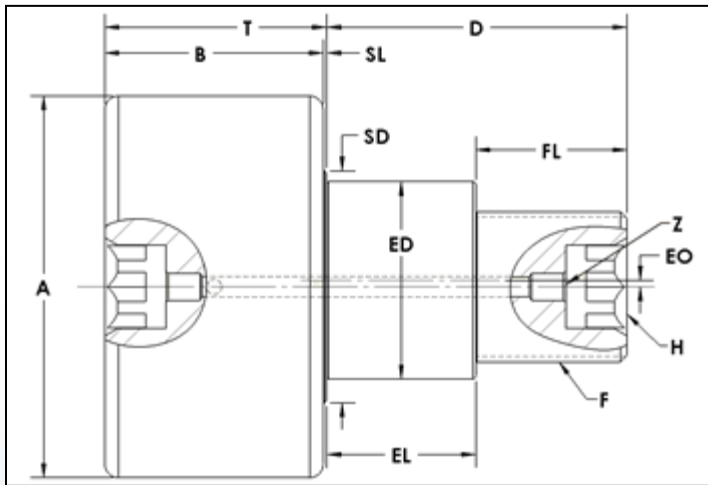
Jam Nut/Lock Washer sets are available at an additional cost.

Specifications subject to change without notice.

Stud Type DCB Roller Part Number	Basic Radial Dynamic Load Rating (lbs) C	Basic Radial Static Load Rating (lbs) Co	Stud Capacity (lbs)	Max. Clamping Torque (in-lbs)*	Seal Type	Bearing Type	Approx. Roller Weight (lbs)
PDCE-2.50-H	18,592	24,279	7,820	2,250	Rubber Lip	FC DCRB	2.49
PDCE-2.75-H	18,592	24,279	7,820	2,250	Rubber Lip	FC DCRB	2.92
PDCE-3.00-H	27,600	38,000	13,120	3,450	Rubber Lip	FC DCRB	4.25
PDCE-3.25-H	27,600	38,000	13,120	3,450	Rubber Lip	FC DCRB	4.87
PDCE-3.50-H	36,000	50,100	15,310	5,000	Rubber Lip	FC DCRB	6.23
PDCE-4.00-H	47,200	67,200	17,700	5,000	Rubber Lip	FC DCRB	9.34

# PDCE-R-H Series DCB Roller

Plain/Cylindrical – Stud Type Eccentric – Hex Socket in Both Ends  
Full Complement Cylindrical Roller Bearings - Regreasable



FEATURING  
∞ INFINITY ROLLER™  
TECHNOLOGY

Stud Type DCB Roller Part Number	A	B	C	D	ED	EL	EO	F	FL	H	SD	SL	T	Z
	Roller Dia. +.000 -.001	Roller Width	Stud Dia.	Stud Length	Ecc Dia +.000 -.002	Ecc Length	Ecc Offset	Thread Size	Thread Length	Hex Size	Shoulder Dia.	Shoulder Length	Roller Width + Shoulder Length	Lube Size
PDCE-2.50-R-H	2.500	1.50	1.000	2.25	1.375	1.13	0.03	1 - 14	1.13	1/2	1.6	0.03	1.53	1/4-28 UNF†
PDCE-2.75-R-H	2.750	1.50	1.000	2.25	1.375	1.13	0.03	1 - 14	1.13	1/2	1.6	0.03	1.53	1/4-28 UNF†
PDCE-3.00-R-H	3.000	1.75	1.250	2.50	1.750	1.25	0.06	1 1/4 - 12	1.25	3/4	1.9	0.03	1.78	1/4 Drive
PDCE-3.25-R-H	3.250	1.75	1.250	2.50	1.750	1.25	0.06	1 1/4 - 12	1.25	3/4	1.9	0.03	1.78	1/4 Drive
PDCE-3.50-R-H	3.500	2.00	1.375	2.75	1.812	1.38	0.06	1 3/8 - 12	1.38	3/4	2.1	0.03	2.03	1/4 Drive
PDCE-4.00-R-H	4.000	2.25	1.500	3.50	2.000	2.00	0.06	1 1/2 - 12	1.50	3/4	2.3	0.03	2.28	1/4 Drive

† Lubrication in threaded end only. Grease fitting extends from end of stud

# PDCE-R-H Series DCB Roller

Plain/Cylindrical – Stud Type Eccentric – Hex Socket in Both Ends  
Full Complement Cylindrical Roller Bearings - Regreasable



## ADDITIONAL NOTES

\*For lubricated threads, use half the maximum clamping torque value shown.

FC DCRB: Full Complement Double Row Cylindrical Roller Bearings – Alloy Steel

FEATURING ∞ INFINITY ROLLER™ TECHNOLOGY

Jam Nut/Lock Washer sets are available at an additional cost.

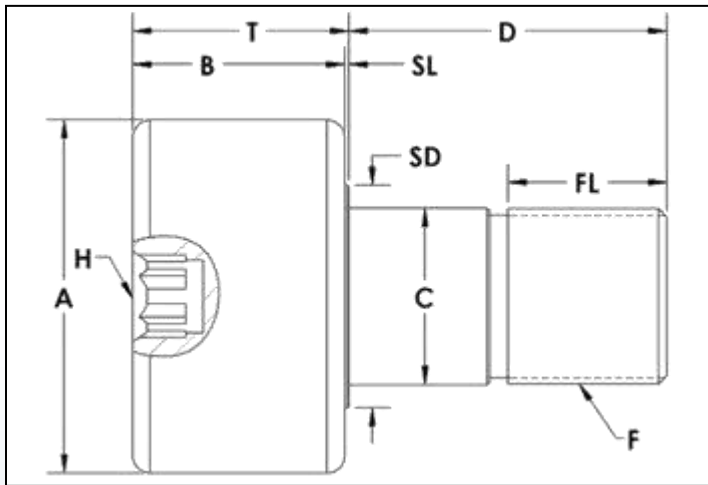
Specifications subject to change without notice.

Stud Type DCB Roller Part Number	Basic Radial Dynamic Load Rating (lbs) C	Basic Radial Static Load Rating (lbs) Co	Stud Capacity (lbs)	Max. Clamping Torque (in-lbs)*	Seal Type	Bearing Type	Approx. Roller Weight (lbs)
PDCE-2.50-R-H	18,592	24,279	7,820	2,250	Rubber Lip	FC DCRB	2.49
PDCE-2.75-R-H	18,592	24,279	7,820	2,250	Rubber Lip	FC DCRB	2.92
PDCE-3.00-R-H	27,600	38,000	13,120	3,450	Rubber Lip	FC DCRB	4.25
PDCE-3.25-R-H	27,600	38,000	13,120	3,450	Rubber Lip	FC DCRB	4.87
PDCE-3.50-R-H	36,000	50,100	15,310	5,000	Rubber Lip	FC DCRB	6.23
PDCE-4.00-R-H	47,200	67,200	17,700	5,000	Rubber Lip	FC DCRB	9.34



# HPDC Series DCB Roller

Plain/Cylindrical – Heavy Stud Type Concentric – Hex Socket  
Full Complement Cylindrical Roller Bearings



FEATURING  
∞ INFINITY ROLLER™  
TECHNOLOGY

Stud Type DCB Roller Part Number	A	B	C	D	F	FL	H	SD	SL	T
	Roller Dia. +.000 -.001	Roller Width	Stud Dia. +.000 -.001	Stud Length	Thread Size	Thread Length	Hex Size	Shoulder Dia.	Shoulder Length	Roller Width + Shoulder Length
HPDC-2.50	2.500	1.50	1.250	2.25	1 1/4 - 12	1.13	3/4	1.6	0.03	1.53
HPDC-2.75	2.750	1.50	1.250	2.25	1 1/4 - 12	1.13	3/4	1.6	0.03	1.53
HPDC-3.00	3.000	1.75	1.500	2.50	1 1/2 - 12	1.25	3/4	1.9	0.03	1.78
HPDC-3.25	3.250	1.75	1.500	2.50	1 1/2 - 12	1.25	3/4	1.9	0.03	1.78
HPDC-3.50	3.500	2.00	1.750	2.75	1 3/4 - 12	1.38	3/4	2.1	0.03	2.03
HPDC-4.00	4.000	2.25	2.000	3.50	2 - 12	1.50	3/4	2.3	0.03	2.28
HPDC-5.00	5.000	2.75	2.500	5.06	2 1/2 - 12	2.56	7/8	2.9	0.06	2.81
HPDC-6.00	6.000	3.25	3.000	6.00	3 - 12	3.00	1	3.6	0.06	3.31
HPDC-7.00	7.000	3.75	3.500	7.68	3 1/2 - 4	4.13	1 1/4	4.1	0.06	3.81

# HPDC Series DCB Roller

Plain/Cylindrical – Heavy Stud Type Concentric – Hex Socket  
Full Complement Cylindrical Roller Bearings



## ADDITIONAL NOTES

\*For lubricated threads, use half the maximum clamping torque value shown.

FC DCRB: Full Complement Double Row Cylindrical Roller Bearings – Alloy Steel

FEATURING ∞ INFINITY ROLLER™ TECHNOLOGY

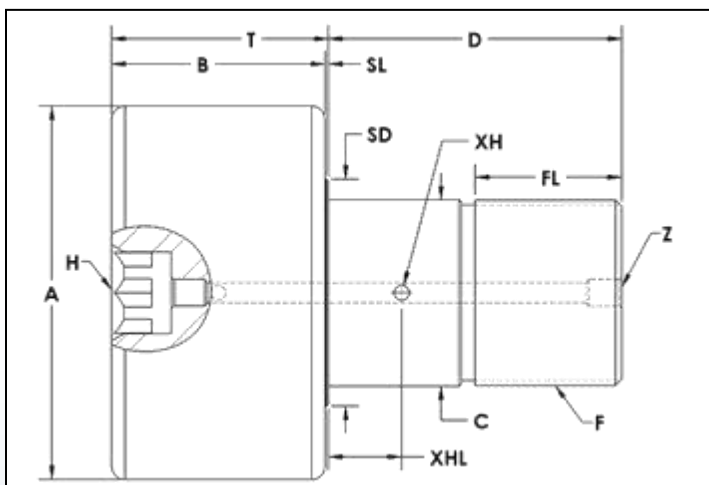
Jam Nut/Lock Washer sets are available at an additional cost.

Specifications subject to change without notice.

Stud Type DCB Roller Part Number	Basic Radial Dynamic Load Rating (lbs) C	Basic Radial Static Load Rating (lbs) Co	Stud Capacity (lbs)	Max. Clamping Torque (in-lbs)*	Seal Type	Bearing Type	Approx. Roller Weight (lbs)
HPDC-2.50	18,592	24,279	15,270	1,500	Rubber Lip	FC DCRB	2.55
HPDC-2.75	18,592	24,279	15,270	1,500	Rubber Lip	FC DCRB	2.98
HPDC-3.00	27,600	38,000	22,670	2,250	Rubber Lip	FC DCRB	4.26
HPDC-3.25	27,600	38,000	22,670	2,250	Rubber Lip	FC DCRB	4.81
HPDC-3.50	36,000	50,100	31,570	5,000	Rubber Lip	FC DCRB	6.51
HPDC-4.00	47,200	67,200	41,960	5,000	Rubber Lip	FC DCRB	9.96
HPDC-5.00	71,000	104,700	66,490	5,000	Rubber Lip	FC DCRB	20.12
HPDC-6.00	102,000	155,500	97,540	5,000	Rubber Lip	FC DCRB	34.52
HPDC-7.00	132,400	204,800	134,570	5,000	Rubber Lip	FC DCRB	55.80

# HPDC-R Series DCB Roller

Plain/Cylindrical – Heavy Stud Type Concentric – Hex Socket  
Full Complement Cylindrical Roller Bearings - Regreasable



FEATURING  
∞ INFINITY ROLLER™  
TECHNOLOGY

Stud Type DCB Roller Part Number	A	B	C	D	F	FL	H	SD	SL	T	XH	XHL	Z
	Roller Dia. +0.000 -0.001	Roller Width	Stud Dia. +0.000 -0.001	Stud Length	Thread Size	Thread Length	Hex Size	Shoulder Dia.	Shoulder Length	Roller Width + Shoulder Length	Crosshole Dia	Crosshole Location	Lube Size
HPDC-2.50-R	2.500	1.50	1.250	2.25	1 1/4 - 12	1.13	3/4	1.6	0.03	1.53	0.13	0.56	1/4 Drive†
HPDC-2.75-R	2.750	1.50	1.250	2.25	1 1/4 - 12	1.13	3/4	1.6	0.03	1.53	0.13	0.56	1/4 Drive†
HPDC-3.00-R	3.000	1.75	1.500	2.50	1 1/2 - 12	1.25	3/4	1.9	0.03	1.78	0.13	0.63	1/4 Drive
HPDC-3.25-R	3.250	1.75	1.500	2.50	1 1/2 - 12	1.25	3/4	1.9	0.03	1.78	0.13	0.63	1/4 Drive
HPDC-3.50-R	3.500	2.00	1.750	2.75	1 3/4 - 12	1.38	3/4	2.1	0.03	2.03	0.13	0.69	1/4 Drive
HPDC-4.00-R	4.000	2.25	2.000	3.50	2 - 12	1.50	3/4	2.3	0.03	2.28	0.13	0.75	1/4 Drive
HPDC-5.00-R	5.000	2.75	2.500	5.06	2 1/2 - 12	2.56	7/8	2.9	0.06	2.81	0.19	0.88	1/4-18 NPT
HPDC-6.00-R	6.000	3.25	3.000	6.00	3 - 12	3.00	1	3.6	0.06	3.31	0.19	1.00	1/4-18 NPT
HPDC-7.00-R	7.000	3.75	3.500	7.68	3 1/2 - 4	4.13	1 1/4	4.1	0.06	3.81	0.19	1.25	1/4-18 NPT

† Lubrication in threaded end and cross hole only.

# HPDC-R Series DCB Roller

Plain/Cylindrical – Heavy Stud Type Concentric – Hex Socket  
Full Complement Cylindrical Roller Bearings - Regreasable



## ADDITIONAL NOTES

\*For lubricated threads, use half the maximum clamping torque value shown.

FC DCRB: Full Complement Double Row Cylindrical Roller Bearings – Alloy Steel

FEATURING ∞ INFINITY ROLLER™ TECHNOLOGY

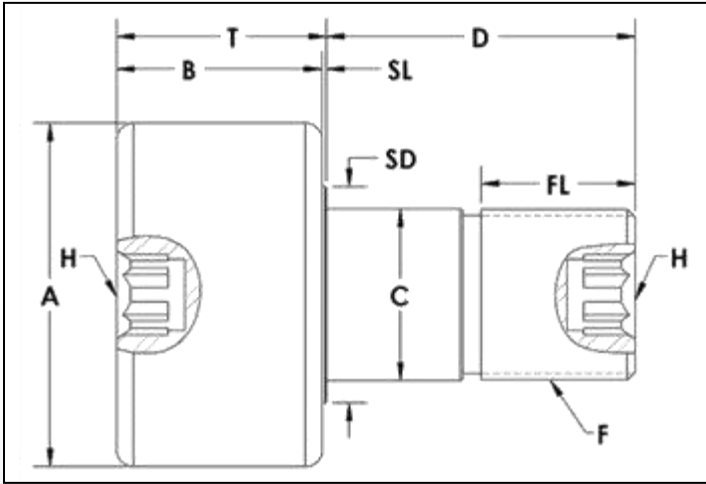
Jam Nut/Lock Washer sets are available at an additional cost.

Specifications subject to change without notice.

Stud Type DCB Roller Part Number	Basic Radial Dynamic Load Rating (lbs) C	Basic Radial Static Load Rating (lbs) Co	Stud Capacity (lbs)	Max. Clamping Torque (in-lbs)*	Seal Type	Bearing Type	Approx. Roller Weight (lbs)
HPDC-2.50-R	18,592	24,279	15,270	1,500	Rubber Lip	FC DCRB	2.55
HPDC-2.75-R	18,592	24,279	15,270	1,500	Rubber Lip	FC DCRB	2.98
HPDC-3.00-R	27,600	38,000	22,670	2,250	Rubber Lip	FC DCRB	4.26
HPDC-3.25-R	27,600	38,000	22,670	2,250	Rubber Lip	FC DCRB	4.83
HPDC-3.50-R	36,000	50,100	31,570	5,000	Rubber Lip	FC DCRB	6.51
HPDC-4.00-R	47,200	67,200	41,960	5,000	Rubber Lip	FC DCRB	9.96
HPDC-5.00-R	71,000	104,700	66,490	5,000	Rubber Lip	FC DCRB	20.12
HPDC-6.00-R	102,000	155,500	97,540	5,000	Rubber Lip	FC DCRB	34.52
HPDC-7.00-R	132,400	204,800	134,570	5,000	Rubber Lip	FC DCRB	55.80

# HPDC-H Series DCB Roller

Plain/Cylindrical – Heavy Stud Type Concentric – Hex Socket Both Ends  
Full Complement Cylindrical Roller Bearings



FEATURING  
∞ INFINITY ROLLER™  
TECHNOLOGY

Stud Type DCB Roller Part Number	A Roller Dia. +.000 -.001	B Roller Width	C Stud Dia. +.000 -.001	D Stud Length	F Thread Size	FL Thread Length	H Hex Size	SD Shoulder Dia.	SL Shoulder Length	T Roller Width + Shoulder Length
HPDC-2.50-H	2.500	1.50	1.250	2.25	1 1/4 - 12	1.13	3/4	1.6	0.03	1.53
HPDC-2.75-H	2.750	1.50	1.250	2.25	1 1/4 - 12	1.13	3/4	1.6	0.03	1.53
HPDC-3.00-H	3.000	1.75	1.500	2.50	1 1/2 - 12	1.25	3/4	1.9	0.03	1.78
HPDC-3.25-H	3.250	1.75	1.500	2.50	1 1/2 - 12	1.25	3/4	1.9	0.03	1.78
HPDC-3.50-H	3.500	2.00	1.750	2.75	1 3/4 - 12	1.38	3/4	2.1	0.03	2.03
HPDC-4.00-H	4.000	2.25	2.000	3.50	2 - 12	1.50	3/4	2.3	0.03	2.28
HPDC-5.00-H	5.000	2.75	2.500	5.06	2 1/2 - 12	2.56	7/8	2.9	0.06	2.81
HPDC-6.00-H	6.000	3.25	3.000	6.00	3 - 12	3.00	1	3.6	0.06	3.31
HPDC-7.00-H	7.000	3.75	3.500	7.68	3 1/2 - 4	4.13	1 1/4	4.1	0.06	3.81

# HPDC-H Series DCB Roller

Plain/Cylindrical – Heavy Stud Type Concentric – Hex Socket Both Ends  
Full Complement Cylindrical Roller Bearings



## ADDITIONAL NOTES

\*For lubricated threads, use half the maximum clamping torque value shown.

FC DCRB: Full Complement Double Row Cylindrical Roller Bearings – Alloy Steel

FEATURING ∞ INFINITY ROLLER™ TECHNOLOGY

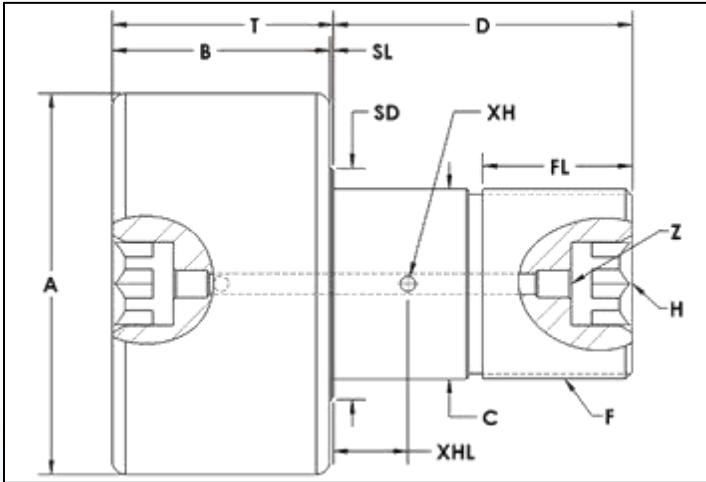
Jam Nut/Lock Washer sets are available at an additional cost.

Specifications subject to change without notice.

Stud Type DCB Roller Part Number	Basic Radial Dynamic Load Rating (lbs) C	Basic Radial Static Load Rating (lbs) Co	Stud Capacity (lbs)	Max. Clamping Torque (in-lbs)*	Seal Type	Bearing Type	Approx. Roller Weight (lbs)
HPDC-2.50-H	18,592	24,279	15,270	1,500	Rubber Lip	FC DCRB	2.55
HPDC-2.75-H	18,592	24,279	15,270	1,500	Rubber Lip	FC DCRB	2.98
HPDC-3.00-H	27,600	38,000	22,670	2,250	Rubber Lip	FC DCRB	4.26
HPDC-3.25-H	27,600	38,000	22,670	2,250	Rubber Lip	FC DCRB	4.83
HPDC-3.50-H	36,000	50,100	31,570	5,000	Rubber Lip	FC DCRB	6.51
HPDC-4.00-H	47,200	67,200	41,960	5,000	Rubber Lip	FC DCRB	9.96
HPDC-5.00-H	71,000	104,700	66,490	5,000	Rubber Lip	FC DCRB	20.12
HPDC-6.00-H	102,000	155,500	97,540	5,000	Rubber Lip	FC DCRB	34.52
HPDC-7.00-H	132,400	204,800	134,570	5,000	Rubber Lip	FC DCRB	55.80

# HPDC-R-H Series DCB Roller

Plain/Cylindrical – Heavy Stud Type Concentric – Hex Socket Both Ends  
Full Complement Cylindrical Roller Bearings - Regreasable



FEATURING  
∞ INFINITY ROLLER™  
TECHNOLOGY

Stud Type DCB Roller Part Number	A	B	C	D	F	FL	H	SD	SL	T	XH	XHL	Z
	Roller Dia. +0.000 -0.001	Roller Width	Stud Dia. +0.000 -0.001	Stud Length	Thread Size	Thread Length	Hex Size	Shoulder Dia.	Shoulder Length	Roller Width + Shoulder Length	Crosshole Dia	Crosshole Location	Lube Size
HPDC-2.50-R-H	2.500	1.50	1.250	2.25	1 1/4 - 12	1.13	3/4	1.6	0.03	1.53	0.13	0.56	1/4-28 UNF†
HPDC-2.75-R-H	2.750	1.50	1.250	2.25	1 1/4 - 12	1.13	3/4	1.6	0.03	1.53	0.13	0.56	1/4-28 UNF†
HPDC-3.00-R-H	3.000	1.75	1.500	2.50	1 1/2 - 12	1.25	3/4	1.9	0.03	1.78	0.13	0.63	1/4 Drive
HPDC-3.25-R-H	3.250	1.75	1.500	2.50	1 1/2 - 12	1.25	3/4	1.9	0.03	1.78	0.13	0.63	1/4 Drive
HPDC-3.50-R-H	3.500	2.00	1.750	2.75	1 3/4 - 12	1.38	3/4	2.1	0.03	2.03	0.13	0.69	1/4 Drive
HPDC-4.00-R-H	4.000	2.25	2.000	3.50	2 - 12	1.50	3/4	2.3	0.03	2.28	0.13	0.75	1/4 Drive
HPDC-5.00-R-H	5.000	2.75	2.500	5.06	2 1/2 - 12	2.56	7/8	2.9	0.06	2.81	0.19	0.88	1/4-18 NPT
HPDC-6.00-R-H	6.000	3.25	3.000	6.00	3 - 12	3.00	1	3.6	0.06	3.31	0.19	1.00	1/4-18 NPT
HPDC-7.00-R-H	7.000	3.75	3.500	7.68	3 1/2 - 4	4.13	1 1/4	4.1	0.06	3.81	0.19	1.25	1/4-18 NPT

† Lubrication in threaded end and only. Grease fitting extends from end of stud.

# HPDC-R-H Series DCB Roller

Plain/Cylindrical – Heavy Stud Type Concentric – Hex Socket Both Ends  
Full Complement Cylindrical Roller Bearings - Regreasable



## ADDITIONAL NOTES

\*For lubricated threads, use half the maximum clamping torque value shown.

FC DCRB: Full Complement Double Row Cylindrical Roller Bearings – Alloy Steel

FEATURING ∞ INFINITY ROLLER™ TECHNOLOGY

Jam Nut/Lock Washer sets are available at an additional cost.

Specifications subject to change without notice.

Stud Type DCB Roller Part Number	Basic Radial Dynamic Load Rating (lbs) C	Basic Radial Static Load Rating (lbs) Co	Stud Capacity (lbs)	Max. Clamping Torque (in-lbs)*	Seal Type	Bearing Type	Approx. Roller Weight (lbs)
HPDC-2.50-R-H	18,592	24,279	15,270	1,500	Rubber Lip	FC DCRB	2.55
HPDC-2.75-R-H	18,592	24,279	15,270	1,500	Rubber Lip	FC DCRB	2.98
HPDC-3.00-R-H	27,600	38,000	22,670	2,250	Rubber Lip	FC DCRB	4.26
HPDC-3.25-R-H	27,600	38,000	22,670	2,250	Rubber Lip	FC DCRB	4.83
HPDC-3.50-R-H	36,000	50,100	31,570	5,000	Rubber Lip	FC DCRB	6.51
HPDC-4.00-R-H	47,200	67,200	41,960	5,000	Rubber Lip	FC DCRB	9.96
HPDC-5.00-R-H	71,000	104,700	66,490	5,000	Rubber Lip	FC DCRB	20.12
HPDC-6.00-R-H	102,000	155,500	97,540	5,000	Rubber Lip	FC DCRB	34.52
HPDC-7.00-R-H	132,400	204,800	134,570	5,000	Rubber Lip	FC DCRB	55.80



# PDCY Series DCB Roller

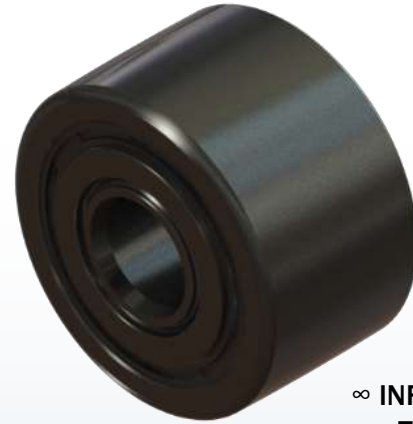
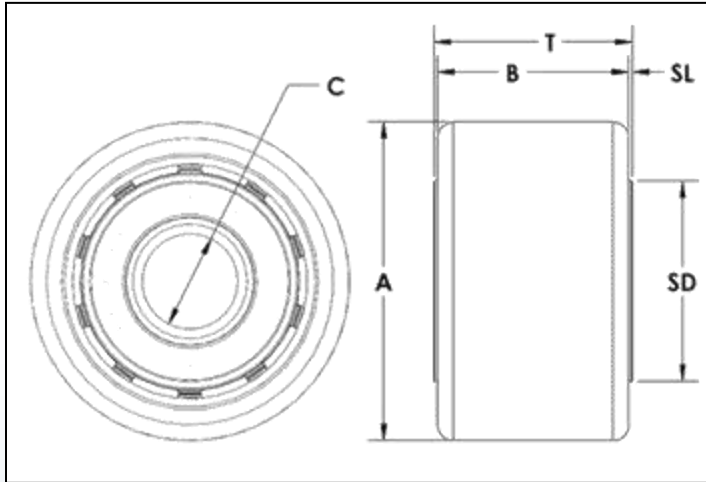
Plain/Cylindrical – Yoke Type

Full Complement Cylindrical Roller Bearings



(989)358-6148

www.pcimfg.com



FEATURING  
∞ INFINITY ROLLER™  
TECHNOLOGY

Yoke Type DCB Roller Part Number	A Roller Dia. +0.000 -0.001	B Roller Width	C Bore Dia. +0.0007 -0.0000	SD Shoulder Dia.	SL Shoulder Length	T Inner Race Width +0.005 -0.010
PDCY-2.00	2.000	1.25	0.6250	1.2	0.03	1.313
PDCY-2.25	2.250	1.25	0.6250	1.2	0.03	1.313
PDCY-2.50	2.500	1.50	0.7500	1.6	0.03	1.563
PDCY-2.75	2.750	1.50	0.7500	1.6	0.03	1.563
PDCY-3.00	3.000	1.75	1.0000	1.9	0.03	1.813
PDCY-3.25	3.250	1.75	1.0000	1.9	0.03	1.813
PDCY-3.50	3.500	2.00	1.1250	2.1	0.03	2.063
PDCY-4.00	4.000	2.25	1.2500	2.3	0.03	2.313
PDCY-5.00	5.000	2.75	1.7500	2.9	0.06	2.875
PDCY-6.00	6.000	3.25	2.2500	3.6	0.06	3.375
PDCY-7.00	7.000	3.75	2.7500	4.1	0.06	3.875
PDCY-8.00	8.000	4.25	3.2550	4.7	0.13	4.500
PDCY-9.00	9.000	4.75	3.7550	5.3	0.13	5.000
PDCY-10.00	10.000	5.25	4.2550	5.9	0.13	5.500

Optional PCI Yoke Shaft	Optional PCI Eccentric Yoke Shaft
YSH-.625	YSHE-.625
YSH-.625	YSHE-.625
YSH-.750	YSHE-.750
YSH-.750	YSHE-.750
YSH-1.000	YSHE-1.000
YSH-1.000	YSHE-1.000
YSH-1.125	YSHE-1.125
YSH-1.250	YSHE-1.250
YSH-1.750	YSHE-1.750
YSH-2.250	YSHE-2.250
YSH-2.750	YSHE-2.750
YSH-3.250	-
YSH-3.750	-
YSH-4.250	-

# PDCY Series DCB Roller

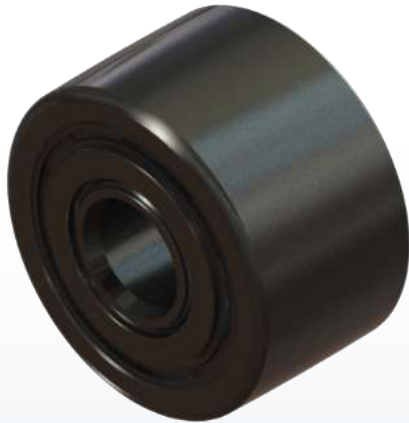
Plain/Cylindrical – Yoke Type

Full Complement Cylindrical Roller Bearings



(989)358-6148

www.pcimfg.com



## ADDITIONAL NOTES

FC DCRB: Full Complement Double Row Cylindrical Roller Bearings – Alloy Steel

FEATURING ∞ INFINITY ROLLER™ TECHNOLOGY

PCI Heavy Duty Yoke Shafts are available at an additional cost. See YSH page for details.

Specifications subject to change without notice.

Yoke Type DCB Roller Part Number	Basic Radial Dynamic Load Rating (lbs) C	Basic Radial Static Load Rating (lbs) Co	Seal Type	Bearing Type	Approx. Roller Weight (lbs)
PDCY-2.00	12,140	15,309	Rubber Lip	FC DCRB	0.83
PDCY-2.25	12,140	15,309	Rubber Lip	FC DCRB	1.12
PDCY-2.50	18,592	24,279	Rubber Lip	FC DCRB	1.62
PDCY-2.75	18,592	24,279	Rubber Lip	FC DCRB	2.05
PDCY-3.00	27,600	38,000	Rubber Lip	FC DCRB	2.69
PDCY-3.25	27,600	38,000	Rubber Lip	FC DCRB	3.29
PDCY-3.50	36,000	50,100	Rubber Lip	FC DCRB	4.18
PDCY-4.00	47,200	67,200	Rubber Lip	FC DCRB	6.14
PDCY-5.00	71,000	104,700	Rubber Lip	FC DCRB	11.49
PDCY-6.00	102,000	155,500	Rubber Lip	FC DCRB	19.36
PDCY-7.00	132,400	204,800	Rubber Lip	FC DCRB	29.53
PDCY-8.00	169,200	267,500	Rubber Lip	FC DCRB	43.46
PDCY-9.00	210,600	337,200	Rubber Lip	FC DCRB	60.53
PDCY-10.00	260,700	424,800	Rubber Lip	FC DCRB	81.77

# PDCY-R Series DCB Roller

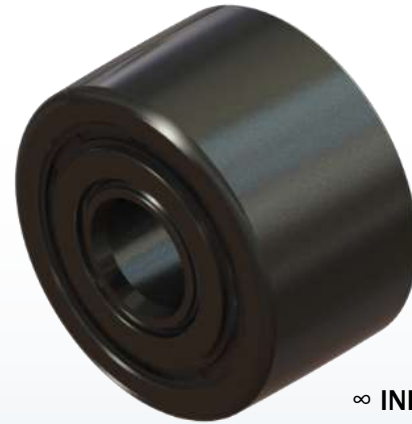
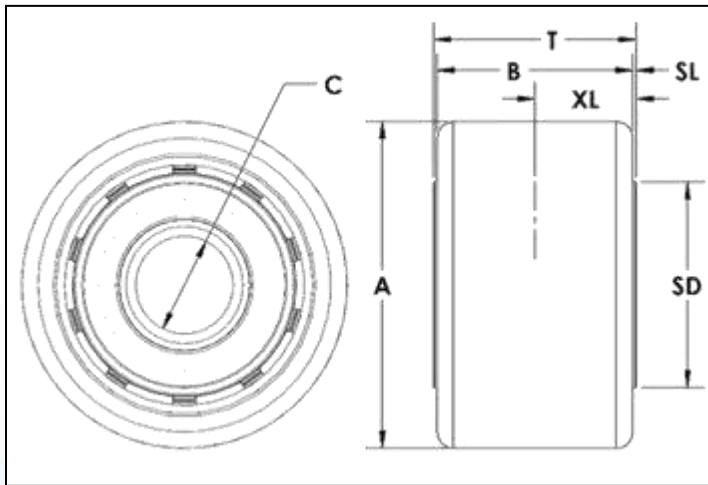
Plain/Cylindrical – Yoke Type

Full Complement Cylindrical Roller Bearings - Regreasable



(989)358-6148

www.pcimfg.com



FEATURING  
∞ INFINITY ROLLER™  
TECHNOLOGY

Yoke Type DCB Roller Part Number	A	B	C	SD	SL	T	XL
	Roller Dia. +0.000 -0.001	Roller Width	Bore Dia. +0.0007 -0.0000	Shoulder Dia.	Shoulder Length	Inner Race Width +0.005 -0.010	Grease Groove Location
PDCY-2.00-R	2.000	1.25	0.6250	1.2	0.03	1.313	0.66
PDCY-2.25-R	2.250	1.25	0.6250	1.2	0.03	1.313	0.66
PDCY-2.50-R	2.500	1.50	0.7500	1.6	0.03	1.563	0.78
PDCY-2.75-R	2.750	1.50	0.7500	1.6	0.03	1.563	0.78
PDCY-3.00-R	3.000	1.75	1.0000	1.9	0.03	1.813	0.91
PDCY-3.25-R	3.250	1.75	1.0000	1.9	0.03	1.813	0.91
PDCY-3.50-R	3.500	2.00	1.1250	2.1	0.03	2.063	1.03
PDCY-4.00-R	4.000	2.25	1.2500	2.3	0.03	2.313	1.16
PDCY-5.00-R	5.000	2.75	1.7500	2.9	0.06	2.875	1.44
PDCY-6.00-R	6.000	3.25	2.2500	3.6	0.06	3.375	1.69
PDCY-7.00-R	7.000	3.75	2.7500	4.1	0.06	3.875	1.94
PDCY-8.00-R	8.000	4.25	3.2550	4.7	0.13	4.500	2.25
PDCY-9.00-R	9.000	4.75	3.7550	5.3	0.13	5.000	2.50
PDCY-10.00-R	10.000	5.25	4.2550	5.9	0.13	5.500	2.75

Optional PCI Yoke Shaft	Optional PCI Eccentric Yoke Shaft
YSH-.625-R	YSHE-.625-R
YSH-.625-R	YSHE-.625-R
YSH-.750-R	YSHE-.750-R
YSH-.750-R	YSHE-.750-R
YSH-1.000-R	YSHE-1.000-R
YSH-1.000-R	YSHE-1.000-R
YSH-1.125-R	YSHE-1.125-R
YSH-1.250-R	YSHE-1.250-R
YSH-1.750-R	YSHE-1.750-R
YSH-2.250-R	YSHE-2.250-R
YSH-2.750-R	YSHE-2.750-R
YSH-3.250-R	-
YSH-3.750-R	-
YSH-4.250-R	-

# PDCY-R Series DCB Roller

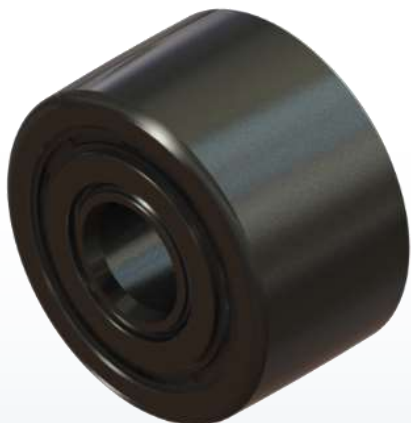
Plain/Cylindrical – Yoke Type

Full Complement Cylindrical Roller Bearings - Regreasable



(989)358-6148

www.pcimfg.com



## ADDITIONAL NOTES

FC DCRB: Full Complement Double Row Cylindrical Roller Bearings – Alloy Steel

FEATURING ∞ INFINITY ROLLER™ TECHNOLOGY

PCI Heavy Duty Yoke Shafts are available at an additional cost. See YSH page for details.

Specifications subject to change without notice.

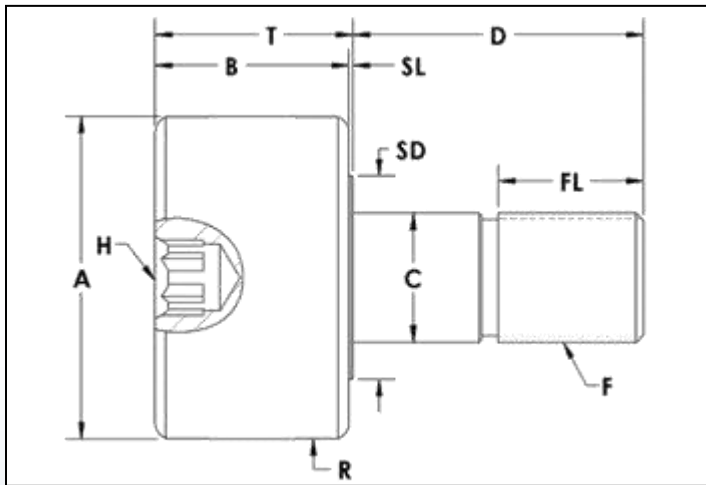
Yoke Type DCB Roller Part Number	Basic Radial Dynamic Load Rating (lbs) C	Basic Radial Static Load Rating (lbs) Co	Seal Type	Bearing Type	Approx. Roller Weight (lbs)
PDCY-2.00-R	12,140	15,309	Rubber Lip	FC DCRB	0.83
PDCY-2.25-R	12,140	15,309	Rubber Lip	FC DCRB	1.12
PDCY-2.50-R	18,592	24,279	Rubber Lip	FC DCRB	1.62
PDCY-2.75-R	18,592	24,279	Rubber Lip	FC DCRB	2.05
PDCY-3.00-R	27,600	38,000	Rubber Lip	FC DCRB	2.69
PDCY-3.25-R	27,600	38,000	Rubber Lip	FC DCRB	3.29
PDCY-3.50-R	36,000	50,100	Rubber Lip	FC DCRB	4.18
PDCY-4.00-R	47,200	67,200	Rubber Lip	FC DCRB	6.14
PDCY-5.00-R	71,000	104,700	Rubber Lip	FC DCRB	11.49
PDCY-6.00-R	102,000	155,500	Rubber Lip	FC DCRB	19.36
PDCY-7.00-R	132,400	204,800	Rubber Lip	FC DCRB	29.53
PDCY-8.00-R	169,200	267,500	Rubber Lip	FC DCRB	43.46
PDCY-9.00-R	210,600	337,200	Rubber Lip	FC DCRB	60.53
PDCY-10.00-R	260,700	424,800	Rubber Lip	FC DCRB	81.77

# CDC Series DCB Roller

Crowned/Spherical – Stud Type Concentric – Hex Socket  
Full Complement Cylindrical Roller Bearings



(989)358-6148  
www.pcimfg.com



FEATURING  
∞ INFINITY ROLLER™  
TECHNOLOGY

Stud Type DCB Roller Part Number	A Roller Dia. +0.00 -.001	B Roller Width	C Stud Dia. +0.00 -.001	D Stud Length	F Thread Size	FL Thread Length	H Hex Size	R Crown Radius	SD Shoulder Dia.	SL Shoulder Length	T Roller Width + Shoulder Length
CDC-2.00	2.000	1.25	0.875	2.00	7/8 - 14	1.00	7/16	24	1.2	0.03	1.28
CDC-2.25	2.250	1.25	0.875	2.00	7/8 - 14	1.00	7/16	24	1.2	0.03	1.28
CDC-2.50	2.500	1.50	1.000	2.25	1 - 14	1.13	1/2	30	1.6	0.03	1.53
CDC-2.75	2.750	1.50	1.000	2.25	1 - 14	1.13	1/2	30	1.6	0.03	1.53
CDC-3.00	3.000	1.75	1.250	2.50	1 1/4 - 12	1.25	3/4	30	1.9	0.03	1.78
CDC-3.25	3.250	1.75	1.250	2.50	1 1/4 - 12	1.25	3/4	30	1.9	0.03	1.78
CDC-3.50	3.500	2.00	1.375	2.75	1 3/8 - 12	1.38	3/4	30	2.1	0.03	2.03
CDC-4.00	4.000	2.25	1.500	3.50	1 1/2 - 12	1.50	3/4	30	2.3	0.03	2.28
CDC-5.00	5.000	2.75	2.000	5.06	2 - 12	2.56	7/8	48	2.9	0.06	2.81
CDC-6.00	6.000	3.25	2.500	6.00	2 1/2 - 12	3.00	1	56	3.6	0.06	3.31
CDC-7.00	7.000	3.75	3.000	7.68	3 - 12	4.13	1 1/4	60	4.1	0.06	3.81
CDC-8.00	8.000	4.25	3.250	8.50	3 1/4 - 4	4.25	1 1/4	40	4.7	0.13	4.38
CDC-9.00	9.000	4.75	3.750	9.50	3 1/2 - 4	4.75	1 1/4	40	5.3	0.13	4.90
CDC-10.00	10.000	5.25	4.250	10.00	3 1/2 - 4	4.75	1 1/4	40	5.8	0.13	5.38

# CDC Series DCB Roller

Crowned/Spherical – Stud Type Concentric – Hex Socket  
Full Complement Cylindrical Roller Bearings



## ADDITIONAL NOTES

\*For lubricated threads, use half the maximum clamping torque value shown.

FC DCRB: Full Complement Double Row Cylindrical Roller Bearings – Alloy Steel

FEATURING ∞ INFINITY ROLLER™ TECHNOLOGY

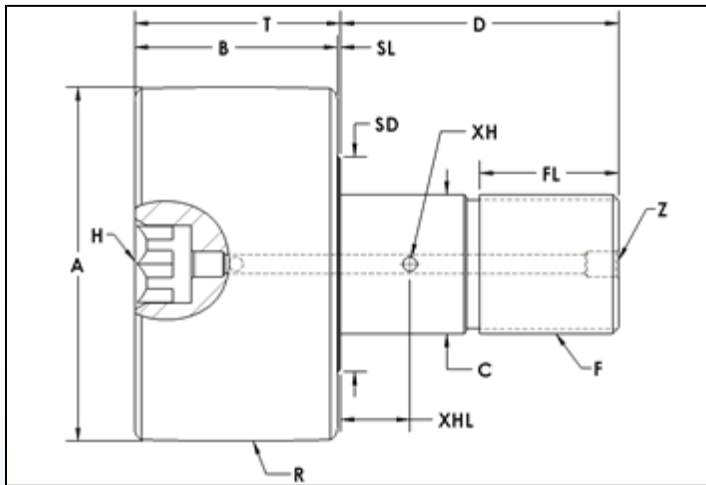
Jam Nut/Lock Washer sets are available at an additional cost.

Specifications subject to change without notice.

Stud Type DCB Roller Part Number	Basic Radial Dynamic Load Rating (lbs) C	Basic Radial Static Load Rating (lbs) Co	Stud Capacity (lbs)	Max. Clamping Torque (in-lbs)*	Seal Type	Bearing Type	Approx. Roller Weight (lbs)
CDC-2.00	12,140	15,309	6,260	650	Rubber Lip	FC DCRB	1.25
CDC-2.25	12,140	15,309	6,260	650	Rubber Lip	FC DCRB	1.54
CDC-2.50	18,592	24,279	7,820	2,250	Rubber Lip	FC DCRB	2.27
CDC-2.75	18,592	24,279	7,820	2,250	Rubber Lip	FC DCRB	2.69
CDC-3.00	27,600	38,000	13,120	3,450	Rubber Lip	FC DCRB	3.87
CDC-3.25	27,600	38,000	13,120	3,450	Rubber Lip	FC DCRB	4.46
CDC-3.50	36,000	50,100	15,310	5,000	Rubber Lip	FC DCRB	5.81
CDC-4.00	47,200	67,200	17,700	5,000	Rubber Lip	FC DCRB	8.58
CDC-5.00	71,000	104,700	34,040	5,000	Rubber Lip	FC DCRB	17.74
CDC-6.00	102,000	155,500	56,450	5,000	Rubber Lip	FC DCRB	31.07
CDC-7.00	132,400	204,800	84,740	5,000	Rubber Lip	FC DCRB	50.65
CDC-8.00	169,200	267,500	93,720	5,000	Rubber Lip	FC DCRB	72.50
CDC-9.00	210,600	337,200	128,690	5,000	Rubber Lip	FC DCRB	102.04
CDC-10.00	260,700	424,800	170,630	5,000	Rubber Lip	FC DCRB	135.42

# CDC-R Series DCB Roller

Crowned/Spherical – Stud Type Concentric – Hex Socket  
Full Complement Cylindrical Roller Bearings - Regreasable



FEATURING  
∞ INFINITY ROLLER™  
TECHNOLOGY

Stud Type DCB Roller Part Number	A	B	C	D	F	FL	H	R	SD	SL	T	XH	XHL	Z
	Roller Dia. +.000 -.001	Roller Width	Stud Dia. +.000 -.001	Stud Length	Thread Size	Thread Length	Hex Size	Crown Radius	Shoulder Dia.	Shoulder Length	Roller Width + Shoulder Length	Crosshole Dia	Crosshole Location	Lube Size
CDC-2.00-R	2.000	1.25	0.875	2.00	7/8 - 14	1.00	7/16	24	1.2	0.03	1.28	0.13	0.50	1/4 Drive†
CDC-2.25-R	2.250	1.25	0.875	2.00	7/8 - 14	1.00	7/16	24	1.2	0.03	1.28	0.13	0.50	1/4 Drive†
CDC-2.50-R	2.500	1.50	1.000	2.25	1 - 14	1.13	1/2	30	1.6	0.03	1.53	0.13	0.56	1/4 Drive†
CDC-2.75-R	2.750	1.50	1.000	2.25	1 - 14	1.13	1/2	30	1.6	0.03	1.53	0.13	0.56	1/4 Drive†
CDC-3.00-R	3.000	1.75	1.250	2.50	1 1/4 - 12	1.25	3/4	30	1.9	0.03	1.78	0.13	0.63	1/4 Drive
CDC-3.25-R	3.250	1.75	1.250	2.50	1 1/4 - 12	1.25	3/4	30	1.9	0.03	1.78	0.13	0.63	1/4 Drive
CDC-3.50-R	3.500	2.00	1.375	2.75	1 3/8 - 12	1.38	3/4	30	2.1	0.03	2.03	0.13	0.69	1/4 Drive
CDC-4.00-R	4.000	2.25	1.500	3.50	1 1/2 - 12	1.50	3/4	30	2.3	0.03	2.28	0.13	0.75	1/4 Drive
CDC-5.00-R	5.000	2.75	2.000	5.06	2 - 12	2.56	7/8	48	2.9	0.06	2.81	0.19	0.88	1/4-18 NPT
CDC-6.00-R	6.000	3.25	2.500	6.00	2 1/2 - 12	3.00	1	56	3.6	0.06	3.31	0.19	1.00	1/4-18 NPT
CDC-7.00-R	7.000	3.75	3.000	7.68	3 - 12	4.13	1 1/4	60	4.1	0.06	3.81	0.19	1.25	1/4-18 NPT
CDC-8.00-R	8.000	4.25	3.250	8.50	3 1/4 - 4	4.25	1 1/4	40	4.7	0.13	4.38	-	-	1/4-18 NPT‡
CDC-9.00-R	9.000	4.75	3.750	9.50	3 1/2 - 4	4.75	1 1/4	40	5.3	0.13	4.90	-	-	1/4-18 NPT‡
CDC-10.00-R	10.000	5.25	4.250	10.00	3 1/2 - 4	4.75	1 1/4	40	5.8	0.13	5.38	-	-	1/4-18 NPT‡

† Lubrication through threaded end and cross hole only

‡ Lubrication through hex in roller end only.

# CDC-R Series DCB Roller

Crowned/Spherical – Stud Type Concentric – Hex Socket  
Full Complement Cylindrical Roller Bearings - Regreasable



## ADDITIONAL NOTES

\*For lubricated threads, use half the maximum clamping torque value shown.

FC DCRB: Full Complement Double Row Cylindrical Roller Bearings – Alloy Steel

FEATURING ∞ INFINITY ROLLER™ TECHNOLOGY

Jam Nut/Lock Washer sets are available at an additional cost.

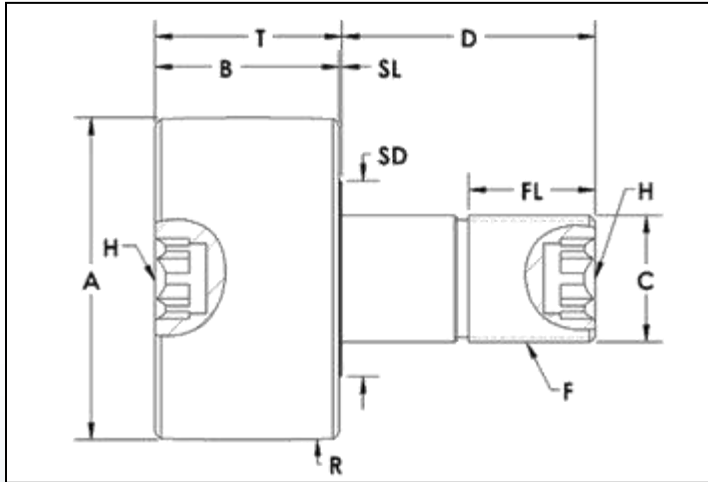
Specifications subject to change without notice.

Stud Type DCB Roller Part Number	Basic Radial Dynamic Load Rating (lbs) C	Basic Radial Static Load Rating (lbs) Co	Stud Capacity (lbs)	Max. Clamping Torque (in-lbs)*	Seal Type	Bearing Type	Approx. Roller Weight (lbs)
CDC-2.00-R	12,140	15,309	6,260	650	Rubber Lip	FC DCRB	1.25
CDC-2.25-R	12,140	15,309	6,260	650	Rubber Lip	FC DCRB	1.54
CDC-2.50-R	18,592	24,279	7,820	2,250	Rubber Lip	FC DCRB	2.27
CDC-2.75-R	18,592	24,279	7,820	2,250	Rubber Lip	FC DCRB	2.69
CDC-3.00-R	27,600	38,000	13,120	3,450	Rubber Lip	FC DCRB	3.87
CDC-3.25-R	27,600	38,000	13,120	3,450	Rubber Lip	FC DCRB	4.46
CDC-3.50-R	36,000	50,100	15,310	5,000	Rubber Lip	FC DCRB	5.81
CDC-4.00-R	47,200	67,200	17,700	5,000	Rubber Lip	FC DCRB	8.58
CDC-5.00-R	71,000	104,700	34,040	5,000	Rubber Lip	FC DCRB	17.74
CDC-6.00-R	102,000	155,500	56,450	5,000	Rubber Lip	FC DCRB	31.07
CDC-7.00-R	132,400	204,800	84,740	5,000	Rubber Lip	FC DCRB	50.65
CDC-8.00-R	169,200	267,500	93,720	5,000	Rubber Lip	FC DCRB	72.50
CDC-9.00-R	210,600	337,200	128,690	5,000	Rubber Lip	FC DCRB	102.04
CDC-10.00-R	260,700	424,800	170,630	5,000	Rubber Lip	FC DCRB	135.42



# CDC-H Series DCB Roller

Crowned/Spherical – Stud Type Concentric – Hex Socket Both Ends  
Full Complement Cylindrical Roller Bearings



FEATURING  
∞ INFINITY ROLLER™  
TECHNOLOGY

Stud Type DCB Roller Part Number	A	B	C	D	F	FL	H	R	SD	SL	T
	Roller Dia. +.000 -.001	Roller Width	Stud Dia. +.000 -.001	Stud Length	Thread Size	Thread Length	Hex Size	Crown Radius	Shoulder Dia.	Shoulder Length	Roller Width + Shoulder Length
CDC-2.00-H	2.000	1.25	0.875	2.00	7/8 - 14	1.00	7/16	24	1.2	0.03	1.28
CDC-2.25-H	2.250	1.25	0.875	2.00	7/8 - 14	1.00	7/16	24	1.2	0.03	1.28
CDC-2.50-H	2.500	1.50	1.000	2.25	1 - 14	1.13	1/2	30	1.6	0.03	1.53
CDC-2.75-H	2.750	1.50	1.000	2.25	1 - 14	1.13	1/2	30	1.6	0.03	1.53
CDC-3.00-H	3.000	1.75	1.250	2.50	1 1/4 - 12	1.25	3/4	30	1.9	0.03	1.78
CDC-3.25-H	3.250	1.75	1.250	2.50	1 1/4 - 12	1.25	3/4	30	1.9	0.03	1.78
CDC-3.50-H	3.500	2.00	1.375	2.75	1 3/8 - 12	1.38	3/4	30	2.1	0.03	2.03
CDC-4.00-H	4.000	2.25	1.500	3.50	1 1/2 - 12	1.50	3/4	30	2.3	0.03	2.28
CDC-5.00-H	5.000	2.75	2.000	5.06	2 - 12	2.56	7/8	48	2.9	0.06	2.81
CDC-6.00-H	6.000	3.25	2.500	6.00	2 1/2 - 12	3.00	1	56	3.6	0.06	3.31
CDC-7.00-H	7.000	3.75	3.000	7.68	3 - 12	4.13	1 1/4	60	4.1	0.06	3.81
CDC-8.00-H	8.000	4.25	3.250	8.50	3 1/4 - 4	4.25	1 1/4	40	4.7	0.13	4.38
CDC-9.00-H	9.000	4.75	3.750	9.50	3 1/2 - 4	4.75	1 1/4	40	5.3	0.13	4.90
CDC-10.00-H	10.000	5.25	4.250	10.00	3 1/2 - 4	4.75	1 1/4	40	5.8	0.13	5.38

# CDC-H Series DCB Roller

Crowned/Spherical – Stud Type Concentric – Hex Socket Both Ends  
Full Complement Cylindrical Roller Bearings



## ADDITIONAL NOTES

\*For lubricated threads, use half the maximum clamping torque value shown.

FC DCRB: Full Complement Double Row Cylindrical Roller Bearings – Alloy Steel

FEATURING ∞ INFINITY ROLLER™ TECHNOLOGY

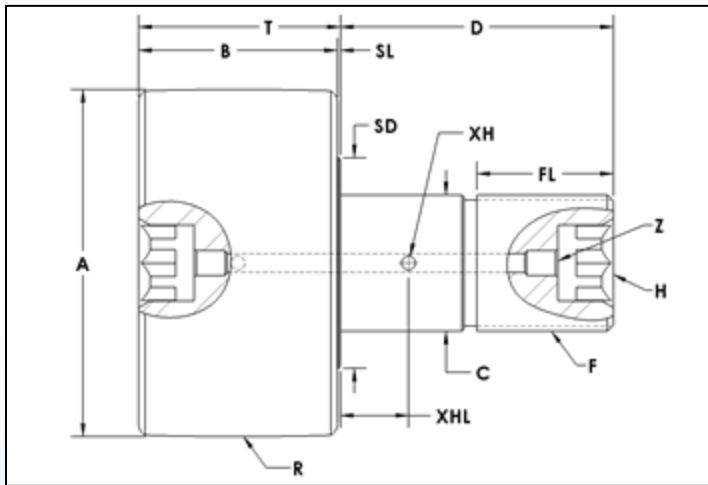
Jam Nut/Lock Washer sets are available at an additional cost.

Specifications subject to change without notice.

Stud Type DCB Roller Part Number	Basic Radial Dynamic Load Rating (lbs) C	Basic Radial Static Load Rating (lbs) Co	Stud Capacity (lbs)	Max. Clamping Torque (in-lbs)*	Seal Type	Bearing Type	Approx. Roller Weight (lbs)
CDC-2.00-H	12,140	15,309	6,260	650	Rubber Lip	FC DCRB	1.25
CDC-2.25-H	12,140	15,309	6,260	650	Rubber Lip	FC DCRB	1.54
CDC-2.50-H	18,592	24,279	7,820	2,250	Rubber Lip	FC DCRB	2.27
CDC-2.75-H	18,592	24,279	7,820	2,250	Rubber Lip	FC DCRB	2.69
CDC-3.00-H	27,600	38,000	13,120	3,450	Rubber Lip	FC DCRB	3.87
CDC-3.25-H	27,600	38,000	13,120	3,450	Rubber Lip	FC DCRB	4.46
CDC-3.50-H	36,000	50,100	15,310	5,000	Rubber Lip	FC DCRB	5.81
CDC-4.00-H	47,200	67,200	17,700	5,000	Rubber Lip	FC DCRB	8.58
CDC-5.00-H	71,000	104,700	34,040	5,000	Rubber Lip	FC DCRB	17.74
CDC-6.00-H	102,000	155,500	56,450	5,000	Rubber Lip	FC DCRB	31.07
CDC-7.00-H	132,400	204,800	84,740	5,000	Rubber Lip	FC DCRB	50.65
CDC-8.00-H	169,200	267,500	93,720	5,000	Rubber Lip	FC DCRB	72.50
CDC-9.00-H	210,600	337,200	128,690	5,000	Rubber Lip	FC DCRB	102.04
CDC-10.00-H	260,700	424,800	170,630	5,000	Rubber Lip	FC DCRB	135.42

# CDC-R-H Series DCB Roller

Crowned/Spherical – Stud Type Concentric – Hex Socket Both Ends  
Full Complement Cylindrical Roller Bearings - Regreasable



FEATURING  
∞ INFINITY ROLLER™  
TECHNOLOGY

Stud Type DCB Roller Part Number	A	B	C	D	F	FL	H	R	SD	SL	T	XH	XHL	Z
	Roller Dia. +.000 -.001	Roller Width	Stud Dia. +.000 -.001	Stud Length	Thread Size	Thread Length	Hex Size	Crown Radius	Shoulder Dia.	Shoulder Length	Roller Width + Shoulder Length	Crosshole Dia	Crosshole Location	Lube Size
CDC-2.00-R-H	2.000	1.25	0.875	2.00	7/8 - 14	1.00	7/16	24	1.2	0.03	1.28	0.13	0.50	1/4-28 UNF†
CDC-2.25-R-H	2.250	1.25	0.875	2.00	7/8 - 14	1.00	7/16	24	1.2	0.03	1.28	0.13	0.50	1/4-28 UNF†
CDC-2.50-R-H	2.500	1.50	1.000	2.25	1 - 14	1.13	1/2	30	1.6	0.03	1.53	0.13	0.56	1/4-28 UNF†
CDC-2.75-R-H	2.750	1.50	1.000	2.25	1 - 14	1.13	1/2	30	1.6	0.03	1.53	0.13	0.56	1/4-28 UNF†
CDC-3.00-R-H	3.000	1.75	1.250	2.50	1 1/4 - 12	1.25	3/4	30	1.9	0.03	1.78	0.13	0.63	1/4 Drive
CDC-3.25-R-H	3.250	1.75	1.250	2.50	1 1/4 - 12	1.25	3/4	30	1.9	0.03	1.78	0.13	0.63	1/4 Drive
CDC-3.50-R-H	3.500	2.00	1.375	2.75	1 3/8 - 12	1.38	3/4	30	2.1	0.03	2.03	0.13	0.69	1/4 Drive
CDC-4.00-R-H	4.000	2.25	1.500	3.50	1 1/2 - 12	1.50	3/4	30	2.3	0.03	2.28	0.13	0.75	1/4 Drive
CDC-5.00-R-H	5.000	2.75	2.000	5.06	2 - 12	2.56	7/8	48	2.9	0.06	2.81	0.19	0.88	1/4-18 NPT
CDC-6.00-R-H	6.000	3.25	2.500	6.00	2 1/2 - 12	3.00	1	56	3.6	0.06	3.31	0.19	1.00	1/4-18 NPT
CDC-7.00-R-H	7.000	3.75	3.000	7.68	3 - 12	4.13	1 1/4	60	4.1	0.06	3.81	0.19	1.25	1/4-18 NPT
CDC-8.00-R-H	8.000	4.25	3.250	8.50	3 1/4 - 4	4.25	1 1/4	40	4.7	0.13	4.38	-	-	1/4-18 NPT‡
CDC-9.00-R-H	9.000	4.75	3.750	9.50	3 1/2 - 4	4.75	1 1/4	40	5.3	0.13	4.90	-	-	1/4-18 NPT‡
CDC-10.00-R-H	10.000	5.25	4.250	10.00	3 1/2 - 4	4.75	1 1/4	40	5.8	0.13	5.38	-	-	1/4-18 NPT‡

† Lubrication in threaded end and cross hole only. Grease fitting extends from end of stud

‡ Lubrication through hex in roller end only.

# CDC-R-H Series DCB Roller

Crowned/Spherical – Stud Type Concentric – Hex Socket Both Ends  
Full Complement Cylindrical Roller Bearings - Regreasable



## ADDITIONAL NOTES

\*For lubricated threads, use half the maximum clamping torque value shown.

FC DCRB: Full Complement Double Row Cylindrical Roller Bearings – Alloy Steel

FEATURING ∞ INFINITY ROLLER™ TECHNOLOGY

Jam Nut/Lock Washer sets are available at an additional cost.

Specifications subject to change without notice.

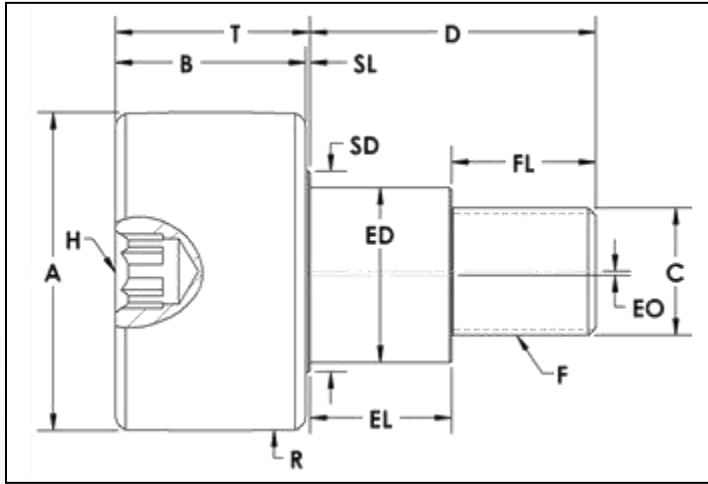
Stud Type DCB Roller Part Number	Basic Radial Dynamic Load Rating (lbs) C	Basic Radial Static Load Rating (lbs) Co	Stud Capacity (lbs)	Max. Clamping Torque (in-lbs)*	Seal Type	Bearing Type	Approx. Roller Weight (lbs)
CDC-2.00-R-H	12,140	15,309	6,260	650	Rubber Lip	FC DCRB	1.25
CDC-2.25-R-H	12,140	15,309	6,260	650	Rubber Lip	FC DCRB	1.54
CDC-2.50-R-H	18,592	24,279	7,820	2,250	Rubber Lip	FC DCRB	2.27
CDC-2.75-R-H	18,592	24,279	7,820	2,250	Rubber Lip	FC DCRB	2.69
CDC-3.00-R-H	27,600	38,000	13,120	3,450	Rubber Lip	FC DCRB	3.87
CDC-3.25-R-H	27,600	38,000	13,120	3,450	Rubber Lip	FC DCRB	4.46
CDC-3.50-R-H	36,000	50,100	15,310	5,000	Rubber Lip	FC DCRB	5.81
CDC-4.00-R-H	47,200	67,200	17,700	5,000	Rubber Lip	FC DCRB	8.58
CDC-5.00-R-H	71,000	104,700	34,040	5,000	Rubber Lip	FC DCRB	17.74
CDC-6.00-R-H	102,000	155,500	56,450	5,000	Rubber Lip	FC DCRB	31.07
CDC-7.00-R-H	132,400	204,800	84,740	5,000	Rubber Lip	FC DCRB	50.65
CDC-8.00-R-H	169,200	267,500	93,720	5,000	Rubber Lip	FC DCRB	72.50
CDC-9.00-R-H	210,600	337,200	128,690	5,000	Rubber Lip	FC DCRB	102.04
CDC-10.00-R-H	260,700	424,800	170,630	5,000	Rubber Lip	FC DCRB	135.42

# CDCE Series DCB Roller

Crowned/Spherical – Stud Type Eccentric – Hex Socket  
Full Complement Cylindrical Roller Bearings



(989)358-6148  
www.pcimfg.com



FEATURING  
∞ INFINITY ROLLER™  
TECHNOLOGY

Stud Type DCB Roller Part Number	A	B	C	D	ED	EL	EO	F	FL	H	R	SD	SL	T
	Roller Dia. +.000 -.001	Roller Width	Stud Dia.	Stud Length	Ecc Dia +.000 -.002	Ecc Length	Ecc Offset	Thread Size	Thread Length	Hex Size	Crown Radius	Shoulder Dia.	Shoulder Length	Roller Width + Shoulder Length
CDCE-2.50	2.500	1.50	1.000	2.25	1.375	1.13	0.03	1 - 14	1.13	1/2	30	1.6	0.03	1.53
CDCE-2.75	2.750	1.50	1.000	2.25	1.375	1.13	0.03	1 - 14	1.13	1/2	30	1.6	0.03	1.53
CDCE-3.00	3.000	1.75	1.250	2.50	1.750	1.25	0.06	1 1/4 - 12	1.25	3/4	30	1.9	0.03	1.78
CDCE-3.25	3.250	1.75	1.250	2.50	1.750	1.25	0.06	1 1/4 - 12	1.25	3/4	30	1.9	0.03	1.78
CDCE-3.50	3.500	2.00	1.375	2.75	1.812	1.38	0.06	1 3/8 - 12	1.38	3/4	30	2.1	0.03	2.03
CDCE-4.00	4.000	2.25	1.500	3.50	2.000	2.00	0.06	1 1/2 - 12	1.50	3/4	30	2.3	0.03	2.28

# CDCE Series DCB Roller

Crowned/Spherical – Stud Type Eccentric – Hex Socket  
Full Complement Cylindrical Roller Bearings



## ADDITIONAL NOTES

\*For lubricated threads, use half the maximum clamping torque value shown.

FC DCRB: Full Complement Double Row Cylindrical Roller Bearings – Alloy Steel

FEATURING ∞ INFINITY ROLLER™ TECHNOLOGY

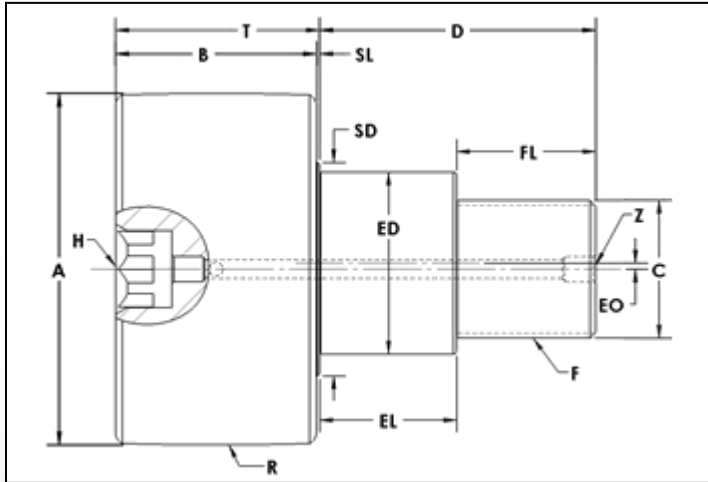
Jam Nut/Lock Washer sets are available at an additional cost.

Specifications subject to change without notice.

Stud Type DCB Roller Part Number	Basic Radial Dynamic Load Rating (lbs) C	Basic Radial Static Load Rating (lbs) Co	Stud Capacity (lbs)	Max. Clamping Torque (in-lbs)*	Seal Type	Bearing Type	Approx. Roller Weight (lbs)
CDCE-2.50	18,592	24,279	7,820	2,250	Rubber Lip	FC DCRB	2.48
CDCE-2.75	18,592	24,279	7,820	2,250	Rubber Lip	FC DCRB	2.91
CDCE-3.00	27,600	38,000	13,120	3,450	Rubber Lip	FC DCRB	4.28
CDCE-3.25	27,600	38,000	13,120	3,450	Rubber Lip	FC DCRB	4.86
CDCE-3.50	36,000	50,100	15,310	5,000	Rubber Lip	FC DCRB	6.21
CDCE-4.00	47,200	67,200	17,700	5,000	Rubber Lip	FC DCRB	9.31

# CDCE-R Series DCB Roller

Crowned/Spherical – Stud Type Eccentric – Hex Socket  
Full Complement Cylindrical Roller Bearings - Regreasable



FEATURING  
∞ INFINITY ROLLER™  
TECHNOLOGY

Stud Type DCB Roller Part Number	A	B	C	D	ED	EL	EO	F	FL	H	R	SD	SL	T	Z
	Roller Dia. +.000 -.001	Roller Width	Stud Dia.	Stud Length	Ecc Dia +.000 -.002	Ecc Length	Ecc Offset	Thread Size	Thread Length	Hex Size	Crown Radius	Shoulder Dia.	Shoulder Length	Roller Width + Shoulder Length	Lube Size
CDCE-2.50-R	2.500	1.50	1.000	2.25	1.375	1.13	0.03	1 - 14	1.13	1/2	30	1.6	0.03	1.53	1/4 Drive†
CDCE-2.75-R	2.750	1.50	1.000	2.25	1.375	1.13	0.03	1 - 14	1.13	1/2	30	1.6	0.03	1.53	1/4 Drive†
CDCE-3.00-R	3.000	1.75	1.250	2.50	1.750	1.25	0.06	1 1/4 - 12	1.25	3/4	30	1.9	0.03	1.78	1/4 Drive
CDCE-3.25-R	3.250	1.75	1.250	2.50	1.750	1.25	0.06	1 1/4 - 12	1.25	3/4	30	1.9	0.03	1.78	1/4 Drive
CDCE-3.50-R	3.500	2.00	1.375	2.75	1.812	1.38	0.06	1 3/8 - 12	1.38	3/4	30	2.1	0.03	2.03	1/4 Drive
CDCE-4.00-R	4.000	2.25	1.500	3.50	2.000	2.00	0.06	1 1/2 - 12	1.50	3/4	30	2.3	0.03	2.28	1/4 Drive

† Lubrication in threaded end only.

# CDCE-R Series DCB Roller

Crowned/Spherical – Stud Type Eccentric – Hex Socket  
Full Complement Cylindrical Roller Bearings - Regreasable



## ADDITIONAL NOTES

\*For lubricated threads, use half the maximum clamping torque value shown.

FC DCRB: Full Complement Double Row Cylindrical Roller Bearings – Alloy Steel

FEATURING ∞ INFINITY ROLLER™ TECHNOLOGY

Jam Nut/Lock Washer sets are available at an additional cost.

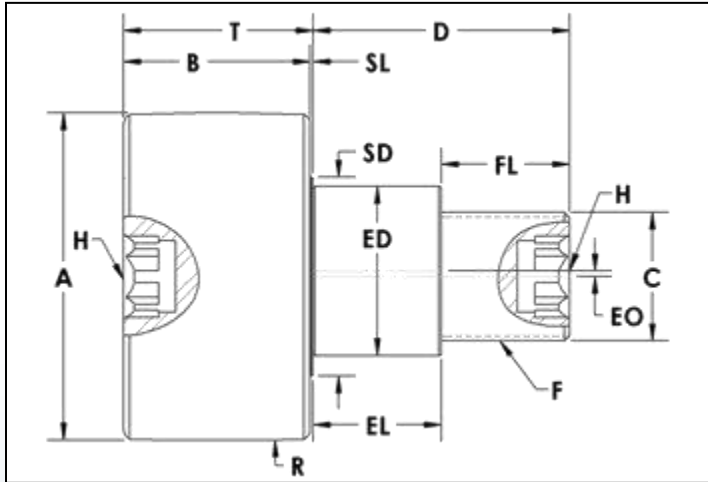
Specifications subject to change without notice.

Stud Type DCB Roller Part Number	Basic Radial Dynamic Load Rating (lbs) C	Basic Radial Static Load Rating (lbs) Co	Stud Capacity (lbs)	Max. Clamping Torque (in-lbs)*	Seal Type	Bearing Type	Approx. Roller Weight (lbs)
CDCE-2.50-R	18,592	24,279	7,820	2,250	Rubber Lip	FC DCRB	2.48
CDCE-2.75-R	18,592	24,279	7,820	2,250	Rubber Lip	FC DCRB	2.91
CDCE-3.00-R	27,600	38,000	13,120	3,450	Rubber Lip	FC DCRB	4.28
CDCE-3.25-R	27,600	38,000	13,120	3,450	Rubber Lip	FC DCRB	4.86
CDCE-3.50-R	36,000	50,100	15,310	5,000	Rubber Lip	FC DCRB	6.21
CDCE-4.00-R	47,200	67,200	17,700	5,000	Rubber Lip	FC DCRB	9.31



# CDCE-H Series DCB Roller

Crowned/Spherical – Stud Type Eccentric – Hex Socket Both Ends  
Full Complement Cylindrical Roller Bearings

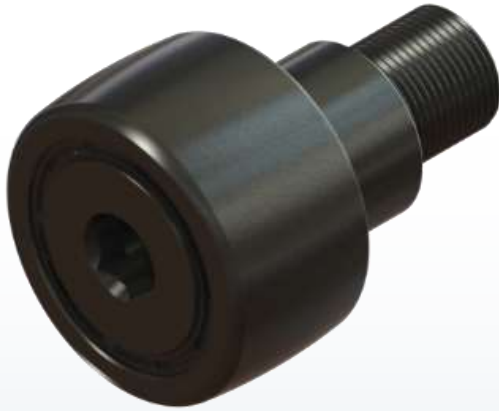


FEATURING  
∞ INFINITY ROLLER™  
TECHNOLOGY

Stud Type DCB Roller Part Number	A	B	C	D	ED	EL	EO	F	FL	H	R	SD	SL	T
	Roller Dia. +.000 -.001	Roller Width	Stud Dia.	Stud Length	Ecc Dia +.000 -.002	Ecc Length	Ecc Offset	Thread Size	Thread Length	Hex Size	Crown Radius	Shoulder Dia.	Shoulder Length	Roller Width + Shoulder Length
CDCE-2.50-H	2.500	1.50	1.000	2.25	1.375	1.13	0.03	1 - 14	1.13	1/2	30	1.6	0.03	1.53
CDCE-2.75-H	2.750	1.50	1.000	2.25	1.375	1.13	0.03	1 - 14	1.13	1/2	30	1.6	0.03	1.53
CDCE-3.00-H	3.000	1.75	1.250	2.50	1.750	1.25	0.06	1 1/4 - 12	1.25	3/4	30	1.9	0.03	1.78
CDCE-3.25-H	3.250	1.75	1.250	2.50	1.750	1.25	0.06	1 1/4 - 12	1.25	3/4	30	1.9	0.03	1.78
CDCE-3.50-H	3.500	2.00	1.375	2.75	1.812	1.38	0.06	1 3/8 - 12	1.38	3/4	30	2.1	0.03	2.03
CDCE-4.00-H	4.000	2.25	1.500	3.50	2.000	2.00	0.06	1 1/2 - 12	1.50	3/4	30	2.3	0.03	2.28

# CDCE-H Series DCB Roller

Crowned/Spherical – Stud Type Eccentric – Hex Socket Both Ends  
Full Complement Cylindrical Roller Bearings



## ADDITIONAL NOTES

\*For lubricated threads, use half the maximum clamping torque value shown.

FC DCRB: Full Complement Double Row Cylindrical Roller Bearings – Alloy Steel

FEATURING ∞ INFINITY ROLLER™ TECHNOLOGY

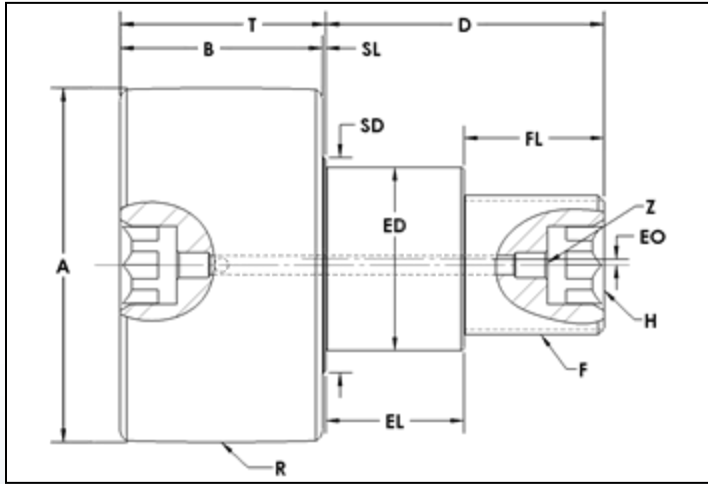
Jam Nut/Lock Washer sets are available at an additional cost.

Specifications subject to change without notice.

Stud Type DCB Roller Part Number	Basic Radial Dynamic Load Rating (lbs) C	Basic Radial Static Load Rating (lbs) Co	Stud Capacity (lbs)	Max. Clamping Torque (in-lbs)*	Seal Type	Bearing Type	Approx. Roller Weight (lbs)
CDCE-2.50-H	18,592	24,279	7,820	2,250	Rubber Lip	FC DCRB	2.48
CDCE-2.75-H	18,592	24,279	7,820	2,250	Rubber Lip	FC DCRB	2.91
CDCE-3.00-H	27,600	38,000	13,120	3,450	Rubber Lip	FC DCRB	4.28
CDCE-3.25-H	27,600	38,000	13,120	3,450	Rubber Lip	FC DCRB	4.86
CDCE-3.50-H	36,000	50,100	15,310	5,000	Rubber Lip	FC DCRB	6.21
CDCE-4.00-H	47,200	67,200	17,700	5,000	Rubber Lip	FC DCRB	9.31

# CDCE-R-H Series DCB Roller

Crowned/Spherical – Stud Type Eccentric – Hex Socket Both Ends  
Full Complement Cylindrical Roller Bearings - Regreasable



FEATURING  
∞ INFINITY ROLLER™  
TECHNOLOGY

Stud Type DCB Roller Part Number	A	B	C	D	ED	EL	EO	F	FL	H	R	SD	SL	T	Z
	Roller Dia. +.000 -.001	Roller Width	Stud Dia.	Stud Length	Ecc Dia +.000 -.002	Ecc Length	Ecc Offset	Thread Size	Thread Length	Hex Size	Crown Radius	Shoulder Dia.	Shoulder Length	Roller Width + Shoulder Length	Lube Size
CDCE-2.50-R-H	2.500	1.50	1.000	2.25	1.375	1.13	0.03	1 - 14	1.13	1/2	30	1.6	0.03	1.53	1/4-28 UNF†
CDCE-2.75-R-H	2.750	1.50	1.000	2.25	1.375	1.13	0.03	1 - 14	1.13	1/2	30	1.6	0.03	1.53	1/4-28 UNF†
CDCE-3.00-R-H	3.000	1.75	1.250	2.50	1.750	1.25	0.06	1 1/4 - 12	1.25	3/4	30	1.9	0.03	1.78	1/4 Drive
CDCE-3.25-R-H	3.250	1.75	1.250	2.50	1.750	1.25	0.06	1 1/4 - 12	1.25	3/4	30	1.9	0.03	1.78	1/4 Drive
CDCE-3.50-R-H	3.500	2.00	1.375	2.75	1.812	1.38	0.06	1 3/8 - 12	1.38	3/4	30	2.1	0.03	2.03	1/4 Drive
CDCE-4.00-R-H	4.000	2.25	1.500	3.50	2.000	2.00	0.06	1 1/2 - 12	1.50	3/4	30	2.3	0.03	2.28	1/4 Drive

† Lubrication in threaded end only. Grease fitting extends from end of stud

# CDCE-R-H Series DCB Roller

Crowned/Spherical – Stud Type Eccentric – Hex Socket Both Ends  
Full Complement Cylindrical Roller Bearings - Regreasable



## ADDITIONAL NOTES

\*For lubricated threads, use half the maximum clamping torque value shown.

FC DCRB: Full Complement Double Row Cylindrical Roller Bearings – Alloy Steel

FEATURING ∞ INFINITY ROLLER™ TECHNOLOGY

Jam Nut/Lock Washer sets are available at an additional cost.

Specifications subject to change without notice.

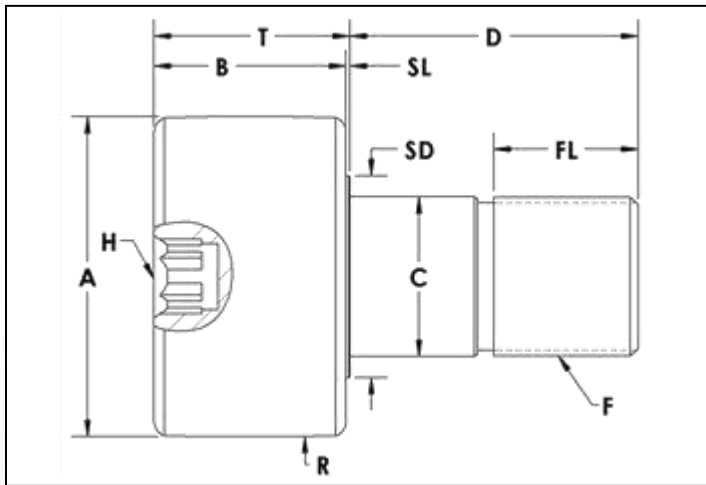
Stud Type DCB Roller Part Number	Basic Radial Dynamic Load Rating (lbs) C	Basic Radial Static Load Rating (lbs) Co	Stud Capacity (lbs)	Max. Clamping Torque (in-lbs)*	Seal Type	Bearing Type	Approx. Roller Weight (lbs)
CDCE-2.50-R-H	18,592	24,279	7,820	2,250	Rubber Lip	FC DCRB	2.48
CDCE-2.75-R-H	18,592	24,279	7,820	2,250	Rubber Lip	FC DCRB	2.91
CDCE-3.00-R-H	27,600	38,000	13,120	3,450	Rubber Lip	FC DCRB	4.28
CDCE-3.25-R-H	27,600	38,000	13,120	3,450	Rubber Lip	FC DCRB	4.86
CDCE-3.50-R-H	36,000	50,100	15,310	5,000	Rubber Lip	FC DCRB	6.21
CDCE-4.00-R-H	47,200	67,200	17,700	5,000	Rubber Lip	FC DCRB	9.31

# HCDC Series DCB Roller

Crowned/Spherical – Heavy Stud Type Concentric – Hex Socket  
Full Complement Cylindrical Roller Bearings



(989)358-6148  
www.pcimfg.com



FEATURING  
∞ INFINITY ROLLER™  
TECHNOLOGY

Stud Type DCB Roller Part Number	A Roller Dia. +.000 -.001	B Roller Width	C Stud Dia. +.000 -.001	D Stud Length	F Thread Size	FL Thread Length	H Hex Size	R Crown Radius	SD Shoulder Dia.	SL Shoulder Length	T Roller Width + Shoulder Length
HCDC-2.50	2.500	1.50	1.250	2.25	1 1/4 - 12	1.13	3/4	30	1.6	0.03	1.53
HCDC-2.75	2.750	1.50	1.250	2.25	1 1/4 - 12	1.13	3/4	30	1.6	0.03	1.53
HCDC-3.00	3.000	1.75	1.500	2.50	1 1/2 - 12	1.25	3/4	30	1.9	0.03	1.78
HCDC-3.25	3.250	1.75	1.500	2.50	1 1/2 - 12	1.25	3/4	30	1.9	0.03	1.78
HCDC-3.50	3.500	2.00	1.750	2.75	1 3/4 - 12	1.38	3/4	30	2.1	0.03	2.03
HCDC-4.00	4.000	2.25	2.000	3.50	2 - 12	1.50	3/4	30	2.3	0.03	2.28
HCDC-5.00	5.000	2.75	2.500	5.06	2 1/2 - 12	2.56	7/8	48	2.9	0.06	2.81
HCDC-6.00	6.000	3.25	3.000	6.00	3 - 12	3.00	1	56	3.6	0.06	3.31
HCDC-7.00	7.000	3.75	3.500	7.68	3 1/2 - 4	4.13	1 1/4	60	4.1	0.06	3.81

# HCDC Series DCB Roller

Crowned/Spherical – Heavy Stud Type Concentric – Hex Socket  
Full Complement Cylindrical Roller Bearings



## ADDITIONAL NOTES

\*For lubricated threads, use half the maximum clamping torque value shown.

FC DCRB: Full Complement Double Row Cylindrical Roller Bearings – Alloy Steel

FEATURING ∞ INFINITY ROLLER™ TECHNOLOGY

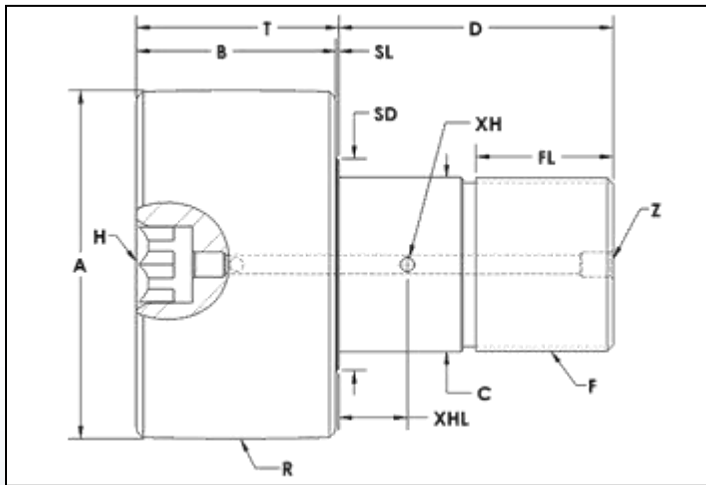
Jam Nut/Lock Washer sets are available at an additional cost.

Specifications subject to change without notice.

Stud Type DCB Roller Part Number	Basic Radial Dynamic Load Rating (lbs) C	Basic Radial Static Load Rating (lbs) Co	Stud Capacity (lbs)	Max. Clamping Torque (in-lbs)*	Seal Type	Bearing Type	Approx. Roller Weight (lbs)
HCDC-2.50	18,592	24,279	15,270	1,500	Rubber Lip	FC DCRB	2.54
HCDC-2.75	18,592	24,279	15,270	1,500	Rubber Lip	FC DCRB	2.97
HCDC-3.00	27,600	38,000	22,670	2,250	Rubber Lip	FC DCRB	4.22
HCDC-3.25	27,600	38,000	22,670	2,250	Rubber Lip	FC DCRB	4.82
HCDC-3.50	36,000	50,100	31,570	5,000	Rubber Lip	FC DCRB	6.49
HCDC-4.00	47,200	67,200	41,960	5,000	Rubber Lip	FC DCRB	9.88
HCDC-5.00	71,000	104,700	66,490	5,000	Rubber Lip	FC DCRB	20.15
HCDC-6.00	102,000	155,500	97,540	5,000	Rubber Lip	FC DCRB	34.39
HCDC-7.00	132,400	204,800	134,570	5,000	Rubber Lip	FC DCRB	55.65

# HCDC-R Series DCB Roller

Crowned/Spherical – Heavy Stud Type Concentric – Hex Socket  
Full Complement Cylindrical Roller Bearings - Regreasable



FEATURING  
∞ INFINITY ROLLER™  
TECHNOLOGY

Stud Type DCB Roller Part Number	A Roller Dia. +.000 -.001	B Roller Width	C Stud Dia. +.000 -.001	D Stud Length	F Thread Size	FL Thread Length	H Hex Size	R Crown Radius	SD Shoulder Dia.	SL Shoulder Length	T Roller Width + Shoulder Length	XH Crosshole Dia	XHL Crosshole Location	Z Lube Size
HCDC-2.50-R	2.500	1.50	1.250	2.25	1 1/4 - 12	1.13	3/4	30	1.6	0.03	1.53	0.13	0.56	1/4 Drive†
HCDC-2.75-R	2.750	1.50	1.250	2.25	1 1/4 - 12	1.13	3/4	30	1.6	0.03	1.53	0.13	0.56	1/4 Drive†
HCDC-3.00-R	3.000	1.75	1.500	2.50	1 1/2 - 12	1.25	3/4	30	1.9	0.03	1.78	0.13	0.63	1/4 Drive
HCDC-3.25-R	3.250	1.75	1.500	2.50	1 1/2 - 12	1.25	3/4	30	1.9	0.03	1.78	0.13	0.63	1/4 Drive
HCDC-3.50-R	3.500	2.00	1.750	2.75	1 3/4 - 12	1.38	3/4	30	2.1	0.03	2.03	0.13	0.69	1/4 Drive
HCDC-4.00-R	4.000	2.25	2.000	3.50	2 - 12	1.50	3/4	30	2.3	0.03	2.28	0.13	0.75	1/4 Drive
HCDC-5.00-R	5.000	2.75	2.500	5.06	2 1/2 - 12	2.56	7/8	48	2.9	0.06	2.81	0.19	0.88	1/4-18 NPT
HCDC-6.00-R	6.000	3.25	3.000	6.00	3 - 12	3.00	1	56	3.6	0.06	3.31	0.19	1.00	1/4-18 NPT
HCDC-7.00-R	7.000	3.75	3.500	7.68	3 1/2 - 4	4.13	1 1/4	60	4.1	0.06	3.81	0.19	1.25	1/4-18 NPT

† Lubrication in threaded end and cross hole only.

# HCDC-R Series DCB Roller

Crowned/Spherical – Heavy Stud Type Concentric – Hex Socket  
Full Complement Cylindrical Roller Bearings - Regreasable



## ADDITIONAL NOTES

\*For lubricated threads, use half the maximum clamping torque value shown.

FC DCRB: Full Complement Double Row Cylindrical Roller Bearings – Alloy Steel

FEATURING ∞ INFINITY ROLLER™ TECHNOLOGY

Jam Nut/Lock Washer sets are available at an additional cost.

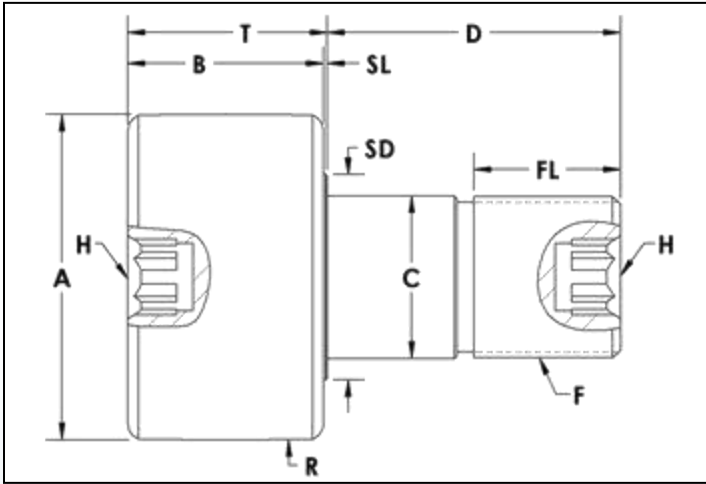
Specifications subject to change without notice.

Stud Type DCB Roller Part Number	Basic Radial Dynamic Load Rating (lbs) C	Basic Radial Static Load Rating (lbs) Co	Stud Capacity (lbs)	Max. Clamping Torque (in-lbs)*	Seal Type	Bearing Type	Approx. Roller Weight (lbs)
HCDC-2.50-R	18,592	24,279	15,270	1,500	Rubber Lip	FC DCRB	2.54
HCDC-2.75-R	18,592	24,279	15,270	1,500	Rubber Lip	FC DCRB	2.97
HCDC-3.00-R	27,600	38,000	22,670	2,250	Rubber Lip	FC DCRB	4.22
HCDC-3.25-R	27,600	38,000	22,670	2,250	Rubber Lip	FC DCRB	4.82
HCDC-3.50-R	36,000	50,100	31,570	5,000	Rubber Lip	FC DCRB	6.49
HCDC-4.00-R	47,200	67,200	41,960	5,000	Rubber Lip	FC DCRB	9.88
HCDC-5.00-R	71,000	104,700	66,490	5,000	Rubber Lip	FC DCRB	20.15
HCDC-6.00-R	102,000	155,500	97,540	5,000	Rubber Lip	FC DCRB	34.43
HCDC-7.00-R	132,400	204,800	134,570	5,000	Rubber Lip	FC DCRB	55.65



# HCDC-H Series DCB Roller

Crowned/Spherical-Heavy Stud Type Concentric-Hex Socket Both Ends  
Full Complement Cylindrical Roller Bearings



FEATURING  
∞ INFINITY ROLLER™  
TECHNOLOGY

Stud Type DCB Roller Part Number	A Roller Dia. +.000 -.001	B Roller Width	C Stud Dia. +.000 -.001	D Stud Length	F Thread Size	FL Thread Length	H Hex Size	R Crown Radius	SD Shoulder Dia.	SL Shoulder Length	T Roller Width + Shoulder Length
HCDC-2.50-H	2.500	1.50	1.250	2.25	1 1/4 - 12	1.13	3/4	30	1.6	0.03	1.53
HCDC-2.75-H	2.750	1.50	1.250	2.25	1 1/4 - 12	1.13	3/4	30	1.6	0.03	1.53
HCDC-3.00-H	3.000	1.75	1.500	2.50	1 1/2 - 12	1.25	3/4	30	1.9	0.03	1.78
HCDC-3.25-H	3.250	1.75	1.500	2.50	1 1/2 - 12	1.25	3/4	30	1.9	0.03	1.78
HCDC-3.50-H	3.500	2.00	1.750	2.75	1 3/4 - 12	1.38	3/4	30	2.1	0.03	2.03
HCDC-4.00-H	4.000	2.25	2.000	3.50	2 - 12	1.50	3/4	30	2.3	0.03	2.28
HCDC-5.00-H	5.000	2.75	2.500	5.06	2 1/2 - 12	2.56	7/8	48	2.9	0.06	2.81
HCDC-6.00-H	6.000	3.25	3.000	6.00	3 - 12	3.00	1	56	3.6	0.06	3.31
HCDC-7.00-H	7.000	3.75	3.500	7.68	3 1/2 - 4	4.13	1 1/4	60	4.1	0.06	3.81

# HCDC-H Series DCB Roller

Crowned/Spherical – Heavy Stud Type Concentric– Hex Socket Both Ends  
Full Complement Cylindrical Roller Bearings



## ADDITIONAL NOTES

\*For lubricated threads, use half the maximum clamping torque value shown.

FC DCRB: Full Complement Double Row Cylindrical Roller Bearings – Alloy Steel

FEATURING ∞ INFINITY ROLLER™ TECHNOLOGY

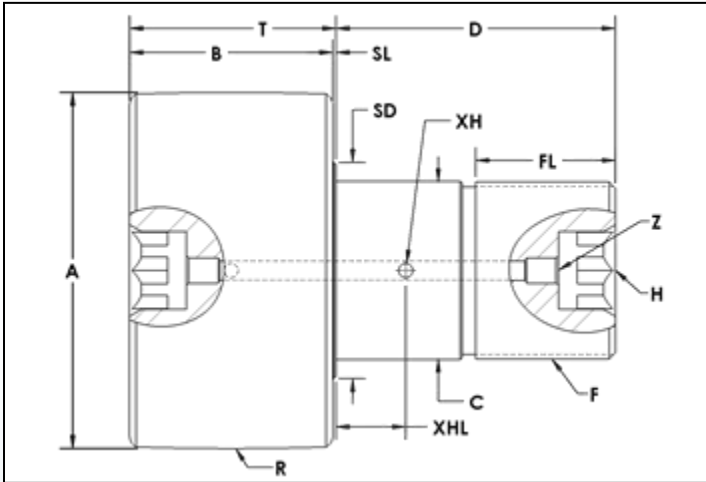
Jam Nut/Lock Washer sets are available at an additional cost.

Specifications subject to change without notice.

Stud Type DCB Roller Part Number	Basic Radial Dynamic Load Rating (lbs) C	Basic Radial Static Load Rating (lbs) Co	Stud Capacity (lbs)	Max. Clamping Torque (in-lbs)*	Seal Type	Bearing Type	Approx. Roller Weight (lbs)
HCDC-2.50-H	18,592	24,279	15,270	1,500	Rubber Lip	FC DCRB	2.54
HCDC-2.75-H	18,592	24,279	15,270	1,500	Rubber Lip	FC DCRB	2.97
HCDC-3.00-H	27,600	38,000	22,670	2,250	Rubber Lip	FC DCRB	4.22
HCDC-3.25-H	27,600	38,000	22,670	2,250	Rubber Lip	FC DCRB	4.82
HCDC-3.50-H	36,000	50,100	31,570	5,000	Rubber Lip	FC DCRB	6.49
HCDC-4.00-H	47,200	67,200	41,960	5,000	Rubber Lip	FC DCRB	9.88
HCDC-5.00-H	71,000	104,700	66,490	5,000	Rubber Lip	FC DCRB	20.15
HCDC-6.00-H	102,000	155,500	97,540	5,000	Rubber Lip	FC DCRB	34.43
HCDC-7.00-H	132,400	204,800	134,570	5,000	Rubber Lip	FC DCRB	55.65

# HCDC-R-H Series DCB Roller

Crowned/Spherical-Heavy Stud Type Concentric-Hex Socket Both Ends  
Full Complement Cylindrical Roller Bearings - Regreasable



FEATURING  
∞ INFINITY ROLLER™  
TECHNOLOGY

Stud Type DCB Roller Part Number	A Roller Dia. +.000 -.001	B Roller Width	C Stud Dia. +.000 -.001	D Stud Length	F Thread Size	FL Thread Length	H Hex Size	R Crown Radius	SD Shoulder Dia.	SL Shoulder Length	T Roller Width + Shoulder Length	XH Crosshole Dia	XHL Crosshole Location	Z Lube Size
HCDC-2.50-R-H	2.500	1.50	1.250	2.25	1 1/4 - 12	1.13	3/4	30	1.6	0.03	1.53	0.13	0.56	1/4-28 UNF†
HCDC-2.75-R-H	2.750	1.50	1.250	2.25	1 1/4 - 12	1.13	3/4	30	1.6	0.03	1.53	0.13	0.56	1/4-28 UNF†
HCDC-3.00-R-H	3.000	1.75	1.500	2.50	1 1/2 - 12	1.25	3/4	30	1.9	0.03	1.78	0.13	0.63	1/4 Drive
HCDC-3.25-R-H	3.250	1.75	1.500	2.50	1 1/2 - 12	1.25	3/4	30	1.9	0.03	1.78	0.13	0.63	1/4 Drive
HCDC-3.50-R-H	3.500	2.00	1.750	2.75	1 3/4 - 12	1.38	3/4	30	2.1	0.03	2.03	0.13	0.69	1/4 Drive
HCDC-4.00-R-H	4.000	2.25	2.000	3.50	2 - 12	1.50	3/4	30	2.3	0.03	2.28	0.13	0.75	1/4 Drive
HCDC-5.00-R-H	5.000	2.75	2.500	5.06	2 1/2 - 12	2.56	7/8	48	2.9	0.06	2.81	0.19	0.88	1/4-18 NPT
HCDC-6.00-R-H	6.000	3.25	3.000	6.00	3 - 12	3.00	1	56	3.6	0.06	3.31	0.19	1.00	1/4-18 NPT
HCDC-7.00-R-H	7.000	3.75	3.500	7.68	3 1/2 - 4	4.13	1 1/4	60	4.1	0.06	3.81	0.19	1.25	1/4-18 NPT

† Lubrication in threaded end and only. Grease fitting extends from end of stud.

# HCDC-R-H Series DCB Roller

Crowned/Spherical – Heavy Stud Type Concentric – Hex Socket Both Ends  
Full Complement Cylindrical Roller Bearings - Regreasable



## ADDITIONAL NOTES

\*For lubricated threads, use half the maximum clamping torque value shown.

FC DCRB: Full Complement Double Row Cylindrical Roller Bearings – Alloy Steel

FEATURING ∞ INFINITY ROLLER™ TECHNOLOGY

Jam Nut/Lock Washer sets are available at an additional cost.

Specifications subject to change without notice.

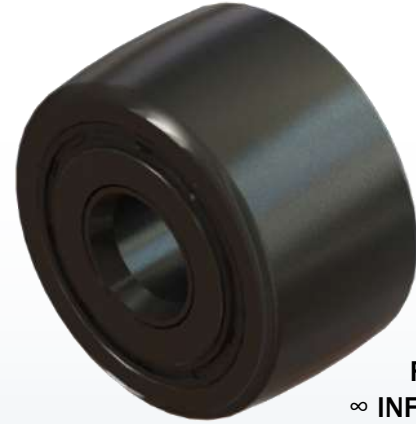
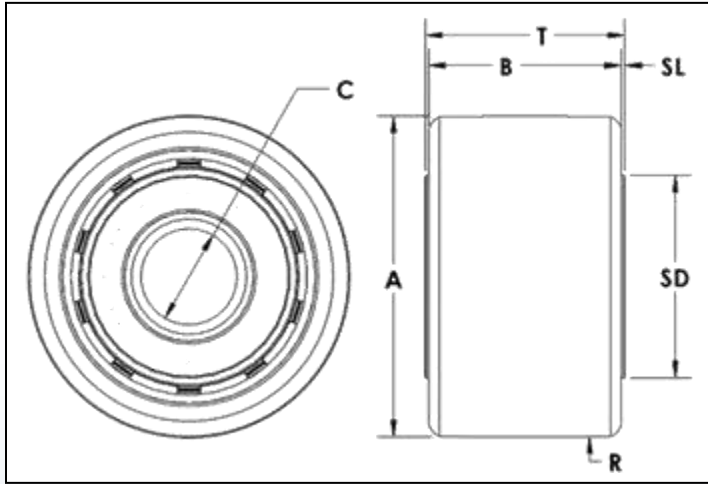
Stud Type DCB Roller Part Number	Basic Radial Dynamic Load Rating (lbs) C	Basic Radial Static Load Rating (lbs) Co	Stud Capacity (lbs)	Max. Clamping Torque (in-lbs)*	Seal Type	Bearing Type	Approx. Roller Weight (lbs)
HCDC-2.50-R-H	18,592	24,279	15,270	1,500	Rubber Lip	FC DCRB	2.54
HCDC-2.75-R-H	18,592	24,279	15,270	1,500	Rubber Lip	FC DCRB	2.97
HCDC-3.00-R-H	27,600	38,000	22,670	2,250	Rubber Lip	FC DCRB	4.22
HCDC-3.25-R-H	27,600	38,000	22,670	2,250	Rubber Lip	FC DCRB	4.82
HCDC-3.50-R-H	36,000	50,100	31,570	5,000	Rubber Lip	FC DCRB	6.49
HCDC-4.00-R-H	47,200	67,200	41,960	5,000	Rubber Lip	FC DCRB	9.88
HCDC-5.00-R-H	71,000	104,700	66,490	5,000	Rubber Lip	FC DCRB	20.15
HCDC-6.00-R-H	102,000	155,500	97,540	5,000	Rubber Lip	FC DCRB	34.43
HCDC-7.00-R-H	132,400	204,800	134,570	5,000	Rubber Lip	FC DCRB	55.65

# CDCY Series DCB Roller

Crowned/Spherical – Yoke Type  
Full Complement Cylindrical Roller Bearings



(989)358-6148  
www.pcimfg.com



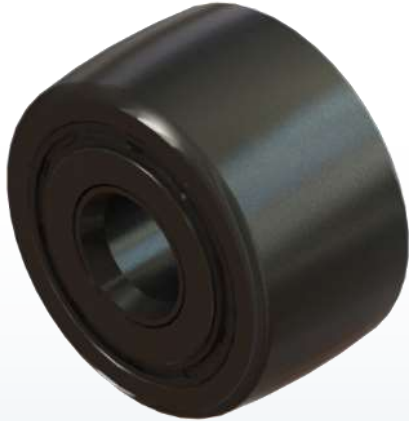
FEATURING  
∞ INFINITY ROLLER™  
TECHNOLOGY

Yoke Type DCB Roller Part Number	A	B	C	R	SD	SL	T
	Roller Dia. +0.000 -0.001	Roller Width	Bore Dia. +0.0007 -0.0000	Crown Radius	Shoulder Dia.	Shoulder Length	Inner Race Width +0.005 -0.010
CDCY-2.00	2.000	1.25	0.6250	24	1.2	0.03	1.313
CDCY-2.25	2.250	1.25	0.6250	24	1.2	0.03	1.313
CDCY-2.50	2.500	1.50	0.7500	30	1.6	0.03	1.563
CDCY-2.75	2.750	1.50	0.7500	30	1.6	0.03	1.563
CDCY-3.00	3.000	1.75	1.0000	30	1.9	0.03	1.813
CDCY-3.25	3.250	1.75	1.0000	30	1.9	0.03	1.813
CDCY-3.50	3.500	2.00	1.1250	30	2.1	0.03	2.063
CDCY-4.00	4.000	2.25	1.2500	30	2.3	0.03	2.313
CDCY-5.00	5.000	2.75	1.7500	48	2.9	0.06	2.875
CDCY-6.00	6.000	3.25	2.2500	56	3.6	0.06	3.375
CDCY-7.00	7.000	3.75	2.7500	60	4.1	0.06	3.875
CDCY-8.00	8.000	4.25	3.2550	40	4.7	0.13	4.500
CDCY-9.00	9.000	4.75	3.7550	40	5.3	0.13	5.000
CDCY-10.00	10.000	5.25	4.2550	40	5.9	0.13	5.500

Optional PCI Yoke Shaft	Optional PCI Eccentric Yoke Shaft
YSH-.625	YSHE-.625
YSH-.625	YSHE-.625
YSH-.750	YSHE-.750
YSH-.750	YSHE-.750
YSH-1.000	YSHE-1.000
YSH-1.000	YSHE-1.000
YSH-1.125	YSHE-1.125
YSH-1.250	YSHE-1.250
YSH-1.750	YSHE-1.750
YSH-2.250	YSHE-2.250
YSH-2.750	YSHE-2.750
YSH-3.250	-
YSH-3.750	-
YSH-4.250	-

# CDCY Series DCB Roller

Crowned/Spherical – Yoke Type  
Full Complement Cylindrical Roller Bearings



## ADDITIONAL NOTES

FC DCRB: Full Complement Double Row Cylindrical Roller Bearings – Alloy Steel

FEATURING ∞ INFINITY ROLLER™ TECHNOLOGY

PCI Heavy Duty Yoke Shafts are available at an additional cost. See YSH page for details.

Specifications subject to change without notice.

Yoke Type DCB Roller Part Number	Basic Radial Dynamic Load Rating (lbs) C	Basic Radial Static Load Rating (lbs) Co	Seal Type	Bearing Type	Approx. Roller Weight (lbs)
CDCY-2.00	12,140	15,309	Rubber Lip	FC DCRB	0.83
CDCY-2.25	12,140	15,309	Rubber Lip	FC DCRB	1.11
CDCY-2.50	18,592	24,279	Rubber Lip	FC DCRB	1.61
CDCY-2.75	18,592	24,279	Rubber Lip	FC DCRB	2.04
CDCY-3.00	27,600	38,000	Rubber Lip	FC DCRB	2.68
CDCY-3.25	27,600	38,000	Rubber Lip	FC DCRB	3.28
CDCY-3.50	36,000	50,100	Rubber Lip	FC DCRB	4.15
CDCY-4.00	47,200	67,200	Rubber Lip	FC DCRB	6.11
CDCY-5.00	71,000	104,700	Rubber Lip	FC DCRB	11.44
CDCY-6.00	102,000	155,500	Rubber Lip	FC DCRB	19.38
CDCY-7.00	132,400	204,800	Rubber Lip	FC DCRB	29.66
CDCY-8.00	169,200	267,500	Rubber Lip	FC DCRB	42.93
CDCY-9.00	210,600	337,200	Rubber Lip	FC DCRB	59.70
CDCY-10.00	260,700	424,800	Rubber Lip	FC DCRB	80.67

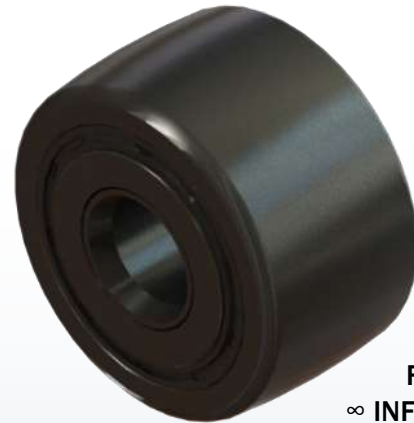
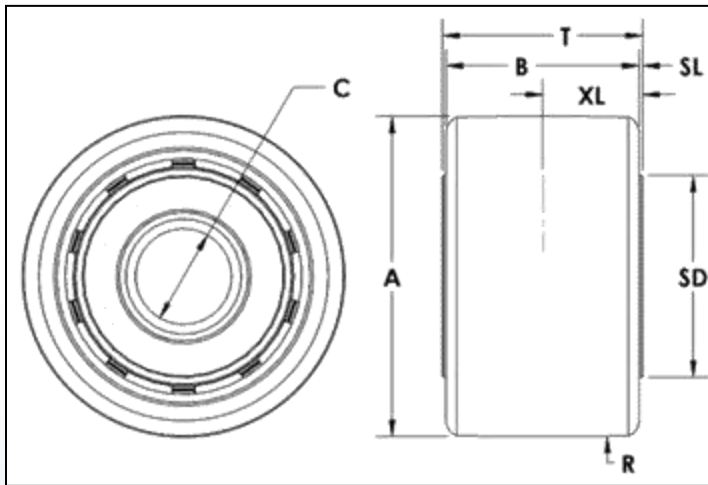
# CDCY-R Series DCB Roller

Crowned/Spherical – Yoke Type

Full Complement Cylindrical Roller Bearings - Regreasable



(989)358-6148  
www.pcimfg.com



FEATURING  
∞ INFINITY ROLLER™  
TECHNOLOGY

Yoke Type DCB Roller Part Number	A	B	C	R	SD	SL	T	XL
	Roller Dia. +.000 -.001	Roller Width	Bore Dia. +.0007 -.0000	Crown Radius	Shoulder Dia.	Shoulder Length	Inner Race Width +.005 -.010	Grease Groove Location
CDCY-2.00-R	2.000	1.25	0.6250	24	1.2	0.03	1.313	0.66
CDCY-2.25-R	2.250	1.25	0.6250	24	1.2	0.03	1.313	0.66
CDCY-2.50-R	2.500	1.50	0.7500	30	1.6	0.03	1.563	0.78
CDCY-2.75-R	2.750	1.50	0.7500	30	1.6	0.03	1.563	0.78
CDCY-3.00-R	3.000	1.75	1.0000	30	1.9	0.03	1.813	0.91
CDCY-3.25-R	3.250	1.75	1.0000	30	1.9	0.03	1.813	0.91
CDCY-3.50-R	3.500	2.00	1.1250	30	2.1	0.03	2.063	1.03
CDCY-4.00-R	4.000	2.25	1.2500	30	2.3	0.03	2.313	1.16
CDCY-5.00-R	5.000	2.75	1.7500	48	2.9	0.06	2.875	1.44
CDCY-6.00-R	6.000	3.25	2.2500	56	3.6	0.06	3.375	1.69
CDCY-7.00-R	7.000	3.75	2.7500	60	4.1	0.06	3.875	1.94
CDCY-8.00-R	8.000	4.25	3.2550	40	4.7	0.13	4.500	2.25
CDCY-9.00-R	9.000	4.75	3.7550	40	5.3	0.13	5.000	2.50
CDCY-10.00-R	10.000	5.25	4.2550	40	5.9	0.13	5.500	2.75

Optional PCI Yoke Shaft	Optional PCI Eccentric Yoke Shaft
YSH-.625-R	YSHE-.625-R
YSH-.625-R	YSHE-.625-R
YSH-.750-R	YSHE-.750-R
YSH-.750-R	YSHE-.750-R
YSH-1.000-R	YSHE-1.000-R
YSH-1.000-R	YSHE-1.000-R
YSH-1.125-R	YSHE-1.125-R
YSH-1.250-R	YSHE-1.250-R
YSH-1.750-R	YSHE-1.750-R
YSH-2.250-R	YSHE-2.250-R
YSH-2.750-R	YSHE-2.750-R
YSH-3.250-R	-
YSH-3.750-R	-
YSH-4.250-R	-

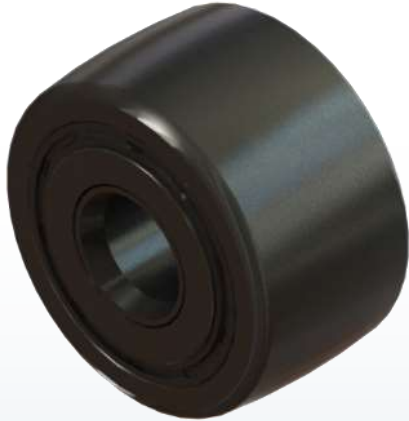
# CDCY-R Series DCB Roller

Crowned/Spherical – Yoke Type

Full Complement Cylindrical Roller Bearings - Regreasable



(989)358-6148  
www.pcimfg.com



## ADDITIONAL NOTES

FC DCRB: Full Complement Double Row Cylindrical Roller Bearings – Alloy Steel

FEATURING ∞ INFINITY ROLLER™ TECHNOLOGY

PCI Heavy Duty Yoke Shafts are available at an additional cost. See YSH page for details.

Specifications subject to change without notice.

Yoke Type DCB Roller Part Number	Basic Radial Dynamic Load Rating (lbs) C	Basic Radial Static Load Rating (lbs) Co	Seal Type	Bearing Type	Approx. Roller Weight (lbs)
CDCY-2.00-R	12,140	15,309	Rubber Lip	FC DCRB	0.83
CDCY-2.25-R	12,140	15,309	Rubber Lip	FC DCRB	1.11
CDCY-2.50-R	18,592	24,279	Rubber Lip	FC DCRB	1.61
CDCY-2.75-R	18,592	24,279	Rubber Lip	FC DCRB	2.04
CDCY-3.00-R	27,600	38,000	Rubber Lip	FC DCRB	2.68
CDCY-3.25-R	27,600	38,000	Rubber Lip	FC DCRB	3.28
CDCY-3.50-R	36,000	50,100	Rubber Lip	FC DCRB	4.15
CDCY-4.00-R	47,200	67,200	Rubber Lip	FC DCRB	6.11
CDCY-5.00-R	71,000	104,700	Rubber Lip	FC DCRB	11.44
CDCY-6.00-R	102,000	155,500	Rubber Lip	FC DCRB	19.38
CDCY-7.00-R	132,400	204,800	Rubber Lip	FC DCRB	29.66
CDCY-8.00-R	169,200	267,500	Rubber Lip	FC DCRB	42.93
CDCY-9.00-R	210,600	337,200	Rubber Lip	FC DCRB	59.70
CDCY-10.00-R	260,700	424,800	Rubber Lip	FC DCRB	80.67



# LOAD BEARING ROLLER ASSEMBLIES

## ∞ INFINITY ROLLER™ TECHNOLOGY

# “XR” ROLLERS

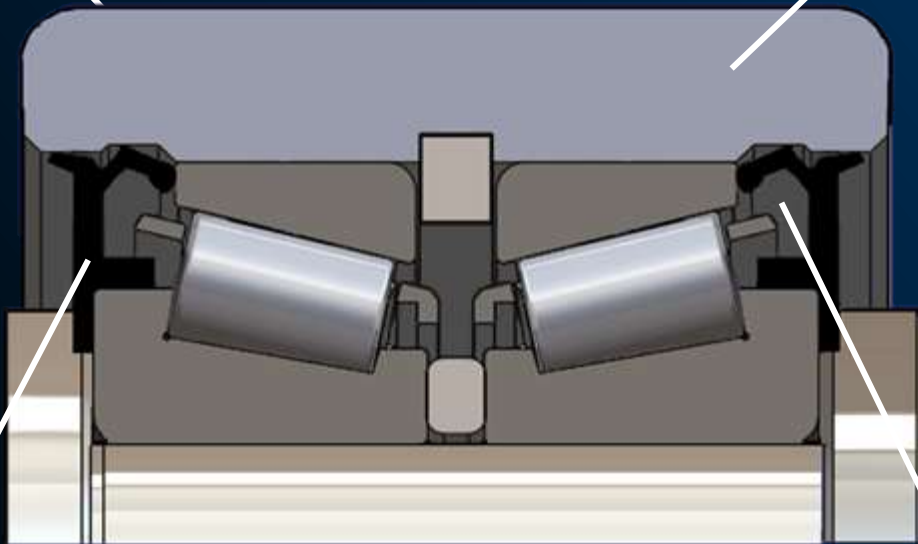
## Track Roller Benefits, Cam Follower Sizing

### CAM FOLLOWER EQUIVALENT

Drop-in dimensional replacement for needle bearing Cam Followers

### CASE HARDENED ROLLER BODY

Maintains the integrity of the assembly by preventing pre-mature fracture under shock loads



### RUBBER LIP SEALS

Maximize protection of the bearing elements from external contamination

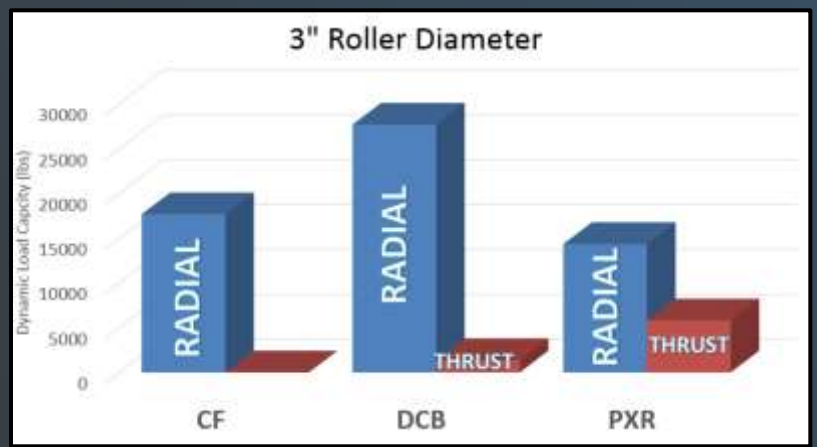
### PREMIUM SYNTHETIC LUBRICANT

High performance grease resistant to break down to minimize downtime

### MATCHED SET OF TAPERED ROLLER BEARINGS\*

Maximum thrust load paired with significant radial load in a precision bearing package

*\*Features dependent on size of unit.  
See specifications for details.*



# LOAD BEARING ROLLER ASSEMBLIES

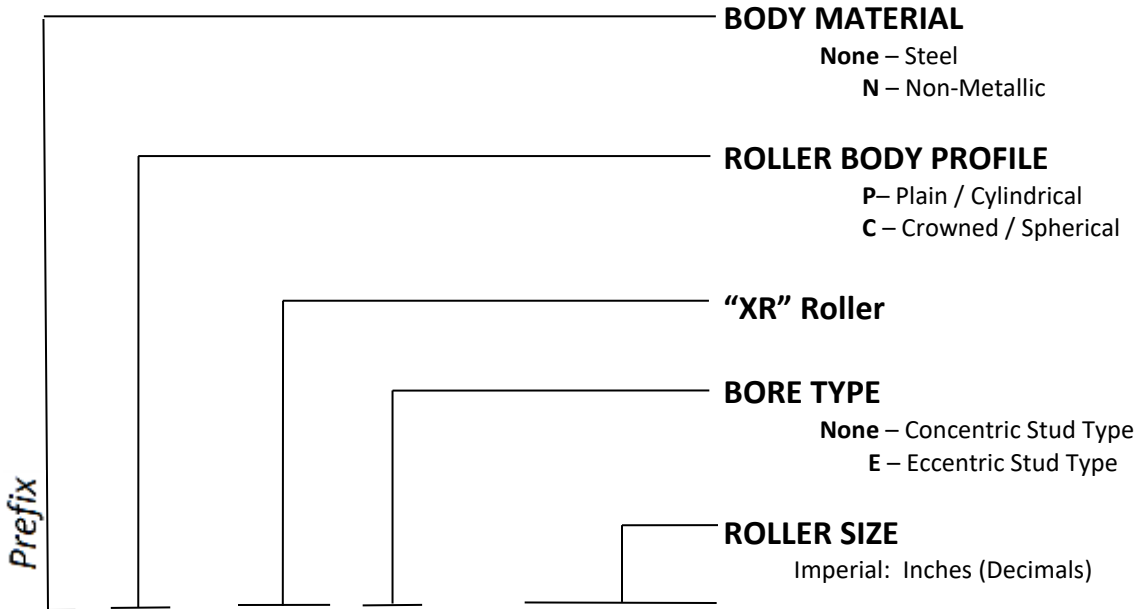
## “XR” Roller Assemblies

### Part Number Nomenclature



(989)358-6148

www.pcimfg.com



Plain, "XR" Roller, Eccentric, 2.50" Roller Diameter, High Temperature

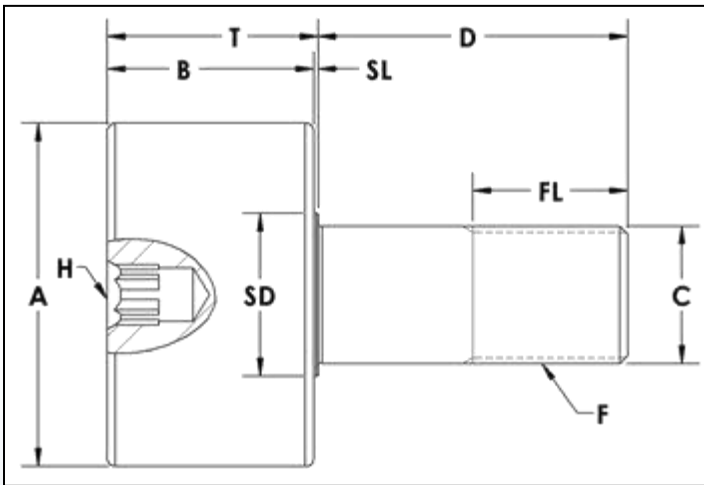
<b>CAPACITY</b>	_____	Suffix	Suffix	Suffix	Suffix	Suffix	Suffix	Suffix	Suffix
	None – Standard E – Extra Capacity A – Alternate								
<b>STEEL TYPE</b>	_____								
	None – Carbon Steel SS – 316 Stainless Steel SSP – “Plus” Stainless Steel								
<b>TEMPERATURE</b>	_____								
	None – Standard Temperature HT – High Temperature XHT – Extreme High Temperature								
<b>RELUBRICATION</b>	_____								
	None – Lube for Life R – Regreasable								
<b>HEX PROVISIONS</b>	_____								
	None – Hex in Roller End H – Hex in Both Ends								

# PXR Series Roller Assembly

Plain/Cylindrical – Stud Type Concentric  
Ball & Tapered Roller Bearings



(989)358-6148  
www.pcimfg.com



FEATURING  
∞ INFINITY ROLLER™  
TECHNOLOGY

Stud Type XR Roller Part Number	A Roller Dia. +0.000 -0.001	B Roller Width	C Stud Dia. +0.000 -0.001	D Stud Length	F Thread Size	FL Thread Length	H Hex Size	SD Shoulder Dia.	SL Shoulder Length	T Roller Width + Shoulder Length
PXR-1.50	1.500	0.88	0.625	1.50	5/8 - 18	0.75	5/16	0.8	0.03	0.91
PXR-1.75	1.750	1.00	0.750	1.75	3/4 - 16	0.88	5/16	0.9	0.03	1.03
PXR-2.00	2.000	1.25	0.875	2.00	7/8 - 14	1.00	5/16	1.0	0.03	1.28
PXR-2.25	2.250	1.25	0.875	2.00	7/8 - 14	1.00	5/16	1.0	0.03	1.28
PXR-2.50	2.500	1.50	1.000	2.25	1 - 14	1.13	3/8	1.2	0.03	1.53
PXR-2.50E	2.500	1.50	1.000	2.25	1 - 14	1.13	3/8	1.2	0.03	1.53
PXR-2.75	2.750	1.50	1.000	2.25	1 - 14	1.13	3/8	1.2	0.03	1.53
PXR-2.75E	2.750	1.50	1.000	2.25	1 - 14	1.13	3/8	1.2	0.03	1.53
PXR-3.00A	3.000	1.75	1.250	2.50	1 1/4 - 12	1.25	1/2	1.6	0.03	1.78
PXR-3.00	3.000	1.75	1.250	2.50	1 1/4 - 12	1.25	1/2	1.8	0.03	1.78
PXR-3.25A	3.250	1.75	1.250	2.50	1 1/4 - 12	1.25	1/2	1.6	0.03	1.78
PXR-3.25	3.250	1.75	1.250	2.50	1 1/4 - 12	1.25	1/2	1.8	0.03	1.78
PXR-3.50A	3.500	2.00	1.375	2.75	1 3/8 - 12	1.38	1/2	1.8	0.03	2.03
PXR-3.50	3.500	2.00	1.375	2.75	1 3/8 - 12	1.38	1/2	2.0	0.03	2.03
PXR-4.00A	4.000	2.25	1.500	3.50	1 1/2 - 12	1.50	1/2	1.8	0.03	2.28
PXR-4.00	4.000	2.25	1.500	3.50	1 1/2 - 12	1.50	1/2	2.0	0.03	2.28
PXR-5.00	5.000	2.75	2.000	5.06	2 - 12	2.56	5/8	2.9	0.06	2.81
PXR-6.00	6.000	3.25	2.500	6.00	2 1/2 - 12	3.00	5/8	3.3	0.06	3.31
PXR-7.00	7.000	3.75	3.000	7.69	3 - 12	4.13	5/8	4.1	0.06	3.81
PXR-8.00	8.000	4.25	3.250	8.50	3 1/4 - 4	4.25	5/8	4.7	0.06	4.31
PXR-9.00	9.000	4.75	3.750	9.50	3 1/2 - 4	4.75	5/8	5.3	0.06	4.81
PXR-10.00	10.000	5.25	4.250	10.00	3 1/2 - 4	4.75	5/8	6.5	0.13	5.50

# PXR Series Roller Assembly

Plain/Cylindrical – Stud Type Concentric  
Ball & Tapered Roller Bearings



## ADDITIONAL NOTES

\*For lubricated threads, use half the maximum clamping torque value shown.

DGBB: Deep Groove Ball Bearings – Alloy Steel  
TRB: Tapered Roller Bearings – Alloy Steel

FEATURING ∞ INFINITY ROLLER™ TECHNOLOGY

Jam Nut & Lock Washer sets are available at an additional cost.

Specifications subject to change without notice.

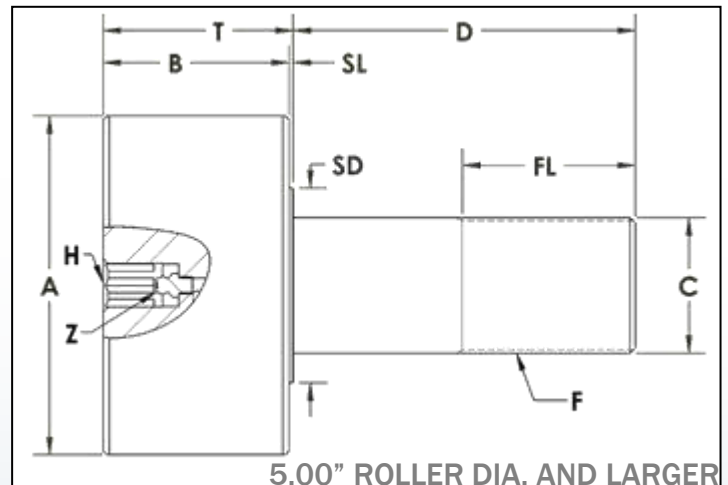
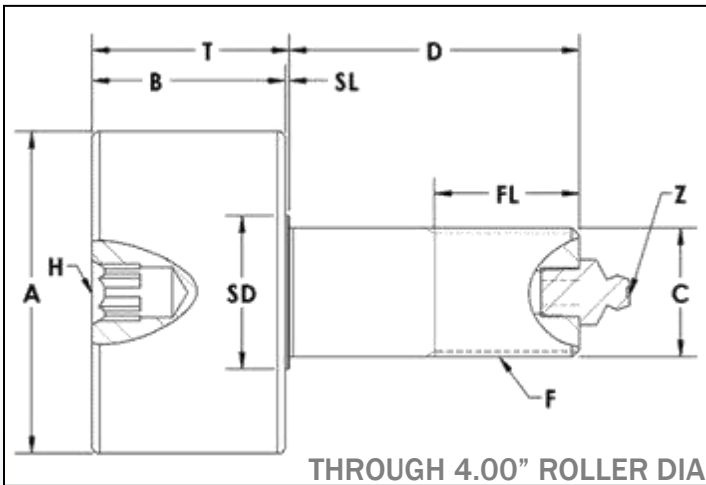
Stud Type XR Roller Part Number	Basic Radial Dynamic Load Rating (lbs) C	Basic Radial Static Load Rating (lbs) Co	Thrust Dynamic Load Rating (lbs)	Thrust Static Load Rating (lbs)	Stud Capacity (lbs)	Retaining Ring Capacity (lbs)	Max. Clamping Torque (in-lbs)*	Seal Type	Bearing Type	Approx. Roller Weight (lbs)
PXR-1.50	1,683	1,147	764	287	3,840	910	350	Rubber Lip	DGBB	0.45
PXR-1.75	1,683	1,147	764	287	4,430	910	650	Rubber Lip	DGBB	0.75
PXR-2.00	3,624	2,248	1,591	562	5,690	1,340	650	Rubber Lip	DGBB	1.23
PXR-2.25	3,624	2,248	1,591	562	5,690	1,340	650	Rubber Lip	DGBB	1.50
PXR-2.50	5,390	3,507	2,407	877	9,270	1,340	1,500	Rubber Lip	DGBB	2.17
PXR-2.50E	10,880	7,630	4,010	4,570	9,270	-	1,200	Rubber Dual Lip	TRB	2.24
PXR-2.75	5,390	3,507	2,407	877	9,270	1,340	1,500	Rubber Lip	DGBB	2.60
PXR-2.75E	10,880	7,630	4,010	4,570	9,270	-	1,200	Rubber Dual Lip	TRB	2.67
PXR-3.00A	6,118	4,586	2,884	1,147	15,710	1,950	2,250	Rubber Lip	DGBB	3.56
PXR-3.00	14,300	20,000	5,790	12,000	15,710	-	2,250	Rubber Dual Lip	TRB	3.81
PXR-3.25A	6,118	4,586	2,884	1,147	15,710	1,950	2,250	Rubber Lip	DGBB	4.17
PXR-3.25	14,300	20,000	5,790	12,000	15,710	-	2,250	Rubber Dual Lip	TRB	4.41
PXR-3.50A	6,483	5,216	3,145	1,304	18,140	3,000	4,200	Rubber Lip	DGBB	5.47
PXR-3.50	17,600	27,200	5,750	13,100	18,140	-	5,000	Rubber Dual Lip	TRB	5.93
PXR-4.00A	6,483	5,216	3,145	1,304	21,200	3,000	5,000	Rubber Lip	DGBB	8.25
PXR-4.00	17,600	27,200	5,750	13,100	21,200	-	5,000	Rubber Dual Lip	TRB	8.90
PXR-5.00	35,870	58,400	13,310	32,100	40,770	-	5,000	Rubber Dual Lip	TRB	18.12
PXR-6.00	35,830	56,200	14,150	32,900	67,600	-	5,000	Rubber Dual Lip	TRB	30.87
PXR-7.00	42,400	79,800	17,400	48,400	101,480	-	5,000	Rubber Lip	TRB	52.15
PXR-8.00	83,700	159,800	39,000	110,000	114,060	-	5,000	Rubber Lip	TRB	74.27
PXR-9.00	134,600	250,000	53,600	147,000	157,000	-	5,000	Rubber Lip	TRB	106.53
PXR-10.00	137,300	276,000	62,000	194,000	199,870	-	5,000	Rubber Lip	TRB	140.43

# PXR-R Series Roller Assembly

Plain/Cylindrical – Stud Type Concentric  
Ball & Tapered Roller Bearings - Regreasable



(989)358-6148  
www.pcimfg.com



Stud Type XR Roller Part Number	A	B	C	D	F	FL	H	SD	SL	T	Z
	Roller Dia. +0.000 -0.001	Roller Width	Stud Dia. +0.000 -0.001	Stud Length	Thread Size	Thread Length	Hex Size	Shoulder Dia.	Shoulder Length	Roller Width + Shoulder Length	Lube Size
PXR-1.75-R	1.750	1.00	0.750	1.75	3/4 - 16	0.88	5/16	0.9	0.03	1.03	1/8-27 NPT
PXR-2.00-R	2.000	1.25	0.875	2.00	7/8 - 14	1.00	5/16	1.0	0.03	1.28	1/8-27 NPT
PXR-2.25-R	2.250	1.25	0.875	2.00	7/8 - 14	1.00	5/16	1.0	0.03	1.28	1/8-27 NPT
PXR-2.50-R	2.500	1.50	1.000	2.25	1 - 14	1.13	3/8	1.2	0.03	1.53	1/8-27 NPT
PXR-2.50E-R	2.500	1.50	1.000	2.25	1 - 14	1.13	3/8	1.2	0.03	1.53	1/8-27 NPT
PXR-2.75-R	2.750	1.50	1.000	2.25	1 - 14	1.13	3/8	1.2	0.03	1.53	1/8-27 NPT
PXR-2.75E-R	2.750	1.50	1.000	2.25	1 - 14	1.13	3/8	1.2	0.03	1.53	1/8-27 NPT
PXR-3.00A-R	3.000	1.75	1.250	2.50	1 1/4 - 12	1.25	1/2	1.6	0.03	1.78	1/8-27 NPT
PXR-3.00-R	3.000	1.75	1.250	2.50	1 1/4 - 12	1.25	1/2	1.8	0.03	1.78	1/8-27 NPT
PXR-3.25A-R	3.250	1.75	1.250	2.50	1 1/4 - 12	1.25	1/2	1.6	0.03	1.78	1/8-27 NPT
PXR-3.25-R	3.250	1.75	1.250	2.50	1 1/4 - 12	1.25	1/2	1.8	0.03	1.78	1/8-27 NPT
PXR-3.50A-R	3.500	2.00	1.375	2.75	1 3/8 - 12	1.38	1/2	1.8	0.03	2.03	1/8-27 NPT
PXR-3.50-R	3.500	2.00	1.375	2.75	1 3/8 - 12	1.38	1/2	2.0	0.03	2.03	1/8-27 NPT
PXR-4.00A-R	4.000	2.25	1.500	3.50	1 1/2 - 12	1.50	1/2	1.8	0.03	2.28	1/8-27 NPT
PXR-4.00-R	4.000	2.25	1.500	3.50	1 1/2 - 12	1.50	1/2	2.0	0.03	2.28	1/8-27 NPT
PXR-5.00-R	5.000	2.75	2.000	5.06	2 - 12	2.56	5/8	2.9	0.06	2.81	1/4-28 UNF
PXR-6.00-R	6.000	3.25	2.500	6.00	2 1/2 - 12	3.00	5/8	3.3	0.06	3.31	1/4-28 UNF
PXR-7.00-R	7.000	3.75	3.000	7.69	3 - 12	4.13	5/8	4.1	0.06	3.81	1/4-28 UNF
PXR-8.00-R	8.000	4.25	3.250	8.50	3 1/4 - 4	4.25	5/8	4.7	0.06	4.31	1/4-28 UNF
PXR-9.00-R	9.000	4.75	3.750	9.50	3 1/2 - 4	4.75	5/8	5.3	0.06	4.81	1/4-28 UNF
PXR-10.00-R	10.000	5.25	4.250	10.00	3 1/2 - 4	4.75	5/8	6.5	0.13	5.50	1/4-28 UNF

# PXR-R Series Roller Assembly

Plain/Cylindrical – Stud Type Concentric  
Ball & Tapered Roller Bearings - Regreasable



## ADDITIONAL NOTES

\*For lubricated threads, use half the maximum clamping torque value shown.

DGBB: Deep Groove Ball Bearings – Alloy Steel  
TRB: Tapered Roller Bearings – Alloy Steel

FEATURING ∞ INFINITY ROLLER™ TECHNOLOGY

Jam Nut & Lock Washer sets are available at an additional cost.

Specifications subject to change without notice.

Stud Type XR Roller Part Number	Basic Radial Dynamic Load Rating (lbs) C	Basic Radial Static Load Rating (lbs) Co	Thrust Dynamic Load Rating (lbs)	Thrust Static Load Rating (lbs)	Stud Capacity (lbs)	Retaining Ring Capacity (lbs)	Max. Clamping Torque (in-lbs)*	Seal Type	Bearing Type	Approx. Roller Weight (lbs)
PXR-1.75-R	1,683	1,147	764	287	4,430	910	650	Rubber Lip	DGBB	0.75
PXR-2.00-R	3,624	2,248	1,591	562	5,690	1,340	650	Rubber Lip	DGBB	1.23
PXR-2.25-R	3,624	2,248	1,591	562	5,690	1,340	650	Rubber Lip	DGBB	1.50
PXR-2.50-R	5,390	3,507	2,407	877	9,270	1,340	1,500	Rubber Lip	DGBB	2.17
PXR-2.50E-R	10,880	7,630	4,010	4,570	9,270	-	1,200	Rubber Dual Lip	TRB	2.24
PXR-2.75-R	5,390	3,507	2,407	877	9,270	1,340	1,500	Rubber Lip	DGBB	2.60
PXR-2.75E-R	10,880	7,630	4,010	4,570	9,270	-	1,200	Rubber Dual Lip	TRB	2.67
PXR-3.00A-R	6,118	4,586	2,884	1,147	15,710	1,950	2,250	Rubber Lip	DGBB	3.56
PXR-3.00-R	14,300	20,000	5,790	12,000	15,710	-	2,250	Rubber Dual Lip	TRB	3.75
PXR-3.25A-R	6,118	4,586	2,884	1,147	15,710	1,950	2,250	Rubber Lip	DGBB	4.14
PXR-3.25-R	14,300	20,000	5,790	12,000	15,710	-	2,250	Rubber Dual Lip	TRB	4.41
PXR-3.50A-R	6,483	5,216	3,145	1,304	18,140	3,000	4,200	Rubber Lip	DGBB	5.47
PXR-3.50-R	17,600	27,200	5,750	13,100	18,140	-	5,000	Rubber Dual Lip	TRB	5.93
PXR-4.00A-R	6,483	5,216	3,145	1,304	21,200	3,000	5,000	Rubber Lip	DGBB	8.25
PXR-4.00-R	17,600	27,200	5,750	13,100	21,200	-	5,000	Rubber Dual Lip	TRB	8.90
PXR-5.00-R	35,870	58,400	13,310	32,100	40,770	-	5,000	Rubber Dual Lip	TRB	18.12
PXR-6.00-R	35,830	56,200	14,150	32,900	67,600	-	5,000	Rubber Dual Lip	TRB	30.87
PXR-7.00-R	42,400	79,800	17,400	48,400	101,480	-	5,000	Rubber Lip	TRB	52.15
PXR-8.00-R	83,700	159,800	39,000	110,000	114,060	-	5,000	Rubber Lip	TRB	74.27
PXR-9.00-R	134,600	250,000	53,600	147,000	157,000	-	5,000	Rubber Lip	TRB	106.53
PXR-10.00-R	137,300	276,000	62,000	194,000	199,870	-	5,000	Rubber Lip	TRB	140.43

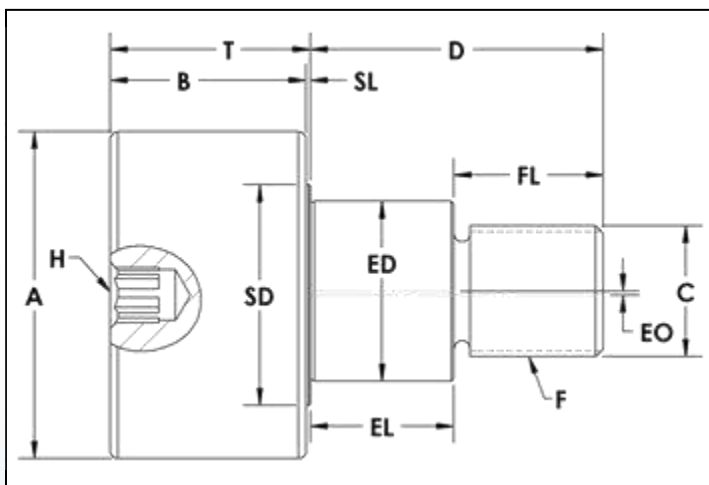
# PXRE Series Roller Assembly

Plain/Cylindrical – Stud Type Eccentric  
Ball & Tapered Roller Bearings



(989)358-6148

www.pcimfg.com



FEATURING  
∞ INFINITY ROLLER™  
TECHNOLOGY

Stud Type XR Roller Part Number	A Roller Dia. +.000 -.001	B Roller Width	C Stud Dia.	D Stud Length	ED Ecc Dia +.000 -.002	EL Ecc Length	EO Ecc Offset	F Thread Size	FL Thread Length	H Hex Size	SD Shoulder Dia.	SL Shoulder Length	T Roller Width + Shoulder Length
PXRE-1.50	1.500	0.88	0.625	1.50	0.875	0.75	0.03	5/8 - 18	0.75	5/16	1.0	0.03	0.91
PXRE-1.75	1.750	1.00	0.750	1.75	1.000	0.88	0.03	3/4 - 16	0.90	5/16	1.2	0.03	1.03
PXRE-2.00	2.000	1.25	0.875	2.00	1.187	1.00	0.03	7/8 - 14	1.00	5/16	1.5	0.03	1.28
PXRE-2.25	2.250	1.25	0.875	2.00	1.187	1.00	0.03	7/8 - 14	1.00	5/16	1.5	0.03	1.28
PXRE-2.50	2.500	1.50	1.000	2.25	1.375	1.12	0.03	1 - 14	1.13	3/8	1.9	0.03	1.53
PXRE-2.50E	2.500	1.50	1.000	2.25	1.375	1.12	0.03	1 - 14	1.13	3/8	1.9	0.03	1.53
PXRE-2.75	2.750	1.50	1.000	2.25	1.375	1.12	0.03	1 - 14	1.13	3/8	1.9	0.03	1.53
PXRE-2.75E	2.750	1.50	1.000	2.25	1.375	1.12	0.03	1 - 14	1.13	3/8	1.9	0.03	1.53
PXRE-3.00A	3.000	1.75	1.250	2.50	1.750	1.23	0.06	1 1/4 - 12	1.27	1/2	2.2	0.03	1.78
PXRE-3.00	3.000	1.75	1.250	2.50	1.750	1.23	0.06	1 1/4 - 12	1.27	1/2	2.2	0.03	1.78
PXRE-3.25A	3.250	1.75	1.250	2.50	1.750	1.23	0.06	1 1/4 - 12	1.27	1/2	2.2	0.03	1.78
PXRE-3.25	3.250	1.75	1.250	2.50	1.750	1.23	0.06	1 1/4 - 12	1.27	1/2	2.2	0.03	1.78
PXRE-3.50A	3.500	2.00	1.375	2.75	1.812	1.37	0.06	1 3/8 - 12	1.39	1/2	2.5	0.03	2.03
PXRE-3.50	3.500	2.00	1.375	2.75	1.812	1.37	0.06	1 3/8 - 12	1.39	1/2	2.5	0.03	2.03
PXRE-4.00A	4.000	2.25	1.500	3.50	2.000	2.00	0.06	1 1/2 - 12	1.50	1/2	2.5	0.03	2.28
PXRE-4.00	4.000	2.25	1.500	3.50	2.000	2.00	0.06	1 1/2 - 12	1.50	1/2	2.5	0.03	2.28

# PXRE Series Roller Assembly

Plain/Cylindrical – Stud Type Eccentric  
Ball & Tapered Roller Bearings



(989)358-6148  
www.pcimfg.com



## ADDITIONAL NOTES

\*For lubricated threads, use half the maximum clamping torque value shown.

DGBB: Deep Groove Ball Bearings – Alloy Steel  
TRB: Tapered Roller Bearings – Alloy Steel

FEATURING ∞ INFINITY ROLLER™ TECHNOLOGY

Jam Nut & Lock Washer sets are available at an additional cost.

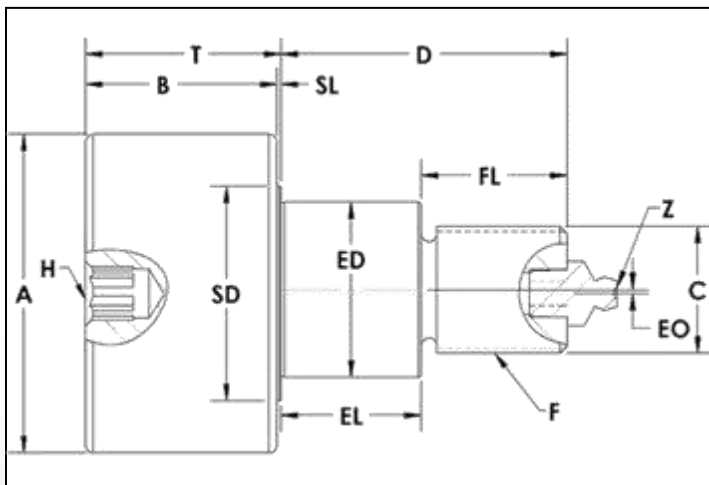
Specifications subject to change without notice.

Stud Type XR Roller Part Number	Basic Radial Dynamic Load Rating (lbs) C	Basic Radial Static Load Rating (lbs) Co	Thrust Dynamic Load Rating (lbs)	Thrust Static Load Rating (lbs)	Stud Capacity (lbs)	Retaining Ring Capacity (lbs)	Max. Clamping Torque (in-lbs)*	Seal Type	Bearing Type	Approx. Roller Weight (lbs)
PXRE-1.50	1,683	1,147	764	287	5,050	910	350	Rubber Lip	DGBB	0.53
PXRE-1.75	1,683	1,147	764	287	4,430	910	650	Rubber Lip	DGBB	0.84
PXRE-2.00	3,624	2,248	1,591	562	5,710	1,340	650	Rubber Lip	DGBB	1.46
PXRE-2.25	3,624	2,248	1,591	562	5,710	1,340	650	Rubber Lip	DGBB	1.78
PXRE-2.50	5,390	3,507	2,407	877	9,270	1,340	1,500	Rubber Lip	DGBB	2.43
PXRE-2.50E	10,880	7,630	4,010	4,570	9,360	-	1,200	Rubber Dual Lip	TRB	2.50
PXRE-2.75	5,390	3,507	2,407	877	9,270	1,340	1,500	Rubber Lip	DGBB	2.89
PXRE-2.75E	10,880	7,630	4,010	4,570	9,360	-	1,200	Rubber Dual Lip	TRB	2.95
PXRE-3.00A	6,118	4,586	2,884	1,147	21,750	1,950	2,250	Rubber Lip	DGBB	4.00
PXRE-3.00	14,300	20,000	5,790	12,000	15,710	-	2,250	Rubber Dual Lip	TRB	4.28
PXRE-3.25A	6,118	4,586	2,884	1,147	21,750	1,950	2,250	Rubber Lip	DGBB	4.36
PXRE-3.25	14,300	20,000	5,790	12,000	15,710	-	2,250	Rubber Dual Lip	TRB	4.47
PXRE-3.50A	6,483	5,216	3,145	1,304	28,350	3,000	4,200	Rubber Lip	DGBB	6.00
PXRE-3.50	17,600	27,200	5,750	13,100	18,340	-	5,000	Rubber Dual Lip	TRB	6.44
PXRE-4.00A	6,483	5,216	3,145	1,304	25,160	3,000	5,000	Rubber Lip	DGBB	9.11
PXRE-4.00	17,600	27,200	5,750	13,100	21,200	-	5,000	Rubber Dual Lip	TRB	9.64



# PXRE-R Series Roller Assembly

Plain/Cylindrical – Stud Type Eccentric  
Ball & Tapered Roller Bearings - Regreasable



FEATURING  
∞ INFINITY ROLLER™  
TECHNOLOGY

Stud Type XR Roller Part Number	A Roller Dia. +0.000 -0.001	B Roller Width	C Stud Dia.	D Stud Length	ED Ecc Dia +0.000 -0.002	EL Ecc Length	EO Ecc Offset	F Thread Size	FL Thread Length	H Hex Size	SD Shoulder Dia.	SL Shoulder Length	T Roller Width + Shoulder Length	Z Lube Size
PXRE-1.75-R	1.750	1.00	0.750	1.75	1.000	0.88	0.03	3/4 - 16	0.90	5/16	1.2	0.03	1.03	1/8-27 NPT
PXRE-2.00-R	2.000	1.25	0.875	2.00	1.187	1.00	0.03	7/8 - 14	1.00	5/16	1.5	0.03	1.28	1/8-27 NPT
PXRE-2.25-R	2.250	1.25	0.875	2.00	1.187	1.00	0.03	7/8 - 14	1.00	5/16	1.5	0.03	1.28	1/8-27 NPT
PXRE-2.50-R	2.500	1.50	1.000	2.25	1.375	1.12	0.03	1 - 14	1.13	3/8	1.9	0.03	1.53	1/8-27 NPT
PXRE-2.50E-R	2.500	1.50	1.000	2.25	1.375	1.12	0.03	1 - 14	1.13	3/8	1.9	0.03	1.53	1/8-27 NPT
PXRE-2.75-R	2.750	1.50	1.000	2.25	1.375	1.12	0.03	1 - 14	1.13	3/8	1.9	0.03	1.53	1/8-27 NPT
PXRE-2.75E-R	2.750	1.50	1.000	2.25	1.375	1.12	0.03	1 - 14	1.13	3/8	1.9	0.03	1.53	1/8-27 NPT
PXRE-3.00A-R	3.000	1.75	1.250	2.50	1.750	1.23	0.06	1 1/4 - 12	1.27	1/2	2.2	0.03	1.78	1/8-27 NPT
PXRE-3.00-R	3.000	1.75	1.250	2.50	1.750	1.23	0.06	1 1/4 - 12	1.27	1/2	2.2	0.03	1.78	1/8-27 NPT
PXRE-3.25A-R	3.250	1.75	1.250	2.50	1.750	1.23	0.06	1 1/4 - 12	1.27	1/2	2.2	0.03	1.78	1/8-27 NPT
PXRE-3.25-R	3.250	1.75	1.250	2.50	1.750	1.23	0.06	1 1/4 - 12	1.27	1/2	2.2	0.03	1.78	1/8-27 NPT
PXRE-3.50A-R	3.500	2.00	1.375	2.75	1.812	1.37	0.06	1 3/8 - 12	1.39	1/2	2.5	0.03	2.03	1/8-27 NPT
PXRE-3.50-R	3.500	2.00	1.375	2.75	1.812	1.37	0.06	1 3/8 - 12	1.39	1/2	2.5	0.03	2.03	1/8-27 NPT
PXRE-4.00A-R	4.000	2.25	1.500	3.50	2.000	2.00	0.06	1 1/2 - 12	1.50	1/2	2.5	0.03	2.28	1/8-27 NPT
PXRE-4.00-R	4.000	2.25	1.500	3.50	2.000	2.00	0.06	1 1/2 - 12	1.50	1/2	2.5	0.03	2.28	1/8-27 NPT

# PXRE-R Series Roller Assembly

Plain/Cylindrical – Stud Type Eccentric  
Ball & Tapered Roller Bearings - Regreasable



## ADDITIONAL NOTES

\*For lubricated threads, use half the maximum clamping torque value shown.

DGBB: Deep Groove Ball Bearings – Alloy Steel  
TRB: Tapered Roller Bearings – Alloy Steel

FEATURING ∞ INFINITY ROLLER™ TECHNOLOGY

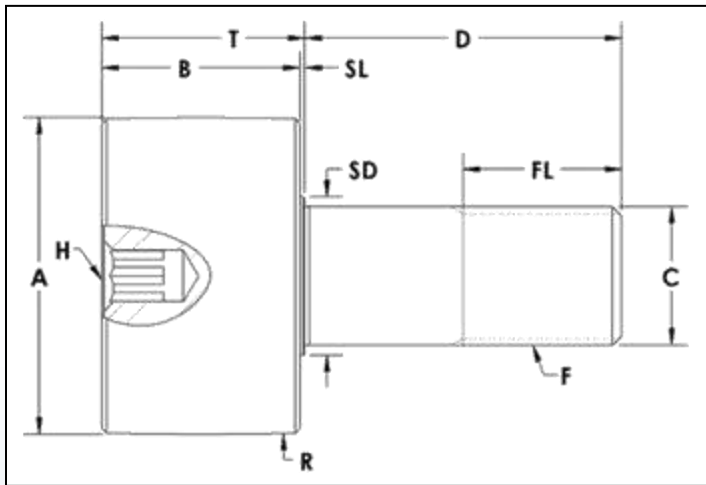
Jam Nut & Lock Washer sets are available at an additional cost.

Specifications subject to change without notice.

Stud Type XR Roller Part Number	Basic Radial Dynamic Load Rating (lbs) C	Basic Radial Static Load Rating (lbs) Co	Thrust Dynamic Load Rating (lbs)	Thrust Static Load Rating (lbs)	Stud Capacity (lbs)	Retaining Ring Capacity (lbs)	Max. Clamping Torque (in-lbs)*	Seal Type	Bearing Type	Approx. Roller Weight (lbs)
PXRE-1.75-R	1,683	1,147	764	287	4,430	910	650	Rubber Lip	DGBB	0.84
PXRE-2.00-R	3,624	2,248	1,591	562	5,710	1,340	650	Rubber Lip	DGBB	1.46
PXRE-2.25-R	3,624	2,248	1,591	562	5,710	1,340	650	Rubber Lip	DGBB	1.78
PXRE-2.50-R	5,390	3,507	2,407	877	9,270	1,340	1,500	Rubber Lip	DGBB	2.43
PXRE-2.50E-R	10,880	7,630	4,010	4,570	9,360	-	1,200	Rubber Dual Lip	TRB	2.50
PXRE-2.75-R	5,390	3,507	2,407	877	9,270	1,340	1,500	Rubber Lip	DGBB	2.88
PXRE-2.75E-R	10,880	7,630	4,010	4,570	9,360	-	1,200	Rubber Dual Lip	TRB	2.94
PXRE-3.00A-R	6,118	4,586	2,884	1,147	21,750	1,950	2,250	Rubber Lip	DGBB	4.00
PXRE-3.00-R	14,300	20,000	5,790	12,000	15,710	-	2,250	Rubber Dual Lip	TRB	4.22
PXRE-3.25A-R	6,118	4,586	2,884	1,147	27,150	1,950	2,250	Rubber Lip	DGBB	4.61
PXRE-3.25-R	14,300	20,000	5,790	12,000	15,710	-	2,250	Rubber Dual Lip	TRB	4.81
PXRE-3.50A-R	6,483	5,216	3,145	1,304	28,350	3,000	4,200	Rubber Lip	DGBB	5.97
PXRE-3.50-R	17,600	27,200	5,750	13,100	18,340	-	5,000	Rubber Dual Lip	TRB	6.41
PXRE-4.00A-R	6,483	5,216	3,145	1,304	25,160	3,000	5,000	Rubber Lip	DGBB	9.07
PXRE-4.00-R	17,600	27,200	5,750	13,100	21,200	-	5,000	Rubber Dual Lip	TRB	9.60

# CXR Series Roller Assembly

Crowned/Spherical- Stud Type Concentric  
Ball & Tapered Roller Bearings



FEATURING  
∞ INFINITY ROLLER™  
TECHNOLOGY

Stud Type XR Roller Part Number	A Roller Dia. +.000 -.001	B Roller Width	C Stud Dia. +.000 -.001	D Stud Length	F Thread Size	FL Thread Length	H Hex Size	R Crown Radius	SD Shoulder Dia.	SL Shoulder Length	T Roller Width + Shoulder Length
CXR-1.50	1.500	0.88	0.625	1.50	5/8 - 18	0.75	5/16	20	0.8	0.03	0.91
CXR-1.75	1.750	1.00	0.750	1.75	3/4 - 16	0.88	5/16	20	0.9	0.03	1.03
CXR-2.00	2.000	1.25	0.875	2.00	7/8 - 14	1.00	5/16	24	1.0	0.03	1.28
CXR-2.25	2.250	1.25	0.875	2.00	7/8 - 14	1.00	5/16	24	1.0	0.03	1.28
CXR-2.50	2.500	1.50	1.000	2.25	1 - 14	1.13	3/8	30	1.2	0.03	1.53
CXR-2.50E	2.500	1.50	1.000	2.25	1 - 14	1.13	3/8	30	1.2	0.03	1.53
CXR-2.75	2.750	1.50	1.000	2.25	1 - 14	1.13	3/8	30	1.2	0.03	1.53
CXR-2.75E	2.750	1.50	1.000	2.25	1 - 14	1.13	3/8	30	1.2	0.03	1.53
CXR-3.00A	3.000	1.75	1.250	2.50	1 1/4 - 12	1.25	1/2	30	1.6	0.03	1.78
CXR-3.00	3.000	1.75	1.250	2.50	1 1/4 - 12	1.25	1/2	30	1.8	0.03	1.78
CXR-3.25A	3.250	1.75	1.250	2.50	1 1/4 - 12	1.25	1/2	30	1.6	0.03	1.78
CXR-3.25	3.250	1.75	1.250	2.50	1 1/4 - 12	1.25	1/2	30	1.8	0.03	1.78
CXR-3.50A	3.500	2.00	1.375	2.75	1 3/8 - 12	1.38	1/2	30	1.8	0.03	2.03
CXR-3.50	3.500	2.00	1.375	2.75	1 3/8 - 12	1.38	1/2	30	2.0	0.03	2.03
CXR-4.00A	4.000	2.25	1.500	3.50	1 1/2 - 12	1.50	1/2	30	1.8	0.03	2.28
CXR-4.00	4.000	2.25	1.500	3.50	1 1/2 - 12	1.50	1/2	30	2.0	0.03	2.28
CXR-5.00	5.000	2.75	2.000	5.06	2 - 12	2.56	5/8	48	2.9	0.06	2.81
CXR-6.00	6.000	3.25	2.500	6.00	2 1/2 - 12	3.00	5/8	56	3.3	0.06	3.31
CXR-7.00	7.000	3.75	3.000	7.69	3 - 12	4.13	5/8	60	4.1	0.06	3.81
CXR-8.00	8.000	4.25	3.250	8.50	3 1/4 - 4	4.25	5/8	40	4.7	0.06	4.31
CXR-9.00	9.000	4.75	3.750	9.50	3 1/2 - 4	4.75	5/8	40	5.3	0.06	4.81
CXR-10.00	10.000	5.25	4.250	10.00	3 1/2 - 4	4.75	5/8	40	6.5	0.13	5.50

# CXR Series Roller Assembly

Crowned/Spherical – Stud Type Concentric  
Ball & Tapered Roller Bearings



## ADDITIONAL NOTES

\*For lubricated threads, use half the maximum clamping torque value shown.

DGBB: Deep Groove Ball Bearings – Alloy Steel  
TRB: Tapered Roller Bearings – Alloy Steel

FEATURING ∞ INFINITY ROLLER™ TECHNOLOGY

Jam Nut & Lock Washer sets are available at an additional cost.

Specifications subject to change without notice.

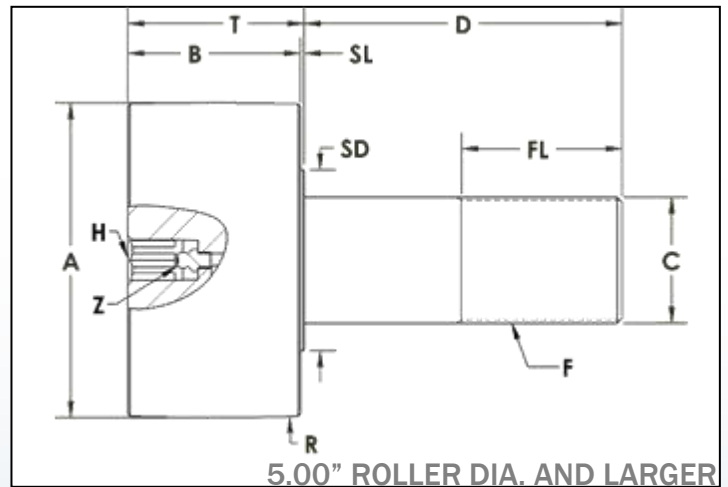
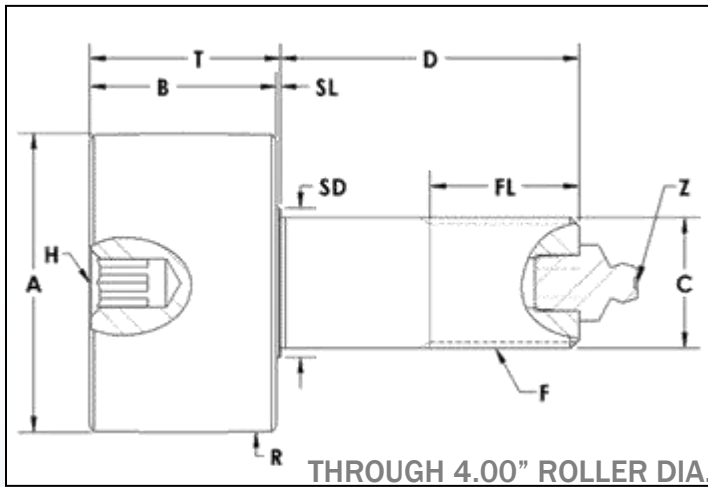
Stud Type XR Roller Part Number	Basic Radial Dynamic Load Rating (lbs) C	Basic Radial Static Load Rating (lbs) Co	Thrust Dynamic Load Rating (lbs)	Thrust Static Load Rating (lbs)	Stud Capacity (lbs)	Retaining Ring Capacity (lbs)	Max. Clamping Torque (in-lbs)*	Seal Type	Bearing Type	Approx. Roller Weight (lbs)
CXR-1.50	1,683	1,147	764	287	3,840	910	350	Rubber Lip	DGBB	0.43
CXR-1.75	1,683	1,147	764	287	4,430	910	650	Rubber Lip	DGBB	0.74
CXR-2.00	3,624	2,248	1,591	562	5,690	1,340	650	Rubber Lip	DGBB	1.23
CXR-2.25	3,624	2,248	1,591	562	5,690	1,340	650	Rubber Lip	DGBB	1.50
CXR-2.50	5,390	3,507	2,407	877	9,270	1,340	1,500	Rubber Lip	DGBB	2.04
CXR-2.50E	10,880	7,630	4,010	4,570	9,270	-	1,200	Rubber Dual Lip	TRB	2.18
CXR-2.75	5,390	3,507	2,407	877	9,270	1,340	1,500	Rubber Lip	DGBB	2.43
CXR-2.75E	10,880	7,630	4,010	4,570	9,270	-	1,200	Rubber Dual Lip	TRB	2.61
CXR-3.00A	6,118	4,586	2,884	1,147	15,710	1,950	2,250	Rubber Lip	DGBB	3.55
CXR-3.00	14,300	20,000	5,790	12,000	15,710	-	2,250	Rubber Dual Lip	TRB	3.80
CXR-3.25A	6,118	4,586	2,884	1,147	15,710	1,950	2,250	Rubber Lip	DGBB	4.29
CXR-3.25	14,300	20,000	5,790	12,000	15,710	-	2,250	Rubber Dual Lip	TRB	4.39
CXR-3.50A	6,483	5,216	3,145	1,304	18,140	3,000	4,200	Rubber Lip	DGBB	5.44
CXR-3.50	17,600	27,200	5,750	13,100	18,140	-	5,000	Rubber Dual Lip	TRB	5.90
CXR-4.00A	6,483	5,216	3,145	1,304	21,200	3,000	5,000	Rubber Lip	DGBB	8.20
CXR-4.00	17,600	27,200	5,750	13,100	21,200	-	5,000	Rubber Dual Lip	TRB	8.84
CXR-5.00	35,870	58,400	13,310	32,100	40,770	-	5,000	Rubber Dual Lip	TRB	18.05
CXR-6.00	35,830	56,200	14,150	32,900	67,600	-	5,000	Rubber Dual Lip	TRB	30.97
CXR-7.00	42,400	79,800	17,400	48,400	101,480	-	5,000	Rubber Lip	TRB	52.66
CXR-8.00	83,700	159,800	39,000	110,000	114,060	-	5,000	Rubber Lip	TRB	74.11
CXR-9.00	134,600	250,000	53,600	147,000	157,000	-	5,000	Rubber Lip	TRB	107.55
CXR-10.00	137,300	276,000	62,000	194,000	199,870	-	5,000	Rubber Lip	TRB	138.81

# CXR-R Series Roller Assembly

Crowned/Spherical – Stud Type Concentric  
Ball & Tapered Roller Bearings - Regreasable



(989)358-6148  
www.pcimfg.com



Stud Type XR Roller Part Number	A	B	C	D	F	FL	H	R	SD	SL	T	Z
	Roller Dia. +0.000 -0.001	Roller Width	Stud Dia. +0.000 -0.001	Stud Length	Thread Size	Thread Length	Hex Size	Crown Radius	Shoulder Dia.	Shoulder Length	Roller Width + Shoulder Length	Lube Size
CXR-1.75-R	1.750	1.00	0.750	1.75	3/4 - 16	0.88	5/16	20	0.9	0.03	1.03	1/8-27 NPT
CXR-2.00-R	2.000	1.25	0.875	2.00	7/8 - 14	1.00	5/16	24	1.0	0.03	1.28	1/8-27 NPT
CXR-2.25-R	2.250	1.25	0.875	2.00	7/8 - 14	1.00	5/16	24	1.0	0.03	1.28	1/8-27 NPT
CXR-2.50-R	2.500	1.50	1.000	2.25	1 - 14	1.13	3/8	30	1.2	0.03	1.53	1/8-27 NPT
CXR-2.50E-R	2.500	1.50	1.000	2.25	1 - 14	1.13	3/8	30	1.2	0.03	1.53	1/8-27 NPT
CXR-2.75-R	2.750	1.50	1.000	2.25	1 - 14	1.13	3/8	30	1.2	0.03	1.53	1/8-27 NPT
CXR-2.75E-R	2.750	1.50	1.000	2.25	1 - 14	1.13	3/8	30	1.2	0.03	1.53	1/8-27 NPT
CXR-3.00A-R	3.000	1.75	1.250	2.50	1 1/4 - 12	1.25	1/2	30	1.6	0.03	1.78	1/8-27 NPT
CXR-3.00-R	3.000	1.75	1.250	2.50	1 1/4 - 12	1.25	1/2	30	1.8	0.03	1.78	1/8-27 NPT
CXR-3.25A-R	3.250	1.75	1.250	2.50	1 1/4 - 12	1.25	1/2	30	1.6	0.03	1.78	1/8-27 NPT
CXR-3.25-R	3.250	1.75	1.250	2.50	1 1/4 - 12	1.25	1/2	30	1.8	0.03	1.78	1/8-27 NPT
CXR-3.50A-R	3.500	2.00	1.375	2.75	1 3/8 - 12	1.38	1/2	30	1.8	0.03	2.03	1/8-27 NPT
CXR-3.50-R	3.500	2.00	1.375	2.75	1 3/8 - 12	1.38	1/2	30	2.0	0.03	2.03	1/8-27 NPT
CXR-4.00A-R	4.000	2.25	1.500	3.50	1 1/2 - 12	1.50	1/2	30	1.8	0.03	2.28	1/8-27 NPT
CXR-4.00-R	4.000	2.25	1.500	3.50	1 1/2 - 12	1.50	1/2	30	2.0	0.03	2.28	1/8-27 NPT
CXR-5.00-R	5.000	2.75	2.000	5.06	2 - 12	2.56	5/8	48	2.9	0.06	2.81	1/4-28 UNF
CXR-6.00-R	6.000	3.25	2.500	6.00	2 1/2 - 12	3.00	5/8	56	3.3	0.06	3.31	1/4-28 UNF
CXR-7.00-R	7.000	3.75	3.000	7.69	3 - 12	4.13	5/8	60	4.1	0.06	3.81	1/4-28 UNF
CXR-8.00-R	8.000	4.25	3.250	8.50	3 1/4 - 4	4.25	5/8	40	4.7	0.06	4.31	1/4-28 UNF
CXR-9.00-R	9.000	4.75	3.750	9.50	3 1/2 - 4	4.75	5/8	40	5.3	0.06	4.81	1/4-28 UNF
CXR-10.00-R	10.000	5.25	4.250	10.00	3 1/2 - 4	4.75	5/8	40	6.5	0.13	5.50	1/4-28 UNF

# CXR-R Series Roller Assembly

Crowned/Spherical – Stud Type Concentric  
Ball & Tapered Roller Bearings - Regreasable



(989)358-6148  
www.pcimfg.com



## ADDITIONAL NOTES

\*For lubricated threads, use half the maximum clamping torque value shown.

DGBB: Deep Groove Ball Bearings – Alloy Steel  
TRB: Tapered Roller Bearings – Alloy Steel

FEATURING ∞ INFINITY ROLLER™ TECHNOLOGY

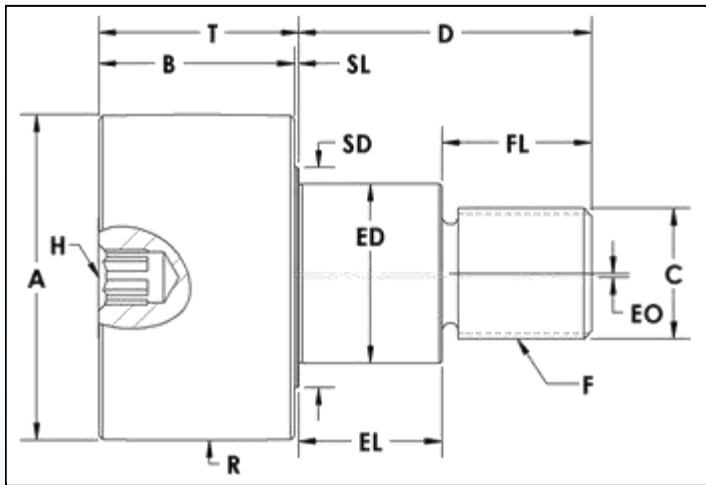
Jam Nut & Lock Washer sets are available at an additional cost.

Specifications subject to change without notice.

Stud Type XR Roller Part Number	Basic Radial Dynamic Load Rating (lbs) C	Basic Radial Static Load Rating (lbs) Co	Thrust Dynamic Load Rating (lbs)	Thrust Static Load Rating (lbs)	Stud Capacity (lbs)	Retaining Ring Capacity (lbs)	Max. Clamping Torque (in-lbs)*	Seal Type	Bearing Type	Approx. Roller Weight (lbs)
CXR-1.75-R	1,683	1,147	764	287	4,430	910	650	Rubber Lip	DGBB	0.74
CXR-2.00-R	3,624	2,248	1,591	562	5,690	1,340	650	Rubber Lip	DGBB	1.23
CXR-2.25-R	3,624	2,248	1,591	562	5,690	1,340	650	Rubber Lip	DGBB	1.50
CXR-2.50-R	5,390	3,507	2,407	877	9,270	1,340	1,500	Rubber Lip	DGBB	2.04
CXR-2.50E-R	10,880	7,630	4,010	4,570	9,270	-	1,200	Rubber Dual Lip	TRB	2.18
CXR-2.75-R	5,390	3,507	2,407	877	9,270	1,340	1,500	Rubber Lip	DGBB	2.43
CXR-2.75E-R	10,880	7,630	4,010	4,570	9,270	-	1,200	Rubber Dual Lip	TRB	2.61
CXR-3.00A-R	6,118	4,586	2,884	1,147	15,710	1,950	2,250	Rubber Lip	DGBB	3.52
CXR-3.00-R	14,300	20,000	5,790	12,000	15,710	-	2,250	Rubber Dual Lip	TRB	3.80
CXR-3.25A-R	6,118	4,586	2,884	1,147	15,710	1,950	2,250	Rubber Lip	DGBB	4.29
CXR-3.25-R	14,300	20,000	5,790	12,000	15,710	-	2,250	Rubber Dual Lip	TRB	4.39
CXR-3.50A-R	6,483	5,216	3,145	1,304	18,140	3,000	4,200	Rubber Lip	DGBB	5.40
CXR-3.50-R	17,600	27,200	5,750	13,100	18,140	-	5,000	Rubber Dual Lip	TRB	5.90
CXR-4.00A-R	6,483	5,216	3,145	1,304	21,200	3,000	5,000	Rubber Lip	DGBB	8.16
CXR-4.00-R	17,600	27,200	5,750	13,100	21,200	-	5,000	Rubber Dual Lip	TRB	8.84
CXR-5.00-R	35,870	58,400	13,310	32,100	40,770	-	5,000	Rubber Dual Lip	TRB	18.05
CXR-6.00-R	35,830	56,200	14,150	32,900	67,600	-	5,000	Rubber Dual Lip	TRB	30.97
CXR-7.00-R	42,400	79,800	17,400	48,400	101,480	-	5,000	Rubber Lip	TRB	52.66
CXR-8.00-R	83,700	159,800	39,000	110,000	114,060	-	5,000	Rubber Lip	TRB	74.11
CXR-9.00-R	134,600	250,000	53,600	147,000	157,000	-	5,000	Rubber Lip	TRB	107.55
CXR-10.00-R	137,300	276,000	62,000	194,000	199,870	-	5,000	Rubber Lip	TRB	138.81

# CXRE Series Roller Assembly

Crowned/Spherical – Stud Type Eccentric  
Ball & Tapered Roller Bearings



FEATURING  
∞ INFINITY ROLLER™  
TECHNOLOGY

Stud Type XR Roller Part Number	A Roller Dia. +0.000 -0.001	B Roller Width	C Stud Dia.	D Stud Length	ED Ecc Dia +0.000 -0.002	EL Ecc Length	EO Ecc Offset	F Thread Size	FL Thread Length	H Hex Size	R Crown Radius	SD Shoulder Dia.	SL Shoulder Length	T Roller Width + Shoulder Length
CXRE-1.50	1.500	0.88	0.625	1.50	0.875	0.75	0.03	5/8 - 18	0.75	5/16	20	1.0	0.03	0.91
CXRE-1.75	1.750	1.00	0.750	1.75	1.000	0.88	0.03	3/4 - 16	0.90	5/16	20	1.2	0.03	1.03
CXRE-2.00	2.000	1.25	0.875	2.00	1.187	1.00	0.03	7/8 - 14	1.00	5/16	24	1.5	0.03	1.28
CXRE-2.25	2.250	1.25	0.875	2.00	1.187	1.00	0.03	7/8 - 14	1.00	5/16	24	1.5	0.03	1.28
CXRE-2.50	2.500	1.50	1.000	2.25	1.375	1.12	0.03	1 - 14	1.13	3/8	30	1.9	0.03	1.53
CXRE-2.50E	2.500	1.50	1.000	2.25	1.375	1.12	0.03	1 - 14	1.13	3/8	30	1.9	0.03	1.53
CXRE-2.75	2.750	1.50	1.000	2.25	1.375	1.12	0.03	1 - 14	1.13	3/8	30	1.9	0.03	1.53
CXRE-2.75E	2.750	1.50	1.000	2.25	1.375	1.12	0.03	1 - 14	1.13	3/8	30	1.9	0.03	1.53
CXRE-3.00A	3.000	1.75	1.250	2.50	1.750	1.23	0.06	1 1/4 - 12	1.27	1/2	30	2.2	0.03	1.78
CXRE-3.00	3.000	1.75	1.250	2.50	1.750	1.23	0.06	1 1/4 - 12	1.27	1/2	30	2.2	0.03	1.78
CXRE-3.25A	3.250	1.75	1.250	2.50	1.750	1.23	0.06	1 1/4 - 12	1.27	1/2	30	2.2	0.03	1.78
CXRE-3.25	3.250	1.75	1.250	2.50	1.750	1.23	0.06	1 1/4 - 12	1.27	1/2	30	2.2	0.03	1.78
CXRE-3.50A	3.500	2.00	1.375	2.75	1.812	1.37	0.06	1 3/8 - 12	1.39	1/2	30	2.5	0.03	2.03
CXRE-3.50	3.500	2.00	1.375	2.75	1.812	1.37	0.06	1 3/8 - 12	1.39	1/2	30	2.5	0.03	2.03
CXRE-4.00A	4.000	2.25	1.500	3.50	2.000	2.00	0.06	1 1/2 - 12	1.50	1/2	30	2.5	0.03	2.28
CXRE-4.00	4.000	2.25	1.500	3.50	2.000	2.00	0.06	1 1/2 - 12	1.50	1/2	30	2.5	0.03	2.28

# CXRE Series Roller Assembly

Crowned/Spherical – Stud Type Eccentric  
Ball & Tapered Roller Bearings



(989)358-6148  
www.pcimfg.com



## ADDITIONAL NOTES

\*For lubricated threads, use half the maximum clamping torque value shown.

DGBB: Deep Groove Ball Bearings – Alloy Steel  
TRB: Tapered Roller Bearings – Alloy Steel

FEATURING ∞ INFINITY ROLLER™ TECHNOLOGY

Jam Nut & Lock Washer sets are available at an additional cost.

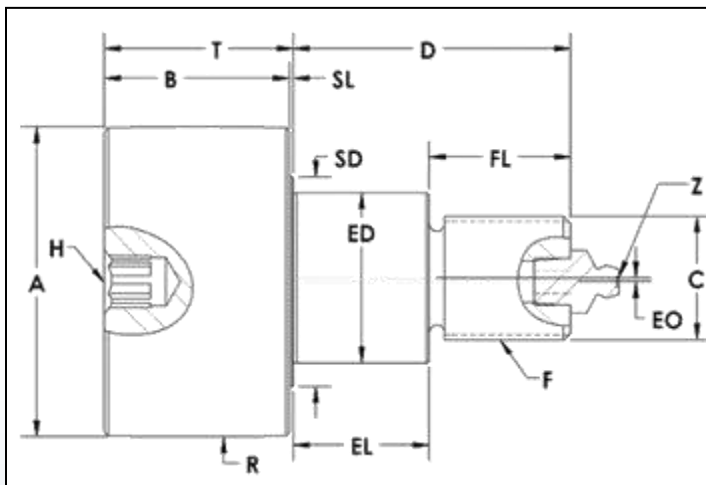
Specifications subject to change without notice.

Stud Type XR Roller Part Number	Basic Radial Dynamic Load Rating (lbs) C	Basic Radial Static Load Rating (lbs) Co	Thrust Dynamic Load Rating (lbs)	Thrust Static Load Rating (lbs)	Stud Capacity (lbs)	Retaining Ring Capacity (lbs)	Max. Clamping Torque (in-lbs)*	Seal Type	Bearing Type	Approx. Roller Weight (lbs)
CXRE-1.50	1,683	1,147	764	287	5,050	910	350	Rubber Lip	DGBB	0.51
CXRE-1.75	1,683	1,147	764	287	4,430	910	650	Rubber Lip	DGBB	0.88
CXRE-2.00	3,624	2,248	1,591	562	5,710	1,340	650	Rubber Lip	DGBB	1.46
CXRE-2.25	3,624	2,248	1,591	562	5,710	1,340	650	Rubber Lip	DGBB	1.78
CXRE-2.50	5,390	3,507	2,407	877	9,270	1,340	1,500	Rubber Lip	DGBB	2.30
CXRE-2.50E	10,880	7,630	4,010	4,570	9,360	-	1,200	Rubber Dual Lip	TRB	2.44
CXRE-2.75	5,390	3,507	2,407	877	9,270	1,340	1,500	Rubber Lip	DGBB	2.94
CXRE-2.75E	10,880	7,630	4,010	4,570	9,360	-	1,200	Rubber Dual Lip	TRB	2.94
CXRE-3.00A	6,118	4,586	2,884	1,147	21,750	1,950	2,250	Rubber Lip	DGBB	4.00
CXRE-3.00	14,300	20,000	5,790	12,000	15,710	-	2,250	Rubber Dual Lip	TRB	4.26
CXRE-3.25A	6,118	4,586	2,884	1,147	21,750	1,950	2,250	Rubber Lip	DGBB	4.35
CXRE-3.25	14,300	20,000	5,790	12,000	15,710	-	2,250	Rubber Dual Lip	TRB	4.45
CXRE-3.50A	6,483	5,216	3,145	1,304	28,350	3,000	4,200	Rubber Lip	DGBB	5.97
CXRE-3.50	17,600	27,200	5,750	13,100	18,340	-	5,000	Rubber Dual Lip	TRB	6.41
CXRE-4.00A	6,483	5,216	3,145	1,304	25,160	3,000	5,000	Rubber Lip	DGBB	9.06
CXRE-4.00	17,600	27,200	5,750	13,100	21,200	-	5,000	Rubber Dual Lip	TRB	9.75



# CXRE-R Series Roller Assembly

Crowned/Spherical – Stud Type Eccentric  
Ball & Tapered Roller Bearings - Regreasable



FEATURING  
∞ INFINITY ROLLER™  
TECHNOLOGY

Stud Type XR Roller Part Number	A	B	C	D	ED	EL	EO	F	FL	H	R	SD	SL	T	Z
	Roller Dia. +0.000 -0.001	Roller Width	Stud Dia.	Stud Length	Ecc Dia +0.000 -0.002	Ecc Length	Ecc Offset	Thread Size	Thread Length	Hex Size	Crown Radius	Shoulder Dia.	Shoulder Length	Roller Width + Shoulder Length	Lube Size
CXRE-1.75-R	1.750	1.00	0.750	1.75	1.000	0.88	0.03	3/4 - 16	0.90	5/16	20	1.2	0.03	1.03	1/8-27 NPT
CXRE-2.00-R	2.000	1.25	0.875	2.00	1.187	1.00	0.03	7/8 - 14	1.00	5/16	24	1.5	0.03	1.28	1/8-27 NPT
CXRE-2.25-R	2.250	1.25	0.875	2.00	1.187	1.00	0.03	7/8 - 14	1.00	5/16	24	1.5	0.03	1.28	1/8-27 NPT
CXRE-2.50-R	2.500	1.50	1.000	2.25	1.375	1.12	0.03	1 - 14	1.13	3/8	30	1.9	0.03	1.53	1/8-27 NPT
CXRE-2.50E-R	2.500	1.50	1.000	2.25	1.375	1.12	0.03	1 - 14	1.13	3/8	30	1.9	0.03	1.53	1/8-27 NPT
CXRE-2.75-R	2.750	1.50	1.000	2.25	1.375	1.12	0.03	1 - 14	1.13	3/8	30	1.9	0.03	1.53	1/8-27 NPT
CXRE-2.75E-R	2.750	1.50	1.000	2.25	1.375	1.12	0.03	1 - 14	1.13	3/8	30	1.9	0.03	1.53	1/8-27 NPT
CXRE-3.00A-R	3.000	1.75	1.250	2.50	1.750	1.23	0.06	1 1/4 - 12	1.27	1/2	30	2.2	0.03	1.78	1/8-27 NPT
CXRE-3.00-R	3.000	1.75	1.250	2.50	1.750	1.23	0.06	1 1/4 - 12	1.27	1/2	30	2.2	0.03	1.78	1/8-27 NPT
CXRE-3.25A-R	3.250	1.75	1.250	2.50	1.750	1.23	0.06	1 1/4 - 12	1.27	1/2	30	2.2	0.03	1.78	1/8-27 NPT
CXRE-3.25-R	3.250	1.75	1.250	2.50	1.750	1.23	0.06	1 1/4 - 12	1.27	1/2	30	2.2	0.03	1.78	1/8-27 NPT
CXRE-3.50A-R	3.500	2.00	1.375	2.75	1.812	1.37	0.06	1 3/8 - 12	1.39	1/2	30	2.5	0.03	2.03	1/8-27 NPT
CXRE-3.50-R	3.500	2.00	1.375	2.75	1.812	1.37	0.06	1 3/8 - 12	1.39	1/2	30	2.5	0.03	2.03	1/8-27 NPT
CXRE-4.00A-R	4.000	2.25	1.500	3.50	2.000	2.00	0.06	1 1/2 - 12	1.50	1/2	30	2.5	0.03	2.28	1/8-27 NPT
CXRE-4.00-R	4.000	2.25	1.500	3.50	2.000	2.00	0.06	1 1/2 - 12	1.50	1/2	30	2.5	0.03	2.28	1/8-27 NPT

# CXRE-R Series Roller Assembly

Crowned/Spherical – Stud Type Eccentric  
Ball & Tapered Roller Bearings - Regreasable



## ADDITIONAL NOTES

\*For lubricated threads, use half the maximum clamping torque value shown.

DGBB: Deep Groove Ball Bearings – Alloy Steel  
TRB: Tapered Roller Bearings – Alloy Steel

FEATURING ∞ INFINITY ROLLER™ TECHNOLOGY

Jam Nut & Lock Washer sets are available at an additional cost.

Specifications subject to change without notice.

Stud Type XR Roller Part Number	Basic Radial Dynamic Load Rating (lbs) C	Basic Radial Static Load Rating (lbs) Co	Thrust Dynamic Load Rating (lbs)	Thrust Static Load Rating (lbs)	Stud Capacity (lbs)	Retaining Ring Capacity (lbs)	Max. Clamping Torque (in-lbs)*	Seal Type	Bearing Type	Approx. Roller Weight (lbs)
CXRE-1.75-R	1,683	1,147	764	287	4,430	910	650	Rubber Lip	DGBB	0.88
CXRE-2.00-R	3,624	2,248	1,591	562	5,710	1,340	650	Rubber Lip	DGBB	1.46
CXRE-2.25-R	3,624	2,248	1,591	562	5,710	1,340	650	Rubber Lip	DGBB	1.78
CXRE-2.50-R	5,390	3,507	2,407	877	9,270	1,340	1,500	Rubber Lip	DGBB	2.30
CXRE-2.50E-R	10,880	7,630	4,010	4,570	9,360	-	1,200	Rubber Dual Lip	TRB	2.44
CXRE-2.75-R	5,390	3,507	2,407	877	9,270	1,340	1,500	Rubber Lip	DGBB	2.94
CXRE-2.75E-R	10,880	7,630	4,010	4,570	9,360	-	1,200	Rubber Dual Lip	TRB	2.94
CXRE-3.00A-R	6,118	4,586	2,884	1,147	21,750	1,950	2,250	Rubber Lip	DGBB	4.00
CXRE-3.00-R	14,300	20,000	5,790	12,000	15,710	-	2,250	Rubber Dual Lip	TRB	4.20
CXRE-3.25A-R	6,118	4,586	2,884	1,147	21,750	1,950	2,250	Rubber Lip	DGBB	4.35
CXRE-3.25-R	14,300	20,000	5,790	12,000	15,710	-	2,250	Rubber Dual Lip	TRB	4.45
CXRE-3.50A-R	6,483	5,216	3,145	1,304	28,350	3,000	4,200	Rubber Lip	DGBB	5.94
CXRE-3.50-R	17,600	27,200	5,750	13,100	18,340	-	5,000	Rubber Dual Lip	TRB	6.38
CXRE-4.00A-R	6,483	5,216	3,145	1,304	25,160	3,000	5,000	Rubber Lip	DGBB	9.02
CXRE-4.00-R	17,600	27,200	5,750	13,100	21,200	-	5,000	Rubber Dual Lip	TRB	9.71

# LOAD BEARING ROLLER ASSEMBLIES

∞ INFINITY ROLLER™ TECHNOLOGY

# TRACK ROLLERS

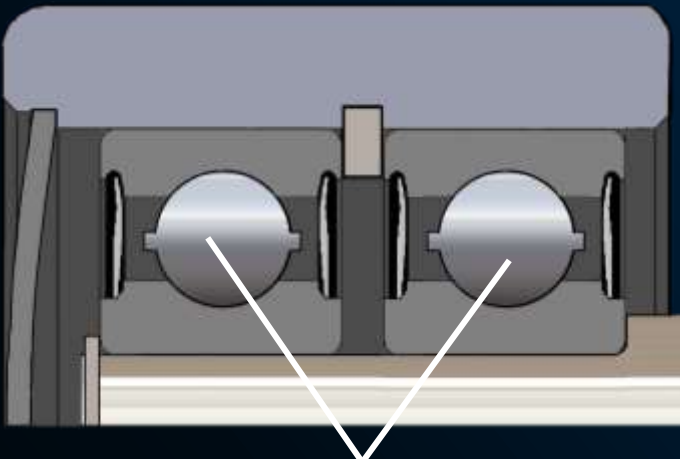
## Built To Last In Demanding Environments

### TIGHT FIT STAINLESS STEEL DUST COVER

Added protection against direct spray and contamination

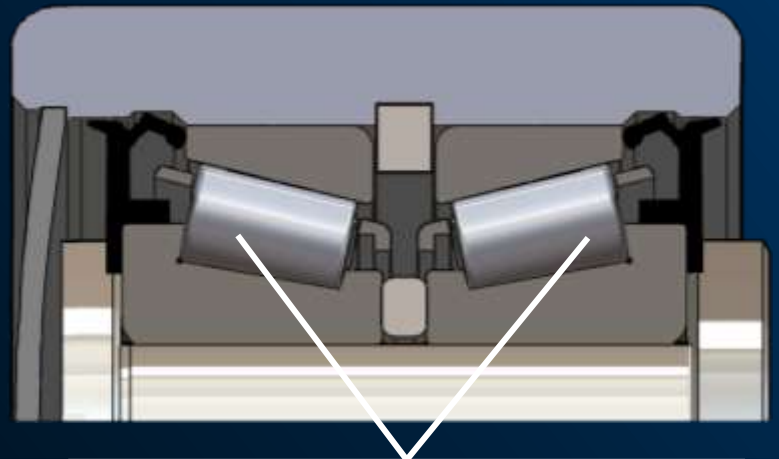
### CASE HARDENED ROLLER BODY

Maintains the integrity of the assembly by preventing pre-mature fracture under shock loads.



### PRECISION DEEP GROOVE BALL BEARINGS

Performance under high speeds and combination loads.



### MATCHED SET OF TAPERED ROLLER BEARINGS

Maximum thrust load paired with significant radial load capacity in a precision bearing package.

### RUBBER LIP SEALS

Maximizes protection of the bearing elements from external contamination.

### PREMIUM SYNTHETIC LUBRICANT

High performance grease resistant to break down to minimize downtime.

### STRESSPROOF® STUD / INNER RACE

High strength material provides dependable performance under load.

### BLACK OXIDE FINISH

PCI Track Rollers have a black oxide finish on all external surfaces.

# LOAD BEARING ROLLER ASSEMBLIES

## Track Roller Assemblies

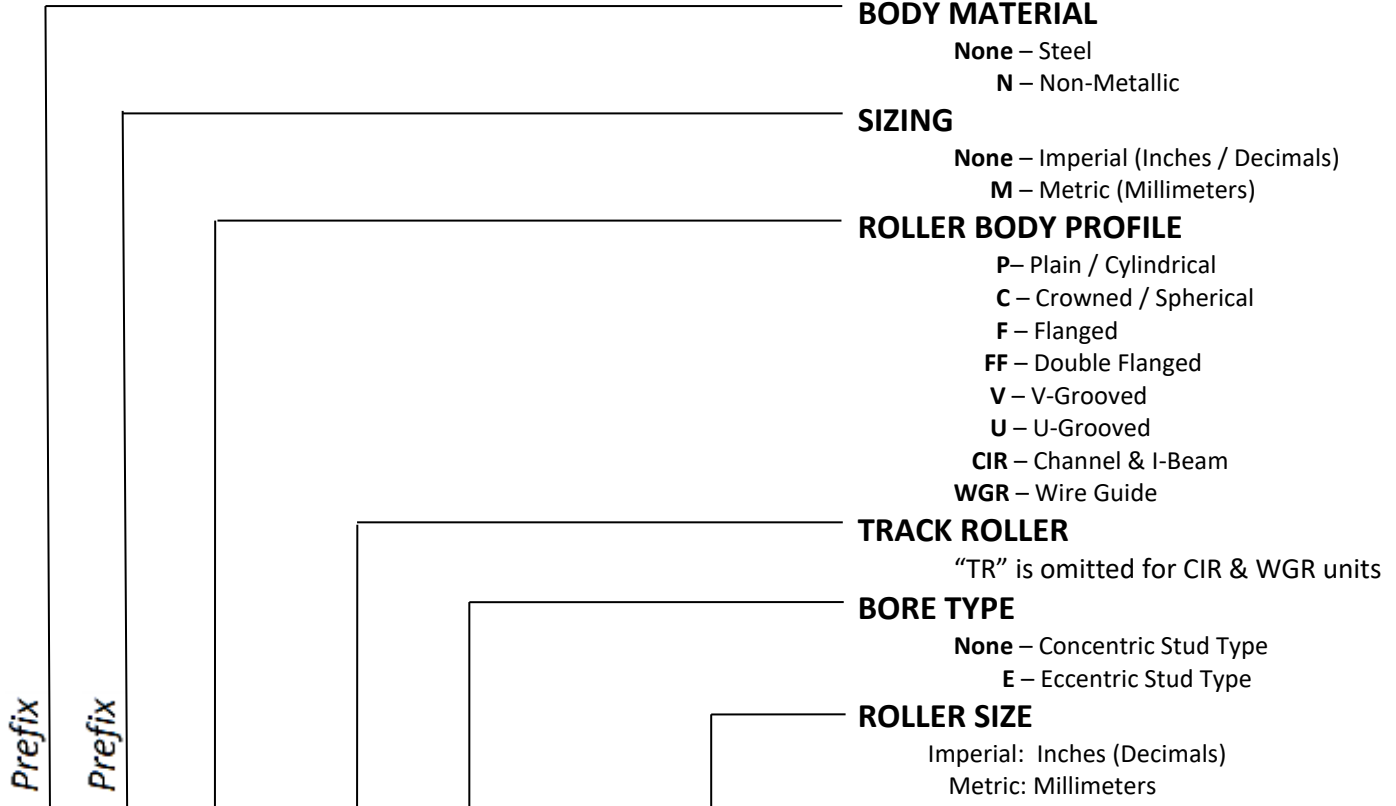
### Part Number Nomenclature



(989)358-6148

www.pcimfg.com

#### EXTREME DUTY SOLUTION



#### BODY MATERIAL

- None – Steel
- N – Non-Metallic

#### SIZING

- None – Imperial (Inches / Decimals)
- M – Metric (Millimeters)

#### ROLLER BODY PROFILE

- P – Plain / Cylindrical
- C – Crowned / Spherical
- F – Flanged
- FF – Double Flanged
- V – V-Grooved
- U – U-Grooved
- CIR – Channel & I-Beam
- WGR – Wire Guide

#### TRACK ROLLER

“TR” is omitted for CIR & WGR units

#### BORE TYPE

- None – Concentric Stud Type
- E – Eccentric Stud Type

#### ROLLER SIZE

- Imperial: Inches (Decimals)
- Metric: Millimeters

\_ \_ F TR E - 2.50 E - \_ - \_ - R - \_

*Flanged, Track Roller, Eccentric, 2.50" Roller Diameter, Extra Capacity, Regreasable*

#### CAPACITY

- None – Standard
- E – Extra Capacity
- A – Alternate

Suffix | Suffix | Suffix | Suffix | Suffix

#### STEEL TYPE

- None – Carbon Steel
- SS – 316 Stainless Steel
- SSP – “Plus” Stainless Steel

**EXTREME DUTY SOLUTION**

#### TEMPERATURE

- None – Standard Temperature
- HT – High Temperature
- XHT – Extreme High Temperature

**EXTREME DUTY SOLUTION**

#### RELUBRICATION

- None – Lube for Life
- R – Regreasable

#### VALUE PACKAGE

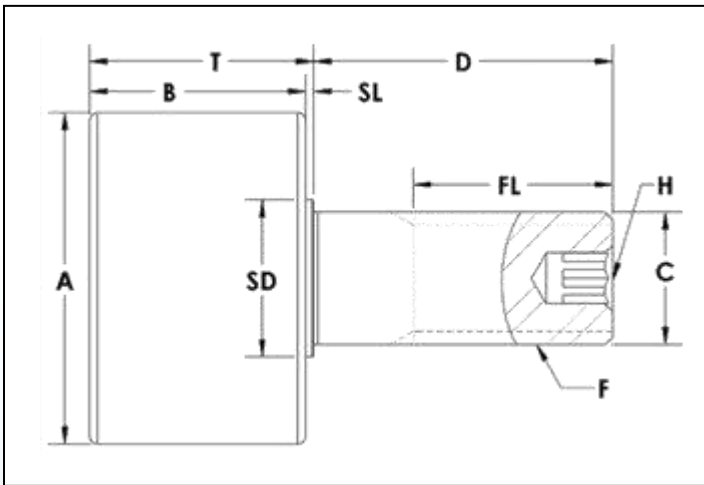
- None – ∞Infinity Brand
- CSO – Competitive Standard Offering

# PTR Series Track Roller Assembly

Plain/Cylindrical – Stud Type Concentric  
Ball & Tapered Roller Bearings



(989)358-6148  
www.pcimfg.com



FEATURING  
∞ INFINITY ROLLER™  
TECHNOLOGY

Ask About Cost Savings Options (CSO)  
Similar to what other mfg.'s provide

Stud Type Track Roller Part Number	A Roller Dia. +.000 -.001	B Roller Width	C Stud Dia. +.000 -.001	D Stud Length	F Thread Size	FL Thread Length	H Hex Size	SD Shoulder Dia.	SL Shoulder Length	T Roller Width + Shoulder Length
PTR-1.00	1.000	0.75	0.437	1.00	7/16 - 20	0.50	3/16	0.5	0.03	0.78
PTR-1.125	1.125	0.75	0.437	1.00	7/16 - 20	0.50	3/16	0.5	0.03	0.78
PTR-1.25	1.250	0.81	0.500	1.25	1/2 - 20	0.63	3/16	0.6	0.03	0.84
PTR-1.375	1.375	0.81	0.500	1.25	1/2 - 20	0.63	3/16	0.6	0.03	0.84
PTR-1.50	1.500	1.13	0.625	1.50	5/8 - 18	0.75	5/16	0.8	0.06	1.19
PTR-1.75-5	1.750	1.13	0.500	0.88	1/2 - 13	0.75	-	.625(HEX)	0.32	1.44
PTR-1.75	1.750	1.13	0.750	1.75	3/4 - 16	0.88	5/16	0.9	0.06	1.19
PTR-2.00-2	2.000	1.32	0.875	2.00	7/8 - 14	1.13	5/16	1.0	0.06	1.38
PTR-2.00	2.000	1.63	0.875	2.00	7/8 - 14	1.13	5/16	1.0	0.06	1.69
PTR-2.25	2.250	1.63	0.875	2.00	7/8 - 14	1.13	5/16	1.0	0.06	1.69
PTR-2.50	2.500	1.63	1.000	2.25	1 - 14	1.50	3/8	1.2	0.06	1.69
PTR-2.50-10	2.500	1.63	1.000	2.25	1 - 14	1.50	3/8	1.2	0.19	1.81
PTR-2.50E	2.500	1.75	1.000	2.25	1 - 14	1.50	3/8	1.3	0.06	1.81
PTR-2.75	2.750	1.63	1.000	2.25	1 - 14	1.50	3/8	1.2	0.06	1.69
PTR-2.75E	2.750	1.75	1.000	2.25	1 - 14	1.50	3/8	1.3	0.06	1.81
PTR-3.00A	3.000	1.94	1.250	2.50	1 1/4 - 12	1.75	1/2	1.5	0.06	2.00
PTR-3.00	3.000	1.94	1.250	2.50	1 1/4 - 12	1.75	1/2	1.8	0.06	2.00
PTR-3.25A	3.250	1.94	1.250	2.50	1 1/4 - 12	1.75	1/2	1.5	0.06	2.00
PTR-3.25	3.250	1.94	1.250	2.50	1 1/4 - 12	1.75	1/2	1.8	0.06	2.00
PTR-3.50A	3.500	1.94	1.250	2.75	1 1/4 - 12	1.75	1/2	1.5	0.06	2.00
PTR-3.50	3.500	1.94	1.250	2.75	1 1/4 - 12	1.75	1/2	1.8	0.06	2.00
PTR-4.00A	4.000	1.94	1.250	2.75	1 1/4 - 12	1.75	1/2	1.5	0.06	2.00
PTR-4.00	4.000	1.94	1.250	2.75	1 1/4 - 12	1.75	1/2	1.8	0.06	2.00
PTR-4.50	4.500	1.94	1.250	2.75	1 1/4 - 12	1.75	1/2	1.8	0.06	2.00
PTR-5.00	5.000	2.94	2.000	4.50	2 - 12	2.50	5/8	3.0	0.06	3.00
PTR-6.00	6.000	2.94	2.500	5.50	2 1/2 - 12	3.25	5/8	3.5	0.06	3.00
PTR-7.00	7.000	2.94	2.500	5.50	2 1/2 - 12	3.25	5/8	3.5	0.06	3.00
PTR-8.00	8.000	2.94	2.500	5.50	2 1/2 - 12	3.25	5/8	3.5	0.06	3.00
PTR-10.00	10.000	2.94	2.500	5.50	2 1/2 - 12	3.25	5/8	3.5	0.06	3.00
PTR-10.00-8	10.000	4.87	4.250	9.00	3 1/2 - 4	4.00	5/8	5.0	0.13	5.00

# PTR Series Track Roller Assembly

Plain/Cylindrical – Stud Type Concentric  
Ball & Tapered Roller Bearings



## ADDITIONAL NOTES

\*For lubricated threads, use half the maximum clamping torque value shown.

DGBB: Deep Groove Ball Bearings – Alloy Steel  
TRB: Tapered Roller Bearings – Alloy Steel

FEATURING ∞ INFINITY ROLLER™ TECHNOLOGY  
Ask About Cost Savings Options (CSO)  
Similar to what other mfg.'s provide

Jam Nut & Lock Washer sets are available at an additional cost.

Specifications subject to change without notice.

Stud Type Track Roller Part Number	Basic Radial Dynamic Load Rating (lbs) C	Basic Radial Static Load Rating (lbs) Co	Thrust Dynamic Load Rating (lbs)	Thrust Static Load Rating (lbs)	Stud Capacity (lbs)	Retaining Ring Capacity (lbs)	Max. Clamping Torque (in-lbs)*	Seal Type	Bearing Type	Approx. Roller Weight (lbs)
PTR-1.00	956	480	331	60	530	470	180	Rubber Lip	DGBB	0.17
PTR-1.125	956	480	331	60	530	470	180	Rubber Lip	DGBB	0.22
PTR-1.25	1,231	640	430	80	930	470	180	Rubber Lip	DGBB	0.30
PTR-1.375	1,231	640	430	80	930	470	180	Rubber Lip	DGBB	0.36
PTR-1.50	2,651	1,394	1,101	348	1,670	550	350	Rubber Lip	DGBB	0.56
PTR-1.75-5	2,651	1,394	1,101	348	1,240	550	650	Rubber Lip	DGBB	0.70
PTR-1.75	2,651	1,394	1,101	348	1,670	550	650	Rubber Lip	DGBB	0.86
PTR-2.00-2	3,624	2,136	1,563	534	3,710	900	650	Rubber Lip	DGBB	1.23
PTR-2.00	3,624	2,136	1,563	534	4,660	900	650	Rubber Lip	DGBB	1.39
PTR-2.25	3,624	2,136	1,563	534	4,660	900	650	Rubber Lip	DGBB	1.86
PTR-2.50	5,390	3,507	2,407	877	8,470	1,340	650	Rubber Lip	DGBB	2.34
PTR-2.50-10	5,390	3,507	2,407	877	7,910	1,340	650	Rubber Lip	DGBB	2.26
PTR-2.50E	10,880	7,630	4,010	4,570	7,910	-	1,500	Rubber Dual Lip	TRB	2.48
PTR-2.75	5,390	3,507	2,407	877	8,470	1,340	650	Rubber Lip	DGBB	2.82
PTR-2.75E	10,880	7,630	4,010	4,570	7,910	-	1,500	Rubber Dual Lip	TRB	3.00
PTR-3.00A	7,393	5,036	3,358	1,259	13,980	1,950	1,500	Rubber Lip	DGBB	3.99
PTR-3.00	14,300	20,000	5,790	12,000	13,980	-	1,500	Rubber Dual Lip	TRB	4.15
PTR-3.25A	7,393	5,036	3,358	1,259	13,980	1,950	1,500	Rubber Lip	DGBB	4.65
PTR-3.25	14,300	20,000	5,790	12,000	13,980	-	1,500	Rubber Dual Lip	TRB	4.84
PTR-3.50A	7,393	5,036	3,358	1,259	13,980	1,950	1,500	Rubber Lip	DGBB	5.48
PTR-3.50	14,300	20,000	5,790	12,000	13,980	-	1,500	Rubber Dual Lip	TRB	5.67
PTR-4.00A	7,393	5,036	3,358	1,259	13,980	1,950	1,500	Rubber Lip	DGBB	7.13
PTR-4.00	14,300	20,000	5,790	12,000	13,980	-	1,500	Rubber Dual Lip	TRB	7.33
PTR-4.50	14,300	20,000	5,790	12,000	13,980	-	1,500	Rubber Dual Lip	TRB	9.20
PTR-5.00	35,870	58,400	13,310	32,100	38,190	-	1,500	Rubber Dual Lip	TRB	18.81
PTR-6.00	35,830	56,200	14,150	32,900	74,580	-	1,500	Rubber Dual Lip	TRB	29.03
PTR-7.00	35,830	56,200	14,150	32,900	74,580	-	1,500	Rubber Dual Lip	TRB	36.28
PTR-8.00	35,830	56,200	14,150	32,900	74,580	-	1,500	Rubber Dual Lip	TRB	47.34
PTR-10.00	35,830	56,200	14,150	32,900	74,580	-	1,500	Rubber Dual Lip	TRB	70.44
PTR-10.00-8	83,700	159,800	39,000	110,000	219,860	-	1,500	Rubber Lip	TRB	128.78

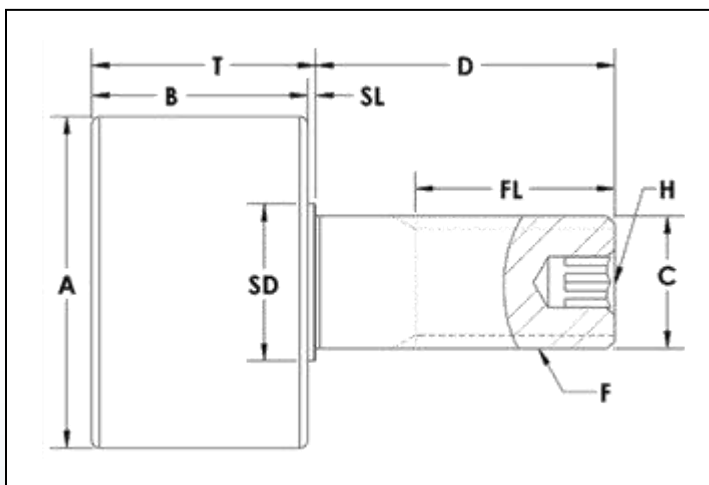
# MPTR Series Track Roller Assembly

Metric - Plain/Cylindrical - Stud Type Concentric  
Ball & Tapered Roller Bearings



(989)358-6148

www.pcimfg.com



**FEATURING**  
∞ INFINITY ROLLER™  
TECHNOLOGY

Ask About Cost Savings Options (CSO)  
Similar to what other mfg.'s provide

Stud Type Track Roller Part Number	A	B	C	D	F	FL	H	SD	SL	T
	Roller Dia. +0.00 -0.03 (mm)	Roller Width (mm)	Stud Dia. +0.00 -0.03 (mm)	Stud Length (mm)	Thread Size	Thread Length (mm)	Hex Size (mm)	Shoulder Dia. (mm)	Shoulder Length (mm)	Roller Width + Shoulder Length (mm)
MPTR-26	26	19.2	10	23	M10 X 1	13	4	13.1	0.8	20
MPTR-30	30	19.2	12	25	M12 X 1.5	14	4	15.9	0.8	20
MPTR-32	32	21.2	12	25	M12 X 1.5	14	4	15.9	0.8	22
MPTR-35	35	21.2	16	32.5	M16 X 2	18	8	19.1	0.8	22
MPTR-40	40	28.4	14	40	M14 X 2	26	6	18	1.6	30
MPTR-40-1	40	26	18	36.5	M18 X 1.5	19	8	22	1.6	27.6
MPTR-47	47	26	20	40.5	M20 X 1.5	21	8	25.5	1.6	27.6
MPTR-50	50	38.4	16	50	M16 X 2	35	8	23	1.6	40
MPTR-52	52	32	20	40.5	M20 X 1.5	21	8	25.5	1.6	33.6
MPTR-62	62	42.4	24	58	M24 X 3	35	8	32	1.6	44
MPTR-62-1	62	42	24	49.5	M24 X 1.5	25	8	32	1.6	44
MPTR-72	72	42.4	24	50	M24 X 1.5	25	8	32	1.6	44
MPTR-76	76	50	30	69.5	M30 X 3.5	40	12	44.5	1.6	52
MPTR-80	80	50.4	30	70	M30 X 3.5	40	12	44.5	1.6	52
MPTR-85	85	50	30	69.5	M30 X 3.5	40	12	44.5	1.6	52
MPTR-90	90	50.4	30	70	M30 X 3.5	40	12	44.5	1.6	52
MPTR-100-1	100	50	30	69.5	M30 X 3.5	40	12	44.5	1.6	52
MPTR-100	100	50.4	30	80	M30 X 3.5	50	12	44.5	1.6	52
MPTR-125	125	74	48	105	M48 X 5	60	12	76.2	1.6	76
MPTR-150	150	74.4	64	140	M64 X 6	82	12	88.9	1.6	76
MPTR-200	200	74	64	140	M64 X 6	82	12	88.9	1.6	76

# MPTR Series Track Roller Assembly

Metric - Plain/Cylindrical – Stud Type Concentric  
Ball & Tapered Roller Bearings



## ADDITIONAL NOTES

\*For lubricated threads, use half the maximum clamping torque value shown.

DGBB: Deep Groove Ball Bearings – Alloy Steel  
TRB: Tapered Roller Bearings – Alloy Steel

FEATURING ∞ INFINITY ROLLER™ TECHNOLOGY  
Ask About Cost Savings Options (CSO)  
Similar to what other mfg.'s provide

Jam Nut & Lock Washer sets are available at an additional cost.

Specifications subject to change without notice.

Stud Type Track Roller Part Number	Basic Radial Dynamic Load Rating (N) C	Basic Radial Static Load Rating (N) C	Thrust Dynamic Load Rating (N)	Thrust Static Load Rating (N)	Stud Capacity (N)	Retaining Ring Capacity (N)	Max. Clamping Torque (Nm)*	Seal Type	Bearing Type	Approx. Roller Weight (Kg)
MPTR-26	4,250	2,130	1,470	265	2,600	2,090	20	Rubber Lip	DGBB	0.10
MPTR-30	4,250	2,130	1,470	265	2,600	2,090	20	Rubber Lip	DGBB	0.11
MPTR-32	5,470	2,840	1,900	350	4,300	2,090	20	Rubber Lip	DGBB	0.14
MPTR-35	5,470	2,840	1,900	350	4,300	2,090	20	Rubber Lip	DGBB	0.17
MPTR-40	11,790	6,200	4,890	1,540	7,400	2,440	20	Rubber Lip	DGBB	0.27
MPTR-40-1	11,790	6,200	4,890	1,540	7,400	2,440	20	Rubber Lip	DGBB	0.27
MPTR-47	11,790	6,200	4,890	1,540	7,400	2,440	20	Rubber Lip	DGBB	0.42
MPTR-50	16,120	9,500	6,950	2,375	20,700	4,000	68	Rubber Lip	DGBB	0.54
MPTR-52	16,120	9,500	6,950	2,375	20,700	4,000	68	Rubber Lip	DGBB	0.54
MPTR-62	20,732	13,398	9,236	3,350	21,200	5,960	68	Rubber Lip	DGBB	1.00
MPTR-62-1	20,732	13,398	9,236	3,350	21,200	5,960	68	Rubber Lip	DGBB	1.00
MPTR-72	48,300	33,950	17,800	20,330	20,820	-	68	Rubber Dual Lip	TRB	1.40
MPTR-76	63,600	89,000	25,700	53,400	52,780	-	136	Rubber Dual Lip	TRB	1.90
MPTR-80	63,600	89,000	25,700	53,400	52,780	-	136	Rubber Dual Lip	TRB	2.00
MPTR-85	63,600	89,000	25,700	53,400	52,780	-	136	Rubber Dual Lip	TRB	2.40
MPTR-90	63,600	89,000	25,700	53,400	52,780	-	136	Rubber Dual Lip	TRB	2.70
MPTR-100-1	63,600	89,000	25,700	53,400	52,780	-	136	Rubber Dual Lip	TRB	3.40
MPTR-100	63,600	89,000	25,700	53,400	52,780	-	136	Rubber Dual Lip	TRB	3.00
MPTR-125	159,000	259,700	59,000	142,700	143,500	-	136	Rubber Dual Lip	TRB	3.40
MPTR-150	159,000	249,000	62,900	146,300	411,900	-	136	Rubber Dual Lip	TRB	13.00
MPTR-200	159,000	249,000	62,900	146,300	411,900	-	136	Rubber Dual Lip	TRB	22.00

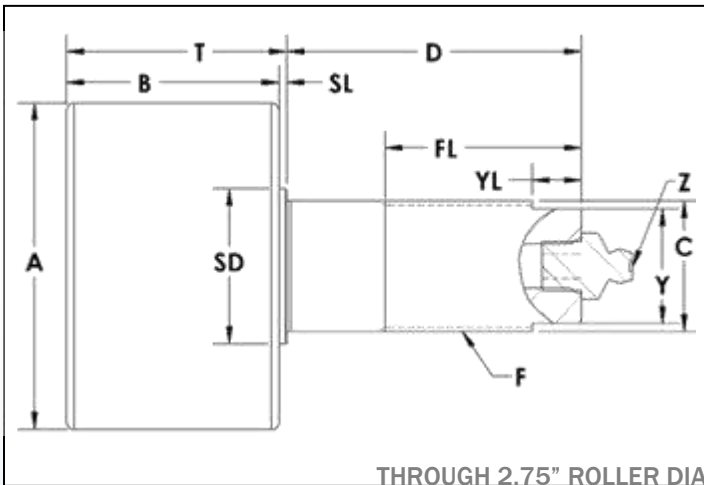


# PTR-R Series Track Roller Assembly

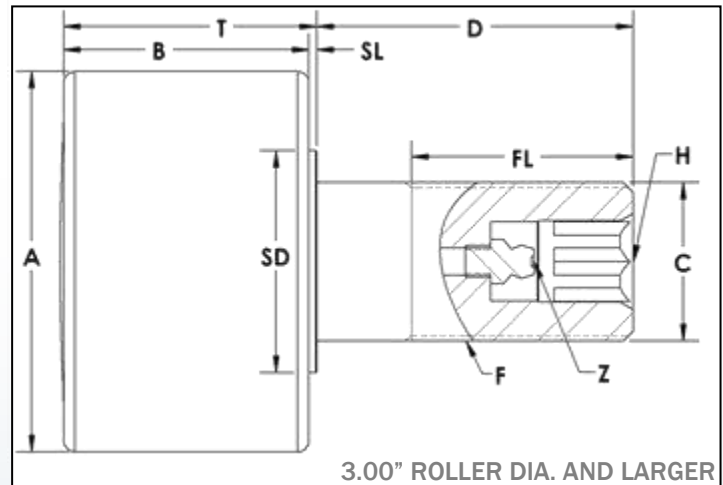
Plain/Cylindrical – Stud Type Concentric  
Ball & Tapered Roller Bearings - Regreasable



(989)358-6148  
www.pcimfg.com



THROUGH 2.75" ROLLER DIA



3.00" ROLLER DIA. AND LARGER

Stud Type Track Roller Part Number	A	B	C	D	F	FL	H	SD	SL	T	Y	YL	Z
	Roller Dia. +0.000 -0.001	Roller Width	Stud Dia. +0.000 -0.001	Stud Length	Thread Size	Thread Length	Hex Size	Shoulder Dia.	Shoulder Length	Roller Width + Shoulder Length	Wrench Flat	Wrench Flat Length	Lube Size
PTR-1.00-R	1.000	0.75	0.437	1.00	7/16 - 20	0.50	-	0.5	0.03	0.78	0.312	0.250	1/8 Drive
PTR-1.125-R	1.125	0.75	0.437	1.00	7/16 - 20	0.50	-	0.5	0.03	0.78	0.312	0.250	1/8 Drive
PTR-1.25-R	1.250	0.81	0.500	1.25	1/2 - 20	0.63	-	0.6	0.03	0.84	0.375	0.250	1/8 Drive
PTR-1.375-R	1.375	0.81	0.500	1.25	1/2 - 20	0.63	-	0.6	0.03	0.84	0.375	0.250	1/8 Drive
PTR-1.50-R	1.500	1.13	0.625	1.50	5/8 - 18	0.75	-	0.8	0.06	1.19	0.500	0.375	1/4-28 UNF
PTR-1.75-5-R	1.750	1.13	0.500	0.88	1/2 - 13	0.75	-	.625(HEX)	0.32	1.44	0.375	0.250	1/8 Drive
PTR-1.75-R	1.750	1.13	0.750	1.75	3/4 - 16	0.88	-	0.9	0.06	1.19	0.625	0.375	1/8-27 NPT
PTR-2.00-2-R	2.000	1.32	0.875	2.00	7/8 - 14	1.13	-	1.0	0.06	1.38	0.625	0.375	1/8-27 NPT
PTR-2.00-R	2.000	1.63	0.875	2.00	7/8 - 14	1.13	-	1.0	0.06	1.69	0.625	0.375	1/8-27 NPT
PTR-2.25-R	2.250	1.63	0.875	2.00	7/8 - 14	1.13	-	1.0	0.06	1.69	0.625	0.375	1/8-27 NPT
PTR-2.50-R	2.500	1.63	1.000	2.25	1 - 14	1.50	-	1.2	0.06	1.69	0.875	0.375	1/8-27 NPT
PTR-2.50-10-R	2.500	1.63	1.000	2.25	1 - 14	1.50	-	1.2	0.19	1.81	0.875	0.375	1/8-27 NPT
PTR-2.50E-R	2.500	1.75	1.000	2.25	1 - 14	1.50	-	1.3	0.06	1.81	0.875	0.375	1/8-27 NPT
PTR-2.75-R	2.750	1.63	1.000	2.25	1 - 14	1.50	-	1.2	0.06	1.69	0.875	0.375	1/8-27 NPT
PTR-2.75E-R	2.750	1.75	1.000	2.25	1 - 14	1.50	-	1.3	0.06	1.81	0.875	0.375	1/8-27 NPT
PTR-3.00A-R	3.000	1.94	1.250	2.50	1 1/4 - 12	1.75	5/8	1.5	0.06	2.00	-	-	1/4-28 UNF
PTR-3.00-R	3.000	1.94	1.250	2.50	1 1/4 - 12	1.75	5/8	1.8	0.06	2.00	-	-	1/4-28 UNF
PTR-3.25A-R	3.250	1.94	1.250	2.50	1 1/4 - 12	1.75	5/8	1.5	0.06	2.00	-	-	1/4-28 UNF
PTR-3.25-R	3.250	1.94	1.250	2.50	1 1/4 - 12	1.75	5/8	1.8	0.06	2.00	-	-	1/4-28 UNF
PTR-3.50A-R	3.500	1.94	1.250	2.75	1 1/4 - 12	1.75	5/8	1.5	0.06	2.00	-	-	1/4-28 UNF
PTR-3.50-R	3.500	1.94	1.250	2.75	1 1/4 - 12	1.75	5/8	1.8	0.06	2.00	-	-	1/4-28 UNF
PTR-4.00A-R	4.000	1.94	1.250	2.75	1 1/4 - 12	1.75	5/8	1.5	0.06	2.00	-	-	1/4-28 UNF
PTR-4.00-R	4.000	1.94	1.250	2.75	1 1/4 - 12	1.75	5/8	1.8	0.06	2.00	-	-	1/4-28 UNF
PTR-4.50-R	4.500	1.94	1.250	2.75	1 1/4 - 12	1.75	5/8	1.8	0.06	2.00	-	-	1/4-28 UNF
PTR-5.00-R	5.000	2.94	2.000	4.50	2 - 12	2.50	5/8	3.0	0.06	3.00	-	-	1/4-28 UNF
PTR-6.00-R	6.000	2.94	2.500	5.50	2 1/2 - 12	3.25	5/8	3.5	0.06	3.00	-	-	1/4-28 UNF
PTR-7.00-R	7.000	2.94	2.500	5.50	2 1/2 - 12	3.25	5/8	3.5	0.06	3.00	-	-	1/4-28 UNF
PTR-8.00-R	8.000	2.94	2.500	5.50	2 1/2 - 12	3.25	5/8	3.5	0.06	3.00	-	-	1/4-28 UNF
PTR-10.00-R	10.000	2.94	2.500	5.50	2 1/2 - 12	3.25	5/8	3.5	0.06	3.00	-	-	1/4-28 UNF

# PTR-R Series Track Roller Assembly

Plain/Cylindrical – Stud Type Concentric  
Ball & Tapered Roller Bearings - Regreasable



(989)358-6148  
www.pcimfg.com



## ADDITIONAL NOTES

\*For lubricated threads, use half the maximum clamping torque value shown.

DGBB: Deep Groove Ball Bearings – Alloy Steel  
TRB: Tapered Roller Bearings – Alloy Steel

FEATURING ∞ INFINITY ROLLER™ TECHNOLOGY

Jam Nut & Lock Washer sets are available at an additional cost.

Specifications subject to change without notice.

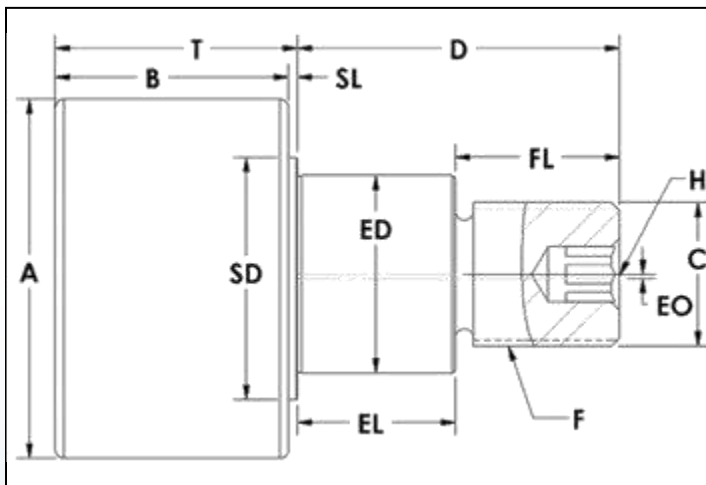
Stud Type Track Roller Part Number	Basic Radial Dynamic Load Rating (lbs) C	Basic Radial Static Load Rating (lbs) Co	Thrust Dynamic Load Rating (lbs)	Thrust Static Load Rating (lbs)	Stud Capacity (lbs)	Retaining Ring Capacity (lbs)	Max. Clamping Torque (in-lbs)*	Seal Type	Bearing Type	Approx. Roller Weight (lbs)
PTR-1.00-R	956	480	331	60	530	470	180	Rubber Lip	DGBB	0.17
PTR-1.125-R	956	480	331	60	530	470	180	Rubber Lip	DGBB	0.22
PTR-1.25-R	1,231	640	430	80	930	470	180	Rubber Lip	DGBB	0.30
PTR-1.375-R	1,231	640	430	80	930	470	180	Rubber Lip	DGBB	0.36
PTR-1.50-R	2,651	1,394	1,101	348	1,680	550	350	Rubber Lip	DGBB	0.56
PTR-1.75-5-R	2,651	1,394	1,101	348	1,240	550	650	Rubber Lip	DGBB	0.70
PTR-1.75-R	2,651	1,394	1,101	348	1,670	550	650	Rubber Lip	DGBB	0.86
PTR-2.00-2-R	3,624	2,136	1,563	534	3,710	900	650	Rubber Lip	DGBB	1.23
PTR-2.00-R	3,624	2,136	1,563	534	4,660	900	650	Rubber Lip	DGBB	1.39
PTR-2.25-R	3,624	2,136	1,563	534	4,660	900	650	Rubber Lip	DGBB	1.86
PTR-2.50-R	5,390	3,507	2,407	877	8,470	1,340	650	Rubber Lip	DGBB	2.34
PTR-2.50-10-R	5,390	3,507	2,407	877	7,910	1,340	650	Rubber Lip	DGBB	2.26
PTR-2.50E-R	10,880	7,630	4,010	4,570	7,910	-	1,500	Rubber Dual Lip	TRB	2.48
PTR-2.75-R	5,390	3,507	2,407	877	8,470	1,340	650	Rubber Lip	DGBB	2.82
PTR-2.75E-R	10,880	7,630	4,010	4,570	7,910	-	1,500	Rubber Dual Lip	TRB	3.00
PTR-3.00A-R	7,393	5,036	3,358	1,259	13,980	1,950	1,500	Rubber Lip	DGBB	3.99
PTR-3.00-R	14,300	20,000	5,790	12,000	13,980	-	1,500	Rubber Dual Lip	TRB	4.15
PTR-3.25A-R	7,393	5,036	3,358	1,259	13,980	1,950	1,500	Rubber Lip	DGBB	4.65
PTR-3.25-R	14,300	20,000	5,790	12,000	13,980	-	1,500	Rubber Dual Lip	TRB	4.84
PTR-3.50A-R	7,393	5,036	3,358	1,259	13,980	1,950	1,500	Rubber Lip	DGBB	5.48
PTR-3.50-R	14,300	20,000	5,790	12,000	13,980	-	1,500	Rubber Dual Lip	TRB	5.67
PTR-4.00A-R	7,393	5,036	3,358	1,259	13,980	1,950	1,500	Rubber Lip	DGBB	7.13
PTR-4.00-R	14,300	20,000	5,790	12,000	13,980	-	1,500	Rubber Dual Lip	TRB	7.33
PTR-4.50-R	14,300	20,000	5,790	12,000	13,980	-	1,500	Rubber Dual Lip	TRB	9.20
PTR-5.00-R	35,870	58,400	13,310	32,100	38,190	-	1,500	Rubber Dual Lip	TRB	18.81
PTR-6.00-R	35,830	56,200	14,150	32,900	74,580	-	1,500	Rubber Dual Lip	TRB	29.03
PTR-7.00-R	35,830	56,200	14,150	32,900	74,580	-	1,500	Rubber Dual Lip	TRB	36.28
PTR-8.00-R	35,830	56,200	14,150	32,900	74,580	-	1,500	Rubber Dual Lip	TRB	47.34
PTR-10.00-R	35,830	56,200	14,150	32,900	74,580	-	1,500	Rubber Dual Lip	TRB	70.44

# PTRE Series Track Roller Assembly

Plain/Cylindrical – Stud Type Eccentric  
Ball & Tapered Roller Bearings



(989)358-6148  
www.pcimfg.com



FEATURING  
∞ INFINITY ROLLER™  
TECHNOLOGY

Ask About Cost Savings Options (CSO)  
Similar to what other mfg.'s provide

Stud Type Track Roller Part Number	A	B	C	D	ED	EL	EO	F	FL	H	SD	SL	T
	Roller Dia. +.000 -.001	Roller Width	Stud Dia.	Stud Length	Ecc Dia +.000 -.002	Ecc Length	Ecc Offset	Thread Size	Thread Length	Hex Size	Shld Dia.	Shoulder Length	Roller Width + Shoulder Length
PTRE-1.00	1.000	0.75	0.437	1.00	0.625	0.48	0.03	7/16 - 20	0.52	3/16	0.7	0.03	0.78
PTRE-1.125	1.125	0.75	0.437	1.00	0.625	0.48	0.03	7/16 - 20	0.52	3/16	0.7	0.03	0.78
PTRE-1.25	1.250	0.81	0.500	1.25	0.687	0.61	0.03	1/2 - 20	0.65	3/16	0.8	0.03	0.84
PTRE-1.375	1.375	0.81	0.500	1.25	0.687	0.61	0.03	1/2 - 20	0.65	3/16	0.8	0.03	0.84
PTRE-1.50	1.500	1.13	0.625	1.50	0.875	0.73	0.03	5/8 - 18	0.77	5/16	1.1	0.06	1.19
PTRE-1.75	1.750	1.13	0.750	1.75	1.000	0.86	0.03	3/4 - 16	0.90	5/16	1.3	0.06	1.19
PTRE-2.00-2	2.000	1.32	0.875	2.00	1.187	0.98	0.03	7/8 - 14	1.02	5/16	1.5	0.06	1.38
PTRE-2.00	2.000	1.63	0.875	2.00	1.187	0.98	0.03	7/8 - 14	1.02	5/16	1.5	0.06	1.69
PTRE-2.25	2.250	1.63	0.875	2.00	1.187	0.98	0.03	7/8 - 14	1.02	5/16	1.5	0.06	1.69
PTRE-2.50	2.500	1.63	1.000	2.25	1.375	1.11	0.03	1 - 14	1.15	3/8	1.7	0.06	1.69
PTRE-2.50-10	2.500	1.63	1.000	2.25	1.375	1.11	0.03	1 - 14	1.15	3/8	1.7	0.19	1.81
PTRE-2.50E	2.500	1.75	1.000	2.25	1.375	1.11	0.03	1 - 14	1.15	3/8	1.7	0.06	1.81
PTRE-2.75	2.750	1.63	1.000	2.25	1.375	1.11	0.03	1 - 14	1.15	3/8	1.7	0.06	1.69
PTRE-2.75E	2.750	1.75	1.000	2.25	1.375	1.11	0.03	1 - 14	1.15	3/8	1.7	0.06	1.81
PTRE-3.00A	3.000	1.94	1.250	2.50	1.750	1.23	0.06	1 1/4 - 12	1.27	1/2	2.2	0.06	2.00
PTRE-3.00	3.000	1.94	1.250	2.50	1.750	1.23	0.06	1 1/4 - 12	1.27	1/2	2.2	0.06	2.00
PTRE-3.25A	3.250	1.94	1.250	2.50	1.750	1.23	0.06	1 1/4 - 12	1.27	1/2	2.2	0.06	2.00
PTRE-3.25	3.250	1.94	1.250	2.50	1.750	1.23	0.06	1 1/4 - 12	1.27	1/2	2.2	0.06	2.00
PTRE-3.50A	3.500	1.94	1.250	2.75	1.812	1.36	0.06	1 1/4 - 12	1.40	1/2	2.2	0.06	2.00
PTRE-3.50	3.500	1.94	1.250	2.75	1.812	1.36	0.06	1 1/4 - 12	1.40	1/2	2.2	0.06	2.00
PTRE-4.00A	4.000	1.94	1.250	2.75	1.812	1.36	0.06	1 1/4 - 12	1.40	1/2	2.2	0.06	2.00
PTRE-4.00	4.000	1.94	1.250	2.75	1.812	1.36	0.06	1 1/4 - 12	1.40	1/2	2.2	0.06	2.00
PTRE-4.50	4.500	1.94	1.250	2.75	1.812	1.36	0.06	1 1/4 - 12	1.40	1/2	2.2	0.06	2.00
PTRE-5.00	5.000	2.94	2.000	4.50	2.625	2.13	0.06	2 - 12	2.38	5/8	3.3	0.06	3.00
PTRE-6.00	6.000	2.94	2.500	5.50	3.125	2.88	0.06	2 1/2 - 12	2.63	5/8	3.6	0.06	3.00

# PTRE Series Track Roller Assembly

Plain/Cylindrical – Stud Type Eccentric  
Ball & Tapered Roller Bearings



## ADDITIONAL NOTES

\*For lubricated threads, use half the maximum clamping torque value shown.

DGGB: Deep Groove Ball Bearings – Alloy Steel  
TRB: Tapered Roller Bearings – Alloy Steel

FEATURING ∞ INFINITY ROLLER™ TECHNOLOGY  
Ask About Cost Savings Options (CSO)  
Similar to what other mfg.'s provide

Jam Nut & Lock Washer sets are available at an additional cost.

Specifications subject to change without notice.

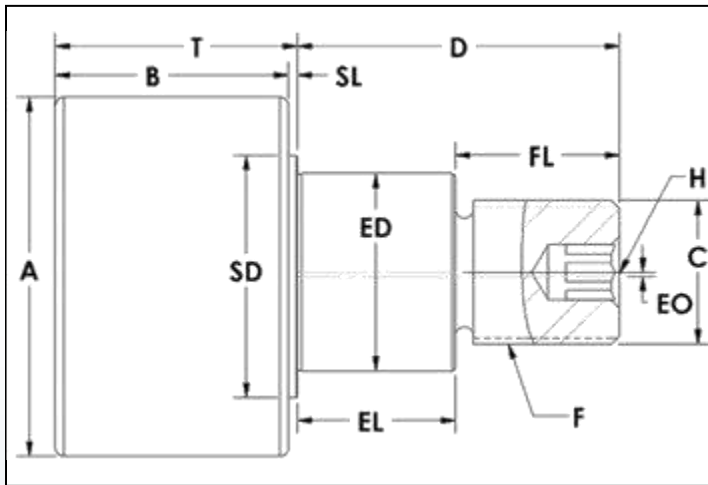
Stud Type Track Roller Part Number	Basic Radial Dynamic Load Rating (lbs) C	Basic Radial Static Load Rating (lbs) Co	Thrust Dynamic Load Rating (lbs)	Thrust Static Load Rating (lbs)	Stud Capacity (lbs)	Retaining Ring Capacity (lbs)	Max. Clamping Torque (in-lbs)*	Seal Type	Bearing Type	Approx. Roller Weight (lbs)
PTRE-1.00	956	480	331	60	530	470	250	Rubber Lip	DGGB	0.20
PTRE-1.125	956	480	331	60	530	470	250	Rubber Lip	DGGB	0.24
PTRE-1.25	1,231	640	430	80	940	470	250	Rubber Lip	DGGB	0.32
PTRE-1.375	1,231	640	430	80	940	470	250	Rubber Lip	DGGB	0.37
PTRE-1.50	2,651	1,394	1,101	348	1,680	550	650	Rubber Lip	DGGB	0.63
PTRE-1.75	2,651	1,394	1,101	348	1,680	550	650	Rubber Lip	DGGB	0.96
PTRE-2.00-2	3,624	2,136	1,563	534	3,710	900	650	Rubber Lip	DGGB	1.52
PTRE-2.00	3,624	2,136	1,563	534	4,660	900	650	Rubber Lip	DGGB	1.68
PTRE-2.25	3,624	2,136	1,563	534	4,660	900	650	Rubber Lip	DGGB	2.07
PTRE-2.50	5,390	3,507	2,407	877	8,470	1,340	650	Rubber Lip	DGGB	2.48
PTRE-2.50-10	5,390	3,507	2,407	877	7,910	1,340	650	Rubber Lip	DGGB	2.40
PTRE-2.50E	10,880	7,630	4,010	4,570	7,910	-	650	Rubber Dual Lip	TRB	2.67
PTRE-2.75	5,390	3,507	2,407	877	8,470	1,340	650	Rubber Lip	DGGB	3.08
PTRE-2.75E	10,880	7,630	4,010	4,570	7,910	-	1,500	Rubber Dual Lip	TRB	3.17
PTRE-3.00A	7,393	5,036	3,358	1,259	13,980	1,950	1,500	Rubber Lip	DGGB	4.53
PTRE-3.00	14,300	20,000	5,790	12,000	13,980	-	1,500	Rubber Dual Lip	TRB	4.62
PTRE-3.25A	7,393	5,036	3,358	1,259	13,980	1,950	1,500	Rubber Lip	DGGB	5.19
PTRE-3.25	14,300	20,000	5,790	12,000	13,980	-	1,500	Rubber Dual Lip	TRB	5.31
PTRE-3.50A	7,393	5,036	3,358	1,259	13,980	1,950	1,500	Rubber Lip	DGGB	6.10
PTRE-3.50	14,300	20,000	5,790	12,000	13,980	-	1,500	Rubber Dual Lip	TRB	6.27
PTRE-4.00A	7,393	5,036	3,358	1,259	13,980	1,950	1,500	Rubber Lip	DGGB	7.69
PTRE-4.00	14,300	20,000	5,790	12,000	13,980	-	1,500	Rubber Dual Lip	TRB	7.93
PTRE-4.50	14,300	20,000	5,790	12,000	13,980	-	1,500	Rubber Dual Lip	TRB	9.42
PTRE-5.00	35,870	58,400	13,310	32,100	38,190	-	1,500	Rubber Dual Lip	TRB	20.20
PTRE-6.00	35,830	56,200	14,150	32,900	74,580	-	1,500	Rubber Dual Lip	TRB	31.06

# MPTRE Series Track Roller Assembly

Metric - Plain/Cylindrical - Stud Type Eccentric  
Ball & Tapered Roller Bearings



(989)358-6148  
www.pcimfg.com



FEATURING  
∞ INFINITY ROLLER™  
TECHNOLOGY

Ask About Cost Savings Options (CSO)  
Similar to what other mfg.'s provide

Stud Type Track Roller Part Number	A	B	C	D	ED	EL	EO	F	FL	H	SD	SL	T
	Roller Dia. +.00 -.03 (mm)	Roller Width (mm)	Stud Dia. +.00 -.03 (mm)	Stud Length (mm)	Ecc Dia +.000 -.002 (mm)	Ecc Length (mm)	Ecc Offset (mm)	Thread Size	Thread Length (mm)	Hex Size (mm)	Shoulder Dia. (mm)	Shoulder Length (mm)	Roller Width + Shoulder Length (mm)
MPTRE-26	26	19.2	10	23	13	10	0.5	M10 X 1	13	4	17.1	0.8	20
MPTRE-30	30	19.2	12	25	15	11	0.5	M12 X 1.5	14	4	17.5	0.8	20
MPTRE-32	32	21.2	12	25	15	11	0.5	M12 X 1.5	14	4	17.5	0.8	22
MPTRE-35	35	21.2	16	32.5	20	14.5	1	M16 X 2	18	8	23.8	0.8	22
MPTRE-40	40	28.4	14	40	22	13	1	M14 X 2	26	6	28.5	1.6	30
MPTRE-40-1	40	26	18	36.5	22	16	1	M18 X 1.5	19	8	28.5	1.6	27.6
MPTRE-47	47	26	20	40.5	24	18	1	M20 X 1.5	21	8	32	1.6	27.6
MPTRE-50	50	38.4	16	50	24	18	1	M16 X 2	35	8	32	1.6	40
MPTRE-52	52	32	20	40.5	24	18	1	M20 X 1.5	21	8	32	1.6	33.6
MPTRE-62	62	42.4	24	58	28	20	1.5	M24 X 3	35	8	43	1.6	44
MPTRE-62-1	62	42	24	49.5	28	22	1	M24 X 1.5	25	8	43	1.6	44
MPTRE-72	72	42.4	20	50	28	22	1	M20 X 1.5	25	8	38	1.6	44
MPTRE-76	76	50	24	69.5	35	29	1.5	M24 X 1.5	40	12	50	1.6	52
MPTRE-80	80	50.4	24	70	35	29	2	M24 X 1.5	40	12	50	1.6	52
MPTRE-85	85	50	24	69.5	35	29	1.5	M24 X 1.5	40	12	50	1.6	52
MPTRE-90	90	50.4	24	70	35	29	2	M24 X 1.5	40	12	50	1.6	52
MPTRE-100-1	100	50	24	69.5	35	29	1.5	M24 X 1.5	40	12	50	1.6	52
MPTRE-100	100	50.4	24	80	35	29	2	M24 X 1.5	50	12	50	1.6	52
MPTRE-125	125	74	48	105	64	50	1.5	M48 X 5	60	12	89	1.6	76
MPTRE-150	150	74.4	64	140	80	65	2	M64 X 6	82	12	89	1.6	76

# MPTRE Series Track Roller Assembly

Metric - Plain/Cylindrical – Stud Type Eccentric  
Ball & Tapered Roller Bearings



(989)358-6148  
www.pcimfg.com



## ADDITIONAL NOTES

\*For lubricated threads, use half the maximum clamping torque value shown.

DGGB: Deep Groove Ball Bearings – Alloy Steel  
TRB: Tapered Roller Bearings – Alloy Steel

FEATURING ∞ INFINITY ROLLER™ TECHNOLOGY  
Ask About Cost Savings Options (CSO)  
Similar to what other mfg.'s provide

Jam Nut & Lock Washer sets are available at an additional cost.

Specifications subject to change without notice.

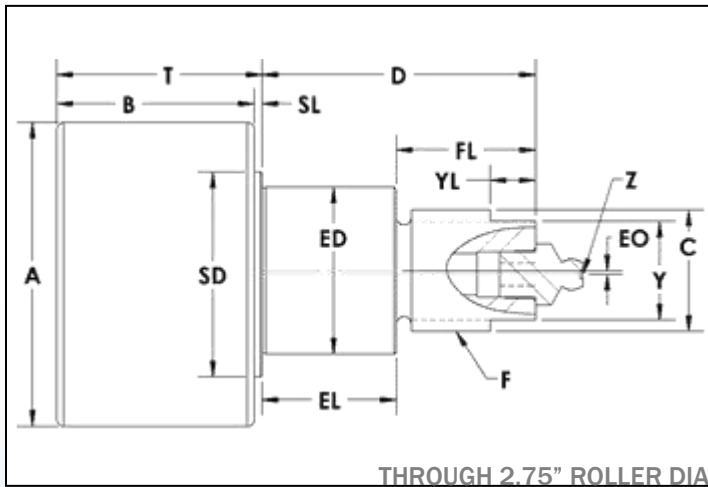
Stud Type Track Roller Part Number	Basic Radial Dynamic Load Rating (N)  C	Basic Radial Static Load Rating (N)  C <sub>s</sub>	Thrust Dynamic Load Rating (N)	Thrust Static Load Rating (N)	Stud Capacity (N)	Retaining Ring Capacity (N)	Max. Clamping Torque (Nm)*	Seal Type	Bearing Type	Approx. Roller Weight (Kg)
MPTRE-26	4,250	2,130	1,470	265	2,600	2,090	20	Rubber Lip	DGGB	0.10
MPTRE-30	4,250	2,130	1,470	265	2,600	2,090	20	Rubber Lip	DGGB	0.11
MPTRE-32	5,470	2,840	1,900	350	4,300	2,090	20	Rubber Lip	DGGB	0.14
MPTRE-35	5,470	2,840	1,900	350	4,300	2,090	20	Rubber Lip	DGGB	0.17
MPTRE-40	11,790	6,200	4,890	1,540	7,400	2,440	20	Rubber Lip	DGGB	0.27
MPTRE-40-1	11,790	6,200	4,890	1,540	7,400	2,440	20	Rubber Lip	DGGB	0.27
MPTRE-47	11,790	6,200	4,890	1,540	7,400	2,440	20	Rubber Lip	DGGB	0.42
MPTRE-50	16,120	9,500	6,950	2,375	20,700	4,000	68	Rubber Lip	DGGB	0.54
MPTRE-52	16,120	9,500	6,950	2,375	20,700	4,000	68	Rubber Lip	DGGB	0.54
MPTRE-62	20,732	13,398	9,236	3,350	21,200	5,960	68	Rubber Lip	DGGB	1.00
MPTRE-62-1	20,732	13,398	9,236	3,350	21,200	5,960	68	Rubber Lip	DGGB	1.00
MPTRE-72	48,300	33,950	17,800	20,330	20,820	-	68	Rubber Dual Lip	TRB	1.40
MPTRE-76	63,600	89,000	25,700	53,400	52,780	-	136	Rubber Dual Lip	TRB	1.90
MPTRE-80	63,600	89,000	25,700	53,400	52,780	-	136	Rubber Dual Lip	TRB	2.00
MPTRE-85	63,600	89,000	25,700	53,400	52,780	-	136	Rubber Dual Lip	TRB	2.40
MPTRE-90	63,600	89,000	25,700	53,400	52,780	-	136	Rubber Dual Lip	TRB	2.70
MPTRE-100-1	63,600	89,000	25,700	53,400	52,780	-	136	Rubber Dual Lip	TRB	3.40
MPTRE-100	63,600	89,000	25,700	53,400	52,780	-	136	Rubber Dual Lip	TRB	3.00
MPTRE-125	159,000	259,700	59,000	142,700	143,500	-	136	Rubber Dual Lip	TRB	3.40
MPTRE-150	159,000	249,000	62,900	146,300	411,900	-	136	Rubber Dual Lip	TRB	13.00

# PTRE-R Series Track Roller Assembly

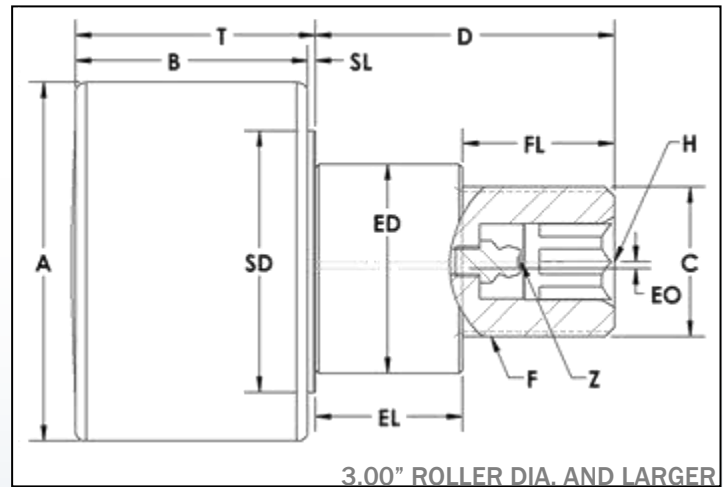
Plain/Cylindrical – Stud Type Eccentric  
Ball & Tapered Roller Bearings - Regreasable



(989)358-6148  
www.pcimfg.com



THROUGH 2.75" ROLLER DIA



3.00" ROLLER DIA. AND LARGER

Stud Type Track Roller Part Number	A	B	C	D	ED	EL	EO	F	FL	H	SD	SL	T	Y	YL	Z
	Roller Dia. +.000 -.001	Roller Width	Stud Dia.	Stud Length	Ecc Dia +.000 -.002	Ecc Length	Ecc Offset	Thread Size	Thread Length	Hex Size	Shld Dia.	Shoulder Length	Roller Width + Shoulder Length	Wrench Flat	Wrench Flat Length	Lube Size
PTRE-1.00-R	1.000	0.75	0.437	1.00	0.625	0.48	0.03	7/16 - 20	0.52	-	0.7	0.03	0.78	0.312	0.250	1/8 Drive
PTRE-1.125-R	1.125	0.75	0.437	1.00	0.625	0.48	0.03	7/16 - 20	0.52	-	0.7	0.03	0.78	0.312	0.250	1/8 Drive
PTRE-1.25-R	1.250	0.81	0.500	1.25	0.687	0.61	0.03	1/2 - 20	0.65	-	0.8	0.03	0.84	0.375	0.250	1/8 Drive
PTRE-1.375-R	1.375	0.81	0.500	1.25	0.687	0.61	0.03	1/2 - 20	0.65	-	0.8	0.03	0.84	0.375	0.250	1/8 Drive
PTRE-1.50-R	1.500	1.13	0.625	1.50	0.875	0.73	0.03	5/8 - 18	0.77	-	1.1	0.06	1.19	0.500	0.375	1/4-28 UNF
PTRE-1.75-R	1.750	1.13	0.750	1.75	1.000	0.86	0.03	3/4 - 16	0.90	-	1.3	0.06	1.19	0.625	0.375	1/8-27 NPT
PTRE-2.00-2-R	2.000	1.32	0.875	2.00	1.187	0.98	0.03	7/8 - 14	1.02	-	1.5	0.06	1.38	0.625	0.375	1/8-27 NPT
PTRE-2.00-R	2.000	1.63	0.875	2.00	1.187	0.98	0.03	7/8 - 14	1.02	-	1.5	0.06	1.69	0.625	0.375	1/8-27 NPT
PTRE-2.25-R	2.250	1.63	0.875	2.00	1.187	0.98	0.03	7/8 - 14	1.02	-	1.5	0.06	1.69	0.625	0.375	1/8-27 NPT
PTRE-2.50-R	2.500	1.63	1.000	2.25	1.375	1.11	0.03	1 - 14	1.15	-	1.7	0.06	1.69	0.875	0.375	1/8-27 NPT
PTRE-2.50-10-R	2.500	1.63	1.000	2.25	1.375	1.11	0.03	1 - 14	1.15	-	1.7	0.19	1.81	0.875	0.375	1/8-27 NPT
PTRE-2.50E-R	2.500	1.75	1.000	2.25	1.375	1.11	0.03	1 - 14	1.15	-	1.7	0.06	1.81	0.875	0.375	1/8-27 NPT
PTRE-2.75-R	2.750	1.63	1.000	2.25	1.375	1.11	0.03	1 - 14	1.15	-	1.7	0.06	1.69	0.875	0.375	1/8-27 NPT
PTRE-2.75E-R	2.750	1.75	1.000	2.25	1.375	1.11	0.03	1 - 14	1.15	-	1.7	0.06	1.81	0.875	0.375	1/8-27 NPT
PTRE-3.00A-R	3.000	1.94	1.250	2.50	1.750	1.23	0.06	1 1/4 - 12	1.27	5/8	2.2	0.06	2.00	-	-	1/4-28 UNF
PTRE-3.00-R	3.000	1.94	1.250	2.50	1.750	1.23	0.06	1 1/4 - 12	1.27	5/8	2.2	0.06	2.00	-	-	1/4-28 UNF
PTRE-3.25A-R	3.250	1.94	1.250	2.50	1.750	1.23	0.06	1 1/4 - 12	1.27	5/8	2.2	0.06	2.00	-	-	1/4-28 UNF
PTRE-3.25-R	3.250	1.94	1.250	2.50	1.750	1.23	0.06	1 1/4 - 12	1.27	5/8	2.2	0.06	2.00	-	-	1/4-28 UNF
PTRE-3.50A-R	3.500	1.94	1.250	2.75	1.812	1.36	0.06	1 1/4 - 12	1.40	5/8	2.2	0.06	2.00	-	-	1/4-28 UNF
PTRE-3.50-R	3.500	1.94	1.250	2.75	1.812	1.36	0.06	1 1/4 - 12	1.40	5/8	2.2	0.06	2.00	-	-	1/4-28 UNF
PTRE-4.00A-R	4.000	1.94	1.250	2.75	1.812	1.36	0.06	1 1/4 - 12	1.40	5/8	2.2	0.06	2.00	-	-	1/4-28 UNF
PTRE-4.00-R	4.000	1.94	1.250	2.75	1.812	1.36	0.06	1 1/4 - 12	1.40	5/8	2.2	0.06	2.00	-	-	1/4-28 UNF
PTRE-4.50-R	4.500	1.94	1.250	2.75	1.812	1.36	0.06	1 1/4 - 12	1.40	5/8	2.2	0.06	2.00	-	-	1/4-28 UNF
PTRE-5.00-R	5.000	2.94	2.000	4.50	2.625	2.13	0.06	2 - 12	2.38	5/8	3.3	0.06	3.00	-	-	1/4-28 UNF
PTRE-6.00-R	6.000	2.94	2.500	5.50	3.125	2.88	0.06	2 1/2 - 12	2.63	5/8	3.6	0.06	3.00	-	-	1/4-28 UNF

# PTRE-R Series Track Roller Assembly

Plain/Cylindrical – Stud Type Eccentric  
Ball & Tapered Roller Bearings - Regreasable



(989)358-6148  
www.pcimfg.com



## ADDITIONAL NOTES

\*For lubricated threads, use half the maximum clamping torque value shown.

DGBB: Deep Groove Ball Bearings – Alloy Steel  
TRB: Tapered Roller Bearings – Alloy Steel

FEATURING ∞ INFINITY ROLLER™ TECHNOLOGY

Jam Nut & Lock Washer sets are available at an additional cost.

Specifications subject to change without notice.

Stud Type Track Roller Part Number	Basic Radial Dynamic Load Rating (lbs) C	Basic Radial Static Load Rating (lbs) Co	Thrust Dynamic Load Rating (lbs)	Thrust Static Load Rating (lbs)	Stud Capacity (lbs)	Retaining Ring Capacity (lbs)	Max. Clamping Torque (in-lbs)*	Seal Type	Bearing Type	Approx. Roller Weight (lbs)
PTRE-1.00-R	956	480	331	60	530	470	250	Rubber Lip	DGBB	0.20
PTRE-1.125-R	956	480	331	60	530	470	250	Rubber Lip	DGBB	0.24
PTRE-1.25-R	1,231	640	430	80	940	470	250	Rubber Lip	DGBB	0.32
PTRE-1.375-R	1,231	640	430	80	940	470	250	Rubber Lip	DGBB	0.37
PTRE-1.50-R	2,651	1,394	1,101	348	1,680	550	650	Rubber Lip	DGBB	0.63
PTRE-1.75-R	2,651	1,394	1,101	348	1,680	550	650	Rubber Lip	DGBB	0.96
PTRE-2.00-2-R	3,624	2,136	1,563	534	3,710	900	650	Rubber Lip	DGBB	1.52
PTRE-2.00-R	3,624	2,136	1,563	534	4,660	900	650	Rubber Lip	DGBB	1.68
PTRE-2.25-R	3,624	2,136	1,563	534	4,660	900	650	Rubber Lip	DGBB	2.07
PTRE-2.50-R	5,390	3,507	2,407	877	8,470	1,340	650	Rubber Lip	DGBB	2.48
PTRE-2.50-10-R	5,390	3,507	2,407	877	7,910	1,340	650	Rubber Lip	DGBB	2.40
PTRE-2.50E-R	10,880	7,630	4,010	4,570	7,910	-	1,500	Rubber Dual Lip	TRB	2.67
PTRE-2.75-R	5,390	3,507	2,407	877	8,470	1,340	650	Rubber Lip	DGBB	3.08
PTRE-2.75E-R	10,880	7,630	4,010	4,570	7,910	-	1,500	Rubber Dual Lip	TRB	3.17
PTRE-3.00A-R	7,393	5,036	3,358	1,259	13,980	1,950	1,500	Rubber Lip	DGBB	4.53
PTRE-3.00-R	14,300	20,000	5,790	12,000	13,980	-	1,500	Rubber Dual Lip	TRB	4.62
PTRE-3.25A-R	7,393	5,036	3,358	1,259	13,980	1,950	1,500	Rubber Lip	DGBB	5.19
PTRE-3.25-R	14,300	20,000	5,790	12,000	13,980	-	1,500	Rubber Dual Lip	TRB	5.31
PTRE-3.50A-R	7,393	5,036	3,358	1,259	13,980	1,950	1,500	Rubber Lip	DGBB	6.10
PTRE-3.50-R	14,300	20,000	5,790	12,000	13,980	-	1,500	Rubber Dual Lip	TRB	6.27
PTRE-4.00A-R	7,393	5,036	3,358	1,259	13,980	1,950	1,500	Rubber Lip	DGBB	7.69
PTRE-4.00-R	14,300	20,000	5,790	12,000	13,980	-	1,500	Rubber Dual Lip	TRB	7.93
PTRE-4.50-R	14,300	20,000	5,790	12,000	13,980	-	1,500	Rubber Dual Lip	TRB	9.42
PTRE-5.00-R	35,870	58,400	13,310	32,100	38,190	-	1,500	Rubber Dual Lip	TRB	20.20
PTRE-6.00-R	35,830	56,200	14,150	32,900	74,580	-	1,500	Rubber Dual Lip	TRB	31.06





# PTRY Series Track Roller Assembly

Plain/Cylindrical – Yoke Type  
Ball & Tapered Roller Bearings



## ADDITIONAL NOTES

DGBB: Deep Groove Ball Bearings – Alloy Steel  
TRB: Tapered Roller Bearings – Alloy Steel

FEATURING ∞ INFINITY ROLLER™ TECHNOLOGY  
Ask About Cost Savings Options (CSO)  
Similar to what other mfg.'s provide

PCI Heavy Duty Yoke Shafts are available at an additional cost. See YSH page for details.

Specifications subject to change without notice.

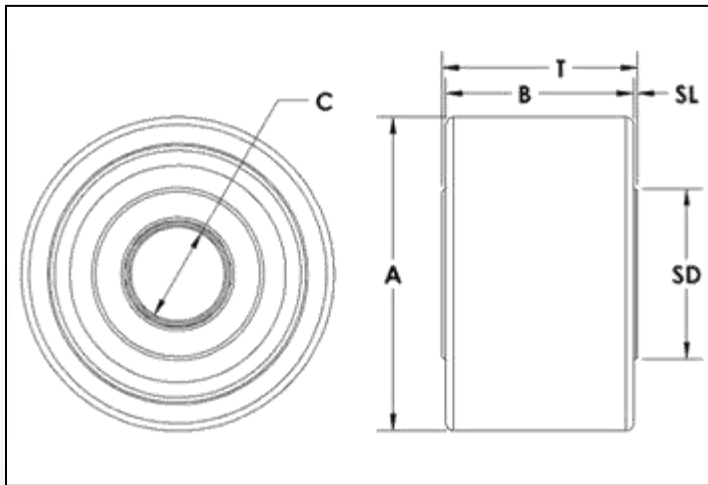
Yoke Type Track Roller Part Number	Basic Radial Dynamic Load Rating (lbs) C	Basic Radial Static Load Rating (lbs) Co	Thrust Dynamic Load Rating (lbs)	Thrust Static Load Rating (lbs)	Seal Type	Bearing Type	Approx. Roller Weight (lbs)
PTRY-1.50	1,683	1,147	764	287	Rubber Lip	DGBB	0.31
PTRY-1.75	1,683	1,147	764	287	Rubber Lip	DGBB	0.51
PTRY-2.00	3,624	2,248	1,591	562	Rubber Lip	DGBB	0.82
PTRY-2.25	3,624	2,248	1,591	562	Rubber Lip	DGBB	1.10
PTRY-2.50	5,390	3,507	2,407	877	Rubber Lip	DGBB	1.59
PTRY-2.50E	10,880	7,630	4,010	4,570	Rubber Dual Lip	TRB	1.62
PTRY-2.75	5,390	3,507	2,407	877	Rubber Lip	DGBB	2.03
PTRY-2.75E	10,880	7,630	4,010	4,570	Rubber Dual Lip	TRB	2.06
PTRY-3.00A	6,118	4,586	2,884	1,147	Rubber Lip	DGBB	2.47
PTRY-3.00	14,300	20,000	5,790	12,000	Rubber Dual Lip	TRB	2.67
PTRY-3.25A	6,118	4,586	2,884	1,147	Rubber Lip	DGBB	3.09
PTRY-3.25	14,300	20,000	5,790	12,000	Rubber Dual Lip	TRB	3.29
PTRY-3.50A	6,483	5,216	3,145	1,304	Rubber Lip	DGBB	4.00
PTRY-3.50	17,600	27,200	5,750	13,100	Rubber Dual Lip	TRB	4.37
PTRY-4.00A	6,483	5,216	3,145	1,304	Rubber Lip	DGBB	6.36
PTRY-4.00	17,600	27,200	5,750	13,100	Rubber Dual Lip	TRB	6.77
PTRY-5.00	35,870	58,400	13,310	32,100	Rubber Dual Lip	TRB	12.55
PTRY-6.00	35,830	56,200	14,150	32,900	Rubber Dual Lip	TRB	19.77
PTRY-7.00	42,400	79,800	17,400	48,400	Rubber Lip	TRB	30.29
PTRY-8.00	83,700	159,800	39,000	110,000	Rubber Lip	TRB	44.84
PTRY-9.00	134,600	250,000	53,600	147,000	Rubber Lip	TRB	62.76
PTRY-10.00	137,300	276,000	62,000	194,000	Rubber Lip	TRB	84.24
PTRY-12.00	137,300	276,000	62,000	194,000	Rubber Lip	TRB	135.15
PTRY-14.00	137,300	276,000	62,000	194,000	Rubber Lip	TRB	194.78
PTRY-16.00	137,300	276,000	62,000	194,000	Rubber Lip	TRB	263.59
PTRY-18.00	137,300	276,000	62,000	194,000	Rubber Lip	TRB	341.58
PTRY-20.00	137,300	276,000	62,000	194,000	Rubber Lip	TRB	428.74

# MPTRY Series Track Roller Assembly

Metric - Plain/Cylindrical - Yoke Type  
Ball & Tapered Roller Bearings



(989)358-6148  
www.pcimfg.com



FEATURING  
∞ INFINITY ROLLER™  
TECHNOLOGY

Ask About Cost Savings Options (CSO)  
Similar to what other mfg.'s provide

Yoke Type Track Roller Part Numer	A	B	C	SD	SL	T
	Roller Dia. +.00 -.03 (mm)	Roller Width (mm)	Bore Dia. +.03 -.00 (mm)	Shoulder Dia. (mm)	Shoulder Length (mm)	Inner Race Width +.13 -.25 (mm)
MPTRY-40	40	22	10	22	0.5	23
MPTRY-50	50	32	15	28	0.5	33
MPTRY-62	62	38	19	35	1	40
MPTRY-62-1	62	38	20	35	1	40
MPTRY-62E	62	38	20	32	1	40
MPTRY-72	72	38	19	35	1	40
MPTRY-76	76	44	25	45	1	46
MPTRY-80	80	44	25	45	1	46
MPTRY-85	85	44	25	45	1	46
MPTRY-90	90	54	30	57	1	56
MPTRY-100	100	54	30	57	1	56
MPTRY-125	125	68	45	83	1.5	71
MPTRY-150	150	70	55	89	1.5	73
MPTRY-200	200	76	70	108	1.5	79
MPTRY-250	250	76	70	108	1.5	79

Optional PCI Yoke Shaft	Optional PCI Eccentric Yoke Shaft
MYSH-10	MYSHE-10
MYSH-15	MYSHE-15
MYSH-19	MYSHE-19
MYSH-20	MYSHE-20
MYSH-20	MYSHE-20
MYSH-19	MYSHE-19
MYSH-25	MYSHE-25
MYSH-25	MYSHE-25
MYSH-25	MYSHE-25
MYSH-30	MYSHE-30
MYSH-30	MYSHE-30
MYSH-45	MYSHE-45
MYSH-55	MYSHE-55
MYSH-70	MYSHE-70
MYSH-70	MYSHE-70

# MPTRY Series Track Roller Assembly

Metric - Plain/Cylindrical – Yoke Type  
Ball & Tapered Roller Bearings



(989)358-6148  
www.pcimfg.com



## ADDITIONAL NOTES

DGGB: Deep Groove Ball Bearings – Alloy Steel  
TRB: Tapered Roller Bearings – Alloy Steel

FEATURING ∞ INFINITY ROLLER™ TECHNOLOGY  
Ask About Cost Savings Options (CSO)  
Similar to what other mfg.'s provide

PCI Heavy Duty Yoke Shafts are available at an additional cost. See YSH page for details.

Specifications subject to change without notice.

Roller Diameter (mm)	Basic Radial Dynamic Load Rating (N) C	Basic Radial Static Load Rating (N) Co	Thrust Dynamic Load Rating (N)	Thrust Static Load Rating (N)	Seal Type	Bearing Type	Approx. Roller Weight (Kg)
MPTRY-40	7,480	5,100	3,390	1,270	Rubber Lip	DGGB	0.16
MPTRY-50	16,120	10,000	7,077	2,500	Rubber Lip	DGGB	0.35
MPTRY-62	19,270	13,100	8,750	3,270	Rubber Lip	DGGB	0.66
MPTRY-62-1	19,270	13,100	8,750	3,270	Rubber Lip	DGGB	0.65
MPTRY-62E	48,350	33,940	17,837	20,328	Rubber Dual Lip	TRB	1.62
MPTRY-72	23,970	15,600	10,700	3,900	Rubber Lip	DGGB	0.97
MPTRY-76	63,600	89,000	25,700	53,400	Rubber Dual Lip	TRB	1.17
MPTRY-80	63,600	89,000	25,700	53,400	Rubber Dual Lip	TRB	1.34
MPTRY-85	63,600	89,000	25,700	53,400	Rubber Dual Lip	TRB	1.56
MPTRY-90	78,200	120,990	25,570	58,270	Rubber Dual Lip	TRB	2.08
MPTRY-100	78,200	120,990	25,570	58,270	Rubber Dual Lip	TRB	2.70
MPTRY-125	159,000	259,700	59,000	142,700	Rubber Dual Lip	TRB	5.19
MPTRY-150	159,000	249,000	62,900	146,300	Rubber Dual Lip	TRB	7.28
MPTRY-200	257,000	366,000	108,000	131,000	Metallic Shield	TRB	14.30
MPTRY-250	257,000	366,000	108,000	131,000	Metallic Shield	TRB	24.64



# PTRY-R Series Track Roller Assembly

Plain/Cylindrical – Yoke Type

Ball & Tapered Roller Bearings - Regreasable



(989)358-6148  
www.pcimfg.com



## ADDITIONAL NOTES

DGBB: Deep Groove Ball Bearings – Alloy Steel  
TRB: Tapered Roller Bearings – Alloy Steel

FEATURING ∞ INFINITY ROLLER™ TECHNOLOGY

PCI Heavy Duty Yoke Shafts are available at an additional cost. See YSH page for details.

Specifications subject to change without notice.

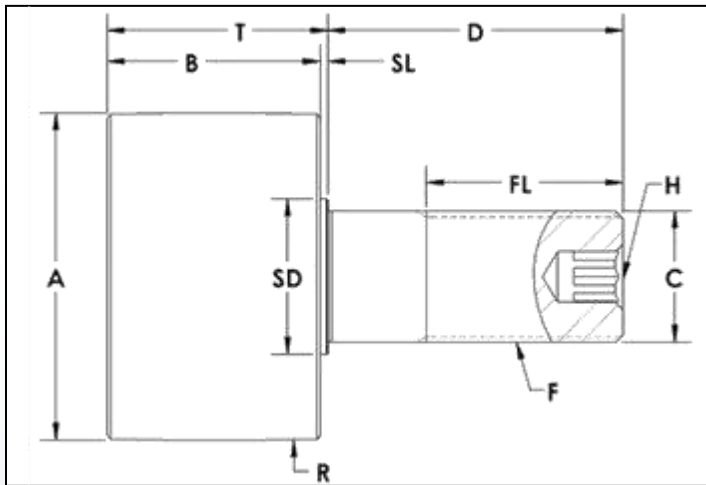
Yoke Type Track Roller Part Number	Basic Radial Dynamic Load Rating (lbs) C	Basic Radial Static Load Rating (lbs) Co	Thrust Dynamic Load Rating (lbs)	Thrust Static Load Rating (lbs)	Seal Type	Bearing Type	Approx. Roller Weight (lbs)
PTRY-1.50-R	1,683	1,147	764	287	Rubber Lip	DGBB	0.31
PTRY-1.75-R	1,683	1,147	764	287	Rubber Lip	DGBB	0.51
PTRY-2.00-R	3,624	2,248	1,591	562	Rubber Lip	DGBB	0.82
PTRY-2.25-R	3,624	2,248	1,591	562	Rubber Lip	DGBB	1.10
PTRY-2.50-R	5,390	3,507	2,407	877	Rubber Lip	DGBB	1.59
PTRY-2.50E-R	10,880	7,630	4,010	4,570	Rubber Dual Lip	TRB	1.62
PTRY-2.75-R	5,390	3,507	2,407	877	Rubber Lip	DGBB	2.03
PTRY-2.75E-R	10,880	7,630	4,010	4,570	Rubber Dual Lip	TRB	2.06
PTRY-3.00A-R	6,118	4,586	2,884	1,147	Rubber Lip	DGBB	2.47
PTRY-3.00-R	14,300	20,000	5,790	12,000	Rubber Dual Lip	TRB	2.67
PTRY-3.25A-R	6,118	4,586	2,884	1,147	Rubber Lip	DGBB	3.09
PTRY-3.25-R	14,300	20,000	5,790	12,000	Rubber Dual Lip	TRB	3.29
PTRY-3.50A-R	6,483	5,216	3,145	1,304	Rubber Lip	DGBB	4.00
PTRY-3.50-R	17,600	27,200	5,750	13,100	Rubber Dual Lip	TRB	4.37
PTRY-4.00A-R	6,483	5,216	3,145	1,304	Rubber Lip	DGBB	6.36
PTRY-4.00-R	17,600	27,200	5,750	13,100	Rubber Dual Lip	TRB	6.77
PTRY-5.00-R	35,870	58,400	13,310	32,100	Rubber Dual Lip	TRB	12.55
PTRY-6.00-R	35,830	56,200	14,150	32,900	Rubber Dual Lip	TRB	19.77
PTRY-7.00-R	42,400	79,800	17,400	48,400	Rubber Lip	TRB	30.29
PTRY-8.00-R	83,700	159,800	39,000	110,000	Rubber Lip	TRB	44.84
PTRY-9.00-R	134,600	250,000	53,600	147,000	Rubber Lip	TRB	62.76
PTRY-10.00-R	137,300	276,000	62,000	194,000	Rubber Lip	TRB	84.24
PTRY-12.00-R	137,300	276,000	62,000	194,000	Rubber Lip	TRB	135.15
PTRY-14.00-R	137,300	276,000	62,000	194,000	Rubber Lip	TRB	194.78
PTRY-16.00-R	137,300	276,000	62,000	194,000	Rubber Lip	TRB	263.59
PTRY-18.00-R	137,300	276,000	62,000	194,000	Rubber Lip	TRB	341.58
PTRY-20.00-R	137,300	276,000	62,000	194,000	Rubber Lip	TRB	428.74

# CTR Series Track Roller Assembly

Crowned/Spherical – Stud Type Concentric  
Ball & Tapered Roller Bearings



(989)358-6148  
www.pcimfg.com



FEATURING  
∞ INFINITY ROLLER™  
TECHNOLOGY

Ask About Cost Savings Options (CSO)  
Similar to what other mfg.'s provide

Stud Type Track Roller Part Number	A Roller Dia. +0.000 -0.001	B Roller Width	C Stud Dia. +0.000 -0.001	D Stud Length	F Thread Size	FL Thread Length	H Hex Size	R Crown Radius	SD Shoulder Dia.	SL Shoulder Length	T Roller Width + Shoulder Length
CTR-1.00	1.000	0.75	0.437	1.00	7/16 - 20	0.50	3/16	12	0.5	0.03	0.78
CTR-1.125	1.125	0.75	0.437	1.00	7/16 - 20	0.50	3/16	12	0.5	0.03	0.78
CTR-1.25	1.250	0.81	0.500	1.25	1/2 - 20	0.63	3/16	14	0.6	0.03	0.84
CTR-1.375	1.375	0.81	0.500	1.25	1/2 - 20	0.63	3/16	14	0.6	0.03	0.84
CTR-1.50	1.500	1.13	0.625	1.50	5/8 - 18	0.75	5/16	20	0.8	0.06	1.19
CTR-1.75-5	1.750	1.13	0.500	0.88	1/2 - 13	0.75	-	20	.625(HEX)	0.32	1.44
CTR-1.75	1.750	1.13	0.750	1.75	3/4 - 16	0.88	5/16	20	0.9	0.06	1.19
CTR-2.00-2	2.000	1.32	0.875	2.00	7/8 - 14	1.13	5/16	24	1.0	0.06	1.38
CTR-2.00	2.000	1.63	0.875	2.00	7/8 - 14	1.13	5/16	24	1.0	0.06	1.69
CTR-2.25	2.250	1.63	0.875	2.00	7/8 - 14	1.13	5/16	24	1.0	0.06	1.69
CTR-2.50	2.500	1.63	1.000	2.25	1 - 14	1.50	3/8	30	1.2	0.06	1.69
CTR-2.50-10	2.500	1.63	1.000	2.25	1 - 14	1.50	3/8	30	1.2	0.19	1.81
CTR-2.50E	2.500	1.75	1.000	2.25	1 - 14	1.50	3/8	30	1.3	0.06	1.81
CTR-2.75	2.750	1.63	1.000	2.25	1 - 14	1.50	3/8	30	1.2	0.06	1.69
CTR-2.75E	2.750	1.75	1.000	2.25	1 - 14	1.50	3/8	30	1.3	0.06	1.81
CTR-3.00A	3.000	1.94	1.250	2.50	1 1/4 - 12	1.75	1/2	30	1.5	0.06	2.00
CTR-3.00	3.000	1.94	1.250	2.50	1 1/4 - 12	1.75	1/2	30	1.8	0.06	2.00
CTR-3.25A	3.250	1.94	1.250	2.50	1 1/4 - 12	1.75	1/2	30	1.5	0.06	2.00
CTR-3.25	3.250	1.94	1.250	2.50	1 1/4 - 12	1.75	1/2	30	1.8	0.06	2.00
CTR-3.50A	3.500	1.94	1.250	2.75	1 1/4 - 12	1.75	1/2	30	1.5	0.06	2.00
CTR-3.50	3.500	1.94	1.250	2.75	1 1/4 - 12	1.75	1/2	30	1.8	0.06	2.00
CTR-4.00A	4.000	1.94	1.250	2.75	1 1/4 - 12	1.75	1/2	30	1.5	0.06	2.00
CTR-4.00	4.000	1.94	1.250	2.75	1 1/4 - 12	1.75	1/2	30	1.8	0.06	2.00
CTR-4.50	4.500	1.94	1.250	2.75	1 1/4 - 12	1.75	1/2	30	1.8	0.06	2.00
CTR-5.00	5.000	2.94	2.000	4.50	2 - 12	2.50	5/8	48	3.0	0.06	3.00
CTR-6.00	6.000	2.94	2.500	5.50	2 1/2 - 12	3.25	5/8	56	3.5	0.06	3.00
CTR-7.00	7.000	2.94	2.500	5.50	2 1/2 - 12	3.25	5/8	56	3.5	0.06	3.00
CTR-8.00	8.000	2.94	2.500	5.50	2 1/2 - 12	3.25	5/8	56	3.5	0.06	3.00
CTR-10.00	10.000	2.94	2.500	5.50	2 1/2 - 12	3.25	5/8	56	3.5	0.06	3.00
CTR-10.00-8	10.000	4.87	4.250	9.00	3 1/2 - 4	4.00	5/8	40	5.0	0.13	5.00

# CTR Series Track Roller Assembly

Crowned/Spherical – Stud Type Concentric  
Ball & Tapered Roller Bearings



(989)358-6148  
www.pcimfg.com



## ADDITIONAL NOTES

\*For lubricated threads, use half the maximum clamping torque value shown.

DGBB: Deep Groove Ball Bearings – Alloy Steel  
TRB: Tapered Roller Bearings – Alloy Steel

FEATURING ∞ INFINITY ROLLER™ TECHNOLOGY  
Ask About Cost Savings Options (CSO)  
Similar to what other mfg.'s provide

Jam Nut & Lock Washer sets are available at an additional cost.

Specifications subject to change without notice.

Stud Type Track Roller Part Number	Basic Radial Dynamic Load Rating (lbs) C	Basic Radial Static Load Rating (lbs) Co	Thrust Dynamic Load Rating (lbs)	Thrust Static Load Rating (lbs)	Stud Capacity (lbs)	Retaining Ring Capacity (lbs)	Max. Clamping Torque (in-lbs)*	Seal Type	Bearing Type	Approx. Roller Weight (lbs)
CTR-1.00	956	480	331	60	530	470	180	Rubber Lip	DGBB	0.17
CTR-1.125	956	480	331	60	530	470	180	Rubber Lip	DGBB	0.21
CTR-1.25	1,231	640	430	80	930	470	180	Rubber Lip	DGBB	0.28
CTR-1.375	1,231	640	430	80	930	470	180	Rubber Lip	DGBB	0.34
CTR-1.50	2,651	1,394	1,101	348	1,670	550	350	Rubber Lip	DGBB	0.54
CTR-1.75-5	2,651	1,394	1,101	348	1,240	550	650	Rubber Lip	DGBB	0.84
CTR-1.75	2,651	1,394	1,101	348	1,670	550	650	Rubber Lip	DGBB	0.84
CTR-2.00-2	3,624	2,136	1,563	534	3,710	900	650	Rubber Lip	DGBB	1.44
CTR-2.00	3,624	2,136	1,563	534	4,660	900	650	Rubber Lip	DGBB	1.44
CTR-2.25	3,624	2,136	1,563	534	4,660	900	650	Rubber Lip	DGBB	1.76
CTR-2.50	5,390	3,507	2,407	877	8,470	1,340	650	Rubber Lip	DGBB	2.21
CTR-2.50-10	5,390	3,507	2,407	877	7,910	1,340	650	Rubber Lip	DGBB	2.21
CTR-2.50E	10,880	7,630	4,010	4,570	7,910	-	1,500	Rubber Dual Lip	TRB	2.38
CTR-2.75	5,390	3,507	2,407	877	8,470	1,340	650	Rubber Lip	DGBB	2.67
CTR-2.75E	10,880	7,630	4,010	4,570	7,910	-	1,500	Rubber Dual Lip	TRB	2.85
CTR-3.00A	7,393	5,036	3,358	1,259	13,980	1,950	1,500	Rubber Lip	DGBB	3.87
CTR-3.00	14,300	20,000	5,790	12,000	13,980	-	1,500	Rubber Dual Lip	TRB	4.06
CTR-3.25A	7,393	5,036	3,358	1,259	13,980	1,950	1,500	Rubber Lip	DGBB	4.53
CTR-3.25	14,300	20,000	5,790	12,000	13,980	-	1,500	Rubber Dual Lip	TRB	4.72
CTR-3.50A	7,393	5,036	3,358	1,259	13,980	1,950	1,500	Rubber Lip	DGBB	5.33
CTR-3.50	14,300	20,000	5,790	12,000	13,980	-	1,500	Rubber Dual Lip	TRB	5.52
CTR-4.00A	7,393	5,036	3,358	1,259	13,980	1,950	1,500	Rubber Lip	DGBB	6.91
CTR-4.00	14,300	20,000	5,790	12,000	13,980	-	1,500	Rubber Dual Lip	TRB	7.11
CTR-4.50	14,300	20,000	5,790	12,000	13,980	-	1,500	Rubber Dual Lip	TRB	8.91
CTR-5.00	35,870	58,400	13,310	32,100	38,190	-	1,500	Rubber Dual Lip	TRB	18.18
CTR-6.00	35,830	56,200	14,150	32,900	74,580	-	1,500	Rubber Dual Lip	TRB	27.86
CTR-7.00	35,830	56,200	14,150	32,900	74,580	-	1,500	Rubber Dual Lip	TRB	35.11
CTR-8.00	35,830	56,200	14,150	32,900	74,580	-	1,500	Rubber Dual Lip	TRB	45.72
CTR-10.00	35,830	56,200	14,150	32,900	74,580	-	1,500	Rubber Dual Lip	TRB	68.82
CTR-10.00-8	83,700	159,800	39,000	110,000	219,860	-	1,500	Rubber Lip	TRB	126.55

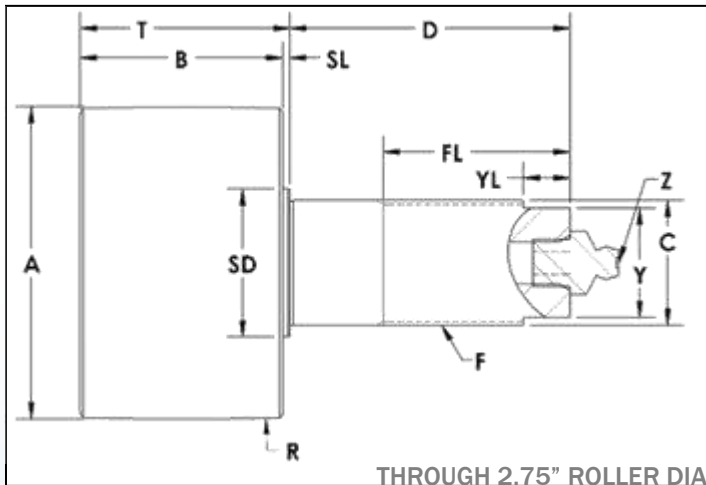


# CTR-R Series Track Roller Assembly

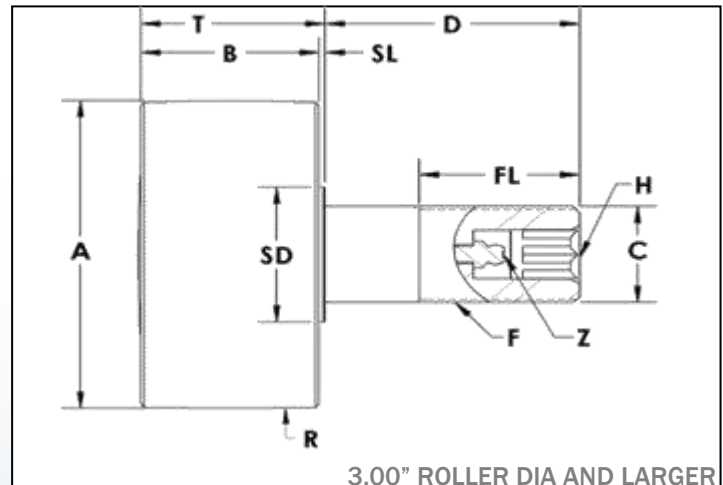
Crowned/Spherical – Stud Type Concentric  
Ball & Tapered Roller Bearings - Regreasable



(989)358-6148  
www.pcimfg.com



THROUGH 2.75" ROLLER DIA



3.00" ROLLER DIA AND LARGER

Stud Type Track Roller Part Number	A	B	C	D	F	FL	H	R	SD	SL	T	Y	YL	Z
	Roller Dia. +.000 -.001	Roller Width	Stud Dia. +.000 -.001	Stud Length	Thread Size	Thread Length	Hex Size	Crown Radius	Shoulder Dia.	Shoulder Length	Roller Width + Shoulder Length	Wrench Flat	Wrench Flat Length	Lube Size
CTR-1.00-R	1.000	0.75	0.437	1.00	7/16 - 20	0.50	-	12	0.5	0.03	0.78	0.312	0.250	1/8 Drive
CTR-1.125-R	1.125	0.75	0.437	1.00	7/16 - 20	0.50	-	12	0.5	0.03	0.78	0.312	0.250	1/8 Drive
CTR-1.25-R	1.250	0.81	0.500	1.25	1/2 - 20	0.63	-	14	0.6	0.03	0.84	0.375	0.250	1/8 Drive
CTR-1.375-R	1.375	0.81	0.500	1.25	1/2 - 20	0.63	-	14	0.6	0.03	0.84	0.375	0.250	1/8 Drive
CTR-1.50-R	1.500	1.13	0.625	1.50	5/8 - 18	0.75	-	20	0.8	0.06	1.19	0.500	0.375	1/4-28 UNF
CTR-1.75-5-R	1.750	1.13	0.500	0.88	1/2 - 13	0.75	-	20	.625(HEx)	0.32	1.44	0.375	0.250	1/8 Drive
CTR-1.75-R	1.750	1.13	0.750	1.75	3/4 - 16	0.88	-	20	0.9	0.06	1.19	0.625	0.375	1/8-27 NPT
CTR-2.00-2-R	2.000	1.32	0.875	2.00	7/8 - 14	1.13	-	24	1.0	0.06	1.38	0.625	0.375	1/8-27 NPT
CTR-2.00-R	2.000	1.63	0.875	2.00	7/8 - 14	1.13	-	24	1.0	0.06	1.69	0.625	0.375	1/8-27 NPT
CTR-2.25-R	2.250	1.63	0.875	2.00	7/8 - 14	1.13	-	24	1.0	0.06	1.69	0.625	0.375	1/8-27 NPT
CTR-2.50-R	2.500	1.63	1.000	2.25	1 - 14	1.50	-	30	1.2	0.06	1.69	0.875	0.375	1/8-27 NPT
CTR-2.50-10-R	2.500	1.63	1.000	2.25	1 - 14	1.50	-	30	1.2	0.19	1.81	0.875	0.375	1/8-27 NPT
CTR-2.50E-R	2.500	1.75	1.000	2.25	1 - 14	1.50	-	30	1.3	0.06	1.81	0.875	0.375	1/8-27 NPT
CTR-2.75-R	2.750	1.63	1.000	2.25	1 - 14	1.50	-	30	1.2	0.06	1.69	0.875	0.375	1/8-27 NPT
CTR-2.75E-R	2.750	1.75	1.000	2.25	1 - 14	1.50	-	30	1.3	0.06	1.81	0.875	0.375	1/8-27 NPT
CTR-3.00A-R	3.000	1.94	1.250	2.50	1 1/4 - 12	1.75	5/8	30	1.5	0.06	2.00	-	-	1/4-28 UNF
CTR-3.00-R	3.000	1.94	1.250	2.50	1 1/4 - 12	1.75	5/8	30	1.8	0.06	2.00	-	-	1/4-28 UNF
CTR-3.25A-R	3.250	1.94	1.250	2.50	1 1/4 - 12	1.75	5/8	30	1.5	0.06	2.00	-	-	1/4-28 UNF
CTR-3.25-R	3.250	1.94	1.250	2.50	1 1/4 - 12	1.75	5/8	30	1.8	0.06	2.00	-	-	1/4-28 UNF
CTR-3.50A-R	3.500	1.94	1.250	2.75	1 1/4 - 12	1.75	5/8	30	1.5	0.06	2.00	-	-	1/4-28 UNF
CTR-3.50-R	3.500	1.94	1.250	2.75	1 1/4 - 12	1.75	5/8	30	1.8	0.06	2.00	-	-	1/4-28 UNF
CTR-4.00A-R	4.000	1.94	1.250	2.75	1 1/4 - 12	1.75	5/8	30	1.5	0.06	2.00	-	-	1/4-28 UNF
CTR-4.00-R	4.000	1.94	1.250	2.75	1 1/4 - 12	1.75	5/8	30	1.8	0.06	2.00	-	-	1/4-28 UNF
CTR-4.50-R	4.500	1.94	1.250	2.75	1 1/4 - 12	1.75	5/8	30	1.8	0.06	2.00	-	-	1/4-28 UNF
CTR-5.00-R	5.000	2.94	2.000	4.50	2 - 12	2.50	5/8	48	3.0	0.06	3.00	-	-	1/4-28 UNF
CTR-6.00-R	6.000	2.94	2.500	5.50	2 1/2 - 12	3.25	5/8	56	3.5	0.06	3.00	-	-	1/4-28 UNF
CTR-7.00-R	7.000	2.94	2.500	5.50	2 1/2 - 12	3.25	5/8	56	3.5	0.06	3.00	-	-	1/4-28 UNF
CTR-8.00-R	8.000	2.94	2.500	5.50	2 1/2 - 12	3.25	5/8	56	3.5	0.06	3.00	-	-	1/4-28 UNF
CTR-10.00-R	10.000	2.94	2.500	5.50	2 1/2 - 12	3.25	5/8	56	3.5	0.06	3.00	-	-	1/4-28 UNF

# CTR-R Series Track Roller Assembly

Crowned/Spherical – Stud Type Concentric  
Ball & Tapered Roller Bearings - Regreasable



(989)358-6148  
www.pcimfg.com



## ADDITIONAL NOTES

\*For lubricated threads, use half the maximum clamping torque value shown.

DGGB: Deep Groove Ball Bearings – Alloy Steel  
TRB: Tapered Roller Bearings – Alloy Steel

FEATURING ∞ INFINITY ROLLER™ TECHNOLOGY

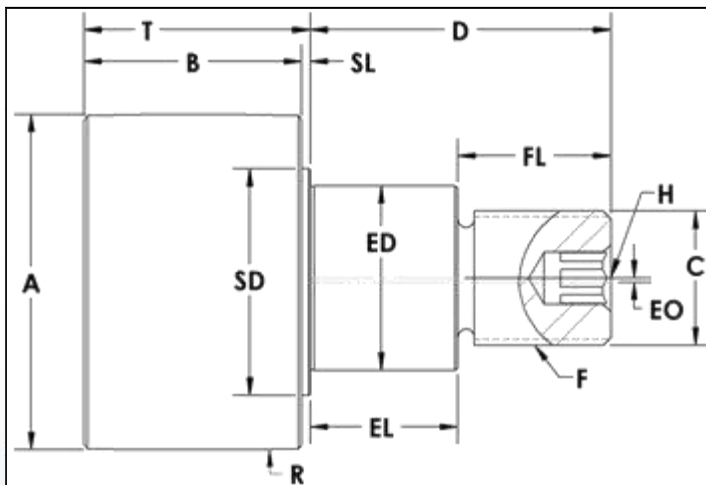
Jam Nut & Lock Washer sets are available at an additional cost.

Specifications subject to change without notice.

Stud Type Track Roller Part Number	Basic Radial Dynamic Load Rating (lbs) C	Basic Radial Static Load Rating (lbs) Co	Thrust Dynamic Load Rating (lbs)	Thrust Static Load Rating (lbs)	Stud Capacity (lbs)	Retaining Ring Capacity (lbs)	Max. Clamping Torque (in-lbs)*	Seal Type	Bearing Type	Approx. Roller Weight (lbs)
CTR-1.00-R	956	480	331	60	530	470	180	Rubber Lip	DGGB	0.17
CTR-1.125-R	956	480	331	60	530	470	180	Rubber Lip	DGGB	0.21
CTR-1.25-R	1,231	640	430	80	930	470	180	Rubber Lip	DGGB	0.28
CTR-1.375-R	1,231	640	430	80	930	470	180	Rubber Lip	DGGB	0.34
CTR-1.50-R	2,651	1,394	1,101	348	1,680	550	350	Rubber Lip	DGGB	0.54
CTR-1.75-5-R	2,651	1,394	1,101	348	1,240	550	650	Rubber Lip	DGGB	0.84
CTR-1.75-R	2,651	1,394	1,101	348	1,670	550	650	Rubber Lip	DGGB	0.84
CTR-2.00-2-R	3,624	2,136	1,563	534	3,710	900	650	Rubber Lip	DGGB	1.44
CTR-2.00-R	3,624	2,136	1,563	534	4,660	900	650	Rubber Lip	DGGB	1.44
CTR-2.25-R	3,624	2,136	1,563	534	4,660	900	650	Rubber Lip	DGGB	1.76
CTR-2.50-R	5,390	3,507	2,407	877	8,470	1,340	650	Rubber Lip	DGGB	2.21
CTR-2.50-10-R	5,390	3,507	2,407	877	7,910	1,340	650	Rubber Lip	DGGB	2.21
CTR-2.50E-R	10,880	7,630	4,010	4,570	7,910	-	1,500	Rubber Dual Lip	TRB	2.38
CTR-2.75-R	5,390	3,507	2,407	877	8,470	1,340	650	Rubber Lip	DGGB	2.67
CTR-2.75E-R	10,880	7,630	4,010	4,570	7,910	-	1,500	Rubber Dual Lip	TRB	2.85
CTR-3.00A-R	7,393	5,036	3,358	1,259	13,980	1,950	1,500	Rubber Lip	DGGB	3.87
CTR-3.00-R	14,300	20,000	5,790	12,000	13,980	-	1,500	Rubber Dual Lip	TRB	4.06
CTR-3.25A-R	7,393	5,036	3,358	1,259	13,980	1,950	1,500	Rubber Lip	DGGB	4.53
CTR-3.25-R	14,300	20,000	5,790	12,000	13,980	-	1,500	Rubber Dual Lip	TRB	4.72
CTR-3.50A-R	7,393	5,036	3,358	1,259	13,980	1,950	1,500	Rubber Lip	DGGB	5.33
CTR-3.50-R	14,300	20,000	5,790	12,000	13,980	-	1,500	Rubber Dual Lip	TRB	5.52
CTR-4.00A-R	7,393	5,036	3,358	1,259	13,980	1,950	1,500	Rubber Lip	DGGB	6.91
CTR-4.00-R	14,300	20,000	5,790	12,000	13,980	-	1,500	Rubber Dual Lip	TRB	7.11
CTR-4.50-R	14,300	20,000	5,790	12,000	13,980	-	1,500	Rubber Dual Lip	TRB	8.91
CTR-5.00-R	35,870	58,400	13,310	32,100	38,190	-	1,500	Rubber Dual Lip	TRB	18.18
CTR-6.00-R	35,830	56,200	14,150	32,900	74,580	-	1,500	Rubber Dual Lip	TRB	27.86
CTR-7.00-R	35,830	56,200	14,150	32,900	74,580	-	1,500	Rubber Dual Lip	TRB	35.11
CTR-8.00-R	35,830	56,200	14,150	32,900	74,580	-	1,500	Rubber Dual Lip	TRB	45.72
CTR-10.00-R	35,830	56,200	14,150	32,900	74,580	-	1,500	Rubber Dual Lip	TRB	68.82

# CTRE Series Track Roller Assembly

Crowned/Spherical – Stud Type Eccentric  
Ball & Tapered Roller Bearings



**FEATURING**  
**∞ INFINITY ROLLER™**  
**TECHNOLOGY**

Ask About Cost Savings Options (CSO)  
Similar to what other mfg.'s provide

Stud Type Track Roller Part Number	A	B	C	D	ED	EL	EO	F	FL	H	R	SD	SL	T
	Roller Dia. +0.000 -0.001	Roller Width	Stud Dia.	Stud Length	Ecc Dia +0.000 -0.002	Ecc Length	Ecc Offset	Thread Size	Thread Length	Hex Size	Crown Radius	Shld Dia.	Shoulder Length	Roller Width + Shoulder Length
CTRE-1.00	1.000	0.75	0.437	1.00	0.625	0.48	0.03	7/16 - 20	0.52	3/16	12	0.7	0.03	0.78
CTRE-1.125	1.125	0.75	0.437	1.00	0.625	0.48	0.03	7/16 - 20	0.52	3/16	12	0.7	0.03	0.78
CTRE-1.25	1.250	0.81	0.500	1.25	0.687	0.61	0.03	1/2 - 20	0.65	3/16	14	0.8	0.03	0.84
CTRE-1.375	1.375	0.81	0.500	1.25	0.687	0.61	0.03	1/2 - 20	0.65	3/16	14	0.8	0.03	0.84
CTRE-1.50	1.500	1.13	0.625	1.50	0.875	0.73	0.03	5/8 - 18	0.77	5/16	20	1.1	0.06	1.19
CTRE-1.75	1.750	1.13	0.750	1.75	1.000	0.86	0.03	3/4 - 16	0.90	5/16	20	1.3	0.06	1.19
CTRE-2.00-2	2.000	1.32	0.875	2.00	1.187	0.98	0.03	7/8 - 14	1.02	5/16	24	1.5	0.06	1.38
CTRE-2.00	2.000	1.63	0.875	2.00	1.187	0.98	0.03	7/8 - 14	1.02	5/16	24	1.5	0.06	1.69
CTRE-2.25	2.250	1.63	0.875	2.00	1.187	0.98	0.03	7/8 - 14	1.02	5/16	24	1.5	0.06	1.69
CTRE-2.50	2.500	1.63	1.000	2.25	1.375	1.11	0.03	1 - 14	1.15	3/8	30	1.7	0.06	1.69
CTRE-2.50-10	2.500	1.63	1.000	2.25	1.375	1.11	0.03	1 - 14	1.15	3/8	30	1.7	0.19	1.81
CTRE-2.50E	2.500	1.75	1.000	2.25	1.375	1.11	0.03	1 - 14	1.15	3/8	30	1.7	0.06	1.81
CTRE-2.75	2.750	1.63	1.000	2.25	1.375	1.11	0.03	1 - 14	1.15	3/8	30	1.7	0.06	1.69
CTRE-2.75E	2.750	1.75	1.000	2.25	1.375	1.11	0.03	1 - 14	1.15	3/8	30	1.7	0.06	1.81
CTRE-3.00A	3.000	1.94	1.250	2.50	1.750	1.23	0.06	1 1/4 - 12	1.27	1/2	30	2.2	0.06	2.00
CTRE-3.00	3.000	1.94	1.250	2.50	1.750	1.23	0.06	1 1/4 - 12	1.27	1/2	30	2.2	0.06	2.00
CTRE-3.25A	3.250	1.94	1.250	2.50	1.750	1.23	0.06	1 1/4 - 12	1.27	1/2	30	2.2	0.06	2.00
CTRE-3.25	3.250	1.94	1.250	2.50	1.750	1.23	0.06	1 1/4 - 12	1.27	1/2	30	2.2	0.06	2.00
CTRE-3.50A	3.500	1.94	1.250	2.75	1.812	1.36	0.06	1 1/4 - 12	1.40	1/2	30	2.2	0.06	2.00
CTRE-3.50	3.500	1.94	1.250	2.75	1.812	1.36	0.06	1 1/4 - 12	1.40	1/2	30	2.2	0.06	2.00
CTRE-4.00A	4.000	1.94	1.250	2.75	1.812	1.36	0.06	1 1/4 - 12	1.40	1/2	30	2.2	0.06	2.00
CTRE-4.00	4.000	1.94	1.250	2.75	1.812	1.36	0.06	1 1/4 - 12	1.40	1/2	30	2.2	0.06	2.00
CTRE-4.50	4.500	1.94	1.250	2.75	1.812	1.36	0.06	1 1/4 - 12	1.40	1/2	30	2.2	0.06	2.00
CTRE-5.00	5.000	2.94	2.000	4.50	2.625	2.13	0.06	2 - 12	2.38	5/8	48	3.3	0.06	3.00
CTRE-6.00	6.000	2.94	2.500	5.50	3.125	2.88	0.06	2 1/2 - 12	2.63	5/8	56	3.6	0.06	3.00

# CTRE Series Track Roller Assembly

Crowned/Spherical – Stud Type Eccentric  
Ball & Tapered Roller Bearings



(989)358-6148  
www.pcimfg.com



## ADDITIONAL NOTES

\*For lubricated threads, use half the maximum clamping torque value shown.

DGGB: Deep Groove Ball Bearings – Alloy Steel  
TRB: Tapered Roller Bearings – Alloy Steel

FEATURING ∞ INFINITY ROLLER™ TECHNOLOGY  
Ask About Cost Savings Options (CSO)  
Similar to what other mfg.'s provide

Jam Nut & Lock Washer sets are available at an additional cost.

Specifications subject to change without notice.

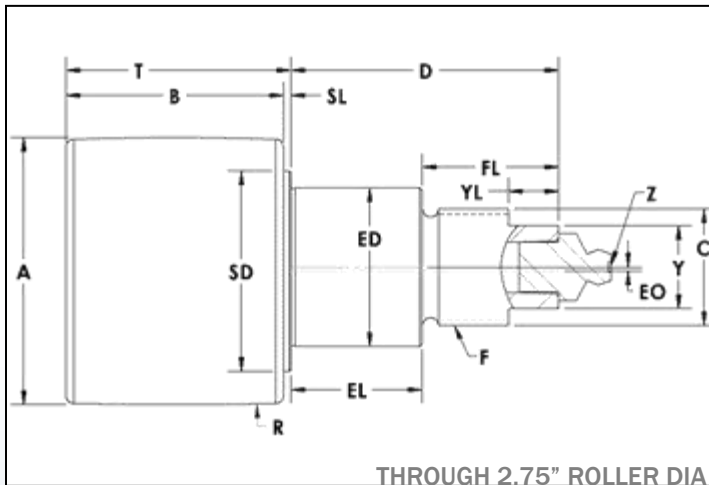
Stud Type Track Roller Part Number	Basic Radial Dynamic Load Rating (lbs) C	Basic Radial Static Load Rating (lbs) Co	Thrust Dynamic Load Rating (lbs)	Thrust Static Load Rating (lbs)	Stud Capacity (lbs)	Retaining Ring Capacity (lbs)	Max. Clamping Torque (in-lbs)*	Seal Type	Bearing Type	Approx. Roller Weight (lbs)
CTRE-1.00	956	480	331	60	530	470	250	Rubber Lip	DGGB	0.20
CTRE-1.125	956	480	331	60	530	470	250	Rubber Lip	DGGB	0.24
CTRE-1.25	1,231	640	430	80	940	470	250	Rubber Lip	DGGB	0.31
CTRE-1.375	1,231	640	430	80	940	470	250	Rubber Lip	DGGB	0.37
CTRE-1.50	2,651	1,394	1,101	348	1,680	550	650	Rubber Lip	DGGB	0.63
CTRE-1.75	2,651	1,394	1,101	348	1,680	550	650	Rubber Lip	DGGB	0.95
CTRE-2.00-2	3,624	2,136	1,563	534	3,710	900	650	Rubber Lip	DGGB	1.62
CTRE-2.00	3,624	2,136	1,563	534	4,660	900	650	Rubber Lip	DGGB	1.62
CTRE-2.25	3,624	2,136	1,563	534	4,660	900	650	Rubber Lip	DGGB	2.00
CTRE-2.50	5,390	3,507	2,407	877	8,470	1,340	650	Rubber Lip	DGGB	2.47
CTRE-2.50-10	5,390	3,507	2,407	877	7,910	1,340	650	Rubber Lip	DGGB	2.47
CTRE-2.50E	10,880	7,630	4,010	4,570	7,910	-	1,500	Rubber Dual Lip	TRB	2.65
CTRE-2.75	5,390	3,507	2,407	877	8,470	1,340	650	Rubber Lip	DGGB	2.93
CTRE-2.75E	10,880	7,630	4,010	4,570	7,910	-	1,500	Rubber Dual Lip	TRB	3.02
CTRE-3.00A	7,393	5,036	3,358	1,259	13,980	1,950	1,500	Rubber Lip	DGGB	4.51
CTRE-3.00	14,300	20,000	5,790	12,000	13,980	-	1,500	Rubber Dual Lip	TRB	4.54
CTRE-3.25A	7,393	5,036	3,358	1,259	13,980	1,950	1,500	Rubber Lip	DGGB	5.17
CTRE-3.25	14,300	20,000	5,790	12,000	13,980	-	1,500	Rubber Dual Lip	TRB	5.20
CTRE-3.50A	7,393	5,036	3,358	1,259	13,980	1,950	1,500	Rubber Lip	DGGB	6.07
CTRE-3.50	14,300	20,000	5,790	12,000	13,980	-	1,500	Rubber Dual Lip	TRB	6.11
CTRE-4.00A	7,393	5,036	3,358	1,259	13,980	1,950	1,500	Rubber Lip	DGGB	7.66
CTRE-4.00	14,300	20,000	5,790	12,000	13,980	-	1,500	Rubber Dual Lip	TRB	7.69
CTRE-4.50	14,300	20,000	5,790	12,000	13,980	-	1,500	Rubber Dual Lip	TRB	9.49
CTRE-5.00	35,870	58,400	13,310	32,100	38,190	-	1,500	Rubber Dual Lip	TRB	19.59
CTRE-6.00	35,830	56,200	14,150	32,900	74,580	-	1,500	Rubber Dual Lip	TRB	30.13

# CTRE-R Series Track Roller Assembly

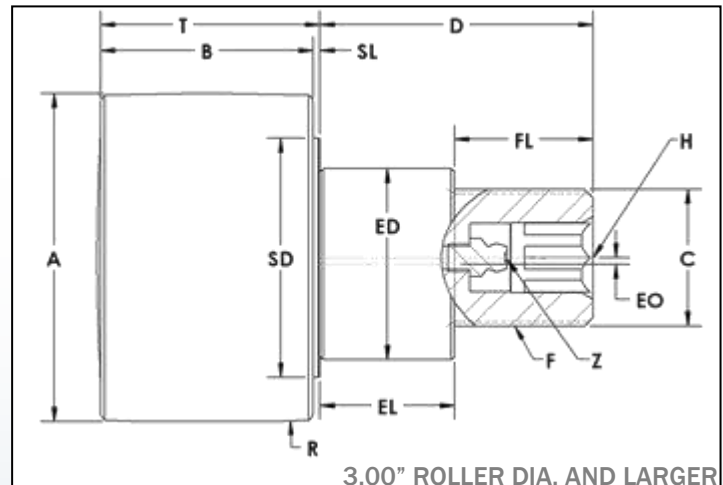
Crowned/Spherical – Stud Type Eccentric  
Ball & Tapered Roller Bearings - Regreasable



(989)358-6148  
www.pcimfg.com



THROUGH 2.75" ROLLER DIA



3.00" ROLLER DIA. AND LARGER

Stud Type Track Roller Part Number	A	B	C	D	ED	EL	EO	F	FL	H	R	SD	SL	T	Y	YL	Z
	Roller Dia. +0.000 -0.001	Roller Width	Stud Dia.	Stud Length	Ecc Dia +0.000 -0.002	Ecc Length	Ecc Offset	Thread Size	Thread Length	Hex Size	Crown Radius	Shld Dia.	Shoulder Length	Roller Width + Shoulder Length	Wrench Flat	Wrench Flat Length	Lube Size
CTRE-1.00-R	1.000	0.75	0.437	1.00	0.625	0.48	0.03	7/16 - 20	0.52	-	12	0.7	0.03	0.78	0.312	0.250	1/8 Drive
CTRE-1.125-R	1.125	0.75	0.437	1.00	0.625	0.48	0.03	7/16 - 20	0.52	-	12	0.7	0.03	0.78	0.312	0.250	1/8 Drive
CTRE-1.25-R	1.250	0.81	0.500	1.25	0.687	0.61	0.03	1/2 - 20	0.65	-	14	0.8	0.03	0.84	0.375	0.250	1/8 Drive
CTRE-1.375-R	1.375	0.81	0.500	1.25	0.687	0.61	0.03	1/2 - 20	0.65	-	14	0.8	0.03	0.84	0.375	0.250	1/8 Drive
CTRE-1.50-R	1.500	1.13	0.625	1.50	0.875	0.73	0.03	5/8 - 18	0.77	-	20	1.1	0.06	1.19	0.500	0.375	1/4-28 UNF
CTRE-1.75-R	1.750	1.13	0.750	1.75	1.000	0.86	0.03	3/4 - 16	0.90	-	20	1.3	0.06	1.19	0.625	0.375	1/8-27 NPT
CTRE-2.00-2-R	2.000	1.32	0.875	2.00	1.187	0.98	0.03	7/8 - 14	1.02	-	24	1.5	0.06	1.38	0.625	0.375	1/8-27 NPT
CTRE-2.00-R	2.000	1.63	0.875	2.00	1.187	0.98	0.03	7/8 - 14	1.02	-	24	1.5	0.06	1.69	0.625	0.375	1/8-27 NPT
CTRE-2.25-R	2.250	1.63	0.875	2.00	1.187	0.98	0.03	7/8 - 14	1.02	-	24	1.5	0.06	1.69	0.625	0.375	1/8-27 NPT
CTRE-2.50-R	2.500	1.63	1.000	2.25	1.375	1.11	0.03	1 - 14	1.15	-	30	1.7	0.06	1.69	0.875	0.375	1/8-27 NPT
CTRE-2.50-10-R	2.500	1.63	1.000	2.25	1.375	1.11	0.03	1 - 14	1.15	-	30	1.7	0.19	1.81	0.875	0.375	1/8-27 NPT
CTRE-2.50E-R	2.500	1.75	1.000	2.25	1.375	1.11	0.03	1 - 14	1.15	-	30	1.7	0.06	1.81	0.875	0.375	1/8-27 NPT
CTRE-2.75-R	2.750	1.63	1.000	2.25	1.375	1.11	0.03	1 - 14	1.15	-	30	1.7	0.06	1.69	0.875	0.375	1/8-27 NPT
CTRE-2.75E-R	2.750	1.75	1.000	2.25	1.375	1.11	0.03	1 - 14	1.15	-	30	1.7	0.06	1.81	0.875	0.375	1/8-27 NPT
CTRE-3.00A-R	3.000	1.94	1.250	2.50	1.750	1.23	0.06	1 1/4 - 12	1.27	5/8	30	2.2	0.06	2.00	-	-	1/4-28 UNF
CTRE-3.00-R	3.000	1.94	1.250	2.50	1.750	1.23	0.06	1 1/4 - 12	1.27	5/8	30	2.2	0.06	2.00	-	-	1/4-28 UNF
CTRE-3.25A-R	3.250	1.94	1.250	2.50	1.750	1.23	0.06	1 1/4 - 12	1.27	5/8	30	2.2	0.06	2.00	-	-	1/4-28 UNF
CTRE-3.25-R	3.250	1.94	1.250	2.50	1.750	1.23	0.06	1 1/4 - 12	1.27	5/8	30	2.2	0.06	2.00	-	-	1/4-28 UNF
CTRE-3.50A-R	3.500	1.94	1.250	2.75	1.812	1.36	0.06	1 1/4 - 12	1.40	5/8	30	2.2	0.06	2.00	-	-	1/4-28 UNF
CTRE-3.50-R	3.500	1.94	1.250	2.75	1.812	1.36	0.06	1 1/4 - 12	1.40	5/8	30	2.2	0.06	2.00	-	-	1/4-28 UNF
CTRE-4.00A-R	4.000	1.94	1.250	2.75	1.812	1.36	0.06	1 1/4 - 12	1.40	5/8	30	2.2	0.06	2.00	-	-	1/4-28 UNF
CTRE-4.00-R	4.000	1.94	1.250	2.75	1.812	1.36	0.06	1 1/4 - 12	1.40	5/8	30	2.2	0.06	2.00	-	-	1/4-28 UNF
CTRE-4.50-R	4.500	1.94	1.250	2.75	1.812	1.36	0.06	1 1/4 - 12	1.40	5/8	30	2.2	0.06	2.00	-	-	1/4-28 UNF
CTRE-5.00-R	5.000	2.94	2.000	4.50	2.625	2.13	0.06	2 - 12	2.38	5/8	48	3.3	0.06	3.00	-	-	1/4-28 UNF
CTRE-6.00-R	6.000	2.94	2.500	5.50	3.125	2.88	0.06	2 1/2 - 12	2.63	5/8	56	3.6	0.06	3.00	-	-	1/4-28 UNF

# CTRE-R Series Track Roller Assembly

Crowned/Spherical – Stud Type Eccentric  
Ball & Tapered Roller Bearings - Regreasable



(989)358-6148  
www.pcimfg.com



## ADDITIONAL NOTES

\*For lubricated threads, use half the maximum clamping torque value shown.

DGBB: Deep Groove Ball Bearings – Alloy Steel  
TRB: Tapered Roller Bearings – Alloy Steel

FEATURING ∞ INFINITY ROLLER™ TECHNOLOGY

Jam Nut & Lock Washer sets are available at an additional cost.

Specifications subject to change without notice.

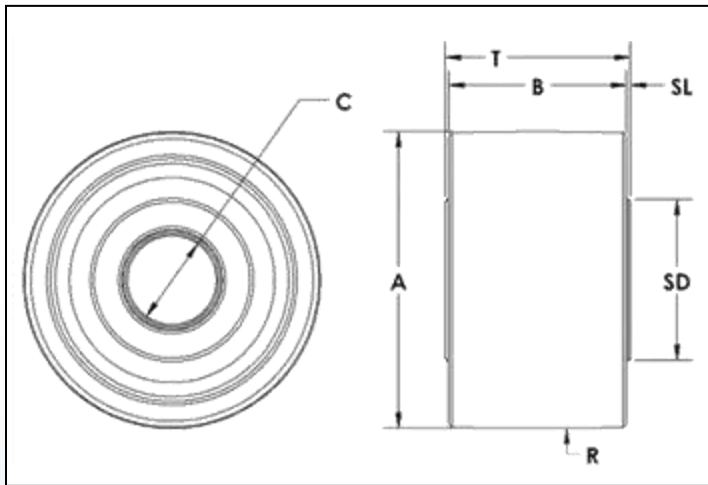
Stud Type Track Roller Part Number	Basic Radial Dynamic Load Rating (lbs) C	Basic Radial Static Load Rating (lbs) Co	Thrust Dynamic Load Rating (lbs)	Thrust Static Load Rating (lbs)	Stud Capacity (lbs)	Retaining Ring Capacity (lbs)	Max. Clamping Torque (in-lbs)*	Seal Type	Bearing Type	Approx. Roller Weight (lbs)
CTRE-1.00-R	956	480	331	60	530	470	250	Rubber Lip	DGBB	0.20
CTRE-1.125-R	956	480	331	60	530	470	250	Rubber Lip	DGBB	0.24
CTRE-1.25-R	1,231	640	430	80	940	470	250	Rubber Lip	DGBB	0.31
CTRE-1.375-R	1,231	640	430	80	940	470	250	Rubber Lip	DGBB	0.37
CTRE-1.50-R	2,651	1,394	1,101	348	1,680	550	650	Rubber Lip	DGBB	0.63
CTRE-1.75-R	2,651	1,394	1,101	348	1,680	550	650	Rubber Lip	DGBB	0.95
CTRE-2.00-2-R	3,624	2,136	1,563	534	3,710	900	650	Rubber Lip	DGBB	1.62
CTRE-2.00-R	3,624	2,136	1,563	534	4,660	900	650	Rubber Lip	DGBB	1.62
CTRE-2.25-R	3,624	2,136	1,563	534	4,660	900	650	Rubber Lip	DGBB	2.00
CTRE-2.50-R	5,390	3,507	2,407	877	8,470	1,340	650	Rubber Lip	DGBB	2.47
CTRE-2.50-10-R	5,390	3,507	2,407	877	7,910	1,340	650	Rubber Lip	DGBB	2.47
CTRE-2.50E-R	10,880	7,630	4,010	4,570	7,910	-	1,500	Rubber Dual Lip	TRB	2.65
CTRE-2.75-R	5,390	3,507	2,407	877	8,470	1,340	650	Rubber Lip	DGBB	2.93
CTRE-2.75E-R	10,880	7,630	4,010	4,570	7,910	-	1,500	Rubber Dual Lip	TRB	3.02
CTRE-3.00A-R	7,393	5,036	3,358	1,259	13,980	1,950	1,500	Rubber Lip	DGBB	4.51
CTRE-3.00-R	14,300	20,000	5,790	12,000	13,980	-	1,500	Rubber Dual Lip	TRB	4.54
CTRE-3.25A-R	7,393	5,036	3,358	1,259	13,980	1,950	1,500	Rubber Lip	DGBB	5.17
CTRE-3.25-R	14,300	20,000	5,790	12,000	13,980	-	1,500	Rubber Dual Lip	TRB	5.20
CTRE-3.50A-R	7,393	5,036	3,358	1,259	13,980	1,950	1,500	Rubber Lip	DGBB	6.07
CTRE-3.50-R	14,300	20,000	5,790	12,000	13,980	-	1,500	Rubber Dual Lip	TRB	6.11
CTRE-4.00A-R	7,393	5,036	3,358	1,259	13,980	1,950	1,500	Rubber Lip	DGBB	7.66
CTRE-4.00-R	14,300	20,000	5,790	12,000	13,980	-	1,500	Rubber Dual Lip	TRB	7.69
CTRE-4.50-R	14,300	20,000	5,790	12,000	13,980	-	1,500	Rubber Dual Lip	TRB	9.49
CTRE-5.00-R	35,870	58,400	13,310	32,100	38,190	-	1,500	Rubber Dual Lip	TRB	19.59
CTRE-6.00-R	35,830	56,200	14,150	32,900	74,580	-	1,500	Rubber Dual Lip	TRB	30.13

# CTRY Series Track Roller Assembly

Crowned/Spherical – Yoke Type  
Ball & Tapered Roller Bearings



(989)358-6148  
www.pcimfg.com



FEATURING  
∞ INFINITY ROLLER™  
TECHNOLOGY

Ask About Cost Savings Options (CSO)  
Similar to what other mfg.'s provide

Yoke Type Track Roller Part Number	A Roller Dia. +.000 -.001	B Roller Width	C Bore Dia. +.0007 -.0000	R Crown Radius	SD Shoulder Dia.	SL Shoulder Length	T Inner Race Width +.005 -.010
CTRY-1.50	1.500	0.880	0.4380	20	0.9	0.03	0.937
CTRY-1.75	1.750	1.000	0.5005	20	0.9	0.03	1.063
CTRY-2.00	2.000	1.250	0.6255	24	1.1	0.03	1.313
CTRY-2.25	2.250	1.250	0.6255	24	1.1	0.03	1.313
CTRY-2.50	2.500	1.500	0.7505	30	1.2	0.03	1.563
CTRY-2.50E	2.500	1.500	0.7505	30	1.3	0.03	1.563
CTRY-2.75	2.750	1.500	0.7505	30	1.2	0.03	1.563
CTRY-2.75E	2.750	1.500	0.7505	30	1.3	0.03	1.563
CTRY-3.00A	3.000	1.750	1.0005	30	1.8	0.03	1.813
CTRY-3.00	3.000	1.750	1.0005	30	1.8	0.03	1.813
CTRY-3.25A	3.250	1.750	1.0005	30	1.8	0.03	1.813
CTRY-3.25	3.250	1.750	1.0005	30	1.8	0.03	1.813
CTRY-3.50A	3.500	2.000	1.1255	30	2.0	0.03	2.063
CTRY-3.50	3.500	2.000	1.1255	30	2.0	0.03	2.063
CTRY-4.00A	4.000	2.250	1.2505	30	2.0	0.03	2.313
CTRY-4.00	4.000	2.250	1.2505	30	2.0	0.03	2.313
CTRY-5.00	5.000	2.750	1.7508	48	3.2	0.06	2.875
CTRY-6.00	6.000	3.250	2.2508	56	3.5	0.06	3.375
CTRY-7.00	7.000	3.750	2.7508	60	4.1	0.06	3.875
CTRY-8.00	8.000	4.250	3.2560	40	4.7	0.13	4.500
CTRY-9.00	9.000	4.750	3.7560	40	5.3	0.13	5.000
CTRY-10.00	10.000	5.250	4.2560	40	6.5	0.13	5.500
CTRY-12.00	12.000	5.250	4.2560	40	6.5	0.13	5.500
CTRY-14.00	14.000	5.250	4.2560	40	6.5	0.13	5.500
CTRY-16.00	16.000	5.250	4.2560	40	6.5	0.13	5.500
CTRY-18.00	18.000	5.250	4.2560	40	6.5	0.13	5.500
CTRY-20.00	20.000	5.250	4.2560	40	6.5	0.13	5.500

Optional PCI Yoke Shaft	Optional PCI Eccentric Yoke Shaft
YSH-.437	YSHE-.437
YSH-.500	YSHE-.500
YSH-.625	YSHE-.625
YSH-.625	YSHE-.625
YSH-.750	YSHE-.750
YSH-.750	YSHE-.750
YSH-.750	YSHE-.750
YSH-.750	YSHE-.750
YSH-1.000	YSHE-1.000
YSH-1.000	YSHE-1.000
YSH-1.000	YSHE-1.000
YSH-1.000	YSHE-1.000
YSH-1.125	YSHE-1.125
YSH-1.125	YSHE-1.125
YSH-1.250	YSHE-1.250
YSH-1.250	YSHE-1.250
YSH-1.750	YSHE-1.750
YSH-2.250	YSHE-2.250
YSH-2.750	YSHE-2.750
YSH-3.250	-
YSH-3.750	-
YSH-4.250	-
YSH-4.250	-
YSH-4.250	-
YSH-4.250	-
YSH-4.250	-

# CTRY Series Track Roller Assembly

Crowned/Spherical – Yoke Type  
Ball & Tapered Roller Bearings



(989)358-6148  
www.pcimfg.com



## ADDITIONAL NOTES

DGGB: Deep Groove Ball Bearings – Alloy Steel  
TRB: Tapered Roller Bearings – Alloy Steel

FEATURING ∞ INFINITY ROLLER™ TECHNOLOGY  
Ask About Cost Savings Options (CSO)  
Similar to what other mfg.'s provide

PCI Heavy Duty Yoke Shafts are available at an additional cost. See YSH page for details.

Specifications subject to change without notice.

Yoke Type Track Roller Part Number	Basic Radial Dynamic Load Rating (lbs) C	Basic Radial Static Load Rating (lbs) Co	Thrust Dynamic Load Rating (lbs)	Thrust Static Load Rating (lbs)	Seal Type	Bearing Type	Approx. Roller Weight (lbs)
CTRY-1.50	1,683	1,147	764	287	Rubber Lip	DGGB	0.30
CTRY-1.75	1,683	1,147	764	287	Rubber Lip	DGGB	0.49
CTRY-2.00	3,624	2,248	1,591	562	Rubber Lip	DGGB	0.49
CTRY-2.25	3,624	2,248	1,591	562	Rubber Lip	DGGB	0.78
CTRY-2.50	5,390	3,507	2,407	877	Rubber Lip	DGGB	1.55
CTRY-2.50E	10,880	7,630	4,010	4,570	Rubber Dual Lip	TRB	1.72
CTRY-2.75	5,390	3,507	2,407	877	Rubber Lip	DGGB	1.97
CTRY-2.75E	10,880	7,630	4,010	4,570	Rubber Dual Lip	TRB	2.11
CTRY-3.00A	6,118	4,586	2,884	1,147	Rubber Lip	DGGB	2.34
CTRY-3.00	14,300	20,000	5,790	12,000	Rubber Dual Lip	TRB	2.59
CTRY-3.25A	6,118	4,586	2,884	1,147	Rubber Lip	DGGB	2.94
CTRY-3.25	14,300	20,000	5,790	12,000	Rubber Dual Lip	TRB	3.19
CTRY-3.50A	6,483	5,216	3,145	1,304	Rubber Lip	DGGB	3.85
CTRY-3.50	17,600	27,200	5,750	13,100	Rubber Dual Lip	TRB	4.23
CTRY-4.00A	6,483	5,216	3,145	1,304	Rubber Lip	DGGB	6.10
CTRY-4.00	17,600	27,200	5,750	13,100	Rubber Dual Lip	TRB	6.51
CTRY-5.00	35,870	58,400	13,310	32,100	Rubber Dual Lip	TRB	12.17
CTRY-6.00	35,830	56,200	14,150	32,900	Rubber Dual Lip	TRB	19.28
CTRY-7.00	42,400	79,800	17,400	48,400	Rubber Lip	TRB	30.07
CTRY-8.00	83,700	159,800	39,000	110,000	Rubber Lip	TRB	44.36
CTRY-9.00	134,600	250,000	53,600	147,000	Rubber Lip	TRB	61.94
CTRY-10.00	137,300	276,000	62,000	194,000	Rubber Lip	TRB	82.98
CTRY-12.00	137,300	276,000	62,000	194,000	Rubber Lip	TRB	133.64
CTRY-14.00	137,300	276,000	62,000	194,000	Rubber Lip	TRB	193.03
CTRY-16.00	137,300	276,000	62,000	194,000	Rubber Lip	TRB	261.58
CTRY-18.00	137,300	276,000	62,000	194,000	Rubber Lip	TRB	339.32
CTRY-20.00	137,300	276,000	62,000	194,000	Rubber Lip	TRB	426.23





# CTRY-R Series Track Roller Assembly

Crowned/Spherical – Yoke Type

Ball & Tapered Roller Bearings - Regreasable



(989)358-6148  
www.pcimfg.com



## ADDITIONAL NOTES

DGBB: Deep Groove Ball Bearings – Alloy Steel  
TRB: Tapered Roller Bearings – Alloy Steel

FEATURING ∞ INFINITY ROLLER™ TECHNOLOGY

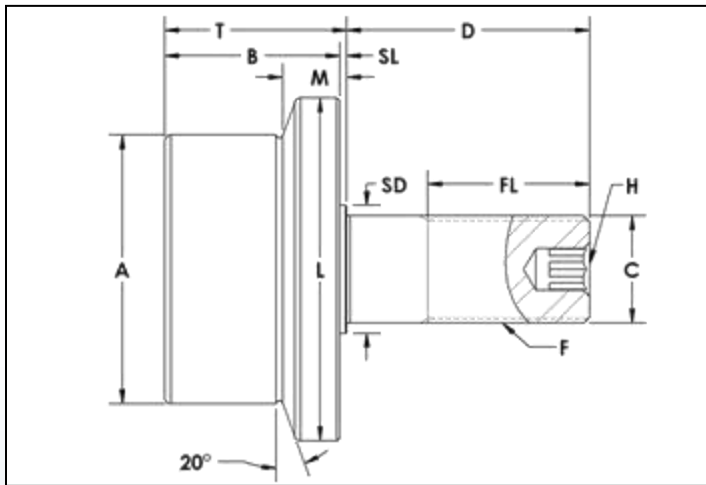
PCI Heavy Duty Yoke Shafts are available at an additional cost. See YSH page for details.

Specifications subject to change without notice.

Yoke Type Track Roller Part Number	Basic Radial Dynamic Load Rating (lbs) C	Basic Radial Static Load Rating (lbs) Co	Thrust Dynamic Load Rating (lbs)	Thrust Static Load Rating (lbs)	Seal Type	Bearing Type	Approx. Roller Weight (lbs)
CTRY-1.50-R	1,683	1,147	764	287	Rubber Lip	DGBB	0.30
CTRY-1.75-R	1,683	1,147	764	287	Rubber Lip	DGBB	0.49
CTRY-2.00-R	3,624	2,248	1,591	562	Rubber Lip	DGBB	0.49
CTRY-2.25-R	3,624	2,248	1,591	562	Rubber Lip	DGBB	0.78
CTRY-2.50-R	5,390	3,507	2,407	877	Rubber Lip	DGBB	1.55
CTRY-2.50E-R	10,880	7,630	4,010	4,570	Rubber Dual Lip	TRB	1.72
CTRY-2.75-R	5,390	3,507	2,407	877	Rubber Lip	DGBB	1.97
CTRY-2.75E-R	10,880	7,630	4,010	4,570	Rubber Dual Lip	TRB	2.11
CTRY-3.00A-R	6,118	4,586	2,884	1,147	Rubber Lip	DGBB	2.34
CTRY-3.00-R	14,300	20,000	5,790	12,000	Rubber Dual Lip	TRB	2.59
CTRY-3.25A-R	6,118	4,586	2,884	1,147	Rubber Lip	DGBB	2.94
CTRY-3.25-R	14,300	20,000	5,790	12,000	Rubber Dual Lip	TRB	3.19
CTRY-3.50A-R	6,483	5,216	3,145	1,304	Rubber Lip	DGBB	3.85
CTRY-3.50-R	17,600	27,200	5,750	13,100	Rubber Dual Lip	TRB	4.23
CTRY-4.00A-R	6,483	5,216	3,145	1,304	Rubber Lip	DGBB	6.10
CTRY-4.00-R	17,600	27,200	5,750	13,100	Rubber Dual Lip	TRB	6.51
CTRY-5.00-R	35,870	58,400	13,310	32,100	Rubber Dual Lip	TRB	12.17
CTRY-6.00-R	35,830	56,200	14,150	32,900	Rubber Dual Lip	TRB	19.28
CTRY-7.00-R	42,400	79,800	17,400	48,400	Rubber Lip	TRB	30.07
CTRY-8.00-R	83,700	159,800	39,000	110,000	Rubber Lip	TRB	44.36
CTRY-9.00-R	134,600	250,000	53,600	147,000	Rubber Lip	TRB	61.94
CTRY-10.00-R	137,300	276,000	62,000	194,000	Rubber Lip	TRB	82.98
CTRY-12.00-R	137,300	276,000	62,000	194,000	Rubber Lip	TRB	133.64
CTRY-14.00-R	137,300	276,000	62,000	194,000	Rubber Lip	TRB	193.03
CTRY-16.00-R	137,300	276,000	62,000	194,000	Rubber Lip	TRB	261.58
CTRY-18.00-R	137,300	276,000	62,000	194,000	Rubber Lip	TRB	339.32
CTRY-20.00-R	137,300	276,000	62,000	194,000	Rubber Lip	TRB	426.23

# FTR Series Track Roller Assembly

Flanged – Stud Type Concentric  
Ball & Tapered Roller Bearings



FEATURING  
∞ INFINITY ROLLER™  
TECHNOLOGY

Ask About Cost Savings Options (CSO)  
Similar to what other mfg.'s provide

Stud Type Track Roller Part Number	A	B	C	D	F	FL	H	L	M	SD	SL	T
	Roller Dia. +0.000 -0.001	Roller Width	Stud Dia. +0.000 -0.001	Stud Length	Thread Size	Thread Length	Hex Size	Flange Dia	Flange Width	Shoulder Dia.	Shoulder Length	Roller Width + Shoulder Length
FTR-1.00	1.000	0.75	0.437	1.00	7/16 - 20	0.50	3/16	1.38	0.22	0.5	0.03	0.78
FTR-1.125	1.125	0.75	0.437	1.00	7/16 - 20	0.50	3/16	1.50	0.22	0.5	0.03	0.78
FTR-1.25	1.250	0.81	0.500	1.25	1/2 - 20	0.63	3/16	1.56	0.22	0.6	0.03	0.84
FTR-1.375	1.375	0.81	0.500	1.25	1/2 - 20	0.63	3/16	1.69	0.22	0.6	0.03	0.84
FTR-1.50-2	1.500	1.00	0.500	1.38	1/2 - 20	0.75	1/4	2.00	0.34	0.6	0.06	1.06
FTR-1.50	1.500	1.13	0.625	1.50	5/8 - 18	0.75	5/16	2.19	0.34	0.8	0.06	1.19
FTR-1.75	1.750	1.13	0.750	1.75	3/4 - 16	0.88	5/16	2.44	0.34	0.9	0.06	1.19
FTR-2.00	2.000	1.63	0.875	2.00	7/8 - 14	1.13	5/16	2.69	0.59	1.0	0.06	1.69
FTR-2.00-9	2.000	1.63	0.875	2.00	7/8 - 14	1.13	5/16	2.69	0.59*	1.0	0.06	1.69
FTR-2.25	2.250	1.63	0.875	2.00	7/8 - 14	1.13	5/16	2.94	0.59	1.0	0.06	1.69
FTR-2.50	2.500	1.63	1.000	2.25	1 - 14	1.50	3/8	3.19	0.59	1.2	0.06	1.69
FTR-2.50E	2.500	1.75	1.000	2.25	1 - 14	1.50	3/8	3.19	0.59	1.3	0.06	1.81
FTR-2.75	2.750	1.63	1.000	2.25	1 - 14	1.50	3/8	3.44	0.59	1.2	0.06	1.69
FTR-2.75E	2.750	1.75	1.000	2.25	1 - 14	1.50	3/8	3.44	0.59	1.3	0.06	1.81
FTR-3.00A	3.000	1.94	1.250	2.50	1 1/4 - 12	1.75	1/2	3.94	0.59	1.5	0.06	2.00
FTR-3.00	3.000	1.94	1.250	2.50	1 1/4 - 12	1.75	1/2	3.94	0.59	1.8	0.06	2.00
FTR-3.25A	3.250	1.94	1.250	2.50	1 1/4 - 12	1.75	1/2	4.19	0.59	1.5	0.06	2.00
FTR-3.25	3.250	1.94	1.250	2.50	1 1/4 - 12	1.75	1/2	4.19	0.59	1.8	0.06	2.00
FTR-3.50A	3.500	1.94	1.250	2.75	1 1/4 - 12	1.75	1/2	4.44	0.59	1.5	0.06	2.00
FTR-3.50	3.500	1.94	1.250	2.75	1 1/4 - 12	1.75	1/2	4.44	0.59	1.8	0.06	2.00
FTR-4.00A	4.000	1.94	1.250	2.75	1 1/4 - 12	1.75	1/2	4.94	0.59	1.5	0.06	2.00
FTR-4.00	4.000	1.94	1.250	2.75	1 1/4 - 12	1.75	1/2	4.94	0.59	1.8	0.06	2.00
FTR-4.50	4.500	1.94	1.250	2.75	1 1/4 - 12	1.75	1/2	5.44	0.59	1.8	0.06	2.00
FTR-4.75	4.750	1.94	1.250	2.75	1 1/4 - 12	1.75	1/2	5.75	0.59	1.8	0.06	2.00
FTR-5.00	5.000	2.94	2.000	4.50	2 - 12	2.50	5/8	5.94	0.72	3.0	0.06	3.00
FTR-6.00	6.000	2.94	2.500	5.50	2 1/2 - 12	3.25	5/8	6.94	0.72	3.5	0.06	3.00
FTR-7.00	7.000	2.94	2.500	5.50	2 1/2 - 12	3.25	5/8	7.94	0.72	3.5	0.06	3.00
FTR-8.00	8.000	2.94	2.500	5.50	2 1/2 - 12	3.25	5/8	8.94	0.72	3.5	0.06	3.00
FTR-10.00	10.000	2.94	2.500	5.50	2 1/2 - 12	3.25	5/8	10.94	0.72	3.5	0.06	3.00

\*FTR-2.00-9 has a 90° Square Flange in place of the standard 20° Flange

# FTR Series Track Roller Assembly

Flanged – Stud Type Concentric  
Ball & Tapered Roller Bearings



## ADDITIONAL NOTES

\*For lubricated threads, use half the maximum clamping torque value shown.

DGBB: Deep Groove Ball Bearings – Alloy Steel  
TRB: Tapered Roller Bearings – Alloy Steel

FEATURING ∞ INFINITY ROLLER™ TECHNOLOGY  
Ask About Cost Savings Options (CSO)  
Similar to what other mfg.'s provide

Jam Nut & Lock Washer sets are available at an additional cost.

Specifications subject to change without notice.

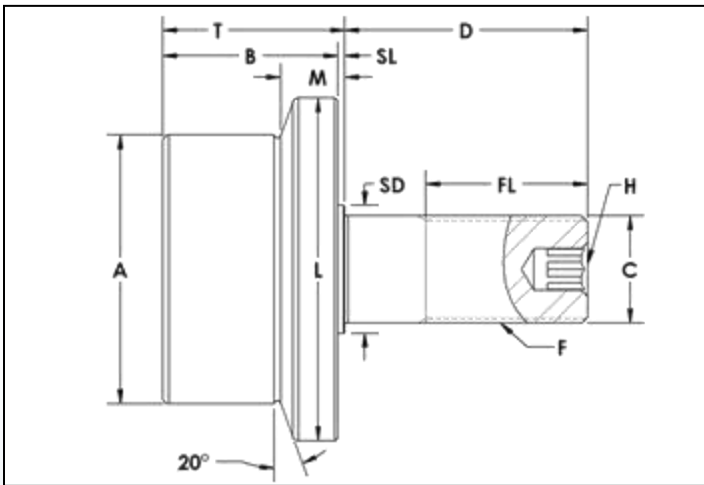
Stud Type Track Roller Part Number	Basic Radial Dynamic Load Rating (lbs) C	Basic Radial Static Load Rating (lbs) Co	Thrust Dynamic Load Rating (lbs)	Thrust Static Load Rating (lbs)	Stud Capacity (lbs)	Retaining Ring Capacity (lbs)	Max. Clamping Torque (in-lbs)*	Seal Type	Bearing Type	Approx. Roller Weight (lbs)
FTR-1.00	956	480	331	60	380	470	180	Rubber Lip	DGBB	0.20
FTR-1.125	956	480	331	60	380	470	180	Rubber Lip	DGBB	0.24
FTR-1.25	1,231	640	430	80	700	470	180	Rubber Lip	DGBB	0.32
FTR-1.375	1,231	640	430	80	700	470	180	Rubber Lip	DGBB	0.37
FTR-1.50-2	1,857	1,075	662	134	740	470	250	Rubber Lip	DGBB	0.66
FTR-1.50	2,651	1,394	1,101	348	1,210	550	350	Rubber Lip	DGBB	0.66
FTR-1.75	2,651	1,394	1,101	348	1,210	550	650	Rubber Lip	DGBB	0.97
FTR-2.00	3,624	2,136	1,563	534	2,840	900	650	Rubber Lip	DGBB	1.76
FTR-2.00-9	3,624	2,136	1,563	534	2,840	900	650	Rubber Lip	DGBB	1.76
FTR-2.25	3,624	2,136	1,563	534	3,480	900	650	Rubber Lip	DGBB	2.18
FTR-2.50	5,390	3,507	2,407	877	6,280	1,340	650	Rubber Lip	DGBB	2.70
FTR-2.50E	10,880	7,630	4,010	4,570	5,970	-	1,500	Rubber Dual Lip	TRB	2.79
FTR-2.75	5,390	3,507	2,407	877	6,540	1,340	650	Rubber Lip	DGBB	3.20
FTR-2.75E	10,880	7,630	4,010	4,570	6,200	-	1,500	Rubber Dual Lip	TRB	3.29
FTR-3.00A	7,393	5,036	3,358	1,259	10,800	1,950	1,500	Rubber Lip	DGBB	4.51
FTR-3.00	14,300	20,000	5,790	12,000	10,800	-	1,500	Rubber Dual Lip	TRB	4.72
FTR-3.25A	7,393	5,036	3,358	1,259	10,800	1,950	1,500	Rubber Lip	DGBB	5.34
FTR-3.25	14,300	20,000	5,790	12,000	10,800	-	1,500	Rubber Dual Lip	TRB	5.54
FTR-3.50A	7,393	5,036	3,358	1,259	10,800	1,950	1,500	Rubber Lip	DGBB	6.08
FTR-3.50	14,300	20,000	5,790	12,000	10,800	-	1,500	Rubber Dual Lip	TRB	6.27
FTR-4.00A	7,393	5,036	3,358	1,259	10,800	1,950	1,500	Rubber Lip	DGBB	7.92
FTR-4.00	14,300	20,000	5,790	12,000	10,800	-	1,500	Rubber Dual Lip	TRB	8.22
FTR-4.50	14,300	20,000	5,790	12,000	10,800	-	1,500	Rubber Dual Lip	TRB	10.16
FTR-4.75	14,300	20,000	5,790	12,000	10,800	-	1,500	Rubber Dual Lip	TRB	11.22
FTR-5.00	35,870	58,400	13,310	32,100	30,800	-	1,500	Rubber Dual Lip	TRB	20.22
FTR-6.00	35,830	56,200	14,150	32,900	60,150	-	1,500	Rubber Dual Lip	TRB	30.72
FTR-7.00	35,830	56,200	14,150	32,900	60,150	-	1,500	Rubber Dual Lip	TRB	38.01
FTR-8.00	35,830	56,200	14,150	32,900	60,150	-	1,500	Rubber Dual Lip	TRB	49.33
FTR-10.00	35,830	56,200	14,150	32,900	60,150	-	1,500	Rubber Dual Lip	TRB	72.86

# MFTR Series Track Roller Assembly

Metric - Flanged - Stud Type Concentric  
Ball & Tapered Roller Bearings



(989)358-6148  
www.pcimfg.com



FEATURING  
∞ INFINITY ROLLER™  
TECHNOLOGY

Ask About Cost Savings Options (CSO)  
Similar to what other mfg.'s provide

Stud Type Track Roller Part Number	A	B	C	D	F	FL	H	L	M	SD	SL	T
	Roller Dia. +00 -03 (mm)	Roller Width (mm)	Stud Dia. +00 -03 (mm)	Stud Length (mm)	Thread Size	Thread Length (mm)	Hex Size (mm)	Flange Dia (mm)	Flange Width (mm)	Shoulder Dia. (mm)	Shoulder Length (mm)	Roller Width + Shoulder Length (mm)
MFTR-26	26	19.2	10	23	M10 X 1	13	4	35	9	13.1	0.8	20
MFTR-30	30	19.2	12	25	M12 X 1.5	14	4	40	8	15.9	0.8	20
MFTR-32	32	21.2	12	25	M12 X 1.5	14	4	42	8	15.9	0.8	22
MFTR-35	35	21.2	16	32.5	M16 X 2	18	8	46	14	19.1	0.8	22
MFTR-40	40	28.4	14	40	M14 X 2	26	6	54	11	18	1.6	30
MFTR-40-1	40	26	18	36.5	M18 X 1.5	19	8	54	14	22	1.6	27.6
MFTR-47	47	26	20	40.5	M20 X 1.5	21	8	61	14	25.5	1.6	27.6
MFTR-50	50	38.4	16	50	M16 X 2	35	8	68	14	23	1.6	40
MFTR-52	52	32	20	40.5	M20 X 1.5	21	8	66	14	25.5	1.6	33.6
MFTR-62	62	42.4	24	58	M24 X 3	35	8	78	14	32	1.6	44
MFTR-62-1	62	42	24	49.5	M24 X 1.5	25	8	78	14	32	1.6	44
MFTR-72	72	42.4	24	50	M24 X 1.5	25	8	90	14	32	1.6	44
MFTR-76	76	50	30	69.5	M30 X 3.5	40	12	98	14	44.5	1.6	52
MFTR-80	80	50.4	30	70	M30 X 3.5	40	12	102	14	44.5	1.6	52
MFTR-85	85	50	30	69.5	M30 X 3.5	40	12	107	14	44.5	1.6	52
MFTR-90	90	50.4	30	70	M30 X 3.5	40	12	112	14	44.5	1.6	52
MFTR-100-1	100	50	30	69.5	M30 X 3.5	40	12	125	14	44.5	1.6	52
MFTR-100	100	50.4	30	80	M30 X 3.5	50	12	125	14	44.5	1.6	52
MFTR-125	125	74	48	105	M48 X 5	60	12	148	18	76.2	1.6	76
MFTR-150	150	74.4	64	140	M64 X 6	82	12	173	18	88.9	1.6	76
MFTR-200	200	74	64	140	M64 X 6	82	12	223	18	88.9	1.6	76

# MFTR Series Track Roller Assembly

Metric - Flanged – Stud Type Concentric  
Ball & Tapered Roller Bearings



## ADDITIONAL NOTES

\*For lubricated threads, use half the maximum clamping torque value shown.

DGBB: Deep Groove Ball Bearings – Alloy Steel  
TRB: Tapered Roller Bearings – Alloy Steel

FEATURING ∞ INFINITY ROLLER™ TECHNOLOGY  
Ask About Cost Savings Options (CSO)  
Similar to what other mfg.'s provide

Jam Nut & Lock Washer sets are available at an additional cost.

Specifications subject to change without notice.

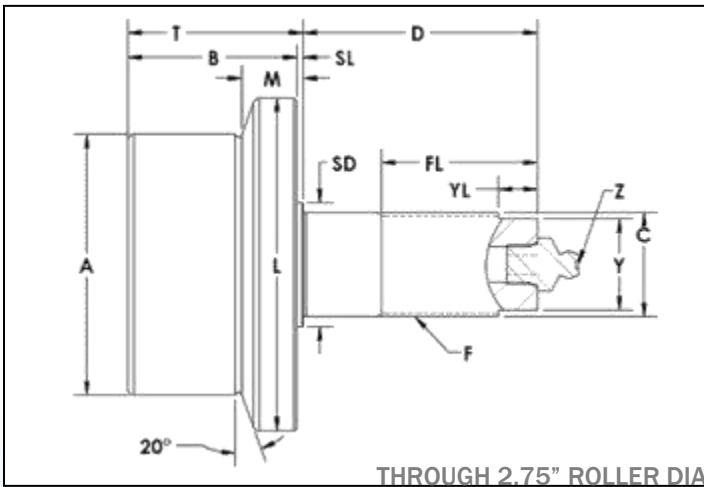
Stud Type Track Roller Part Number	Basic Radial Dynamic Load Rating (N)  C	Basic Radial Static Load Rating (N)  C	Thrust Dynamic Load Rating (N)	Thrust Static Load Rating (N)	Stud Capacity (N)	Retaining Ring Capacity (N)	Max. Clamping Torque (Nm)*	Seal Type	Bearing Type	Approx. Roller Weight (Kg)
MFTR-26	4,250	2,130	1,470	265	2,600	2,090	20	Rubber Lip	DGBB	0.1
MFTR-30	4,250	2,130	1,470	265	2,600	2,090	20	Rubber Lip	DGBB	0.1
MFTR-32	5,470	2,840	1,900	350	4,300	2,090	20	Rubber Lip	DGBB	0.2
MFTR-35	5,470	2,840	1,900	350	4,300	2,090	20	Rubber Lip	DGBB	0.2
MFTR-40	11,790	6,200	4,890	1,540	7,400	2,440	20	Rubber Lip	DGBB	0.3
MFTR-40-1	11,790	6,200	4,890	1,540	7,400	2,440	20	Rubber Lip	DGBB	0.2
MFTR-47	11,790	6,200	4,890	1,540	7,400	2,440	20	Rubber Lip	DGBB	0.5
MFTR-50	16,120	9,500	6,950	2,375	20,700	4,000	68	Rubber Lip	DGBB	0.7
MFTR-52	16,120	9,500	6,950	2,375	20,700	4,000	68	Rubber Lip	DGBB	0.8
MFTR-62	20,732	13,398	9,236	3,350	21,200	5,960	68	Rubber Lip	DGBB	1.2
MFTR-62-1	20,732	13,398	9,236	3,350	21,200	5,960	68	Rubber Lip	DGBB	1.2
MFTR-72	48,300	33,950	17,800	20,330	20,820	-	68	Rubber Dual Lip	TRB	1.3
MFTR-76	63,600	89,000	25,700	53,400	52,780	-	136	Rubber Dual Lip	TRB	2.2
MFTR-80	63,600	89,000	25,700	53,400	52,780	-	136	Rubber Dual Lip	TRB	2.4
MFTR-85	63,600	89,000	25,700	53,400	52,780	-	136	Rubber Dual Lip	TRB	2.8
MFTR-90	63,600	89,000	25,700	53,400	52,780	-	136	Rubber Dual Lip	TRB	3.0
MFTR-100-1	63,600	89,000	25,700	53,400	52,780	-	136	Rubber Dual Lip	TRB	3.7
MFTR-100	63,600	89,000	25,700	53,400	52,780	-	136	Rubber Dual Lip	TRB	3.5
MFTR-125	159,000	259,700	59,000	142,700	143,500	-	136	Rubber Dual Lip	TRB	8.9
MFTR-150	159,000	249,000	62,900	146,300	411,900	-	136	Rubber Dual Lip	TRB	13.1
MFTR-200	159,000	249,000	62,900	146,300	411,900	-	136	Rubber Dual Lip	TRB	20.4

# FTR-R Series Track Roller Assembly

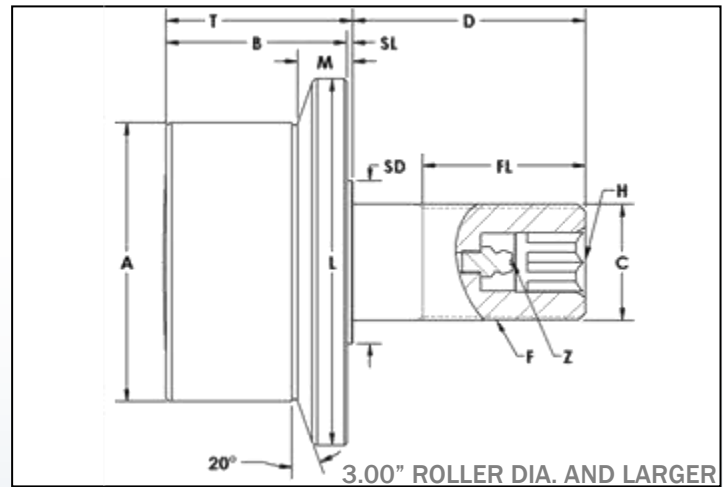
Flanged – Stud Type Concentric  
Ball & Tapered Roller Bearings - Regreasable



(989)358-6148  
www.pcimfg.com



THROUGH 2.75" ROLLER DIA



3.00" ROLLER DIA. AND LARGER

Stud Type Track Roller Part Number	A	B	C	D	F	FL	H	L	M	SD	SL	T	Y	YL	Z
	Roller Dia. +.000 -.001	Roller Width	Stud Dia. +.000 -.001	Stud Length	Thread Size	Thread Length	Hex Size	Flange Dia	Flange Width	Shoulder Dia.	Shoulder Length	Roller Width + Shoulder Length	Wrench Flat	Wrench Flat Length	Lube Size
FTR-1.00-R	1.000	0.75	0.437	1.00	7/16 - 20	0.50	-	1.38	0.22	0.5	0.03	0.78	0.312	0.250	1/8 Drive
FTR-1.125-R	1.125	0.75	0.437	1.00	7/16 - 20	0.50	-	1.50	0.22	0.5	0.03	0.78	0.312	0.250	1/8 Drive
FTR-1.25-R	1.250	0.81	0.500	1.25	1/2 - 20	0.63	-	1.56	0.22	0.6	0.03	0.84	0.375	0.250	1/8 Drive
FTR-1.375-R	1.375	0.81	0.500	1.25	1/2 - 20	0.63	-	1.69	0.22	0.6	0.03	0.84	0.375	0.250	1/8 Drive
FTR-1.50-2-R	1.500	1.00	0.500	1.38	1/2 - 20	0.75	-	2.00	0.34	0.6	0.06	1.06	0.375	0.250	1/8 Drive
FTR-1.50-R	1.500	1.13	0.625	1.50	5/8 - 18	0.75	-	2.19	0.34	0.8	0.06	1.19	0.500	0.375	1/4-28 UNF
FTR-1.75-R	1.750	1.13	0.750	1.75	3/4 - 16	0.88	-	2.44	0.34	0.9	0.06	1.19	0.625	0.375	1/8-27 NPT
FTR-2.00-R	2.000	1.63	0.875	2.00	7/8 - 14	1.13	-	2.69	0.59	1.0	0.06	1.69	0.625	0.375	1/8-27 NPT
FTR-2.00-9-R	2.000	1.63	0.875	2.00	7/8 - 14	1.13	-	2.69	0.59*	1.0	0.06	1.69	0.625	0.375	1/8-27 NPT
FTR-2.25-R	2.250	1.63	0.875	2.00	7/8 - 14	1.13	-	2.94	0.59	1.0	0.06	1.69	0.625	0.375	1/8-27 NPT
FTR-2.50-R	2.500	1.63	1.000	2.25	1 - 14	1.50	-	3.19	0.59	1.2	0.06	1.69	0.875	0.375	1/8-27 NPT
FTR-2.50E-R	2.500	1.75	1.000	2.25	1 - 14	1.50	-	3.19	0.59	1.3	0.06	1.81	0.875	0.375	1/8-27 NPT
FTR-2.75-R	2.750	1.63	1.000	2.25	1 - 14	1.50	-	3.44	0.59	1.2	0.06	1.69	0.875	0.375	1/8-27 NPT
FTR-2.75E-R	2.750	1.75	1.000	2.25	1 - 14	1.50	-	3.44	0.59	1.3	0.06	1.81	0.875	0.375	1/8-27 NPT
FTR-3.00A-R	3.000	1.94	1.250	2.50	1 1/4 - 12	1.75	5/8	3.94	0.59	1.5	0.06	2.00	-	-	1/4-28 UNF
FTR-3.00-R	3.000	1.94	1.250	2.50	1 1/4 - 12	1.75	5/8	3.94	0.59	1.8	0.06	2.00	-	-	1/4-28 UNF
FTR-3.25A-R	3.250	1.94	1.250	2.50	1 1/4 - 12	1.75	5/8	4.19	0.59	1.5	0.06	2.00	-	-	1/4-28 UNF
FTR-3.25-R	3.250	1.94	1.250	2.50	1 1/4 - 12	1.75	5/8	4.19	0.59	1.8	0.06	2.00	-	-	1/4-28 UNF
FTR-3.50A-R	3.500	1.94	1.250	2.75	1 1/4 - 12	1.75	5/8	4.44	0.59	1.5	0.06	2.00	-	-	1/4-28 UNF
FTR-3.50-R	3.500	1.94	1.250	2.75	1 1/4 - 12	1.75	5/8	4.44	0.59	1.8	0.06	2.00	-	-	1/4-28 UNF
FTR-4.00A-R	4.000	1.94	1.250	2.75	1 1/4 - 12	1.75	5/8	4.94	0.59	1.5	0.06	2.00	-	-	1/4-28 UNF
FTR-4.00-R	4.000	1.94	1.250	2.75	1 1/4 - 12	1.75	5/8	4.94	0.59	1.8	0.06	2.00	-	-	1/4-28 UNF
FTR-4.50-R	4.500	1.94	1.250	2.75	1 1/4 - 12	1.75	5/8	5.44	0.59	1.8	0.06	2.00	-	-	1/4-28 UNF
FTR-4.75-R	4.750	1.94	1.250	2.75	1 1/4 - 12	1.75	5/8	5.75	0.59	1.8	0.06	2.00	-	-	1/4-28 UNF
FTR-5.00-R	5.000	2.94	2.000	4.50	2 - 12	2.50	5/8	5.94	0.72	3.0	0.06	3.00	-	-	1/4-28 UNF
FTR-6.00-R	6.000	2.94	2.500	5.50	2 1/2 - 12	3.25	5/8	6.94	0.72	3.5	0.06	3.00	-	-	1/4-28 UNF
FTR-7.00-R	7.000	2.94	2.500	5.50	2 1/2 - 12	3.25	5/8	7.94	0.72	3.5	0.06	3.00	-	-	1/4-28 UNF
FTR-8.00-R	8.000	2.94	2.500	5.50	2 1/2 - 12	3.25	5/8	8.94	0.72	3.5	0.06	3.00	-	-	1/4-28 UNF
FTR-10.00-R	10.000	2.94	2.500	5.50	2 1/2 - 12	3.25	5/8	10.94	0.72	3.5	0.06	3.00	-	-	1/4-28 UNF

\*FTR-2.00-9 has a 90° Square Flange in place of the standard 20° Flange

# FTR-R Series Track Roller Assembly

Flanged – Stud Type Concentric  
Ball & Tapered Roller Bearings - Regreasable



(989)358-6148  
www.pcimfg.com



## ADDITIONAL NOTES

\*For lubricated threads, use half the maximum clamping torque value shown.

DGBB: Deep Groove Ball Bearings – Alloy Steel  
TRB: Tapered Roller Bearings – Alloy Steel

FEATURING ∞ INFINITY ROLLER™ TECHNOLOGY

Jam Nut & Lock Washer sets are available at an additional cost.

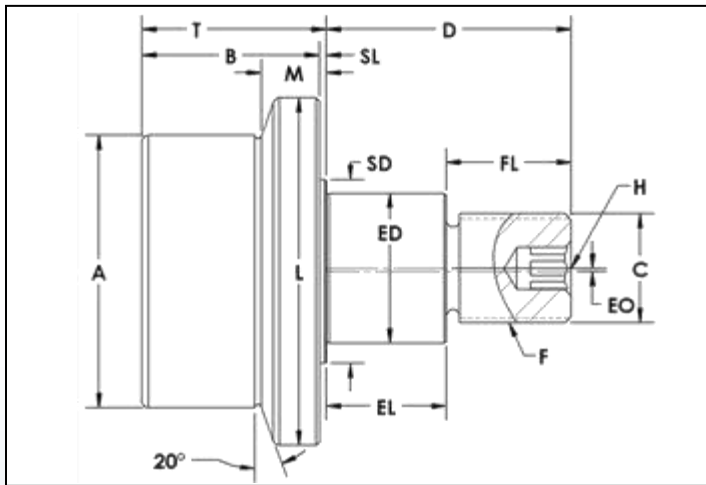
Specifications subject to change without notice.

Stud Type Track Roller Part Number	Basic Radial Dynamic Load Rating (lbs) C	Basic Radial Static Load Rating (lbs) Co	Thrust Dynamic Load Rating (lbs)	Thrust Static Load Rating (lbs)	Stud Capacity (lbs)	Retaining Ring Capacity (lbs)	Max. Clamping Torque (in-lbs)*	Seal Type	Bearing Type	Approx. Roller Weight (lbs)
FTR-1.00-R	956	480	331	60	380	470	180	Rubber Lip	DGBB	0.20
FTR-1.125-R	956	480	331	60	380	470	180	Rubber Lip	DGBB	0.24
FTR-1.25-R	1,231	640	430	80	700	470	180	Rubber Lip	DGBB	0.32
FTR-1.375-R	1,231	640	430	80	700	470	180	Rubber Lip	DGBB	0.37
FTR-1.50-2-R	1,857	1,075	662	134	740	470	250	Rubber Lip	DGBB	0.66
FTR-1.50-R	2,651	1,394	1,101	348	1,220	550	350	Rubber Lip	DGBB	0.66
FTR-1.75-R	2,651	1,394	1,101	348	1,210	550	650	Rubber Lip	DGBB	0.97
FTR-2.00-R	3,624	2,136	1,563	534	2,840	900	650	Rubber Lip	DGBB	1.76
FTR-2.00-9-R	3,624	2,136	1,563	534	2,840	900	650	Rubber Lip	DGBB	1.76
FTR-2.25-R	3,624	2,136	1,563	534	3,480	900	650	Rubber Lip	DGBB	2.18
FTR-2.50-R	5,390	3,507	2,407	877	6,280	1,340	650	Rubber Lip	DGBB	2.70
FTR-2.50E-R	10,880	7,630	4,010	4,570	5,970	-	1,500	Rubber Dual Lip	TRB	2.79
FTR-2.75-R	5,390	3,507	2,407	877	6,540	1,340	650	Rubber Lip	DGBB	3.20
FTR-2.75E-R	10,880	7,630	4,010	4,570	6,200	-	1,500	Rubber Dual Lip	TRB	3.29
FTR-3.00A-R	7,393	5,036	3,358	1,259	10,800	1,950	1,500	Rubber Lip	DGBB	4.60
FTR-3.00-R	14,300	20,000	5,790	12,000	10,800	-	1,500	Rubber Dual Lip	TRB	4.72
FTR-3.25A-R	7,393	5,036	3,358	1,259	10,800	1,950	1,500	Rubber Lip	DGBB	5.34
FTR-3.25-R	14,300	20,000	5,790	12,000	10,800	-	1,500	Rubber Dual Lip	TRB	5.54
FTR-3.50A-R	7,393	5,036	3,358	1,259	10,800	1,950	1,500	Rubber Lip	DGBB	6.08
FTR-3.50-R	14,300	20,000	5,790	12,000	10,800	-	1,500	Rubber Dual Lip	TRB	6.27
FTR-4.00A-R	7,393	5,036	3,358	1,259	10,800	1,950	1,500	Rubber Lip	DGBB	7.92
FTR-4.00-R	14,300	20,000	5,790	12,000	10,800	-	1,500	Rubber Dual Lip	TRB	8.22
FTR-4.50-R	14,300	20,000	5,790	12,000	10,800	-	1,500	Rubber Dual Lip	TRB	10.16
FTR-4.75-R	14,300	20,000	5,790	12,000	10,800	-	1,500	Rubber Dual Lip	TRB	11.22
FTR-5.00-R	35,870	58,400	13,310	32,100	30,800	-	1,500	Rubber Dual Lip	TRB	20.22
FTR-6.00-R	35,830	56,200	14,150	32,900	60,150	-	1,500	Rubber Dual Lip	TRB	30.72
FTR-7.00-R	35,830	56,200	14,150	32,900	60,150	-	1,500	Rubber Dual Lip	TRB	38.01
FTR-8.00-R	35,830	56,200	14,150	32,900	60,150	-	1,500	Rubber Dual Lip	TRB	49.33
FTR-10.00-R	35,830	56,200	14,150	32,900	60,150	-	1,500	Rubber Dual Lip	TRB	72.86



# FTRE Series Track Roller Assembly

Flanged – Stud Type Eccentric  
Ball & Tapered Roller Bearings



FEATURING  
∞ INFINITY ROLLER™  
TECHNOLOGY

Ask About Cost Savings Options (CSO)  
Similar to what other mfg.'s provide

Stud Type Track Roller Part Number	A	B	C	D	ED	EL	EO	F	FL	H	L	M	SD	SL	T
	Roller Dia. +0.000 -0.001	Roller Width	Stud Dia.	Stud Length	Ecc Dia +0.000 -0.002	Ecc Length	Ecc Offset	Thread Size	Thread Length	Hex Size	Flange Dia	Flange Width	Shoulder Dia.	Shoulder Length	Roller Width + Shoulder Length
FTRE-1.00	1.000	0.75	0.437	1.00	0.625	0.480	0.030	7/16 - 20	0.52	3/16	1.38	0.22	0.7	0.03	0.78
FTRE-1.125	1.125	0.75	0.437	1.00	0.625	0.480	0.030	7/16 - 20	0.52	3/16	1.50	0.22	0.7	0.03	0.78
FTRE-1.25	1.250	0.81	0.500	1.25	0.687	0.605	0.030	1/2 - 20	0.65	3/16	1.56	0.22	0.8	0.03	0.84
FTRE-1.375	1.375	0.81	0.500	1.25	0.687	0.605	0.030	1/2 - 20	0.65	3/16	1.69	0.22	0.8	0.03	0.84
FTRE-1.50-2	1.500	1.00	0.500	1.38	0.687	0.605	0.030	1/2 - 20	0.75	1/4	2.00	0.34	0.8	0.06	1.06
FTRE-1.50	1.500	1.13	0.625	1.50	0.875	0.730	0.030	5/8 - 18	0.77	5/16	2.19	0.34	1.1	0.06	1.19
FTRE-1.75	1.750	1.13	0.750	1.75	1.000	0.855	0.030	3/4 - 16	0.90	5/16	2.44	0.34	1.3	0.06	1.19
FTRE-2.00	2.000	1.63	0.875	2.00	1.187	0.980	0.030	7/8 - 14	1.02	5/16	2.69	0.59	1.5	0.06	1.69
FTRE-2.00-9	2.000	1.63	0.875	2.00	1.187	0.980	0.030	7/8 - 14	1.02	5/16	2.69	0.59*	1.5	0.06	1.69
FTRE-2.25	2.250	1.63	0.875	2.00	1.187	0.980	0.030	7/8 - 14	1.02	5/16	2.94	0.59	1.5	0.06	1.69
FTRE-2.50	2.500	1.63	1.000	2.25	1.375	1.105	0.030	1 - 14	1.15	3/8	3.19	0.59	1.7	0.06	1.69
FTRE-2.50E	2.500	1.75	1.000	2.25	1.375	1.105	0.030	1 - 14	1.15	3/8	3.19	0.59	1.7	0.06	1.81
FTRE-2.75	2.750	1.63	1.000	2.25	1.375	1.105	0.030	1 - 14	1.15	3/8	3.44	0.59	1.7	0.06	1.69
FTRE-2.75E	2.750	1.75	1.000	2.25	1.375	1.105	0.030	1 - 14	1.15	3/8	3.44	0.59	1.7	0.06	1.81
FTRE-3.00A	3.000	1.94	1.250	2.50	1.750	1.230	0.060	1 1/4 - 12	1.27	1/2	3.94	0.59	2.2	0.06	2.00
FTRE-3.00	3.000	1.94	1.250	2.50	1.750	1.230	0.060	1 1/4 - 12	1.27	1/2	3.94	0.59	2.2	0.06	2.00
FTRE-3.25A	3.250	1.94	1.250	2.50	1.750	1.230	0.060	1 1/4 - 12	1.27	1/2	4.19	0.59	2.2	0.06	2.00
FTRE-3.25	3.250	1.94	1.250	2.50	1.750	1.230	0.060	1 1/4 - 12	1.27	1/2	4.19	0.59	2.2	0.06	2.00
FTRE-3.50A	3.500	1.94	1.250	2.75	1.812	1.355	0.060	1 1/4 - 12	1.40	1/2	4.44	0.59	2.2	0.06	2.00
FTRE-3.50	3.500	1.94	1.250	2.75	1.812	1.355	0.060	1 1/4 - 12	1.40	1/2	4.44	0.59	2.2	0.06	2.00
FTRE-4.00A	4.000	1.94	1.250	2.75	1.812	1.355	0.060	1 1/4 - 12	1.40	1/2	4.94	0.59	2.2	0.06	2.00
FTRE-4.00	4.000	1.94	1.250	2.75	1.812	1.355	0.060	1 1/4 - 12	1.40	1/2	4.94	0.59	2.2	0.06	2.00
FTRE-4.50	4.500	1.94	1.250	2.75	1.812	1.355	0.060	1 1/4 - 12	1.40	1/2	5.44	0.59	2.2	0.06	2.00
FTRE-4.75	4.750	1.94	1.250	2.75	1.812	1.355	0.060	1 1/4 - 12	1.40	1/2	5.75	0.59	2.2	0.06	2.00
FTRE-5.00	5.000	2.94	2.000	4.50	2.625	2.125	0.060	2 - 12	2.38	5/8	5.94	0.72	3.3	0.06	3.00
FTRE-6.00	6.000	2.94	2.500	5.50	3.125	2.875	0.060	2 1/2 - 12	2.63	5/8	6.94	0.72	3.6	0.06	3.00

\*FTR-2.00-9 has a 90° Square Flange in place of the standard 20° Flange

# FTRE Series Track Roller Assembly

Flanged – Stud Type Eccentric  
Ball & Tapered Roller Bearings



(989)358-6148  
www.pcimfg.com



## ADDITIONAL NOTES

\*For lubricated threads, use half the maximum clamping torque value shown.

DGBB: Deep Groove Ball Bearings – Alloy Steel  
TRB: Tapered Roller Bearings – Alloy Steel

FEATURING ∞ INFINITY ROLLER™ TECHNOLOGY  
Ask About Cost Savings Options (CSO)  
Similar to what other mfg.'s provide

Jam Nut & Lock Washer sets are available at an additional cost.

Specifications subject to change without notice.

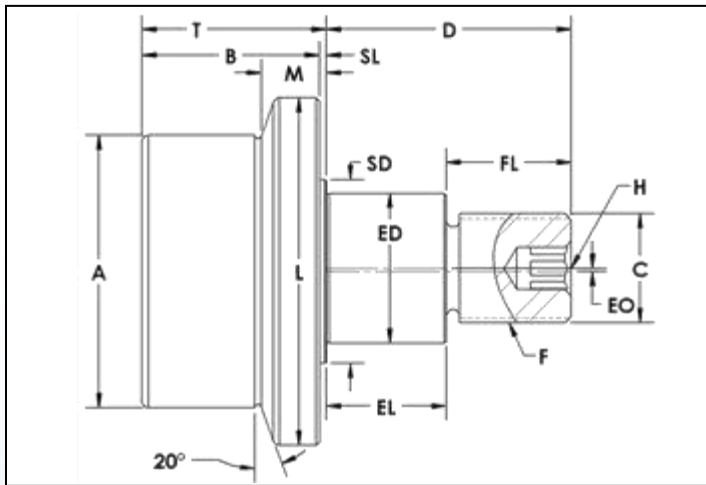
Stud Type Track Roller Part Number	Basic Radial Dynamic Load Rating (lbs) C	Basic Radial Static Load Rating (lbs) Co	Thrust Dynamic Load Rating (lbs)	Thrust Static Load Rating (lbs)	Stud Capacity (lbs)	Retaining Ring Capacity (lbs)	Max. Clamping Torque (in-lbs)*	Seal Type	Bearing Type	Approx. Roller Weight (lbs)
FTRE-1.00	956	480	331	60	380	470	250	Rubber Lip	DGBB	0.22
FTRE-1.125	956	480	331	60	380	470	250	Rubber Lip	DGBB	0.27
FTRE-1.25	1,231	640	430	80	710	470	250	Rubber Lip	DGBB	0.34
FTRE-1.375	1,231	640	430	80	710	470	250	Rubber Lip	DGBB	0.41
FTRE-1.50-2	1,857	1,075	662	134	740	470	350	Rubber Lip	DGBB	0.59
FTRE-1.50	2,651	1,394	1,101	348	1,220	550	650	Rubber Lip	DGBB	0.76
FTRE-1.75	2,651	1,394	1,101	348	1,220	550	650	Rubber Lip	DGBB	1.08
FTRE-2.00	3,624	2,136	1,563	534	2,840	900	650	Rubber Lip	DGBB	1.96
FTRE-2.00-9	3,624	2,136	1,563	534	2,840	900	650	Rubber Lip	DGBB	2.00
FTRE-2.25	3,624	2,136	1,563	534	3,490	900	650	Rubber Lip	DGBB	2.37
FTRE-2.50	5,390	3,507	2,407	877	6,280	1,340	650	Rubber Lip	DGBB	2.87
FTRE-2.50E	10,880	7,630	4,010	4,570	5,970	-	1,500	Rubber Dual Lip	TRB	3.06
FTRE-2.75	5,390	3,507	2,407	877	6,540	1,340	650	Rubber Lip	DGBB	3.38
FTRE-2.75E	10,880	7,630	4,010	4,570	6,200	-	1,500	Rubber Dual Lip	TRB	3.47
FTRE-3.00A	7,393	5,036	3,358	1,259	10,800	1,950	1,500	Rubber Lip	DGBB	5.15
FTRE-3.00	14,300	20,000	5,790	12,000	10,800	-	1,500	Rubber Dual Lip	TRB	5.19
FTRE-3.25A	7,393	5,036	3,358	1,259	10,800	1,950	1,500	Rubber Lip	DGBB	5.85
FTRE-3.25	14,300	20,000	5,790	12,000	10,800	-	1,500	Rubber Dual Lip	TRB	5.90
FTRE-3.50A	7,393	5,036	3,358	1,259	10,800	1,950	1,500	Rubber Lip	DGBB	6.87
FTRE-3.50	14,300	20,000	5,790	12,000	10,800	-	1,500	Rubber Dual Lip	TRB	6.85
FTRE-4.00A	7,393	5,036	3,358	1,259	10,800	1,950	1,500	Rubber Lip	DGBB	8.48
FTRE-4.00	14,300	20,000	5,790	12,000	10,800	-	1,500	Rubber Dual Lip	TRB	8.82
FTRE-4.50	14,300	20,000	5,790	12,000	10,800	-	1,500	Rubber Dual Lip	TRB	10.52
FTRE-4.75	14,300	20,000	5,790	12,000	10,800	-	1,500	Rubber Dual Lip	TRB	11.47
FTRE-5.00	35,870	58,400	13,310	32,100	30,800	-	1,500	Rubber Dual Lip	TRB	21.62
FTRE-6.00	35,830	56,200	14,150	32,900	60,150	-	1,500	Rubber Dual Lip	TRB	32.75

# MFTRE Series Track Roller Assembly

Metric - Flanged - Stud Type Eccentric  
Ball & Tapered Roller Bearings



(989)358-6148  
www.pcimfg.com



FEATURING  
∞ INFINITY ROLLER™  
TECHNOLOGY

Ask About Cost Savings Options (CSO)  
Similar to what other mfg.'s provide

Stud Type Track Roller Part Number	A Roller Dia. +0.00 -0.03 (mm)	B Roller Width (mm)	C Stud Dia. +0.00 -0.03 (mm)	D Stud Length (mm)	ED Ecc Dia +0.000 -0.002 (mm)	EL Ecc Length (mm)	EO Ecc Offset (mm)	F Thread Size	FL Thread Length (mm)	H Hex Size (mm)	L Flange Dia (mm)	M Flange Width (mm)	SD Shoulder Dia. (mm)	SL Shoulder Length (mm)	T Roller Width + Shoulder Length (mm)
MFTRE-26	26	19.2	10	23	13	10	0.5	M10 X 1	13	4	35	9	17.1	0.8	20
MFTRE-30	30	19.2	12	25	15	11	0.5	M12 X 1.5	14	4	40	8	17.5	0.8	20
MFTRE-32	32	21.2	12	25	15	11	0.5	M12 X 1.5	14	4	42	8	17.5	0.8	22
MFTRE-35	35	21.2	16	32.5	20	14.5	1	M16 X 2	18	8	46	14	23.8	0.8	22
MFTRE-40	40	28.4	14	40	22	13	1	M14 X 2	26	6	54	11	28.5	1.6	30
MFTRE-40-1	40	26	18	36.5	22	16.0	1	M18 X 1.5	19	8	54	14	28.5	1.6	27.6
MFTRE-47	47	26	20	40.5	24	18.0	1	M20 X 1.5	21	8	61	14	32	1.6	27.6
MFTRE-50	50	38.4	16	50	24	18	1	M16 X 2	35	8	68	14	32	1.6	40
MFTRE-52	52	32	20	40.5	24	18.0	1	M20 X 1.5	21	8	66	14	32	1.6	33.6
MFTRE-62	62	42.4	24	58	28	20	1.5	M24 X 3	35	8	78	14	43	1.6	44
MFTRE-62-1	62	42	24	49.5	28	22.0	1	M24 X 1.5	25	8	78	14	43	1.6	44
MFTRE-72	72	42.4	20	50	28	22	1	M20 X 1.5	25	8	90	14	38	1.6	44
MFTRE-76	76	50	24	69.5	35	29	1.5	M24 X 1.5	40	12	98	14	50	1.6	52
MFTRE-80	80	50.4	24	70	35	29	2	M24 X 1.5	40	12	102	14	50	1.6	52
MFTRE-85	85	50	24	69.5	35	29	1.5	M24 X 1.5	40	12	107	14	50	1.6	52
MFTRE-90	90	50.4	24	70	35	29	2	M24 X 1.5	40	12	112	14	50	1.6	52
MFTRE-100-1	100	50	24	69.5	35	29	1.5	M24 X 1.5	40	12	125	14	50	1.6	52
MFTRE-100	100	50.4	24	80	35	29	2	M24 X 1.5	50	12	125	14	50	1.6	52
MFTRE-125	125	74	48	105	64	50	2	M48 X 5	60	12	148	18	89	1.6	76
MFTRE-150	150	74.4	64	140	80	65	2	M64 X 6	82	12	173	18	89	1.6	76

# MFTRE Series Track Roller Assembly

Metric - Flanged – Stud Type Eccentric  
Ball & Tapered Roller Bearings



(989)358-6148  
www.pcimfg.com



## ADDITIONAL NOTES

\*For lubricated threads, use half the maximum clamping torque value shown.

DGBB: Deep Groove Ball Bearings – Alloy Steel  
TRB: Tapered Roller Bearings – Alloy Steel

FEATURING ∞ INFINITY ROLLER™ TECHNOLOGY  
Ask About Cost Savings Options (CSO)  
Similar to what other mfg.'s provide

Jam Nut & Lock Washer sets are available at an additional cost.

Specifications subject to change without notice.

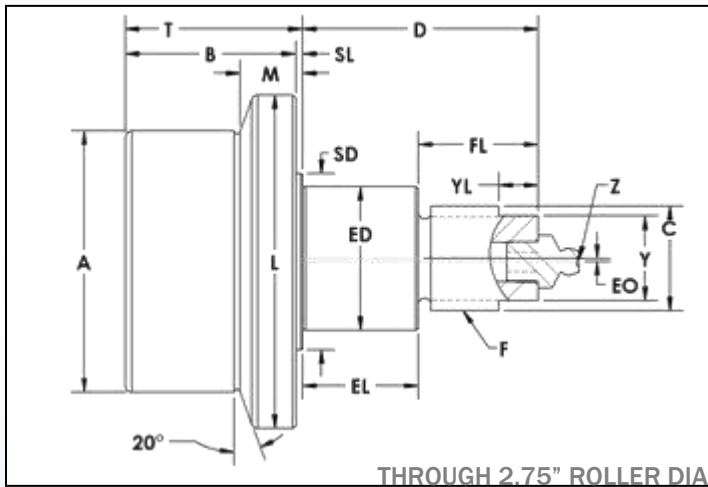
Stud Type Track Roller Part Number	Basic Radial Dynamic Load Rating (N)	Basic Radial Static Load Rating (N)	Thrust Dynamic Load Rating (N)	Thrust Static Load Rating (N)	Stud Capacity (N)	Retaining Ring Capacity (N)	Max. Clamping Torque (Nm)*	Seal Type	Bearing Type	Approx. Roller Weight (Kg)
	C	C								
MFTRE-26	4,250	2,130	1,470	265	2,600	2,090	20	Rubber Lip	DGBB	0.1
MFTRE-30	4,250	2,130	1,470	265	2,600	2,090	20	Rubber Lip	DGBB	0.1
MFTRE-32	5,470	2,840	1,900	350	4,300	2,090	20	Rubber Lip	DGBB	0.2
MFTRE-35	5,470	2,840	1,900	350	4,300	2,090	20	Rubber Lip	DGBB	0.2
MFTRE-40	11,790	6,200	4,890	1,540	7,400	2,440	20	Rubber Lip	DGBB	0.3
MFTRE-40-1	11,790	6,200	4,890	1,540	7,400	2,440	20	Rubber Lip	DGBB	0.2
MFTRE-47	11,790	6,200	4,890	1,540	7,400	2,440	20	Rubber Lip	DGBB	0.5
MFTRE-50	16,120	9,500	6,950	2,375	20,700	4,000	68	Rubber Lip	DGBB	0.7
MFTRE-52	16,120	9,500	6,950	2,375	20,700	4,000	68	Rubber Lip	DGBB	0.8
MFTRE-62	20,732	13,398	9,236	3,350	21,200	5,960	68	Rubber Lip	DGBB	1.2
MFTRE-62-1	20,732	13,398	9,236	3,350	21,200	5,960	68	Rubber Lip	DGBB	1.2
MFTRE-72	48,300	33,950	17,800	20,330	20,820	-	68	Rubber Dual Lip	TRB	1.3
MFTRE-76	63,600	89,000	25,700	53,400	52,780	-	136	Rubber Dual Lip	TRB	2.2
MFTRE-80	63,600	89,000	25,700	53,400	52,780	-	136	Rubber Dual Lip	TRB	2.4
MFTRE-85	63,600	89,000	25,700	53,400	52,780	-	136	Rubber Dual Lip	TRB	2.8
MFTRE-90	63,600	89,000	25,700	53,400	52,780	-	136	Rubber Dual Lip	TRB	3.0
MFTRE-100-1	63,600	89,000	25,700	53,400	52,780	-	136	Rubber Dual Lip	TRB	3.7
MFTRE-100	63,600	89,000	25,700	53,400	52,780	-	136	Rubber Dual Lip	TRB	3.5
MFTRE-125	159,000	259,700	59,000	142,700	143,500	-	136	Rubber Dual Lip	TRB	8.9
MFTRE-150	159,000	249,000	62,900	146,300	411,900	-	136	Rubber Dual Lip	TRB	13.1

# FTRE-R Series Track Roller Assembly

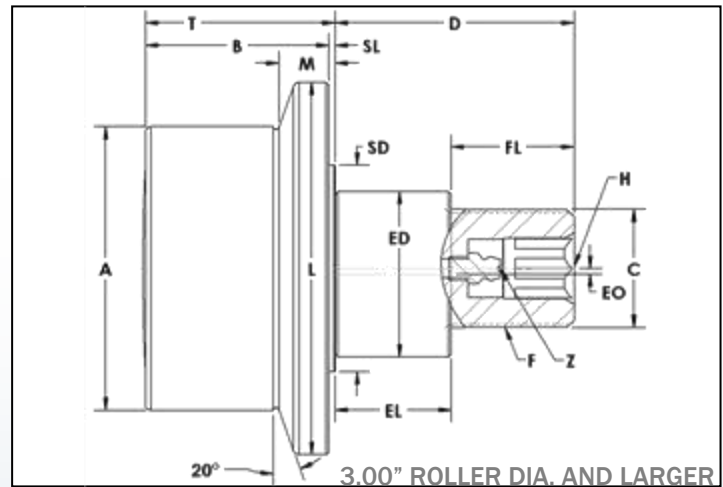
Flanged – Stud Type Eccentric  
Ball & Tapered Roller Bearings - Regreasable



(989)358-6148  
www.pcimfg.com



THROUGH 2.75" ROLLER DIA



3.00" ROLLER DIA. AND LARGER

Stud Type Track Roller Part Number	A	B	C	D	ED	EL	EO	F	FL	H	L	M	SD	SL	T	Y	YL	Z
	Roller Dia. +0.00 -0.01	Roller Width	Stud Dia.	Stud Length	Ecc Dia +0.00 -0.002	Ecc Length	Ecc Offset	Thread Size	Thread Length	Hex Size	Flange Dia	Flange Width	Shoulder Dia.	Shoulder Length	Roller Width + Shoulder Length	Wrench Flat	Wrench Flat Length	Lube Size
FTRE-1.00-R	1.000	0.75	0.437	1.00	0.625	0.480	0.030	7/16 - 20	0.52	-	1.38	0.22	0.7	0.03	0.78	0.312	0.250	1/8 Drive
FTRE-1.125-R	1.125	0.75	0.437	1.00	0.625	0.480	0.030	7/16 - 20	0.52	-	1.50	0.22	0.7	0.03	0.78	0.312	0.250	1/8 Drive
FTRE-1.25-R	1.250	0.81	0.500	1.25	0.687	0.605	0.030	1/2 - 20	0.65	-	1.56	0.22	0.8	0.03	0.84	0.375	0.250	1/8 Drive
FTRE-1.375-R	1.375	0.81	0.500	1.25	0.687	0.605	0.030	1/2 - 20	0.65	-	1.69	0.22	0.8	0.03	0.84	0.375	0.250	1/8 Drive
FTRE-1.50-2-R	1.500	1.00	0.500	1.38	0.687	0.605	0.030	1/2 - 20	0.75	-	2.00	0.34	0.8	0.06	1.06	0.375	0.250	1/8 Drive
FTRE-1.50-R	1.500	1.13	0.625	1.50	0.875	0.730	0.030	5/8 - 18	0.77	-	2.19	0.34	1.1	0.06	1.19	0.500	0.375	1/4-28 UNF
FTRE-1.75-R	1.750	1.13	0.750	1.75	1.000	0.855	0.030	3/4 - 16	0.90	-	2.44	0.34	1.3	0.06	1.19	0.625	0.375	1/8-27 NPT
FTRE-2.00-R	2.000	1.63	0.875	2.00	1.187	0.980	0.030	7/8 - 14	1.02	-	2.69	0.59	1.5	0.06	1.69	0.625	0.375	1/8-27 NPT
FTRE-2.00-9-R	2.000	1.63	0.875	2.00	1.187	0.980	0.030	7/8 - 14	1.02	-	2.69	0.59*	1.5	0.06	1.69	0.625	0.375	1/8-27 NPT
FTRE-2.25-R	2.250	1.63	0.875	2.00	1.187	0.980	0.030	7/8 - 14	1.02	-	2.94	0.59	1.5	0.06	1.69	0.625	0.375	1/8-27 NPT
FTRE-2.50-R	2.500	1.63	1.000	2.25	1.375	1.105	0.030	1 - 14	1.15	-	3.19	0.59	1.7	0.06	1.69	0.875	0.375	1/8-27 NPT
FTRE-2.50E-R	2.500	1.75	1.000	2.25	1.375	1.105	0.030	1 - 14	1.15	-	3.19	0.59	1.7	0.06	1.81	0.875	0.375	1/8-27 NPT
FTRE-2.75-R	2.750	1.63	1.000	2.25	1.375	1.105	0.030	1 - 14	1.15	-	3.44	0.59	1.7	0.06	1.69	0.875	0.375	1/8-27 NPT
FTRE-2.75E-R	2.750	1.75	1.000	2.25	1.375	1.105	0.030	1 - 14	1.15	-	3.44	0.59	1.7	0.06	1.81	0.875	0.375	1/8-27 NPT
FTRE-3.00A-R	3.000	1.94	1.250	2.50	1.750	1.230	0.060	1 1/4 - 12	1.27	5/8	3.94	0.59	2.2	0.06	2.00	-	-	1/4-28 UNF
FTRE-3.00-R	3.000	1.94	1.250	2.50	1.750	1.230	0.060	1 1/4 - 12	1.27	5/8	3.94	0.59	2.2	0.06	2.00	-	-	1/4-28 UNF
FTRE-3.25A-R	3.250	1.94	1.250	2.50	1.750	1.230	0.060	1 1/4 - 12	1.27	5/8	4.19	0.59	2.2	0.06	2.00	-	-	1/4-28 UNF
FTRE-3.25-R	3.250	1.94	1.250	2.50	1.750	1.230	0.060	1 1/4 - 12	1.27	5/8	4.19	0.59	2.2	0.06	2.00	-	-	1/4-28 UNF
FTRE-3.50A-R	3.500	1.94	1.250	2.75	1.812	1.355	0.060	1 1/4 - 12	1.40	5/8	4.44	0.59	2.2	0.06	2.00	-	-	1/4-28 UNF
FTRE-3.50-R	3.500	1.94	1.250	2.75	1.812	1.355	0.060	1 1/4 - 12	1.40	5/8	4.44	0.59	2.2	0.06	2.00	-	-	1/4-28 UNF
FTRE-4.00A-R	4.000	1.94	1.250	2.75	1.812	1.355	0.060	1 1/4 - 12	1.40	5/8	4.94	0.59	2.2	0.06	2.00	-	-	1/4-28 UNF
FTRE-4.00-R	4.000	1.94	1.250	2.75	1.812	1.355	0.060	1 1/4 - 12	1.40	5/8	4.94	0.59	2.2	0.06	2.00	-	-	1/4-28 UNF
FTRE-4.50-R	4.500	1.94	1.250	2.75	1.812	1.355	0.060	1 1/4 - 12	1.40	5/8	5.44	0.59	2.2	0.06	2.00	-	-	1/4-28 UNF
FTRE-4.75-R	4.750	1.94	1.250	2.75	1.812	1.355	0.060	1 1/4 - 12	1.40	5/8	5.75	0.59	2.2	0.06	2.00	-	-	1/4-28 UNF
FTRE-5.00-R	5.000	2.94	2.000	4.50	2.625	2.125	0.060	2 - 12	2.38	5/8	5.94	0.72	3.3	0.06	3.00	-	-	1/4-28 UNF
FTRE-6.00-R	6.000	2.94	2.500	5.50	3.125	2.875	0.060	2 1/2 - 12	2.63	5/8	6.94	0.72	3.6	0.06	3.00	-	-	1/4-28 UNF

\*FTRE-2.00-9 has a 90° Square Flange in place of the standard 20° Flange

# FTRE-R Series Track Roller Assembly

Flanged – Stud Type Eccentric  
Ball & Tapered Roller Bearings - Regreasable



(989)358-6148  
www.pcimfg.com



## ADDITIONAL NOTES

\*For lubricated threads, use half the maximum clamping torque value shown.

DGGB: Deep Groove Ball Bearings – Alloy Steel  
TRB: Tapered Roller Bearings – Alloy Steel

FEATURING ∞ INFINITY ROLLER™ TECHNOLOGY

Jam Nut & Lock Washer sets are available at an additional cost.

Specifications subject to change without notice.

Stud Type Track Roller Part Number	Basic Radial Dynamic Load Rating (lbs) C	Basic Radial Static Load Rating (lbs) Co	Thrust Dynamic Load Rating (lbs)	Thrust Static Load Rating (lbs)	Stud Capacity (lbs)	Retaining Ring Capacity (lbs)	Max. Clamping Torque (in-lbs)*	Seal Type	Bearing Type	Approx. Roller Weight (lbs)
FTRE-1.00-R	956	480	331	60	380	470	250	Rubber Lip	DGGB	0.22
FTRE-1.125-R	956	480	331	60	380	470	250	Rubber Lip	DGGB	0.27
FTRE-1.25-R	1,231	640	430	80	710	470	250	Rubber Lip	DGGB	0.34
FTRE-1.375-R	1,231	640	430	80	710	470	250	Rubber Lip	DGGB	0.41
FTRE-1.50-2-R	1,857	1,075	662	134	740	470	350	Rubber Lip	DGGB	0.59
FTRE-1.50-R	2,651	1,394	1,101	348	1,220	550	650	Rubber Lip	DGGB	0.76
FTRE-1.75-R	2,651	1,394	1,101	348	1,220	550	650	Rubber Lip	DGGB	1.08
FTRE-2.00-R	3,624	2,136	1,563	534	2,840	900	650	Rubber Lip	DGGB	1.96
FTRE-2.00-9-R	3,624	2,136	1,563	534	2,840	900	650	Rubber Lip	DGGB	2.00
FTRE-2.25-R	3,624	2,136	1,563	534	3,490	900	650	Rubber Lip	DGGB	2.37
FTRE-2.50-R	5,390	3,507	2,407	877	6,280	1,340	650	Rubber Lip	DGGB	2.87
FTRE-2.50E-R	10,880	7,630	4,010	4,570	5,970	-	1,500	Rubber Dual Lip	TRB	3.06
FTRE-2.75-R	5,390	3,507	2,407	877	6,540	1,340	650	Rubber Lip	DGGB	3.38
FTRE-2.75E-R	10,880	7,630	4,010	4,570	6,200	-	1,500	Rubber Dual Lip	TRB	3.47
FTRE-3.00A-R	7,393	5,036	3,358	1,259	10,800	1,950	1,500	Rubber Lip	DGGB	5.15
FTRE-3.00-R	14,300	20,000	5,790	12,000	10,800	-	1,500	Rubber Dual Lip	TRB	5.19
FTRE-3.25A-R	7,393	5,036	3,358	1,259	10,800	1,950	1,500	Rubber Lip	DGGB	5.85
FTRE-3.25-R	14,300	20,000	5,790	12,000	10,800	-	1,500	Rubber Dual Lip	TRB	5.90
FTRE-3.50A-R	7,393	5,036	3,358	1,259	10,800	1,950	1,500	Rubber Lip	DGGB	6.81
FTRE-3.50-R	14,300	20,000	5,790	12,000	10,800	-	1,500	Rubber Dual Lip	TRB	6.87
FTRE-4.00A-R	7,393	5,036	3,358	1,259	10,800	1,950	1,500	Rubber Lip	DGGB	8.48
FTRE-4.00-R	14,300	20,000	5,790	12,000	10,800	-	1,500	Rubber Dual Lip	TRB	8.82
FTRE-4.50-R	14,300	20,000	5,790	12,000	10,800	-	1,500	Rubber Dual Lip	TRB	10.52
FTRE-4.75-R	14,300	20,000	5,790	12,000	10,800	-	1,500	Rubber Dual Lip	TRB	11.47
FTRE-5.00-R	35,870	58,400	13,310	32,100	30,800	-	1,500	Rubber Dual Lip	TRB	21.62
FTRE-6.00-R	35,830	56,200	14,150	32,900	60,150	-	1,500	Rubber Dual Lip	TRB	32.75

# FTRY Series Track Roller Assembly

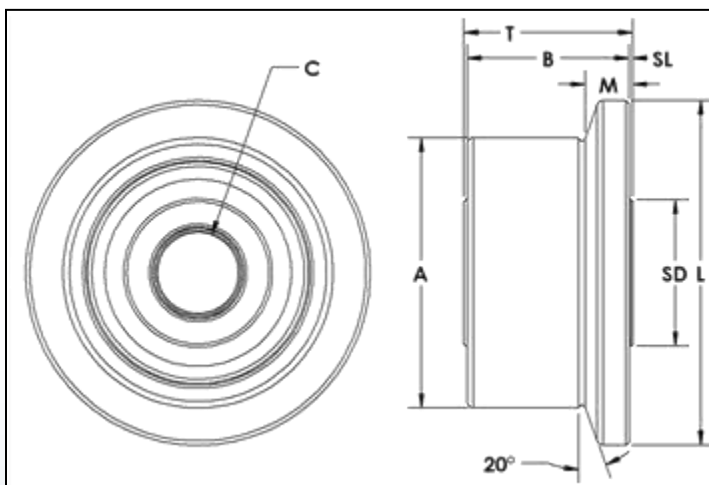
Flanged – Yoke Type

Ball & Tapered Roller Bearings



(989)358-6148

www.pcimfg.com



FEATURING  
∞ INFINITY ROLLER™  
TECHNOLOGY

Ask About Cost Savings Options (CSO)  
Similar to what other mfg.'s provide

Yoke Type Track Roller Part Number	A Roller Dia. +.000 -.001	B Roller Width	C Bore Dia. +.0007 -.0000	L Flange Dia	M Flange Width	SD Shoulder Dia.	SL Shoulder Length	T Inner Race Width +.005 -.010
FTRY-1.50	1.500	0.88	0.4380	2.19	0.22	0.9	0.03	0.937
FTRY-1.75	1.750	1.00	0.5005	2.44	0.25	0.9	0.03	1.063
FTRY-2.00	2.000	1.25	0.6255	2.69	0.31	1.1	0.03	1.313
FTRY-2.25	2.250	1.25	0.6255	2.94	0.31	1.1	0.03	1.313
FTRY-2.50	2.500	1.50	0.7505	3.19	0.50	1.2	0.03	1.563
FTRY-2.50E	2.500	1.50	0.7505	3.19	0.50	1.3	0.03	1.563
FTRY-2.75	2.750	1.50	0.7505	3.44	0.50	1.2	0.03	1.563
FTRY-2.75E	2.750	1.50	0.7505	3.44	0.50	1.3	0.03	1.563
FTRY-3.00A	3.000	1.75	1.0005	3.94	0.59	1.8	0.03	1.813
FTRY-3.00	3.000	1.75	1.0005	3.94	0.59	1.8	0.03	1.813
FTRY-3.25A	3.250	1.75	1.0005	4.19	0.59	1.8	0.03	1.813
FTRY-3.25	3.250	1.75	1.0005	4.19	0.59	1.8	0.03	1.813
FTRY-3.50A	3.500	2.00	1.1255	4.44	0.59	2.0	0.03	2.063
FTRY-3.50	3.500	2.00	1.1255	4.44	0.59	2.0	0.03	2.063
FTRY-4.00A	4.000	2.25	1.2505	4.94	0.59	2.0	0.03	2.313
FTRY-4.00	4.000	2.25	1.2505	4.94	0.59	2.0	0.03	2.313
FTRY-5.00	5.000	2.75	1.7508	5.94	0.72	3.2	0.06	2.875
FTRY-6.00	6.000	3.25	2.2508	6.94	0.72	3.5	0.06	3.375
FTRY-7.00	7.000	3.75	2.7508	7.94	0.72	4.1	0.06	3.875
FTRY-8.00	8.000	4.25	3.2560	8.94	0.72	4.7	0.13	4.500
FTRY-9.00	9.000	4.75	3.7560	9.94	0.72	5.3	0.13	5.000
FTRY-10.00	10.000	5.25	4.2560	10.94	0.72	6.5	0.13	5.500
FTRY-12.00	12.000	5.25	4.2560	12.94	0.72	6.5	0.13	5.500
FTRY-14.00	14.000	5.25	4.2560	14.94	0.72	6.5	0.13	5.500
FTRY-16.00	16.000	5.25	4.2560	16.94	0.72	6.5	0.13	5.500
FTRY-18.00	18.000	5.25	4.2560	18.94	0.72	6.5	0.13	5.500
FTRY-20.00	20.000	5.25	4.2560	20.94	0.72	6.5	0.13	5.500

Optional PCI Yoke Shaft	Optional PCI Eccentric Yoke Shaft
YSH-.437	YSHE-.437
YSH-.500	YSHE-.500
YSH-.625	YSHE-.625
YSH-.625	YSHE-.625
YSH-.750	YSHE-.750
YSH-.750	YSHE-.750
YSH-.750	YSHE-.750
YSH-.750	YSHE-.750
YSH-1.000	YSHE-1.000
YSH-1.000	YSHE-1.000
YSH-1.000	YSHE-1.000
YSH-1.000	YSHE-1.000
YSH-1.125	YSHE-1.125
YSH-1.125	YSHE-1.125
YSH-1.250	YSHE-1.250
YSH-1.250	YSHE-1.250
YSH-1.750	YSHE-1.750
YSH-2.250	YSHE-2.250
YSH-2.750	YSHE-2.750
YSH-3.250	-
YSH-3.750	-
YSH-4.250	-
YSH-4.250	-
YSH-4.250	-
YSH-4.250	-
YSH-4.250	-

# FTRY Series Track Roller Assembly

Flanged – Yoke Type  
Ball & Tapered Roller Bearings



## ADDITIONAL NOTES

DGGB: Deep Groove Ball Bearings – Alloy Steel  
TRB: Tapered Roller Bearings – Alloy Steel

FEATURING ∞ INFINITY ROLLER™ TECHNOLOGY  
Ask About Cost Savings Options (CSO)  
Similar to what other mfg.'s provide

PCI Heavy Duty Yoke Shafts are available at an additional cost. See YSH page for details.

Specifications subject to change without notice.

Yoke Type Track Roller Part Number	Basic Radial Dynamic Load Rating (lbs) C	Basic Radial Static Load Rating (lbs) Co	Thrust Dynamic Load Rating (lbs)	Thrust Static Load Rating (lbs)	Seal Type	Bearing Type	Approx. Roller Weight (lbs)
FTRY-1.50	1,683	1,147	764	287	Rubber Lip	DGGB	0.37
FTRY-1.75	1,683	1,147	764	287	Rubber Lip	DGGB	0.59
FTRY-2.00	3,624	2,248	1,591	562	Rubber Lip	DGGB	1.07
FTRY-2.25	3,624	2,248	1,591	562	Rubber Lip	DGGB	1.4
FTRY-2.50	5,390	3,507	2,407	877	Rubber Lip	DGGB	1.84
FTRY-2.50E	10,880	7,630	4,010	4,570	Rubber Dual Lip	TRB	1.92
FTRY-2.75	5,390	3,507	2,407	877	Rubber Lip	DGGB	2.37
FTRY-2.75E	10,880	7,630	4,010	4,570	Rubber Dual Lip	TRB	2.39
FTRY-3.00A	6,118	4,586	2,884	1,147	Rubber Lip	DGGB	3.16
FTRY-3.00	14,300	20,000	5,790	12,000	Rubber Dual Lip	TRB	3.38
FTRY-3.25A	6,118	4,586	2,884	1,147	Rubber Lip	DGGB	3.83
FTRY-3.25	14,300	20,000	5,790	12,000	Rubber Dual Lip	TRB	4.03
FTRY-3.50A	6,483	5,216	3,145	1,304	Rubber Lip	DGGB	4.8
FTRY-3.50	17,600	27,200	5,750	13,100	Rubber Dual Lip	TRB	5.16
FTRY-4.00A	6,483	5,216	3,145	1,304	Rubber Lip	DGGB	7.05
FTRY-4.00	17,600	27,200	5,750	13,100	Rubber Dual Lip	TRB	7.72
FTRY-5.00	35,870	58,400	13,310	32,100	Rubber Dual Lip	TRB	13.57
FTRY-6.00	35,830	56,200	14,150	32,900	Rubber Dual Lip	TRB	21.49
FTRY-7.00	42,400	79,800	17,400	48,400	Rubber Lip	TRB	32.03
FTRY-8.00	83,700	159,800	39,000	110,000	Rubber Lip	TRB	46.65
FTRY-9.00	134,600	250,000	53,600	147,000	Rubber Lip	TRB	64.76
FTRY-10.00	137,300	276,000	62,000	194,000	Rubber Lip	TRB	86.44
FTRY-12.00	137,300	276,000	62,000	194,000	Rubber Lip	TRB	137.78
FTRY-14.00	137,300	276,000	62,000	194,000	Rubber Lip	TRB	197.83
FTRY-16.00	137,300	276,000	62,000	194,000	Rubber Lip	TRB	267.06
FTRY-18.00	137,300	276,000	62,000	194,000	Rubber Lip	TRB	345.47
FTRY-20.00	137,300	276,000	62,000	194,000	Rubber Lip	TRB	433.06

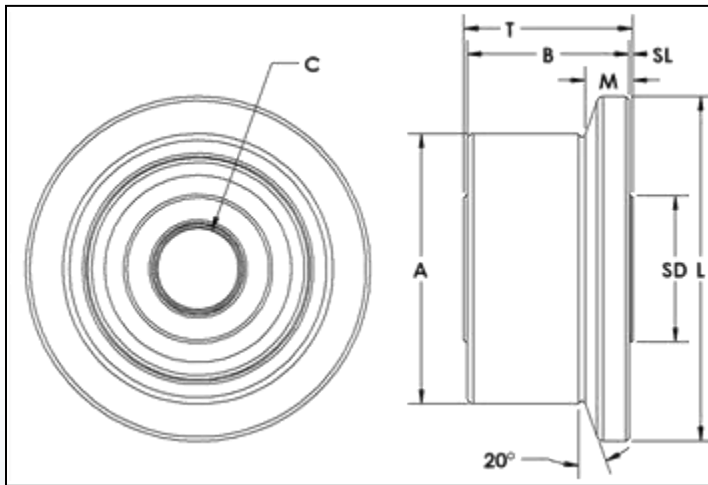


# MFTRY Series Track Roller Assembly

Metric - Flanged - Yoke Type  
Ball & Tapered Roller Bearings



(989)358-6148  
www.pcimfg.com



FEATURING  
∞ INFINITY ROLLER™  
TECHNOLOGY

Ask About Cost Savings Options (CSO)  
Similar to what other mfg.'s provide

Yoke Type Track Roller Part Numer	A	B	C	L	M	SD	SL	T
	Roller Dia. +.00 -.03 (mm)	Roller Width (mm)	Bore Dia. +.03 -.00 (mm)	Flange Dia (mm)	Flange Width (mm)	Shoulder Dia. (mm)	Shoulder Length (mm)	Inner Race Width +.13 -.25 (mm)
MFTRY-40	40	22	10	54	6	22	0.5	23
MFTRY-50	50	32	15	68	10	28	0.5	33
MFTRY-62	62	38	19	78	14	35	1	40
MFTRY-62-1	62	38	20	78	14	35	1	40
MFTRY-62E	62	38	20	78	14	32	1	40
MFTRY-72	72	38	19	90	14	35	1	40
MFTRY-76	76	44	25	98	14	45	1	46
MFTRY-80	80	44	25	102	14	45	1	46
MFTRY-85	85	44	25	107	14	45	1	46
MFTRY-90	90	54	30	112	14	57	1	56
MFTRY-100	100	54	30	122	14	57	1	56
MFTRY-125	125	68	45	148	18	83	1.5	71
MFTRY-150	150	70	55	173	18	89	1.5	73
MFTRY-200	200	76	70	223	18	108	1.5	79
MFTRY-250	250	76	70	273	18	108	1.5	79

Optional PCI Yoke Shaft	Optional PCI Eccentric Yoke Shaft
MYSH-10	MYSHE-10
MYSH-15	MYSHE-15
MYSH-19	MYSHE-19
MYSH-20	MYSHE-20
MYSH-20	MYSHE-20
MYSH-19	MYSHE-19
MYSH-25	MYSHE-25
MYSH-25	MYSHE-25
MYSH-25	MYSHE-25
MYSH-30	MYSHE-30
MYSH-30	MYSHE-30
MYSH-45	MYSHE-45
MYSH-55	MYSHE-55
MYSH-70	MYSHE-70
MYSH-70	MYSHE-70

# MFTRY Series Track Roller Assembly

Metric - Flanged – Yoke Type  
Ball & Tapered Roller Bearings



## ADDITIONAL NOTES

DGGB: Deep Groove Ball Bearings – Alloy Steel  
TRB: Tapered Roller Bearings – Alloy Steel

FEATURING ∞ INFINITY ROLLER™ TECHNOLOGY  
Ask About Cost Savings Options (CSO)  
Similar to what other mfg.'s provide

PCI Heavy Duty Yoke Shafts are available at an additional cost. See YSH page for details.

Specifications subject to change without notice.

Roller Diameter (mm)	Basic Radial Dynamic Load Rating (N) C	Basic Radial Static Load Rating (N) Co	Thrust Dynamic Load Rating (N)	Thrust Static Load Rating (N)	Seal Type	Bearing Type	Approx. Roller Weight (Kg)
MFTRY-40	7,480	5,100	3,390	1,270	Rubber Lip	DGGB	0.19
MFTRY-50	16,120	10,000	7,077	2,500	Rubber Lip	DGGB	0.45
MFTRY-62	19,270	13,100	8,750	3,270	Rubber Lip	DGGB	0.81
MFTRY-62-1	19,270	13,100	8,750	3,270	Rubber Lip	DGGB	0.80
MFTRY-62E	48,350	33,940	17,837	20,328	Rubber Dual Lip	TRB	1.62
MFTRY-72	23,970	15,600	10,700	3,900	Rubber Lip	DGGB	1.14
MFTRY-76	63,600	89,000	25,700	53,400	Rubber Dual Lip	TRB	1.42
MFTRY-80	63,600	89,000	25,700	53,400	Rubber Dual Lip	TRB	1.59
MFTRY-85	63,600	89,000	25,700	53,400	Rubber Dual Lip	TRB	1.82
MFTRY-90	78,200	120,990	25,570	58,270	Rubber Dual Lip	TRB	2.35
MFTRY-100	78,200	120,990	25,570	58,270	Rubber Dual Lip	TRB	3.00
MFTRY-125	159,000	259,700	59,000	142,700	Rubber Dual Lip	TRB	5.74
MFTRY-150	159,000	249,000	62,900	146,300	Rubber Dual Lip	TRB	7.95
MFTRY-200	257,000	366,000	108,000	131,000	Metallic Shield	TRB	15.15
MFTRY-250	257,000	366,000	108,000	131,000	Metallic Shield	TRB	25.70



# FTRY-R Series Track Roller Assembly

Flanged – Yoke Type

Ball & Tapered Roller Bearings - Regreasable



(989)358-6148  
www.pcimfg.com



## ADDITIONAL NOTES

DGBB: Deep Groove Ball Bearings – Alloy Steel  
TRB: Tapered Roller Bearings – Alloy Steel

FEATURING ∞ INFINITY ROLLER™ TECHNOLOGY

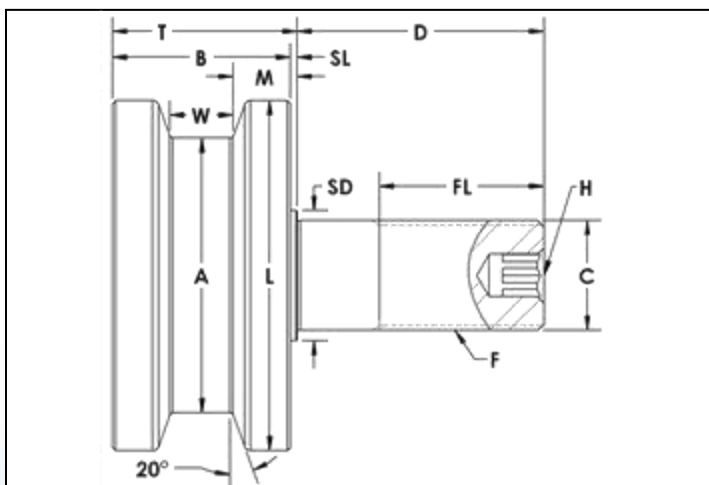
PCI Heavy Duty Yoke Shafts are available at an additional cost. See YSH page for details.

Specifications subject to change without notice.

Yoke Type Track Roller Part Number	Basic Radial Dynamic Load Rating (lbs) C	Basic Radial Static Load Rating (lbs) Co	Thrust Dynamic Load Rating (lbs)	Thrust Static Load Rating (lbs)	Seal Type	Bearing Type	Approx. Roller Weight (lbs)
FTRY-1.50-R	1,683	1,147	764	287	Rubber Lip	DGBB	0.37
FTRY-1.75-R	1,683	1,147	764	287	Rubber Lip	DGBB	0.59
FTRY-2.00-R	3,624	2,248	1,591	562	Rubber Lip	DGBB	1.07
FTRY-2.25-R	3,624	2,248	1,591	562	Rubber Lip	DGBB	1.4
FTRY-2.50-R	5,390	3,507	2,407	877	Rubber Lip	DGBB	1.84
FTRY-2.50E-R	10,880	7,630	4,010	4,570	Rubber Dual Lip	TRB	1.92
FTRY-2.75-R	5,390	3,507	2,407	877	Rubber Lip	DGBB	2.37
FTRY-2.75E-R	10,880	7,630	4,010	4,570	Rubber Dual Lip	TRB	2.39
FTRY-3.00A-R	6,118	4,586	2,884	1,147	Rubber Lip	DGBB	3.16
FTRY-3.00-R	14,300	20,000	5,790	12,000	Rubber Dual Lip	TRB	3.38
FTRY-3.25A-R	6,118	4,586	2,884	1,147	Rubber Lip	DGBB	3.83
FTRY-3.25-R	14,300	20,000	5,790	12,000	Rubber Dual Lip	TRB	4.03
FTRY-3.50A-R	6,483	5,216	3,145	1,304	Rubber Lip	DGBB	4.8
FTRY-3.50-R	17,600	27,200	5,750	13,100	Rubber Dual Lip	TRB	5.16
FTRY-4.00A-R	6,483	5,216	3,145	1,304	Rubber Lip	DGBB	7.05
FTRY-4.00-R	17,600	27,200	5,750	13,100	Rubber Dual Lip	TRB	7.72
FTRY-5.00-R	35,870	58,400	13,310	32,100	Rubber Dual Lip	TRB	13.57
FTRY-6.00-R	35,830	56,200	14,150	32,900	Rubber Dual Lip	TRB	21.49
FTRY-7.00-R	42,400	79,800	17,400	48,400	Rubber Lip	TRB	32.03
FTRY-8.00-R	83,700	159,800	39,000	110,000	Rubber Lip	TRB	46.65
FTRY-9.00-R	134,600	250,000	53,600	147,000	Rubber Lip	TRB	64.76
FTRY-10.00-R	137,300	276,000	62,000	194,000	Rubber Lip	TRB	86.44
FTRY-12.00-R	137,300	276,000	62,000	194,000	Rubber Lip	TRB	137.78
FTRY-14.00-R	137,300	276,000	62,000	194,000	Rubber Lip	TRB	197.83
FTRY-16.00-R	137,300	276,000	62,000	194,000	Rubber Lip	TRB	267.06
FTRY-18.00-R	137,300	276,000	62,000	194,000	Rubber Lip	TRB	345.47
FTRY-20.00-R	137,300	276,000	62,000	194,000	Rubber Lip	TRB	433.06

# FFTR Series Track Roller Assembly

Double Flanged – Stud Type Concentric  
Ball & Tapered Roller Bearings



FEATURING  
∞ INFINITY ROLLER™  
TECHNOLOGY

Ask About Cost Savings Options (CSO)  
Similar to what other mfg.'s provide

Stud Type Track Roller Part Number	A	B	C	D	F	FL	H	L	M	SD	SL	T	W
	Roller Dia.	Roller Width	Stud Dia. +0.000 -0.001	Stud Length	Thread Size	Thread Length	Hex Size	Flange Dia	Flange Width	Shoulder Dia.	Shoulder Length	Roller Width + Shoulder Length	Tread Width
FFTR-1.00	1.00	0.75	0.437	1.00	7/16 - 20	0.50	3/16	1.38	0.22	0.5	0.03	0.78	0.37
FFTR-1.125	1.13	0.75	0.437	1.00	7/16 - 20	0.50	3/16	1.50	0.22	0.5	0.03	0.78	0.37
FFTR-1.25	1.25	0.81	0.500	1.25	1/2 - 20	0.63	3/16	1.56	0.22	0.6	0.03	0.84	0.43
FFTR-1.375	1.38	0.81	0.500	1.25	1/2 - 20	0.63	3/16	1.69	0.22	0.6	0.03	0.84	0.43
FFTR-1.50	1.50	1.13	0.625	1.50	5/8 - 18	0.75	5/16	2.19	0.34	0.8	0.06	1.19	0.57
FFTR-1.75	1.75	1.13	0.750	1.75	3/4 - 16	0.88	5/16	2.44	0.34	0.9	0.06	1.19	0.57
FFTR-2.00	2.00	1.63	0.875	2.00	7/8 - 14	1.13	5/16	2.69	0.59	1.0	0.06	1.69	0.57
FFTR-2.25	2.25	1.63	0.875	2.00	7/8 - 14	1.13	5/16	2.94	0.59	1.0	0.06	1.69	0.57
FFTR-2.50	2.50	1.63	1.000	2.25	1 - 14	1.50	3/8	3.19	0.59	1.2	0.06	1.69	0.57
FFTR-2.50E	2.50	1.75	1.000	2.25	1 - 14	1.50	3/8	3.19	0.59	1.3	0.06	1.81	0.69
FFTR-2.75	2.75	1.63	1.000	2.25	1 - 14	1.50	3/8	3.44	0.59	1.2	0.06	1.69	0.57
FFTR-2.75E	2.75	1.75	1.000	2.25	1 - 14	1.50	3/8	3.44	0.59	1.3	0.06	1.81	0.69
FFTR-3.00A	3.00	1.94	1.250	2.50	1 1/4 - 12	1.75	1/2	3.94	0.59	1.5	0.06	2.00	0.88
FFTR-3.00	3.00	1.94	1.250	2.50	1 1/4 - 12	1.75	1/2	3.94	0.59	1.8	0.06	2.00	0.88
FFTR-3.25A	3.25	1.94	1.250	2.50	1 1/4 - 12	1.75	1/2	4.19	0.59	1.5	0.06	2.00	0.88
FFTR-3.25	3.25	1.94	1.250	2.50	1 1/4 - 12	1.75	1/2	4.19	0.59	1.8	0.06	2.00	0.88
FFTR-3.50A	3.50	1.94	1.250	2.75	1 1/4 - 12	1.75	1/2	4.44	0.59	1.5	0.06	2.00	0.88
FFTR-3.50	3.50	1.94	1.250	2.75	1 1/4 - 12	1.75	1/2	4.44	0.59	1.8	0.06	2.00	0.88
FFTR-4.00A	4.00	1.94	1.250	2.75	1 1/4 - 12	1.75	1/2	4.94	0.59	1.5	0.06	2.00	0.88
FFTR-4.00	4.00	1.94	1.250	2.75	1 1/4 - 12	1.75	1/2	4.94	0.59	1.8	0.06	2.00	0.88
FFTR-4.50	4.50	1.94	1.250	2.75	1 1/4 - 12	1.75	1/2	5.44	0.59	1.8	0.06	2.00	0.88
FFTR-4.75	4.75	1.94	1.250	2.75	1 1/4 - 12	1.75	1/2	5.75	0.59	1.8	0.06	2.00	0.88
FFTR-5.00	5.00	2.94	2.000	4.50	2 - 12	2.50	5/8	5.94	0.72	3.0	0.06	3.00	1.62
FFTR-6.00	6.00	2.94	2.500	5.50	2 1/2 - 12	3.25	5/8	6.94	0.72	3.5	0.06	3.00	1.62
FFTR-7.00	7.00	2.94	2.500	5.50	2 1/2 - 12	3.25	5/8	7.94	0.72	3.5	0.06	3.00	1.62
FFTR-8.00	8.00	2.94	2.500	5.50	2 1/2 - 12	3.25	5/8	8.94	0.72	3.5	0.06	3.00	1.62
FFTR-10.00	10.00	2.94	2.500	5.50	2 1/2 - 12	3.25	5/8	10.94	0.72	3.5	0.06	3.00	1.62

# FFTR Series Track Roller Assembly

Double Flanged – Stud Type Concentric  
Ball & Tapered Roller Bearings



## ADDITIONAL NOTES

\*For lubricated threads, use half the maximum clamping torque value shown.

DGBB: Deep Groove Ball Bearings – Alloy Steel  
TRB: Tapered Roller Bearings – Alloy Steel

FEATURING ∞ INFINITY ROLLER™ TECHNOLOGY  
Ask About Cost Savings Options (CSO)  
Similar to what other mfg.'s provide

Jam Nut & Lock Washer sets are available at an additional cost.

Specifications subject to change without notice.

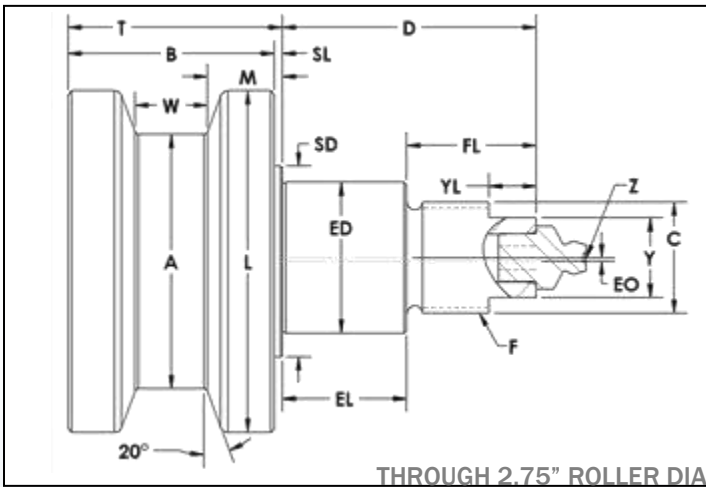
Stud Type Track Roller Part Number	Basic Radial Dynamic Load Rating (lbs) C	Basic Radial Static Load Rating (lbs) Co	Thrust Dynamic Load Rating (lbs)	Thrust Static Load Rating (lbs)	Stud Capacity (lbs)	Retaining Ring Capacity (lbs)	Max. Clamping Torque (in-lbs)*	Seal Type	Bearing Type	Approx. Roller Weight (lbs)
FFTR-1.00	956	480	331	60	380	470	180	Rubber Lip	DGBB	0.23
FFTR-1.125	956	480	331	60	380	470	180	Rubber Lip	DGBB	0.28
FFTR-1.25	1,231	640	430	80	700	470	180	Rubber Lip	DGBB	0.34
FFTR-1.375	1,231	640	430	80	700	470	180	Rubber Lip	DGBB	0.41
FFTR-1.50	2,651	1,394	1,101	348	1,210	550	350	Rubber Lip	DGBB	0.81
FFTR-1.75	2,651	1,394	1,101	348	1,210	550	650	Rubber Lip	DGBB	1.14
FFTR-2.00	3,624	2,136	1,563	534	2,840	900	650	Rubber Lip	DGBB	2.15
FFTR-2.25	3,624	2,136	1,563	534	2,840	900	650	Rubber Lip	DGBB	2.49
FFTR-2.50	5,390	3,507	2,407	877	6,280	1,340	650	Rubber Lip	DGBB	3.16
FFTR-2.50E	10,880	7,630	4,010	4,570	5,970	-	1,500	Rubber Dual Lip	TRB	3.31
FFTR-2.75	5,390	3,507	2,407	877	6,540	1,340	650	Rubber Lip	DGBB	3.72
FFTR-2.75E	10,880	7,630	4,010	4,570	6,200	-	1,500	Rubber Dual Lip	TRB	3.90
FFTR-3.00A	7,393	5,036	3,358	1,259	10,800	1,950	1,500	Rubber Lip	DGBB	5.25
FFTR-3.00	14,300	20,000	5,790	12,000	10,800	-	1,500	Rubber Dual Lip	TRB	5.46
FFTR-3.25A	7,393	5,036	3,358	1,259	10,800	1,950	1,500	Rubber Lip	DGBB	5.89
FFTR-3.25	14,300	20,000	5,790	12,000	10,800	-	1,500	Rubber Dual Lip	TRB	6.24
FFTR-3.50A	7,393	5,036	3,358	1,259	10,800	1,950	1,500	Rubber Lip	DGBB	6.78
FFTR-3.50	14,300	20,000	5,790	12,000	10,800	-	1,500	Rubber Dual Lip	TRB	7.17
FFTR-4.00A	7,393	5,036	3,358	1,259	10,800	1,950	1,500	Rubber Lip	DGBB	8.55
FFTR-4.00	14,300	20,000	5,790	12,000	10,800	-	1,500	Rubber Dual Lip	TRB	9.01
FFTR-4.50	14,300	20,000	5,790	12,000	10,800	-	1,500	Rubber Dual Lip	TRB	10.76
FFTR-4.75	14,300	20,000	5,790	12,000	10,800	-	1,500	Rubber Dual Lip	TRB	12.25
FFTR-5.00	35,870	58,400	13,310	32,100	30,800	-	1,500	Rubber Dual Lip	TRB	21.39
FFTR-6.00	35,830	56,200	14,150	32,900	60,150	-	1,500	Rubber Dual Lip	TRB	31.82
FFTR-7.00	35,830	56,200	14,150	32,900	60,150	-	1,500	Rubber Dual Lip	TRB	39.74
FFTR-8.00	35,830	56,200	14,150	32,900	60,150	-	1,500	Rubber Dual Lip	TRB	49.83
FFTR-10.00	35,830	56,200	14,150	32,900	60,150	-	1,500	Rubber Dual Lip	TRB	73.83

# FFTR-R Series Track Roller Assembly

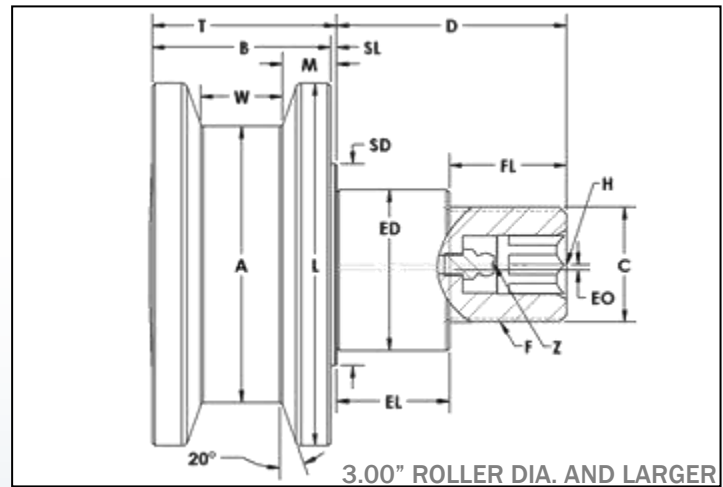
Double Flanged – Stud Type Concentric  
Ball & Tapered Roller Bearings - Regreasable



(989)358-6148  
www.pcimfg.com



THROUGH 2.75" ROLLER DIA



3.00" ROLLER DIA. AND LARGER

Stud Type Track Roller Part Number	A	B	C	D	F	FL	H	L	M	SD	SL	T	W	Y	YL	Z
	Roller Dia.	Roller Width	Stud Dia. +.000 -.001	Stud Length	Thread Size	Thread Length	Hex Size	Flange Dia	Flange Width	Shld. Dia	Shoulder Length	Roller Width + Shoulder Length	Tread Width	Wrench Flat	Wrench Flat Length	Lube Size
FFTR-1.00-R	1.00	0.75	0.437	1.00	7/16 - 20	0.50	-	1.38	0.22	0.5	0.03	0.78	0.37	0.312	0.250	1/8 Drive
FFTR-1.125-R	1.13	0.75	0.437	1.00	7/16 - 20	0.50	-	1.50	0.22	0.5	0.03	0.78	0.37	0.312	0.250	1/8 Drive
FFTR-1.25-R	1.25	0.81	0.500	1.25	1/2 - 20	0.63	-	1.56	0.22	0.6	0.03	0.84	0.43	0.375	0.250	1/8 Drive
FFTR-1.375-R	1.38	0.81	0.500	1.25	1/2 - 20	0.63	-	1.69	0.22	0.6	0.03	0.84	0.43	0.375	0.250	1/8 Drive
FFTR-1.50-R	1.50	1.13	0.625	1.50	5/8 - 18	0.75	-	2.19	0.34	0.8	0.06	1.19	0.57	0.500	0.375	1/4-28 UNF
FFTR-1.75-R	1.75	1.13	0.750	1.75	3/4 - 16	0.88	-	2.44	0.34	0.9	0.06	1.19	0.57	0.625	0.375	1/8-27 NPT
FFTR-2.00-R	2.00	1.63	0.875	2.00	7/8 - 14	1.13	-	2.69	0.59	1.0	0.06	1.69	0.57	0.625	0.375	1/8-27 NPT
FFTR-2.25-R	2.25	1.63	0.875	2.00	7/8 - 14	1.13	-	2.94	0.59	1.0	0.06	1.69	0.57	0.625	0.375	1/8-27 NPT
FFTR-2.50-R	2.50	1.63	1.000	2.25	1 - 14	1.50	-	3.19	0.59	1.2	0.06	1.69	0.57	0.875	0.375	1/8-27 NPT
FFTR-2.50E-R	2.50	1.75	1.000	2.25	1 - 14	1.50	-	3.19	0.59	1.3	0.06	1.81	0.69	0.875	0.375	1/8-27 NPT
FFTR-2.75-R	2.75	1.63	1.000	2.25	1 - 14	1.50	-	3.44	0.59	1.2	0.06	1.69	0.57	0.875	0.375	1/8-27 NPT
FFTR-2.75E-R	2.75	1.75	1.000	2.25	1 - 14	1.50	-	3.44	0.59	1.3	0.06	1.81	0.69	0.875	0.375	1/8-27 NPT
FFTR-3.00A-R	3.00	1.94	1.250	2.50	1 1/4 - 12	1.75	5/8	3.94	0.59	1.5	0.06	2.00	0.88	-	-	1/4-28 UNF
FFTR-3.00-R	3.00	1.94	1.250	2.50	1 1/4 - 12	1.75	5/8	3.94	0.59	1.8	0.06	2.00	0.88	-	-	1/4-28 UNF
FFTR-3.25A-R	3.25	1.94	1.250	2.50	1 1/4 - 12	1.75	5/8	4.19	0.59	1.5	0.06	2.00	0.88	-	-	1/4-28 UNF
FFTR-3.25-R	3.25	1.94	1.250	2.50	1 1/4 - 12	1.75	5/8	4.19	0.59	1.8	0.06	2.00	0.88	-	-	1/4-28 UNF
FFTR-3.50A-R	3.50	1.94	1.250	2.75	1 1/4 - 12	1.75	5/8	4.44	0.59	1.5	0.06	2.00	0.88	-	-	1/4-28 UNF
FFTR-3.50-R	3.50	1.94	1.250	2.75	1 1/4 - 12	1.75	5/8	4.44	0.59	1.8	0.06	2.00	0.88	-	-	1/4-28 UNF
FFTR-4.00A-R	4.00	1.94	1.250	2.75	1 1/4 - 12	1.75	5/8	4.94	0.59	1.5	0.06	2.00	0.88	-	-	1/4-28 UNF
FFTR-4.00-R	4.00	1.94	1.250	2.75	1 1/4 - 12	1.75	5/8	4.94	0.59	1.8	0.06	2.00	0.88	-	-	1/4-28 UNF
FFTR-4.50-R	4.50	1.94	1.250	2.75	1 1/4 - 12	1.75	5/8	5.44	0.59	1.8	0.06	2.00	0.88	-	-	1/4-28 UNF
FFTR-4.75-R	4.75	1.94	1.250	2.75	1 1/4 - 12	1.75	5/8	5.75	0.59	1.8	0.06	2.00	0.88	-	-	1/4-28 UNF
FFTR-5.00-R	5.00	2.94	2.000	4.50	2 - 12	2.50	5/8	5.94	0.72	3.0	0.06	3.00	1.62	-	-	1/4-28 UNF
FFTR-6.00-R	6.00	2.94	2.500	5.50	2 1/2 - 12	3.25	5/8	6.94	0.72	3.5	0.06	3.00	1.62	-	-	1/4-28 UNF
FFTR-7.00-R	7.00	2.94	2.500	5.50	2 1/2 - 12	3.25	5/8	7.94	0.72	3.5	0.06	3.00	1.62	-	-	1/4-28 UNF
FFTR-8.00-R	8.00	2.94	2.500	5.50	2 1/2 - 12	3.25	5/8	8.94	0.72	3.5	0.06	3.00	1.62	-	-	1/4-28 UNF
FFTR-10.00-R	10.00	2.94	2.500	5.50	2 1/2 - 12	3.25	5/8	10.94	0.72	3.5	0.06	3.00	1.62	-	-	1/4-28 UNF

# FFTR-R Series Track Roller Assembly

Double Flanged – Stud Type Concentric  
Ball & Tapered Roller Bearings - Regreasable



(989)358-6148  
www.pcimfg.com



## ADDITIONAL NOTES

\*For lubricated threads, use half the maximum clamping torque value shown.

DGBB: Deep Groove Ball Bearings – Alloy Steel  
TRB: Tapered Roller Bearings – Alloy Steel

FEATURING ∞ INFINITY ROLLER™ TECHNOLOGY

Jam Nut & Lock Washer sets are available at an additional cost.

Specifications subject to change without notice.

Stud Type Track Roller Part Number	Basic Radial Dynamic Load Rating (lbs) C	Basic Radial Static Load Rating (lbs) Co	Thrust Dynamic Load Rating (lbs)	Thrust Static Load Rating (lbs)	Stud Capacity (lbs)	Retaining Ring Capacity (lbs)	Max. Clamping Torque (in-lbs)*	Seal Type	Bearing Type	Approx. Roller Weight (lbs)
FFTR-1.00-R	956	480	331	60	380	470	180	Rubber Lip	DGBB	0.23
FFTR-1.125-R	956	480	331	60	380	470	180	Rubber Lip	DGBB	0.28
FFTR-1.25-R	1,231	640	430	80	700	470	180	Rubber Lip	DGBB	0.34
FFTR-1.375-R	1,231	640	430	80	700	470	180	Rubber Lip	DGBB	0.41
FFTR-1.50-R	2,651	1,394	1,101	348	1,220	550	350	Rubber Lip	DGBB	0.81
FFTR-1.75-R	2,651	1,394	1,101	348	1,210	550	650	Rubber Lip	DGBB	1.14
FFTR-2.00-R	3,624	2,136	1,563	534	2,840	900	650	Rubber Lip	DGBB	2.15
FFTR-2.25-R	3,624	2,136	1,563	534	2,840	900	650	Rubber Lip	DGBB	2.61
FFTR-2.50-R	5,390	3,507	2,407	877	6,280	1,340	650	Rubber Lip	DGBB	3.16
FFTR-2.50E-R	10,880	7,630	4,010	4,570	5,970	-	1,500	Rubber Dual Lip	TRB	3.31
FFTR-2.75-R	5,390	3,507	2,407	877	6,540	1,340	650	Rubber Lip	DGBB	3.72
FFTR-2.75E-R	10,880	7,630	4,010	4,570	6,200	-	1,500	Rubber Dual Lip	TRB	3.90
FFTR-3.00A-R	7,393	5,036	3,358	1,259	10,800	1,950	1,500	Rubber Lip	DGBB	5.25
FFTR-3.00-R	14,300	20,000	5,790	12,000	10,800	-	1,500	Rubber Dual Lip	TRB	5.46
FFTR-3.25A-R	7,393	5,036	3,358	1,259	10,800	1,950	1,500	Rubber Lip	DGBB	5.89
FFTR-3.25-R	14,300	20,000	5,790	12,000	10,800	-	1,500	Rubber Dual Lip	TRB	6.24
FFTR-3.50A-R	7,393	5,036	3,358	1,259	10,800	1,950	1,500	Rubber Lip	DGBB	6.78
FFTR-3.50-R	14,300	20,000	5,790	12,000	10,800	-	1,500	Rubber Dual Lip	TRB	7.17
FFTR-4.00A-R	7,393	5,036	3,358	1,259	10,800	1,950	1,500	Rubber Lip	DGBB	8.55
FFTR-4.00-R	14,300	20,000	5,790	12,000	10,800	-	1,500	Rubber Dual Lip	TRB	9.01
FFTR-4.50-R	14,300	20,000	5,790	12,000	10,800	-	1,500	Rubber Dual Lip	TRB	10.76
FFTR-4.75-R	14,300	20,000	5,790	12,000	10,800	-	1,500	Rubber Dual Lip	TRB	12.25
FFTR-5.00-R	35,870	58,400	13,310	32,100	30,800	-	1,500	Rubber Dual Lip	TRB	21.39
FFTR-6.00-R	35,830	56,200	14,150	32,900	60,150	-	1,500	Rubber Dual Lip	TRB	31.82
FFTR-7.00-R	35,830	56,200	14,150	32,900	60,150	-	1,500	Rubber Dual Lip	TRB	39.74
FFTR-8.00-R	35,830	56,200	14,150	32,900	60,150	-	1,500	Rubber Dual Lip	TRB	49.83
FFTR-10.00-R	35,830	56,200	14,150	32,900	60,150	-	1,500	Rubber Dual Lip	TRB	73.83



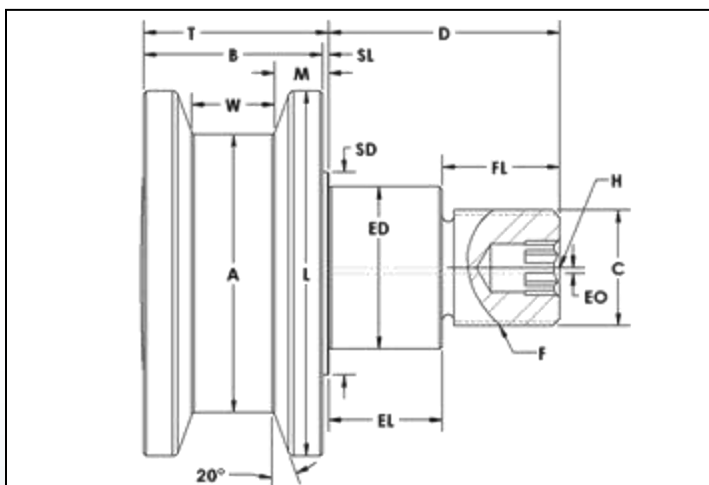
# FFTRE Series Track Roller Assembly

Double Flanged – Stud Type Eccentric  
Ball & Tapered Roller Bearings



(989)358-6148

www.pcimfg.com



FEATURING  
∞ INFINITY ROLLER™  
TECHNOLOGY

Ask About Cost Savings Options (CSO)  
Similar to what other mfg.'s provide

Stud Type Track Roller Part Number	A	B	C	D	ED	EL	EO	F	FL	H	L	M	SD	SL	T	W
	Roller Dia.	Roller Width	Stud Dia.	Stud Length	Ecc Dia +0.000 -0.002	Ecc Length	Ecc Offset	Thread Size	Thread Length	Hex Size	Flange Dia	Flange Width	Shld Dia.	Shld Length	Roller Width + Shoulder Length	Tread Width
FFTRE-1.00	1.00	0.75	0.437	1.00	0.625	0.48	0.03	7/16 - 20	0.52	3/16	1.38	0.22	0.7	0.03	0.78	0.37
FFTRE-1.125	1.13	0.75	0.437	1.00	0.625	0.48	0.03	7/16 - 20	0.52	3/16	1.50	0.22	0.7	0.03	0.78	0.37
FFTRE-1.25	1.25	0.81	0.500	1.25	0.687	0.61	0.03	1/2 - 20	0.65	3/16	1.56	0.22	0.8	0.03	0.84	0.43
FFTRE-1.375	1.38	0.81	0.500	1.25	0.687	0.61	0.03	1/2 - 20	0.65	3/16	1.69	0.22	0.8	0.03	0.84	0.43
FFTRE-1.50	1.50	1.13	0.625	1.50	0.875	0.73	0.03	5/8 - 18	0.77	5/16	2.19	0.34	1.1	0.06	1.19	0.57
FFTRE-1.75	1.75	1.13	0.750	1.75	1.000	0.86	0.03	3/4 - 16	0.90	5/16	2.44	0.34	1.3	0.06	1.19	0.57
FFTRE-2.00	2.00	1.63	0.875	2.00	1.187	0.98	0.03	7/8 - 14	1.02	5/16	2.69	0.59	1.5	0.06	1.69	0.57
FFTRE-2.25	2.25	1.63	0.875	2.00	1.187	0.98	0.03	7/8 - 14	1.02	5/16	2.94	0.59	1.5	0.06	1.69	0.57
FFTRE-2.50	2.50	1.63	1.000	2.25	1.375	1.11	0.03	1 - 14	1.15	3/8	3.19	0.59	1.7	0.06	1.69	0.57
FFTRE-2.50E	2.50	1.75	1.000	2.25	1.375	1.11	0.03	1 - 14	1.15	3/8	3.19	0.59	1.7	0.06	1.81	0.69
FFTRE-2.75	2.75	1.63	1.000	2.25	1.375	1.11	0.03	1 - 14	1.15	3/8	3.44	0.59	1.7	0.06	1.69	0.57
FFTRE-2.75E	2.75	1.75	1.000	2.25	1.375	1.11	0.03	1 - 14	1.15	3/8	3.44	0.59	1.7	0.06	1.81	0.69
FFTRE-3.00A	3.00	1.94	1.250	2.50	1.750	1.23	0.06	1 1/4 - 12	1.27	1/2	3.94	0.59	2.2	0.06	2.00	0.88
FFTRE-3.00	3.00	1.94	1.250	2.50	1.750	1.23	0.06	1 1/4 - 12	1.27	1/2	3.94	0.59	2.2	0.06	2.00	0.88
FFTRE-3.25A	3.25	1.94	1.250	2.50	1.750	1.23	0.06	1 1/4 - 12	1.27	1/2	4.19	0.59	2.2	0.06	2.00	0.88
FFTRE-3.25	3.25	1.94	1.250	2.50	1.750	1.23	0.06	1 1/4 - 12	1.27	1/2	4.19	0.59	2.2	0.06	2.00	0.88
FFTRE-3.50A	3.50	1.94	1.250	2.75	1.812	1.36	0.06	1 1/4 - 12	1.40	1/2	4.44	0.59	2.2	0.06	2.00	0.88
FFTRE-3.50	3.50	1.94	1.250	2.75	1.812	1.36	0.06	1 1/4 - 12	1.40	1/2	4.44	0.59	2.2	0.06	2.00	0.88
FFTRE-4.00A	4.00	1.94	1.250	2.75	1.812	1.36	0.06	1 1/4 - 12	1.40	1/2	4.94	0.59	2.2	0.06	2.00	0.88
FFTRE-4.00	4.00	1.94	1.250	2.75	1.812	1.36	0.06	1 1/4 - 12	1.40	1/2	4.94	0.59	2.2	0.06	2.00	0.88
FFTRE-4.50	4.50	1.94	1.250	2.75	1.812	1.36	0.06	1 1/4 - 12	1.40	1/2	5.44	0.59	2.2	0.06	2.00	0.88
FFTRE-4.75	4.75	1.94	1.250	2.75	1.812	1.36	0.06	1 1/4 - 12	1.40	1/2	5.75	0.59	2.2	0.06	2.00	0.88
FFTRE-5.00	5.00	2.94	2.000	4.50	2.625	2.13	0.06	2 - 12	2.38	5/8	5.94	0.72	3.3	0.06	3.00	1.62
FFTRE-6.00	6.00	2.94	2.500	5.50	3.125	2.88	0.06	2 1/2 - 12	2.63	5/8	6.94	0.72	3.6	0.06	3.00	1.62

# FFTRE Series Track Roller Assembly

Double Flanged – Stud Type Eccentric  
Ball & Tapered Roller Bearings



## ADDITIONAL NOTES

\*For lubricated threads, use half the maximum clamping torque value shown.

DGBB: Deep Groove Ball Bearings – Alloy Steel  
TRB: Tapered Roller Bearings – Alloy Steel

FEATURING ∞ INFINITY ROLLER™ TECHNOLOGY  
Ask About Cost Savings Options (CSO)  
Similar to what other mfg.'s provide

Jam Nut & Lock Washer sets are available at an additional cost.

Specifications subject to change without notice.

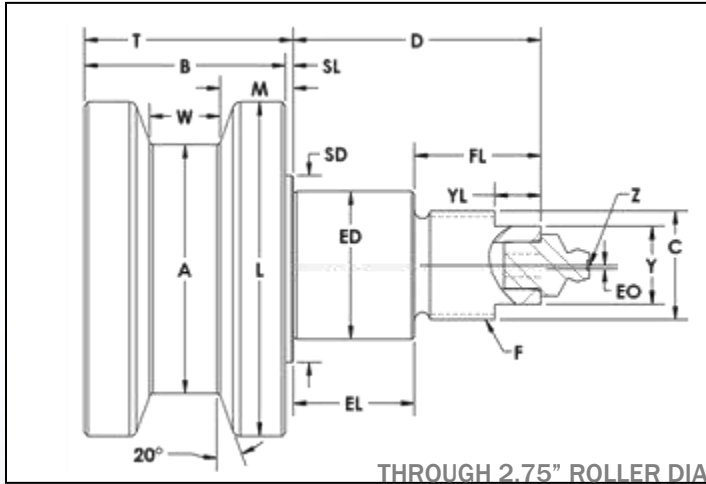
Stud Type Track Roller Part Number	Basic Radial Dynamic Load Rating (lbs) C	Basic Radial Static Load Rating (lbs) Co	Thrust Dynamic Load Rating (lbs)	Thrust Static Load Rating (lbs)	Stud Capacity (lbs)	Retaining Ring Capacity (lbs)	Max. Clamping Torque (in-lbs)*	Seal Type	Bearing Type	Approx. Roller Weight (lbs)
FFTRE-1.00	956	480	331	60	380	470	250	Rubber Lip	DGBB	0.25
FFTRE-1.125	956	480	331	60	380	470	250	Rubber Lip	DGBB	0.31
FFTRE-1.25	1,231	640	430	80	710	470	250	Rubber Lip	DGBB	0.36
FFTRE-1.375	1,231	640	430	80	710	470	250	Rubber Lip	DGBB	0.45
FFTRE-1.50	2,651	1,394	1,101	348	1,220	550	650	Rubber Lip	DGBB	0.91
FFTRE-1.75	2,651	1,394	1,101	348	1,220	550	650	Rubber Lip	DGBB	1.25
FFTRE-2.00	3,624	2,136	1,563	534	2,840	900	650	Rubber Lip	DGBB	2.29
FFTRE-2.25	3,624	2,136	1,563	534	2,840	900	650	Rubber Lip	DGBB	2.80
FFTRE-2.50	5,390	3,507	2,407	877	6,280	1,340	650	Rubber Lip	DGBB	3.48
FFTRE-2.50E	10,880	7,630	4,010	4,570	5,970	-	1,500	Rubber Dual Lip	TRB	3.67
FFTRE-2.75	5,390	3,507	2,407	877	6,540	1,340	650	Rubber Lip	DGBB	3.98
FFTRE-2.75E	10,880	7,630	4,010	4,570	6,200	-	1,500	Rubber Dual Lip	TRB	4.16
FFTRE-3.00A	7,393	5,036	3,358	1,259	10,800	1,950	1,500	Rubber Lip	DGBB	5.77
FFTRE-3.00	14,300	20,000	5,790	12,000	10,800	-	1,500	Rubber Dual Lip	TRB	5.81
FFTRE-3.25A	7,393	5,036	3,358	1,259	10,800	1,950	1,500	Rubber Lip	DGBB	6.4
FFTRE-3.25	14,300	20,000	5,790	12,000	10,800	-	1,500	Rubber Dual Lip	TRB	6.45
FFTRE-3.50A	7,393	5,036	3,358	1,259	10,800	1,950	1,500	Rubber Lip	DGBB	7.57
FFTRE-3.50	14,300	20,000	5,790	12,000	10,800	-	1,500	Rubber Dual Lip	TRB	7.75
FFTRE-4.00A	7,393	5,036	3,358	1,259	10,800	1,950	1,500	Rubber Lip	DGBB	9.11
FFTRE-4.00	14,300	20,000	5,790	12,000	10,800	-	1,500	Rubber Dual Lip	TRB	9.61
FFTRE-4.50	14,300	20,000	5,790	12,000	10,800	-	1,500	Rubber Dual Lip	TRB	11.34
FFTRE-4.75	14,300	20,000	5,790	12,000	10,800	-	1,500	Rubber Dual Lip	TRB	12.50
FFTRE-5.00	35,870	58,400	13,310	32,100	30,800	-	1,500	Rubber Dual Lip	TRB	22.79
FFTRE-6.00	35,830	56,200	14,150	32,900	60,150	-	1,500	Rubber Dual Lip	TRB	33.85

# FFTRE-R Series Track Roller Assembly

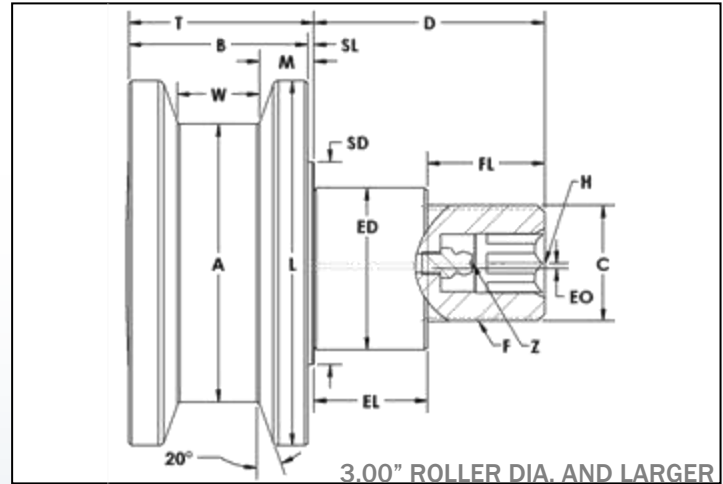
Double Flanged – Stud Type Eccentric  
Ball & Tapered Roller Bearings - Regreasable



(989)358-6148  
www.pcimfg.com



THROUGH 2.75" ROLLER DIA



3.00" ROLLER DIA. AND LARGER

Stud Type Track Roller Part Number	A Roller Dia.	B Roller Width	C Stud Dia.	D Stud Length	ED Ecc Dia +0.000 -0.002	EL Ecc Length	EO Ecc Offset	F Thread Size	FL Thread Length	H Hex Size	L Flange Dia	M Flange Width	SD Shld Dia.	SL Shld Length	T Roller Width + Shoulder Length	W Tread Width	Y Wrench Flat	YL Wrench Flat Length	Z Lube Size
FFTRE-1.00-R	1.00	0.75	0.437	1.00	0.625	0.48	0.03	7/16 - 20	0.52	-	1.38	0.22	0.7	0.03	0.78	0.37	0.312	0.250	1/8 Drive
FFTRE-1.125-R	1.13	0.75	0.437	1.00	0.625	0.48	0.03	7/16 - 20	0.52	-	1.50	0.22	0.7	0.03	0.78	0.37	0.312	0.250	1/8 Drive
FFTRE-1.25-R	1.25	0.81	0.500	1.25	0.687	0.61	0.03	1/2 - 20	0.65	-	1.56	0.22	0.8	0.03	0.84	0.43	0.375	0.250	1/8 Drive
FFTRE-1.375-R	1.38	0.81	0.500	1.25	0.687	0.61	0.03	1/2 - 20	0.65	-	1.69	0.22	0.8	0.03	0.84	0.43	0.375	0.250	1/8 Drive
FFTRE-1.50-R	1.50	1.13	0.625	1.50	0.875	0.73	0.03	5/8 - 18	0.77	-	2.19	0.34	1.1	0.06	1.19	0.57	0.500	0.375	1/4-28 UNF
FFTRE-1.75-R	1.75	1.13	0.750	1.75	1.000	0.86	0.03	3/4 - 16	0.90	-	2.44	0.34	1.3	0.06	1.19	0.57	0.625	0.375	1/8-27 NPT
FFTRE-2.00-R	2.00	1.63	0.875	2.00	1.187	0.98	0.03	7/8 - 14	1.02	-	2.69	0.59	1.5	0.06	1.69	0.57	0.625	0.375	1/8-27 NPT
FFTRE-2.25-R	2.25	1.63	0.875	2.00	1.187	0.98	0.03	7/8 - 14	1.02	-	2.94	0.59	1.5	0.06	1.69	0.57	0.625	0.375	1/8-27 NPT
FFTRE-2.50-R	2.50	1.63	1.000	2.25	1.375	1.11	0.03	1 - 14	1.15	-	3.19	0.59	1.7	0.06	1.69	0.57	0.875	0.375	1/8-27 NPT
FFTRE-2.50E-R	2.50	1.75	1.000	2.25	1.375	1.11	0.03	1 - 14	1.15	-	3.19	0.59	1.7	0.06	1.81	0.69	0.875	0.375	1/8-27 NPT
FFTRE-2.75-R	2.75	1.63	1.000	2.25	1.375	1.11	0.03	1 - 14	1.15	-	3.44	0.59	1.7	0.06	1.69	0.57	0.875	0.375	1/8-27 NPT
FFTRE-2.75E-R	2.75	1.75	1.000	2.25	1.375	1.11	0.03	1 - 14	1.15	-	3.44	0.59	1.7	0.06	1.81	0.69	0.875	0.375	1/8-27 NPT
FFTRE-3.00A-R	3.00	1.94	1.250	2.50	1.750	1.23	0.06	1 1/4 - 12	1.27	5/8	3.94	0.59	2.2	0.06	2.00	0.88	-	-	1/4-28 UNF
FFTRE-3.00-R	3.00	1.94	1.250	2.50	1.750	1.23	0.06	1 1/4 - 12	1.27	5/8	3.94	0.59	2.2	0.06	2.00	0.88	-	-	1/4-28 UNF
FFTRE-3.25A-R	3.25	1.94	1.250	2.50	1.750	1.23	0.06	1 1/4 - 12	1.27	5/8	4.19	0.59	2.2	0.06	2.00	0.88	-	-	1/4-28 UNF
FFTRE-3.25-R	3.25	1.94	1.250	2.50	1.750	1.23	0.06	1 1/4 - 12	1.27	5/8	4.19	0.59	2.2	0.06	2.00	0.88	-	-	1/4-28 UNF
FFTRE-3.50A-R	3.50	1.94	1.250	2.75	1.812	1.36	0.06	1 1/4 - 12	1.40	5/8	4.44	0.59	2.2	0.06	2.00	0.88	-	-	1/4-28 UNF
FFTRE-3.50-R	3.50	1.94	1.250	2.75	1.812	1.36	0.06	1 1/4 - 12	1.40	5/8	4.44	0.59	2.2	0.06	2.00	0.88	-	-	1/4-28 UNF
FFTRE-4.00A-R	4.00	1.94	1.250	2.75	1.812	1.36	0.06	1 1/4 - 12	1.40	5/8	4.94	0.59	2.2	0.06	2.00	0.88	-	-	1/4-28 UNF
FFTRE-4.00-R	4.00	1.94	1.250	2.75	1.812	1.36	0.06	1 1/4 - 12	1.40	5/8	4.94	0.59	2.2	0.06	2.00	0.88	-	-	1/4-28 UNF
FFTRE-4.50-R	4.50	1.94	1.250	2.75	1.812	1.36	0.06	1 1/4 - 12	1.40	5/8	5.44	0.59	2.2	0.06	2.00	0.88	-	-	1/4-28 UNF
FFTRE-4.75-R	4.75	1.94	1.250	2.75	1.812	1.36	0.06	1 1/4 - 12	1.40	5/8	5.75	0.59	2.2	0.06	2.00	0.88	-	-	1/4-28 UNF
FFTRE-5.00-R	5.00	2.94	2.000	4.50	2.625	2.13	0.06	2 - 12	2.38	5/8	5.94	0.72	3.3	0.06	3.00	1.62	-	-	1/4-28 UNF
FFTRE-6.00-R	6.00	2.94	2.500	5.50	3.125	2.88	0.06	2 1/2 - 12	2.63	5/8	6.94	0.72	3.6	0.06	3.00	1.62	-	-	1/4-28 UNF

# FFTRE-R Series Track Roller Assembly

Double Flanged – Stud Type Eccentric  
Ball & Tapered Roller Bearings - Regreasable



(989)358-6148  
www.pcimfg.com



## ADDITIONAL NOTES

\*For lubricated threads, use half the maximum clamping torque value shown.

DGBB: Deep Groove Ball Bearings – Alloy Steel  
TRB: Tapered Roller Bearings – Alloy Steel

FEATURING ∞ INFINITY ROLLER™ TECHNOLOGY

Jam Nut & Lock Washer sets are available at an additional cost.

Specifications subject to change without notice.

Stud Type Track Roller Part Number	Basic Radial Dynamic Load Rating (lbs) C	Basic Radial Static Load Rating (lbs) Co	Thrust Dynamic Load Rating (lbs)	Thrust Static Load Rating (lbs)	Stud Capacity (lbs)	Retaining Ring Capacity (lbs)	Max. Clamping Torque (in-lbs)*	Seal Type	Bearing Type	Approx. Roller Weight (lbs)
FFTRE-1.00-R	956	480	331	60	380	470	250	Rubber Lip	DGBB	0.25
FFTRE-1.125-R	956	480	331	60	380	470	250	Rubber Lip	DGBB	0.31
FFTRE-1.25-R	1,231	640	430	80	710	470	250	Rubber Lip	DGBB	0.36
FFTRE-1.375-R	1,231	640	430	80	710	470	250	Rubber Lip	DGBB	0.45
FFTRE-1.50-R	2,651	1,394	1,101	348	1,220	550	650	Rubber Lip	DGBB	0.91
FFTRE-1.75-R	2,651	1,394	1,101	348	1,220	550	650	Rubber Lip	DGBB	1.25
FFTRE-2.00-R	3,624	2,136	1,563	534	2,840	900	650	Rubber Lip	DGBB	2.29
FFTRE-2.25-R	3,624	2,136	1,563	534	2,840	900	650	Rubber Lip	DGBB	2.8
FFTRE-2.50-R	5,390	3,507	2,407	877	6,280	1,340	650	Rubber Lip	DGBB	3.48
FFTRE-2.50E-R	10,880	7,630	4,010	4,570	5,970	-	1,500	Rubber Dual Lip	TRB	3.67
FFTRE-2.75-R	5,390	3,507	2,407	877	6,540	1,340	650	Rubber Lip	DGBB	3.98
FFTRE-2.75E-R	10,880	7,630	4,010	4,570	6,200	-	1,500	Rubber Dual Lip	TRB	4.16
FFTRE-3.00A-R	7,393	5,036	3,358	1,259	10,800	1,950	1,500	Rubber Lip	DGBB	5.77
FFTRE-3.00-R	14,300	20,000	5,790	12,000	10,800	-	1,500	Rubber Dual Lip	TRB	5.81
FFTRE-3.25A-R	7,393	5,036	3,358	1,259	10,800	1,950	1,500	Rubber Lip	DGBB	6.4
FFTRE-3.25-R	14,300	20,000	5,790	12,000	10,800	-	1,500	Rubber Dual Lip	TRB	6.45
FFTRE-3.50A-R	7,393	5,036	3,358	1,259	10,800	1,950	1,500	Rubber Lip	DGBB	7.57
FFTRE-3.50-R	14,300	20,000	5,790	12,000	10,800	-	1,500	Rubber Dual Lip	TRB	7.75
FFTRE-4.00A-R	7,393	5,036	3,358	1,259	10,800	1,950	1,500	Rubber Lip	DGBB	9.11
FFTRE-4.00-R	14,300	20,000	5,790	12,000	10,800	-	1,500	Rubber Dual Lip	TRB	9.61
FFTRE-4.50-R	14,300	20,000	5,790	12,000	10,800	-	1,500	Rubber Dual Lip	TRB	11.34
FFTRE-4.75-R	14,300	20,000	5,790	12,000	10,800	-	1,500	Rubber Dual Lip	TRB	12.50
FFTRE-5.00-R	35,870	58,400	13,310	32,100	30,800	-	1,500	Rubber Dual Lip	TRB	22.79
FFTRE-6.00-R	35,830	56,200	14,150	32,900	60,150	-	1,500	Rubber Dual Lip	TRB	33.85



# FFTRY Series Track Roller Assembly

Double Flanged – Yoke Type  
Ball & Tapered Roller Bearings



(989)358-6148  
www.pcimfg.com



## ADDITIONAL NOTES

DGGB: Deep Groove Ball Bearings – Alloy Steel  
TRB: Tapered Roller Bearings – Alloy Steel

FEATURING ∞ INFINITY ROLLER™ TECHNOLOGY  
Ask About Cost Savings Options (CSO)  
Similar to what other mfg.'s provide

PCI Heavy Duty Yoke Shafts are available at an additional cost. See YSH page for details.

Specifications subject to change without notice.

Yoke Type Track Roller Part Number	Basic Radial Dynamic Load Rating (lbs) C	Basic Radial Static Load Rating (lbs) Co	Thrust Dynamic Load Rating (lbs)	Thrust Static Load Rating (lbs)	Seal Type	Bearing Type	Approx. Roller Weight (lbs)
FFTRY-1.50	1,683	1,147	764	287	Rubber Lip	DGGB	0.45
FFTRY-1.75	1,683	1,147	764	287	Rubber Lip	DGGB	0.71
FFTRY-2.00	3,624	2,248	1,591	562	Rubber Lip	DGGB	1.32
FFTRY-2.25	3,624	2,248	1,591	562	Rubber Lip	DGGB	1.67
FFTRY-2.50	5,390	3,507	2,407	877	Rubber Lip	DGGB	2.19
FFTRY-2.50E	10,880	7,630	4,010	4,570	Rubber Dual Lip	TRB	2.23
FFTRY-2.75	5,390	3,507	2,407	877	Rubber Lip	DGGB	2.69
FFTRY-2.75E	10,880	7,630	4,010	4,570	Rubber Dual Lip	TRB	2.73
FFTRY-3.00A	6,118	4,586	2,884	1,147	Rubber Lip	DGGB	3.86
FFTRY-3.00	14,300	20,000	5,790	12,000	Rubber Dual Lip	TRB	4.06
FFTRY-3.25A	6,118	4,586	2,884	1,147	Rubber Lip	DGGB	4.44
FFTRY-3.25	14,300	20,000	5,790	12,000	Rubber Dual Lip	TRB	4.69
FFTRY-3.50A	6,483	5,216	3,145	1,304	Rubber Lip	DGGB	5.43
FFTRY-3.50	17,600	27,200	5,750	13,100	Rubber Dual Lip	TRB	5.79
FFTRY-4.00A	6,483	5,216	3,145	1,304	Rubber Lip	DGGB	8.16
FFTRY-4.00	17,600	27,200	5,750	13,100	Rubber Dual Lip	TRB	8.55
FFTRY-5.00	35,870	58,400	13,310	32,100	Rubber Dual Lip	TRB	14.80
FFTRY-6.00	35,830	56,200	14,150	32,900	Rubber Dual Lip	TRB	22.94
FFTRY-7.00	42,400	79,800	17,400	48,400	Rubber Lip	TRB	33.76
FFTRY-8.00	83,700	159,800	39,000	110,000	Rubber Lip	TRB	48.43
FFTRY-9.00	134,600	250,000	53,600	147,000	Rubber Lip	TRB	66.73
FFTRY-10.00	137,300	276,000	62,000	194,000	Rubber Lip	TRB	88.62
FFTRY-12.00	137,300	276,000	62,000	194,000	Rubber Lip	TRB	140.38
FFTRY-14.00	137,300	276,000	62,000	194,000	Rubber Lip	TRB	200.85
FFTRY-16.00	137,300	276,000	62,000	194,000	Rubber Lip	TRB	270.50
FFTRY-18.00	137,300	276,000	62,000	194,000	Rubber Lip	TRB	349.33
FFTRY-20.00	137,300	276,000	62,000	194,000	Rubber Lip	TRB	437.33



# FFTRY-R Series Track Roller Assembly

Double Flanged – Yoke Type

Ball & Tapered Roller Bearings - Regreasable



(989)358-6148  
www.pcimfg.com



## ADDITIONAL NOTES

DGBB: Deep Groove Ball Bearings – Alloy Steel  
TRB: Tapered Roller Bearings – Alloy Steel

FEATURING ∞ INFINITY ROLLER™ TECHNOLOGY

PCI Heavy Duty Yoke Shafts are available at an additional cost. See YSH page for details.

Specifications subject to change without notice.

Yoke Type Track Roller Part Number	Basic Radial Dynamic Load Rating (lbs) C	Basic Radial Static Load Rating (lbs) Co	Thrust Dynamic Load Rating (lbs)	Thrust Static Load Rating (lbs)	Seal Type	Bearing Type	Approx. Roller Weight (lbs)
FFTRY-1.50-R	1,683	1,147	764	287	Rubber Lip	DGBB	0.45
FFTRY-1.75-R	1,683	1,147	764	287	Rubber Lip	DGBB	0.71
FFTRY-2.00-R	3,624	2,248	1,591	562	Rubber Lip	DGBB	1.32
FFTRY-2.25-R	3,624	2,248	1,591	562	Rubber Lip	DGBB	1.67
FFTRY-2.50-R	5,390	3,507	2,407	877	Rubber Lip	DGBB	2.19
FFTRY-2.50E-R	10,880	7,630	4,010	4,570	Rubber Dual Lip	TRB	2.23
FFTRY-2.75-R	5,390	3,507	2,407	877	Rubber Lip	DGBB	2.69
FFTRY-2.75E-R	10,880	7,630	4,010	4,570	Rubber Dual Lip	TRB	2.73
FFTRY-3.00A-R	6,118	4,586	2,884	1,147	Rubber Lip	DGBB	3.86
FFTRY-3.00-R	14,300	20,000	5,790	12,000	Rubber Dual Lip	TRB	4.06
FFTRY-3.25A-R	6,118	4,586	2,884	1,147	Rubber Lip	DGBB	4.44
FFTRY-3.25-R	14,300	20,000	5,790	12,000	Rubber Dual Lip	TRB	4.69
FFTRY-3.50A-R	6,483	5,216	3,145	1,304	Rubber Lip	DGBB	5.43
FFTRY-3.50-R	17,600	27,200	5,750	13,100	Rubber Dual Lip	TRB	5.79
FFTRY-4.00A-R	6,483	5,216	3,145	1,304	Rubber Lip	DGBB	8.16
FFTRY-4.00-R	17,600	27,200	5,750	13,100	Rubber Dual Lip	TRB	8.55
FFTRY-5.00-R	35,870	58,400	13,310	32,100	Rubber Dual Lip	TRB	14.80
FFTRY-6.00-R	35,830	56,200	14,150	32,900	Rubber Dual Lip	TRB	22.94
FFTRY-7.00-R	42,400	79,800	17,400	48,400	Rubber Lip	TRB	33.76
FFTRY-8.00-R	83,700	159,800	39,000	110,000	Rubber Lip	TRB	48.43
FFTRY-9.00-R	134,600	250,000	53,600	147,000	Rubber Lip	TRB	66.73
FFTRY-10.00-R	137,300	276,000	62,000	194,000	Rubber Lip	TRB	88.62
FFTRY-12.00-R	137,300	276,000	62,000	194,000	Rubber Lip	TRB	140.38
FFTRY-14.00-R	137,300	276,000	62,000	194,000	Rubber Lip	TRB	200.85
FFTRY-16.00-R	137,300	276,000	62,000	194,000	Rubber Lip	TRB	270.50
FFTRY-18.00-R	137,300	276,000	62,000	194,000	Rubber Lip	TRB	349.33
FFTRY-20.00-R	137,300	276,000	62,000	194,000	Rubber Lip	TRB	437.33

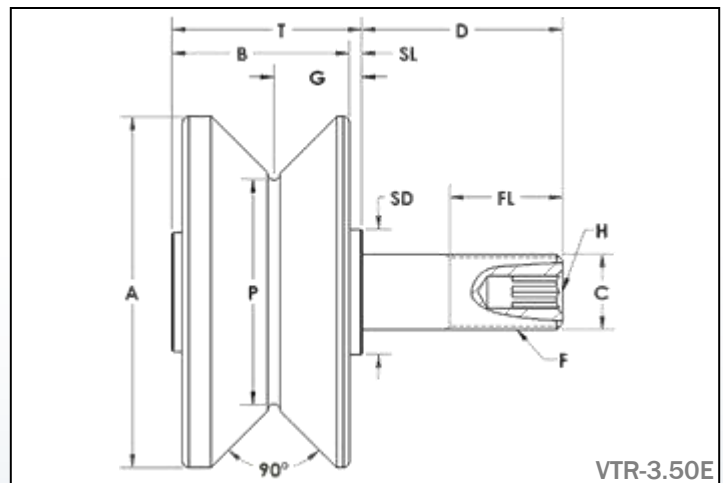
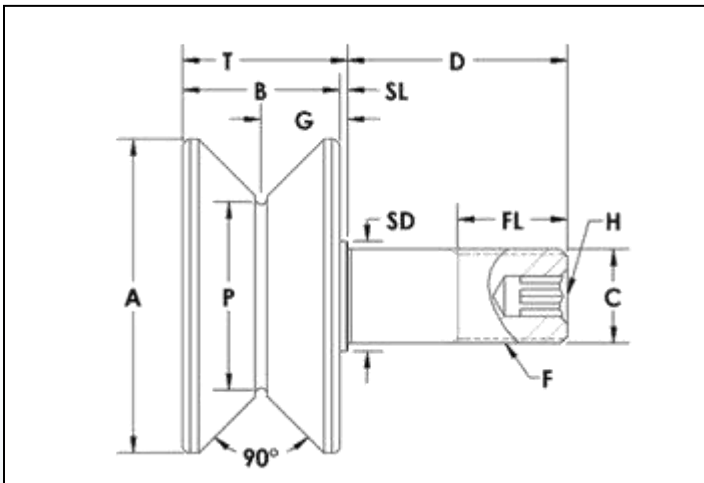


# VTR Series Track Roller Assembly

V-Grooved – Stud Type Concentric  
Ball & Tapered Roller Bearings



(989)358-6148  
www.pcimfg.com



VTR-3.50E

Stud Type Track Roller Part Number	A	B	C	D	F	FL	G	H	P	SD	SL	T
	Roller Dia.	Roller Width	Stud Dia. +.000 -.001	Stud Length	Thread Size	Thread Length	Groove Center	Hex Size	Point Dia. +.000 -.001	Shoulder Dia.	Shoulder Length	Roller Width + Shoulder Length
VTR-1.50	1.50	0.75	0.437	1.00	7/16 - 20	0.50	0.39	3/16	1.125	0.5	0.03	0.78
VTR-2.00	2.00	0.81	0.500	1.25	1/2 - 20	0.63	0.42	3/16	1.375	0.6	0.03	0.84
VTR-2.50	2.50	1.25	0.750	1.75	3/4 - 16	0.88	0.69	5/16	1.500	0.9	0.06	1.31
VTR-3.50	3.50	1.63	0.875	2.00	7/8 - 14	1.13	0.88	5/16	2.250	1.0	0.06	1.69
VTR-3.50E*	3.50	1.65	0.750	2.00	3/4 - 16	1.13	0.88	5/16	2.250	0.9	0.13	1.90+
VTR-4.50A	4.50	1.94	1.250	2.50	1 1/4 - 12	1.75	1.00	1/2	3.000	1.5	0.06	2.00
VTR-4.50	4.50	1.94	1.250	2.50	1 1/4 - 12	1.75	1.00	1/2	3.000	1.8	0.06	2.00
VTR-5.50A	5.50	1.94	1.250	2.75	1 1/4 - 12	1.75	1.00	1/2	4.000	1.5	0.06	2.00
VTR-5.50	5.50	1.94	1.250	2.75	1 1/4 - 12	1.75	1.00	1/2	4.000	1.8	0.06	2.00
VTR-6.50	6.50	2.94	2.000	4.50	2 - 12	2.50	1.50	5/8	5.000	3.0	0.06	3.00
VTR-7.50	7.50	2.94	2.500	5.50	2 1/2 - 12	3.25	1.50	5/8	6.000	3.5	0.06	3.00
VTR-8.50	8.50	2.94	2.500	5.50	2 1/2 - 12	3.25	1.50	5/8	6.000	3.5	0.06	3.00

\* VTR-3.50E is designed with stud extending 7/64" from end of roller. Design does not incorporate a dust cover.  
Ask about dual direction Crowned V-groove Track Rollers with R<sup>3</sup>™ Technology (CVTR).

# VTR Series Track Roller Assembly

V-Grooved – Stud Type Concentric  
Ball & Tapered Roller Bearings



(989)358-6148  
www.pcimfg.com



## ADDITIONAL NOTES

\*For lubricated threads, use half the maximum clamping torque value shown.

DGBB: Deep Groove Ball Bearings – Alloy Steel  
TRB: Tapered Roller Bearings – Alloy Steel

FEATURING ∞ INFINITY ROLLER™ TECHNOLOGY  
Ask About Cost Savings Options (CSO)  
Similar to what other mfg.'s provide

Jam Nut & Lock Washer sets are available at an additional cost.

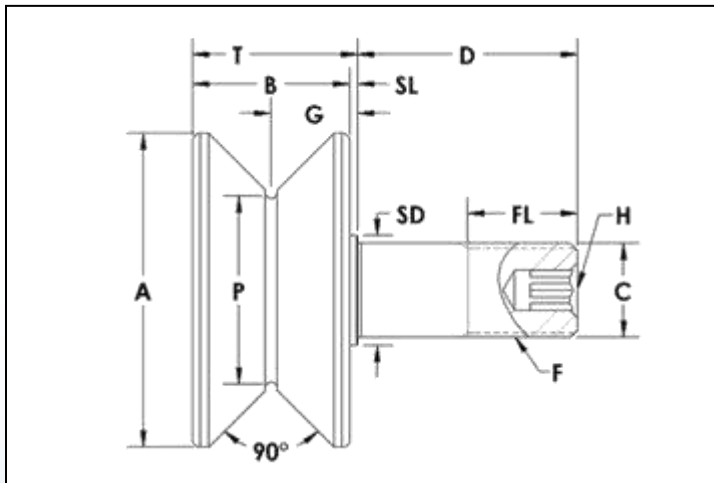
Specifications subject to change without notice.

Ask about dual direction Crowned V-groove Track Rollers with R<sup>3</sup>™ Technology (CVTR).

Stud Type Track Roller Part Number	Basic Radial Dynamic Load Rating (lbs) C	Basic Radial Static Load Rating (lbs) Co	Thrust Dynamic Load Rating (lbs)	Thrust Static Load Rating (lbs)	Stud Capacity (lbs)	Retaining Ring Capacity (lbs)	Max. Clamping Torque (in-lbs)*	Seal Type	Bearing Type	Approx. Roller Weight (lbs)
VTR-1.50	956	480	331	60	530	470	180	Rubber Lip	DGBB	0.33
VTR-2.00	1,231	640	430	80	930	470	180	Rubber Lip	DGBB	0.56
VTR-2.50	2,651	1,394	1,101	348	1,670	550	650	Rubber Lip	DGBB	1.31
VTR-3.50	4,661	3,012	2,076	753	4,460	1,340	650	Rubber Lip	DGBB	3.44
VTR-3.50E	11,957	7,200	3,540	3,150	3,390	-	1,500	Rubber Dual Lip	TRB	3.40
VTR-4.50A	7,393	5,036	3,358	1,259	13,980	1,950	1,500	Rubber Lip	DGBB	6.68
VTR-4.50	14,300	20,000	5,790	12,000	13,980	-	1,500	Rubber Dual Lip	TRB	6.88
VTR-5.50A	7,393	5,036	3,358	1,259	13,980	1,950	1,500	Rubber Lip	DGBB	10.82
VTR-5.50	14,300	20,000	5,790	12,000	13,980	-	1,500	Rubber Dual Lip	TRB	11.04
VTR-6.50	35,870	58,400	13,310	32,100	38,190	-	1,500	Rubber Dual Lip	TRB	27.42
VTR-7.50	35,830	56,200	14,150	32,900	74,580	-	1,500	Rubber Dual Lip	TRB	39.14
VTR-8.50	35,830	56,200	14,150	32,900	74,580	-	1,500	Rubber Dual Lip	TRB	48.68

# MVTR Series Track Roller Assembly

Metric - V-Grooved – Stud Type Concentric  
Ball & Tapered Roller Bearings



FEATURING  
∞ INFINITY ROLLER™  
TECHNOLOGY

Ask About Cost Savings Options (CSO)  
Similar to what other mfg.'s provide

Stud Type Track Roller Part Number	A	B	C	D	F	FL	G	H	P	SD	SL	T
	Roller Dia. +.00 -.03 (mm)	Roller Width (mm)	Stud Dia. +.00 -.03 (mm)	Stud Length (mm)	Thread Size	Thread Length (mm)	Groove Center (mm)	Hex Size (mm)	Point Dia. (mm)	Shoulder Dia. (mm)	Shoulder Length (mm)	Roller Width + Shoulder Length (mm)
MVTR-26	40	19.2	10	23	M10 X 1	13	10	4	26	13.1	0.8	20
MVTR-32	50	21.2	12	25	M12 X 1.5	14	11	4	32	15.9	0.8	22
MVTR-40	60	31.4	14	40	M14 X 2	26	17	6	40	18	1.6	33
MVTR-62	90	42.9	24	58	M24 X 3	35	23	8	62	32	1.6	45
MVTR-62-1	90	42.9	24	50	M24 X 1.5	25	23	8	62	32	1.6	45
MVTR-76	120	49	30	70	M30 X 3.5	40	26	12	76	44.5	1.6	50.5
MVTR-100-1	140	49	30	70	M30 X 3.5	40	26	12	100	44.5	1.6	50.5
MVTR-100	140	48.9	30	80	M30 X 3.5	50	26	12	100	44.5	1.6	51
MVTR-125	165	74	48	105	M48 X 5	60	38	12	125	76.2	1.6	76

Ask about dual direction Crowned V-groove Track Rollers with R<sup>3</sup>™ Technology (MCVTR).

# MVTR Series Track Roller Assembly

Metric - V-Grooved – Stud Type Concentric  
Ball & Tapered Roller Bearings



## ADDITIONAL NOTES

\*For lubricated threads, use half the maximum clamping torque value shown.

DGBB: Deep Groove Ball Bearings – Alloy Steel  
TRB: Tapered Roller Bearings – Alloy Steel

FEATURING ∞ INFINITY ROLLER™ TECHNOLOGY  
Ask About Cost Savings Options (CSO)  
Similar to what other mfg.'s provide

Jam Nut & Lock Washer sets are available at an additional cost.

Specifications subject to change without notice.

Ask about dual direction Crowned V-groove Track Rollers with R<sup>3</sup>™ Technology (MCVTR).

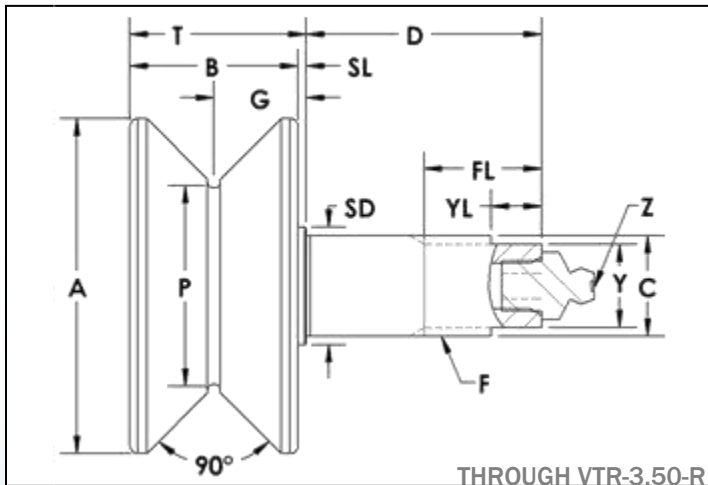
Stud Type Track Roller Part Number	Basic Radial Dynamic Load Rating (N) C	Basic Radial Static Load Rating (N) C <sub>0</sub>	Thrust Dynamic Load Rating (N)	Thrust Static Load Rating (N)	Stud Capacity (N)	Retaining Ring Capacity (N)	Max. Clamping Torque (Nm)*	Seal Type	Bearing Type	Approx. Roller Weight (Kg)
MVTR-26	4,250	2,130	1,470	265	2,600	2,090	20	Rubber Lip	DGBB	0.23
MVTR-32	5,470	2,840	1,900	350	4,300	2,090	20	Rubber Lip	DGBB	0.26
MVTR-40	11,790	6,200	4,890	1,540	7,400	2,440	20	Rubber Lip	DGBB	0.53
MVTR-62	20,732	13,398	9,236	3,350	21,200	5,960	68	Rubber Lip	DGBB	1.79
MVTR-62-1	20,732	13,398	9,236	3,350	21,200	5,960	68	Rubber Lip	DGBB	1.9
MVTR-76	63,600	89,000	25,700	53,400	52,780	-	136	Rubber Dual Lip	TRB	3.3
MVTR-100-1	63,600	89,000	25,700	53,400	52,780	-	136	Rubber Dual Lip	TRB	4.8
MVTR-100	63,600	89,000	25,700	53,400	52,780	-	136	Rubber Dual Lip	TRB	4.8
MVTR-125	159,000	259,700	59,000	142,700	143,500	-	136	Rubber Dual Lip	TRB	11.6

# VTR-R Series Track Roller Assembly

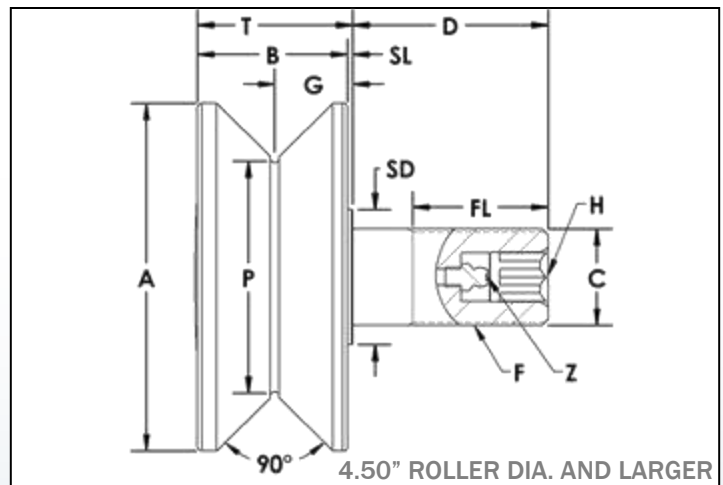
V-Grooved – Stud Type Concentric  
Ball & Tapered Roller Bearings - Regreasable



(989)358-6148  
www.pcimfg.com



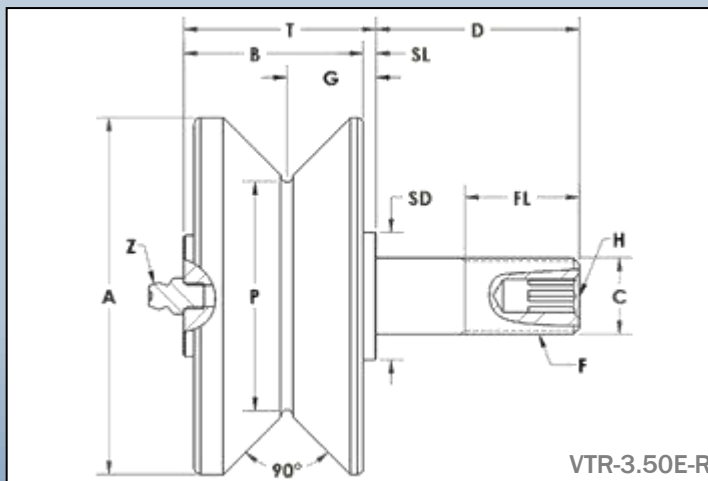
THROUGH VTR-3.50-R



4.50" ROLLER DIA. AND LARGER

Stud Type Track Roller Part Number	A Roller Dia.	B Roller Width	C Stud Dia. +.000 -.001	D Stud Length	F Thread Size	FL Thread Length	G Groove Center	H Hex Size	P Point Dia. +.000 -.001	SD Shoulder Dia.	SL Shoulder Length	T Roller Width + Shoulder Length	Y Wrench Flat	YL Wrench Flat Length	Z Lube Size
VTR-1.50-R	1.50	0.75	0.437	1.00	7/16 - 20	0.50	0.39	-	1.125	0.5	0.03	0.78	0.312	0.250	1/8 Drive
VTR-2.00-R	2.00	0.81	0.500	1.25	1/2 - 20	0.63	0.42	-	1.375	0.6	0.03	0.84	0.375	0.250	1/8 Drive
VTR-2.50-R	2.50	1.25	0.750	1.75	3/4 - 16	0.88	0.69	-	1.500	0.9	0.06	1.31	0.625	0.375	1/8-27 NPT
VTR-3.50-R	3.50	1.63	0.875	2.00	7/8 - 14	1.13	0.88	-	2.250	1.0	0.06	1.69	0.625	0.375	1/8-27 NPT
VTR-3.50E-R*	3.50	1.65	0.750	2.00	3/4 - 16	1.13	0.88	5/16	2.250	0.9	0.13	1.90†	-	-	1/4-28 UNF
VTR-4.50A-R	4.50	1.94	1.250	2.50	1 1/4 - 12	1.75	1.00	5/8	3.000	1.5	0.06	2.00	-	-	1/4-28 UNF
VTR-4.50-R	4.50	1.94	1.250	2.50	1 1/4 - 12	1.75	1.00	5/8	3.000	1.8	0.06	2.00	-	-	1/4-28 UNF
VTR-5.50A-R	5.50	1.94	1.250	2.75	1 1/4 - 12	1.75	1.00	5/8	4.000	1.5	0.06	2.00	-	-	1/4-28 UNF
VTR-5.50-R	5.50	1.94	1.250	2.75	1 1/4 - 12	1.75	1.00	5/8	4.000	1.8	0.06	2.00	-	-	1/4-28 UNF
VTR-6.50-R	6.50	2.94	2.000	4.50	2 - 12	2.50	1.50	5/8	5.000	3.0	0.06	3.00	-	-	1/4-28 UNF
VTR-7.50-R	7.50	2.94	2.500	5.50	2 1/2 - 12	3.25	1.50	5/8	6.000	3.5	0.06	3.00	-	-	1/4-28 UNF
VTR-8.50-R	8.50	2.94	2.500	5.50	2 1/2 - 12	3.25	1.50	5/8	6.000	3.5	0.06	3.00	-	-	1/4-28 UNF

\* VTR-3.50E-R is regreasable through the stud extending 7/64" from end of roller. Design does not incorporate a dust cover.  
Ask about dual direction Crowned V-groove Track Rollers with R<sup>3</sup>™ Technology (CVTR).



VTR-3.50E-R

# VTR-R Series Track Roller Assembly

V-Grooved – Stud Type Concentric  
Ball & Tapered Roller Bearings - Regreasable



## ADDITIONAL NOTES

\*For lubricated threads, use half the maximum clamping torque value shown.

DGGB: Deep Groove Ball Bearings – Alloy Steel  
TRB: Tapered Roller Bearings – Alloy Steel

FEATURING ∞ INFINITY ROLLER™ TECHNOLOGY

Jam Nut & Lock Washer sets are available at an additional cost.

Specifications subject to change without notice.

Ask about dual direction Crowned V-groove Track Rollers with R<sup>3</sup>™ Technology (CVTR).

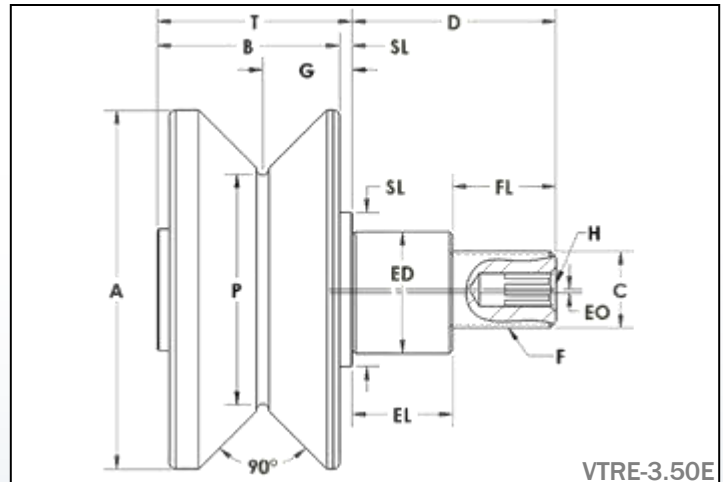
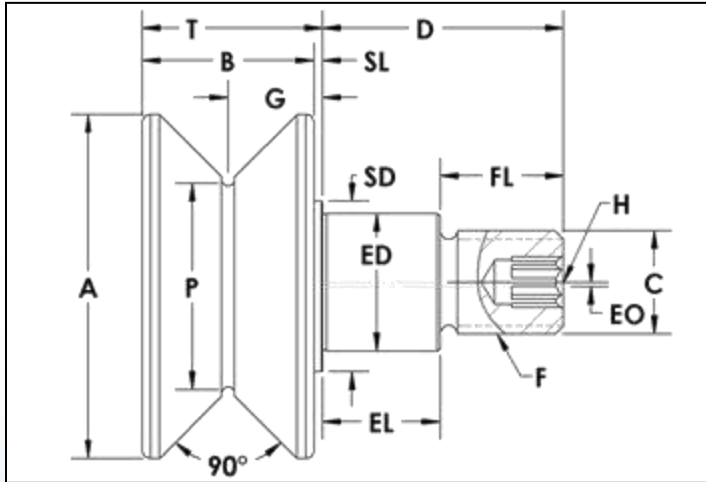
Stud Type Track Roller Part Number	Basic Radial Dynamic Load Rating (lbs) C	Basic Radial Static Load Rating (lbs) Co	Thrust Dynamic Load Rating (lbs)	Thrust Static Load Rating (lbs)	Stud Capacity (lbs)	Retaining Ring Capacity (lbs)	Max. Clamping Torque (in-lbs)*	Seal Type	Bearing Type	Approx. Roller Weight (lbs)
VTR-1.50-R	956	480	331	60	530	470	180	Rubber Lip	DGGB	0.33
VTR-2.00-R	1,231	640	430	80	930	470	180	Rubber Lip	DGGB	0.56
VTR-2.50-R	2,651	1,394	1,101	348	1,670	550	650	Rubber Lip	DGGB	1.31
VTR-3.50-R	4,661	3,012	2,076	753	4,460	1,340	650	Rubber Lip	DGGB	3.44
VTR-3.50E-R	11,957	7,200	3,540	3,150	3,390	-	1,500	Rubber Dual Lip	TRB	3.40
VTR-4.50A-R	7,393	5,036	3,358	1,259	13,980	1,950	1,500	Rubber Lip	DGGB	6.85
VTR-4.50-R	14,300	20,000	5,790	12,000	13,980	-	1,500	Rubber Dual Lip	TRB	6.88
VTR-5.50A-R	7,393	5,036	3,358	1,259	13,980	1,950	1,500	Rubber Lip	DGGB	10.82
VTR-5.50-R	14,300	20,000	5,790	12,000	13,980	-	1,500	Rubber Dual Lip	TRB	11.04
VTR-6.50-R	35,870	58,400	13,310	32,100	38,190	-	1,500	Rubber Dual Lip	TRB	27.42
VTR-7.50-R	35,830	56,200	14,150	32,900	74,580	-	1,500	Rubber Dual Lip	TRB	39.14
VTR-8.50-R	35,830	56,200	14,150	32,900	74,580	-	1,500	Rubber Dual Lip	TRB	48.68

# VTRE Series Track Roller Assembly

V-Grooved – Stud Type Eccentric  
Ball & Tapered Roller Bearings



(989)358-6148  
www.pcimfg.com



VTRE-3.50E

Stud Type Track Roller Part Number	A	B	C	D	ED	EL	EO	F	FL	G	H	P	SD	SL	T
	Roller Dia.	Roller Width	Stud Dia. +.000 -.001	Stud Length	Ecc Dia +.000 -.002	Ecc Length	Ecc Offset	Thread Size	Thread Length	Groove Center	Hex Size	Point Dia. +.000 -.001	Shoulder Dia.	Shoulder Length	Roller Width + Shoulder Length
VTRE-1.50	1.50	0.75	0.437	1.00	0.625	0.48	0.03	7/16 - 20	0.52	0.39	3/16	1.125	0.7	0.03	0.78
VTRE-2.00	2.00	0.81	0.500	1.25	0.687	0.61	0.03	1/2 - 20	0.65	0.42	3/16	1.375	0.8	0.03	0.84
VTRE-2.50	2.50	1.25	0.750	1.75	1.000	0.86	0.03	3/4 - 16	0.90	0.69	5/16	1.500	1.3	0.06	1.31
VTRE-3.50	3.50	1.63	0.875	2.00	1.187	0.98	0.03	7/8 - 14	1.02	0.88	5/16	2.250	1.5	0.06	1.69
VTRE-3.50E*	3.50	1.65	0.750	2.00	1.187	0.98	0.03	3/4 - 16	1.02	0.88	5/16	2.250	1.5	0.13	1.90+
VTRE-4.50A	4.50	1.94	1.250	2.50	1.750	1.23	0.06	1 1/4 - 12	1.27	1.00	1/2	3.000	2.2	0.06	2.00
VTRE-4.50	4.50	1.94	1.250	2.50	1.750	1.23	0.06	1 1/4 - 12	1.27	1.00	1/2	3.000	2.2	0.06	2.20
VTRE-5.50A	5.50	1.94	1.250	2.75	1.812	1.36	0.06	1 1/4 - 12	1.40	1.00	1/2	4.000	2.2	0.06	2.00
VTRE-5.50	5.50	1.94	1.250	2.75	1.812	1.36	0.06	1 1/4 - 12	1.40	1.00	1/2	4.000	2.2	0.06	2.00
VTRE-6.50	6.50	2.94	2.000	4.50	2.625	2.13	0.06	2 - 12	2.38	1.50	5/8	5.000	3.3	0.06	3.00
VTRE-7.50	7.50	2.94	2.500	5.50	3.125	2.88	0.06	2 1/2 - 12	2.63	1.50	5/8	6.000	3.6	0.06	3.00

\* VTRE-3.50E is designed with stud extending 7/64" from end of roller. Design does not incorporate a dust cover.

Ask about dual direction Crowned V-groove Track Rollers with R<sup>3</sup>™ Technology (CVTRE).

# VTRE Series Track Roller Assembly

V-Grooved – Stud Type Eccentric  
Ball & Tapered Roller Bearings



(989)358-6148  
www.pcimfg.com



## ADDITIONAL NOTES

\*For lubricated threads, use half the maximum clamping torque value shown.

DGBB: Deep Groove Ball Bearings – Alloy Steel  
TRB: Tapered Roller Bearings – Alloy Steel

FEATURING ∞ INFINITY ROLLER™ TECHNOLOGY  
Ask About Cost Savings Options (CSO)  
Similar to what other mfg.'s provide

Jam Nut & Lock Washer sets are available at an additional cost.

Specifications subject to change without notice.

Ask about dual direction Crowned V-groove Track Rollers with R<sup>3</sup>™ Technology (CVTRE).

Stud Type Track Roller Part Number	Basic Radial Dynamic Load Rating (lbs) C	Basic Radial Static Load Rating (lbs) Co	Thrust Dynamic Load Rating (lbs)	Thrust Static Load Rating (lbs)	Stud Capacity (lbs)	Retaining Ring Capacity (lbs)	Max. Clamping Torque (in-lbs)*	Seal Type	Bearing Type	Approx. Roller Weight (lbs)
VTRE-1.50	956	480	331	60	530	470	250	Rubber Lip	DGBB	0.36
VTRE-2.00	1,231	640	430	80	930	470	180	Rubber Lip	DGBB	0.59
VTRE-2.50	2,651	1,394	1,101	348	1,680	550	650	Rubber Lip	DGBB	1.38
VTRE-3.50	4,661	3,012	2,076	753	5,680	1,340	650	Rubber Lip	DGBB	3.49
VTRE-3.50E	11,957	7,200	3,540	3,150	3,390	-	1,500	Rubber Dual Lip	TRB	3.51
VTRE-4.50A	7,393	5,036	3,358	1,259	13,980	1,950	1,500	Rubber Lip	DGBB	7.31
VTRE-4.50	14,300	20,000	5,790	12,000	12,710	-	1,500	Rubber Dual Lip	TRB	7.36
VTRE-5.50A	7,393	5,036	3,358	1,259	13,980	1,950	1,500	Rubber Lip	DGBB	11.24
VTRE-5.50	14,300	20,000	5,790	12,000	13,980	-	1,500	Rubber Dual Lip	TRB	11.33
VTRE-6.50	35,870	58,400	13,310	32,100	38,190	-	1,500	Rubber Dual Lip	TRB	28.81
VTRE-7.50	35,830	56,200	14,150	32,900	74,580	-	1,500	Rubber Dual Lip	TRB	41.17

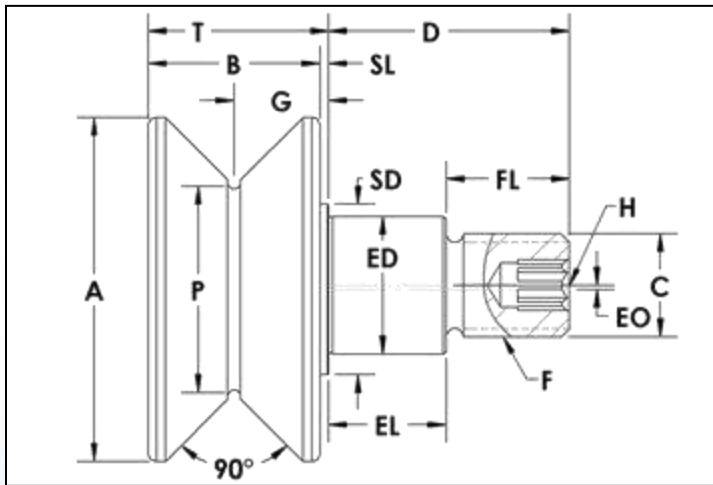


# MVTRE Series Track Roller Assembly

Metric - V-Grooved – Stud Type Eccentric  
Ball & Tapered Roller Bearings



(989)358-6148  
www.pcimfg.com



FEATURING  
∞ INFINITY ROLLER™  
TECHNOLOGY

Ask About Cost Savings Options (CSO)  
Similar to what other mfg.'s provide

Stud Type Track Roller Part Number	A	B	C	D	ED	EL	EO	F	FL	G	H	P	SD	SL	T
	Roller Dia. +0.00 -0.03 (mm)	Roller Width (mm)	Stud Dia. +0.00 -0.03 (mm)	Stud Length (mm)	Ecc Dia +0.000 -0.002 (mm)	Ecc Length (mm)	Ecc Offset (mm)	Thread Size	Thread Length (mm)	Groove Center (mm)	Hex Size (mm)	Point Dia. (mm)	Shoulder Dia. (mm)	Shoulder Length (mm)	Roller Width + Shoulder Length (mm)
MVTRE-26	40	19.2	10	23	13	10	0.5	M10 X 1	13	10	4	26	17.1	0.8	20
MVTRE-32	50	21.2	12	25	15	11	0.5	M12 X 1.5	14	11	4	32	17.5	0.8	22
MVTRE-40	60	31.4	14	40	22	13	1	M14 X 2	26	17	6	40	28.5	1.6	33
MVTRE-62	90	42.9	24	58	28	20	1.5	M24 X 3	35	23	8	62	43	1.6	45
MVTRE-62-1	90	42.9	20	50	28	22	1	M20 X 1.5	25	23	8	62	43	1.6	45
MVTRE-76	120	49	24	70	35	29	2	M24 X 1.5	40	26	12	76	50	1.6	50.5
MVTRE-100-1	140	49	24	70	35	29	2	M24 X 1.5	40	26	12	100	50	1.6	50.5
MVTRE-100	140	48.9	24	80	35	29	2	M24 X 1.5	50	26	12	100	50	1.6	51
MVTRE-125	165	74	48	105	64	50	2	M48 X 5	60	38	12	125	89	1.6	76

Ask about dual direction Crowned V-groove Track Rollers with R<sup>3</sup>™ Technology (MCVTRE).

# MVTRE Series Track Roller Assembly

Metric - V-Grooved – Stud Type Eccentric  
Ball & Tapered Roller Bearings



(989)358-6148  
www.pcimfg.com



## ADDITIONAL NOTES

\*For lubricated threads, use half the maximum clamping torque value shown.

DGBB: Deep Groove Ball Bearings – Alloy Steel  
TRB: Tapered Roller Bearings – Alloy Steel

FEATURING ∞ INFINITY ROLLER™ TECHNOLOGY  
Ask About Cost Savings Options (CSO)  
Similar to what other mfg.'s provide

Jam Nut & Lock Washer sets are available at an additional cost.

Specifications subject to change without notice.

Ask about dual direction Crowned V-groove Track Rollers with R<sup>3</sup>™ Technology (MCVTRE).

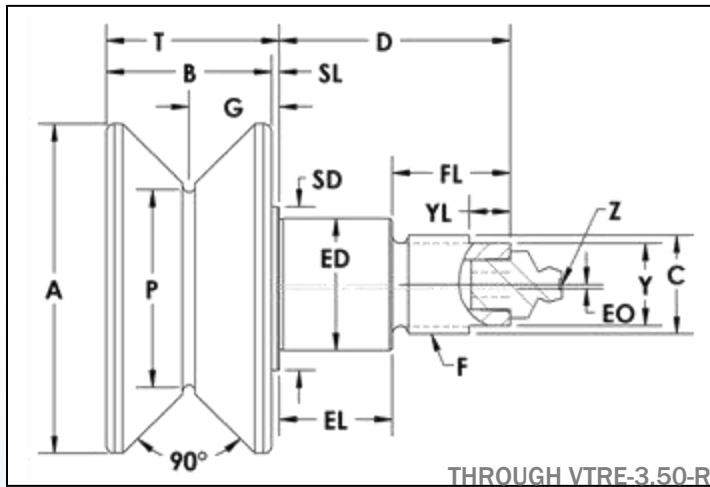
Stud Type Track Roller Part Number	Basic Radial Dynamic Load Rating (N) C	Basic Radial Static Load Rating (N) C	Thrust Dynamic Load Rating (N)	Thrust Static Load Rating (N)	Stud Capacity (N)	Retaining Ring Capacity (N)	Max. Clamping Torque (Nm)*	Seal Type	Bearing Type	Approx. Roller Weight (Kg)
MVTRE-26	4,250	2,130	1,470	265	2,600	2,090	20	Rubber Lip	DGBB	0.23
MVTRE-32	5,470	2,840	1,900	350	4,300	2,090	20	Rubber Lip	DGBB	0.26
MVTRE-40	11,790	6,200	4,890	1,540	7,400	2,440	20	Rubber Lip	DGBB	0.53
MVTRE-62	20,732	13,398	9,236	3,350	21,200	5,960	68	Rubber Lip	DGBB	1.79
MVTRE-62-1	20,732	13,398	9,236	3,350	21,200	5,960	68	Rubber Lip	DGBB	1.9
MVTRE-76	63,600	89,000	25,700	53,400	52,780	-	136	Rubber Dual Lip	TRB	3.3
MVTRE-100-1	63,600	89,000	25,700	53,400	52,780	-	136	Rubber Dual Lip	TRB	4.8
MVTRE-100	63,600	89,000	25,700	53,400	52,780	-	136	Rubber Dual Lip	TRB	4.8
MVTRE-125	159,000	259,700	59,000	142,700	143,500	-	136	Rubber Dual Lip	TRB	11.6

# VTRE-R Series Track Roller Assembly

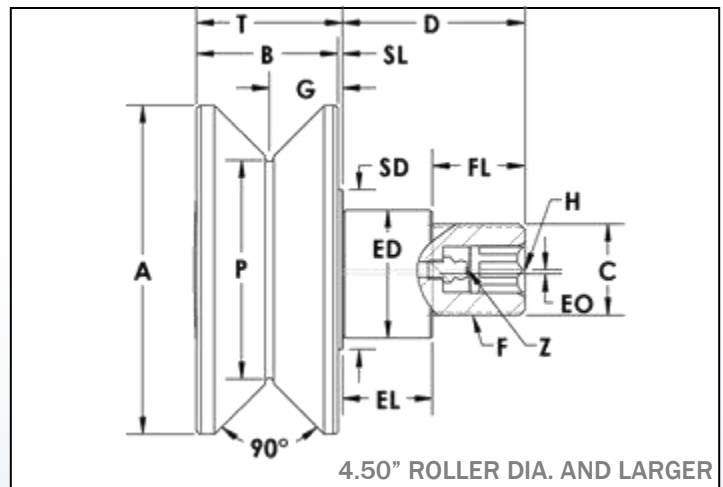
V-Grooved – Stud Type Eccentric  
Ball & Tapered Roller Bearings - Regreasable



(989)358-6148  
www.pcimfg.com



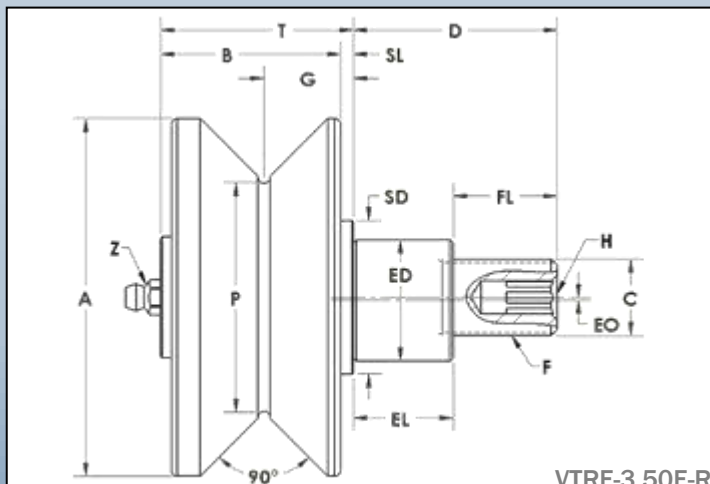
THROUGH VTRE-3.50-R



4.50" ROLLER DIA. AND LARGER

Stud Type Track Roller Part Number	A	B	C	D	ED	EL	EO	F	FL	G	H	P	SD	SL	T	Y	YL	Z
	Roller Dia.	Roller Width	Stud Dia. +.000 -.001	Stud Length	Ecc Dia. +.000 -.002	Ecc Length	Ecc Offset	Thread Size	Thread Length	Groove Center	Hex Size	Point Dia. +.000 -.001	Shoulder Dia.	Shoulder Length	Roller Width + Shoulder Length	Wrench Flat	Wrench Flat Length	Lube Size
VTRE-1.50-R	1.50	0.75	0.437	1.00	0.625	0.48	0.03	7/16 - 20	0.52	0.39	-	1.125	0.7	0.03	0.78	0.312	0.250	1/8 Drive
VTRE-2.00-R	2.00	0.81	0.500	1.25	0.687	0.61	0.03	1/2 - 20	0.65	0.42	-	1.375	0.8	0.03	0.84	0.375	0.250	1/8 Drive
VTRE-2.50-R	2.50	1.25	0.750	1.75	1.000	0.86	0.03	3/4 - 16	0.90	0.69	-	1.500	1.3	0.06	1.31	0.625	0.375	1/8-27 NPT
VTRE-3.50-R	3.50	1.63	0.875	2.00	1.187	0.98	0.03	7/8 - 14	1.02	0.88	-	2.250	1.5	0.06	1.69	0.625	0.375	1/8-27 NPT
VTRE-3.50E-R*	3.50	1.65	0.750	2.00	1.187	0.98	0.03	3/4 - 16	1.02	0.88	5/16	2.250	1.5	0.13	1.90†	-	-	1/4-28 UNF
VTRE-4.50A-R	4.50	1.94	1.250	2.50	1.750	1.23	0.06	1 1/4 - 12	1.27	1.00	5/8	3.000	2.2	0.06	2.00	-	-	1/4-28 UNF
VTRE-4.50-R	4.50	1.94	1.250	2.50	1.750	1.23	0.06	1 1/4 - 12	1.27	1.00	5/8	3.000	2.2	0.06	2.20	-	-	1/4-28 UNF
VTRE-5.50A-R	5.50	1.94	1.250	2.75	1.812	1.36	0.06	1 1/4 - 12	1.40	1.00	5/8	4.000	2.2	0.06	2.00	-	-	1/4-28 UNF
VTRE-5.50-R	5.50	1.94	1.250	2.75	1.812	1.36	0.06	1 1/4 - 12	1.40	1.00	5/8	4.000	2.2	0.06	2.00	-	-	1/4-28 UNF
VTRE-6.50-R	6.50	2.94	2.000	4.50	2.625	2.13	0.06	2 - 12	2.38	1.50	5/8	5.000	3.3	0.06	3.00	-	-	1/4-28 UNF
VTRE-7.50-R	7.50	2.94	2.500	5.50	3.125	2.88	0.06	2 1/2 - 12	2.63	1.50	5/8	6.000	3.6	0.06	3.00	-	-	1/4-28 UNF

\* VTRE-3.50E-R is regreasable through the stud extending 7/64" from end of roller. Design does not incorporate a dust cover. Ask about dual direction Crowned V-groove Track Rollers with R<sup>3</sup>™ Technology (CVTRE).



VTRE-3.50E-R

# VTRE-R Series Track Roller Assembly

V-Grooved – Stud Type Eccentric  
Ball & Tapered Roller Bearings - Regreasable



(989)358-6148  
www.pcimfg.com



## ADDITIONAL NOTES

\*For lubricated threads, use half the maximum clamping torque value shown.

DGBB: Deep Groove Ball Bearings – Alloy Steel  
TRB: Tapered Roller Bearings – Alloy Steel

FEATURING ∞ INFINITY ROLLER™ TECHNOLOGY

Jam Nut & Lock Washer sets are available at an additional cost.

Specifications subject to change without notice.

Ask about dual direction Crowned V-groove Track Rollers with R<sup>3</sup>™ Technology (CVTRE).

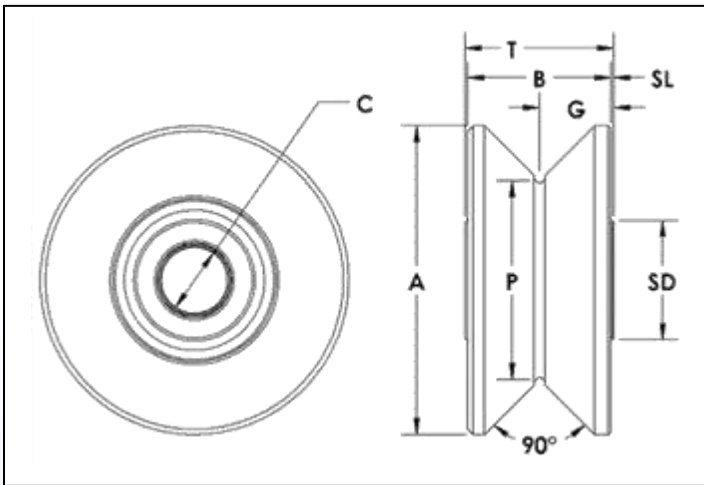
Stud Type Track Roller Part Number	Basic Radial Dynamic Load Rating (lbs) C	Basic Radial Static Load Rating (lbs) Co	Thrust Dynamic Load Rating (lbs)	Thrust Static Load Rating (lbs)	Stud Capacity (lbs)	Retaining Ring Capacity (lbs)	Max. Clamping Torque (in-lbs)*	Seal Type	Bearing Type	Approx. Roller Weight (lbs)
VTRE-1.50-R	956	480	331	60	530	470	250	Rubber Lip	DGBB	0.36
VTRE-2.00-R	1,231	640	430	80	930	470	180	Rubber Lip	DGBB	0.59
VTRE-2.50-R	2,651	1,394	1,101	348	1,680	550	650	Rubber Lip	DGBB	1.38
VTRE-3.50-R	4,661	3,012	2,076	753	5,680	1,340	650	Rubber Lip	DGBB	3.49
VTRE-3.50E-R	11,957	7,200	3,540	3,150	3,390	-	1,500	Rubber Dual Lip	TRB	3.51
VTRE-4.50A-R	7,393	5,036	3,358	1,259	13,980	1,950	1,500	Rubber Lip	DGBB	7.31
VTRE-4.50-R	14,300	20,000	5,790	12,000	12,710	-	1,500	Rubber Dual Lip	TRB	7.36
VTRE-5.50A-R	7,393	5,036	3,358	1,259	13,980	1,950	1,500	Rubber Lip	DGBB	11.24
VTRE-5.50-R	14,300	20,000	5,790	12,000	13,980	-	1,500	Rubber Dual Lip	TRB	11.33
VTRE-6.50-R	35,870	58,400	13,310	32,100	38,190	-	1,500	Rubber Dual Lip	TRB	28.81
VTRE-7.50-R	35,830	56,200	14,150	32,900	74,580	-	1,500	Rubber Dual Lip	TRB	41.17

# VTRY Series Track Roller Assembly

V-Grooved – Yoke Type  
Ball & Tapered Roller Bearings



(989)358-6148  
www.pcimfg.com



FEATURING  
∞ INFINITY ROLLER™  
TECHNOLOGY

Ask About Cost Savings Options (CSO)  
Similar to what other mfg.'s provide

Yoke Type Track Roller Part Number	A	B	C	G	P	SD	SL	T
	Roller Dia.	Roller Width	Bore Dia. +.0007 -.0000	Groove Center	Point Dia. +.000 -.001	Shoulder Dia.	Shoulder Length	Inner Race Width +.005 -.010
VTRY-2.50-9	2.50	0.880	0.4380	0.47	1.750	0.9	0.03	0.937
VTRY-2.50	2.50	1.250	0.6255	0.66	2.000	1.1	0.03	1.313
VTRY-3.00	3.00	1.250	0.6255	0.66	2.060	1.1	0.03	1.313
VTRY-3.50-9	3.50	1.500	0.7505	0.78	2.250	1.2	0.03	1.563
VTRY-3.50	3.50	1.625	0.7505	0.84	2.250	1.2	0.03	1.687
VTRY-3.75A	3.75	1.500	0.7505	0.78	2.500	1.2	0.03	1.563
VTRY-3.75	3.75	1.500	0.7505	0.78	2.500	1.3	0.03	1.563
VTRY-4.50A	4.50	1.750	1.0005	0.91	3.000	1.8	0.03	1.813
VTRY-4.50	4.50	1.750	1.0005	0.91	3.000	1.8	0.03	1.813
VTRY-5.00A	5.00	2.000	1.1255	1.03	3.500	2.0	0.03	2.063
VTRY-5.00	5.00	2.000	1.1255	1.03	3.500	2.0	0.03	2.063
VTRY-5.50A	5.50	2.250	1.2505	1.16	4.000	2.0	0.03	2.313
VTRY-5.50	5.50	2.250	1.2505	1.16	4.000	2.0	0.03	2.313
VTRY-6.50	6.50	2.750	1.7508	1.44	5.000	3.2	0.06	2.875
VTRY-7.50	7.50	3.250	2.2508	1.69	6.000	3.5	0.06	3.375
VTRY-8.50	8.50	3.750	2.7508	1.94	7.000	4.1	0.06	3.875
VTRY-9.50	9.50	4.250	3.2560	2.25	8.000	4.7	0.13	4.500
VTRY-10.50	10.50	4.750	3.7560	2.50	9.000	5.3	0.13	5.000
VTRY-11.50	11.50	5.250	4.2560	2.75	10.000	6.5	0.13	5.500
VTRY-12.50	12.50	5.250	4.2560	2.75	11.000	6.5	0.13	5.500
VTRY-14.50	14.50	5.250	4.2560	2.75	13.000	6.5	0.13	5.500
VTRY-16.50	16.50	5.250	4.2560	2.75	15.000	6.5	0.13	5.500
VTRY-18.50	18.50	5.250	4.2560	2.75	17.000	6.5	0.13	5.500
VTRY-20.50	20.50	5.250	4.2560	2.75	19.000	6.5	0.13	5.500

Optional PCI Yoke Shaft	Optional PCI Eccentric Yoke Shaft
YSH-.437	YSHE-.437
YSH-.625	YSHE-.625
YSH-.625	YSHE-.625
YSH-.750	YSHE-.750
YSH-.750	YSHE-.750
YSH-.750	YSHE-.750
YSH-.750	YSHE-.750
YSH-1.000	YSHE-1.000
YSH-1.000	YSHE-1.000
YSH-1.125	YSHE-1.125
YSH-1.125	YSHE-1.125
YSH-1.250	YSHE-1.250
YSH-1.250	YSHE-1.250
YSH-1.750	YSHE-1.750
YSH-2.250	YSHE-2.250
YSH-2.750	YSHE-2.750
YSH-3.250	-
YSH-3.750	-
YSH-4.250	-
YSH-4.250	-
YSH-4.250	-
YSH-4.250	-
YSH-4.250	-
YSH-4.250	-

Ask about dual direction Crowned V-groove Track Rollers with R<sup>3</sup>™ Technology (CVTRY).

# VTRY Series Track Roller Assembly

V-Grooved – Yoke Type  
Ball & Tapered Roller Bearings



(989)358-6148  
www.pcimfg.com



## ADDITIONAL NOTES

DGBB: Deep Groove Ball Bearings – Alloy Steel  
TRB: Tapered Roller Bearings – Alloy Steel

FEATURING ∞ INFINITY ROLLER™ TECHNOLOGY  
Ask About Cost Savings Options (CSO)  
Similar to what other mfg.'s provide

PCI Heavy Duty Yoke Shafts are available at an additional cost. See YSH page for details.

Specifications subject to change without notice.

Ask about dual direction Crowned V-groove Track Rollers with R<sup>3</sup>™ Technology (CVTRY).

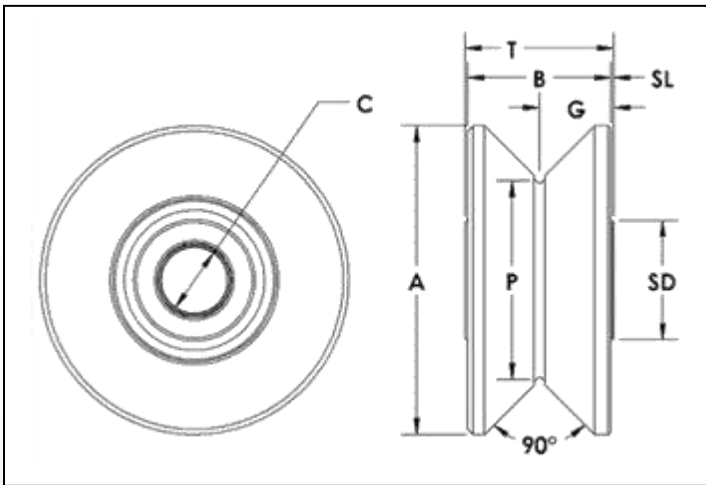
Yoke Type Track Roller Part Number	Basic Radial Dynamic Load Rating (lbs) C	Basic Radial Static Load Rating (lbs) Co	Thrust Dynamic Load Rating (lbs)	Thrust Static Load Rating (lbs)	Seal Type	Bearing Type	Approx. Roller Weight (lbs)
VTRY-2.50-9	1,683	1,147	764	287	Rubber Lip	DGBB	0.82
VTRY-2.50	3,624	2,248	1,591	562	Rubber Lip	DGBB	1.3
VTRY-3.00	3,624	2,248	1,591	562	Rubber Lip	DGBB	1.69
VTRY-3.50-9	4,334	2,945	1,967	736	Rubber Lip	DGBB	2.53
VTRY-3.50	4,334	2,945	1,967	736	Rubber Lip	DGBB	2.7
VTRY-3.75A	5,390	3,507	2,407	877	Rubber Lip	DGBB	3.05
VTRY-3.75	10,880	7,630	4,010	4,570	Rubber Dual Lip	TRB	3.08
VTRY-4.50A	6,118	4,586	2,884	1,147	Rubber Lip	DGBB	4.88
VTRY-4.50	14,300	20,000	5,790	12,000	Rubber Dual Lip	TRB	5.12
VTRY-5.00A	6,483	5,216	3,145	1,304	Rubber Lip	DGBB	7.48
VTRY-5.00	17,600	27,200	5,750	13,100	Rubber Dual Lip	TRB	7.61
VTRY-5.50A	6,483	5,216	3,145	1,304	Rubber Lip	DGBB	11.06
VTRY-5.50	17,600	27,200	5,750	13,100	Rubber Dual Lip	TRB	11.56
VTRY-6.50	35,870	58,400	13,310	32,100	Rubber Dual Lip	TRB	20.4
VTRY-7.50	35,830	56,200	14,150	32,900	Rubber Dual Lip	TRB	31.14
VTRY-8.50	42,400	79,800	17,400	48,400	Rubber Lip	TRB	45.37
VTRY-9.50	83,700	159,800	39,000	110,000	Rubber Lip	TRB	64.81
VTRY-10.50	134,600	250,000	53,600	147,000	Rubber Lip	TRB	88.12
VTRY-11.50	137,300	276,000	62,000	194,000	Rubber Lip	TRB	115.79
VTRY-12.50	137,300	276,000	62,000	194,000	Rubber Lip	TRB	143.27
VTRY-14.50	137,300	276,000	62,000	194,000	Rubber Lip	TRB	204.21
VTRY-16.50	137,300	276,000	62,000	194,000	Rubber Lip	TRB	263.59
VTRY-18.50	137,300	276,000	62,000	194,000	Rubber Lip	TRB	253.62
VTRY-20.50	137,300	276,000	62,000	194,000	Rubber Lip	TRB	442.08

# MVTRY Series Track Roller Assembly

Metric - V-Grooved – Yoke Type  
Ball & Tapered Roller Bearings



(989)358-6148  
www.pcimfg.com



FEATURING  
∞ INFINITY ROLLER™  
TECHNOLOGY

Ask About Cost Savings Options (CSO)  
Similar to what other mfg.'s provide

Yoke Type Track Roller Part Number	A	B	C	G	P	SD	SL	T
	Roller Dia. +.00 -.03 (mm)	Roller Width (mm)	Bore Dia. +.03 -.00 (mm)	Groove Center (mm)	Point Dia. (mm)	Shoulder Dia. (mm)	Shoulder Length (mm)	Inner Race Width +.13 -.25 (mm)
MVTRY-40	60	22	10	12	40	22	0.5	23
MVTRY-50	75	32	15	17	50	28	0.5	33
MVTRY-62	90	38	19	20	62	35	1	40
MVTRY-62-1	90	38	20	20	62	35	1	40
MVTRY-62E	90	38	20	20	62	32	1	40
MVTRY-76	110	44	25	23	76	45	1	46
MVTRY-100	140	54	30	28	100	57	1	56
MVTRY-125	165	68	45	36	125	83	1.5	71
MVTRY-150	190	70	55	37	150	89	1.5	73
MVTRY-200	240	76	70	40	200	108	1.5	79
MVTRY-250	290	76	70	40	250	108	1.5	79

Optional PCI Yoke Shaft	Optional PCI Eccentric Yoke Shaft
MYSH-10	MYSHE-10
MYSH-15	MYSHE-15
MYSH-19	MYSHE-19
MYSH-20	MYSHE-20
MYSH-20	MYSHE-20
MYSH-25	MYSHE-25
MYSH-30	MYSHE-30
MYSH-45	MYSHE-45
MYSH-55	MYSHE-55
MYSH-70	MYSHE-70
MYSH-70	MYSHE-70

Ask about dual direction Crowned V-groove Track Rollers with R<sup>3</sup>™ Technology (MCVTRY).

# MVTRY Series Track Roller Assembly

Metric - V-Grooved – Yoke Type  
Ball & Tapered Roller Bearings



## ADDITIONAL NOTES

DGGB: Deep Groove Ball Bearings – Alloy Steel  
TRB: Tapered Roller Bearings – Alloy Steel

FEATURING ∞ INFINITY ROLLER™ TECHNOLOGY  
Ask About Cost Savings Options (CSO)  
Similar to what other mfg.'s provide

PCI Heavy Duty Yoke Shafts are available at an additional cost. See YSH page for details.

Specifications subject to change without notice.

Ask about dual direction Crowned V-groove Track Rollers with R<sup>3</sup>™ Technology (MCVTRY).

Roller Diameter (mm)	Basic Radial Dynamic Load Rating (N) C	Basic Radial Static Load Rating (N) Co	Thrust Dynamic Load Rating (N)	Thrust Static Load Rating (N)	Seal Type	Bearing Type	Approx. Roller Weight (Kg)
MVTRY-40	7,480	5,100	3,390	1,270	Rubber Lip	DGGB	0.29
MVTRY-50	16,120	10,000	7,077	2,500	Rubber Lip	DGGB	0.70
MVTRY-62	19,270	13,100	8,750	3,270	Rubber Lip	DGGB	1.25
MVTRY-62-1	19,270	13,100	8,750	3,270	Rubber Lip	DGGB	1.24
MVTRY-62E	48,350	33,940	17,837	20,328	Rubber Dual Lip	TRB	1.50
MVTRY-76	63,600	89,000	25,700	53,400	Rubber Dual Lip	TRB	2.16
MVTRY-100	78,200	120,990	25,570	58,270	Rubber Dual Lip	TRB	4.60
MVTRY-125	159,000	259,700	59,000	142,700	Rubber Dual Lip	TRB	8.49
MVTRY-150	159,000	249,000	62,900	146,300	Rubber Dual Lip	TRB	11.33
MVTRY-200	257,000	366,000	108,000	131,000	Metallic Shield	TRB	20.18
MVTRY-250	257,000	366,000	108,000	131,000	Metallic Shield	TRB	31.87



# VTRY-R Series Track Roller Assembly

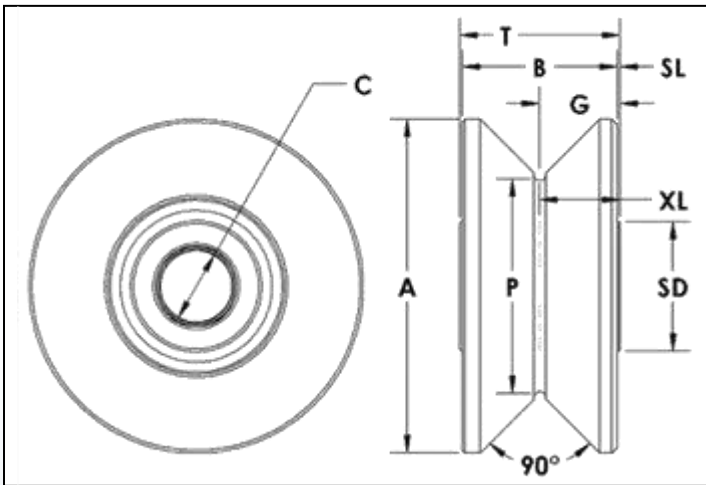
V-Grooved – Yoke Type

Ball & Tapered Roller Bearings - Regreasable



(989)358-6148

www.pcimfg.com



FEATURING  
∞ INFINITY ROLLER™  
TECHNOLOGY

Yoke Type Track Roller Part Number	A	B	C	G	P	SD	SL	T	XL
	Roller Dia.	Roller Width	Bore Dia. +.0007 -.0000	Groove Center	Point Dia. +.000 -.001	Shoulder Dia.	Shoulder Length	Inner Race Width +.005 -.010	Grease Groove Location
VTRY-2.50-9-R	2.50	0.880	0.4380	0.47	1.750	0.9	0.03	0.937	0.47
VTRY-2.50-R	2.50	1.250	0.6255	0.66	2.000	1.1	0.03	1.313	0.66
VTRY-3.00-R	3.00	1.250	0.6255	0.66	2.060	1.1	0.03	1.313	0.66
VTRY-3.50-9-R	3.50	1.500	0.7505	0.78	2.250	1.2	0.03	1.563	0.78
VTRY-3.50-R	3.50	1.625	0.7505	0.84	2.250	1.2	0.03	1.687	0.78
VTRY-3.75A-R	3.75	1.500	0.7505	0.78	2.500	1.2	0.03	1.563	0.78
VTRY-3.75-R	3.75	1.500	0.7505	0.78	2.500	1.3	0.03	1.563	0.78
VTRY-4.50A-R	4.50	1.750	1.0005	0.91	3.000	1.8	0.03	1.813	0.91
VTRY-4.50-R	4.50	1.750	1.0005	0.91	3.000	1.8	0.03	1.813	0.91
VTRY-5.00A-R	5.00	2.000	1.1255	1.03	3.500	2.0	0.03	2.063	1.03
VTRY-5.00-R	5.00	2.000	1.1255	1.03	3.500	2.0	0.03	2.063	1.03
VTRY-5.50A-R	5.50	2.250	1.2505	1.16	4.000	2.0	0.03	2.313	1.16
VTRY-5.50-R	5.50	2.250	1.2505	1.16	4.000	2.0	0.03	2.313	1.16
VTRY-6.50-R	6.50	2.750	1.7508	1.44	5.000	3.2	0.06	2.875	1.44
VTRY-7.50-R	7.50	3.250	2.2508	1.69	6.000	3.5	0.06	3.375	1.69
VTRY-8.50-R	8.50	3.750	2.7508	1.94	7.000	4.1	0.06	3.875	1.94
VTRY-9.50-R	9.50	4.250	3.2560	2.25	8.000	4.7	0.13	4.500	2.25
VTRY-10.50-R	10.50	4.750	3.7560	2.50	9.000	5.3	0.13	5.000	2.50
VTRY-11.50-R	11.50	5.250	4.2560	2.75	10.000	6.5	0.13	5.500	2.75
VTRY-12.50-R	12.50	5.250	4.2560	2.75	11.000	6.5	0.13	5.500	2.75
VTRY-14.50-R	14.50	5.250	4.2560	2.75	13.000	6.5	0.13	5.500	2.75
VTRY-16.50-R	16.50	5.250	4.2560	2.75	15.000	6.5	0.13	5.500	2.75
VTRY-18.50-R	18.50	5.250	4.2560	2.75	17.000	6.5	0.13	5.500	2.75
VTRY-20.50-R	20.50	5.250	4.2560	2.75	19.000	6.5	0.13	5.500	2.75

Optional PCI Yoke Shaft	Optional PCI Eccentric Yoke Shaft
YSH-.437-R	YSHE-.437-R
YSH-.625-R	YSHE-.625-R
YSH-.625-R	YSHE-.625-R
YSH-.750-R	YSHE-.750-R
YSH-.750-R	YSHE-.750-R
YSH-.750-R	YSHE-.750-R
YSH-.750-R	YSHE-.750-R
YSH-1.000-R	YSHE-1.000-R
YSH-1.000-R	YSHE-1.000-R
YSH-1.125-R	YSHE-1.125-R
YSH-1.125-R	YSHE-1.125-R
YSH-1.250-R	YSHE-1.250-R
YSH-1.250-R	YSHE-1.250-R
YSH-1.750-R	YSHE-1.750-R
YSH-2.250-R	YSHE-2.250-R
YSH-2.750-R	YSHE-2.750-R
YSH-3.250-R	-
YSH-3.750-R	-
YSH-4.250-R	-
YSH-4.250-R	-
YSH-4.250-R	-
YSH-4.250-R	-
YSH-4.250-R	-
YSH-4.250-R	-

Ask about dual direction Crowned V-groove Track Rollers with R<sup>3</sup>™ Technology (CVTRY).

# VTRY-R Series Track Roller Assembly

V-Grooved – Yoke Type

Ball & Tapered Roller Bearings - Regreasable



(989)358-6148  
www.pcimfg.com



## ADDITIONAL NOTES

DGGB: Deep Groove Ball Bearings – Alloy Steel  
TRB: Tapered Roller Bearings – Alloy Steel

FEATURING ∞ INFINITY ROLLER™ TECHNOLOGY

PCI Heavy Duty Yoke Shafts are available at an additional cost. See YSH page for details.

Specifications subject to change without notice.

Ask about dual direction Crowned V-groove Track Rollers with R<sup>3</sup>™ Technology (CVTRY).

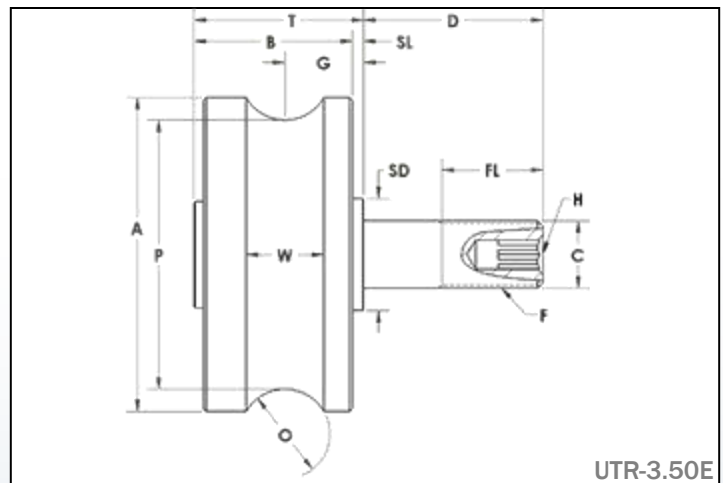
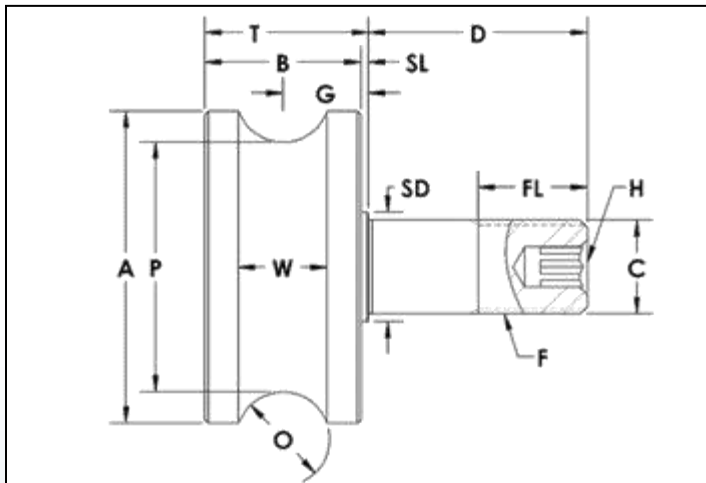
Yoke Type Track Roller Part Number	Basic Radial Dynamic Load Rating (lbs) C	Basic Radial Static Load Rating (lbs) Co	Thrust Dynamic Load Rating (lbs)	Thrust Static Load Rating (lbs)	Seal Type	Bearing Type	Approx. Roller Weight (lbs)
VTRY-2.50-9-R	1,683	1,147	764	287	Rubber Lip	DGGB	0.82
VTRY-2.50-R	3,624	2,248	1,591	562	Rubber Lip	DGGB	1.3
VTRY-3.00-R	3,624	2,248	1,591	562	Rubber Lip	DGGB	1.69
VTRY-3.50-9-R	4,334	2,945	1,967	736	Rubber Lip	DGGB	2.53
VTRY-3.50-R	4,334	2,945	1,967	736	Rubber Lip	DGGB	2.7
VTRY-3.75A-R	5,390	3,507	2,407	877	Rubber Lip	DGGB	3.05
VTRY-3.75-R	10,880	7,630	4,010	4,570	Rubber Dual Lip	TRB	3.08
VTRY-4.50A-R	6,118	4,586	2,884	1,147	Rubber Lip	DGGB	4.88
VTRY-4.50-R	14,300	20,000	5,790	12,000	Rubber Dual Lip	TRB	5.12
VTRY-5.00A-R	6,483	5,216	3,145	1,304	Rubber Lip	DGGB	7.48
VTRY-5.00-R	17,600	27,200	5,750	13,100	Rubber Dual Lip	TRB	7.61
VTRY-5.50A-R	6,483	5,216	3,145	1,304	Rubber Lip	DGGB	11.06
VTRY-5.50-R	17,600	27,200	5,750	13,100	Rubber Dual Lip	TRB	11.56
VTRY-6.50-R	35,870	58,400	13,310	32,100	Rubber Dual Lip	TRB	20.4
VTRY-7.50-R	35,830	56,200	14,150	32,900	Rubber Dual Lip	TRB	31.14
VTRY-8.50-R	42,400	79,800	17,400	48,400	Rubber Lip	TRB	45.37
VTRY-9.50-R	83,700	159,800	39,000	110,000	Rubber Lip	TRB	64.81
VTRY-10.50-R	134,600	250,000	53,600	147,000	Rubber Lip	TRB	88.12
VTRY-11.50-R	137,300	276,000	62,000	194,000	Rubber Lip	TRB	115.79
VTRY-12.50-R	137,300	276,000	62,000	194,000	Rubber Lip	TRB	143.27
VTRY-14.50-R	137,300	276,000	62,000	194,000	Rubber Lip	TRB	204.21
VTRY-16.50-R	137,300	276,000	62,000	194,000	Rubber Lip	TRB	263.59
VTRY-18.50-R	137,300	276,000	62,000	194,000	Rubber Lip	TRB	353.62
VTRY-20.50-R	137,300	276,000	62,000	194,000	Rubber Lip	TRB	442.08

# UTR Series Track Roller Assembly

U-Grooved – Stud Type Concentric  
Ball & Tapered Roller Bearings



(989)358-6148  
www.pcimfg.com



UTR-3.50E

Stud Type Track Roller Part Number	A	B	C	D	F	FL	G	H	O	P	SD	SL	T	W
	Roller Dia.	Roller Width	Stud Dia. +0.000 -0.001	Stud Length	Thread Size	Thread Length	Groove Center	Hex Size	Rail Size	Point Dia. +0.000 -0.001	Shoulder Dia.	Shoulder Length	Roller Width + Shoulder Length	Tread Width
UTR-1.50	1.50	0.75	0.437	1.00	7/16 - 20	0.50	0.41	3/16	1/2	1.250	0.5	0.03	0.78	0.43
UTR-1.75	1.75	0.75	0.437	1.00	7/16 - 20	0.50	0.41	3/16	1/2	1.500	0.5	0.03	0.78	0.43
UTR-2.00	2.00	0.81	0.500	1.25	1/2 - 20	0.63	0.44	3/16	5/8	1.750	0.6	0.03	0.84	0.50
UTR-2.50	2.50	1.25	0.750	1.75	3/4 - 16	0.88	0.69	5/16	3/4	2.000	0.9	0.06	1.31	0.71
UTR-3.50	3.50	1.63	0.875	2.00	7/8 - 14	1.13	0.88	5/16	1	3.000	1.0	0.06	1.69	0.87
UTR-3.50E*	3.50	1.65	0.750	2.00	3/4 - 16	1.13	0.88	5/16	1	3.000	0.9	0.13	1.90†	0.87
UTR-4.50A	4.50	1.94	1.250	2.50	1 1/4 - 12	1.75	1.00	1/2	1	4.000	1.5	0.06	2.00	0.87
UTR-4.50	4.50	1.94	1.250	2.50	1 1/4 - 12	1.75	1.00	1/2	1	4.000	1.8	0.06	2.00	0.87
UTR-5.50	5.50	1.94	1.250	2.75	1 1/4 - 12	1.75	1.00	1/2	1 1/4	5.000	1.8	0.06	2.00	1.00
UTR-6.00	5.94	2.94	2.000	4.50	2 - 12	2.50	1.50	5/8	1 1/2	5.000	3.0	0.06	3.00	1.39
UTR-7.00	6.94	2.94	2.500	5.50	2 1/2 - 12	3.25	1.50	5/8	2	6.000	3.5	0.06	3.00	1.69

\* UTR-3.50E is designed with stud extending 7/64" from end of roller. Design does not incorporate a dust cover.

# UTR Series Track Roller Assembly

U-Grooved – Stud Type Concentric  
Ball & Tapered Roller Bearings



## ADDITIONAL NOTES

\*For lubricated threads, use half the maximum clamping torque value shown.

DGBB: Deep Groove Ball Bearings – Alloy Steel  
TRB: Tapered Roller Bearings – Alloy Steel

FEATURING ∞ INFINITY ROLLER™ TECHNOLOGY  
Ask About Cost Savings Options (CSO)  
Similar to what other mfg.'s provide

Jam Nut & Lock Washer sets are available at an additional cost.

Specifications subject to change without notice.

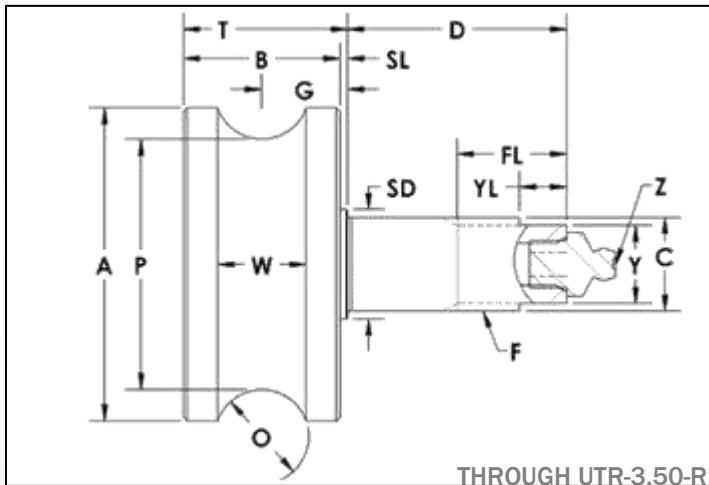
Stud Type Track Roller Part Number	Basic Radial Dynamic Load Rating (lbs) C	Basic Radial Static Load Rating (lbs) Co	Thrust Dynamic Load Rating (lbs)	Thrust Static Load Rating (lbs)	Stud Capacity (lbs)	Retaining Ring Capacity (lbs)	Max. Clamping Torque (in-lbs)*	Seal Type	Bearing Type	Approx. Roller Weight (lbs)
UTR-1.50	956	480	331	60	530	470	180	Rubber Lip	DGBB	0.33
UTR-1.75	956	480	331	60	530	470	180	Rubber Lip	DGBB	0.46
UTR-2.00	1,231	640	430	80	930	470	180	Rubber Lip	DGBB	0.64
UTR-2.50	2,651	1,394	1,101	348	1,470	550	650	Rubber Lip	DGBB	1.54
UTR-3.50	3,624	2,136	1,563	534	4,660	900	650	Rubber Lip	DGBB	4.05
UTR-3.50E*	11,957	7,200	3,540	3,150	3,390	-	1,500	Rubber Dual Lip	TRB	4.05
UTR-4.50A	7,393	5,036	3,358	1,259	13,980	1,950	1,500	Rubber Lip	DGBB	8.31
UTR-4.50	14,300	20,000	5,790	12,000	13,980	-	1,500	Rubber Dual Lip	TRB	8.52
UTR-5.50	14,300	20,000	5,790	12,000	13,980	-	1,500	Rubber Dual Lip	TRB	12.78
UTR-6.00	35,870	58,400	13,310	32,100	38,190	-	1,500	Rubber Dual Lip	TRB	23.22
UTR-7.00	35,830	56,200	14,150	32,900	74,580	-	1,500	Rubber Dual Lip	TRB	33.45

# UTR-R Series Track Roller Assembly

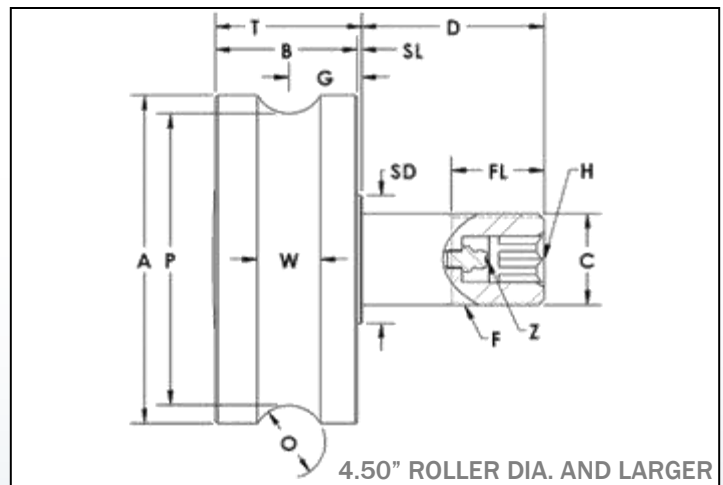
U-Grooved – Stud Type Concentric  
Ball & Tapered Roller Bearings - Regreasable



(989)358-6148  
www.pcimfg.com



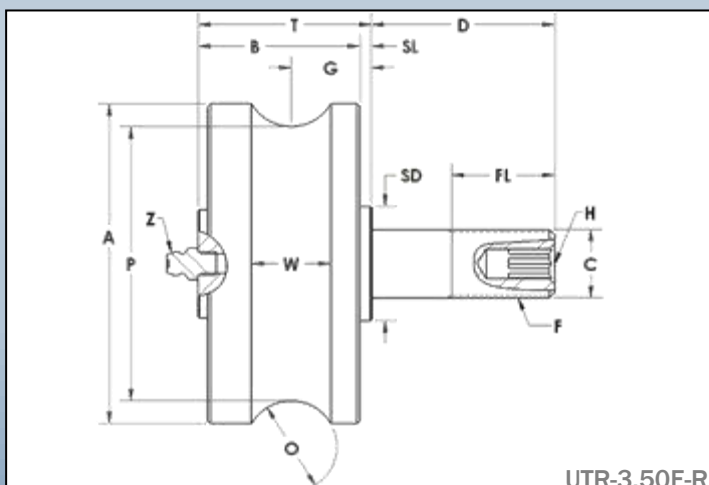
THROUGH UTR-3.50-R



4.50" ROLLER DIA. AND LARGER

Stud Type Track Roller Part Number	A	B	C	D	F	FL	G	H	O	P	SD	SL	T	W	Y	YL	Z
	Roller Dia.	Roller Width	Stud Dia. +.000 -.001	Stud Length	Thread Size	Thread Length	Groove Center	Hex Size	Rail Size	Point Dia. +.000 -.001	Shoulder Dia.	Shoulder Length	Roller Width + Shoulder Length	Tread Width	Wrench Flat	Wrench Flat Length	Lube Size
UTR-1.50-R	1.50	0.75	0.437	1.00	7/16 - 20	0.50	0.41	-	1/2	1.250	0.5	0.03	0.78	0.43	0.312	0.250	1/8 Drive
UTR-1.75-R	1.75	0.75	0.437	1.00	7/16 - 20	0.50	0.41	-	1/2	1.500	0.5	0.03	0.78	0.43	0.312	0.250	1/8 Drive
UTR-2.00-R	2.00	0.81	0.500	1.25	1/2 - 20	0.63	0.44	-	5/8	1.750	0.6	0.03	0.84	0.50	0.375	0.250	1/8 Drive
UTR-2.50-R	2.50	1.25	0.750	1.75	3/4 - 16	0.88	0.69	-	3/4	2.000	0.9	0.06	1.31	0.71	0.625	0.375	1/8-27 NPT
UTR-3.50-R	3.50	1.63	0.875	2.00	7/8 - 14	1.13	0.88	-	1	3.000	1.0	0.06	1.69	0.87	0.625	0.375	1/8-27 NPT
UTR-3.50E-R*	3.50	1.65	0.750	2.00	3/4 - 16	1.13	0.88	5/16	1	3.000	0.9	0.13	1.90 <sup>†</sup>	0.87	-	-	1/4-28 UNF
UTR-4.50A-R	4.50	1.94	1.250	2.50	1 1/4 - 12	1.75	1.00	5/8	1	4.000	1.5	0.06	2.00	0.87	-	-	1/4-28 UNF
UTR-4.50-R	4.50	1.94	1.250	2.50	1 1/4 - 12	1.75	1.00	5/8	1	4.000	1.8	0.06	2.00	0.87	-	-	1/4-28 UNF
UTR-5.50-R	5.50	1.94	1.250	2.75	1 1/4 - 12	1.75	1.00	5/8	1 1/4	5.000	1.8	0.06	2.00	1.00	-	-	1/4-28 UNF
UTR-6.00-R	5.94	2.94	2.000	4.50	2 - 12	2.50	1.50	5/8	1 1/2	5.000	3.0	0.06	3.00	1.39	-	-	1/4-28 UNF
UTR-7.00-R	6.94	2.94	2.500	5.50	2 1/2 - 12	3.25	1.50	5/8	2	6.000	3.5	0.06	3.00	1.69	-	-	1/4-28 UNF

\*UTR-3.50E-R is regreasable through the stud extending 7/64" from end of roller. Design does not incorporate a dust cover.



UTR-3.50E-R

# UTR-R Series Track Roller Assembly

U-Grooved – Stud Type Concentric  
Ball & Tapered Roller Bearings - Regreasable



(989)358-6148  
www.pcimfg.com



## ADDITIONAL NOTES

\*For lubricated threads, use half the maximum clamping torque value shown.

DGBB: Deep Groove Ball Bearings – Alloy Steel  
TRB: Tapered Roller Bearings – Alloy Steel

FEATURING ∞ INFINITY ROLLER™ TECHNOLOGY

Jam Nut & Lock Washer sets are available at an additional cost.

Specifications subject to change without notice.

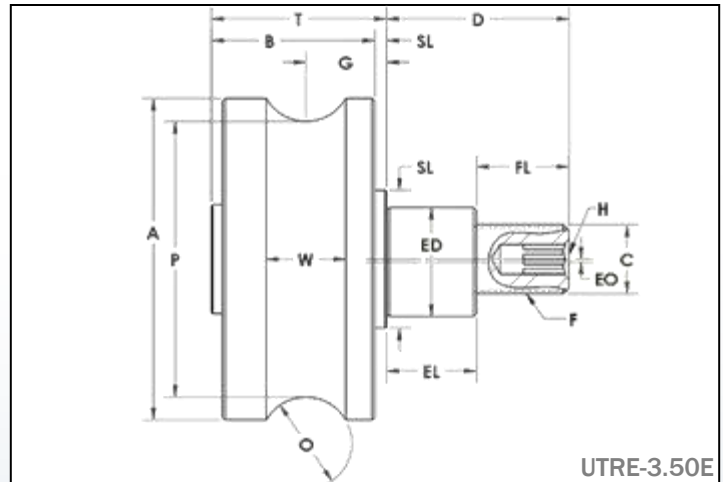
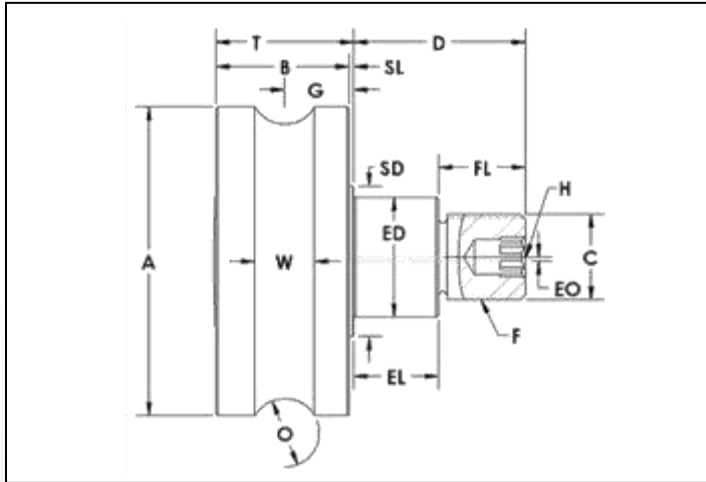
Stud Type Track Roller Part Number	Basic Radial Dynamic Load Rating (lbs) C	Basic Radial Static Load Rating (lbs) Co	Thrust Dynamic Load Rating (lbs)	Thrust Static Load Rating (lbs)	Stud Capacity (lbs)	Retaining Ring Capacity (lbs)	Max. Clamping Torque (in-lbs)*	Seal Type	Bearing Type	Approx. Roller Weight (lbs)
UTR-1.50-R	956	480	331	60	530	470	180	Rubber Lip	DGBB	0.33
UTR-1.75-R	956	480	331	60	530	470	180	Rubber Lip	DGBB	0.46
UTR-2.00-R	1,231	640	430	80	930	470	180	Rubber Lip	DGBB	0.64
UTR-2.50-R	2,651	1,394	1,101	348	1,470	550	650	Rubber Lip	DGBB	1.54
UTR-3.50-R	3,624	2,136	1,563	534	4,660	900	650	Rubber Lip	DGBB	4.05
UTR-3.50E-R	11,957	7,200	3,540	3,150	3,390	-	1,500	Rubber Dual Lip	TRB	4.05
UTR-4.50A-R	7,393	5,036	3,358	1,259	13,980	1,950	1,500	Rubber Lip	DGBB	8.31
UTR-4.50-R	14,300	20,000	5,790	12,000	13,980	-	1,500	Rubber Dual Lip	TRB	8.52
UTR-5.50-R	14,300	20,000	5,790	12,000	13,980	-	1,500	Rubber Dual Lip	TRB	12.78
UTR-6.00-R	35,870	58,400	13,310	32,100	38,190	-	1,500	Rubber Dual Lip	TRB	23.22
UTR-7.00-R	35,830	56,200	14,150	32,900	74,580	-	1,500	Rubber Dual Lip	TRB	33.45

# UTRE Series Track Roller Assembly

U-Grooved – Stud Type Eccentric  
Ball & Tapered Roller Bearings



(989)358-6148  
www.pcimfg.com



UTRE-3.50E

Stud Type Track Roller Part Number	A	B	C	D	ED	EL	EO	F	FL	G	H	O	P	SD	SL	T	W
	Roller Dia.	Roller Width	Stud Dia. +.000 -.001	Stud Length	Ecc Dia +.000 -.002	Ecc Length	Ecc Offset	Thread Size	Thread Length	Groove Center	Hex Size	Rail Size	Point Dia. +.000 -.001	Shoulder Dia.	Shoulder Length	Roller Width + Shoulder Length	Tread Width
UTRE-1.50	1.50	0.75	0.437	1.00	0.625	0.48	0.03	7/16 - 20	0.52	0.41	3/16	1/2	1.250	0.7	0.03	0.78	0.43
UTRE-1.75	1.75	0.75	0.437	1.00	0.625	0.48	0.03	7/16 - 20	0.52	0.41	3/16	1/2	1.500	0.7	0.03	0.78	0.43
UTRE-2.00	2.00	0.81	0.500	1.25	0.687	0.61	0.03	1/2 - 20	0.65	0.44	3/16	5/8	1.750	0.8	0.03	0.84	0.50
UTRE-2.50	2.50	1.25	0.750	1.75	1.000	0.86	0.03	3/4 - 16	0.90	0.69	5/16	3/4	2.000	1.3	0.06	1.31	0.71
UTRE-3.50	3.50	1.63	0.875	2.00	1.187	0.98	0.03	7/8 - 14	1.02	0.88	5/16	1	3.000	1.5	0.06	1.69	0.87
UTRE-3.50E*	3.50	1.65	0.750	2.00	1.187	0.98	0.03	3/4 - 16	1.02	0.88	5/16	1	3.000	1.5	0.13	1.90+	0.87
UTRE-4.50A	4.50	1.94	1.250	2.50	1.750	1.23	0.06	1 1/4 - 12	1.27	1.00	1/2	1	4.000	2.2	0.06	2.00	0.87
UTRE-4.50	4.50	1.94	1.250	2.50	1.750	1.23	0.06	1 1/4 - 12	1.27	1.00	1/2	1	4.000	2.2	0.06	2.20	0.87
UTRE-5.50	5.50	1.94	1.250	2.75	1.812	1.36	0.06	1 1/4 - 12	1.40	1.00	1/2	1 1/4	5.000	2.2	0.06	2.00	1.00
UTRE-6.00	5.94	2.94	2.000	4.50	2.625	2.13	0.06	2 - 12	2.38	1.50	5/8	1 1/2	5.000	3.3	0.06	3.00	1.39
UTRE-7.00	6.94	2.94	2.500	5.50	3.125	2.88	0.06	2 1/2 - 12	2.63	1.50	5/8	2	6.000	3.6	0.06	3.00	1.69

\*UTRE-3.50E is designed with stud extending 7/64" from end of roller. Design does not incorporate a dust cover.

# UTRE Series Track Roller Assembly

U-Grooved – Stud Type Eccentric  
Ball & Tapered Roller Bearings



(989)358-6148  
www.pcimfg.com



## ADDITIONAL NOTES

\*For lubricated threads, use half the maximum clamping torque value shown.

DGGB: Deep Groove Ball Bearings – Alloy Steel  
TRB: Tapered Roller Bearings – Alloy Steel

FEATURING ∞ INFINITY ROLLER™ TECHNOLOGY  
Ask About Cost Savings Options (CSO)  
Similar to what other mfg.'s provide

Jam Nut & Lock Washer sets are available at an additional cost.

Specifications subject to change without notice.

Stud Type Track Roller Part Number	Basic Radial Dynamic Load Rating (lbs) C	Basic Radial Static Load Rating (lbs) Co	Thrust Dynamic Load Rating (lbs)	Thrust Static Load Rating (lbs)	Stud Capacity (lbs)	Retaining Ring Capacity (lbs)	Max. Clamping Torque (in-lbs)*	Seal Type	Bearing Type	Approx. Roller Weight (lbs)
UTRE-1.50	956	480	331	60	530	470	250	Rubber Lip	DGGB	0.36
UTRE-1.75	956	480	331	60	530	470	250	Rubber Lip	DGGB	0.57
UTRE-2.00	1,231	640	430	80	930	470	180	Rubber Lip	DGGB	0.67
UTRE-2.50	2,651	1,394	1,101	348	1,480	550	650	Rubber Lip	DGGB	1.60
UTRE-3.50	3,624	2,136	1,563	534	4,660	900	3,450	Rubber Lip	DGGB	4.10
UTRE-3.50E*	11,957	7,200	3,540	3,150	3,390	-	1,500	Rubber Dual Lip	TRB	4.10
UTRE-4.50A	7,393	5,036	3,358	1,259	13,980	1,950	1,500	Rubber Lip	DGGB	8.72
UTRE-4.50	14,300	20,000	5,790	12,000	12,710	-	1,500	Rubber Dual Lip	TRB	8.76
UTRE-5.50	14,300	20,000	5,790	12,000	13,980	-	1,500	Rubber Dual Lip	TRB	12.94
UTRE-6.00	35,870	58,400	13,310	32,100	38,190	-	1,500	Rubber Dual Lip	TRB	23.99
UTRE-7.00	35,830	56,200	14,150	32,900	74,580	-	1,500	Rubber Dual Lip	TRB	35.48

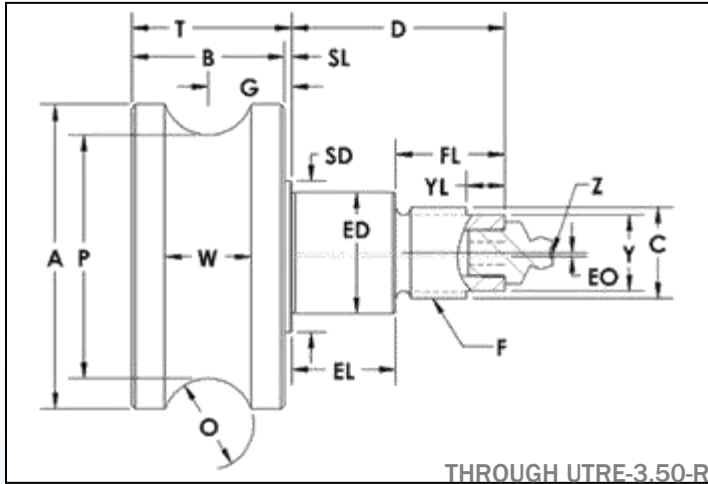


# UTRE-R Series Track Roller Assembly

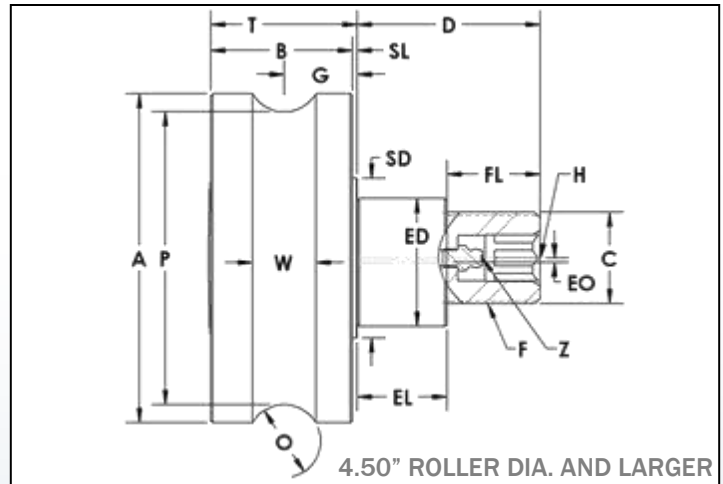
U-Grooved – Stud Type Eccentric  
Ball & Tapered Roller Bearings - Regreasable



(989)358-6148  
www.pcimfg.com



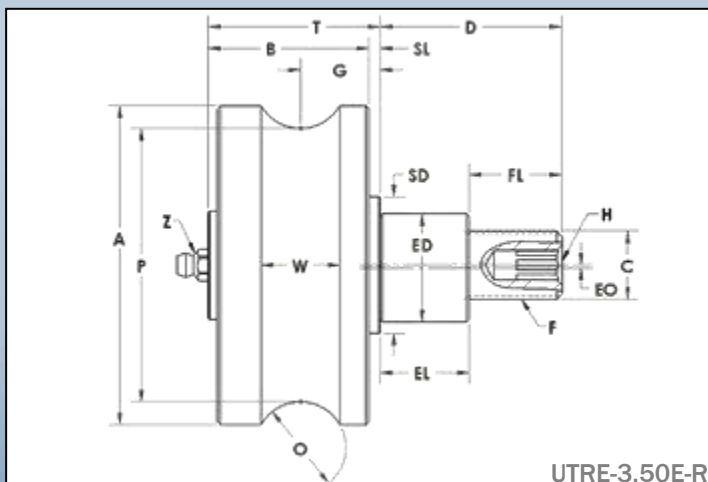
THROUGH UTRE-3.50-R



4.50" ROLLER DIA. AND LARGER

Stud Type Track Roller Part Number	A Roller Dia.	B Roller Width	C Stud Dia. +0.000 -0.001	D Stud Length	ED Ecc Dia +0.000 -0.002	EL Ecc Length	EO Ecc Offset	F Thread Size	FL Thread Length	G Groove Center	H Hex Size	O Rail Size	P Point Dia. +0.000 -0.001	SD Shld Dia.	SL Shld Length	T Roller Width + Shoulder Length	W Tread Width	Y Wrench Flat	YL Wrench Flat Length	Z Lube Size
UTRE-1.50-R	1.50	0.75	0.437	1.00	0.625	0.48	0.03	7/16 - 20	0.52	0.41	-	1/2	1.250	0.7	0.03	0.78	0.43	0.312	0.250	1/8 Drive
UTRE-1.75-R	1.75	0.75	0.437	1.00	0.625	0.48	0.03	7/16 - 20	0.52	0.41	-	1/2	1.500	0.7	0.03	0.78	0.43	0.312	0.250	1/8 Drive
UTRE-2.00-R	2.00	0.81	0.500	1.25	0.687	0.61	0.03	1/2 - 20	0.65	0.44	-	5/8	1.750	0.8	0.03	0.84	0.50	0.375	0.250	1/8 Drive
UTRE-2.50-R	2.50	1.25	0.750	1.75	1.000	0.86	0.03	3/4 - 16	0.90	0.69	-	3/4	2.000	1.3	0.06	1.31	0.71	0.625	0.375	1/8-27 NPT
UTRE-3.50-R	3.50	1.63	0.875	2.00	1.187	0.98	0.03	7/8 - 14	1.02	0.88	-	1	3.000	1.5	0.06	1.69	0.87	0.625	0.375	1/8-27 NPT
UTRE-3.50E-R*	3.50	1.65	0.750	2.00	1.187	0.98	0.03	3/4 - 16	1.02	0.88	5/16	1	3.000	1.5	0.13	1.90+	0.87	-	-	1/4-28 UNF
UTRE-4.50A-R	4.50	1.94	1.250	2.50	1.750	1.23	0.06	1 1/4 - 12	1.27	1.00	5/8	1	4.000	2.2	0.06	2.00	0.87	-	-	1/4-28 UNF
UTRE-4.50-R	4.50	1.94	1.250	2.50	1.750	1.23	0.06	1 1/4 - 12	1.27	1.00	5/8	1	4.000	2.2	0.06	2.20	0.87	-	-	1/4-28 UNF
UTRE-5.50-R	5.50	1.94	1.250	2.75	1.812	1.36	0.06	1 1/4 - 12	1.40	1.00	5/8	1 1/4	5.000	2.2	0.06	2.00	1.00	-	-	1/4-28 UNF
UTRE-6.00-R	5.94	2.94	2.000	4.50	2.625	2.13	0.06	2 - 12	2.38	1.50	5/8	1 1/2	5.000	3.3	0.06	3.00	1.39	-	-	1/4-28 UNF
UTRE-7.00-R	6.94	2.94	2.500	5.50	3.125	2.88	0.06	2 1/2 - 12	2.63	1.50	5/8	2	6.000	3.6	0.06	3.00	1.69	-	-	1/4-28 UNF

\*UTRE-3.50E-R is regreasable through the stud extending 7/64" from end of roller. Design does not incorporate a dust cover.



UTRE-3.50E-R

# UTRE-R Series Track Roller Assembly

U-Grooved – Stud Type Eccentric  
Ball & Tapered Roller Bearings - Regreasable



(989)358-6148  
www.pcimfg.com



## ADDITIONAL NOTES

\*For lubricated threads, use half the maximum clamping torque value shown.

DGGB: Deep Groove Ball Bearings – Alloy Steel  
TRB: Tapered Roller Bearings – Alloy Steel

FEATURING ∞ INFINITY ROLLER™ TECHNOLOGY

Jam Nut & Lock Washer sets are available at an additional cost.

Specifications subject to change without notice.

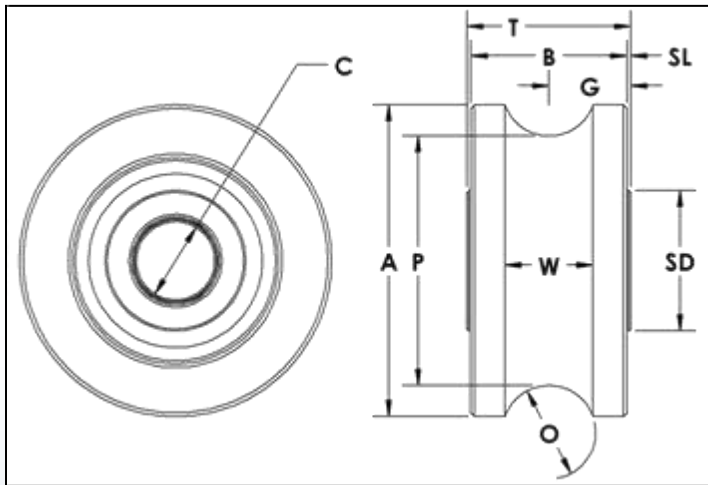
Stud Type Track Roller Part Number	Basic Radial Dynamic Load Rating (lbs) C	Basic Radial Static Load Rating (lbs) Co	Thrust Dynamic Load Rating (lbs)	Thrust Static Load Rating (lbs)	Stud Capacity (lbs)	Retaining Ring Capacity (lbs)	Max. Clamping Torque (in-lbs)*	Seal Type	Bearing Type	Approx. Roller Weight (lbs)
UTRE-1.50-R	956	480	331	60	530	470	250	Rubber Lip	DGGB	0.36
UTRE-1.75-R	956	480	331	60	530	470	250	Rubber Lip	DGGB	0.57
UTRE-2.00-R	1,231	640	430	80	930	470	180	Rubber Lip	DGGB	0.67
UTRE-2.50-R	2,651	1,394	1,101	348	1,480	550	650	Rubber Lip	DGGB	1.60
UTRE-3.50-R	3,624	2,136	1,563	534	4,660	900	3,450	Rubber Lip	DGGB	4.10
UTRE-3.50E-R	11,957	7,200	3,540	3,150	3,390	-	1,500	Rubber Dual Lip	TRB	4.10
UTRE-4.50A-R	7,393	5,036	3,358	1,259	13,980	1,950	1,500	Rubber Lip	DGGB	8.72
UTRE-4.50-R	14,300	20,000	5,790	12,000	12,710	-	1,500	Rubber Dual Lip	TRB	8.76
UTRE-5.50-R	14,300	20,000	5,790	12,000	13,980	-	1,500	Rubber Dual Lip	TRB	12.94
UTRE-6.00-R	35,870	58,400	13,310	32,100	38,190	-	1,500	Rubber Dual Lip	TRB	23.99
UTRE-7.00-R	35,830	56,200	14,150	32,900	74,580	-	1,500	Rubber Dual Lip	TRB	35.48

# UTRY Series Track Roller Assembly

U-Grooved – Yoke Type  
Ball & Tapered Roller Bearings



(989)358-6148  
www.pcimfg.com



FEATURING  
∞ INFINITY ROLLER™  
TECHNOLOGY

Ask About Cost Savings Options (CSO)  
Similar to what other mfg.'s provide

Yoke Type Track Roller Part Number	A Roller Dia.	B Roller Width	C Bore Dia. +.0007 -.0000	G Groove Center	O Rail Size	P Point Dia. +.000 -.001	SD Shoulder Dia.	SL Shoulder Length	T Inner Race Width +.005 -.010	W Tread Width
UTRY-1.75	1.75	0.88	0.4380	0.47	1/2	1.500	0.9	0.03	0.937	0.44
UTRY-2.00	2.00	1.00	0.5005	0.53	5/8	1.750	0.9	0.03	1.063	0.50
UTRY-2.50	2.50	1.25	0.6255	0.66	3/4	2.000	1.1	0.03	1.313	0.71
UTRY-3.50A	3.50	1.75	1.0005	0.91	1	3.000	1.8	0.03	1.813	0.87
UTRY-3.50	3.50	1.75	1.0005	0.91	1	3.000	1.8	0.03	1.813	0.87
UTRY-4.50A	4.50	2.25	1.2505	1.16	1	4.000	2.0	0.03	2.313	0.87
UTRY-4.50	4.50	2.25	1.2505	1.16	1	4.000	2.0	0.03	2.313	0.87
UTRY-5.50	5.50	2.75	1.7508	1.44	1 1/4	5.000	3.2	0.06	2.875	1.00
UTRY-6.00	5.94	2.75	1.7508	1.44	1 1/2	5.000	3.2	0.06	2.875	1.39
UTRY-7.00	6.94	3.25	2.2508	1.69	2	6.000	3.5	0.06	3.375	1.69

Optional PCI Yoke Shaft	Optional PCI Eccentric Yoke Shaft
YSH-.437	YSHE-.437
YSH-.500	YSHE-.500
YSH-.625	YSHE-.625
YSH-1.000	YSHE-1.000
YSH-1.000	YSHE-1.000
YSH-1.250	YSHE-1.250
YSH-1.250	YSHE-1.250
YSH-1.750	YSHE-1.750
YSH-1.750	YSHE-1.750
YSH-2.250	YSHE-2.250

# UTRY Series Track Roller Assembly

U-Grooved – Yoke Type  
Ball & Tapered Roller Bearings



## ADDITIONAL NOTES

DGBB: Deep Groove Ball Bearings – Alloy Steel  
TRB: Tapered Roller Bearings – Alloy Steel

FEATURING ∞ INFINITY ROLLER™ TECHNOLOGY  
Ask About Cost Savings Options (CSO)  
Similar to what other mfg.'s provide

PCI Heavy Duty Yoke Shafts are available at an additional cost. See YSH page for details.

Specifications subject to change without notice.

Yoke Type Track Roller Part Number	Basic Radial Dynamic Load Rating (lbs) C	Basic Radial Static Load Rating (lbs) Co	Thrust Dynamic Load Rating (lbs)	Thrust Static Load Rating (lbs)	Seal Type	Bearing Type	Approx. Roller Weight (lbs)
UTRY-1.75	1,683	1,147	764	287	Rubber Lip	DGBB	0.42
UTRY-2.00	1,683	1,147	764	287	Rubber Lip	DGBB	0.65
UTRY-2.50	3,624	2,248	1,591	562	Rubber Lip	DGBB	1.19
UTRY-3.50A	6,118	4,586	2,884	1,147	Rubber Lip	DGBB	3.30
UTRY-3.50	14,300	20,000	5,790	12,000	Rubber Dual Lip	TRB	3.50
UTRY-4.50A	6,483	5,216	3,145	1,304	Rubber Lip	DGBB	7.93
UTRY-4.50	17,600	27,200	5,750	13,100	Rubber Dual Lip	TRB	8.34
UTRY-5.50	35,870	58,400	13,310	32,100	Rubber Dual Lip	TRB	15.00
UTRY-6.00	35,870	58,400	13,310	32,100	Rubber Dual Lip	TRB	16.59
UTRY-7.00	35,830	56,200	14,150	32,900	Rubber Dual Lip	TRB	25.42

# UTRY-R Series Track Roller Assembly

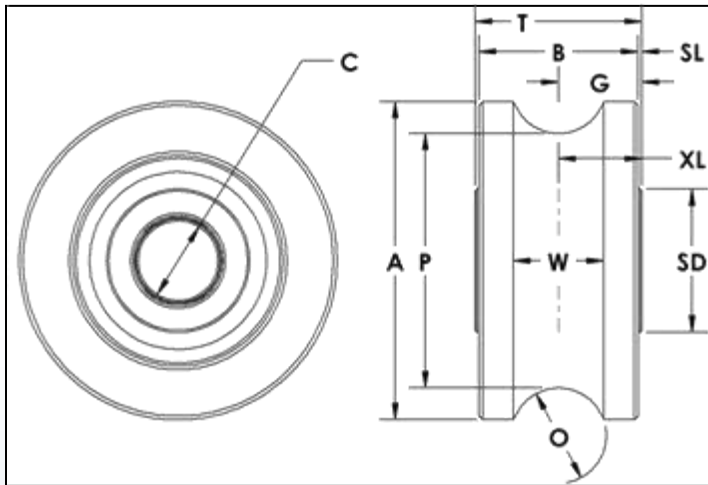
U-Grooved – Yoke Type

Ball & Tapered Roller Bearings - Regreasable



(989)358-6148

www.pcimfg.com



FEATURING  
∞ INFINITY ROLLER™  
TECHNOLOGY

Yoke Type Track Roller Part Number	A	B	C	G	O	P	SD	SL	T	W	XL	Optional PCI Yoke Shaft	Optional PCI Eccentric Yoke Shaft
	Roller Dia.	Roller Width	Bore Dia. +.0007 -.0000	Groove Center	Rail Size	Point Dia. +.000 -.001	Shoulder Dia.	Shoulder Length	Inner Race Width +.005 -.010	Tread Width	Grease Groove Location		
UTRY-1.75-R	1.75	0.88	0.4380	0.47	1/2	1.500	0.9	0.03	0.937	0.44	-	YSH-.437-R	YSHE-.437-R
UTRY-2.00-R	2.00	1.00	0.5005	0.53	5/8	1.750	0.9	0.03	1.063	0.50	0.53	YSH-.500-R	YSHE-.500-R
UTRY-2.50-R	2.50	1.25	0.6255	0.66	3/4	2.000	1.1	0.03	1.313	0.71	0.66	YSH-.625-R	YSHE-.625-R
UTRY-3.50A-R	3.50	1.75	1.0005	0.91	1	3.000	1.8	0.03	1.813	0.87	0.91	YSH-1.000-R	YSHE-1.000-R
UTRY-3.50-R	3.50	1.75	1.0005	0.91	1	3.000	1.8	0.03	1.813	0.87	0.91	YSH-1.000-R	YSHE-1.000-R
UTRY-4.50A-R	4.50	2.25	1.2505	1.16	1	4.000	2.0	0.03	2.313	0.87	1.16	YSH-1.250-R	YSHE-1.250-R
UTRY-4.50-R	4.50	2.25	1.2505	1.16	1	4.000	2.0	0.03	2.313	0.87	1.16	YSH-1.250-R	YSHE-1.250-R
UTRY-5.50-R	5.50	2.75	1.7508	1.44	1 1/4	5.000	3.2	0.06	2.875	1.00	1.44	YSH-1.750-R	YSHE-1.750-R
UTRY-6.00-R	5.94	2.75	1.7508	1.44	1 1/2	5.000	3.2	0.06	2.875	1.39	1.44	YSH-1.750-R	YSHE-1.750-R
UTRY-7.00-R	6.94	3.25	2.2508	1.69	2	6.000	3.5	0.06	3.375	1.69	1.69	YSH-2.250-R	YSHE-2.250-R

# UTRY-R Series Track Roller Assembly

U-Grooved – Yoke Type

Ball & Tapered Roller Bearings - Regreasable



(989)358-6148

www.pcimfg.com



## ADDITIONAL NOTES

DGGB: Deep Groove Ball Bearings – Alloy Steel  
 TRB: Tapered Roller Bearings – Alloy Steel

FEATURING ∞ INFINITY ROLLER™ TECHNOLOGY

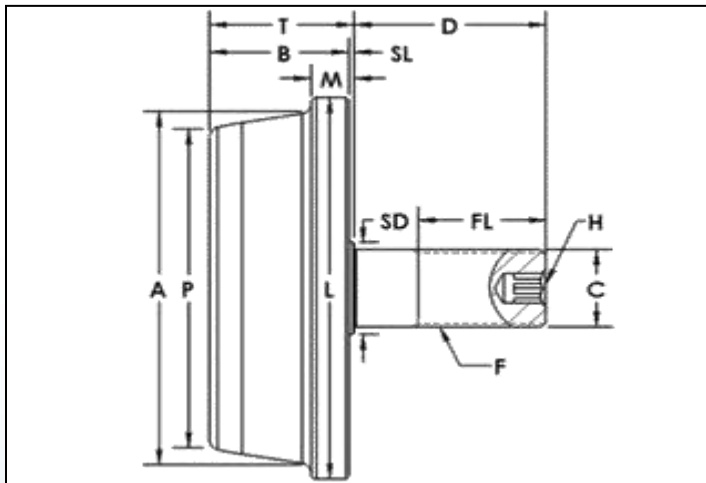
PCI Heavy Duty Yoke Shafts are available at an additional cost. See YSH page for details.

Specifications subject to change without notice.

Yoke Type Track Roller Part Number	Basic Radial Dynamic Load Rating (lbs) C	Basic Radial Static Load Rating (lbs) Co	Thrust Dynamic Load Rating (lbs)	Thrust Static Load Rating (lbs)	Seal Type	Bearing Type	Approx. Roller Weight (lbs)
UTRY-1.75-R	1,683	1,147	764	287	Rubber Lip	DGGB	0.42
UTRY-2.00-R	1,683	1,147	764	287	Rubber Lip	DGGB	0.65
UTRY-2.50-R	3,624	2,248	1,591	562	Rubber Lip	DGGB	1.19
UTRY-3.50A-R	6,118	4,586	2,884	1,147	Rubber Lip	DGGB	3.30
UTRY-3.50-R	14,300	20,000	5,790	12,000	Rubber Dual Lip	TRB	3.50
UTRY-4.50A-R	6,483	5,216	3,145	1,304	Rubber Lip	DGGB	7.93
UTRY-4.50-R	17,600	27,200	5,750	13,100	Rubber Dual Lip	TRB	8.34
UTRY-5.50-R	35,870	58,400	13,310	32,100	Rubber Dual Lip	TRB	15.00
UTRY-6.00-R	35,870	58,400	13,310	32,100	Rubber Dual Lip	TRB	16.59
UTRY-7.00-R	35,830	56,200	14,150	32,900	Rubber Dual Lip	TRB	25.42

# CIR Series Track Roller Assembly

Channel & I-Beam – Stud Type Concentric  
Ball & Tapered Roller Bearings



FEATURING  
∞ INFINITY ROLLER™  
TECHNOLOGY

Stud Type Track Roller Part Number	A	B	C	D	F	FL	H	L	M	P	SD	SL	T
	Roller Dia.	Roller Width	Stud Dia. +.000 -.001	Stud Length	Thread Size	Thread Length	Hex Size	Flange Dia	Flange Width	Point Dia.	Shoulder Dia.	Shoulder Length	Roller Width + Shoulder Length
CIR-3.00	2.56	1.13	0.625	1.50	5/8 - 18	0.75	5/16	2.94	0.31	2.23	0.8	0.06	1.19
CIR-3.00E	2.56	1.63	0.875	2.00	7/8 - 14	1.13	5/16	2.94	0.62	2.17	1.0	0.06	1.69
CIR-3.00-1	2.50	1.63	1.000	2.25	1 - 14	1.50	3/8	2.94	0.50	2.06	1.2	0.06	1.69
CIR-4.00	3.56	1.63	0.875	2.00	7/8 - 14	1.13	5/16	3.94	0.53	3.14	1.0	0.06	1.69
CIR-4.00E	3.56	1.63	1.000	2.25	1 - 14	1.50	3/8	3.94	0.53	3.14	1.2	0.06	1.69
CIR-4.00-1	3.00	1.75	1.000	2.25	1 - 14	1.50	3/8	3.94	0.59	2.56	1.3	0.06	1.81
CIR-5.00	4.56	1.63	1.000	2.25	1 - 14	1.50	3/8	4.94	0.50	4.13	1.2	0.06	1.69
CIR-5.00E	4.56	1.94	1.250	2.50	1 1/4 - 12	1.75	1/2	4.94	0.69	4.05	1.8	0.06	2.00
CIR-5.00E-1	4.00	1.94	1.250	2.75	1 1/4 - 12	1.75	1/2	4.94	0.59	3.31	1.8	0.06	2.00
CIR-6.00	5.56	1.94	1.250	2.50	1 1/4 - 12	1.75	1/2	5.94	0.56	4.99	1.8	0.06	2.00

# CIR Series Track Roller Assembly

Channel & I-Beam – Stud Type Concentric  
Ball & Tapered Roller Bearings



## ADDITIONAL NOTES

\*For lubricated threads, use half the maximum clamping torque value shown.

DGBB: Deep Groove Ball Bearings – Alloy Steel  
TRB: Tapered Roller Bearings – Alloy Steel

FEATURING ∞ INFINITY ROLLER™ TECHNOLOGY

Jam Nut & Lock Washer sets are available at an additional cost.

Specifications subject to change without notice.

Stud Type Track Roller Part Number	Basic Radial Dynamic Load Rating (lbs) C	Basic Radial Static Load Rating (lbs) Co	Thrust Dynamic Load Rating (lbs)	Thrust Static Load Rating (lbs)	Stud Capacity (lbs)	Retaining Ring Capacity (lbs)	Max. Clamping Torque (in-lbs)*	Seal Type	Bearing Type	Approx. Roller Weight (lbs)
CIR-3.00	2,651	1,394	1,101	348	1,070	550	350	Rubber Lip	DGBB	1.64
CIR-3.00E	3,624	2,136	1,563	534	3,020	900	650	Rubber Lip	DGBB	2.40
CIR-3.00-1	3,624	2,248	1,591	562	4,770	1,340	650	Rubber Lip	DGBB	2.37
CIR-4.00	3,624	2,136	1,563	534	2,960	900	650	Rubber Lip	DGBB	4.64
CIR-4.00E	5,390	3,507	2,407	877	6,450	1,340	650	Rubber Lip	DGBB	4.65
CIR-4.00-1	10,880	7,630	4,010	4,570	5,970	-	1,500	Rubber Dual Lip	TRB	3.98
CIR-5.00	5,390	3,507	2,407	877	6,540	1,340	650	Rubber Lip	DGBB	7.58
CIR-5.00E	14,300	20,000	5,790	12,000	10,400	-	1,500	Rubber Dual Lip	TRB	9.24
CIR-5.00E-1	14,300	20,000	5,790	12,000	10,800	-	1,500	Rubber Dual Lip	TRB	9.24
CIR-6.00	14,300	20,000	5,790	12,000	10,930	-	1,500	Rubber Dual Lip	TRB	13.40

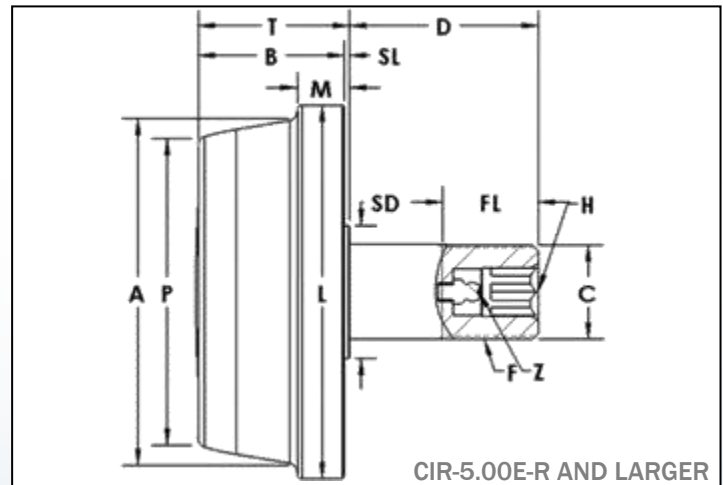
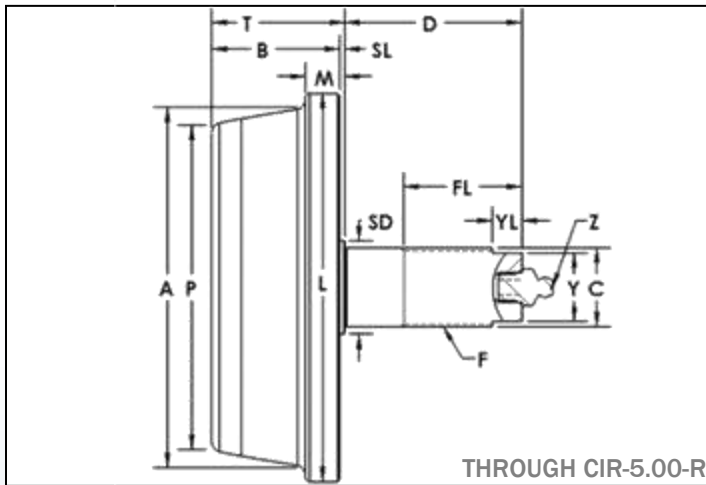


# CIR-R Series Track Roller Assembly

Channel & I-Beam – Stud Type Concentric  
Ball & Tapered Roller Bearings - Regreasable



(989)358-6148  
www.pcimfg.com



Stud Type Track Roller Part Number	A	B	C	D	F	FL	H	L	M	P	SD	SL	T	Y	YL	Z
	Roller Dia.	Roller Width	Stud Dia. +.000 -.001	Stud Length	Thread Size	Thread Length	Hex Size	Flange Dia	Flange Width	Point Dia.	Shoulder Dia.	Shoulder Length	Roller Width + Shoulder Length	Wrench Flat	Wrench Flat Length	Lube Size
CIR-3.00-R	2.56	1.13	0.625	1.50	5/8 - 18	0.75	-	2.94	0.31	2.23	0.8	0.06	1.19	0.500	0.375	1/4-28 UNF
CIR-3.00E-R	2.56	1.63	0.875	2.00	7/8 - 14	1.13	-	2.94	0.62	2.17	1.0	0.06	1.69	0.625	0.375	1/8-27 NPT
CIR-3.00-1-R	2.50	1.63	1.000	2.25	1 - 14	1.50	-	2.94	0.50	2.06	1.2	0.06	1.69	0.875	0.375	1/8-27 NPT
CIR-4.00-R	3.56	1.63	0.875	2.00	7/8 - 14	1.13	-	3.94	0.53	3.14	1.0	0.06	1.69	0.625	0.375	1/8-27 NPT
CIR-4.00E-R	3.56	1.63	1.000	2.25	1 - 14	1.50	-	3.94	0.53	3.14	1.2	0.06	1.69	0.875	0.375	1/8-27 NPT
CIR-4.00-1-R	3.00	1.75	1.000	2.25	1 - 14	1.50	-	3.94	0.59	2.56	1.3	0.06	1.81	0.875	0.375	1/8-27 NPT
CIR-5.00-R	4.56	1.63	1.000	2.25	1 - 14	1.50	-	4.94	0.50	4.13	1.2	0.06	1.69	0.875	0.375	1/8-27 NPT
CIR-5.00E-R	4.56	1.94	1.250	2.50	1 1/4 - 12	1.75	5/8	4.94	0.69	4.05	1.8	0.06	2.00	-	-	1/4-28 UNF
CIR-5.00E-1-R	4.00	1.94	1.250	2.75	1 1/4 - 12	1.75	5/8	4.94	0.59	3.31	1.8	0.06	2.00	-	-	1/4-28 UNF
CIR-6.00-R	5.56	1.94	1.250	2.50	1 1/4 - 12	1.75	5/8	5.94	0.56	4.99	1.8	0.06	2.00	-	-	1/4-28 UNF

# CIR-R Series Track Roller Assembly

Channel & I-Beam – Stud Type Concentric  
Ball & Tapered Roller Bearings - Regreasable



## ADDITIONAL NOTES

\*For lubricated threads, use half the maximum clamping torque value shown.

DGBB: Deep Groove Ball Bearings – Alloy Steel  
TRB: Tapered Roller Bearings – Alloy Steel

FEATURING ∞ INFINITY ROLLER™ TECHNOLOGY

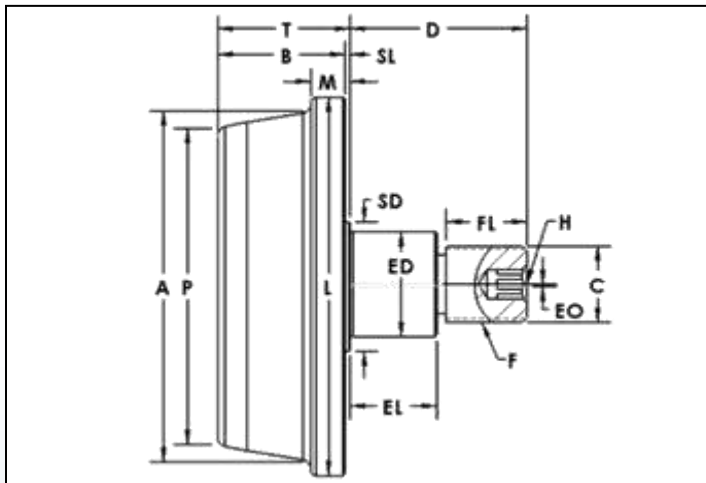
Jam Nut & Lock Washer sets are available at an additional cost.

Specifications subject to change without notice.

Stud Type Track Roller Part Number	Basic Radial Dynamic Load Rating (lbs) C	Basic Radial Static Load Rating (lbs) Co	Thrust Dynamic Load Rating (lbs)	Thrust Static Load Rating (lbs)	Stud Capacity (lbs)	Retaining Ring Capacity (lbs)	Max. Clamping Torque (in-lbs)*	Seal Type	Bearing Type	Approx. Roller Weight (lbs)
CIR-3.00-R	2,651	1,394	1,101	348	1,080	550	350	Rubber Lip	DGBB	1.64
CIR-3.00E-R	3,624	2,136	1,563	534	3,020	900	2,250	Rubber Lip	DGBB	2.40
CIR-3.00-1-R	3,624	2,248	1,591	562	4,770	1,340	650	Rubber Lip	DGBB	2.37
CIR-4.00-R	3,624	2,136	1,563	534	2,960	900	2,250	Rubber Lip	DGBB	4.64
CIR-4.00E-R	5,390	3,507	2,407	877	6,450	1,340	650	Rubber Lip	DGBB	4.65
CIR-4.00-1-R	10,880	7,630	4,010	4,570	5,970	-	1,500	Rubber Dual Lip	TRB	3.98
CIR-5.00-R	5,390	3,507	2,407	877	6,540	1,340	650	Rubber Lip	DGBB	7.58
CIR-5.00E-R	14,300	20,000	5,790	12,000	10,400	-	1,500	Rubber Dual Lip	TRB	9.24
CIR-5.00E-1-R	14,300	20,000	5,790	12,000	10,800	-	1,500	Rubber Dual Lip	TRB	9.24
CIR-6.00-R	14,300	20,000	5,790	12,000	10,930	-	1,500	Rubber Dual Lip	TRB	13.40

# CIRE Series Track Roller Assembly

Channel & I-Beam – Stud Type Eccentric  
Ball & Tapered Roller Bearings



FEATURING  
∞ INFINITY ROLLER™  
TECHNOLOGY

Stud Type Track Roller Part Number	A	B	C	D	ED	EL	EO	F	FL	H	L	M	P	SD	SL	T
	Roller Dia.	Roller Width	Stud Dia. +.000 -.001	Stud Length	Ecc Dia +.000 -.002	Ecc Length	Ecc Offset	Thread Size	Thread Length	Hex Size	Flange Dia	Flange Width	Point Dia.	Shoulder Dia.	Shoulder Length	Roller Width + Shoulder Length
CIRE-3.00	2.56	1.13	0.625	1.50	0.875	0.73	0.03	5/8 - 18	0.77	5/16	2.94	0.31	2.23	1.1	0.06	1.19
CIRE-3.00E	2.56	1.63	0.875	2.00	1.187	0.98	0.03	7/8 - 14	1.02	5/16	2.94	0.62	2.17	1.5	0.06	1.69
CIRE-3.00-1	2.50	1.63	1.000	2.25	1.375	1.11	0.03	1 - 14	1.15	3/8	2.94	0.50	2.06	1.7	0.06	1.69
CIRE-4.00	3.56	1.63	0.875	2.00	1.187	0.98	0.03	7/8 - 14	1.02	5/16	3.94	0.53	3.14	1.5	0.06	1.69
CIRE-4.00E	3.56	1.63	1.000	2.25	1.375	1.11	0.03	1 - 14	1.15	3/8	3.94	0.53	3.14	1.7	0.06	1.69
CIRE-4.00-1	3.00	1.75	1.000	2.25	1.375	1.11	0.03	1 - 14	1.15	3/8	3.94	0.59	2.56	1.7	0.06	1.81
CIRE-5.00	4.56	1.63	1.000	2.25	1.375	1.11	0.03	1 - 14	1.15	3/8	4.94	0.50	4.13	1.7	0.06	1.69
CIRE-5.00E	4.56	1.94	1.250	2.50	1.750	1.23	0.06	1 1/4 - 12	1.27	1/2	4.94	0.69	4.05	2.2	0.06	2.20
CIRE-5.00E-1	4.00	1.94	1.250	2.75	1.812	1.36	0.06	1 1/4 - 12	1.40	1/2	4.94	0.59	3.31	2.2	0.06	2.00
CIRE-6.00	5.56	1.94	1.250	2.50	1.750	1.23	0.06	1 1/4 - 12	1.27	1/2	5.94	0.56	4.99	2.2	0.06	2.00

# CIRE Series Track Roller Assembly

Channel & I-Beam – Stud Type Eccentric  
Ball & Tapered Roller Bearings



## ADDITIONAL NOTES

\*For lubricated threads, use half the maximum clamping torque value shown.

DGBB: Deep Groove Ball Bearings – Alloy Steel  
TRB: Tapered Roller Bearings – Alloy Steel

FEATURING ∞ INFINITY ROLLER™ TECHNOLOGY

Jam Nut & Lock Washer sets are available at an additional cost.

Specifications subject to change without notice.

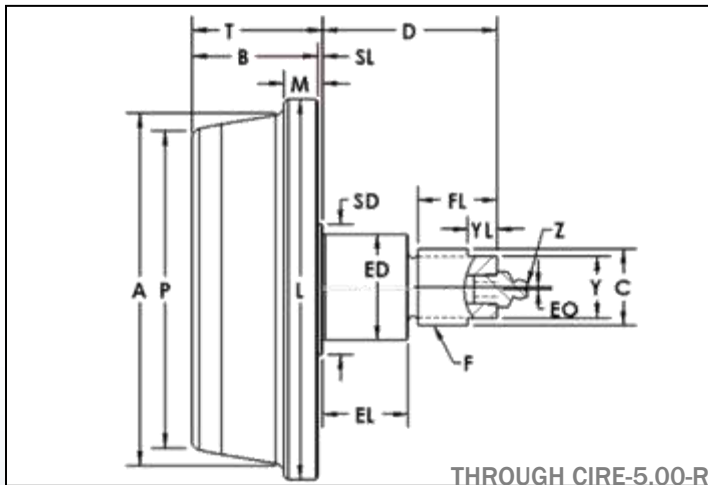
Stud Type Track Roller Part Number	Basic Radial Dynamic Load Rating (lbs) C	Basic Radial Static Load Rating (lbs) Co	Thrust Dynamic Load Rating (lbs)	Thrust Static Load Rating (lbs)	Stud Capacity (lbs)	Retaining Ring Capacity (lbs)	Max. Clamping Torque (in-lbs)*	Seal Type	Bearing Type	Approx. Roller Weight (lbs)
CIRE-3.00	2,651	1,394	1,101	348	1,080	550	650	Rubber Lip	DGBB	1.66
CIRE-3.00E	3,624	2,136	1,563	534	3,020	900	3,450	Rubber Lip	DGBB	2.59
CIRE-3.00-1	3,624	2,248	1,591	562	4,770	1,340	5,000	Rubber Lip	DGBB	2.59
CIRE-4.00	3,624	2,136	1,563	534	2,960	900	3,450	Rubber Lip	DGBB	4.86
CIRE-4.00E	5,390	3,507	2,407	877	6,450	1,340	2,250	Rubber Lip	DGBB	4.93
CIRE-4.00-1	10,880	7,630	4,010	4,570	5,970	-	1,500	Rubber Dual Lip	TRB	4.26
CIRE-5.00	5,390	3,507	2,407	877	6,540	1,340	2,250	Rubber Lip	DGBB	7.85
CIRE-5.00E	14,300	20,000	5,790	12,000	9,680	-	1,500	Rubber Dual Lip	TRB	9.71
CIRE-5.00E-1	14,300	20,000	5,790	12,000	10,800	-	1,500	Rubber Dual Lip	TRB	9.71
CIRE-6.00	14,300	20,000	5,790	12,000	10,930	-	1,500	Rubber Dual Lip	TRB	13.46

# CIRE-R Series Track Roller Assembly

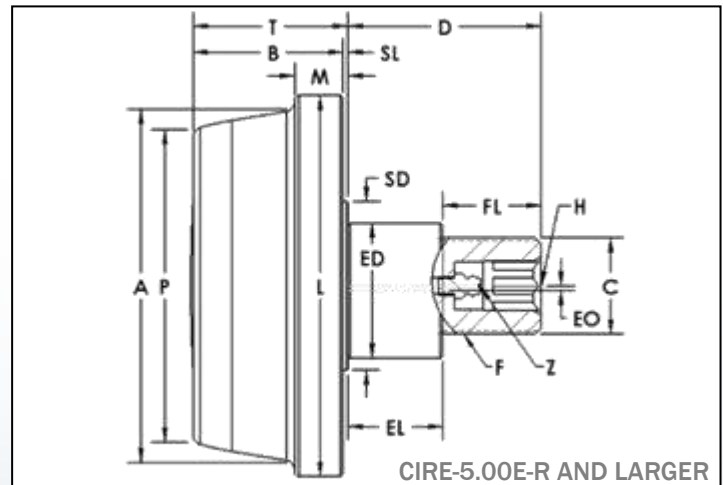
Channel & I-Beam – Stud Type Eccentric  
Ball & Tapered Roller Bearings - Regreasable



(989)358-6148  
www.pcimfg.com



THROUGH CIRE-5.00-R



CIRE-5.00E-R AND LARGER

Stud Type Track Roller Part Number	A	B	C	D	ED	EL	EO	F	FL	H	L	M	P	SD	SL	T	Y	YL	Z
	Roller Dia.	Roller Width	Stud Dia. +.000 -.001	Stud Length	Ecc Dia +.000 -.002	Ecc Length	Ecc Offset	Thread Size	Thread Length	Hex Size	Flange Dia	Flange Width	Point Dia.	Shld Dia.	Shld Length	Roller Width + Shoulder Length	Wrench Flat	Wrench Flat Length	Lube Size
CIRE-3.00-R	2.56	1.13	0.625	1.50	0.875	0.73	0.03	5/8 - 18	0.77	-	2.94	0.31	2.23	1.1	0.06	1.19	0.500	0.375	1/4-28 UNF
CIRE-3.00E-R	2.56	1.63	0.875	2.00	1.187	0.98	0.03	7/8 - 14	1.02	-	2.94	0.62	2.17	1.5	0.06	1.69	0.625	0.375	1/8-27 NPT
CIRE-3.00-1-R	2.50	1.63	1.000	2.25	1.375	1.11	0.03	1 - 14	1.15	-	2.94	0.50	2.06	1.7	0.06	1.69	0.875	0.375	1/8-27 NPT
CIRE-4.00-R	3.56	1.63	0.875	2.00	1.187	0.98	0.03	7/8 - 14	1.02	-	3.94	0.53	3.14	1.5	0.06	1.69	0.625	0.375	1/8-27 NPT
CIRE-4.00E-R	3.56	1.63	1.000	2.25	1.375	1.11	0.03	1 - 14	1.15	-	3.94	0.53	3.14	1.7	0.06	1.69	0.875	0.375	1/8-27 NPT
CIRE-4.00-1-R	3.00	1.75	1.000	2.25	1.375	1.11	0.03	1 - 14	1.15	-	3.94	0.59	2.56	1.7	0.06	1.81	0.875	0.375	1/8-27 NPT
CIRE-5.00-R	4.56	1.63	1.000	2.25	1.375	1.11	0.03	1 - 14	1.15	-	4.94	0.50	4.13	1.7	0.06	1.69	0.875	0.375	1/8-27 NPT
CIRE-5.00E-R	4.56	1.94	1.250	2.50	1.750	1.23	0.06	1 1/4 - 12	1.27	5/8	4.94	0.69	4.05	2.2	0.06	2.20	-	-	1/4-28 UNF
CIRE-5.00E-1-R	4.00	1.94	1.250	2.75	1.812	1.36	0.06	1 1/4 - 12	1.40	5/8	4.94	0.59	3.31	2.2	0.06	2.00	-	-	1/4-28 UNF
CIRE-6.00-R	5.56	1.94	1.250	2.50	1.750	1.23	0.06	1 1/4 - 12	1.27	5/8	5.94	0.56	4.99	2.2	0.06	2.00	-	-	1/4-28 UNF

# CIRE-R Series Track Roller Assembly

Channel & I-Beam – Stud Type Eccentric  
Ball & Tapered Roller Bearings - Regreasable



(989)358-6148  
www.pcimfg.com



## ADDITIONAL NOTES

\*For lubricated threads, use half the maximum clamping torque value shown.

DGBB: Deep Groove Ball Bearings – Alloy Steel  
TRB: Tapered Roller Bearings – Alloy Steel

FEATURING ∞ INFINITY ROLLER™ TECHNOLOGY

Jam Nut & Lock Washer sets are available at an additional cost.

Specifications subject to change without notice.

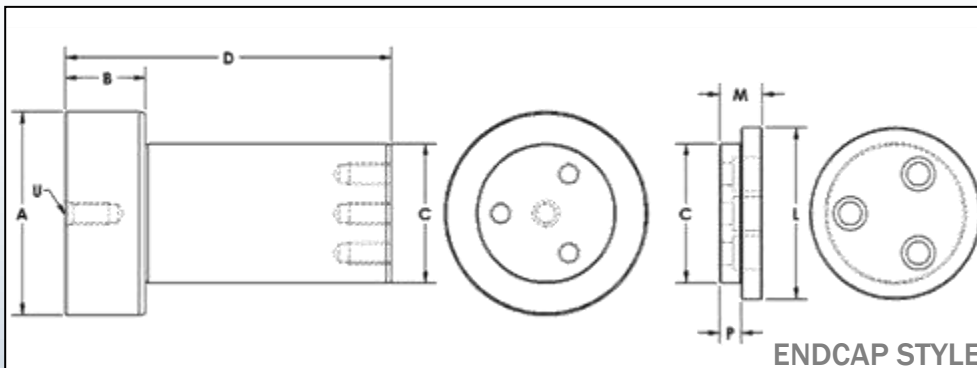
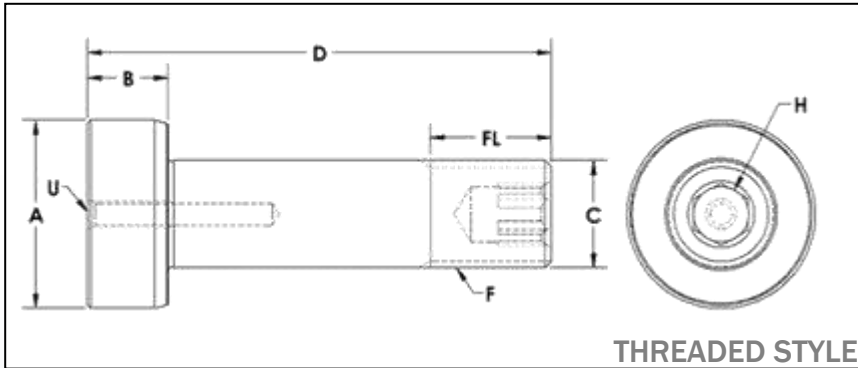
Stud Type Track Roller Part Number	Basic Radial Dynamic Load Rating (lbs) C	Basic Radial Static Load Rating (lbs) Co	Thrust Dynamic Load Rating (lbs)	Thrust Static Load Rating (lbs)	Stud Capacity (lbs)	Retaining Ring Capacity (lbs)	Max. Clamping Torque (in-lbs)*	Seal Type	Bearing Type	Approx. Roller Weight (lbs)
CIRE-3.00-R	2,651	1,394	1,101	348	1,080	550	650	Rubber Lip	DGBB	1.66
CIRE-3.00E-R	3,624	2,136	1,563	534	3,020	900	3,450	Rubber Lip	DGBB	2.61
CIRE-3.00-1-R	3,624	2,248	1,591	562	4,770	1,340	5,000	Rubber Lip	DGBB	2.69
CIRE-4.00-R	3,624	2,136	1,563	534	2,960	900	3,450	Rubber Lip	DGBB	4.86
CIRE-4.00E-R	5,390	3,507	2,407	877	6,450	1,340	2,250	Rubber Lip	DGBB	4.93
CIRE-4.00-1-R	10,880	7,630	4,010	4,570	5,970	-	1,500	Rubber Dual Lip	TRB	4.26
CIRE-5.00-R	5,390	3,507	2,407	877	6,540	1,340	2,250	Rubber Lip	DGBB	7.85
CIRE-5.00E-R	14,300	20,000	5,790	12,000	9,680	-	1,500	Rubber Dual Lip	TRB	9.71
CIRE-5.00E-1-R	14,300	20,000	5,790	12,000	10,800	-	1,500	Rubber Dual Lip	TRB	9.71
CIRE-6.00-R	14,300	20,000	5,790	12,000	10,930	-	1,500	Rubber Dual Lip	TRB	13.39

# YSH Series Heavy Duty Yoke Shaft

Threaded & Endcap Style – Concentric Shaft



(989)358-6148  
www.pcimfg.com



Yoke Shaft Part Number	A	B	C	D	F	FL	H	L	M	P	U	Style	Approx. Weight (lbs)
	Head Dia. -.0002 -.0010	Head Width	Shaft Dia. +.0000 -.0005	Shaft Length	Thread Size	Thread Length	Hex Size	Main Dia.	Overall Width	Minor Width	Internal Thread		
YSH-.437	0.7500	0.38	0.4370	2.06	7/16 - 20	0.38	5/32	-	-	-	1/4 - 28 UNF	Threaded	0.13
YSH-.500	0.8750	0.44	0.5000	2.38	1/2 - 20	0.56	5/32	-	-	-	1/4 - 28 UNF	Threaded	0.20
YSH-.625	1.1250	0.50	0.6250	3.00	5/8 - 18	0.56	1/4	-	-	-	1/4 - 28 UNF	Threaded	0.48
YSH-.750	1.2500	0.63	0.7500	3.69	3/4 - 16	1.00	5/16	-	-	-	1/4 - 28 UNF	Threaded	0.81
YSH-1.000	1.7500	0.75	1.0000	4.31	1 - 14	1.13	5/16	-	-	-	1/4 - 28 UNF	Threaded	1.26
YSH-1.125	2.0000	0.88	1.1250	4.88	1 1/8 - 12	1.19	1/2	-	-	-	3/8 - 16 UNC	Threaded	1.86
YSH-1.250	2.2500	0.88	1.2500	5.25	1 1/4 - 12	1.31	1/2	-	-	-	3/8 - 16 UNC	Threaded	2.47
YSH-1.750	3.5000	1.25	1.7500	7.00	1 3/4 - 12	1.88	1/2	-	-	-	1/2 - 13 UNC	Threaded	7.33
YSH-2.250	3.5000	1.25	2.2500	7.75	2 1/4 - 12	2.13	5/8	-	-	-	1/2 - 13 UNC	Threaded	11.38
YSH-2.750	4.2500	1.38	2.7500	9.00	2 3/4 - 12	2.63	5/8	-	-	-	1/2 - 13 UNC	Threaded	23.46
YSH-3.250	4.7500	1.88	3.2550	7.63	-	-	-	4.00	1.00	0.50	1/2 - 13 UNC	Endcap	25.67
YSH-3.750	5.5000	2.13	3.7550	8.63	-	-	-	4.50	1.13	0.50	3/4 - 10 UNC	Endcap	38.00
YSH-4.250	6.5000	2.25	4.2550	9.38	-	-	-	5.00	1.13	0.50	3/4 - 10 UNC	Endcap	54.86

## ADDITIONAL NOTES

Jam Nut & Lock Washer sets and lubrication fittings are included.

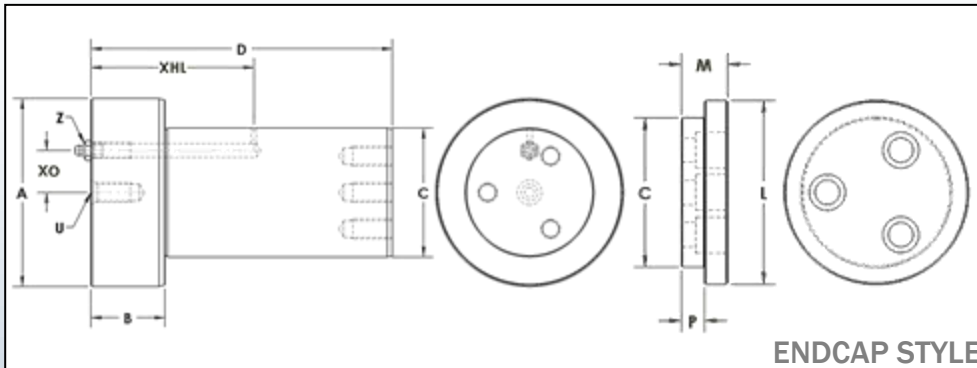
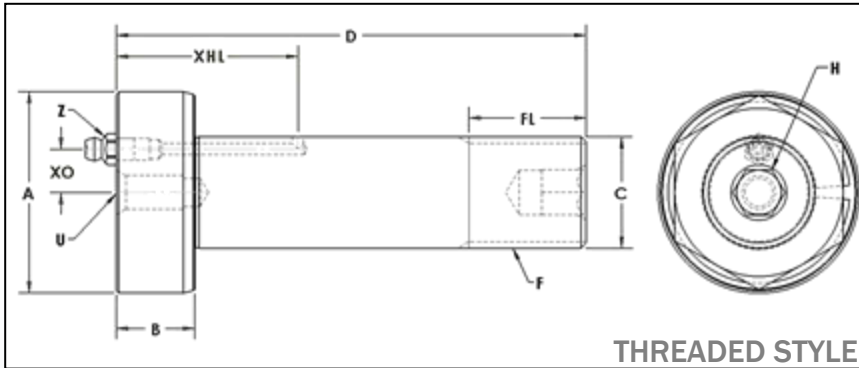
Specifications subject to change without notice.

# YSH-R Series Heavy Duty Yoke Shaft

Threaded & Endcap Style – Concentric Shaft  
Regreasable



(989)358-6148  
www.pcimfg.com



Yoke Shaft Part Number	A	B	C	D	F	FL	H	L	M	P	U	XHL	XO	Z	Style	Approx. Weight (lbs)
	Head Dia. -.0002 -.0010	Head Width	Shaft Dia. +.0000 -.0005	Shaft Length	Thread Size	Thread Length	Hex Size	Main Dia.	Overall Width	Minor Width	Internal Thread	Crosshole Location	Grease Fitting Offset	Lube Size		
YSH-.437-R	0.7500	0.38	0.4370	2.06	7/16 - 20	0.38	5/32	-	-	-	1/4 - 28 UNF	0.84	-	1/4 - 28 UNF	Threaded	0.14
YSH-.500-R	0.8750	0.44	0.5000	2.38	1/2 - 20	0.56	5/32	-	-	-	1/4 - 28 UNF	0.97	-	1/4 - 28 UNF	Threaded	0.21
YSH-.625-R	1.1250	0.50	0.6250	3.00	5/8 - 18	0.56	1/4	-	-	-	1/4 - 28 UNF	1.10	-	1/4 - 28 UNF	Threaded	0.49
YSH-.750-R	1.2500	0.63	0.7500	3.69	3/4 - 16	1.00	5/16	-	-	-	1/4 - 28 UNF	1.40	-	1/4 - 28 UNF	Threaded	0.71
YSH-1.000-R	1.7500	0.75	1.0000	4.31	1 - 14	1.13	5/16	-	-	-	1/4 - 28 UNF	1.66	-	1/4 - 28 UNF	Threaded	1.27
YSH-1.125-R	2.0000	0.88	1.1250	4.88	1 1/8 - 12	1.19	1/2	-	-	-	3/8 - 16 UNC	1.91	0.42	1/4 - 28 UNF	Threaded	1.85
YSH-1.250-R	2.2500	0.88	1.2500	5.25	1 1/4 - 12	1.31	1/2	-	-	-	3/8 - 16 UNC	2.03	0.48	1/4 - 28 UNF	Threaded	2.47
YSH-1.750-R	3.5000	1.25	1.7500	7.00	1 3/4 - 12	1.88	1/2	-	-	-	1/2 - 13 UNC	2.69	0.69	1/8 - 27 NPT	Threaded	7.34
YSH-2.250-R	3.5000	1.25	2.2500	7.75	2 1/4 - 12	2.13	5/8	-	-	-	1/2 - 13 UNC	2.94	0.94	1/8 - 27 NPT	Threaded	11.36
YSH-2.750-R	4.2500	1.38	2.7500	9.00	2 3/4 - 12	2.63	5/8	-	-	-	1/2 - 13 UNC	3.31	1.06	1/8 - 27 NPT	Threaded	23.02
YSH-3.250-R	4.7500	1.88	3.2550	7.63	-	-	-	4.00	1.00	0.50	1/2 - 13 UNC	4.13	1.06	1/8 - 27 NPT	Endcap	25.58
YSH-3.750-R	5.5000	2.13	3.7550	8.63	-	-	-	4.50	1.13	0.50	3/4 - 10 UNC	4.63	1.25	1/8 - 27 NPT	Endcap	38.00
YSH-4.250-R	6.5000	2.25	4.2550	9.38	-	-	-	5.00	1.13	0.50	3/4 - 10 UNC	5.00	1.38	1/8 - 27 NPT	Endcap	54.86

## ADDITIONAL NOTES

Jam Nut & Lock Washer sets and lubrication fittings are included.

Specifications subject to change without notice.



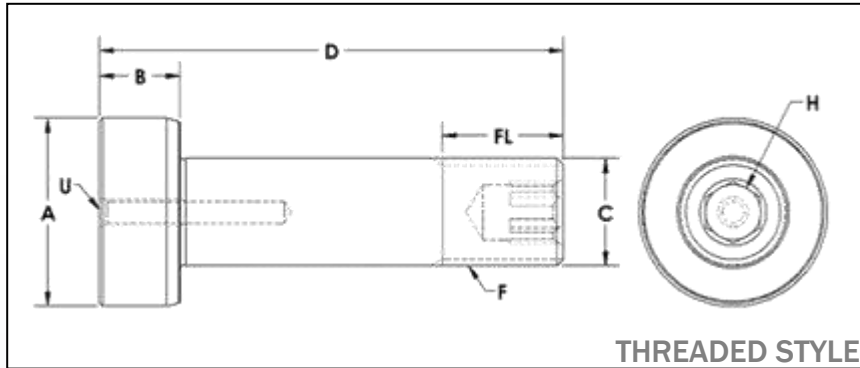
# MYSH Series Heavy Duty Yoke Shaft

Metric - Threaded Style – Concentric Shaft



(989)358-6148

www.pcimfg.com



Yoke Shaft Part Number	A	B	C	D	F	FL	H	U	Approx. Weight (kg)
	Head Dia. -.005 -.025 (mm)	Head Width (mm)	Shaft Dia. +.02 -.04 (mm)	Shaft Length (mm)	Thread Size	Thread Length (mm)	Hex Size (mm)	Internal Thread	
MYSH-10	18	10	10	55	M10 X 1	15	4	M6 X 1	0.32
MYSH-15	25	14	15	80	M14 X 2	22	8	M6 X 1	0.33
MYSH-19	40	16	19	95	M18 X 1.5	26	8	M6 X 1	0.45
MYSH-20	32	16	20	94	M20 X 1.5	25	8	M6 X 1	0.70
MYSH-25	45	19	25	110	M24 X 1.5	29	8	M6 X 1	0.75
MYSH-30	57	22	30	135	M30 X 3.5	31	12.2	M8 X 1.25	0.95
MYSH-45	83	32	45	185	M45 X 4.5	54	12.2	M12 X 1.75	1.50
MYSH-55	89	32	55	195	M52 X 5	62	12.2	M12 X 1.75	5.70
MYSH-70	108	35	70	220	M70 X 6	74	12.2	M12 X 1.75	10.00

## ADDITIONAL NOTES

Jam Nut & Lock Washer sets and lubrication fittings are included.

Specifications subject to change without notice.

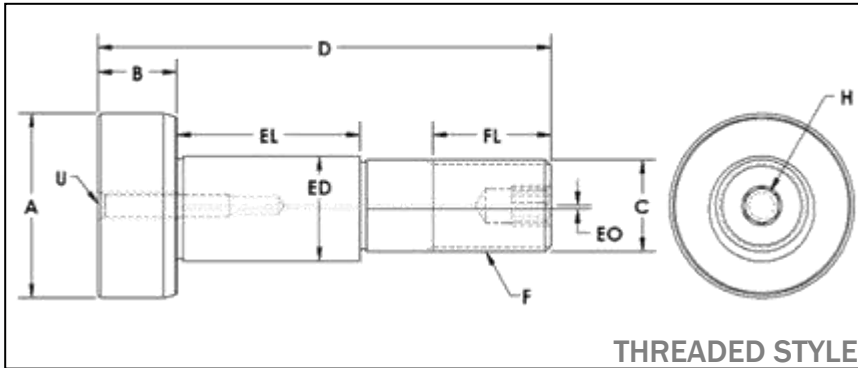
# YSHE Series Heavy Duty Yoke Shaft

Threaded Style – Eccentric Shaft



(989)358-6148

www.pcimfg.com



THREADED STYLE



Yoke Shaft Part Number	A	B	C	D	ED	EL	EO	F	FL	H	U	Approx. Weight (lbs)
	Head Dia. -.0002 -.0010	Head Width	Shaft Dia. +.0000 -.0005	Shaft Length	Ecc Dia +.000 -.002	Ecc Length	Ecc Offset	Thread Size	Thread Length	Hex Size	Internal Thread	
YSHE-.437	0.7500	0.38	0.3130	2.06	0.437	0.84	0.03	5/16 - 18	0.38	5/32	1/4 - 28 UNF	0.11
YSHE-.500	0.8750	0.44	0.3750	2.38	0.500	0.97	0.03	3/8 - 24	0.56	5/32	1/4 - 28 UNF	0.17
YSHE-.625	1.1250	0.50	0.5000	3.00	0.625	1.19	0.03	1/2 - 20	0.56	1/4	1/4 - 28 UNF	0.30
YSHE-.750	1.2500	0.63	0.6250	3.69	0.750	1.50	0.03	5/8 - 18	1.00	5/16	1/4 - 28 UNF	0.66
YSHE-1.000	1.7500	0.75	0.8750	4.31	1.000	1.75	0.03	7/8 - 14	1.13	5/16	1/4 - 28 UNF	1.50
YSHE-1.125	2.0000	0.88	1.0000	4.88	1.125	2.00	0.03	1 - 14	1.19	1/2	3/8 - 16 UNC	2.14
YSHE-1.250	2.2500	0.88	1.0000	5.25	1.250	2.25	0.06	1 - 14	1.31	1/2	3/8 - 16 UNC	2.36
YSHE-1.750	3.5000	1.25	1.5000	7.00	1.750	2.81	0.06	1 1/2 - 12	1.88	1/2	1/2 - 13 UNC	7.87
YSHE-2.250	3.5000	1.25	2.0000	7.75	2.250	3.31	0.06	2 - 12	2.13	5/8	1/2 - 13 UNC	12.32
YSHE-2.750	4.2500	1.38	2.5000	9.00	2.750	3.81	0.06	2 1/2 - 12	2.63	5/8	1/2 - 13 UNC	21.88

## ADDITIONAL NOTES

Jam Nut & Lock Washer sets and lubrication fittings are included.

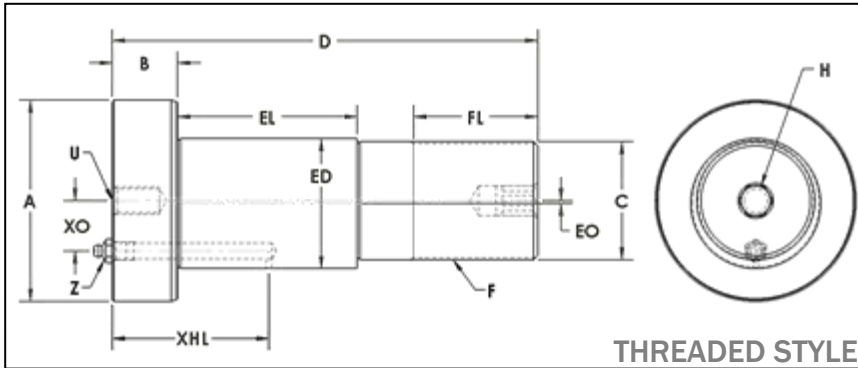
Specifications subject to change without notice.

# YSHE-R Series Heavy Duty Yoke Shaft

Threaded Style – Eccentric Shaft  
Regreasable



(989)358-6148  
www.pcimfg.com



Yoke Shaft Part Number	A	B	C	D	ED	EL	EO	F	FL	H	U	XHL	XO	Z	Approx. Weight (lbs)
	Head Dia. -.0002 -.0010	Head Width	Shaft Dia. +.0000 -.0005	Shaft Length	Ecc Dia +.000 -.002	Ecc Length	Ecc Offset	Thread Size	Thread Length	Hex Size	Internal Thread	Crosshole Location	Grease Fitting Offset	Lube Size	
YSHE-.437-R	0.7500	0.38	0.3130	2.06	0.437	0.84	0.03	5/16 - 18	0.38	5/32	1/4 - 28 UNF	0.84	-	1/4 - 28 UNF	0.12
YSHE-.500-R	0.8750	0.44	0.3750	2.38	0.500	0.97	0.03	3/8 - 24	0.56	5/32	1/4 - 28 UNF	0.97	-	1/4 - 28 UNF	0.18
YSHE-.625-R	1.1250	0.50	0.5000	3.00	0.625	1.19	0.03	1/2 - 20	0.56	1/4	1/4 - 28 UNF	1.10	-	1/4 - 28 UNF	0.38
YSHE-.750-R	1.2500	0.63	0.6250	3.69	0.750	1.50	0.03	5/8 - 18	1.00	5/16	1/4 - 28 UNF	1.40	-	1/4 - 28 UNF	0.79
YSHE-1.000-R	1.7500	0.75	0.8750	4.31	1.000	1.75	0.03	7/8 - 14	1.13	5/16	1/4 - 28 UNF	1.66	-	1/4 - 28 UNF	1.51
YSHE-1.125-R	2.0000	0.88	1.0000	4.88	1.125	2.00	0.03	1 - 14	1.19	1/2	3/8 - 16 UNC	1.91	0.42	1/4 - 28 UNF	2.14
YSHE-1.250-R	2.2500	0.88	1.0000	5.25	1.250	2.25	0.06	1 - 14	1.31	1/2	3/8 - 16 UNC	2.03	0.48	1/4 - 28 UNF	2.58
YSHE-1.750-R	3.5000	1.25	1.5000	7.00	1.750	2.81	0.06	1 1/2 - 12	1.88	1/2	1/2 - 13 UNC	2.69	0.69	1/8 - 27 NPT	7.86
YSHE-2.250-R	3.5000	1.25	2.0000	7.75	2.250	3.31	0.06	2 - 12	2.13	5/8	1/2 - 13 UNC	2.94	0.94	1/8 - 27 NPT	12.31
YSHE-2.750-R	4.2500	1.38	2.5000	9.00	2.750	3.81	0.06	2 1/2 - 12	2.63	5/8	1/2 - 13 UNC	3.31	1.06	1/8 - 27 NPT	21.81

## ADDITIONAL NOTES

Jam Nut & Lock Washer sets and lubrication fittings are included.

Specifications subject to change without notice.

# LOAD BEARING ROLLER ASSEMBLIES



## EXTREME DUTY & INDUSTRY SOLUTIONS



989.358.6148  
[www.pcimfg.com](http://www.pcimfg.com)



# LOAD BEARING ROLLER ASSEMBLIES ∞ INFINITY ROLLER™ TECHNOLOGY EXTREME DUTY SOLUTIONS

Stainless Steel- 316      Track Rollers & XR Rollers

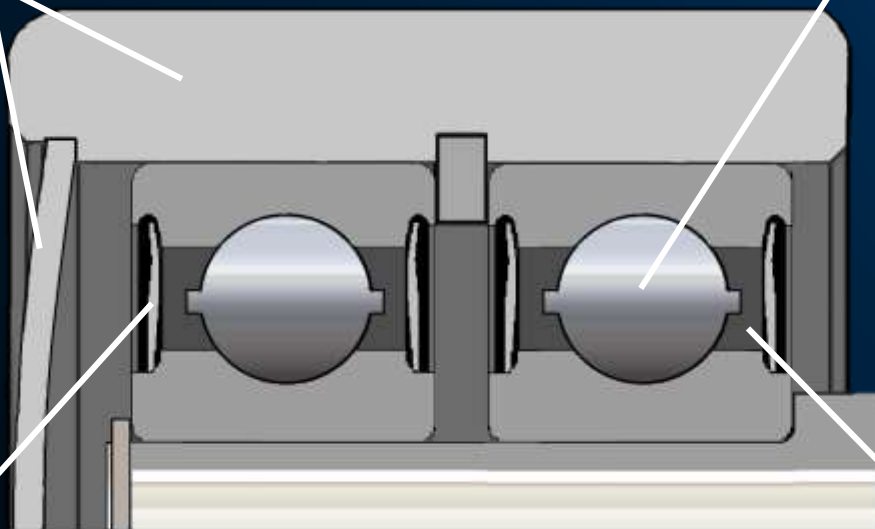
## The Ultimate in Corrosion Resistance

### 316 STAINLESS STEEL ROLLER, STUD & DUST COVER\*

Maximum corrosion resistance and added protection against direct spray and contamination.

### 440 STAINLESS STEEL PRECISION DEEP GROOVE BALL BEARINGS\*

Optimum balance of corrosion resistance and dynamic load capacity.



### FLUOROCARBON LIP SEALS

Maximizes protection of the bearing elements from high heat, chemicals and external contamination.

### SYNTHETIC FOOD GRADE LUBRICANT

Food grade grease with resistance to chemicals and wash-out.

### WHY USE PCI 316 STAINLESS STEEL ROLLERS?

PCI® utilizes 316 Stainless Steel materials for the exposed surfaces of this series. Most stainless cam follower products utilize 400 series stainless steel for the same surfaces. 316 Stainless has nearly 40% greater resistance to pitting corrosion than 400 series grades.

If corrosion resistance is your goal, PCI 316 Stainless Steel Track Rollers & XR Rollers are your engineered stainless solution.



\*Features dependent on size and style of unit. See specifications for details.



**LOAD BEARING ROLLER ASSEMBLIES**  
 ∞ INFINITY ROLLER™ TECHNOLOGY  
**EXTREME DUTY SOLUTIONS**  
 Stainless Steel "PLUS" Track Rollers & XR Rollers

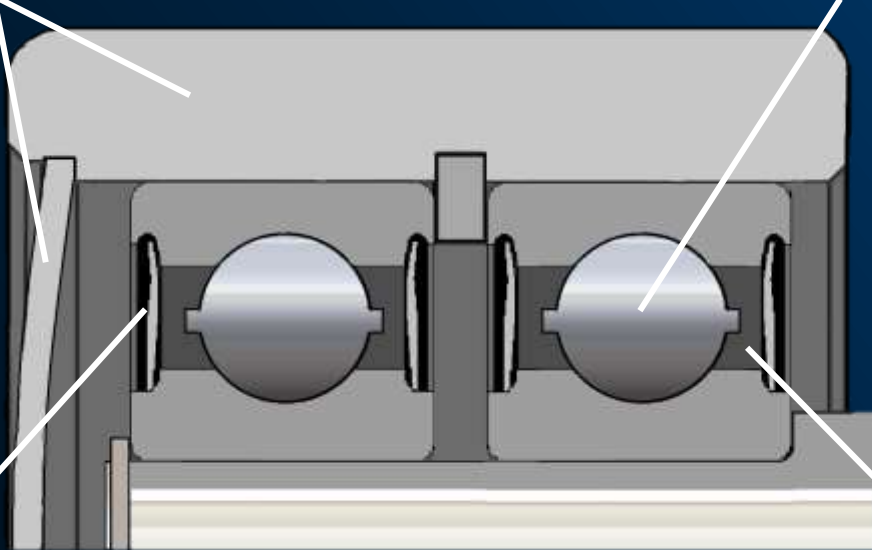
**For Strength and Corrosion Resistance**

**"PLUS" STAINLESS STEEL ROLLER, HIGH STRENGTH STUD & DUST COVER\***

High strength corrosion resistance and added protection against direct spray and contamination.

**440 STAINLESS STEEL PRECISION DEEP GROOVE BALL BEARINGS\***

Optimum balance of corrosion resistance and dynamic load capacity.



**FLUOROCARBON LIP SEALS**

Maximizes protection of the bearing elements from high heat, chemicals and external contamination.

**SYNTHETIC FOOD GRADE LUBRICANT**

Food grade grease with resistance to chemicals and wash-out.

**WHY USE PCI STAINLESS STEEL "PLUS" SERIES ROLLERS?**

PCI® Stainless Steel Plus series is manufactured with high strength stud materials, uses 440c stainless steel materials PLUS proprietary heat treatment roller bodies to withstand higher loads.

If corrosion resistance while maintaining superior load capacity is your goal, PCI Plus series Stainless Steel Track Rollers & XR Rollers are your engineered stainless steel solution.



\*Features dependent on size and style of unit. See specifications for details.



# LOAD BEARING ROLLER ASSEMBLIES ∞ INFINITY ROLLER™ TECHNOLOGY EXTREME DUTY SOLUTIONS

Stainless Steel Class X Track Rollers & XR Rollers

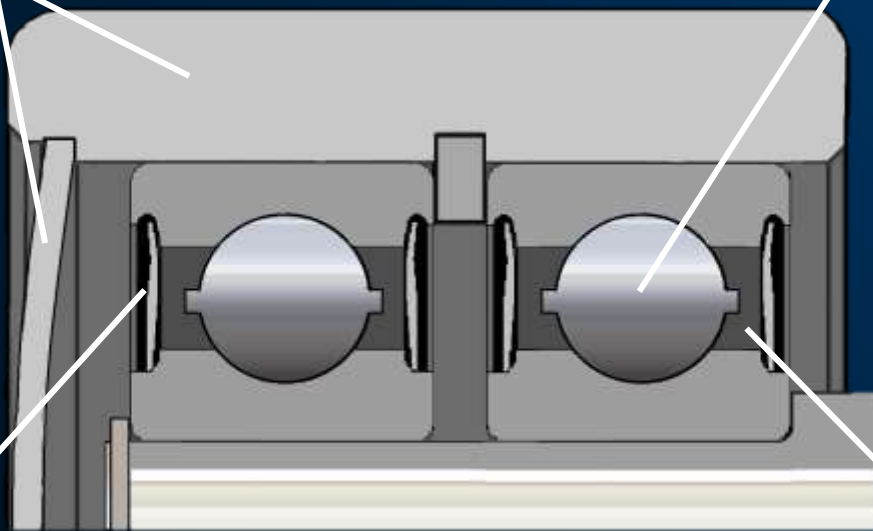
## Custom Built For Your Application

### CUSTOM DESIGNED ROLLER, STUD & DUST COVER\*

Corrosion resistance and protection against direct spray and contamination to meet your budget.

### PRECISION BEARINGS\* PER YOUR REQUEST

Optimum balance of corrosion resistance and dynamic load capacity.



### SEALS TO MEET YOUR NEEDS

Maximizes protection of the bearing elements from high heat, chemicals and external contamination.

### LUBRICANT PER SPECIFICATION

Grease provided with resistance to chemicals and wash-out per your requirements.

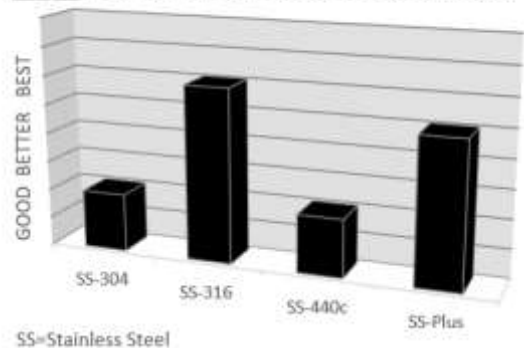
### WHY USE PCI STAINLESS STEEL CLASS X ROLLERS?

PCI's dedication to creating a solution for every application drives our Class X product offering. The materials, construction and features of a Class X Roller are custom designed every time to meet the individual needs of your unique application.

If corrosion resistance is your goal and PCI hasn't already designed your roller, ask for a Class X solution!



### STAINLESS STEEL CORROSION RESISTANCE



\*Features dependent on size and style of unit. See specifications for details.

# PTR-SS Series Track Roller Assembly

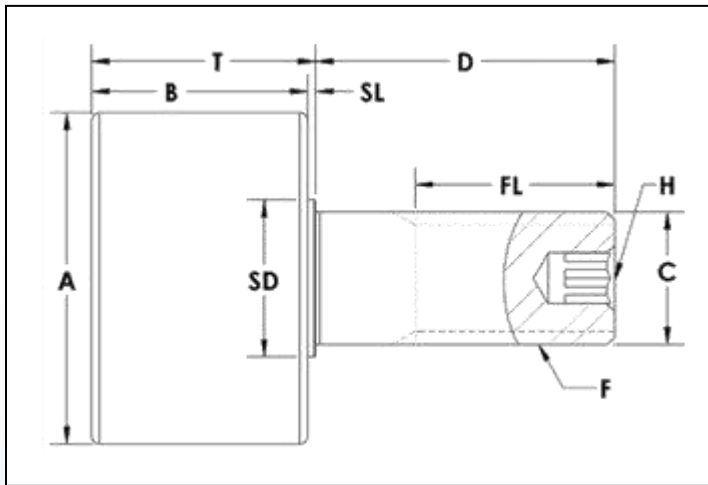
Plain/Cylindrical – Stud Type Concentric

316 Stainless Steel - Ball & Tapered Roller Bearings



(989)358-6148

www.pcimfg.com



FEATURING  
∞ INFINITY ROLLER™  
TECHNOLOGY

Stud Type Track Roller Part Number	A	B	C	D	F	FL	H	SD	SL	T
	Roller Dia. +.000 -.001	Roller Width	Stud Dia. +.000 -.001	Stud Length	Thread Size	Thread Length	Hex Size	Shoulder Dia.	Shoulder Length	Roller Width + Shoulder Length
PTR-1.00-SS	1.000	0.75	0.437	1.00	7/16 - 20	0.50	3/16	0.5	0.03	0.78
PTR-1.125-SS	1.125	0.75	0.437	1.00	7/16 - 20	0.50	3/16	0.5	0.03	0.78
PTR-1.25-SS	1.250	0.81	0.500	1.25	1/2 - 20	0.63	3/16	0.6	0.03	0.84
PTR-1.375-SS	1.375	0.81	0.500	1.25	1/2 - 20	0.63	3/16	0.6	0.03	0.84
PTR-1.50-SS	1.500	1.13	0.625	1.50	5/8 - 18	0.75	5/16	0.8	0.06	1.19
PTR-1.75-SS	1.750	1.13	0.750	1.75	3/4 - 16	0.88	5/16	0.9	0.06	1.19
PTR-2.00-SS	2.000	1.63	0.875	2.00	7/8 - 14	1.13	5/16	1.0	0.06	1.69
PTR-2.25-SS	2.250	1.63	0.875	2.00	7/8 - 14	1.13	5/16	1.0	0.06	1.69
PTR-2.50-SS	2.500	1.63	1.000	2.25	1 - 14	1.50	3/8	1.2	0.06	1.69
PTR-2.50E-SS	2.500	1.75	1.000	2.25	1 - 14	1.50	3/8	1.3	0.06	1.81
PTR-2.75-SS	2.750	1.63	1.000	2.25	1 - 14	1.50	3/8	1.2	0.06	1.69
PTR-2.75E-SS	2.750	1.75	1.000	2.25	1 - 14	1.50	3/8	1.3	0.06	1.81
PTR-3.00A-SS	3.000	1.94	1.250	2.50	1 1/4 - 12	1.75	1/2	1.5	0.06	2.00
PTR-3.00-SS	3.000	1.94	1.250	2.50	1 1/4 - 12	1.75	1/2	1.8	0.06	2.00
PTR-3.25A-SS	3.250	1.94	1.250	2.50	1 1/4 - 12	1.75	1/2	1.5	0.06	2.00
PTR-3.25-SS	3.250	1.94	1.250	2.50	1 1/4 - 12	1.75	1/2	1.8	0.06	2.00
PTR-3.50A-SS	3.500	1.94	1.250	2.75	1 1/4 - 12	1.75	1/2	1.5	0.06	2.00
PTR-3.50-SS	3.500	1.94	1.250	2.75	1 1/4 - 12	1.75	1/2	1.8	0.06	2.00
PTR-4.00A-SS	4.000	1.94	1.250	2.75	1 1/4 - 12	1.75	1/2	1.5	0.06	2.00
PTR-4.00-SS	4.000	1.94	1.250	2.75	1 1/4 - 12	1.75	1/2	1.8	0.06	2.00
PTR-5.00-SS	5.000	2.94	2.000	4.50	2 - 12	2.50	5/8	3.0	0.06	3.00
PTR-6.00-SS	6.000	2.94	2.500	5.50	2 1/2 - 12	3.25	5/8	3.5	0.06	3.00



# PTR-SS Series Track Roller Assembly

Plain/Cylindrical – Stud Type Concentric

316 Stainless Steel - Ball & Tapered Roller Bearings



(989)358-6148

www.pcimfg.com



## ADDITIONAL NOTES

\*For lubricated threads, use half the maximum clamping torque value shown.

DGBB-SS: Deep Groove Ball Bearings – 440C Stainless Steel  
TRB: Tapered Roller Bearings – Alloy Steel

FEATURING ∞ INFINITY ROLLER™ TECHNOLOGY

Jam Nut & Lock Washer sets are available at an additional cost.

For regreasable provisions, add a “-R” to the end of the part number. (See “-R” page for specifications)

Specifications subject to change without notice.

Ask about the Stainless Steel “PLUS” Solution -SSP.

Stud Type Track Roller Part Number	Basic Radial Dynamic Load Rating (lbs) C	Basic Radial Static Load Rating (lbs) Co	Thrust Dynamic Load Rating (lbs)	Thrust Static Load Rating (lbs)	Stud Capacity (lbs)	Retaining Ring Capacity (lbs)	Max. Clamping Torque (in-lbs)*	Seal Type	Bearing Type	Approx. Roller Weight (lbs)
PTR-1.00-SS	786	467	282	58	190	390	50	Fluorocarbon Lip	DGBB-SS	0.17
PTR-1.125-SS	786	467	282	58	190	390	50	Fluorocarbon Lip	DGBB-SS	0.22
PTR-1.25-SS	852	605	317	76	340	470	50	Fluorocarbon Lip	DGBB-SS	0.30
PTR-1.375-SS	852	605	317	76	340	470	50	Fluorocarbon Lip	DGBB-SS	0.36
PTR-1.50-SS	1,688	1,321	809	330	610	550	180	Fluorocarbon Lip	DGBB-SS	0.56
PTR-1.75-SS	1,688	1,321	809	330	610	550	250	Fluorocarbon Lip	DGBB-SS	0.86
PTR-2.00-SS	2,611	2,064	1,257	516	1,220	900	350	Fluorocarbon Lip	DGBB-SS	1.39
PTR-2.25-SS	2,611	2,064	1,257	516	1,610	900	350	Fluorocarbon Lip	DGBB-SS	1.86
PTR-2.50-SS	3,828	3,398	1,936	849	2,360	1,340	350	Fluorocarbon Lip	DGBB-SS	2.34
PTR-2.50E-SS	10,880	7,630	4,010	4,570	2,240	-	350	Rubber Dual Lip	TRB	2.48
PTR-2.75-SS	3,828	3,398	1,936	849	3,060	1,340	350	Fluorocarbon Lip	DGBB-SS	2.82
PTR-2.75E-SS	10,880	7,630	4,010	4,570	2,850	-	350	Rubber Dual Lip	TRB	3.00
PTR-3.00A-SS	7,102	5,081	3,287	1,270	5,050	1,950	1,500	Fluorocarbon Lip	DGBB-SS	3.99
PTR-3.00-SS	14,300	20,000	5,790	12,000	5,050	-	650	Rubber Dual Lip	TRB	4.15
PTR-3.25A-SS	7,102	5,081	3,287	1,270	5,050	1,950	1,500	Fluorocarbon Lip	DGBB-SS	4.65
PTR-3.25-SS	14,300	20,000	5,790	12,000	5,050	-	650	Rubber Dual Lip	TRB	4.84
PTR-3.50A-SS	7,102	5,081	3,287	1,270	5,050	1,950	1,500	Fluorocarbon Lip	DGBB-SS	5.48
PTR-3.50-SS	14,300	20,000	5,790	12,000	5,050	-	650	Rubber Dual Lip	TRB	5.67
PTR-4.00A-SS	7,102	5,081	3,287	1,270	5,050	1,950	1,500	Fluorocarbon Lip	DGBB-SS	7.13
PTR-4.00-SS	14,300	20,000	5,790	12,000	5,050	-	650	Rubber Dual Lip	TRB	7.33
PTR-5.00-SS	35,870	58,400	13,310	32,100	13,780	-	5,000	Rubber Dual Lip	TRB	18.81
PTR-6.00-SS	35,830	56,200	14,150	32,900	26,910	-	5,000	Rubber Dual Lip	TRB	29.03

# PXR-SS Series Roller Assembly

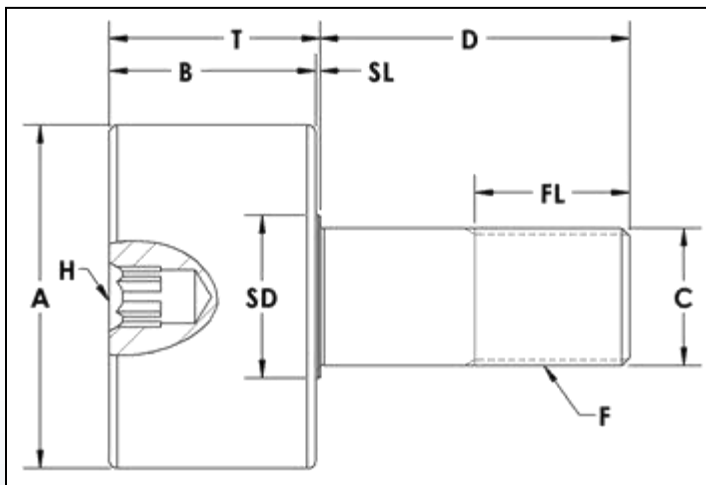
Plain/Cylindrical – Stud Type Concentric

316 Stainless Steel - Ball & Tapered Roller Bearings



(989)358-6148

www.pcimfg.com



FEATURING  
∞ INFINITY ROLLER™  
TECHNOLOGY

Stud Type XR Roller Part Number	A Roller Dia. +0.000 -0.001	B Roller Width	C Stud Dia. +0.000 -0.001	D Stud Length	F Thread Size	FL Thread Length	H Hex Size	SD Shoulder Dia.	SL Shoulder Length	T Roller Width + Shoulder Length
PXR-1.50-SS	1.500	0.88	0.625	1.50	5/8 - 18	0.75	5/16	0.8	0.03	0.91
PXR-1.75-SS	1.750	1.00	0.750	1.75	3/4 - 16	0.88	5/16	0.9	0.03	1.03
PXR-2.00-SS	2.000	1.25	0.875	2.00	7/8 - 14	1.00	5/16	1.0	0.03	1.28
PXR-2.25-SS	2.250	1.25	0.875	2.00	7/8 - 14	1.00	5/16	1.0	0.03	1.28
PXR-2.50-SS	2.500	1.50	1.000	2.25	1 - 14	1.13	3/8	1.2	0.03	1.53
PXR-2.50E-SS	2.500	1.50	1.000	2.25	1 - 14	1.13	3/8	1.2	0.03	1.53
PXR-2.75-SS	2.750	1.50	1.000	2.25	1 - 14	1.13	3/8	1.2	0.03	1.53
PXR-2.75E-SS	2.750	1.50	1.000	2.25	1 - 14	1.13	3/8	1.2	0.03	1.53
PXR-3.00A-SS	3.000	1.75	1.250	2.50	1 1/4 - 12	1.25	1/2	1.6	0.03	1.78
PXR-3.00-SS	3.000	1.75	1.250	2.50	1 1/4 - 12	1.25	1/2	1.8	0.03	1.78
PXR-3.25A-SS	3.250	1.75	1.250	2.50	1 1/4 - 12	1.25	1/2	1.6	0.03	1.78
PXR-3.25-SS	3.250	1.75	1.250	2.50	1 1/4 - 12	1.25	1/2	1.8	0.03	1.78
PXR-3.50A-SS	3.500	2.00	1.375	2.75	1 3/8 - 12	1.38	1/2	1.8	0.03	2.03
PXR-3.50-SS	3.500	2.00	1.375	2.75	1 3/8 - 12	1.38	1/2	2.0	0.03	2.03
PXR-4.00A-SS	4.000	2.25	1.500	3.50	1 1/2 - 12	1.50	1/2	1.8	0.03	2.28
PXR-4.00-SS	4.000	2.25	1.500	3.50	1 1/2 - 12	1.50	1/2	2.0	0.03	2.28
PXR-5.00-SS	5.000	2.75	2.000	5.06	2 - 12	2.56	5/8	2.9	0.06	2.81
PXR-6.00-SS	6.000	3.25	2.500	6.00	2 1/2 - 12	3.00	5/8	3.3	0.06	3.31

# PXR-SS Series Roller Assembly

Plain/Cylindrical – Stud Type Concentric

316 Stainless Steel - Ball & Tapered Roller Bearings



(989)358-6148  
www.pcimfg.com



## ADDITIONAL NOTES

\*For lubricated threads, use half the maximum clamping torque value shown.

DGBB-SS: Deep Groove Ball Bearings – 440C Stainless Steel  
TRB: Tapered Roller Bearings – Alloy Steel

FEATURING ∞ INFINITY ROLLER™ TECHNOLOGY

Jam Nut & Lock Washer sets are available at an additional cost.

For regreasable provisions, add a “-R” to the end of the part number. (See “-R” page for specifications)

Specifications subject to change without notice.

Ask about the Stainless Steel “PLUS” Solution -SSP.

Stud Type XR Roller Part Number	Basic Radial Dynamic Load Rating (lbs) C	Basic Radial Static Load Rating (lbs) Co	Thrust Dynamic Load Rating (lbs)	Thrust Static Load Rating (lbs)	Stud Capacity (lbs)	Retaining Ring Capacity (lbs)	Max. Clamping Torque (in-lbs)*	Seal Type	Bearing Type	Approx. Roller Weight (lbs)
PXR-1.50-SS	1,276	1,114	641	278	1,390	910	180	Fluorocarbon Lip	DGBB-SS	0.45
PXR-1.75-SS	1,276	1,114	641	278	2,100	910	250	Fluorocarbon Lip	DGBB-SS	0.75
PXR-2.00-SS	2,565	2,168	1,270	542	1,940	1,340	350	Fluorocarbon Lip	DGBB-SS	1.22
PXR-2.25-SS	2,565	2,168	1,270	542	2,560	1,340	350	Fluorocarbon Lip	DGBB-SS	1.50
PXR-2.50-SS	3,828	3,398	1,936	849	2,550	1,340	650	Fluorocarbon Lip	DGBB-SS	2.17
PXR-2.50E-SS	10,880	7,630	4,010	4,570	2,550	-	350	Rubber Dual Lip	TRB	2.24
PXR-2.75-SS	3,828	3,398	1,936	849	3,380	1,340	650	Fluorocarbon Lip	DGBB-SS	2.60
PXR-2.75E-SS	10,880	7,630	4,010	4,570	3,380	-	350	Rubber Dual Lip	TRB	2.67
PXR-3.00A-SS	5,827	4,631	2,812	1,158	5,670	1,950	650	Fluorocarbon Lip	DGBB-SS	3.56
PXR-3.00-SS	14,300	20,000	5,790	12,000	5,670	-	1,200	Rubber Dual Lip	TRB	3.81
PXR-3.25A-SS	5,827	4,631	2,812	1,158	5,670	1,950	650	Fluorocarbon Lip	DGBB-SS	4.31
PXR-3.25-SS	14,300	20,000	5,790	12,000	5,670	-	1,200	Rubber Dual Lip	TRB	4.41
PXR-3.50A-SS	6,118	5,171	3,030	1,293	6,620	3,000	1,500	Fluorocarbon Lip	DGBB-SS	5.47
PXR-3.50-SS	17,600	27,200	5,750	13,100	6,620	-	1,500	Rubber Dual Lip	TRB	5.93
PXR-4.00A-SS	6,118	5,171	3,030	1,293	7,650	3,000	2,250	Fluorocarbon Lip	DGBB-SS	8.25
PXR-4.00-SS	17,600	27,200	5,750	13,100	7,650	-	2,250	Rubber Dual Lip	TRB	8.90
PXR-5.00-SS	35,870	58,400	13,310	32,100	14,710	-	4,200	Rubber Dual Lip	TRB	18.12
PXR-6.00-SS	35,830	56,200	14,150	32,900	24,390	-	5,000	Rubber Dual Lip	TRB	30.87

# PTRE-SS Series Track Roller Assembly

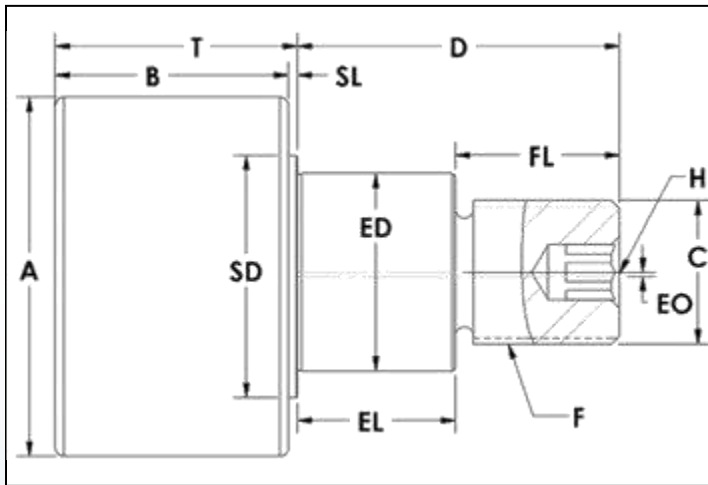
Plain/Cylindrical – Stud Type Eccentric

316 Stainless Steel - Ball & Tapered Roller Bearings



(989)358-6148

www.pcimfg.com



FEATURING  
∞ INFINITY ROLLER™  
TECHNOLOGY

Stud Type Track Roller Part Number	A	B	C	D	ED	EL	EO	F	FL	H	SD	SL	T
	Roller Dia. +.000 -.001	Roller Width	Stud Dia. +.000 -.001	Stud Length	Ecc Dia +.000 -.002	Ecc Length	Ecc Offset	Thread Size	Thread Length	Hex Size	Shoulder Dia.	Shoulder Length	Roller Width + Shoulder Length
PTRE-1.00-SS	1.000	0.75	0.437	1.00	0.625	0.48	0.03	7/16 - 20	0.52	3/16	0.7	0.03	0.78
PTRE-1.125-SS	1.125	0.75	0.437	1.00	0.625	0.48	0.03	7/16 - 20	0.52	3/16	0.7	0.03	0.78
PTRE-1.25-SS	1.250	0.81	0.500	1.25	0.687	0.61	0.03	1/2 - 20	0.65	3/16	0.8	0.03	0.84
PTRE-1.375-SS	1.375	0.81	0.500	1.25	0.687	0.61	0.03	1/2 - 20	0.65	3/16	0.8	0.03	0.84
PTRE-1.50-SS	1.500	1.13	0.625	1.50	0.875	0.73	0.03	5/8 - 18	0.77	5/16	1.1	0.06	1.19
PTRE-1.75-SS	1.750	1.13	0.750	1.75	1.000	0.86	0.03	3/4 - 16	0.90	5/16	1.3	0.06	1.19
PTRE-2.00-SS	2.000	1.63	0.875	2.00	1.187	0.98	0.03	7/8 - 14	1.02	5/16	1.5	0.06	1.69
PTRE-2.25-SS	2.250	1.63	0.875	2.00	1.187	0.98	0.03	7/8 - 14	1.02	5/16	1.5	0.06	1.69
PTRE-2.50-SS	2.500	1.63	1.000	2.25	1.375	1.11	0.03	1 - 14	1.15	3/8	1.7	0.06	1.69
PTRE-2.50E-SS	2.500	1.75	1.000	2.25	1.375	1.11	0.03	1 - 14	1.15	3/8	1.7	0.06	1.81
PTRE-2.75-SS	2.750	1.63	1.000	2.25	1.375	1.11	0.03	1 - 14	1.15	3/8	1.7	0.06	1.69
PTRE-2.75E-SS	2.750	1.75	1.000	2.25	1.375	1.11	0.03	1 - 14	1.15	3/8	1.7	0.06	1.81
PTRE-3.00A-SS	3.000	1.94	1.250	2.50	1.750	1.23	0.06	1 1/4 - 12	1.27	1/2	2.2	0.06	2.00
PTRE-3.00-SS	3.000	1.94	1.250	2.50	1.750	1.23	0.06	1 1/4 - 12	1.27	1/2	2.2	0.06	2.00
PTRE-3.25A-SS	3.250	1.94	1.250	2.50	1.750	1.23	0.06	1 1/4 - 12	1.27	1/2	2.2	0.06	2.00
PTRE-3.25-SS	3.250	1.94	1.250	2.50	1.750	1.23	0.06	1 1/4 - 12	1.27	1/2	2.2	0.06	2.00
PTRE-3.50A-SS	3.500	1.94	1.250	2.75	1.812	1.36	0.06	1 1/4 - 12	1.40	1/2	2.2	0.06	2.00
PTRE-3.50-SS	3.500	1.94	1.250	2.75	1.812	1.36	0.06	1 1/4 - 12	1.40	1/2	2.2	0.06	2.00
PTRE-4.00A-SS	4.000	1.94	1.250	2.75	1.812	1.36	0.06	1 1/4 - 12	1.40	1/2	2.2	0.06	2.00
PTRE-4.00-SS	4.000	1.94	1.250	2.75	1.812	1.36	0.06	1 1/4 - 12	1.40	1/2	2.2	0.06	2.00
PTRE-5.00-SS	5.000	2.94	2.000	4.50	2.625	2.13	0.06	2 - 12	2.38	5/8	3.3	0.06	3.00
PTRE-6.00-SS	6.000	2.94	2.500	5.50	3.125	2.88	0.06	2 1/2 - 12	2.63	5/8	3.6	0.06	3.00

# PTRE-SS Series Track Roller Assembly

Plain/Cylindrical – Stud Type Eccentric

316 Stainless Steel - Ball & Tapered Roller Bearings



(989)358-6148  
www.pcimfg.com



## ADDITIONAL NOTES

\*For lubricated threads, use half the maximum clamping torque value shown.

DGBB-SS: Deep Groove Ball Bearings – 440C Stainless Steel  
TRB: Tapered Roller Bearings – Alloy Steel

FEATURING ∞ INFINITY ROLLER™ TECHNOLOGY

Jam Nut & Lock Washer sets are available at an additional cost.

For regreasable provisions, add a “-R” to the end of the part number. (See “-R” page for specifications)

Specifications subject to change without notice.

Ask about the Stainless Steel “PLUS” Solution -SSP.

Stud Type Track Roller Part Number	Basic Radial Dynamic Load Rating (lbs) C	Basic Radial Static Load Rating (lbs) Co	Thrust Dynamic Load Rating (lbs)	Thrust Static Load Rating (lbs)	Stud Capacity (lbs)	Retaining Ring Capacity (lbs)	Max. Clamping Torque (in-lbs)*	Seal Type	Bearing Type	Approx. Roller Weight (lbs)
PTRE-1.00-SS	786	467	282	58	190	390	95	Fluorocarbon Lip	DGBB-SS	0.20
PTRE-1.125-SS	786	467	282	58	190	390	95	Fluorocarbon Lip	DGBB-SS	0.24
PTRE-1.25-SS	852	605	317	76	340	470	95	Fluorocarbon Lip	DGBB-SS	0.32
PTRE-1.375-SS	852	605	317	76	340	470	95	Fluorocarbon Lip	DGBB-SS	0.37
PTRE-1.50-SS	1,688	1,321	809	330	610	550	250	Fluorocarbon Lip	DGBB-SS	0.63
PTRE-1.75-SS	1,688	1,321	809	330	610	550	350	Fluorocarbon Lip	DGBB-SS	0.96
PTRE-2.00-SS	2,611	2,064	1,257	516	1,220	900	650	Fluorocarbon Lip	DGBB-SS	1.68
PTRE-2.25-SS	2,611	2,064	1,257	516	1,610	900	650	Fluorocarbon Lip	DGBB-SS	2.07
PTRE-2.50-SS	3,828	3,398	1,936	849	2,360	1,340	650	Fluorocarbon Lip	DGBB-SS	2.48
PTRE-2.50E-SS	10,880	7,630	4,010	4,570	2,240	-	350	Rubber Dual Lip	TRB	2.67
PTRE-2.75-SS	3,828	3,398	1,936	849	3,060	1,340	650	Fluorocarbon Lip	DGBB-SS	3.08
PTRE-2.75E-SS	10,880	7,630	4,010	4,570	2,850	-	350	Rubber Dual Lip	TRB	3.17
PTRE-3.00A-SS	7,102	5,081	3,287	1,270	5,050	1,950	1,500	Fluorocarbon Lip	DGBB-SS	4.53
PTRE-3.00-SS	14,300	20,000	5,790	12,000	5,050	-	650	Rubber Dual Lip	TRB	4.62
PTRE-3.25A-SS	7,102	5,081	3,287	1,270	5,050	1,950	1,500	Fluorocarbon Lip	DGBB-SS	5.19
PTRE-3.25-SS	14,300	20,000	5,790	12,000	5,050	-	650	Rubber Dual Lip	TRB	5.31
PTRE-3.50A-SS	7,102	5,081	3,287	1,270	5,050	1,950	1,500	Fluorocarbon Lip	DGBB-SS	6.10
PTRE-3.50-SS	14,300	20,000	5,790	12,000	5,050	-	650	Rubber Dual Lip	TRB	6.27
PTRE-4.00A-SS	7,102	5,081	3,287	1,270	5,050	1,950	1,500	Fluorocarbon Lip	DGBB-SS	7.69
PTRE-4.00-SS	14,300	20,000	5,790	12,000	5,050	-	650	Rubber Dual Lip	TRB	7.93
PTRE-5.00-SS	35,870	58,400	13,310	32,100	13,780	-	5,000	Rubber Dual Lip	TRB	20.20
PTRE-6.00-SS	35,830	56,200	14,150	32,900	26,910	-	5,000	Rubber Dual Lip	TRB	31.06

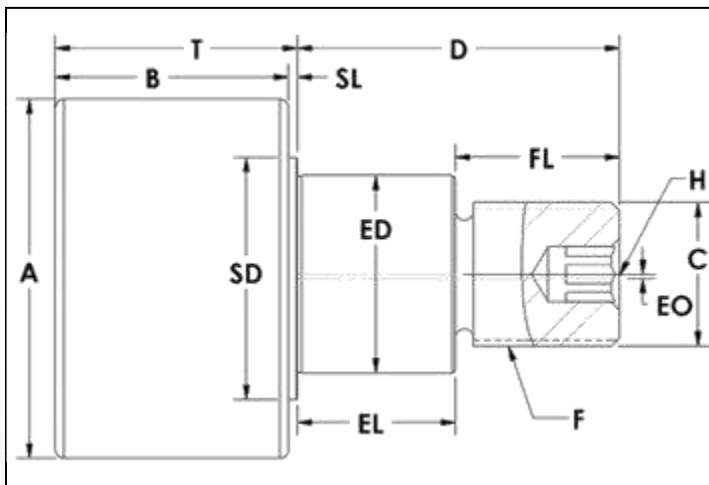
# PXRE-SS Series Roller Assembly

Plain/Cylindrical – Stud Type Eccentric

316 Stainless Steel - Ball & Tapered Roller Bearings



(989)358-6148  
www.pcimfg.com



FEATURING  
∞ INFINITY ROLLER™  
TECHNOLOGY

Stud Type XR Roller Part Number	A	B	C	D	ED	EL	EO	F	FL	H	SD	SL	T
	Roller Dia. +0.000 -0.001	Roller Width	Stud Dia.	Stud Length	Ecc Dia +0.000 -0.002	Ecc Length	Ecc Offset	Thread Size	Thread Length	Hex Size	Shoulder Dia.	Shoulder Length	Roller Width + Shoulder Length
PXRE-1.50-SS	1.500	0.88	0.625	1.50	0.875	0.75	0.03	5/8 - 18	0.75	5/16	1.0	0.03	0.91
PXRE-1.75-SS	1.750	1.00	0.750	1.75	1.000	0.88	0.03	3/4 - 16	0.90	5/16	1.2	0.03	1.03
PXRE-2.00-SS	2.000	1.25	0.875	2.00	1.187	1.00	0.03	7/8 - 14	1.00	5/16	1.5	0.03	1.28
PXRE-2.25-SS	2.250	1.25	0.875	2.00	1.187	1.00	0.03	7/8 - 14	1.00	5/16	1.5	0.03	1.28
PXRE-2.50-SS	2.500	1.50	1.000	2.25	1.375	1.12	0.03	1 - 14	1.13	3/8	1.9	0.03	1.53
PXRE-2.50E-SS	2.500	1.50	1.000	2.25	1.375	1.12	0.03	1 - 14	1.13	3/8	1.9	0.03	1.53
PXRE-2.75-SS	2.750	1.50	1.000	2.25	1.375	1.12	0.03	1 - 14	1.13	3/8	1.9	0.03	1.53
PXRE-2.75E-SS	2.750	1.50	1.000	2.25	1.375	1.12	0.03	1 - 14	1.13	3/8	1.9	0.03	1.53
PXRE-3.00A-SS	3.000	1.75	1.250	2.50	1.750	1.23	0.06	1 1/4 - 12	1.27	1/2	2.2	0.03	1.78
PXRE-3.00-SS	3.000	1.75	1.250	2.50	1.750	1.23	0.06	1 1/4 - 12	1.27	1/2	2.2	0.03	1.78
PXRE-3.25A-SS	3.250	1.75	1.250	2.50	1.750	1.23	0.06	1 1/4 - 12	1.27	1/2	2.2	0.03	1.78
PXRE-3.25-SS	3.250	1.75	1.250	2.50	1.750	1.23	0.06	1 1/4 - 12	1.27	1/2	2.2	0.03	1.78
PXRE-3.50A-SS	3.500	2.00	1.375	2.75	1.812	1.37	0.06	1 3/8 - 12	1.39	1/2	2.5	0.03	2.03
PXRE-3.50-SS	3.500	2.00	1.375	2.75	1.812	1.37	0.06	1 3/8 - 12	1.39	1/2	2.5	0.03	2.03
PXRE-4.00A-SS	4.000	2.25	1.500	3.50	2.000	2.00	0.06	1 1/2 - 12	1.50	1/2	2.5	0.03	2.28
PXRE-4.00-SS	4.000	2.25	1.500	3.50	2.000	2.00	0.06	1 1/2 - 12	1.50	1/2	2.5	0.03	2.28

# PXRE-SS Series Roller Assembly

Plain/Cylindrical – Stud Type Eccentric

316 Stainless Steel - Ball & Tapered Roller Bearings



(989)358-6148  
www.pcimfg.com



## ADDITIONAL NOTES

\*For lubricated threads, use half the maximum clamping torque value shown.

DGBB-SS: Deep Groove Ball Bearings – 440C Stainless Steel  
TRB: Tapered Roller Bearings – Alloy Steel

FEATURING ∞ INFINITY ROLLER™ TECHNOLOGY

Jam Nut & Lock Washer sets are available at an additional cost.

For regreasable provisions, add a “-R” to the end of the part number. (See “-R” page for specifications)

Specifications subject to change without notice.

Ask about the Stainless Steel “PLUS” Solution -SSP.

Stud Type XR Roller Part Number	Basic Radial Dynamic Load Rating (lbs) C	Basic Radial Static Load Rating (lbs) Co	Thrust Dynamic Load Rating (lbs)	Thrust Static Load Rating (lbs)	Stud Capacity (lbs)	Retaining Ring Capacity (lbs)	Max. Clamping Torque (in-lbs)*	Seal Type	Bearing Type	Approx. Roller Weight (lbs)
PXRE-1.50-SS	1,276	1,114	641	278	1,390	910	180	Fluorocarbon Lip	DGBB-SS	0.53
PXRE-1.75-SS	1,276	1,114	641	278	2,100	910	250	Fluorocarbon Lip	DGBB-SS	0.84
PXRE-2.00-SS	2,565	2,168	1,270	542	1,940	1,340	350	Fluorocarbon Lip	DGBB-SS	1.46
PXRE-2.25-SS	2,565	2,168	1,270	542	2,560	1,340	350	Fluorocarbon Lip	DGBB-SS	1.78
PXRE-2.50-SS	3,828	3,398	1,936	849	2,550	1,340	650	Fluorocarbon Lip	DGBB-SS	2.43
PXRE-2.50E-SS	10,880	7,630	4,010	4,570	2,550	-	350	Rubber Dual Lip	TRB	2.50
PXRE-2.75-SS	3,828	3,398	1,936	849	3,380	1,340	650	Fluorocarbon Lip	DGBB-SS	2.89
PXRE-2.75E-SS	10,880	7,630	4,010	4,570	3,380	-	350	Rubber Dual Lip	TRB	2.95
PXRE-3.00A-SS	5,827	4,631	2,812	1,158	5,670	1,950	650	Fluorocarbon Lip	DGBB-SS	4.00
PXRE-3.00-SS	14,300	20,000	5,790	12,000	5,670	-	1,200	Rubber Dual Lip	TRB	4.28
PXRE-3.25A-SS	5,827	4,631	2,812	1,158	5,670	1,950	650	Fluorocarbon Lip	DGBB-SS	4.36
PXRE-3.25-SS	14,300	20,000	5,790	12,000	5,670	-	1,200	Rubber Dual Lip	TRB	4.47
PXRE-3.50A-SS	6,118	5,171	3,030	1,293	6,620	3,000	1,500	Fluorocarbon Lip	DGBB-SS	6.00
PXRE-3.50-SS	17,600	27,200	5,750	13,100	6,620	-	1,500	Rubber Dual Lip	TRB	6.44
PXRE-4.00A-SS	6,118	5,171	3,030	1,293	7,650	3,000	2,250	Fluorocarbon Lip	DGBB-SS	9.11
PXRE-4.00-SS	17,600	27,200	5,750	13,100	7,650	-	2,250	Rubber Dual Lip	TRB	9.64

# PTRY-SS Series Track Roller Assembly

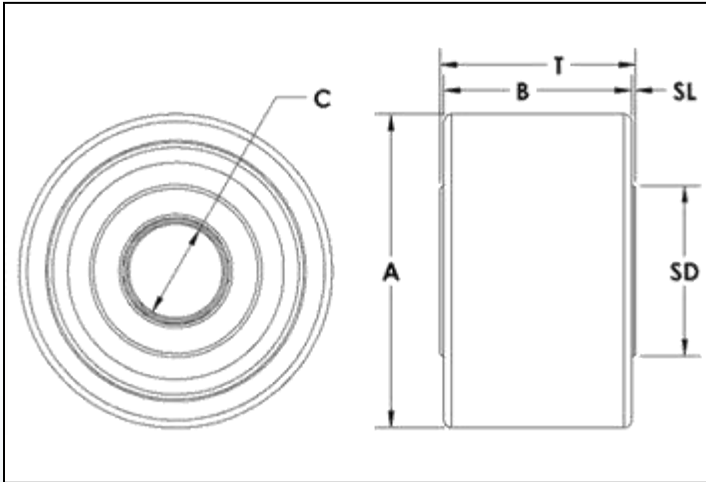
Plain/Cylindrical – Yoke Type

316 Stainless Steel - Ball & Tapered Roller Bearings



(989)358-6148

www.pcimfg.com



FEATURING  
∞ INFINITY ROLLER™  
TECHNOLOGY

Yoke Type Track Roller Part Number	A Roller Dia. +.000 -.001	B Roller Width	C Bore Dia. +.0007 -.0000	SD Shoulder Dia.	SL Shoulder Length	T Inner Race Width +.005 -.010
PTRY-1.50-SS	1.500	0.88	0.4380	0.9	0.03	0.937
PTRY-1.75-SS	1.750	1.00	0.5005	0.9	0.03	1.063
PTRY-2.00-SS	2.000	1.25	0.6255	1.1	0.03	1.313
PTRY-2.25-SS	2.250	1.25	0.6255	1.1	0.03	1.313
PTRY-2.50-SS	2.500	1.50	0.7505	1.2	0.03	1.563
PTRY-2.50E-SS	2.500	1.50	0.7505	1.3	0.03	1.563
PTRY-2.75-SS	2.750	1.50	0.7505	1.2	0.03	1.563
PTRY-2.75E-SS	2.750	1.50	0.7505	1.3	0.03	1.563
PTRY-3.00A-SS	3.000	1.75	1.0005	1.8	0.03	1.813
PTRY-3.00-SS	3.000	1.75	1.0005	1.8	0.03	1.813
PTRY-3.25A-SS	3.250	1.75	1.0005	1.8	0.03	1.813
PTRY-3.25-SS	3.250	1.75	1.0005	1.8	0.03	1.813
PTRY-3.50A-SS	3.500	2.00	1.1255	2.0	0.03	2.063
PTRY-3.50-SS	3.500	2.00	1.1255	2.0	0.03	2.063
PTRY-4.00A-SS	4.000	2.25	1.2505	2.0	0.03	2.313
PTRY-4.00-SS	4.000	2.25	1.2505	2.3	0.03	2.313
PTRY-5.00-SS	5.000	2.75	1.7508	3.2	0.06	2.875
PTRY-6.00-SS	6.000	3.25	2.2508	3.5	0.06	3.375

Optional PCI Yoke Shaft	Optional PCI Eccentric Yoke Shaft
YSH-.437-SS	YSHE-.437-SS
YSH-.500-SS	YSHE-.500-SS
YSH-.625-SS	YSHE-.625-SS
YSH-.625-SS	YSHE-.625-SS
YSH-.750-SS	YSHE-.750-SS
YSH-.750-SS	YSHE-.750-SS
YSH-.750-SS	YSHE-.750-SS
YSH-.750-SS	YSHE-.750-SS
YSH-.750-SS	YSHE-.750-SS
YSH-1.000-SS	YSHE-1.000-SS
YSH-1.000-SS	YSHE-1.000-SS
YSH-1.000-SS	YSHE-1.000-SS
YSH-1.000-SS	YSHE-1.000-SS
YSH-1.000-SS	YSHE-1.000-SS
YSH-1.125-SS	YSHE-1.125-SS
YSH-1.125-SS	YSHE-1.125-SS
YSH-1.250-SS	YSHE-1.250-SS
YSH-1.250-SS	YSHE-1.250-SS
YSH-1.750-SS	YSHE-1.750-SS
YSH-2.250-SS	YSHE-2.250-SS



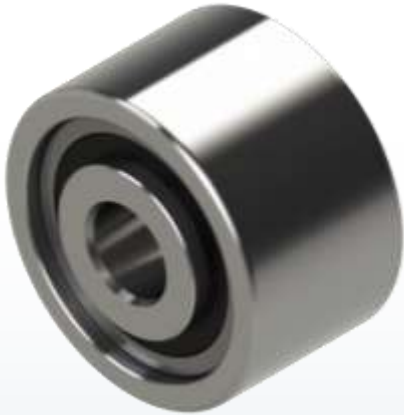
# PTRY-SS Series Track Roller Assembly

Plain/Cylindrical – Yoke Type

316 Stainless Steel - Ball & Tapered Roller Bearings



(989)358-6148  
www.pcimfg.com



## ADDITIONAL NOTES

DGBB-SS: Deep Groove Ball Bearings – 440C Stainless Steel  
TRB: Tapered Roller Bearings – Alloy Steel

FEATURING ∞ INFINITY ROLLER™ TECHNOLOGY

PCI Heavy Duty Yoke Shafts are available at an additional cost. See YSH page for details.

For regreaseable provisions, add a “-R” to the end of the part number. (See “-R” page for specifications)

Specifications subject to change without notice.

Ask about the Stainless Steel “PLUS” Solution -SSP.

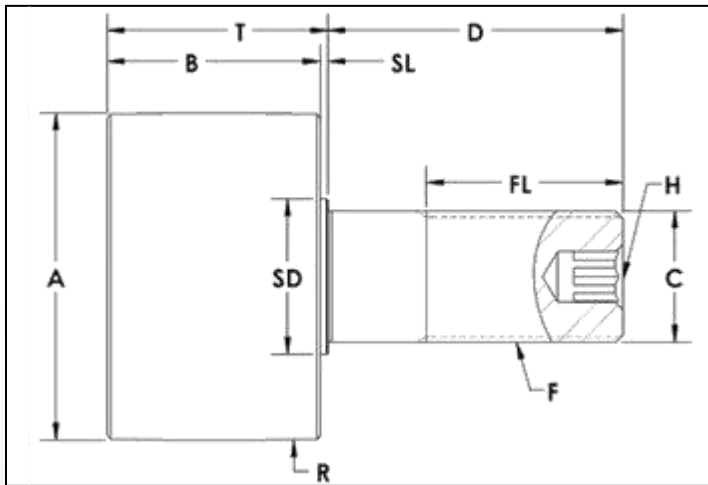
Yoke Type Track Roller Part Number	Basic Radial Dynamic Load Rating (lbs) C	Basic Radial Static Load Rating (lbs) Co	Thrust Dynamic Load Rating (lbs)	Thrust Static Load Rating (lbs)	Seal Type	Bearing Type	Approx. Roller Weight (lbs)
PTRY-1.50-SS	1,276	1,114	641	278	Fluorocarbon Lip	DGBB-SS	0.31
PTRY-1.75-SS	1,276	1,114	641	278	Fluorocarbon Lip	DGBB-SS	0.51
PTRY-2.00-SS	2,565	2,168	1,270	542	Fluorocarbon Lip	DGBB-SS	0.82
PTRY-2.25-SS	2,565	2,168	1,270	542	Fluorocarbon Lip	DGBB-SS	1.10
PTRY-2.50-SS	3,828	3,398	1,936	849	Fluorocarbon Lip	DGBB-SS	1.59
PTRY-2.50E-SS	10,880	7,630	4,010	4,570	Rubber Dual Lip	TRB	1.62
PTRY-2.75-SS	3,828	3,398	1,936	849	Fluorocarbon Lip	DGBB-SS	2.03
PTRY-2.75E-SS	10,880	7,630	4,010	4,570	Rubber Dual Lip	TRB	2.06
PTRY-3.00A-SS	5,827	4,631	2,812	1,158	Fluorocarbon Lip	DGBB-SS	2.47
PTRY-3.00-SS	14,300	20,000	5,790	12,000	Rubber Dual Lip	TRB	2.67
PTRY-3.25A-SS	5,827	4,631	2,812	1,158	Fluorocarbon Lip	DGBB-SS	3.09
PTRY-3.25-SS	14,300	20,000	5,790	12,000	Rubber Dual Lip	TRB	3.29
PTRY-3.50A-SS	6,118	5,171	3,030	1,293	Fluorocarbon Lip	DGBB-SS	4.00
PTRY-3.50-SS	17,600	27,200	5,750	13,100	Rubber Dual Lip	TRB	4.37
PTRY-4.00A-SS	6,118	5,171	3,030	1,293	Fluorocarbon Lip	DGBB-SS	6.36
PTRY-4.00-SS	17,600	27,200	5,750	13,100	Rubber Dual Lip	TRB	6.77
PTRY-5.00-SS	35,870	58,400	13,310	32,100	Rubber Dual Lip	TRB	12.55
PTRY-6.00-SS	35,830	56,200	14,150	32,900	Rubber Dual Lip	TRB	19.77

# CTR-SS Series Track Roller Assembly

Crowned/Spherical – Stud Type Concentric  
316 Stainless Steel - Ball & Tapered Roller Bearings



(989)358-6148  
www.pcimfg.com



FEATURING  
∞ INFINITY ROLLER™  
TECHNOLOGY

Stud Type Track Roller Part Number	A	B	C	D	F	FL	H	R	SD	SL	T
	Roller Dia. + .000 - .001	Roller Width	Stud Dia. + .000 - .001	Stud Length	Thread Size	Thread Length	Hex Size	Crown Radius	Shoulder Dia.	Shoulder Length	Roller Width + Shoulder Length
CTR-1.00-SS	1.000	0.75	0.437	1.00	7/16 - 20	0.50	3/16	12	0.5	0.03	0.78
CTR-1.125-SS	1.125	0.75	0.437	1.00	7/16 - 20	0.50	3/16	12	0.5	0.03	0.78
CTR-1.25-SS	1.250	0.81	0.500	1.25	1/2 - 20	0.63	3/16	14	0.6	0.03	0.84
CTR-1.375-SS	1.375	0.81	0.500	1.25	1/2 - 20	0.63	3/16	14	0.6	0.03	0.84
CTR-1.50-SS	1.500	1.13	0.625	1.50	5/8 - 18	0.75	5/16	20	0.8	0.06	1.19
CTR-1.75-SS	1.750	1.13	0.750	1.75	3/4 - 16	0.88	5/16	20	0.9	0.06	1.19
CTR-2.00-SS	2.000	1.63	0.875	2.00	7/8 - 14	1.13	5/16	24	1.0	0.06	1.69
CTR-2.25-SS	2.250	1.63	0.875	2.00	7/8 - 14	1.13	5/16	24	1.0	0.06	1.69
CTR-2.50-SS	2.500	1.63	1.000	2.25	1 - 14	1.50	3/8	30	1.2	0.06	1.69
CTR-2.50E-SS	2.500	1.75	1.000	2.25	1 - 14	1.50	3/8	30	1.3	0.06	1.81
CTR-2.75-SS	2.750	1.63	1.000	2.25	1 - 14	1.50	3/8	30	1.2	0.06	1.69
CTR-2.75E-SS	2.750	1.75	1.000	2.25	1 - 14	1.50	3/8	30	1.3	0.06	1.81
CTR-3.00A-SS	3.000	1.94	1.250	2.50	1 1/4 - 12	1.75	1/2	30	1.5	0.06	2.00
CTR-3.00-SS	3.000	1.94	1.250	2.50	1 1/4 - 12	1.75	1/2	30	1.8	0.06	2.00
CTR-3.25A-SS	3.250	1.94	1.250	2.50	1 1/4 - 12	1.75	1/2	30	1.5	0.06	2.00
CTR-3.25-SS	3.250	1.94	1.250	2.50	1 1/4 - 12	1.75	1/2	30	1.8	0.06	2.00
CTR-3.50A-SS	3.500	1.94	1.250	2.75	1 1/4 - 12	1.75	1/2	30	1.5	0.06	2.00
CTR-3.50-SS	3.500	1.94	1.250	2.75	1 1/4 - 12	1.75	1/2	30	1.8	0.06	2.00
CTR-4.00A-SS	4.000	1.94	1.250	2.75	1 1/4 - 12	1.75	1/2	30	1.5	0.06	2.00
CTR-4.00-SS	4.000	1.94	1.250	2.75	1 1/4 - 12	1.75	1/2	30	1.8	0.06	2.00
CTR-5.00-SS	5.000	2.94	2.000	4.50	2 - 12	2.50	5/8	48	3.0	0.06	3.00
CTR-6.00-SS	6.000	2.94	2.500	5.50	2 1/2 - 12	3.25	5/8	56	3.5	0.06	3.00

# CTR-SS Series Track Roller Assembly

Crowned/Spherical – Stud Type Concentric  
316 Stainless Steel - Ball & Tapered Roller Bearings



## ADDITIONAL NOTES

\*For lubricated threads, use half the maximum clamping torque value shown.

DGBB-SS: Deep Groove Ball Bearings – 440C Stainless Steel  
TRB: Tapered Roller Bearings – Alloy Steel

FEATURING ∞ INFINITY ROLLER™ TECHNOLOGY

Jam Nut & Lock Washer sets are available at an additional cost.

For regreasable provisions, add a “-R” to the end of the part number. (See “-R” page for specifications)

Specifications subject to change without notice.

Ask about the Stainless Steel “PLUS” Solution -SSP.

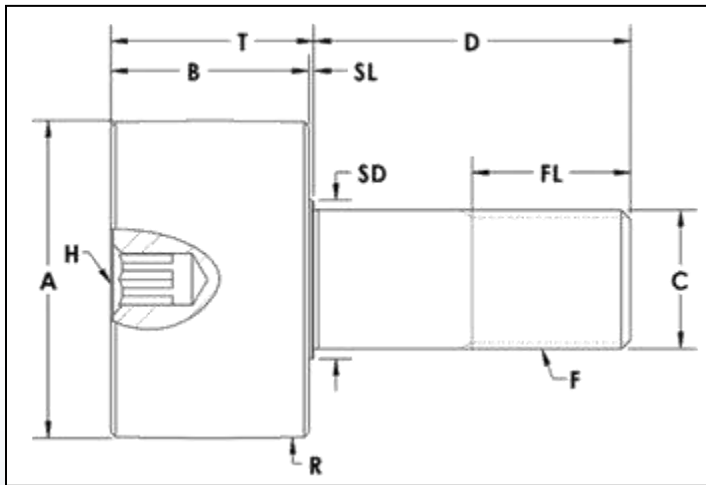
Stud Type Track Roller Part Number	Basic Radial Dynamic Load Rating (lbs) C	Basic Radial Static Load Rating (lbs) Co	Thrust Dynamic Load Rating (lbs)	Thrust Static Load Rating (lbs)	Stud Capacity (lbs)	Retaining Ring Capacity (lbs)	Max. Clamping Torque (in-lbs)*	Seal Type	Bearing Type	Approx. Roller Weight (lbs)
CTR-1.00-SS	786	467	282	58	190	390	50	Fluorocarbon Lip	DGBB-SS	0.17
CTR-1.125-SS	786	467	282	58	190	390	50	Fluorocarbon Lip	DGBB-SS	0.22
CTR-1.25-SS	852	605	317	76	340	470	50	Fluorocarbon Lip	DGBB-SS	0.30
CTR-1.375-SS	852	605	317	76	340	470	50	Fluorocarbon Lip	DGBB-SS	0.36
CTR-1.50-SS	1,688	1,321	809	330	610	550	180	Fluorocarbon Lip	DGBB-SS	0.56
CTR-1.75-SS	1,688	1,321	809	330	610	550	250	Fluorocarbon Lip	DGBB-SS	0.86
CTR-2.00-SS	2,611	2,064	1,257	516	1,220	900	350	Fluorocarbon Lip	DGBB-SS	1.39
CTR-2.25-SS	2,611	2,064	1,257	516	1,610	900	350	Fluorocarbon Lip	DGBB-SS	1.86
CTR-2.50-SS	3,828	3,398	1,936	849	2,360	1,340	350	Fluorocarbon Lip	DGBB-SS	2.34
CTR-2.50E-SS	10,880	7,630	4,010	4,570	2,240	-	350	Rubber Dual Lip	TRB	2.48
CTR-2.75-SS	3,828	3,398	1,936	849	3,060	1,340	350	Fluorocarbon Lip	DGBB-SS	2.82
CTR-2.75E-SS	10,880	7,630	4,010	4,570	2,850	-	350	Rubber Dual Lip	TRB	3.00
CTR-3.00A-SS	7,102	5,081	3,287	1,270	5,050	1,950	1,500	Fluorocarbon Lip	DGBB-SS	3.99
CTR-3.00-SS	14,300	20,000	5,790	12,000	5,050	-	650	Rubber Dual Lip	TRB	4.15
CTR-3.25A-SS	7,102	5,081	3,287	1,270	5,050	1,950	1,500	Fluorocarbon Lip	DGBB-SS	4.65
CTR-3.25-SS	14,300	20,000	5,790	12,000	5,050	-	650	Rubber Dual Lip	TRB	4.84
CTR-3.50A-SS	7,102	5,081	3,287	1,270	5,050	1,950	1,500	Fluorocarbon Lip	DGBB-SS	5.48
CTR-3.50-SS	14,300	20,000	5,790	12,000	5,050	-	650	Rubber Dual Lip	TRB	5.67
CTR-4.00A-SS	7,102	5,081	3,287	1,270	5,050	1,950	1,500	Fluorocarbon Lip	DGBB-SS	7.13
CTR-4.00-SS	14,300	20,000	5,790	12,000	5,050	-	650	Rubber Dual Lip	TRB	7.33
CTR-5.00-SS	35,870	58,400	13,310	32,100	13,780	-	5,000	Rubber Dual Lip	TRB	18.81
CTR-6.00-SS	35,830	56,200	14,150	32,900	26,910	-	5,000	Rubber Dual Lip	TRB	29.03

# CXR-SS Series Roller Assembly

Crowned/Spherical – Stud Type Concentric  
316 Stainless Steel - Ball & Tapered Roller Bearings



(989)358-6148  
www.pcimfg.com



FEATURING  
∞ INFINITY ROLLER™  
TECHNOLOGY

Stud Type XR Roller Part Number	A	B	C	D	F	FL	H	R	SD	SL	T
	Roller Dia. +0.000 -0.001	Roller Width	Stud Dia. +0.000 -0.001	Stud Length	Thread Size	Thread Length	Hex Size	Crown Radius	Shoulder Dia.	Shoulder Length	Roller Width + Shoulder Length
CXR-1.50-SS	1.500	0.88	0.625	1.50	5/8 - 18	0.75	5/16	20	0.8	0.03	0.91
CXR-1.75-SS	1.750	1.00	0.750	1.75	3/4 - 16	0.88	5/16	20	0.9	0.03	1.03
CXR-2.00-SS	2.000	1.25	0.875	2.00	7/8 - 14	1.00	5/16	24	1.0	0.03	1.28
CXR-2.25-SS	2.250	1.25	0.875	2.00	7/8 - 14	1.00	5/16	24	1.0	0.03	1.28
CXR-2.50-SS	2.500	1.50	1.000	2.25	1 - 14	1.13	3/8	30	1.2	0.03	1.53
CXR-2.50E-SS	2.500	1.50	1.000	2.25	1 - 14	1.13	3/8	30	1.2	0.03	1.53
CXR-2.75-SS	2.750	1.50	1.000	2.25	1 - 14	1.13	3/8	30	1.2	0.03	1.53
CXR-2.75E-SS	2.750	1.50	1.000	2.25	1 - 14	1.13	3/8	30	1.2	0.03	1.53
CXR-3.00A-SS	3.000	1.75	1.250	2.50	1 1/4 - 12	1.25	1/2	30	1.6	0.03	1.78
CXR-3.00-SS	3.000	1.75	1.250	2.50	1 1/4 - 12	1.25	1/2	30	1.8	0.03	1.78
CXR-3.25A-SS	3.250	1.75	1.250	2.50	1 1/4 - 12	1.25	1/2	30	1.6	0.03	1.78
CXR-3.25-SS	3.250	1.75	1.250	2.50	1 1/4 - 12	1.25	1/2	30	1.8	0.03	1.78
CXR-3.50A-SS	3.500	2.00	1.375	2.75	1 3/8 - 12	1.38	1/2	30	1.8	0.03	2.03
CXR-3.50-SS	3.500	2.00	1.375	2.75	1 3/8 - 12	1.38	1/2	30	2.0	0.03	2.03
CXR-4.00A-SS	4.000	2.25	1.500	3.50	1 1/2 - 12	1.50	1/2	30	1.8	0.03	2.28
CXR-4.00-SS	4.000	2.25	1.500	3.50	1 1/2 - 12	1.50	1/2	30	2.0	0.03	2.28
CXR-5.00-SS	5.000	2.75	2.000	5.06	2 - 12	2.56	5/8	48	2.9	0.06	2.81
CXR-6.00-SS	6.000	3.25	2.500	6.00	2 1/2 - 12	3.00	5/8	56	3.3	0.06	3.31

# CXR-SS Series Roller Assembly

Crowned/Spherical – Stud Type Concentric  
316 Stainless Steel - Ball & Tapered Roller Bearings



## ADDITIONAL NOTES

\*For lubricated threads, use half the maximum clamping torque value shown.

DGGB-SS: Deep Groove Ball Bearings – 440C Stainless Steel  
TRB: Tapered Roller Bearings – Alloy Steel

FEATURING ∞ INFINITY ROLLER™ TECHNOLOGY

Jam Nut & Lock Washer sets are available at an additional cost.

For regreasable provisions, add a “-R” to the end of the part number. (See “-R” page for specifications)

Specifications subject to change without notice.

Ask about the Stainless Steel “PLUS” Solution -SSP.

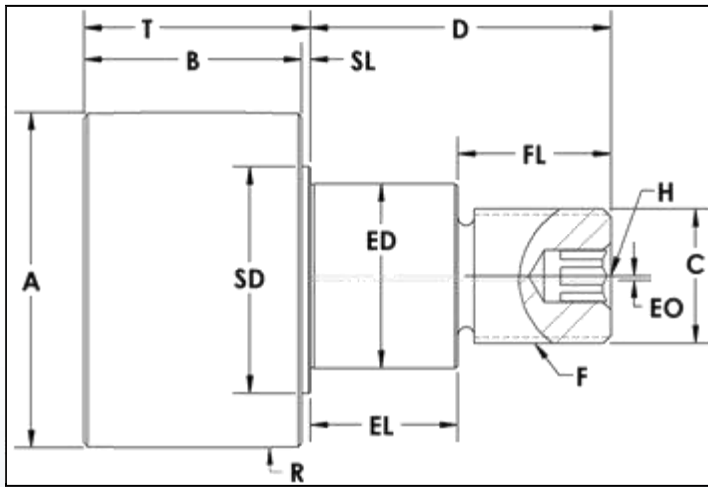
Stud Type XR Roller Part Number	Basic Radial Dynamic Load Rating (lbs) C	Basic Radial Static Load Rating (lbs) Co	Thrust Dynamic Load Rating (lbs)	Thrust Static Load Rating (lbs)	Stud Capacity (lbs)	Retaining Ring Capacity (lbs)	Max. Clamping Torque (in-lbs)*	Seal Type	Bearing Type	Approx. Roller Weight (lbs)
CXR-1.50-SS	1,276	1,114	641	278	1,390	910	180	Fluorocarbon Lip	DGGB-SS	0.45
CXR-1.75-SS	1,276	1,114	641	278	2,100	910	250	Fluorocarbon Lip	DGGB-SS	0.75
CXR-2.00-SS	2,565	2,168	1,270	542	1,940	1,340	350	Fluorocarbon Lip	DGGB-SS	1.22
CXR-2.25-SS	2,565	2,168	1,270	542	2,560	1,340	350	Fluorocarbon Lip	DGGB-SS	1.50
CXR-2.50-SS	3,828	3,398	1,936	849	2,550	1,340	650	Fluorocarbon Lip	DGGB-SS	2.17
CXR-2.50E-SS	10,880	7,630	4,010	4,570	2,550	-	350	Rubber Dual Lip	TRB	2.24
CXR-2.75-SS	3,828	3,398	1,936	849	3,380	1,340	650	Fluorocarbon Lip	DGGB-SS	2.60
CXR-2.75E-SS	10,880	7,630	4,010	4,570	3,380	-	350	Rubber Dual Lip	TRB	2.67
CXR-3.00A-SS	5,827	4,631	2,812	1,158	5,670	1,950	650	Fluorocarbon Lip	DGGB-SS	3.56
CXR-3.00-SS	14,300	20,000	5,790	12,000	5,670	-	1,200	Rubber Dual Lip	TRB	3.81
CXR-3.25A-SS	5,827	4,631	2,812	1,158	5,670	1,950	650	Fluorocarbon Lip	DGGB-SS	4.31
CXR-3.25-SS	14,300	20,000	5,790	12,000	5,670	-	1,200	Rubber Dual Lip	TRB	4.41
CXR-3.50A-SS	6,118	5,171	3,030	1,293	6,620	3,000	1,500	Fluorocarbon Lip	DGGB-SS	5.47
CXR-3.50-SS	17,600	27,200	5,750	13,100	6,620	-	1,500	Rubber Dual Lip	TRB	5.93
CXR-4.00A-SS	6,118	5,171	3,030	1,293	7,650	3,000	2,250	Fluorocarbon Lip	DGGB-SS	8.25
CXR-4.00-SS	17,600	27,200	5,750	13,100	7,650	-	2,250	Rubber Dual Lip	TRB	8.90
CXR-5.00-SS	35,870	58,400	13,310	32,100	14,710	-	4,200	Rubber Dual Lip	TRB	18.12
CXR-6.00-SS	35,830	56,200	14,150	32,900	24,390	-	5,000	Rubber Dual Lip	TRB	30.87

# CTRE-SS Series Track Roller Assembly

Crowned/Spherical – Stud Type Eccentric  
316 Stainless Steel - Ball & Tapered Roller Bearings



(989)358-6148  
www.pcimfg.com



FEATURING  
∞ INFINITY ROLLER™  
TECHNOLOGY

Stud Type Track Roller Part Number	A	B	C	D	ED	EL	EO	F	FL	H	SD	SL	T
	Roller Dia. +.000 -.001	Roller Width	Stud Dia. +.000 -.001	Stud Length	Ecc Dia +.000 -.002	Ecc Length	Ecc Offset	Thread Size	Thread Length	Hex Size	Shoulder Dia.	Shoulder Length	Roller Width + Shoulder Length
CTRE-1.00-SS	1.000	0.75	0.437	1.00	0.625	0.48	0.03	7/16 - 20	0.52	3/16	0.7	0.03	0.78
CTRE-1.125-SS	1.125	0.75	0.437	1.00	0.625	0.48	0.03	7/16 - 20	0.52	3/16	0.7	0.03	0.78
CTRE-1.25-SS	1.250	0.81	0.500	1.25	0.687	0.61	0.03	1/2 - 20	0.65	3/16	0.8	0.03	0.84
CTRE-1.375-SS	1.375	0.81	0.500	1.25	0.687	0.61	0.03	1/2 - 20	0.65	3/16	0.8	0.03	0.84
CTRE-1.50-SS	1.500	1.13	0.625	1.50	0.875	0.73	0.03	5/8 - 18	0.77	5/16	1.1	0.06	1.19
CTRE-1.75-SS	1.750	1.13	0.750	1.75	1.000	0.86	0.03	3/4 - 16	0.90	5/16	1.3	0.06	1.19
CTRE-2.00-SS	2.000	1.63	0.875	2.00	1.187	0.98	0.03	7/8 - 14	1.02	5/16	1.5	0.06	1.69
CTRE-2.25-SS	2.250	1.63	0.875	2.00	1.187	0.98	0.03	7/8 - 14	1.02	5/16	1.5	0.06	1.69
CTRE-2.50-SS	2.500	1.63	1.000	2.25	1.375	1.11	0.03	1 - 14	1.15	3/8	1.7	0.06	1.69
CTRE-2.50E-SS	2.500	1.75	1.000	2.25	1.375	1.11	0.03	1 - 14	1.15	3/8	1.7	0.06	1.81
CTRE-2.75-SS	2.750	1.63	1.000	2.25	1.375	1.11	0.03	1 - 14	1.15	3/8	1.7	0.06	1.69
CTRE-2.75E-SS	2.750	1.75	1.000	2.25	1.375	1.11	0.03	1 - 14	1.15	3/8	1.7	0.06	1.81
CTRE-3.00A-SS	3.000	1.94	1.250	2.50	1.750	1.23	0.06	1 1/4 - 12	1.27	1/2	2.2	0.06	2.00
CTRE-3.00-SS	3.000	1.94	1.250	2.50	1.750	1.23	0.06	1 1/4 - 12	1.27	1/2	2.2	0.06	2.00
CTRE-3.25A-SS	3.250	1.94	1.250	2.50	1.750	1.23	0.06	1 1/4 - 12	1.27	1/2	2.2	0.06	2.00
CTRE-3.25-SS	3.250	1.94	1.250	2.50	1.750	1.23	0.06	1 1/4 - 12	1.27	1/2	2.2	0.06	2.00
CTRE-3.50A-SS	3.500	1.94	1.250	2.75	1.812	1.36	0.06	1 1/4 - 12	1.40	1/2	2.2	0.06	2.00
CTRE-3.50-SS	3.500	1.94	1.250	2.75	1.812	1.36	0.06	1 1/4 - 12	1.40	1/2	2.2	0.06	2.00
CTRE-4.00A-SS	4.000	1.94	1.250	2.75	1.812	1.36	0.06	1 1/4 - 12	1.40	1/2	2.2	0.06	2.00
CTRE-4.00-SS	4.000	1.94	1.250	2.75	1.812	1.36	0.06	1 1/4 - 12	1.40	1/2	2.2	0.06	2.00
CTRE-5.00-SS	5.000	2.94	2.000	4.50	2.625	2.13	0.06	2 - 12	2.38	5/8	3.3	0.06	3.00
CTRE-6.00-SS	6.000	2.94	2.500	5.50	3.125	2.88	0.06	2 1/2 - 12	2.63	5/8	3.6	0.06	3.00

# CTRE-SS Series Track Roller Assembly

Crowned/Spherical – Stud Type Eccentric  
316 Stainless Steel - Ball & Tapered Roller Bearings



(989)358-6148  
www.pcimfg.com



## ADDITIONAL NOTES

\*For lubricated threads, use half the maximum clamping torque value shown.

DGBB-SS: Deep Groove Ball Bearings – 440C Stainless Steel  
TRB: Tapered Roller Bearings – Alloy Steel

FEATURING ∞ INFINITY ROLLER™ TECHNOLOGY

Jam Nut & Lock Washer sets are available at an additional cost.

For regreasable provisions, add a “-R” to the end of the part number. (See “-R” page for specifications)

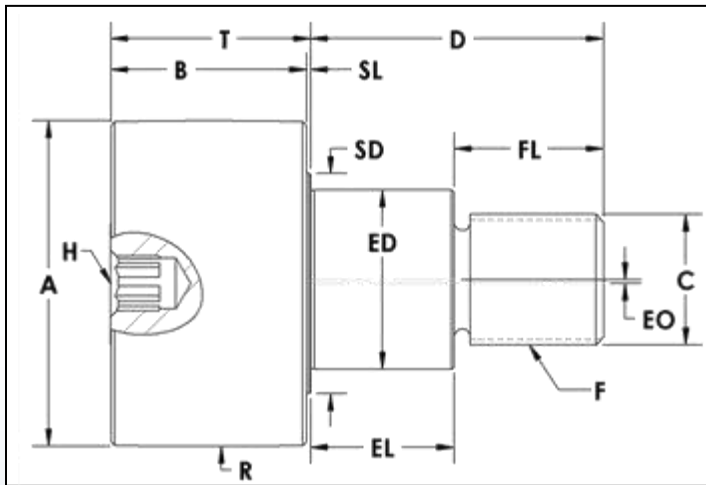
Specifications subject to change without notice.

Ask about the Stainless Steel “PLUS” Solution -SSP.

Stud Type Track Roller Part Number	Basic Radial Dynamic Load Rating (lbs) C	Basic Radial Static Load Rating (lbs) Co	Thrust Dynamic Load Rating (lbs)	Thrust Static Load Rating (lbs)	Stud Capacity (lbs)	Retaining Ring Capacity (lbs)	Max. Clamping Torque (in-lbs)*	Seal Type	Bearing Type	Approx. Roller Weight (lbs)
CTRE-1.00-SS	786	467	282	58	190	390	95	Fluorocarbon Lip	DGBB-SS	0.20
CTRE-1.125-SS	786	467	282	58	190	390	95	Fluorocarbon Lip	DGBB-SS	0.24
CTRE-1.25-SS	852	605	317	76	340	470	95	Fluorocarbon Lip	DGBB-SS	0.32
CTRE-1.375-SS	852	605	317	76	340	470	95	Fluorocarbon Lip	DGBB-SS	0.37
CTRE-1.50-SS	1,688	1,321	809	330	610	550	250	Fluorocarbon Lip	DGBB-SS	0.63
CTRE-1.75-SS	1,688	1,321	809	330	610	550	350	Fluorocarbon Lip	DGBB-SS	0.96
CTRE-2.00-SS	2,611	2,064	1,257	516	1,220	900	650	Fluorocarbon Lip	DGBB-SS	1.68
CTRE-2.25-SS	2,611	2,064	1,257	516	1,610	900	650	Fluorocarbon Lip	DGBB-SS	2.07
CTRE-2.50-SS	3,828	3,398	1,936	849	2,360	1,340	650	Fluorocarbon Lip	DGBB-SS	2.48
CTRE-2.50E-SS	10,880	7,630	4,010	4,570	2,240	-	350	Rubber Dual Lip	TRB	2.67
CTRE-2.75-SS	3,828	3,398	1,936	849	3,060	1,340	650	Fluorocarbon Lip	DGBB-SS	3.08
CTRE-2.75E-SS	10,880	7,630	4,010	4,570	2,850	-	350	Rubber Dual Lip	TRB	3.17
CTRE-3.00A-SS	7,102	5,081	3,287	1,270	5,050	1,950	1,500	Fluorocarbon Lip	DGBB-SS	4.53
CTRE-3.00-SS	14,300	20,000	5,790	12,000	5,050	-	650	Rubber Dual Lip	TRB	4.62
CTRE-3.25A-SS	7,102	5,081	3,287	1,270	5,050	1,950	1,500	Fluorocarbon Lip	DGBB-SS	5.19
CTRE-3.25-SS	14,300	20,000	5,790	12,000	5,050	-	650	Rubber Dual Lip	TRB	5.31
CTRE-3.50A-SS	7,102	5,081	3,287	1,270	5,050	1,950	1,500	Fluorocarbon Lip	DGBB-SS	6.10
CTRE-3.50-SS	14,300	20,000	5,790	12,000	5,050	-	650	Rubber Dual Lip	TRB	6.27
CTRE-4.00A-SS	7,102	5,081	3,287	1,270	5,050	1,950	1,500	Fluorocarbon Lip	DGBB-SS	7.69
CTRE-4.00-SS	14,300	20,000	5,790	12,000	5,050	-	650	Rubber Dual Lip	TRB	7.93
CTRE-5.00-SS	35,870	58,400	13,310	32,100	13,780	-	5,000	Rubber Dual Lip	TRB	20.20
CTRE-6.00-SS	35,830	56,200	14,150	32,900	26,910	-	5,000	Rubber Dual Lip	TRB	31.06

# CXRE-SS Series Roller Assembly

Crowned/Spherical – Stud Type Eccentric  
316 Stainless Steel - Ball & Tapered Roller Bearings



FEATURING  
∞ INFINITY ROLLER™  
TECHNOLOGY

Stud Type XR Roller Part Number	A	B	C	D	ED	EL	EO	F	FL	H	R	SD	SL	T
	Roller Dia. +0.000 -0.001	Roller Width	Stud Dia.	Stud Length	Ecc Dia +0.000 -0.002	Ecc Length	Ecc Offset	Thread Size	Thread Length	Hex Size	Crown Radius	Shoulder Dia.	Shoulder Length	Roller Width + Shoulder Length
CXRE-1.50-SS	1.500	0.88	0.625	1.50	0.875	0.75	0.03	5/8 - 18	0.75	5/16	20	1.0	0.03	0.91
CXRE-1.75-SS	1.750	1.00	0.750	1.75	1.000	0.88	0.03	3/4 - 16	0.90	5/16	20	1.2	0.03	1.03
CXRE-2.00-SS	2.000	1.25	0.875	2.00	1.187	1.00	0.03	7/8 - 14	1.00	5/16	24	1.5	0.03	1.28
CXRE-2.25-SS	2.250	1.25	0.875	2.00	1.187	1.00	0.03	7/8 - 14	1.00	5/16	24	1.5	0.03	1.28
CXRE-2.50-SS	2.500	1.50	1.000	2.25	1.375	1.12	0.03	1 - 14	1.13	3/8	30	1.9	0.03	1.53
CXRE-2.50E-SS	2.500	1.50	1.000	2.25	1.375	1.12	0.03	1 - 14	1.13	3/8	30	1.9	0.03	1.53
CXRE-2.75-SS	2.750	1.50	1.000	2.25	1.375	1.12	0.03	1 - 14	1.13	3/8	30	1.9	0.03	1.53
CXRE-2.75E-SS	2.750	1.50	1.000	2.25	1.375	1.12	0.03	1 - 14	1.13	3/8	30	1.9	0.03	1.53
CXRE-3.00A-SS	3.000	1.75	1.250	2.50	1.750	1.23	0.06	1 1/4 - 12	1.27	1/2	30	2.2	0.03	1.78
CXRE-3.00-SS	3.000	1.75	1.250	2.50	1.750	1.23	0.06	1 1/4 - 12	1.27	1/2	30	2.2	0.03	1.78
CXRE-3.25A-SS	3.250	1.75	1.250	2.50	1.750	1.23	0.06	1 1/4 - 12	1.27	1/2	30	2.2	0.03	1.78
CXRE-3.25-SS	3.250	1.75	1.250	2.50	1.750	1.23	0.06	1 1/4 - 12	1.27	1/2	30	2.2	0.03	1.78
CXRE-3.50A-SS	3.500	2.00	1.375	2.75	1.812	1.37	0.06	1 3/8 - 12	1.39	1/2	30	2.5	0.03	2.03
CXRE-3.50-SS	3.500	2.00	1.375	2.75	1.812	1.37	0.06	1 3/8 - 12	1.39	1/2	30	2.5	0.03	2.03
CXRE-4.00A-SS	4.000	2.25	1.500	3.50	2.000	2.00	0.06	1 1/2 - 12	1.50	1/2	30	2.5	0.03	2.28
CXRE-4.00-SS	4.000	2.25	1.500	3.50	2.000	2.00	0.06	1 1/2 - 12	1.50	1/2	30	2.5	0.03	2.28



# CXRE-SS Series Roller Assembly

Crowned/Spherical – Stud Type Eccentric

316 Stainless Steel - Ball & Tapered Roller Bearings



(989)358-6148

www.pcimfg.com



## ADDITIONAL NOTES

\*For lubricated threads, use half the maximum clamping torque value shown.

DGBB-SS: Deep Groove Ball Bearings – 440C Stainless Steel  
TRB: Tapered Roller Bearings – Alloy Steel

FEATURING ∞ INFINITY ROLLER™ TECHNOLOGY

Jam Nut & Lock Washer sets are available at an additional cost.

For regreasable provisions, add a “-R” to the end of the part number. (See “-R” page for specifications)

Specifications subject to change without notice.

Ask about the Stainless Steel “PLUS” Solution -SSP.

Stud Type XR Roller Part Number	Basic Radial Dynamic Load Rating (lbs) C	Basic Radial Static Load Rating (lbs) Co	Thrust Dynamic Load Rating (lbs)	Thrust Static Load Rating (lbs)	Stud Capacity (lbs)	Retaining Ring Capacity (lbs)	Max. Clamping Torque (in-lbs)*	Seal Type	Bearing Type	Approx. Roller Weight (lbs)
CXRE-1.50-SS	1,276	1,114	641	278	1,390	910	180	Fluorocarbon Lip	DGBB-SS	0.53
CXRE-1.75-SS	1,276	1,114	641	278	2,100	910	250	Fluorocarbon Lip	DGBB-SS	0.84
CXRE-2.00-SS	2,565	2,168	1,270	542	1,940	1,340	350	Fluorocarbon Lip	DGBB-SS	1.46
CXRE-2.25-SS	2,565	2,168	1,270	542	2,560	1,340	350	Fluorocarbon Lip	DGBB-SS	1.78
CXRE-2.50-SS	3,828	3,398	1,936	849	2,550	1,340	650	Fluorocarbon Lip	DGBB-SS	2.43
CXRE-2.50E-SS	10,880	7,630	4,010	4,570	2,550	-	350	Rubber Dual Lip	TRB	2.50
CXRE-2.75-SS	3,828	3,398	1,936	849	3,380	1,340	650	Fluorocarbon Lip	DGBB-SS	2.89
CXRE-2.75E-SS	10,880	7,630	4,010	4,570	3,380	-	350	Rubber Dual Lip	TRB	2.95
CXRE-3.00A-SS	5,827	4,631	2,812	1,158	5,670	1,950	650	Fluorocarbon Lip	DGBB-SS	4.00
CXRE-3.00-SS	14,300	20,000	5,790	12,000	5,670	-	1,200	Rubber Dual Lip	TRB	4.28
CXRE-3.25A-SS	5,827	4,631	2,812	1,158	5,670	1,950	650	Fluorocarbon Lip	DGBB-SS	4.36
CXRE-3.25-SS	14,300	20,000	5,790	12,000	5,670	-	1,200	Rubber Dual Lip	TRB	4.47
CXRE-3.50A-SS	6,118	5,171	3,030	1,293	6,620	3,000	1,500	Fluorocarbon Lip	DGBB-SS	6.00
CXRE-3.50-SS	17,600	27,200	5,750	13,100	6,620	-	1,500	Rubber Dual Lip	TRB	6.44
CXRE-4.00A-SS	6,118	5,171	3,030	1,293	7,650	3,000	2,250	Fluorocarbon Lip	DGBB-SS	9.11
CXRE-4.00-SS	17,600	27,200	5,750	13,100	7,650	-	2,250	Rubber Dual Lip	TRB	9.64

# CTRY-SS Series Track Roller Assembly

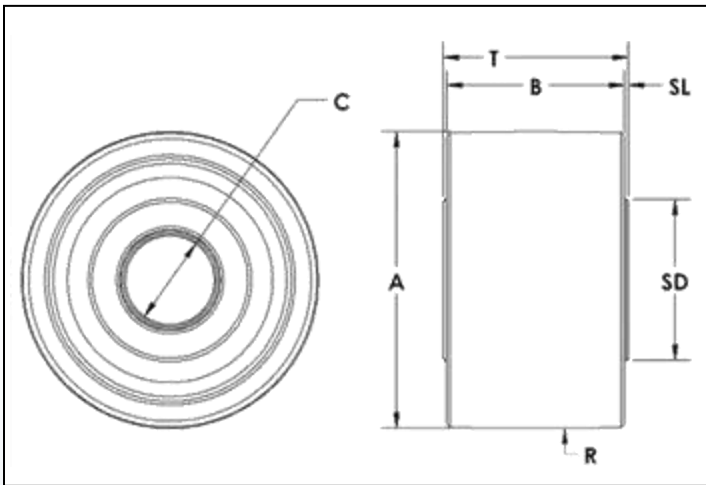
Crowned/Spherical – Yoke Type

316 Stainless Steel - Ball & Tapered Roller Bearings



(989)358-6148

www.pcimfg.com



FEATURING  
∞ INFINITY ROLLER™  
TECHNOLOGY

Yoke Type Track Roller Part Number	A Roller Dia. +.000 -.001	B Roller Width	C Bore Dia. +.0007 -.0000	R Crown Radius	SD Shoulder Dia.	SL Shoulder Length	T Inner Race Width +.005 -.010
CTRY-1.50-SS	1.500	0.88	0.4380	20	0.9	0.03	0.937
CTRY-1.75-SS	1.750	1.00	0.5005	20	0.9	0.03	1.063
CTRY-2.00-SS	2.000	1.25	0.6255	24	1.1	0.03	1.313
CTRY-2.25-SS	2.250	1.25	0.6255	24	1.1	0.03	1.313
CTRY-2.50-SS	2.500	1.50	0.7505	30	1.2	0.03	1.563
CTRY-2.50E-SS	2.500	1.50	0.7505	30	1.3	0.03	1.563
CTRY-2.75-SS	2.750	1.50	0.7505	30	1.2	0.03	1.563
CTRY-2.75E-SS	2.750	1.50	0.7505	30	1.3	0.03	1.563
CTRY-3.00A-SS	3.000	1.75	1.0005	30	1.8	0.03	1.813
CTRY-3.00-SS	3.000	1.75	1.0005	30	1.8	0.03	1.813
CTRY-3.25A-SS	3.250	1.75	1.0005	30	1.8	0.03	1.813
CTRY-3.25-SS	3.250	1.75	1.0005	30	1.8	0.03	1.813
CTRY-3.50A-SS	3.500	2.00	1.1255	30	2.0	0.03	2.063
CTRY-3.50-SS	3.500	2.00	1.1255	30	2.0	0.03	2.063
CTRY-4.00A-SS	4.000	2.25	1.2505	30	2.0	0.03	2.313
CTRY-4.00-SS	4.000	2.25	1.2505	30	2.3	0.03	2.313
CTRY-5.00-SS	5.000	2.75	1.7508	48	3.2	0.06	2.875
CTRY-6.00-SS	6.000	3.25	2.2508	56	3.5	0.06	3.375

Optional PCI Yoke Shaft	Optional PCI Eccentric Yoke Shaft
YSH-.437-SS	YSHE-.437-SS
YSH-.500-SS	YSHE-.500-SS
YSH-.625-SS	YSHE-.625-SS
YSH-.625-SS	YSHE-.625-SS
YSH-.750-SS	YSHE-.750-SS
YSH-.750-SS	YSHE-.750-SS
YSH-.750-SS	YSHE-.750-SS
YSH-.750-SS	YSHE-.750-SS
YSH-1.000-SS	YSHE-1.000-SS
YSH-1.000-SS	YSHE-1.000-SS
YSH-1.000-SS	YSHE-1.000-SS
YSH-1.000-SS	YSHE-1.000-SS
YSH-1.125-SS	YSHE-1.125-SS
YSH-1.125-SS	YSHE-1.125-SS
YSH-1.250-SS	YSHE-1.250-SS
YSH-1.250-SS	YSHE-1.250-SS
YSH-1.750-SS	YSHE-1.750-SS
YSH-2.250-SS	YSHE-2.250-SS

# CTRY-SS Series Track Roller Assembly

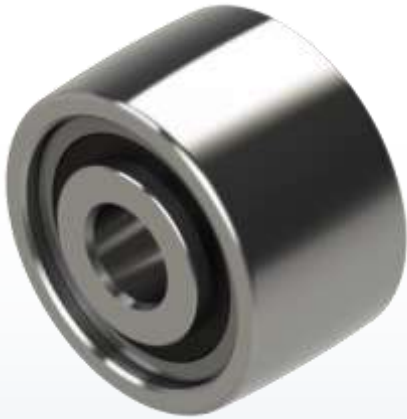
Crowned/Spherical – Yoke Type

316 Stainless Steel - Ball & Tapered Roller Bearings



(989)358-6148

www.pcimfg.com



## ADDITIONAL NOTES

DGBB-SS: Deep Groove Ball Bearings – 440C Stainless Steel  
 TRB: Tapered Roller Bearings – Alloy Steel

FEATURING ∞ INFINITY ROLLER™ TECHNOLOGY

PCI Heavy Duty Yoke Shafts are available at an additional cost. See YSH page for details.

For regreasable provisions, add a “-R” to the end of the part number. (See “CTRY-R” page for specifications)

Specifications subject to change without notice.

Ask about the Stainless Steel “PLUS” Solution -SSP.

Yoke Type Track Roller Part Number	Basic Radial Dynamic Load Rating (lbs) C	Basic Radial Static Load Rating (lbs) Co	Thrust Dynamic Load Rating (lbs)	Thrust Static Load Rating (lbs)	Seal Type	Bearing Type	Approx. Roller Weight (lbs)
CTRY-1.50-SS	1,276	1,114	641	278	Fluorocarbon Lip	DGBB-SS	0.31
CTRY-1.75-SS	1,276	1,114	641	278	Fluorocarbon Lip	DGBB-SS	0.51
CTRY-2.00-SS	2,565	2,168	1,270	542	Fluorocarbon Lip	DGBB-SS	0.82
CTRY-2.25-SS	2,565	2,168	1,270	542	Fluorocarbon Lip	DGBB-SS	1.10
CTRY-2.50-SS	3,828	3,398	1,936	849	Fluorocarbon Lip	DGBB-SS	1.59
CTRY-2.50E-SS	10,880	7,630	4,010	4,570	Rubber Dual Lip	TRB	1.62
CTRY-2.75-SS	3,828	3,398	1,936	849	Fluorocarbon Lip	DGBB-SS	2.03
CTRY-2.75E-SS	10,880	7,630	4,010	4,570	Rubber Dual Lip	TRB	2.06
CTRY-3.00A-SS	5,827	4,631	2,812	1,158	Fluorocarbon Lip	DGBB-SS	2.47
CTRY-3.00-SS	14,300	20,000	5,790	12,000	Rubber Dual Lip	TRB	2.67
CTRY-3.25A-SS	5,827	4,631	2,812	1,158	Fluorocarbon Lip	DGBB-SS	3.09
CTRY-3.25-SS	14,300	20,000	5,790	12,000	Rubber Dual Lip	TRB	3.29
CTRY-3.50A-SS	6,118	5,171	3,030	1,293	Fluorocarbon Lip	DGBB-SS	4.00
CTRY-3.50-SS	17,600	27,200	5,750	13,100	Rubber Dual Lip	TRB	4.37
CTRY-4.00A-SS	6,118	5,171	3,030	1,293	Fluorocarbon Lip	DGBB-SS	6.36
CTRY-4.00-SS	17,600	27,200	5,750	13,100	Rubber Dual Lip	TRB	6.77
CTRY-5.00-SS	35,870	58,400	13,310	32,100	Rubber Dual Lip	TRB	12.55
CTRY-6.00-SS	35,830	56,200	14,150	32,900	Rubber Dual Lip	TRB	19.77

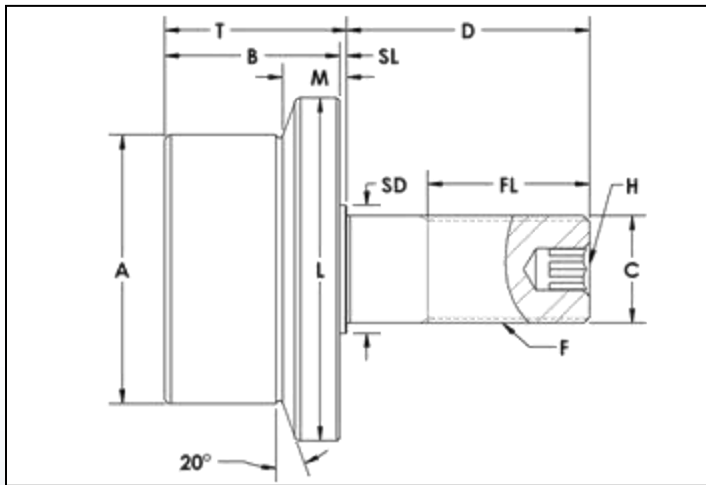
# FTR-SS Series Track Roller Assembly

Flanged – Stud Type Concentric

316 Stainless Steel - Ball & Tapered Roller Bearings



(989)358-6148  
www.pcimfg.com



FEATURING  
∞ INFINITY ROLLER™  
TECHNOLOGY

Stud Type Track Roller Part Number	A Roller Dia. +.000 -.001	B Roller Width	C Stud Dia. +.000 -.001	D Stud Length	F Thread Size	FL Thread Length	H Hex Size	L Flange Dia	M Flange Width	SD Shoulder Dia.	SL Shoulder Length	T Roller Width + Shoulder Length
FTR-1.00-SS	1.000	0.75	0.437	1.00	7/16 - 20	0.50	3/16	1.38	0.22	0.5	0.03	0.78
FTR-1.125-SS	1.125	0.75	0.437	1.00	7/16 - 20	0.50	3/16	1.50	0.22	0.5	0.03	0.78
FTR-1.25-SS	1.250	0.81	0.500	1.25	1/2 - 20	0.63	3/16	1.56	0.22	0.6	0.03	0.84
FTR-1.375-SS	1.375	0.81	0.500	1.25	1/2 - 20	0.63	3/16	1.69	0.22	0.6	0.03	0.84
FTR-1.50-SS	1.500	1.13	0.625	1.50	5/8 - 18	0.75	5/16	2.19	0.34	0.8	0.06	1.19
FTR-1.75-SS	1.750	1.13	0.750	1.75	3/4 - 16	0.88	5/16	2.44	0.34	0.9	0.06	1.19
FTR-2.00-SS	2.000	1.63	0.875	2.00	7/8 - 14	1.13	5/16	2.69	0.59	1.0	0.06	1.69
FTR-2.25-SS	2.250	1.63	0.875	2.00	7/8 - 14	1.13	5/16	2.94	0.59	1.0	0.06	1.69
FTR-2.50-SS	2.500	1.63	1.000	2.25	1 - 14	1.50	3/8	3.19	0.59	1.2	0.06	1.69
FTR-2.50E-SS	2.500	1.75	1.000	2.25	1 - 14	1.50	3/8	3.19	0.59	1.3	0.06	1.81
FTR-2.75-SS	2.750	1.63	1.000	2.25	1 - 14	1.50	3/8	3.44	0.59	1.2	0.06	1.69
FTR-2.75E-SS	2.750	1.75	1.000	2.25	1 - 14	1.50	3/8	3.44	0.59	1.3	0.06	1.81
FTR-3.00A-SS	3.000	1.94	1.250	2.50	1 1/4 - 12	1.75	1/2	3.94	0.59	1.5	0.06	2.00
FTR-3.00-SS	3.000	1.94	1.250	2.50	1 1/4 - 12	1.75	1/2	3.94	0.59	1.8	0.06	2.00
FTR-3.25A-SS	3.250	1.94	1.250	2.50	1 1/4 - 12	1.75	1/2	4.19	0.59	1.5	0.06	2.00
FTR-3.25-SS	3.250	1.94	1.250	2.50	1 1/4 - 12	1.75	1/2	4.19	0.59	1.8	0.06	2.00
FTR-3.50A-SS	3.500	1.94	1.250	2.75	1 1/4 - 12	1.75	1/2	4.44	0.59	1.5	0.06	2.00
FTR-3.50-SS	3.500	1.94	1.250	2.75	1 1/4 - 12	1.75	1/2	4.44	0.59	1.8	0.06	2.00
FTR-4.00A-SS	4.000	1.94	1.250	2.75	1 1/4 - 12	1.75	1/2	4.94	0.59	1.5	0.06	2.00
FTR-4.00-SS	4.000	1.94	1.250	2.75	1 1/4 - 12	1.75	1/2	4.94	0.59	1.8	0.06	2.00
FTR-4.50-SS	4.500	1.94	1.250	2.75	1 1/4 - 12	1.75	1/2	5.44	0.59	1.8	0.06	2.00
FTR-4.75-SS	4.750	1.94	1.250	2.75	1 1/4 - 12	1.75	1/2	5.75	0.59	1.8	0.06	2.00
FTR-5.00-SS	5.000	2.94	2.000	4.50	2 - 12	2.50	5/8	5.94	0.72	3.0	0.06	3.00
FTR-6.00-SS	6.000	2.94	2.500	5.50	2 1/2 - 12	3.25	5/8	6.94	0.72	3.5	0.06	3.00

# FTR-SS Series Track Roller Assembly

Flanged – Stud Type Concentric

316 Stainless Steel - Ball & Tapered Roller Bearings



(989)358-6148  
www.pcimfg.com



## ADDITIONAL NOTES

\*For lubricated threads, use half the maximum clamping torque value shown.

DGBB-SS: Deep Groove Ball Bearings – 440C Stainless Steel  
TRB: Tapered Roller Bearings – Alloy Steel

FEATURING ∞ INFINITY ROLLER™ TECHNOLOGY

Jam Nut & Lock Washer sets are available at an additional cost.

For regreasable provisions, add a “-R” to the end of the part number. (See “-R” page for specifications)

Specifications subject to change without notice.

Ask about the Stainless Steel “PLUS” Solution -SSP.

Stud Type Track Roller Part Number	Basic Radial Dynamic Load Rating (lbs) C	Basic Radial Static Load Rating (lbs) Co	Thrust Dynamic Load Rating (lbs)	Thrust Static Load Rating (lbs)	Stud Capacity (lbs)	Retaining Ring Capacity (lbs)	Max. Clamping Torque (in-lbs)*	Seal Type	Bearing Type	Approx. Roller Weight (lbs)
FTR-1.00-SS	786	467	282	58	140	390	50	Fluorocarbon Lip	DGBB-SS	0.20
FTR-1.125-SS	786	467	282	58	140	390	50	Fluorocarbon Lip	DGBB-SS	0.24
FTR-1.25-SS	852	605	317	76	260	470	50	Fluorocarbon Lip	DGBB-SS	0.32
FTR-1.375-SS	852	605	317	76	260	470	50	Fluorocarbon Lip	DGBB-SS	0.37
FTR-1.50-SS	1,688	1,321	809	330	440	550	180	Fluorocarbon Lip	DGBB-SS	0.66
FTR-1.75-SS	1,688	1,321	809	330	440	550	250	Fluorocarbon Lip	DGBB-SS	0.97
FTR-2.00-SS	2,611	2,064	1,257	516	1,000	900	350	Fluorocarbon Lip	DGBB-SS	1.76
FTR-2.25-SS	2,611	2,064	1,257	516	1,220	900	350	Fluorocarbon Lip	DGBB-SS	2.18
FTR-2.50-SS	3,828	3,398	1,936	849	2,270	1,340	350	Fluorocarbon Lip	DGBB-SS	2.70
FTR-2.50E-SS	10,880	7,630	4,010	4,570	2,150	-	350	Rubber Dual Lip	TRB	2.79
FTR-2.75-SS	3,828	3,398	1,936	849	2,360	1,340	350	Fluorocarbon Lip	DGBB-SS	3.20
FTR-2.75E-SS	10,880	7,630	4,010	4,570	2,240	-	350	Rubber Dual Lip	TRB	3.29
FTR-3.00A-SS	7,102	5,081	3,287	1,270	3,900	1,950	1,500	Fluorocarbon Lip	DGBB-SS	4.60
FTR-3.00-SS	14,300	20,000	5,790	12,000	3,900	-	650	Rubber Dual Lip	TRB	4.72
FTR-3.25A-SS	7,102	5,081	3,287	1,270	3,900	1,950	1,500	Fluorocarbon Lip	DGBB-SS	5.34
FTR-3.25-SS	14,300	20,000	5,790	12,000	3,900	-	650	Rubber Dual Lip	TRB	5.54
FTR-3.50A-SS	7,102	5,081	3,287	1,270	3,900	1,950	1,500	Fluorocarbon Lip	DGBB-SS	6.08
FTR-3.50-SS	14,300	20,000	5,790	12,000	3,900	-	650	Rubber Dual Lip	TRB	6.27
FTR-4.00A-SS	7,102	5,081	3,287	1,270	3,900	1,950	1,500	Fluorocarbon Lip	DGBB-SS	7.92
FTR-4.00-SS	14,300	20,000	5,790	12,000	3,900	-	650	Rubber Dual Lip	TRB	8.22
FTR-4.50-SS	14,300	20,000	5,790	12,000	3,900	-	650	Rubber Dual Lip	TRB	10.16
FTR-4.75-SS	14,300	20,000	5,790	12,000	3,900	-	650	Rubber Dual Lip	TRB	11.22
FTR-5.00-SS	35,870	58,400	13,310	32,100	11,110	-	5,000	Rubber Dual Lip	TRB	20.22
FTR-6.00-SS	35,830	56,200	14,150	32,900	21,700	-	5,000	Rubber Dual Lip	TRB	30.72

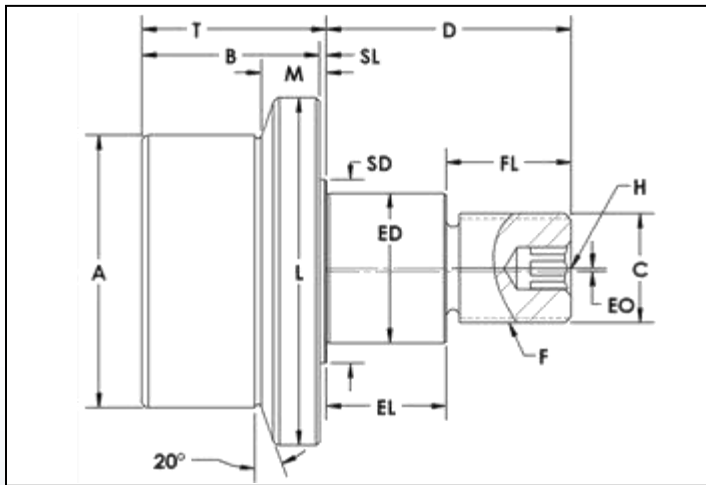
# FTRE-SS Series Track Roller Assembly

Flanged – Stud Type Eccentric

316 Stainless Steel - Ball & Tapered Roller Bearings



(989)358-6148  
www.pcimfg.com



FEATURING  
∞ INFINITY ROLLER™  
TECHNOLOGY

Stud Type Track Roller Part Number	A	B	C	D	ED	EL	EO	F	FL	H	L	M	SD	SL	T
	Roller Dia. +0.000 -0.001	Roller Width	Stud Dia.	Stud Length	Ecc Dia +0.000 -0.002	Ecc Length	Ecc Offset	Thread Size	Thread Length	Hex Size	Flange Dia	Flange Width	Shoulder Dia.	Shoulder Length	Roller Width + Shoulder Length
FTRE-1.00-SS	1.000	0.75	0.437	1.00	0.625	0.480	0.030	7/16 - 20	0.52	3/16	1.38	0.22	0.7	0.03	0.78
FTRE-1.125-SS	1.125	0.75	0.437	1.00	0.625	0.480	0.030	7/16 - 20	0.52	3/16	1.50	0.22	0.7	0.03	0.78
FTRE-1.25-SS	1.250	0.81	0.500	1.25	0.687	0.605	0.030	1/2 - 20	0.65	3/16	1.56	0.22	0.8	0.03	0.84
FTRE-1.375-SS	1.375	0.81	0.500	1.25	0.687	0.605	0.030	1/2 - 20	0.65	3/16	1.69	0.22	0.8	0.03	0.84
FTRE-1.50-SS	1.500	1.13	0.625	1.50	0.875	0.730	0.030	5/8 - 18	0.77	5/16	2.19	0.34	1.1	0.06	1.19
FTRE-1.75-SS	1.750	1.13	0.750	1.75	1.000	0.855	0.030	3/4 - 16	0.90	5/16	2.44	0.34	1.3	0.06	1.19
FTRE-2.00-SS	2.000	1.63	0.875	2.00	1.187	0.980	0.030	7/8 - 14	1.02	5/16	2.69	0.59	1.5	0.06	1.69
FTRE-2.25-SS	2.250	1.63	0.875	2.00	1.187	0.980	0.030	7/8 - 14	1.02	5/16	2.94	0.59	1.5	0.06	1.69
FTRE-2.50-SS	2.500	1.63	1.000	2.25	1.375	1.105	0.030	1 - 14	1.15	3/8	3.19	0.59	1.7	0.06	1.69
FTRE-2.50E-SS	2.500	1.75	1.000	2.25	1.375	1.105	0.030	1 - 14	1.15	3/8	3.19	0.59	1.7	0.06	1.81
FTRE-2.75-SS	2.750	1.63	1.000	2.25	1.375	1.105	0.030	1 - 14	1.15	3/8	3.44	0.59	1.7	0.06	1.69
FTRE-2.75E-SS	2.750	1.75	1.000	2.25	1.375	1.105	0.030	1 - 14	1.15	3/8	3.44	0.59	1.7	0.06	1.81
FTRE-3.00A-SS	3.000	1.94	1.250	2.50	1.750	1.230	0.060	1 1/4 - 12	1.27	1/2	3.94	0.59	2.2	0.06	2.00
FTRE-3.00-SS	3.000	1.94	1.250	2.50	1.750	1.230	0.060	1 1/4 - 12	1.27	1/2	3.94	0.59	2.2	0.06	2.00
FTRE-3.25A-SS	3.250	1.94	1.250	2.50	1.750	1.230	0.060	1 1/4 - 12	1.27	1/2	4.19	0.59	2.2	0.06	2.00
FTRE-3.25-SS	3.250	1.94	1.250	2.50	1.750	1.230	0.060	1 1/4 - 12	1.27	1/2	4.19	0.59	2.2	0.06	2.00
FTRE-3.50A-SS	3.500	1.94	1.250	2.75	1.812	1.355	0.060	1 1/4 - 12	1.40	1/2	4.44	0.59	2.2	0.06	2.00
FTRE-3.50-SS	3.500	1.94	1.250	2.75	1.812	1.355	0.060	1 1/4 - 12	1.40	1/2	4.44	0.59	2.2	0.06	2.00
FTRE-4.00A-SS	4.000	1.94	1.250	2.75	1.812	1.355	0.060	1 1/4 - 12	1.40	1/2	4.94	0.59	2.2	0.06	2.00
FTRE-4.00-SS	4.000	1.94	1.250	2.75	1.812	1.355	0.060	1 1/4 - 12	1.40	1/2	4.94	0.59	2.2	0.06	2.00
FTRE-4.50-SS	4.500	1.94	1.250	2.75	1.812	1.355	0.060	1 1/4 - 12	1.40	1/2	5.44	0.59	2.2	0.06	2.00
FTRE-4.75-SS	4.750	1.94	1.250	2.75	1.812	1.355	0.060	1 1/4 - 12	1.40	1/2	5.75	0.59	2.2	0.06	2.00
FTRE-5.00-SS	5.000	2.94	2.000	4.50	2.625	2.125	0.060	2 - 12	2.38	5/8	5.94	0.72	3.3	0.06	3.00
FTRE-6.00-SS	6.000	2.94	2.500	5.50	3.125	2.875	0.060	2 1/2 - 12	2.63	5/8	6.94	0.72	3.6	0.06	3.00

# FTRE-SS Series Track Roller Assembly

Flanged – Stud Type Eccentric

316 Stainless Steel - Ball & Tapered Roller Bearings



(989)358-6148  
www.pcimfg.com



## ADDITIONAL NOTES

\*For lubricated threads, use half the maximum clamping torque value shown.

DGGB-SS: Deep Groove Ball Bearings – 440C Stainless Steel  
TRB: Tapered Roller Bearings – Alloy Steel

FEATURING ∞ INFINITY ROLLER™ TECHNOLOGY

Jam Nut & Lock Washer sets are available at an additional cost.

For regreasable provisions, add a “-R” to the end of the part number. (See “-R” page for specifications)

Specifications subject to change without notice.

Ask about the Stainless Steel “PLUS” Solution -SSP.

Stud Type Track Roller Part Number	Basic Radial Dynamic Load Rating (lbs) C	Basic Radial Static Load Rating (lbs) Co	Thrust Dynamic Load Rating (lbs)	Thrust Static Load Rating (lbs)	Stud Capacity (lbs)	Retaining Ring Capacity (lbs)	Max. Clamping Torque (in-lbs)*	Seal Type	Bearing Type	Approx. Roller Weight (lbs)
FTRE-1.00-SS	786	467	282	58	140	390	50	Fluorocarbon Lip	DGGB-SS	0.22
FTRE-1.125-SS	786	467	282	58	140	390	50	Fluorocarbon Lip	DGGB-SS	0.27
FTRE-1.25-SS	852	605	317	76	260	470	50	Fluorocarbon Lip	DGGB-SS	0.34
FTRE-1.375-SS	852	605	317	76	260	470	50	Fluorocarbon Lip	DGGB-SS	0.41
FTRE-1.50-SS	1,688	1,321	809	330	440	550	180	Fluorocarbon Lip	DGGB-SS	0.76
FTRE-1.75-SS	1,688	1,321	809	330	440	550	250	Fluorocarbon Lip	DGGB-SS	1.08
FTRE-2.00-SS	2,611	2,064	1,257	516	1,000	900	350	Fluorocarbon Lip	DGGB-SS	1.96
FTRE-2.25-SS	2,611	2,064	1,257	516	1,220	900	350	Fluorocarbon Lip	DGGB-SS	2.37
FTRE-2.50-SS	3,828	3,398	1,936	849	2,270	1,340	350	Fluorocarbon Lip	DGGB-SS	2.87
FTRE-2.50E-SS	10,880	7,630	4,010	4,570	2,150	-	350	Rubber Dual Lip	TRB	3.06
FTRE-2.75-SS	3,828	3,398	1,936	849	2,360	1,340	350	Fluorocarbon Lip	DGGB-SS	3.38
FTRE-2.75E-SS	10,880	7,630	4,010	4,570	2,240	-	350	Rubber Dual Lip	TRB	3.47
FTRE-3.00A-SS	7,102	5,081	3,287	1,270	3,900	1,950	1,500	Fluorocarbon Lip	DGGB-SS	5.15
FTRE-3.00-SS	14,300	20,000	5,790	12,000	3,900	-	650	Rubber Dual Lip	TRB	5.19
FTRE-3.25A-SS	7,102	5,081	3,287	1,270	3,900	1,950	1,500	Fluorocarbon Lip	DGGB-SS	5.85
FTRE-3.25-SS	14,300	20,000	5,790	12,000	3,900	-	650	Rubber Dual Lip	TRB	5.90
FTRE-3.50A-SS	7,102	5,081	3,287	1,270	3,900	1,950	1,500	Fluorocarbon Lip	DGGB-SS	6.81
FTRE-3.50-SS	14,300	20,000	5,790	12,000	3,900	-	650	Rubber Dual Lip	TRB	6.87
FTRE-4.00A-SS	7,102	5,081	3,287	1,270	3,900	1,950	1,500	Fluorocarbon Lip	DGGB-SS	8.48
FTRE-4.00-SS	14,300	20,000	5,790	12,000	3,900	-	650	Rubber Dual Lip	TRB	8.82
FTRE-4.50-SS	14,300	20,000	5,790	12,000	3,900	-	650	Rubber Dual Lip	TRB	10.52
FTRE-4.75-SS	14,300	20,000	5,790	12,000	3,900	-	650	Rubber Dual Lip	TRB	11.47
FTRE-5.00-SS	35,870	58,400	13,310	32,100	11,110	-	5,000	Rubber Dual Lip	TRB	21.62
FTRE-6.00-SS	35,830	56,200	14,150	32,900	21,700	-	5,000	Rubber Dual Lip	TRB	32.75

# FTRY-SS Series Track Roller Assembly

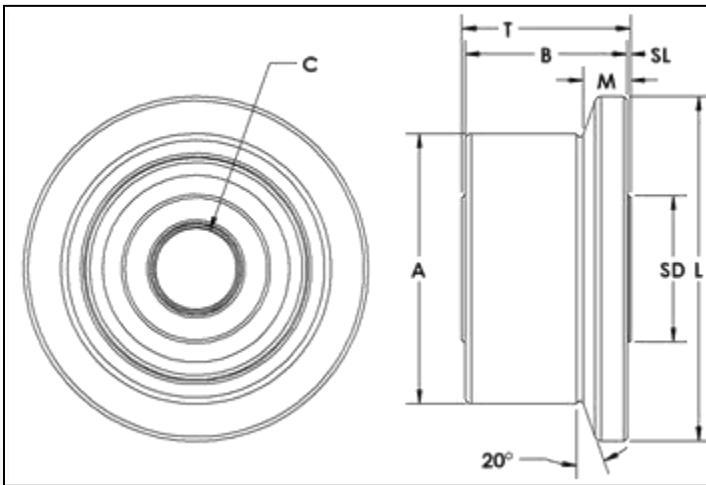
Flanged – Yoke Type

316 Stainless Steel - Ball & Tapered Roller Bearings



(989)358-6148

www.pcimfg.com



FEATURING  
∞ INFINITY ROLLER™  
TECHNOLOGY

Yoke Type Track Roller Part Number	A	B	C	L	M	SD	SL	T
	Roller Dia. +.000 -.001	Roller Width	Bore Dia. +.0007 -.0000	Flange Dia	Flange Width	Shoulder Dia.	Shoulder Length	Inner Race Width +.005 -.010
FTRY-1.50-SS	1.500	0.88	0.4380	2.19	0.22	0.9	0.03	0.937
FTRY-1.75-SS	1.750	1.00	0.5005	2.44	0.25	0.9	0.03	1.063
FTRY-2.00-SS	2.000	1.25	0.6255	2.69	0.31	1.1	0.03	1.313
FTRY-2.25-SS	2.250	1.25	0.6255	2.94	0.31	1.1	0.03	1.313
FTRY-2.50-SS	2.500	1.50	0.7505	3.19	0.50	1.2	0.03	1.563
FTRY-2.50E-SS	2.500	1.50	0.7505	3.19	0.50	1.3	0.03	1.563
FTRY-2.75-SS	2.750	1.50	0.7505	3.44	0.50	1.2	0.03	1.563
FTRY-2.75E-SS	2.750	1.50	0.7505	3.44	0.50	1.3	0.03	1.563
FTRY-3.00A-SS	3.000	1.75	1.0005	3.94	0.59	1.8	0.03	1.813
FTRY-3.00-SS	3.000	1.75	1.0005	3.94	0.59	1.8	0.03	1.813
FTRY-3.25A-SS	3.250	1.75	1.0005	4.19	0.59	1.8	0.03	1.813
FTRY-3.25-SS	3.250	1.75	1.0005	4.19	0.59	1.8	0.03	1.813
FTRY-3.50A-SS	3.500	2.00	1.1255	4.44	0.59	2.0	0.03	2.063
FTRY-3.50-SS	3.500	2.00	1.1255	4.44	0.59	2.0	0.03	2.063
FTRY-4.00A-SS	4.000	2.25	1.2505	4.94	0.59	2.0	0.03	2.313
FTRY-4.00-SS	4.000	2.25	1.2505	4.94	0.59	2.3	0.03	2.313
FTRY-5.00-SS	5.000	2.75	1.7508	5.94	0.72	3.2	0.06	2.875
FTRY-6.00-SS	6.000	3.25	2.2508	6.94	0.72	3.5	0.06	3.375

Optional PCI Yoke Shaft	Optional PCI Eccentric Yoke Shaft
YSH-.437-SS	YSHE-.437-SS
YSH-.500-SS	YSHE-.500-SS
YSH-.625-SS	YSHE-.625-SS
YSH-.625-SS	YSHE-.625-SS
YSH-.750-SS	YSHE-.750-SS
YSH-.750-SS	YSHE-.750-SS
YSH-.750-SS	YSHE-.750-SS
YSH-.750-SS	YSHE-.750-SS
YSH-.750-SS	YSHE-.750-SS
YSH-1.000-SS	YSHE-1.000-SS
YSH-1.000-SS	YSHE-1.000-SS
YSH-1.000-SS	YSHE-1.000-SS
YSH-1.000-SS	YSHE-1.000-SS
YSH-1.000-SS	YSHE-1.000-SS
YSH-1.125-SS	YSHE-1.125-SS
YSH-1.125-SS	YSHE-1.125-SS
YSH-1.250-SS	YSHE-1.250-SS
YSH-1.250-SS	YSHE-1.250-SS
YSH-1.250-SS	YSHE-1.250-SS
YSH-1.750-SS	YSHE-1.750-SS
YSH-2.250-SS	YSHE-2.250-SS



# FTRY-SS Series Track Roller Assembly

Flanged – Yoke Type

316 Stainless Steel - Ball & Tapered Roller Bearings



(989)358-6148

www.pcimfg.com



## ADDITIONAL NOTES

DGBB-SS: Deep Groove Ball Bearings – 440C Stainless Steel  
 TRB: Tapered Roller Bearings – Alloy Steel

FEATURING ∞ INFINITY ROLLER™ TECHNOLOGY

PCI Heavy Duty Yoke Shafts are available at an additional cost.  
 See YSH page for details.

For regreasable provisions, add a “-R” to the end of the part number. (See “FTRY-R” page for specifications)

Specifications subject to change without notice.

Ask about the Stainless Steel “PLUS” Solution -SSP.

Yoke Type Track Roller Part Number	Basic Radial Dynamic Load Rating (lbs) C	Basic Radial Static Load Rating (lbs) Co	Thrust Dynamic Load Rating (lbs)	Thrust Static Load Rating (lbs)	Seal Type	Bearing Type	Approx. Roller Weight (lbs)
FTRY-1.50-SS	1,276	1,114	641	278	Fluorocarbon Lip	DGBB-SS	0.37
FTRY-1.75-SS	1,276	1,114	641	278	Fluorocarbon Lip	DGBB-SS	0.59
FTRY-2.00-SS	2,565	2,168	1,270	542	Fluorocarbon Lip	DGBB-SS	1.07
FTRY-2.25-SS	2,565	2,168	1,270	542	Fluorocarbon Lip	DGBB-SS	1.40
FTRY-2.50-SS	3,828	3,398	1,936	849	Fluorocarbon Lip	DGBB-SS	1.84
FTRY-2.50E-SS	10,880	7,630	4,010	4,570	Rubber Dual Lip	TRB	1.92
FTRY-2.75-SS	3,828	3,398	1,936	849	Fluorocarbon Lip	DGBB-SS	2.37
FTRY-2.75E-SS	10,880	7,630	4,010	4,570	Rubber Dual Lip	TRB	2.39
FTRY-3.00A-SS	5,827	4,631	2,812	1,158	Fluorocarbon Lip	DGBB-SS	3.16
FTRY-3.00-SS	14,300	20,000	5,790	12,000	Rubber Dual Lip	TRB	3.38
FTRY-3.25A-SS	5,827	4,631	2,812	1,158	Fluorocarbon Lip	DGBB-SS	3.83
FTRY-3.25-SS	14,300	20,000	5,790	12,000	Rubber Dual Lip	TRB	4.03
FTRY-3.50A-SS	6,118	5,171	3,030	1,293	Fluorocarbon Lip	DGBB-SS	4.80
FTRY-3.50-SS	17,600	27,200	5,750	13,100	Rubber Dual Lip	TRB	5.16
FTRY-4.00A-SS	6,118	5,171	3,030	1,293	Fluorocarbon Lip	DGBB-SS	7.05
FTRY-4.00-SS	17,600	27,200	5,750	13,100	Rubber Dual Lip	TRB	7.72
FTRY-5.00-SS	35,870	58,400	13,310	32,100	Rubber Dual Lip	TRB	13.57
FTRY-6.00-SS	35,830	56,200	14,150	32,900	Rubber Dual Lip	TRB	21.49

# FFTR-SS Series Track Roller Assembly

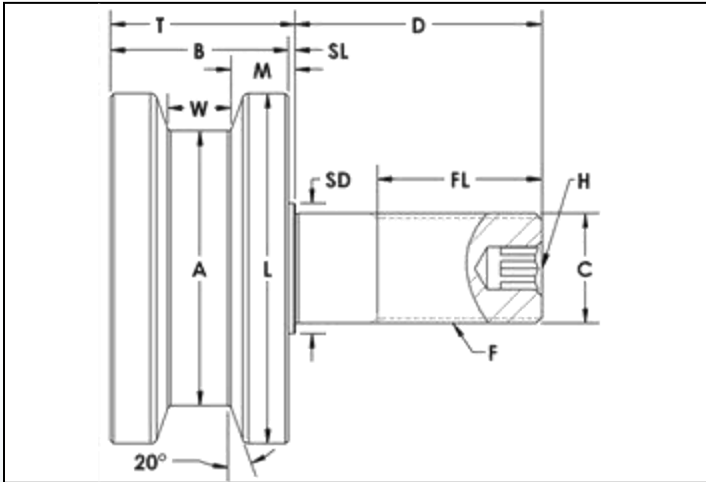
Double Flanged – Stud Type Concentric

316 Stainless Steel - Ball & Tapered Roller Bearings



(989)358-6148

www.pcimfg.com



FEATURING  
∞ INFINITY ROLLER™  
TECHNOLOGY

Stud Type Track Roller Part Number	A	B	C	D	F	FL	H	L	M	SD	SL	T	W
	Roller Dia.	Roller Width	Stud Dia. +.000 -.001	Stud Length	Thread Size	Thread Length	Hex Size	Flange Dia	Flange Width	Shoulder Dia.	Shoulder Length	Roller Width + Shoulder Length	Tread Width
FFTR-1.00-SS	1.00	0.75	0.437	1.00	7/16 - 20	0.50	3/16	1.38	0.22	0.5	0.03	0.78	0.37
FFTR-1.125-SS	1.13	0.75	0.437	1.00	7/16 - 20	0.50	3/16	1.50	0.22	0.5	0.03	0.78	0.37
FFTR-1.25-SS	1.25	0.81	0.500	1.25	1/2 - 20	0.63	3/16	1.56	0.22	0.6	0.03	0.84	0.43
FFTR-1.375-SS	1.38	0.81	0.500	1.25	1/2 - 20	0.63	3/16	1.69	0.22	0.6	0.03	0.84	0.43
FFTR-1.50-SS	1.50	1.13	0.625	1.50	5/8 - 18	0.75	5/16	2.19	0.34	0.8	0.06	1.19	0.57
FFTR-1.75-SS	1.75	1.13	0.750	1.75	3/4 - 16	0.88	5/16	2.44	0.34	0.9	0.06	1.19	0.57
FFTR-2.00-SS	2.00	1.63	0.875	2.00	7/8 - 14	1.13	5/16	2.69	0.59	1.0	0.06	1.69	0.57
FFTR-2.25-SS	2.25	1.63	0.875	2.00	7/8 - 14	1.13	5/16	2.94	0.59	1.0	0.06	1.69	0.57
FFTR-2.50-SS	2.50	1.63	1.000	2.25	1 - 14	1.50	3/8	3.19	0.59	1.2	0.06	1.69	0.57
FFTR-2.50E-SS	2.50	1.75	1.000	2.25	1 - 14	1.50	3/8	3.19	0.59	1.3	0.06	1.81	0.69
FFTR-2.75-SS	2.75	1.63	1.000	2.25	1 - 14	1.50	3/8	3.44	0.59	1.2	0.06	1.69	0.57
FFTR-2.75E-SS	2.75	1.75	1.000	2.25	1 - 14	1.50	3/8	3.44	0.59	1.3	0.06	1.81	0.69
FFTR-3.00A-SS	3.00	1.94	1.250	2.50	1 1/4 - 12	1.75	1/2	3.94	0.59	1.5	0.06	2.00	0.88
FFTR-3.00-SS	3.00	1.94	1.250	2.50	1 1/4 - 12	1.75	1/2	3.94	0.59	1.8	0.06	2.00	0.88
FFTR-3.25A-SS	3.25	1.94	1.250	2.50	1 1/4 - 12	1.75	1/2	4.19	0.59	1.5	0.06	2.00	0.88
FFTR-3.25-SS	3.25	1.94	1.250	2.50	1 1/4 - 12	1.75	1/2	4.19	0.59	1.8	0.06	2.00	0.88
FFTR-3.50A-SS	3.50	1.94	1.250	2.75	1 1/4 - 12	1.75	1/2	4.44	0.59	1.5	0.06	2.00	0.88
FFTR-3.50-SS	3.50	1.94	1.250	2.75	1 1/4 - 12	1.75	1/2	4.44	0.59	1.8	0.06	2.00	0.88
FFTR-4.00A-SS	4.00	1.94	1.250	2.75	1 1/4 - 12	1.75	1/2	4.94	0.59	1.5	0.06	2.00	0.88
FFTR-4.00-SS	4.00	1.94	1.250	2.75	1 1/4 - 12	1.75	1/2	4.94	0.59	1.8	0.06	2.00	0.88
FFTR-4.50-SS	4.50	1.94	1.250	2.75	1 1/4 - 12	1.75	1/2	5.44	0.59	1.8	0.06	2.00	0.88
FFTR-4.75-SS	4.75	1.94	1.250	2.75	1 1/4 - 12	1.75	1/2	5.75	0.59	1.8	0.06	2.00	0.88
FFTR-5.00-SS	5.00	2.94	2.000	4.50	2 - 12	2.50	5/8	5.94	0.72	3.0	0.06	3.00	1.62
FFTR-6.00-SS	6.00	2.94	2.500	5.50	2 1/2 - 12	3.25	5/8	6.94	0.72	3.5	0.06	3.00	1.62

# FFTR-SS Series Track Roller Assembly

Double Flanged – Stud Type Concentric

316 Stainless Steel - Ball & Tapered Roller Bearings



(989)358-6148

www.pcimfg.com



## ADDITIONAL NOTES

\*For lubricated threads, use half the maximum clamping torque value shown.

DGBB-SS: Deep Groove Ball Bearings – 440C Stainless Steel  
TRB: Tapered Roller Bearings – Alloy Steel

FEATURING ∞ INFINITY ROLLER™ TECHNOLOGY

Jam Nut & Lock Washer sets are available at an additional cost.

For regreaseable provisions, add a “-R” to the end of the part number. (See “-R” page for specifications)

Specifications subject to change without notice.

Ask about the Stainless Steel “PLUS” Solution -SSP.

Stud Type Track Roller Part Number	Basic Radial Dynamic Load Rating (lbs) C	Basic Radial Static Load Rating (lbs) Co	Thrust Dynamic Load Rating (lbs)	Thrust Static Load Rating (lbs)	Stud Capacity (lbs)	Retaining Ring Capacity (lbs)	Max. Clamping Torque (in-lbs)*	Seal Type	Bearing Type	Approx. Roller Weight (lbs)
FFTR-1.00-SS	786	467	282	58	140	390	50	Fluorocarbon Lip	DGBB-SS	0.23
FFTR-1.125-SS	786	467	282	58	140	390	50	Fluorocarbon Lip	DGBB-SS	0.28
FFTR-1.25-SS	852	605	317	76	260	470	50	Fluorocarbon Lip	DGBB-SS	0.34
FFTR-1.375-SS	852	605	317	76	260	470	50	Fluorocarbon Lip	DGBB-SS	0.41
FFTR-1.50-SS	1,688	1,321	809	330	440	550	180	Fluorocarbon Lip	DGBB-SS	0.81
FFTR-1.75-SS	1,688	1,321	809	330	440	550	250	Fluorocarbon Lip	DGBB-SS	1.14
FFTR-2.00-SS	2,611	2,064	1,257	516	1,000	900	350	Fluorocarbon Lip	DGBB-SS	2.15
FFTR-2.25-SS	2,611	2,064	1,257	516	1,220	900	350	Fluorocarbon Lip	DGBB-SS	2.61
FFTR-2.50-SS	3,828	3,398	1,936	849	2,270	1,340	350	Fluorocarbon Lip	DGBB-SS	3.16
FFTR-2.50E-SS	10,880	7,630	4,010	4,570	2,150	-	350	Rubber Dual Lip	TRB	3.31
FFTR-2.75-SS	3,828	3,398	1,936	849	2,360	1,340	350	Fluorocarbon Lip	DGBB-SS	3.72
FFTR-2.75E-SS	10,880	7,630	4,010	4,570	2,240	-	350	Rubber Dual Lip	TRB	3.90
FFTR-3.00A-SS	7,102	5,081	3,287	1,270	3,900	1,950	1,500	Fluorocarbon Lip	DGBB-SS	5.25
FFTR-3.00-SS	14,300	20,000	5,790	12,000	3,900	-	650	Rubber Dual Lip	TRB	5.46
FFTR-3.25A-SS	7,102	5,081	3,287	1,270	3,900	1,950	1,500	Fluorocarbon Lip	DGBB-SS	5.89
FFTR-3.25-SS	14,300	20,000	5,790	12,000	3,900	-	650	Rubber Dual Lip	TRB	6.24
FFTR-3.50A-SS	7,102	5,081	3,287	1,270	3,900	1,950	1,500	Fluorocarbon Lip	DGBB-SS	6.78
FFTR-3.50-SS	14,300	20,000	5,790	12,000	3,900	-	650	Rubber Dual Lip	TRB	7.17
FFTR-4.00A-SS	7,102	5,081	3,287	1,270	3,900	1,950	1,500	Fluorocarbon Lip	DGBB-SS	8.55
FFTR-4.00-SS	14,300	20,000	5,790	12,000	3,900	-	650	Rubber Dual Lip	TRB	9.01
FFTR-4.50-SS	14,300	20,000	5,790	12,000	3,900	-	650	Rubber Dual Lip	TRB	10.76
FFTR-4.75-SS	14,300	20,000	5,790	12,000	3,900	-	650	Rubber Dual Lip	TRB	12.25
FFTR-5.00-SS	35,870	58,400	13,310	32,100	11,110	-	5,000	Rubber Dual Lip	TRB	21.39
FFTR-6.00-SS	35,830	56,200	14,150	32,900	21,700	-	5,000	Rubber Dual Lip	TRB	31.82

# FFTRE-SS Series Track Roller Assembly

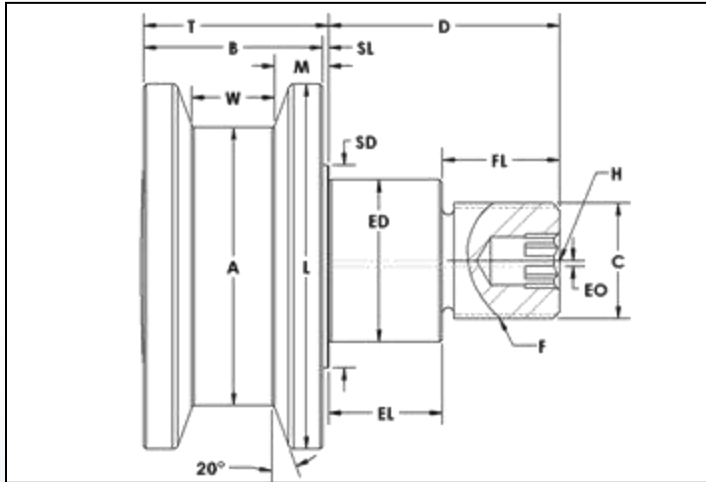
Double Flanged – Stud Type Eccentric

316 Stainless Steel - Ball & Tapered Roller Bearings



(989)358-6148

www.pcimfg.com



FEATURING  
∞ INFINITY ROLLER™  
TECHNOLOGY

Stud Type Track Roller Part Number	A	B	C	D	ED	EL	EO	F	FL	H	L	M	SD	SL	T	W
	Roller Dia.	Roller Width	Stud Dia.	Stud Length	Ecc Dia +.000 -.002	Ecc Length	Ecc Offset	Thread Size	Thread Length	Hex Size	Flange Dia	Flange Width	Shld Dia.	Shld Length	Roller Width + Shoulder Length	Tread Width
FFTRE-1.00-SS	1.00	0.75	0.437	1.00	0.625	0.48	0.03	7/16 - 20	0.52	3/16	1.38	0.22	0.7	0.03	0.78	0.37
FFTRE-1.125-SS	1.13	0.75	0.437	1.00	0.625	0.48	0.03	7/16 - 20	0.52	3/16	1.50	0.22	0.7	0.03	0.78	0.37
FFTRE-1.25-SS	1.25	0.81	0.500	1.25	0.687	0.61	0.03	1/2 - 20	0.65	3/16	1.56	0.22	0.8	0.03	0.84	0.43
FFTRE-1.375-SS	1.38	0.81	0.500	1.25	0.687	0.61	0.03	1/2 - 20	0.65	3/16	1.69	0.22	0.8	0.03	0.84	0.43
FFTRE-1.50-SS	1.50	1.13	0.625	1.50	0.875	0.73	0.03	5/8 - 18	0.77	5/16	2.19	0.34	1.1	0.06	1.19	0.57
FFTRE-1.75-SS	1.75	1.13	0.750	1.75	1.000	0.86	0.03	3/4 - 16	0.90	5/16	2.44	0.34	1.3	0.06	1.19	0.57
FFTRE-2.00-SS	2.00	1.63	0.875	2.00	1.187	0.98	0.03	7/8 - 14	1.02	5/16	2.69	0.59	1.5	0.06	1.69	0.57
FFTRE-2.25-SS	2.25	1.63	0.875	2.00	1.187	0.98	0.03	7/8 - 14	1.02	5/16	2.94	0.59	1.5	0.06	1.69	0.57
FFTRE-2.50-SS	2.50	1.63	1.000	2.25	1.375	1.11	0.03	1 - 14	1.15	3/8	3.19	0.59	1.7	0.06	1.69	0.57
FFTRE-2.50E-SS	2.50	1.75	1.000	2.25	1.375	1.11	0.03	1 - 14	1.15	3/8	3.19	0.59	1.7	0.06	1.81	0.69
FFTRE-2.75-SS	2.75	1.63	1.000	2.25	1.375	1.11	0.03	1 - 14	1.15	3/8	3.44	0.59	1.7	0.06	1.69	0.57
FFTRE-2.75E-SS	2.75	1.75	1.000	2.25	1.375	1.11	0.03	1 - 14	1.15	3/8	3.44	0.59	1.7	0.06	1.81	0.69
FFTRE-3.00A-SS	3.00	1.94	1.250	2.50	1.750	1.23	0.06	1 1/4 - 12	1.27	1/2	3.94	0.59	2.2	0.06	2.00	0.88
FFTRE-3.00-SS	3.00	1.94	1.250	2.50	1.750	1.23	0.06	1 1/4 - 12	1.27	1/2	3.94	0.59	2.2	0.06	2.00	0.88
FFTRE-3.25A-SS	3.25	1.94	1.250	2.50	1.750	1.23	0.06	1 1/4 - 12	1.27	1/2	4.19	0.59	2.2	0.06	2.00	0.88
FFTRE-3.25-SS	3.25	1.94	1.250	2.50	1.750	1.23	0.06	1 1/4 - 12	1.27	1/2	4.19	0.59	2.2	0.06	2.00	0.88
FFTRE-3.50A-SS	3.50	1.94	1.250	2.75	1.812	1.36	0.06	1 1/4 - 12	1.40	1/2	4.44	0.59	2.2	0.06	2.00	0.88
FFTRE-3.50-SS	3.50	1.94	1.250	2.75	1.812	1.36	0.06	1 1/4 - 12	1.40	1/2	4.44	0.59	2.2	0.06	2.00	0.88
FFTRE-4.00A-SS	4.00	1.94	1.250	2.75	1.812	1.36	0.06	1 1/4 - 12	1.40	1/2	4.94	0.59	2.2	0.06	2.00	0.88
FFTRE-4.00-SS	4.00	1.94	1.250	2.75	1.812	1.36	0.06	1 1/4 - 12	1.40	1/2	4.94	0.59	2.2	0.06	2.00	0.88
FFTRE-4.50-SS	4.50	1.94	1.250	2.75	1.812	1.36	0.06	1 1/4 - 12	1.40	1/2	5.44	0.59	2.2	0.06	2.00	0.88
FFTRE-4.75-SS	4.75	1.94	1.250	2.75	1.812	1.36	0.06	1 1/4 - 12	1.40	1/2	5.75	0.59	2.2	0.06	2.00	0.88
FFTRE-5.00-SS	5.00	2.94	2.000	4.50	2.625	2.13	0.06	2 - 12	2.38	5/8	5.94	0.72	3.3	0.06	3.00	1.62
FFTRE-6.00-SS	6.00	2.94	2.500	5.50	3.125	2.88	0.06	2 1/2 - 12	2.63	5/8	6.94	0.72	3.6	0.06	3.00	1.62

# FFTRE-SS Series Track Roller Assembly

Double Flanged – Stud Type Eccentric

316 Stainless Steel - Ball & Tapered Roller Bearings



(989)358-6148

www.pcimfg.com



## ADDITIONAL NOTES

\*For lubricated threads, use half the maximum clamping torque value shown.

DGBB-SS: Deep Groove Ball Bearings – 440C Stainless Steel  
TRB: Tapered Roller Bearings – Alloy Steel

FEATURING ∞ INFINITY ROLLER™ TECHNOLOGY

Jam Nut & Lock Washer sets are available at an additional cost.

For regreasable provisions, add a “-R” to the end of the part number. (See “-R” page for specifications)

Specifications subject to change without notice.

Ask about the Stainless Steel “PLUS” Solution -SSP.

Stud Type Track Roller Part Number	Basic Radial Dynamic Load Rating (lbs) C	Basic Radial Static Load Rating (lbs) Co	Thrust Dynamic Load Rating (lbs)	Thrust Static Load Rating (lbs)	Stud Capacity (lbs)	Retaining Ring Capacity (lbs)	Max. Clamping Torque (in-lbs)*	Seal Type	Bearing Type	Approx. Roller Weight (lbs)
FFTRE-1.00-SS	786	467	282	58	140	390	50	Fluorocarbon Lip	DGBB-SS	0.25
FFTRE-1.125-SS	786	467	282	58	140	390	50	Fluorocarbon Lip	DGBB-SS	0.31
FFTRE-1.25-SS	852	605	317	76	260	470	50	Fluorocarbon Lip	DGBB-SS	0.36
FFTRE-1.375-SS	852	605	317	76	260	470	50	Fluorocarbon Lip	DGBB-SS	0.45
FFTRE-1.50-SS	1,688	1,321	809	330	440	550	180	Fluorocarbon Lip	DGBB-SS	0.91
FFTRE-1.75-SS	1,688	1,321	809	330	440	550	250	Fluorocarbon Lip	DGBB-SS	1.25
FFTRE-2.00-SS	2,611	2,064	1,257	516	1,000	900	350	Fluorocarbon Lip	DGBB-SS	2.29
FFTRE-2.25-SS	2,611	2,064	1,257	516	1,000	900	350	Fluorocarbon Lip	DGBB-SS	2.80
FFTRE-2.50-SS	3,828	3,398	1,936	849	2,270	1,340	350	Fluorocarbon Lip	DGBB-SS	3.48
FFTRE-2.50E-SS	10,880	7,630	4,010	4,570	2,150	-	350	Rubber Dual Lip	TRB	3.67
FFTRE-2.75-SS	3,828	3,398	1,936	849	2,360	1,340	350	Fluorocarbon Lip	DGBB-SS	3.98
FFTRE-2.75E-SS	10,880	7,630	4,010	4,570	2,240	-	350	Rubber Dual Lip	TRB	4.16
FFTRE-3.00A-SS	7,102	5,081	3,287	1,270	3,900	1,950	1,500	Fluorocarbon Lip	DGBB-SS	5.77
FFTRE-3.00-SS	14,300	20,000	5,790	12,000	3,900	-	650	Rubber Dual Lip	TRB	5.81
FFTRE-3.25A-SS	7,102	5,081	3,287	1,270	3,900	1,950	1,500	Fluorocarbon Lip	DGBB-SS	6.40
FFTRE-3.25-SS	14,300	20,000	5,790	12,000	3,900	-	650	Rubber Dual Lip	TRB	6.45
FFTRE-3.50A-SS	7,102	5,081	3,287	1,270	3,900	1,950	1,500	Fluorocarbon Lip	DGBB-SS	7.57
FFTRE-3.50-SS	14,300	20,000	5,790	12,000	3,900	-	650	Rubber Dual Lip	TRB	7.75
FFTRE-4.00A-SS	7,102	5,081	3,287	1,270	3,900	1,950	1,500	Fluorocarbon Lip	DGBB-SS	9.11
FFTRE-4.00-SS	14,300	20,000	5,790	12,000	3,900	-	650	Rubber Dual Lip	TRB	9.61
FFTRE-4.50-SS	14,300	20,000	5,790	12,000	3,900	-	650	Rubber Dual Lip	TRB	11.34
FFTRE-4.75-SS	14,300	20,000	5,790	12,000	3,900	-	650	Rubber Dual Lip	TRB	12.50
FFTRE-5.00-SS	35,870	58,400	13,310	32,100	11,110	-	5,000	Rubber Dual Lip	TRB	22.79
FFTRE-6.00-SS	35,830	56,200	14,150	32,900	21,700	-	5,000	Rubber Dual Lip	TRB	33.85

# FFTRY-SS Series Track Roller Assembly

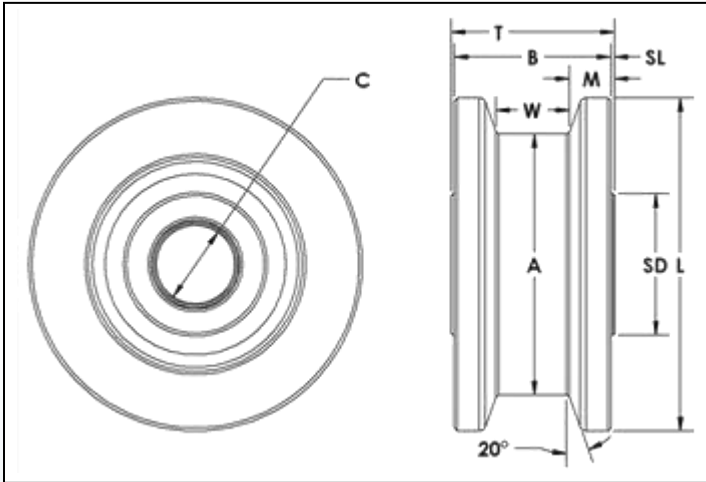
Double Flanged – Yoke Type

316 Stainless Steel - Ball & Tapered Roller Bearings



(989)358-6148

www.pcimfg.com



FEATURING  
∞ INFINITY ROLLER™  
TECHNOLOGY

Yoke Type Track Roller Part Number	A	B	C	L	M	SD	SL	T	W
	Roller Dia.	Roller Width	Bore Dia. +.0007 -.0000	Flange Dia	Flange Width	Shoulder Dia.	Shoulder Length	Inner Race Width +.005 -.010	Tread Width
FFTRY-1.50-SS	1.50	0.88	0.4380	2.19	0.22	0.9	0.03	0.937	0.50
FFTRY-1.75-SS	1.75	1.00	0.5005	2.44	0.25	0.9	0.03	1.063	0.56
FFTRY-2.00-SS	2.00	1.25	0.6255	2.69	0.31	1.1	0.03	1.313	0.69
FFTRY-2.25-SS	2.25	1.25	0.6255	2.94	0.31	1.1	0.03	1.313	0.69
FFTRY-2.50-SS	2.50	1.50	0.7505	3.19	0.50	1.2	0.03	1.563	0.56
FFTRY-2.50E-SS	2.50	1.50	0.7505	3.19	0.50	1.3	0.03	1.563	0.56
FFTRY-2.75-SS	2.75	1.50	0.7505	3.44	0.50	1.2	0.03	1.563	0.56
FFTRY-2.75E-SS	2.75	1.50	0.7505	3.44	0.50	1.3	0.03	1.563	0.56
FFTRY-3.00A-SS	3.00	1.75	1.0005	3.94	0.59	1.8	0.03	1.813	0.63
FFTRY-3.00-SS	3.00	1.75	1.0005	3.94	0.59	1.8	0.03	1.813	0.63
FFTRY-3.25A-SS	3.25	1.75	1.0005	4.19	0.59	1.8	0.03	1.813	0.63
FFTRY-3.25-SS	3.25	1.75	1.0005	4.19	0.59	1.8	0.03	1.813	0.63
FFTRY-3.50A-SS	3.50	2.00	1.1255	4.44	0.59	2.0	0.03	2.063	0.88
FFTRY-3.50-SS	3.50	2.00	1.1255	4.44	0.59	2.0	0.03	2.063	0.88
FFTRY-4.00A-SS	4.00	2.25	1.2505	4.94	0.59	2.0	0.03	2.313	1.13
FFTRY-4.00-SS	4.00	2.25	1.2505	4.94	0.59	2.0	0.03	2.313	1.13
FFTRY-5.00-SS	5.00	2.75	1.7508	5.94	0.72	3.2	0.06	2.875	1.44
FFTRY-6.00-SS	6.00	3.25	2.2508	6.94	0.72	3.5	0.06	3.375	1.94

Optional PCI Yoke Shaft	Optional PCI Eccentric Yoke Shaft
YSH-.437-SS	YSHE-.437-SS
YSH-.500-SS	YSHE-.500-SS
YSH-.625-SS	YSHE-.625-SS
YSH-.625-SS	YSHE-.625-SS
YSH-.750-SS	YSHE-.750-SS
YSH-.750-SS	YSHE-.750-SS
YSH-.750-SS	YSHE-.750-SS
YSH-.750-SS	YSHE-.750-SS
YSH-1.000-SS	YSHE-1.000-SS
YSH-1.000-SS	YSHE-1.000-SS
YSH-1.000-SS	YSHE-1.000-SS
YSH-1.000-SS	YSHE-1.000-SS
YSH-1.000-SS	YSHE-1.000-SS
YSH-1.125-SS	YSHE-1.125-SS
YSH-1.125-SS	YSHE-1.125-SS
YSH-1.250-SS	YSHE-1.250-SS
YSH-1.250-SS	YSHE-1.250-SS
YSH-1.250-SS	YSHE-1.250-SS
YSH-1.750-SS	YSHE-1.750-SS
YSH-2.250-SS	YSHE-2.250-SS

# FFTRY-SS Series Track Roller Assembly

Double Flanged – Yoke Type

316 Stainless Steel - Ball & Tapered Roller Bearings



(989)358-6148

www.pcimfg.com



## ADDITIONAL NOTES

DGBB-SS: Deep Groove Ball Bearings – 440C Stainless Steel

TRB: Tapered Roller Bearings – Alloy Steel

FEATURING ∞ INFINITY ROLLER™ TECHNOLOGY

PCI Heavy Duty Yoke Shafts are available at an additional cost. See YSH page for details.

For regreasable provisions, add a “-R” to the end of the part number. (See “FFTRY-R” page for specifications)

Specifications subject to change without notice.

Ask about the Stainless Steel “PLUS” Solution -SSP.

Yoke Type Track Roller Part Number	Basic Radial Dynamic Load Rating (lbs) C	Basic Radial Static Load Rating (lbs) Co	Thrust Dynamic Load Rating (lbs)	Thrust Static Load Rating (lbs)	Seal Type	Bearing Type	Approx. Roller Weight (lbs)
FFTRY-1.50-SS	1,276	1,114	641	278	Fluorocarbon Lip	DGBB-SS	0.45
FFTRY-1.75-SS	1,276	1,114	641	278	Fluorocarbon Lip	DGBB-SS	0.71
FFTRY-2.00-SS	2,565	2,168	1,270	542	Fluorocarbon Lip	DGBB-SS	1.32
FFTRY-2.25-SS	2,565	2,168	1,270	542	Fluorocarbon Lip	DGBB-SS	1.67
FFTRY-2.50-SS	3,828	3,398	1,936	849	Fluorocarbon Lip	DGBB-SS	2.19
FFTRY-2.50E-SS	10,880	7,630	4,010	4,570	Rubber Dual Lip	TRB	2.23
FFTRY-2.75-SS	3,828	3,398	1,936	849	Fluorocarbon Lip	DGBB-SS	2.69
FFTRY-2.75E-SS	10,880	7,630	4,010	4,570	Rubber Dual Lip	TRB	2.73
FFTRY-3.00A-SS	5,827	4,631	2,812	1,158	Fluorocarbon Lip	DGBB-SS	3.86
FFTRY-3.00-SS	14,300	20,000	5,790	12,000	Rubber Dual Lip	TRB	4.06
FFTRY-3.25A-SS	5,827	4,631	2,812	1,158	Fluorocarbon Lip	DGBB-SS	4.44
FFTRY-3.25-SS	14,300	20,000	5,790	12,000	Rubber Dual Lip	TRB	4.69
FFTRY-3.50A-SS	6,118	5,171	3,030	1,293	Fluorocarbon Lip	DGBB-SS	5.43
FFTRY-3.50-SS	17,600	27,200	5,750	13,100	Rubber Dual Lip	TRB	5.79
FFTRY-4.00A-SS	6,118	5,171	3,030	1,293	Fluorocarbon Lip	DGBB-SS	8.16
FFTRY-4.00-SS	17,600	27,200	5,750	13,100	Rubber Dual Lip	TRB	8.55
FFTRY-5.00-SS	35,870	58,400	13,310	32,100	Rubber Dual Lip	TRB	14.80
FFTRY-6.00-SS	35,830	56,200	14,150	32,900	Rubber Dual Lip	TRB	22.94

# VTR-SS Series Track Roller Assembly

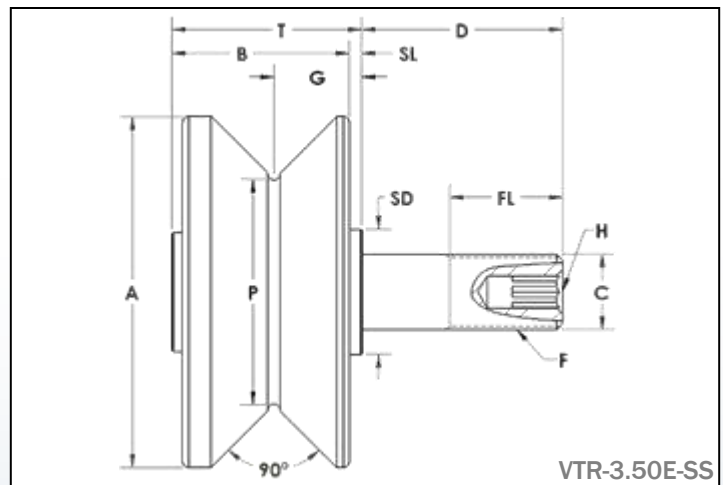
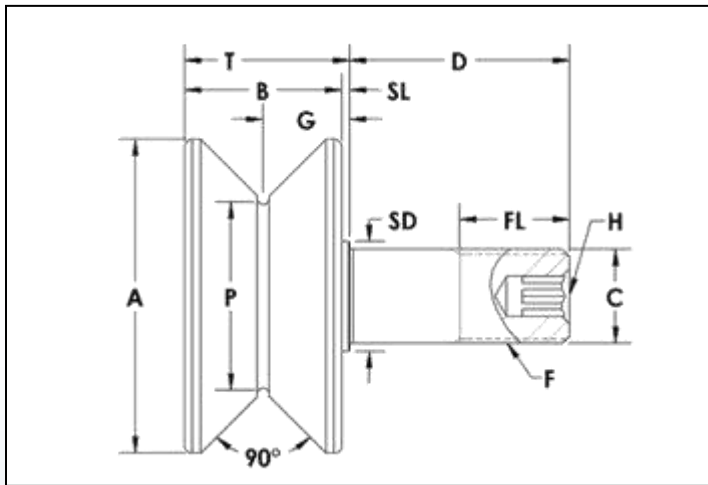
V-Grooved – Stud Type Concentric

316 Stainless Steel - Ball & Tapered Roller Bearings



(989)358-6148

www.pcimfg.com



VTR-3.50E-SS

Stud Type Track Roller Part Number	A	B	C	D	F	FL	G	H	P	SD	SL	T
	Roller Dia.	Roller Width	Stud Dia. +.000 -.001	Stud Length	Thread Size	Thread Length	Groove Center	Hex Size	Point Dia. +.000 -.001	Shoulder Dia.	Shoulder Length	Roller Width + Shoulder Length
VTR-1.50-SS	1.50	0.75	0.437	1.00	7/16 - 20	0.50	0.39	3/16	1.125	0.5	0.03	0.78
VTR-2.00-SS	2.00	0.81	0.500	1.25	1/2 - 20	0.63	0.42	3/16	1.375	0.6	0.03	0.84
VTR-2.50-SS	2.50	1.25	0.750	1.75	3/4 - 16	0.88	0.69	5/16	1.500	0.9	0.06	1.31
VTR-3.50-SS	3.50	1.63	0.875	2.00	7/8 - 14	1.13	0.88	5/16	2.250	1.0	0.06	1.69
VTR-3.50E-SS*	3.50	1.65	0.750	2.00	3/4 - 16	1.13	0.88	5/16	2.250	0.9	0.13	1.90†
VTR-4.50A-SS	4.50	1.94	1.250	2.50	1 1/4 - 12	1.75	1.00	1/2	3.000	1.5	0.06	2.00
VTR-4.50-SS	4.50	1.94	1.250	2.50	1 1/4 - 12	1.75	1.00	1/2	3.000	1.8	0.06	2.00
VTR-5.50A-SS	5.50	1.94	1.250	2.75	1 1/4 - 12	1.75	1.00	1/2	4.000	1.5	0.06	2.00
VTR-5.50-SS	5.50	1.94	1.250	2.75	1 1/4 - 12	1.75	1.00	1/2	4.000	1.8	0.06	2.00
VTR-6.50-SS	6.50	2.94	2.000	4.50	2 - 12	2.50	1.50	5/8	5.000	3.0	0.06	3.00
VTR-7.50-SS	7.50	2.94	2.500	5.50	2 1/2 - 12	3.25	1.50	5/8	6.000	3.5	0.06	3.00

\* VTR-3.50E-SS is designed with stud extending 7/64" from end of roller. Design does not incorporate a dust cover. Ask about dual direction Crowned V-groove Track Rollers with R<sup>3</sup>™ Technology (CVTR).



# VTR-SS Series Track Roller Assembly

V-Grooved – Stud Type Concentric

316 Stainless Steel - Ball & Tapered Roller Bearings



(989)358-6148

www.pcimfg.com



## ADDITIONAL NOTES

\*For lubricated threads, use half the maximum clamping torque value shown.

DGBB-SS: Deep Groove Ball Bearings – 440C Stainless Steel  
 TRB: Tapered Roller Bearings – Alloy Steel

FEATURING ∞ INFINITY ROLLER™ TECHNOLOGY

Jam Nut & Lock Washer sets are available at an additional cost.

For regreasable provisions, add a “-R” to the end of the part number. (See “-R” page for specifications)

Specifications subject to change without notice.

Ask about the Stainless Steel “PLUS” Solution -SSP.

Stud Type Track Roller Part Number	Basic Radial Dynamic Load Rating (lbs) C	Basic Radial Static Load Rating (lbs) Co	Thrust Dynamic Load Rating (lbs)	Thrust Static Load Rating (lbs)	Stud Capacity (lbs)	Retaining Ring Capacity (lbs)	Max. Clamping Torque (in-lbs)*	Seal Type	Bearing Type	Approx. Roller Weight (lbs)
VTR-1.50-SS	786	467	282	58	190	390	50	Fluorocarbon Lip	DGBB-SS	0.33
VTR-2.00-SS	852	605	317	76	230	470	50	Fluorocarbon Lip	DGBB-SS	0.56
VTR-2.50-SS	1,688	1,321	809	330	390	550	250	Fluorocarbon Lip	DGBB-SS	1.31
VTR-3.50-SS	2,611	2,064	1,257	516	1,610	900	650	Fluorocarbon Lip	DGBB-SS	3.44
VTR-3.50E-SS*	11,957	7,200	3,540	3,150	1,220	-	250	Rubber Dual Lip	TRB	3.40
VTR-4.50A-SS	7,102	5,081	3,287	1,270	5,050	1,950	1,500	Fluorocarbon Lip	DGBB-SS	6.85
VTR-4.50-SS	14,300	20,000	5,790	12,000	5,050	-	650	Rubber Dual Lip	TRB	6.88
VTR-5.50A-SS	7,102	5,081	3,287	1,270	5,050	1,950	1,500	Fluorocarbon Lip	DGBB-SS	10.82
VTR-5.50-SS	14,300	20,000	5,790	12,000	5,050	-	650	Rubber Dual Lip	TRB	11.04
VTR-6.50-SS	35,870	58,400	13,310	32,100	13,780	-	5,000	Rubber Dual Lip	TRB	27.42
VTR-7.50-SS	35,830	56,200	14,150	32,900	26,910	-	5,000	Rubber Dual Lip	TRB	39.14

# VTRE-SS Series Track Roller Assembly

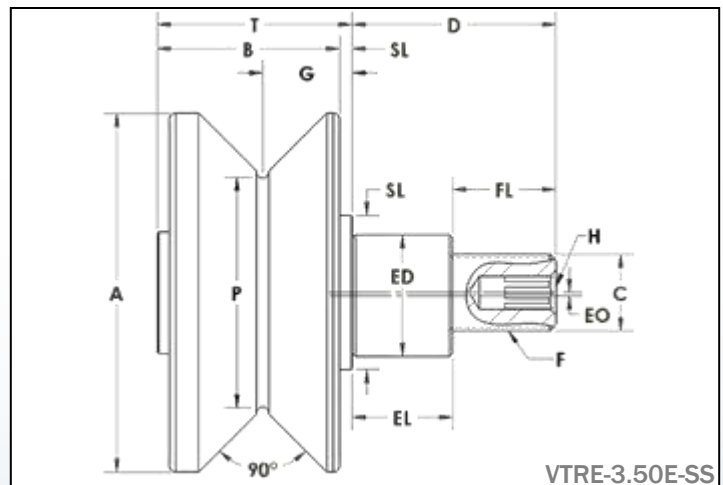
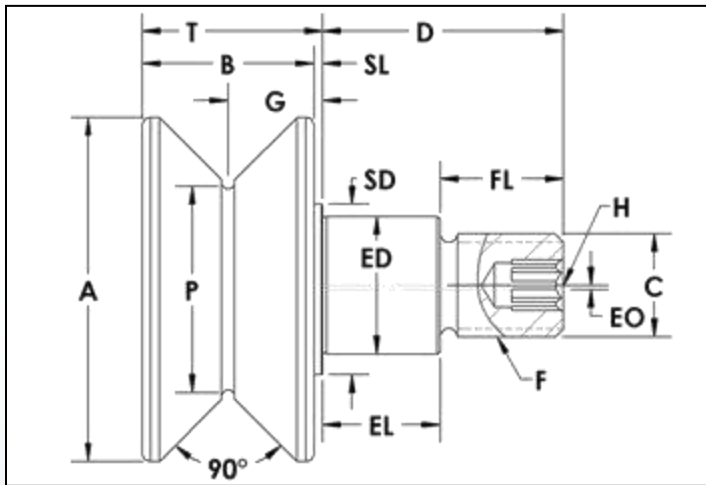
V-Grooved – Stud Type Eccentric

316 Stainless Steel - Ball & Tapered Roller Bearings



(989)358-6148

www.pcimfg.com



VTRE-3.50E-SS

Stud Type Track Roller Part Number	A	B	C	D	ED	EL	EO	F	FL	G	H	P	SD	SL	T
	Roller Dia.	Roller Width	Stud Dia. +0.000 -0.001	Stud Length	Ecc Dia +0.000 -0.002	Ecc Length	Ecc Offset	Thread Size	Thread Length	Groove Center	Hex Size	Point Dia. +0.000 -0.001	Shoulder Dia.	Shoulder Length	Roller Width + Shoulder Length
VTRE-1.50-SS	1.50	0.75	0.437	1.00	0.625	0.48	0.03	7/16 - 20	0.50	0.39	3/16	1.125	0.7	0.03	0.78
VTRE-2.00-SS	2.00	0.81	0.500	1.25	0.687	0.61	0.03	1/2 - 20	0.63	0.42	3/16	1.375	0.8	0.03	0.84
VTRE-2.50-SS	2.50	1.25	0.750	1.75	1.000	0.86	0.03	3/4 - 16	0.88	0.69	5/16	1.500	1.3	0.06	1.31
VTRE-3.50-SS	3.50	1.63	0.875	2.00	1.187	0.98	0.03	7/8 - 14	1.13	0.88	5/16	2.250	1.5	0.06	1.69
VTRE-3.50E-SS*	3.50	1.65	0.750	2.00	1.187	0.98	0.03	3/4 - 16	1.13	0.88	5/16	2.250	1.5	0.13	1.90 <sup>†</sup>
VTRE-4.50A-SS	4.50	1.94	1.250	2.50	1.750	1.23	0.06	1 1/4 - 12	1.75	1.00	1/2	3.000	2.2	0.06	2.00
VTRE-4.50-SS	4.50	1.94	1.250	2.50	1.750	1.23	0.06	1 1/4 - 12	1.75	1.00	1/2	3.000	2.2	0.06	2.00
VTRE-5.50A-SS	5.50	1.94	1.250	2.75	1.812	1.36	0.06	1 1/4 - 12	1.75	1.00	1/2	4.000	2.2	0.06	2.00
VTRE-5.50-SS	5.50	1.94	1.250	2.75	1.812	1.36	0.06	1 1/4 - 12	1.75	1.00	1/2	4.000	2.2	0.06	2.00
VTRE-6.50-SS	6.50	2.94	2.000	4.50	2.625	2.13	0.06	2 - 12	2.50	1.50	5/8	5.000	3.3	0.06	3.00
VTRE-7.50-SS	7.50	2.94	2.500	5.50	3.125	2.88	0.06	2 1/2 - 12	3.25	1.50	5/8	6.000	3.6	0.06	3.00

\* VTRE-3.50E-SS is designed with stud extending 7/64" from end of roller. Design does not incorporate a dust cover.

Ask about dual direction Crowned V-groove Track Rollers with R<sup>3</sup>™ Technology (CVTR).

# VTRE-SS Series Track Roller Assembly

V-Grooved – Stud Type Eccentric

316 Stainless Steel - Ball & Tapered Roller Bearings



(989)358-6148

www.pcimfg.com



## ADDITIONAL NOTES

\*For lubricated threads, use half the maximum clamping torque value shown.

DGBB-SS: Deep Groove Ball Bearings – 440C Stainless Steel

TRB: Tapered Roller Bearings – Alloy Steel

FEATURING ∞ INFINITY ROLLER™ TECHNOLOGY

Jam Nut & Lock Washer sets are available at an additional cost.

For regreasable provisions, add a “-R” to the end of the part number. (See “-R” page for specifications)

Specifications subject to change without notice.

Ask about the Stainless Steel “PLUS” Solution -SSP.

Stud Type Track Roller Part Number	Basic Radial Dynamic Load Rating (lbs) C	Basic Radial Static Load Rating (lbs) Co	Thrust Dynamic Load Rating (lbs)	Thrust Static Load Rating (lbs)	Stud Capacity (lbs)	Retaining Ring Capacity (lbs)	Max. Clamping Torque (in-lbs)*	Seal Type	Bearing Type	Approx. Roller Weight (lbs)
VTRE-1.50-SS	786	467	282	58	190	390	50	Fluorocarbon Lip	DGBB-SS	0.36
VTRE-2.00-SS	852	605	317	76	230	470	50	Fluorocarbon Lip	DGBB-SS	0.59
VTRE-2.50-SS	1,688	1,321	809	330	390	550	250	Fluorocarbon Lip	DGBB-SS	1.38
VTRE-3.50-SS	2,611	2,064	1,257	516	1,610	900	650	Fluorocarbon Lip	DGBB-SS	3.49
VTRE-3.50E-SS*	11,957	7,200	3,540	3,150	1,220	-	250	Rubber Dual Lip	TRB	3.51
VTRE-4.50A-SS	7,102	5,081	3,287	1,270	5,050	1,950	1,500	Fluorocarbon Lip	DGBB-SS	7.31
VTRE-4.50-SS	14,300	20,000	5,790	12,000	5,050	-	650	Rubber Dual Lip	TRB	7.36
VTRE-5.50A-SS	7,102	5,081	3,287	1,270	5,050	1,950	1,500	Fluorocarbon Lip	DGBB-SS	11.24
VTRE-5.50-SS	14,300	20,000	5,790	12,000	5,050	-	650	Rubber Dual Lip	TRB	11.33
VTRE-6.50-SS	35,870	58,400	13,310	32,100	13,780	-	5,000	Rubber Dual Lip	TRB	28.81
VTRE-7.50-SS	35,830	56,200	14,150	32,900	26,910	-	5,000	Rubber Dual Lip	TRB	41.17

# VTRY-SS Series Track Roller Assembly

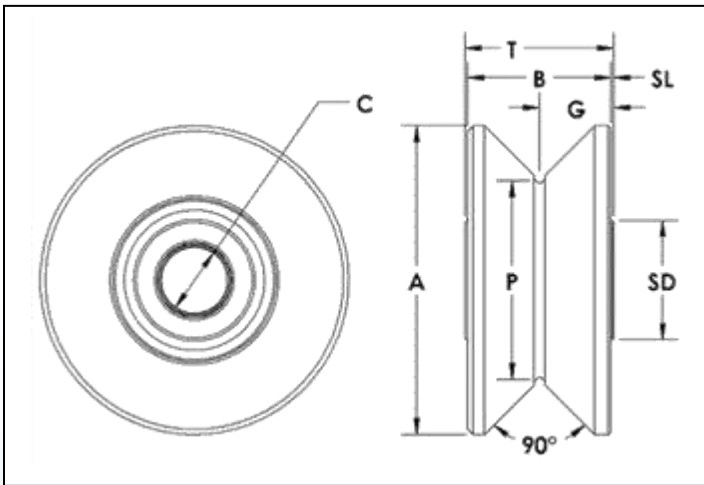
V-Grooved – Yoke Type

316 Stainless Steel - Ball & Tapered Roller Bearings



(989)358-6148

www.pcimfg.com



FEATURING  
∞ INFINITY ROLLER™  
TECHNOLOGY

Yoke Type Track Roller Part Number	A	B	C	G	P	SD	SL	T
	Roller Dia.	Roller Width	Bore Dia. +.0007 -.0000	Groove Center	Point Dia. +.000 -.001	Shoulder Dia.	Shoulder Length	Inner Race Width +.005 -.010
VTRY-2.50-9-SS	2.50	0.880	0.4380	0.47	1.750	0.9	0.03	0.937
VTRY-2.50-SS	2.50	1.250	0.6255	0.66	2.000	1.1	0.03	1.313
VTRY-3.00-SS	3.00	1.250	0.6255	0.66	2.060	1.1	0.03	1.313
VTRY-3.50-SS	3.50	1.500	0.7505	0.78	2.250	1.2	0.03	1.563
VTRY-3.50-9-SS	3.50	1.625	0.7505	0.84	2.250	1.2	0.03	1.687
VTRY-3.75A-SS	3.75	1.500	0.7505	0.78	2.500	1.2	0.03	1.563
VTRY-3.75-SS	3.75	1.500	0.7505	0.78	2.500	1.3	0.03	1.563
VTRY-4.50A-SS	4.50	1.750	1.0005	0.91	3.000	1.8	0.03	1.813
VTRY-4.50-SS	4.50	1.750	1.0005	0.91	3.000	1.8	0.03	1.813
VTRY-5.00A-SS	5.00	2.000	1.1255	1.03	3.500	2.0	0.03	2.063
VTRY-5.00-SS	5.00	2.000	1.1255	1.03	3.500	2.0	0.03	2.063
VTRY-5.50A-SS	5.50	2.250	1.2505	1.16	4.000	2.0	0.03	2.313
VTRY-5.50-SS	5.50	2.250	1.2505	1.16	4.000	2.0	0.03	2.313
VTRY-6.50-SS	6.50	2.750	1.7508	1.44	5.000	3.2	0.06	2.875
VTRY-7.50-SS	7.50	3.250	2.2508	1.69	6.000	3.5	0.06	3.375

Optional PCI Yoke Shaft	Optional PCI Eccentric Yoke Shaft
YSH-.437-SS	YSHE-.437-SS
YSH-.625-SS	YSHE-.625-SS
YSH-.625-SS	YSHE-.625-SS
YSH-.750-SS	YSHE-.750-SS
YSH-.750-SS	YSHE-.750-SS
YSH-.750-SS	YSHE-.750-SS
YSH-.750-SS	YSHE-.750-SS
YSH-1.000-SS	YSHE-1.000-SS
YSH-1.000-SS	YSHE-1.000-SS
YSH-1.125-SS	YSHE-1.125-SS
YSH-1.125-SS	YSHE-1.125-SS
YSH-1.250-SS	YSHE-1.250-SS
YSH-1.250-SS	YSHE-1.250-SS
YSH-1.750-SS	YSHE-1.750-SS
YSH-2.250-SS	YSHE-2.250-SS

Ask about dual direction Crowned V-groove Track Rollers with R<sup>3</sup>™ Technology (CVTR).

# VTRY-SS Series Track Roller Assembly

V-Grooved – Yoke Type

316 Stainless Steel - Ball & Tapered Roller Bearings



(989)358-6148  
www.pcimfg.com



## ADDITIONAL NOTES

DGBB-SS: Deep Groove Ball Bearings – 440C Stainless Steel  
TRB: Tapered Roller Bearings – Alloy Steel

FEATURING ∞ INFINITY ROLLER™ TECHNOLOGY

PCI Heavy Duty Yoke Shafts are available at an additional cost. See YSH page for details.

For regreasable provisions, add a “-R” to the end of the part number. (See “VTRY-R” page for specifications)

Specifications subject to change without notice.

Ask about the Stainless Steel “PLUS” Solution -SSP.

Yoke Type Track Roller Part Number	Basic Radial Dynamic Load Rating (lbs) C	Basic Radial Static Load Rating (lbs) Co	Thrust Dynamic Load Rating (lbs)	Thrust Static Load Rating (lbs)	Seal Type	Bearing Type	Approx. Roller Weight (lbs)
VTRY-2.50-9-SS	1,276	1,114	641	278	Fluorocarbon Lip	DGBB-SS	0.82
VTRY-2.50-SS	2,565	2,168	1,270	542	Fluorocarbon Lip	DGBB-SS	1.30
VTRY-3.00-SS	2,565	2,168	1,270	542	Fluorocarbon Lip	DGBB-SS	1.69
VTRY-3.50-SS	2,735	2,524	1,407	631	Fluorocarbon Lip	DGBB-SS	2.70
VTRY-3.50-9-SS	2,735	2,524	1,407	631	Fluorocarbon Lip	DGBB-SS	2.53
VTRY-3.75A-SS	3,828	3,398	1,936	849	Fluorocarbon Lip	DGBB-SS	3.05
VTRY-3.75-SS	10,880	7,630	4,010	4,570	Rubber Dual Lip	TRB	3.08
VTRY-4.50A-SS	5,827	4,631	2,812	1,158	Fluorocarbon Lip	DGBB-SS	4.88
VTRY-4.50-SS	14,300	20,000	5,790	12,000	Rubber Dual Lip	TRB	5.12
VTRY-5.00A-SS	6,118	5,171	3,030	1,293	Fluorocarbon Lip	DGBB-SS	7.48
VTRY-5.00-SS	17,600	27,200	5,750	13,100	Rubber Dual Lip	TRB	7.61
VTRY-5.50A-SS	6,118	5,171	3,030	1,293	Fluorocarbon Lip	DGBB-SS	11.06
VTRY-5.50-SS	17,600	27,200	5,750	13,100	Rubber Dual Lip	TRB	11.56
VTRY-6.50-SS	35,870	58,400	13,310	32,100	Rubber Dual Lip	TRB	20.40
VTRY-7.50-SS	35,830	56,200	14,150	32,900	Rubber Dual Lip	TRB	31.14

# UTR-SS Series Track Roller Assembly

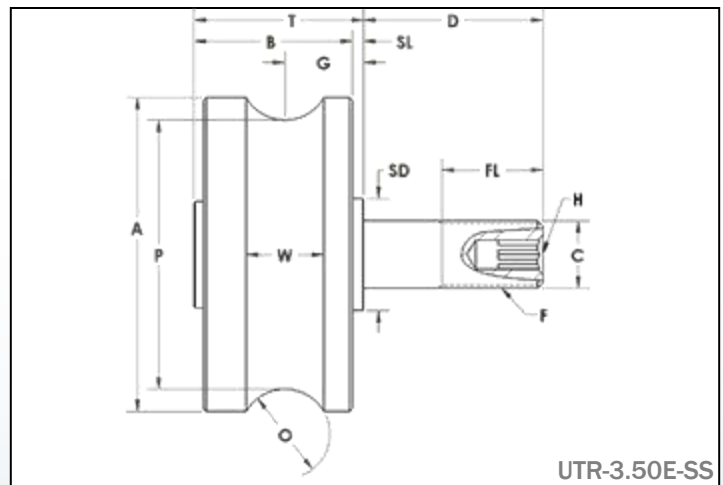
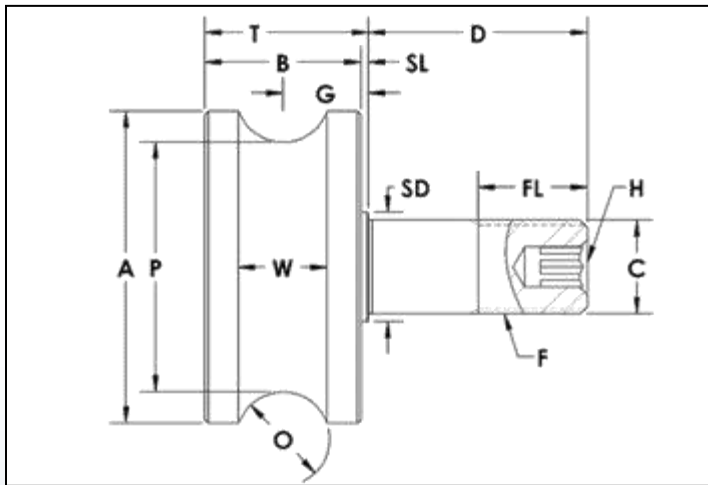
U-Grooved – Stud Type Concentric

316 Stainless Steel - Ball & Tapered Roller Bearings



(989)358-6148

www.pcimfg.com



UTR-3.50E-SS

Stud Type Track Roller Part Number	A	B	C	D	F	FL	G	H	O	P	SD	SL	T	W
	Roller Dia.	Roller Width	Stud Dia. +0.000 -0.001	Stud Length	Thread Size	Thread Length	Groove Center	Hex Size	Rail Size	Point Dia. +0.000 -0.001	Shoulder Dia.	Shoulder Length	Roller Width + Shoulder Length	Tread Width
UTR-1.50-SS	1.50	0.75	0.437	1.00	7/16 - 20	0.50	0.41	3/16	1/2	1.250	0.5	0.03	0.78	0.43
UTR-1.75-SS	1.75	0.75	0.437	1.00	7/16 - 20	0.50	0.41	3/16	1/2	1.500	0.5	0.03	0.78	0.43
UTR-2.00-SS	2.00	0.81	0.500	1.25	1/2 - 20	0.63	0.44	3/16	5/8	1.750	0.6	0.03	0.84	0.50
UTR-2.50-SS	2.50	1.25	0.750	1.75	3/4 - 16	0.88	0.69	5/16	3/4	2.000	0.9	0.06	1.31	0.71
UTR-3.50-SS	3.50	1.63	0.875	2.00	7/8 - 14	1.13	0.88	5/16	1	3.000	1.0	0.06	1.69	0.87
UTR-3.50E-SS*	3.50	1.65	0.750	2.00	3/4 - 16	1.13	0.88	5/16	1	3.000	0.9	0.13	1.90 <sup>+</sup>	0.87
UTR-4.50A-SS	4.50	1.94	1.250	2.50	1 1/4 - 12	1.75	1.00	1/2	1	4.000	1.5	0.06	2.00	0.87
UTR-4.50-SS	4.50	1.94	1.250	2.50	1 1/4 - 12	1.75	1.00	1/2	1	4.000	1.8	0.06	2.00	0.87
UTR-5.50-SS	5.50	1.94	1.250	2.75	1 1/4 - 12	1.75	1.00	1/2	1 1/4	5.000	1.8	0.06	2.00	1.00
UTR-6.00-SS	5.94	2.94	2.000	4.50	2 - 12	2.50	1.50	5/8	1 1/2	5.000	3.0	0.06	3.00	1.39
UTR-7.00-SS	6.94	2.94	2.500	5.50	2 1/2 - 12	3.25	1.50	5/8	2	6.000	3.5	0.06	3.00	1.69

\* UTR-3.50E-SS is designed with stud extending 7/64" from end of roller. Design does not incorporate a dust

# UTR-SS Series Track Roller Assembly

U-Grooved – Stud Type Concentric

316 Stainless Steel - Ball & Tapered Roller Bearings



(989)358-6148

www.pcimfg.com



## ADDITIONAL NOTES

\*For lubricated threads, use half the maximum clamping torque value shown.

DGBB-SS: Deep Groove Ball Bearings – 440C Stainless Steel  
TRB: Tapered Roller Bearings – Alloy Steel

FEATURING ∞ INFINITY ROLLER™ TECHNOLOGY

Jam Nut & Lock Washer sets are available at an additional cost.

For regreasable provisions, add a “-R” to the end of the part number. (See “-R” page for specifications)

Specifications subject to change without notice.

Ask about the Stainless Steel “PLUS” Solution -SSP.

Stud Type Track Roller Part Number	Basic Radial Dynamic Load Rating (lbs) C	Basic Radial Static Load Rating (lbs) Co	Thrust Dynamic Load Rating (lbs)	Thrust Static Load Rating (lbs)	Stud Capacity (lbs)	Retaining Ring Capacity (lbs)	Max. Clamping Torque (in-lbs)*	Seal Type	Bearing Type	Approx. Roller Weight (lbs)
UTR-1.50-SS	786	467	282	58	190	390	50	Fluorocarbon Lip	DGBB-SS	0.33
UTR-1.75-SS	786	467	282	58	190	390	50	Fluorocarbon Lip	DGBB-SS	0.46
UTR-2.00-SS	852	605	317	76	230	470	50	Fluorocarbon Lip	DGBB-SS	0.64
UTR-2.50-SS	1,688	1,321	809	330	390	550	250	Fluorocarbon Lip	DGBB-SS	1.54
UTR-3.50-SS	2,611	2,064	1,257	516	1,000	900	350	Fluorocarbon Lip	DGBB-SS	4.05
UTR-3.50E-SS*	11,957	7,200	3,540	3,150	3,390	-	1,500	Rubber Dual Lip	TRB	4.05
UTR-4.50A-SS	7,102	5,081	3,287	1,270	3,900	1,950	1,500	Fluorocarbon Lip	DGBB-SS	8.31
UTR-4.50-SS	14,300	20,000	5,790	12,000	5,050	-	650	Rubber Dual Lip	TRB	8.52
UTR-5.50-SS	14,300	20,000	5,790	12,000	5,050	-	650	Rubber Dual Lip	TRB	12.78
UTR-6.00-SS	35,870	58,400	13,310	32,100	13,780	-	5,000	Rubber Dual Lip	TRB	23.22
UTR-7.00-SS	35,830	56,200	14,150	32,900	26,910	-	5,000	Rubber Dual Lip	TRB	33.45

# UTRE-SS Series Track Roller Assembly

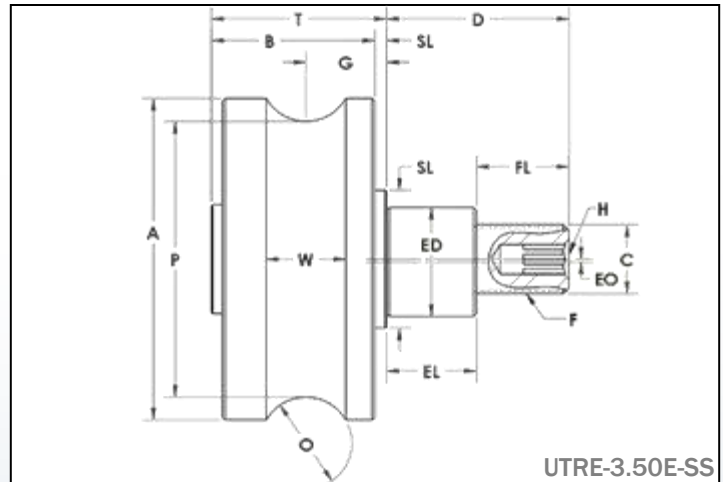
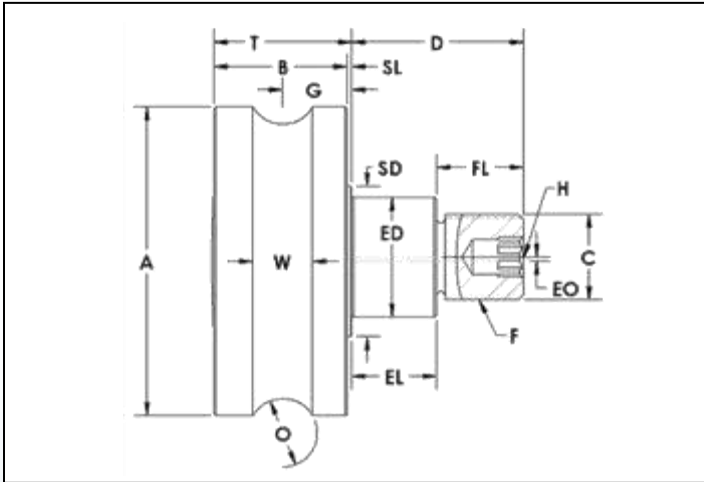
U-Grooved – Stud Type Eccentric

316 Stainless Steel - Ball & Tapered Roller Bearings



(989)358-6148

www.pcimfg.com



UTRE-3.50E-SS

Stud Type Track Roller Part Number	A	B	C	D	ED	EL	EO	F	FL	G	H	O	P	SD	SL	T	W
	Roller Dia.	Roller Width	Stud Dia. +.000 -.001	Stud Length	Ecc Dia +.000 -.002	Ecc Length	Ecc Offset	Thread Size	Thread Length	Groove Center	Hex Size	Rail Size	Point Dia. +.000 -.001	Shoulder Dia.	Shoulder Length	Roller Width + Shoulder Length	Tread Width
UTRE-1.50-SS	1.50	0.75	0.437	1.00	0.625	0.48	0.03	7/16 - 20	0.52	0.41	3/16	1/2	1.250	0.7	0.03	0.78	0.43
UTRE-1.75-SS	1.75	0.75	0.437	1.00	0.625	0.48	0.03	7/16 - 20	0.52	0.41	3/16	1/2	1.500	0.7	0.03	0.78	0.43
UTRE-2.00-SS	2.00	0.81	0.500	1.25	0.687	0.61	0.03	1/2 - 20	0.65	0.44	3/16	5/8	1.750	0.8	0.03	0.84	0.50
UTRE-2.50-SS	2.50	1.25	0.750	1.75	1.000	0.86	0.03	3/4 - 16	0.90	0.69	5/16	3/4	2.000	1.3	0.06	1.31	0.71
UTRE-3.50-SS	3.50	1.63	0.875	2.00	1.187	0.98	0.03	7/8 - 14	1.02	0.88	5/16	1	3.000	1.5	0.06	1.69	0.87
UTRE-3.50E-SS*	3.50	1.65	0.750	2.00	1.187	0.98	0.03	3/4 - 16	1.02	0.88	5/16	1	3.000	1.5	0.13	1.90†	0.87
UTRE-4.50A-SS	4.50	1.94	1.250	2.50	1.750	1.23	0.06	1 1/4 - 12	1.27	1.00	1/2	1	4.000	2.2	0.06	2.00	0.87
UTRE-4.50-SS	4.50	1.94	1.250	2.50	1.750	1.23	0.06	1 1/4 - 12	1.27	1.00	1/2	1	4.000	2.2	0.06	2.20	0.87
UTRE-5.50-SS	5.50	1.94	1.250	2.75	1.812	1.36	0.06	1 1/4 - 12	1.40	1.00	1/2	1 1/4	5.000	2.2	0.06	2.00	1.00
UTRE-6.00-SS	5.94	2.94	2.000	4.50	2.625	2.13	0.06	2 - 12	2.38	1.50	5/8	1 1/2	5.000	3.3	0.06	3.00	1.39
UTRE-7.00-SS	6.94	2.94	2.500	5.50	3.125	2.88	0.06	2 1/2 - 12	2.63	1.50	5/8	2	6.000	3.6	0.06	3.00	1.69

\*UTRE-3.50E-SS is designed with stud extending 7/64" from end of roller. Design does not incorporate a dust cover.



# UTRE-SS Series Track Roller Assembly

U-Grooved – Stud Type Eccentric

316 Stainless Steel - Ball & Tapered Roller Bearings



(989)358-6148

www.pcimfg.com



## ADDITIONAL NOTES

\*For lubricated threads, use half the maximum clamping torque value shown.

DGGB-SS: Deep Groove Ball Bearings – 440C Stainless Steel  
 TRB: Tapered Roller Bearings – Alloy Steel

FEATURING ∞ INFINITY ROLLER™ TECHNOLOGY

Jam Nut & Lock Washer sets are available at an additional cost.

For regreasable provisions, add a “-R” to the end of the part number. (See “-R” page for specifications)

Specifications subject to change without notice.

Ask about the Stainless Steel “PLUS” Solution -SSP.

Stud Type Track Roller Part Number	Basic Radial Dynamic Load Rating (lbs) C	Basic Radial Static Load Rating (lbs) Co	Thrust Dynamic Load Rating (lbs)	Thrust Static Load Rating (lbs)	Stud Capacity (lbs)	Retaining Ring Capacity (lbs)	Max. Clamping Torque (in-lbs)*	Seal Type	Bearing Type	Approx. Roller Weight (lbs)
UTRE-1.50-SS	786	467	282	58	190	390	50	Fluorocarbon Lip	DGGB-SS	0.33
UTRE-1.75-SS	786	467	282	58	190	390	50	Fluorocarbon Lip	DGGB-SS	0.46
UTRE-2.00-SS	852	605	317	76	230	470	50	Fluorocarbon Lip	DGGB-SS	0.64
UTRE-2.50-SS	1,688	1,321	809	330	390	550	250	Fluorocarbon Lip	DGGB-SS	1.54
UTRE-3.50-SS	2,611	2,064	1,257	516	1,000	900	350	Fluorocarbon Lip	DGGB-SS	4.05
UTRE-3.50E-SS*	11,957	7,200	3,540	3,150	3,390	-	1,500	Rubber Dual Lip	TRB	4.05
UTRE-4.50A-SS	7,102	5,081	3,287	1,270	3,900	1,950	1,500	Fluorocarbon Lip	DGGB-SS	8.31
UTRE-4.50-SS	14,300	20,000	5,790	12,000	5,050	-	650	Rubber Dual Lip	TRB	8.52
UTRE-5.50-SS	14,300	20,000	5,790	12,000	5,050	-	650	Rubber Dual Lip	TRB	12.78
UTRE-6.00-SS	35,870	58,400	13,310	32,100	13,780	-	5,000	Rubber Dual Lip	TRB	23.22
UTRE-7.00-SS	35,830	56,200	14,150	32,900	26,910	-	5,000	Rubber Dual Lip	TRB	33.45

# UTRY-SS Series Track Roller Assembly

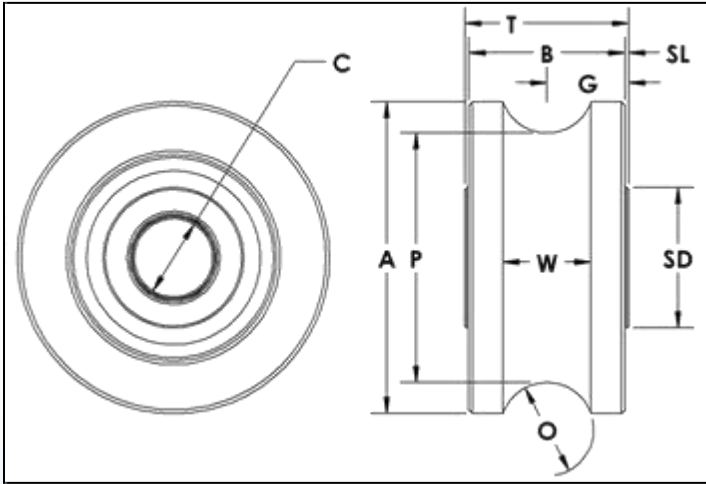
U-Grooved – Yoke Type

316 Stainless Steel - Ball & Tapered Roller Bearings



(989)358-6148

www.pcimfg.com



FEATURING  
∞ INFINITY ROLLER™  
TECHNOLOGY

Yoke Type Track Roller Part Number	A	B	C	G	O	P	SD	SL	T	W
	Roller Dia.	Roller Width	Bore Dia. +.0007 -.0000	Groove Center	Rail Size	Point Dia. +.000 -.001	Shoulder Dia.	Shoulder Length	Inner Race Width +.005 -.010	Tread Width
UTRY-1.75-SS	1.75	0.88	0.4380	0.47	1/2	1.500	0.9	0.03	0.937	0.44
UTRY-2.00-SS	2.00	1.00	0.5005	0.53	5/8	1.750	0.9	0.03	1.063	0.50
UTRY-2.50-SS	2.50	1.25	0.6255	0.66	3/4	2.000	1.1	0.03	1.313	0.71
UTRY-3.50A-SS	3.50	1.75	1.0005	0.91	1	3.000	1.8	0.03	1.813	0.87
UTRY-3.50-SS	3.50	1.75	1.0005	0.91	1	3.000	1.8	0.03	1.813	0.87
UTRY-4.50A-SS	4.50	2.25	1.2505	1.16	1	4.000	2.0	0.03	2.313	0.87
UTRY-4.50-SS	4.50	2.25	1.2505	1.16	1	4.000	2.0	0.03	2.313	0.87
UTRY-5.50-SS	5.50	2.75	1.7508	1.44	1 1/4	5.000	3.2	0.06	2.875	1.00
UTRY-6.00-SS	5.94	2.75	1.7508	1.44	1 1/2	5.000	3.2	0.06	2.875	1.39
UTRY-7.00-SS	6.94	3.25	2.2508	1.69	2	6.000	3.5	0.06	3.375	1.69

Optional PCI Yoke Shaft	Optional PCI Eccentric Yoke Shaft
YSH-.437-SS	YSHE-.437-SS
YSH-.500-SS	YSHE-.500-SS
YSH-.625-SS	YSHE-.625-SS
YSH-1.000-SS	YSHE-1.000-SS
YSH-1.000-SS	YSHE-1.000-SS
YSH-1.250-SS	YSHE-1.250-SS
YSH-1.250-SS	YSHE-1.250-SS
YSH-1.750-SS	YSHE-1.750-SS
YSH-1.750-SS	YSHE-1.750-SS
YSH-2.250-SS	YSHE-2.250-SS

# UTRY-SS Series Track Roller Assembly

U-Grooved – Yoke Type

316 Stainless Steel - Ball & Tapered Roller Bearings



(989)358-6148  
www.pcimfg.com



## ADDITIONAL NOTES

DGBB-SS: Deep Groove Ball Bearings – 440C Stainless Steel  
TRB: Tapered Roller Bearings – Alloy Steel

FEATURING ∞ INFINITY ROLLER™ TECHNOLOGY

PCI Heavy Duty Yoke Shafts are available at an additional cost.  
See YSH page for details.

For regreasable provisions, add a “-R” to the end of the part number. (See “UTRY-R” page for specifications)

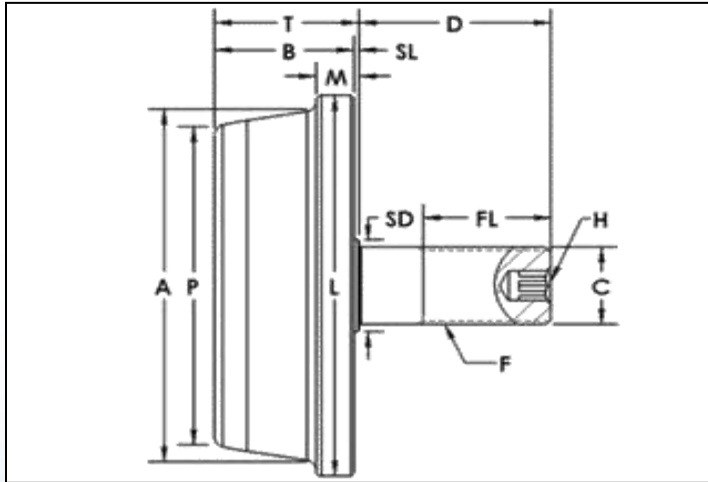
Specifications subject to change without notice.

Ask about the Stainless Steel “PLUS” Solution -SSP.

Yoke Type Track Roller Part Number	Basic Radial Dynamic Load Rating (lbs) C	Basic Radial Static Load Rating (lbs) Co	Thrust Dynamic Load Rating (lbs)	Thrust Static Load Rating (lbs)	Seal Type	Bearing Type	Approx. Roller Weight (lbs)
UTRY-1.75-SS	1,276	1,114	641	278	Fluorocarbon Lip	DGBB-SS	0.42
UTRY-2.00-SS	1,276	1,114	641	278	Fluorocarbon Lip	DGBB-SS	0.65
UTRY-2.50-SS	2,565	2,168	1,270	542	Fluorocarbon Lip	DGBB-SS	1.19
UTRY-3.50A-SS	5,827	4,631	2,812	1,158	Fluorocarbon Lip	DGBB-SS	3.30
UTRY-3.50-SS	14,300	20,000	5,790	12,000	Rubber Dual Lip	TRB	3.50
UTRY-4.50A-SS	6,118	5,171	3,030	1,293	Fluorocarbon Lip	DGBB-SS	7.93
UTRY-4.50-SS	17,600	27,200	5,750	13,100	Rubber Dual Lip	TRB	8.34
UTRY-5.50-SS	35,870	58,400	13,310	32,100	Rubber Dual Lip	TRB	15.00
UTRY-6.00-SS	35,870	58,400	13,310	32,100	Rubber Dual Lip	TRB	16.59
UTRY-7.00-SS	35,830	56,200	14,150	32,900	Rubber Dual Lip	TRB	25.42

# CIR-SS Series Track Roller Assembly

Channel & I-Beam – Stud Type Concentric  
316 Stainless Steel - Ball & Tapered Roller Bearings



FEATURING  
∞ INFINITY ROLLER™  
TECHNOLOGY

Stud Type Track Roller Part Number	A	B	C	D	F	FL	H	L	M	P	SD	SL	T
	Roller Dia.	Roller Width	Stud Dia. +.000 -.001	Stud Length	Thread Size	Thread Length	Hex Size	Flange Dia	Flange Width	Point Dia.	Shoulder Dia.	Shoulder Length	Roller Width + Shoulder Length
CIR-3.00-SS	2.56	1.13	0.625	1.50	5/8 - 18	0.75	5/16	2.94	0.31	2.23	0.8	0.06	1.19
CIR-3.00E-SS	2.56	1.63	0.875	2.00	7/8 - 14	1.13	5/16	2.94	0.62	2.17	1.0	0.06	1.69
CIR-3.00-1-SS	2.50	1.63	1.000	2.25	1 - 14	1.50	3/8	2.94	0.50	2.06	1.2	0.06	1.69
CIR-4.00-SS	3.56	1.63	0.875	2.00	7/8 - 14	1.13	5/16	3.94	0.53	3.14	1.0	0.06	1.69
CIR-4.00E-SS	3.56	1.63	1.000	2.25	1 - 14	1.50	3/8	3.94	0.53	3.14	1.2	0.06	1.69
CIR-4.00-1-SS	3.00	1.75	1.000	2.25	1 - 14	1.50	3/8	3.94	0.59	2.56	1.3	0.06	1.81
CIR-5.00-SS	4.56	1.63	1.000	2.25	1 - 14	1.50	3/8	4.94	0.50	4.13	1.2	0.06	1.69
CIR-5.00E-SS	4.56	1.94	1.250	2.50	1 1/4 - 12	1.75	1/2	4.94	0.69	4.05	1.8	0.06	2.00
CIR-5.00E-1-SS	4.00	1.94	1.250	2.75	1 1/4 - 12	1.75	1/2	4.94	0.59	3.31	1.8	0.06	2.00
CIR-6.00-SS	5.56	1.94	1.250	2.50	1 1/4 - 12	1.75	1/2	5.94	0.56	4.99	1.8	0.06	2.00

# CIR-SS Series Track Roller Assembly

Channel & I-Beam – Stud Type Concentric  
316 Stainless Steel - Ball & Tapered Roller Bearings



## ADDITIONAL NOTES

\*For lubricated threads, use half the maximum clamping torque value shown.

DGBB-SS: Deep Groove Ball Bearings – 440C Stainless Steel  
TRB: Tapered Roller Bearings – Alloy Steel

FEATURING ∞ INFINITY ROLLER™ TECHNOLOGY

Jam Nut & Lock Washer sets are available at an additional cost.

For regreasable provisions, add a “-R” to the end of the part number. (See “-R” page for specifications)

Specifications subject to change without notice.

Ask about the Stainless Steel “PLUS” Solution -SSP.

Stud Type Track Roller Part Number	Basic Radial Dynamic Load Rating (lbs) C	Basic Radial Static Load Rating (lbs) Co	Thrust Dynamic Load Rating (lbs)	Thrust Static Load Rating (lbs)	Stud Capacity (lbs)	Retaining Ring Capacity (lbs)	Max. Clamping Torque (in-lbs)*	Seal Type	Bearing Type	Approx. Roller Weight (lbs)
CIR-3.00-SS	1,688	1,321	809	330	610	550	180	Fluorocarbon Lip	DGBB-SS	1.64
CIR-3.00E-SS	2,611	2,064	1,257	516	1,220	900	350	Fluorocarbon Lip	DGBB-SS	2.40
CIR-3.00-1-SS	2,565	2,168	1,270	542	1,940	1,340	350	Fluorocarbon Lip	DGBB-SS	2.37
CIR-4.00-SS	2,611	2,064	1,257	516	1,220	900	350	Fluorocarbon Lip	DGBB-SS	4.64
CIR-4.00E-SS	3,828	3,398	1,936	849	2,360	1,340	650	Fluorocarbon Lip	DGBB-SS	4.65
CIR-4.00-1-SS	10,880	7,630	4,010	4,570	2,850	-	350	Rubber Dual Lip	TRB	3.98
CIR-5.00-SS	3,828	3,398	1,936	849	2,360	1,340	350	Fluorocarbon Lip	DGBB-SS	7.58
CIR-5.00E-SS	14,300	20,000	5,790	12,000	5,050	-	650	Rubber Dual Lip	TRB	9.24
CIR-5.00E-1-SS	14,300	20,000	5,790	12,000	5,050	-	650	Rubber Dual Lip	TRB	9.24
CIR-6.00-SS	14,300	20,000	5,790	12,000	5,050	-	650	Rubber Dual Lip	TRB	13.40

# CIRE-SS Series Track Roller Assembly

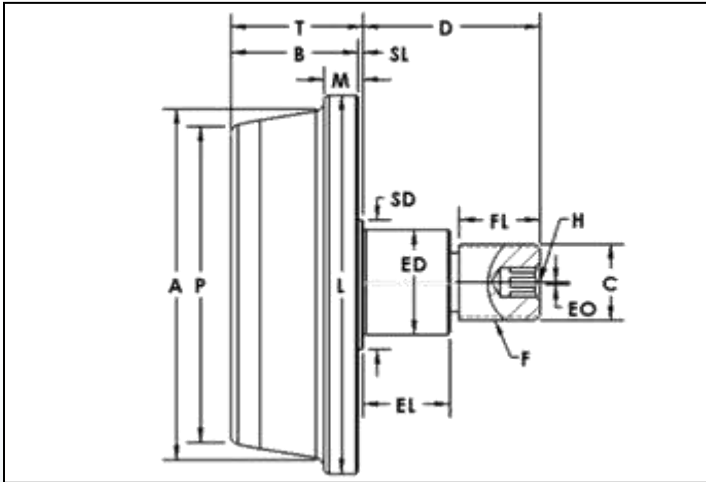
Channel & I-Beam – Stud Type Eccentric

316 Stainless Steel - Ball & Tapered Roller Bearings



(989)358-6148

www.pcimfg.com



FEATURING  
∞ INFINITY ROLLER™  
TECHNOLOGY

Stud Type Track Roller Part Number	A	B	C	D	ED	EL	EO	F	FL	H	L	M	P	SD	SL	T
	Roller Dia.	Roller Width	Stud Dia. +.000 -.001	Stud Length	Ecc Dia +.000 -.002	Ecc Length	Ecc Offset	Thread Size	Thread Length	Hex Size	Flange Dia	Flange Width	Point Dia.	Shoulder Dia.	Shoulder Length	Roller Width + Shoulder Length
CIRE-3.00-SS	2.56	1.13	0.625	1.50	0.875	0.73	0.03	5/8 - 18	0.77	5/16	2.94	0.31	2.23	1.1	0.06	1.19
CIRE-3.00E-SS	2.56	1.63	0.875	2.00	1.187	0.98	0.03	7/8 - 14	1.02	5/16	2.94	0.62	2.17	1.5	0.06	1.69
CIRE-3.00-1-SS	2.50	1.63	1.000	2.25	1.375	1.11	0.03	1 - 14	1.15	3/8	2.94	0.50	2.06	1.7	0.06	1.69
CIRE-4.00-SS	3.56	1.63	0.875	2.00	1.187	0.98	0.03	7/8 - 14	1.02	5/16	3.94	0.53	3.14	1.5	0.06	1.69
CIRE-4.00E-SS	3.56	1.63	1.000	2.25	1.375	1.11	0.03	1 - 14	1.15	3/8	3.94	0.53	3.14	1.7	0.06	1.69
CIRE-4.00-1-SS	3.00	1.75	1.000	2.25	1.375	1.11	0.03	1 - 14	1.15	3/8	3.94	0.59	2.56	1.7	0.06	1.81
CIRE-5.00-SS	4.56	1.63	1.000	2.25	1.375	1.11	0.03	1 - 14	1.15	3/8	4.94	0.50	4.13	1.7	0.06	1.69
CIRE-5.00E-SS	4.56	1.94	1.250	2.50	1.750	1.23	0.06	1/4 - 1	1.27	1/2	4.94	0.69	4.05	2.2	0.06	2.20
CIRE-5.00E-1-SS	4.00	1.94	1.250	2.75	1.812	1.36	0.06	1/4 - 1	1.40	1/2	4.94	0.59	3.31	2.2	0.06	2.00
CIRE-6.00-SS	5.56	1.94	1.250	2.50	1.750	1.23	0.06	1/4 - 1	1.27	1/2	5.94	0.56	4.99	2.2	0.06	2.00

# CIRE-SS Series Track Roller Assembly

Channel & I-Beam – Stud Type Eccentric

316 Stainless Steel - Ball & Tapered Roller Bearings



(989)358-6148

www.pcimfg.com



## ADDITIONAL NOTES

\*For lubricated threads, use half the maximum clamping torque value shown.

DGBB-SS: Deep Groove Ball Bearings – 440C Stainless Steel  
 TRB: Tapered Roller Bearings – Alloy Steel

FEATURING ∞ INFINITY ROLLER™ TECHNOLOGY

Jam Nut & Lock Washer sets are available at an additional cost.

For regreasable provisions, add a “-R” to the end of the part number. (See “-R” page for specifications)

Specifications subject to change without notice.

Ask about the Stainless Steel “PLUS” Solution -SSP.

Stud Type Track Roller Part Number	Basic Radial Dynamic Load Rating (lbs) C	Basic Radial Static Load Rating (lbs) Co	Thrust Dynamic Load Rating (lbs)	Thrust Static Load Rating (lbs)	Stud Capacity (lbs)	Retaining Ring Capacity (lbs)	Max. Clamping Torque (in-lbs)*	Seal Type	Bearing Type	Approx. Roller Weight (lbs)
CIRE-3.00-SS	1,688	1,321	809	330	610	550	180	Fluorocarbon Lip	DGBB-SS	1.66
CIRE-3.00E-SS	2,611	2,064	1,257	516	1,220	900	350	Fluorocarbon Lip	DGBB-SS	2.59
CIRE-3.00-1-SS	2,565	2,168	1,270	542	1,940	1,340	350	Fluorocarbon Lip	DGBB-SS	2.59
CIRE-4.00-SS	2,611	2,064	1,257	516	1,220	900	350	Fluorocarbon Lip	DGBB-SS	4.86
CIRE-4.00E-SS	3,828	3,398	1,936	849	2,360	1,340	650	Fluorocarbon Lip	DGBB-SS	4.93
CIRE-4.00-1-SS	10,880	7,630	4,010	4,570	2,850	-	350	Rubber Dual Lip	TRB	4.26
CIRE-5.00-SS	3,828	3,398	1,936	849	2,360	1,340	350	Fluorocarbon Lip	DGBB-SS	7.85
CIRE-5.00E-SS	14,300	20,000	5,790	12,000	5,050	-	650	Rubber Dual Lip	TRB	9.71
CIRE-5.00E-1-SS	14,300	20,000	5,790	12,000	5,050	-	650	Rubber Dual Lip	TRB	9.71
CIRE-6.00-SS	14,300	20,000	5,790	12,000	5,050	-	650	Rubber Dual Lip	TRB	13.46

# YSH-SS Series Heavy Duty Yoke Shaft

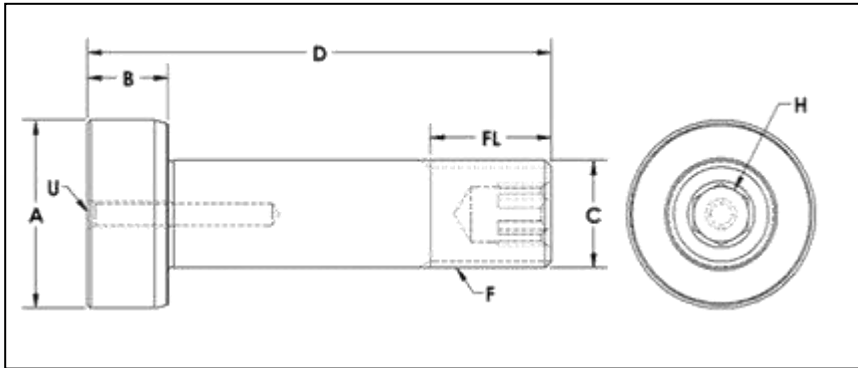
Threaded & Endcap Style – Concentric Shaft

316 Stainless Steel



(989)358-6148

www.pcimfg.com



Yoke Shaft Part Number	A	B	C	D	F	FL	H	L	M	P	U	Style	Approx. Weight (lbs)
	Head Dia. -.0002 -.0010	Head Width	Shaft Dia. +.0000 -.0005	Shaft Length	Thread Size	Thread Length	Hex Size	Main Dia.	Overall Width	Minor Width	Internal Thread		
YSH-.437-SS	0.7500	0.38	0.4370	2.06	7/16 - 20	0.38	5/32	-	-	-	1/4 - 28 UNF	Threaded	0.13
YSH-.500-SS	0.8750	0.44	0.5000	2.38	1/2 - 20	0.56	5/32	-	-	-	1/4 - 28 UNF	Threaded	0.20
YSH-.625-SS	1.1250	0.50	0.6250	3.00	5/8 - 18	0.56	1/4	-	-	-	1/4 - 28 UNF	Threaded	0.48
YSH-.750-SS	1.2500	0.63	0.7500	3.69	3/4 - 16	1.00	5/16	-	-	-	1/4 - 28 UNF	Threaded	0.81
YSH-1.000-SS	1.7500	0.75	1.0000	4.31	1 - 14	1.13	5/16	-	-	-	1/4 - 28 UNF	Threaded	1.26
YSH-1.125-SS	2.0000	0.88	1.1250	4.88	1 1/8 - 12	1.19	1/2	-	-	-	3/8 - 16 UNC	Threaded	1.86
YSH-1.250-SS	2.2500	0.88	1.2500	5.25	1 3/4 - 12	1.31	1/2	-	-	-	3/8 - 16 UNC	Threaded	2.47
YSH-1.750-SS	3.5000	1.25	1.7500	7.00	1 3/4 - 12	1.88	1/2	-	-	-	1/2 - 13 UNC	Threaded	7.33
YSH-2.250-SS	3.5000	1.25	2.2500	7.75	2 1/4 - 12	2.13	5/8	-	-	-	1/2 - 13 UNC	Threaded	11.38

## ADDITIONAL NOTES

Jam Nut & Lock Washer sets and lubrication fittings are included.

Specifications subject to change without notice.

For regreasable provisions, add a “-R” to the end of the part number. (See “YSH-R” page for specifications)



# YSHE-SS Series Heavy Duty Yoke Shaft

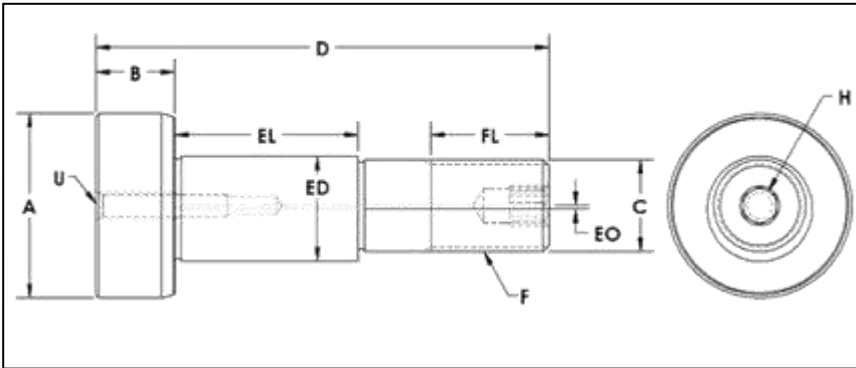
Threaded Style – Eccentric Shaft

316 Stainless Steel



(989)358-6148

www.pcimfg.com



Yoke Shaft Part Number	A	B	C	D	ED	EL	EO	F	FL	H	U	Approx. Weight (lbs)
	Head Dia. -.0002 -.0010	Head Width	Shaft Dia. +.0000 -.0005	Shaft Length	Ecc Dia +.000 -.002	Ecc Length	Ecc Offset	Thread Size	Thread Length	Hex Size	Internal Thread	
YSHE-.437-SS	0.7500	0.38	0.3130	2.06	0.437	0.84	0.03	5/16 - 18	0.38	5/32	1/4 - 28 UNF	0.11
YSHE-.500-SS	0.8750	0.44	0.3750	2.38	0.500	0.97	0.03	3/8 - 24	0.56	5/32	1/4 - 28 UNF	0.17
YSHE-.625-SS	1.1250	0.50	0.5000	3.00	0.625	1.19	0.03	1/2 - 20	0.56	1/4	1/4 - 28 UNF	0.30
YSHE-.750-SS	1.2500	0.63	0.6250	3.69	0.750	1.50	0.03	5/8 - 18	1.00	5/16	1/4 - 28 UNF	0.66
YSHE-1.000-SS	1.7500	0.75	0.8750	4.31	1.000	1.75	0.03	7/8 - 14	1.13	5/16	1/4 - 28 UNF	1.50
YSHE-1.125-SS	2.0000	0.88	1.0000	4.88	1.125	2.00	0.03	1 - 14	1.19	1/2	3/8 - 16 UNC	2.14
YSHE-1.250-SS	2.2500	0.88	1.0000	5.25	1.250	2.25	0.06	1 - 14	1.31	1/2	3/8 - 16 UNC	2.36
YSHE-1.750-SS	3.5000	1.25	1.5000	7.00	1.750	2.81	0.06	1 1/2 - 12	1.88	1/2	1/2 - 13 UNC	7.87
YSHE-2.250-SS	3.5000	1.25	2.0000	7.75	2.250	3.31	0.06	2 - 12	2.13	5/8	1/2 - 13 UNC	12.32

## ADDITIONAL NOTES

Jam Nut & Lock Washer sets and lubrication fittings are included.

Specifications subject to change without notice.

For regreasable provisions, add a "-R" to the end of the part number. (See "YSHE-R" page for specifications)

## Non-Sparking, Quiet Performance

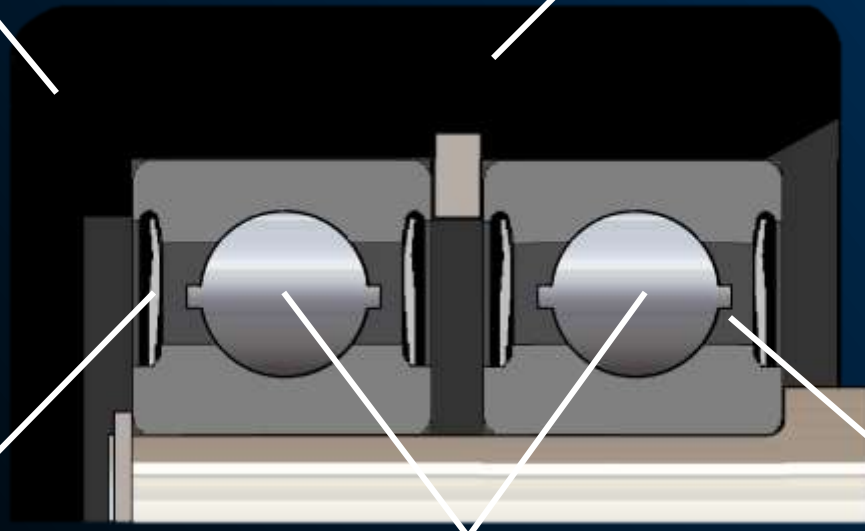
### ONE PIECE SOLID END CAP DESIGN\*

Solid protection of the bearing elements from external contaminants.

### NON-METALLIC ROLLER BODY

Minimizes Rolling Noise  
 Reduces Track Wear  
 Eliminates Need for Track Lubrication

Reduces Rolling Resistance  
 FDA Compliant Material  
 Reduces Likelihood of Metal-on-Metal Sparking



### RUBBER LIP SEALS

Maximizes protection of the bearing elements from external contamination.

### PRECISION DEEP GROOVE BALL BEARINGS

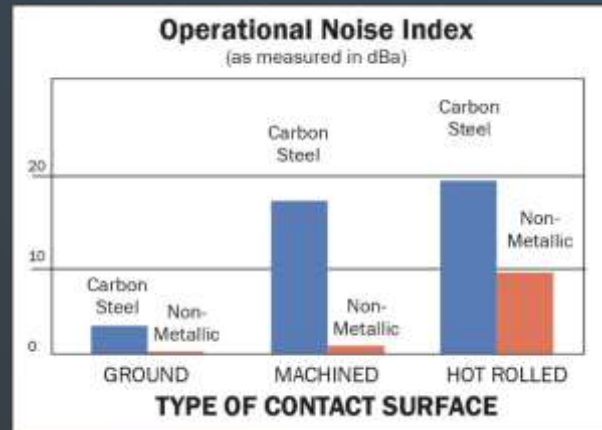
Dependable performance under high speeds and combination loads.

### SYNTHETIC LUBRICANT

High performance grease resistant to break down to minimize downtime.

### HOW QUIET ARE PCI NON-METALLIC TRACK ROLLERS?

PCI's Non-Metallic roller body design absorbs vibration and reduces the likelihood of metal on metal sparking to provide reliable Non-Sparking, Quiet Performance. PCI® Non-Metallic Rollers are more than 10 dBa quieter than their metallic counterparts – that's a 50% reduction in sound over traditional carbon steel Track Roller and Cam Follower products.



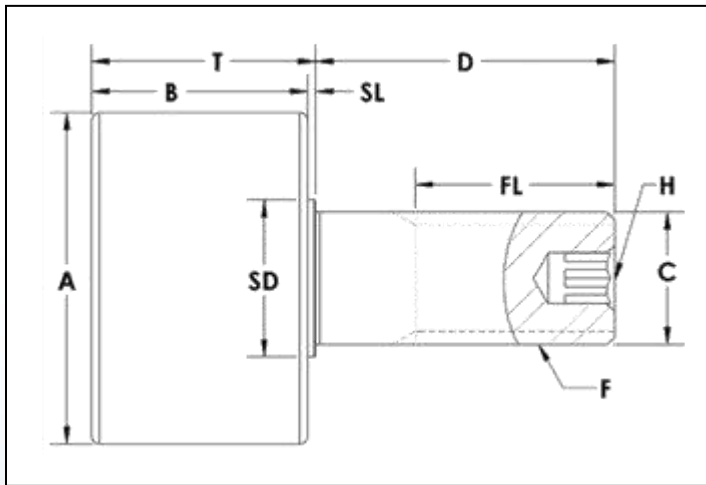
\*Features dependent on size and style of unit. See specifications for details.

# NPTR Series Track Roller Assembly

Plain/Cylindrical – Stud Type Concentric  
Non-Metallic Roller Body - Ball Bearings



(989)358-6148  
www.pcimfg.com



FEATURING  
∞ INFINITY ROLLER™  
TECHNOLOGY

Stud Type Track Roller Part Number	A	B	C	D	F	FL	H	SD	SL	T
	Roller Dia. +.000 -.001	Roller Width	Stud Dia. +.000 -.001	Stud Length	Thread Size	Thread Length	Hex Size	Shoulder Dia.	Shoulder Length	Roller Width + Shoulder Length
NPTR-1.00	1.000	0.75	0.437	1.00	7/16 - 20	0.50	3/16	0.5	0.03	0.78
NPTR-1.125	1.125	0.75	0.437	1.00	7/16 - 20	0.50	3/16	0.5	0.03	0.78
NPTR-1.25	1.250	0.81	0.500	1.25	1/2 - 20	0.63	3/16	0.6	0.03	0.84
NPTR-1.375	1.375	0.81	0.500	1.25	1/2 - 20	0.63	3/16	0.6	0.03	0.84
NPTR-1.50	1.500	1.13	0.625	1.50	5/8 - 18	0.75	5/16	0.8	0.06	1.19
NPTR-1.75	1.750	1.13	0.750	1.75	3/4 - 16	0.88	5/16	0.9	0.06	1.19
NPTR-2.00	2.000	1.63	0.875	2.00	7/8 - 14	1.13	5/16	1.0	0.06	1.69
NPTR-2.25	2.250	1.63	0.875	2.00	7/8 - 14	1.13	5/16	1.0	0.06	1.69
NPTR-2.50	2.500	1.63	1.000	2.25	1 - 14	1.50	3/8	1.2	0.06	1.69
NPTR-2.75	2.750	1.63	1.000	2.25	1 - 14	1.50	3/8	1.2	0.06	1.69
NPTR-3.00A	3.000	1.94	1.250	2.50	1 1/4 - 12	1.75	1/2	1.5	0.06	2.00
NPTR-3.25A	3.250	1.94	1.250	2.50	1 1/4 - 12	1.75	1/2	1.5	0.06	2.00
NPTR-3.50A	3.500	1.94	1.250	2.75	1 1/4 - 12	1.75	1/2	1.5	0.06	2.00
NPTR-4.00A	4.000	1.94	1.250	2.75	1 1/4 - 12	1.75	1/2	1.5	0.06	2.00

# NPTR Series Track Roller Assembly

Plain/Cylindrical – Stud Type Concentric  
Non-Metallic Roller Body - Ball Bearings



## ADDITIONAL NOTES

\*For lubricated threads, use half the maximum clamping torque value shown.

DGBB: Deep Groove Ball Bearings – Alloy Steel

FEATURING ∞ INFINITY ROLLER™ TECHNOLOGY

Jam Nut & Lock Washer sets are available at an additional cost.

For stainless steel internals, add a “-SS” to the end of the part number. (See “-SS” page for specifications)

For regreaseable provisions, add a “-R” to the end of the part number. (See “-R” page for specifications)

Specifications subject to change without notice.

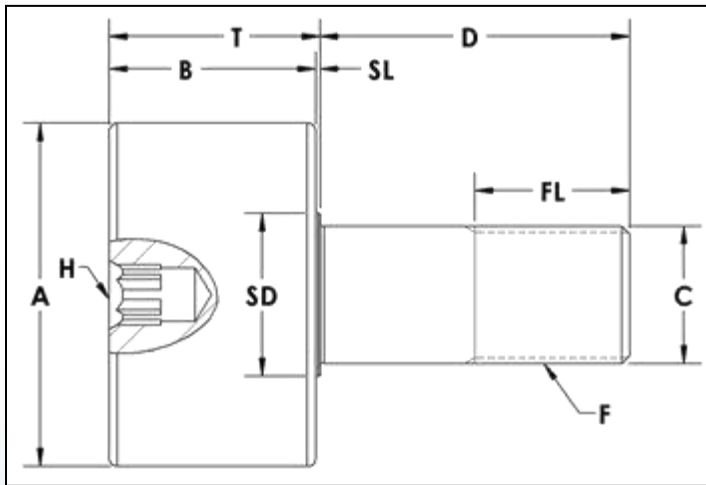
Stud Type Track Roller Part Number	Basic Radial Dynamic Load Rating (lbs) C	Basic Radial Static Load Rating (lbs) Co	Thrust Dynamic Load Rating (lbs)	Thrust Static Load Rating (lbs)	Stud Capacity (lbs)	Rotational Tread Capacity (lbs)	Stationary Tread Capacity (lbs)	Retaining Ring Capacity (lbs)	Max. Clamping Torque (in-lbs)*	Seal Type	Bearing Type	Approx. Roller Weight (lbs)
NPTR-1.00	956	480	331	60	530	113	34	470	180	Rubber Lip	DGBB	0.11
NPTR-1.125	956	480	331	60	530	127	38	470	180	Rubber Lip	DGBB	0.12
NPTR-1.25	1,231	640	430	80	930	152	46	470	180	Rubber Lip	DGBB	0.20
NPTR-1.375	1,231	640	430	80	930	167	50	470	180	Rubber Lip	DGBB	0.21
NPTR-1.50	2,651	1,394	1,101	348	1,670	254	76	550	350	Rubber Lip	DGBB	0.42
NPTR-1.75	2,651	1,394	1,101	348	1,670	297	89	550	650	Rubber Lip	DGBB	0.55
NPTR-2.00	3,624	2,136	1,563	534	3,480	396	119	900	650	Rubber Lip	DGBB	1.00
NPTR-2.25	3,624	2,136	1,563	534	4,660	550	165	900	650	Rubber Lip	DGBB	1.07
NPTR-2.50	5,390	3,507	2,407	877	6,540	424	127	1,340	650	Rubber Lip	DGBB	1.69
NPTR-2.75	5,390	3,507	2,407	877	8,470	672	202	1,340	650	Rubber Lip	DGBB	1.78
NPTR-3.00A	7,393	5,036	3,358	1,259	13,980	873	262	1,950	1,500	Rubber Lip	DGBB	2.83
NPTR-3.25A	7,393	5,036	3,358	1,259	13,980	946	284	1,950	1,500	Rubber Lip	DGBB	2.95
NPTR-3.50A	7,393	5,036	3,358	1,259	13,980	1,019	306	1,950	1,500	Rubber Lip	DGBB	3.17
NPTR-4.00A	7,393	5,036	3,358	1,259	13,980	1,164	349	1,950	1,500	Rubber Lip	DGBB	3.44

# NPXR Series Roller Assembly

Plain/Cylindrical – Stud Type Concentric  
Non-Metallic Roller Body - Ball Bearings



(989)358-6148  
www.pcimfg.com



FEATURING  
∞ INFINITY ROLLER™  
TECHNOLOGY

Stud Type Track Roller Part Number	A	B	C	D	F	FL	H	SD	SL	T
	Roller Dia. +.000 -.001	Roller Width	Stud Dia. +.000 -.001	Stud Length	Thread Size	Thread Length	Hex Size	Shoulder Dia.	Shoulder Length	Roller Width + Shoulder Length
NPXR-1.50	1.500	0.88	0.625	1.50	5/8 - 18	0.75	5/16	0.8	0.03	0.91
NPXR-1.75	1.750	1.00	0.750	1.75	3/4 - 16	0.88	5/16	0.9	0.03	1.03
NPXR-2.00	2.000	1.25	0.875	2.00	7/8 - 14	1.00	5/16	1.0	0.03	1.28
NPXR-2.25	2.250	1.25	0.875	2.00	7/8 - 14	1.00	5/16	1.0	0.03	1.28
NPXR-2.50	2.500	1.50	1.000	2.25	1 - 14	1.13	3/8	1.2	0.03	1.53
NPXR-2.75	2.750	1.50	1.000	2.25	1 - 14	1.13	3/8	1.2	0.03	1.53
NPXR-3.00A	3.000	1.75	1.250	2.50	1 1/4 - 12	1.25	1/2	1.6	0.03	1.78
NPXR-3.25A	3.250	1.75	1.250	2.50	1 1/4 - 12	1.25	1/2	1.6	0.03	1.78
NPXR-3.50A	3.500	2.00	1.375	2.75	1 3/8 - 12	1.38	1/2	1.8	0.03	2.03
NPXR-4.00A	4.000	2.25	1.500	3.50	1 1/2 - 12	1.50	1/2	1.8	0.03	2.28

# NPXR Series Roller Assembly

Plain/Cylindrical – Stud Type Concentric  
Non-Metallic Roller Body - Ball Bearings



## ADDITIONAL NOTES

\*For lubricated threads, use half the maximum clamping torque value shown.

DGBB: Deep Groove Ball Bearings – Alloy Steel

FEATURING ∞ INFINITY ROLLER™ TECHNOLOGY

Jam Nut & Lock Washer sets are available at an additional cost.

For stainless steel internals, add a “-SS” to the end of the part number. (See “-SS” page for specifications)

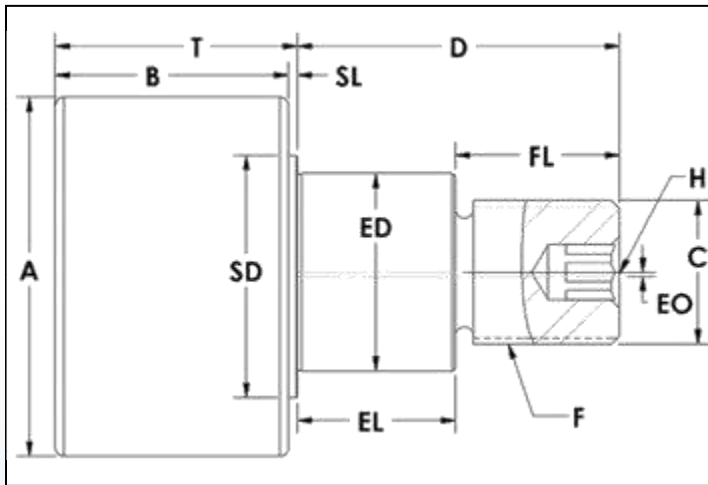
For regreasable provisions, add a “-R” to the end of the part number. (See “-R” page for specifications)

Specifications subject to change without notice.

Stud Type Track Roller Part Number	Basic Radial Dynamic Load Rating (lbs) C	Basic Radial Static Load Rating (lbs) Co	Thrust Dynamic Load Rating (lbs)	Thrust Static Load Rating (lbs)	Stud Capacity (lbs)	Rotational Tread Capacity (lbs)	Stationary Tread Capacity (lbs)	Retaining Ring Capacity (lbs)	Max. Clamping Torque (in-lbs)*	Seal Type	Bearing Type	Approx. Roller Weight (lbs)
NPXR-1.50	1,683	1,147	764	287	3,840	198	59	910	350	Rubber Lip	DGBB	0.31
NPXR-1.75	1,683	1,147	764	287	5,810	263	79	910	650	Rubber Lip	DGBB	0.46
NPXR-2.00	3,624	2,248	1,591	562	5,390	282	85	1,340	650	Rubber Lip	DGBB	0.94
NPXR-2.25	3,624	2,248	1,591	562	7,080	422	127	1,340	650	Rubber Lip	DGBB	0.99
NPXR-2.50	5,390	3,507	2,407	877	7,050	375	113	1,340	1,500	Rubber Lip	DGBB	0.99
NPXR-2.75	5,390	3,507	2,407	877	9,360	619	186	1,340	1,500	Rubber Lip	DGBB	1.00
NPXR-3.00A	6,118	4,586	2,884	1,147	15,710	788	236	1,950	2,250	Rubber Lip	DGBB	1.88
NPXR-3.25A	6,118	4,586	2,884	1,147	15,710	853	256	1,950	2,250	Rubber Lip	DGBB	1.75
NPXR-3.50A	6,483	5,216	3,145	1,304	18,340	1,050	315	3,000	4,200	Rubber Lip	DGBB	2.55
NPXR-4.00A	6,483	5,216	3,145	1,304	21,200	1,350	405	3,000	5,000	Rubber Lip	DGBB	4.75

# NPTRE Series Track Roller Assembly

Plain/Cylindrical – Stud Type Eccentric  
Non-Metallic Roller Body - Ball Bearings



FEATURING  
∞ INFINITY ROLLER™  
TECHNOLOGY

Stud Type Track Roller Part Number	A	B	C	D	ED	EL	EO	F	FL	H	SD	SL	T
	Roller Dia. +.000 -.001	Roller Width	Stud Dia. +.000 -.001	Stud Length	Ecc Dia +.000 -.002	Ecc Length	Ecc Offset	Thread Size	Thread Length	Hex Size	Shoulder Dia.	Shoulder Length	Roller Width + Shoulder Length
NPTRE-1.00	1.000	0.75	0.437	1.00	0.625	0.48	0.03	7/16 - 20	0.52	3/16	0.7	0.03	0.78
NPTRE-1.125	1.125	0.75	0.437	1.00	0.625	0.48	0.03	7/16 - 20	0.52	3/16	0.7	0.03	0.78
NPTRE-1.25	1.250	0.81	0.500	1.25	0.687	0.61	0.03	1/2 - 20	0.65	3/16	0.8	0.03	0.84
NPTRE-1.375	1.375	0.81	0.500	1.25	0.687	0.61	0.03	1/2 - 20	0.65	3/16	0.8	0.03	0.84
NPTRE-1.50	1.500	1.13	0.625	1.50	0.875	0.73	0.03	5/8 - 18	0.77	5/16	1.1	0.06	1.19
NPTRE-1.75	1.750	1.13	0.750	1.75	1.000	0.86	0.03	3/4 - 16	0.90	5/16	1.3	0.06	1.19
NPTRE-2.00	2.000	1.63	0.875	2.00	1.187	0.98	0.03	7/8 - 14	1.02	5/16	1.5	0.06	1.69
NPTRE-2.25	2.250	1.63	0.875	2.00	1.187	0.98	0.03	7/8 - 14	1.02	5/16	1.5	0.06	1.69
NPTRE-2.50	2.500	1.63	1.000	2.25	1.375	1.11	0.03	1 - 14	1.15	3/8	1.7	0.06	1.69
NPTRE-2.75	2.750	1.63	1.000	2.25	1.375	1.11	0.03	1 - 14	1.15	3/8	1.7	0.06	1.69
NPTRE-3.00A	3.000	1.94	1.250	2.50	1.750	1.23	0.06	1 1/4 - 12	1.27	1/2	2.2	0.06	2.00
NPTRE-3.25A	3.250	1.94	1.250	2.50	1.750	1.23	0.06	1 1/4 - 12	1.27	1/2	2.2	0.06	2.00
NPTRE-3.50A	3.500	1.94	1.250	2.75	1.812	1.36	0.06	1 1/4 - 12	1.40	1/2	2.2	0.06	2.00
NPTRE-4.00A	4.000	1.94	1.250	2.75	1.812	1.36	0.06	1 1/4 - 12	1.40	1/2	2.2	0.06	2.00

# NPTRE Series Track Roller Assembly

Plain/Cylindrical – Stud Type Eccentric  
Non-Metallic Roller Body - Ball Bearings



## ADDITIONAL NOTES

\*For lubricated threads, use half the maximum clamping torque value shown.

DGBB: Deep Groove Ball Bearings – Alloy Steel

FEATURING ∞ INFINITY ROLLER™ TECHNOLOGY

Jam Nut & Lock Washer sets are available at an additional cost.

For stainless steel internals, add a “-SS” to the end of the part number. (See “-SS” page for specifications)

For regreaseable provisions, add a “-R” to the end of the part number. (See “-R” page for specifications)

Specifications subject to change without notice.

Stud Type Track Roller Part Number	Basic Radial Dynamic Load Rating (lbs) C	Basic Radial Static Load Rating (lbs) Co	Thrust Dynamic Load Rating (lbs)	Thrust Static Load Rating (lbs)	Stud Capacity (lbs)	Rotational Tread Capacity (lbs)	Stationary Tread Capacity (lbs)	Retaining Ring Capacity (lbs)	Max. Clamping Torque (in-lbs)*	Seal Type	Bearing Type	Approx. Roller Weight (lbs)
NPTRE-1.00	956	480	331	60	530	113	34	470	180	Rubber Lip	DGBB	0.14
NPTRE-1.125	956	480	331	60	530	127	38	470	180	Rubber Lip	DGBB	0.14
NPTRE-1.25	1,231	640	430	80	930	152	46	470	180	Rubber Lip	DGBB	0.22
NPTRE-1.375	1,231	640	430	80	930	167	50	470	180	Rubber Lip	DGBB	0.24
NPTRE-1.50	2,651	1,394	1,101	348	1,670	254	76	550	350	Rubber Lip	DGBB	0.49
NPTRE-1.75	2,651	1,394	1,101	348	1,670	297	89	550	650	Rubber Lip	DGBB	0.65
NPTRE-2.00	3,624	2,136	1,563	534	3,480	396	119	900	650	Rubber Lip	DGBB	1.21
NPTRE-2.25	3,624	2,136	1,563	534	4,660	550	165	900	650	Rubber Lip	DGBB	1.28
NPTRE-2.50	5,390	3,507	2,407	877	6,540	424	127	1,340	650	Rubber Lip	DGBB	1.96
NPTRE-2.75	5,390	3,507	2,407	877	8,470	672	202	1,340	650	Rubber Lip	DGBB	2.04
NPTRE-3.00A	7,393	5,036	3,358	1,259	13,980	873	262	1,950	1,500	Rubber Lip	DGBB	3.42
NPTRE-3.25A	7,393	5,036	3,358	1,259	13,980	946	284	1,950	1,500	Rubber Lip	DGBB	3.70
NPTRE-3.50A	7,393	5,036	3,358	1,259	13,980	1,019	306	1,950	1,500	Rubber Lip	DGBB	4.00
NPTRE-4.00A	7,393	5,036	3,358	1,259	13,980	1,164	349	1,950	1,500	Rubber Lip	DGBB	4.14

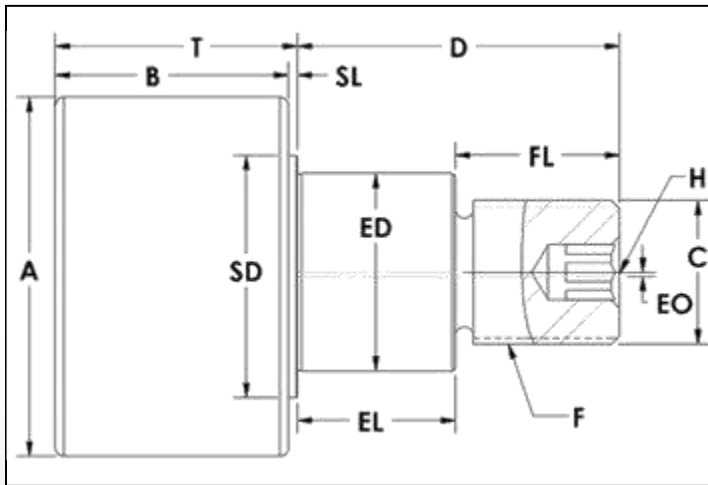


# NPXRE Series Roller Assembly

Plain/Cylindrical – Stud Type Eccentric  
Non-Metallic Roller Body - Ball Bearings



(989)358-6148  
www.pcimfg.com



FEATURING  
∞ INFINITY ROLLER™  
TECHNOLOGY

Stud Type Track Roller Part Number	A Roller Dia. +.000 -.001	B Roller Width	C Stud Dia.	D Stud Length	ED Ecc Dia +.000 -.002	EL Ecc Length	EO Ecc Offset	F Thread Size	FL Thread Length	H Hex Size	SD Shoulder Dia.	SL Shoulder Length	T Roller Width + Shoulder Length
NPXRE-1.50	1.500	0.88	0.625	1.50	0.875	0.75	0.03	5/8 - 18	0.75	5/16	1.0	0.03	0.91
NPXRE-1.75	1.750	1.00	0.750	1.75	1.000	0.88	0.03	3/4 - 16	0.90	5/16	1.2	0.03	1.03
NPXRE-2.00	2.000	1.25	0.875	2.00	1.187	1.00	0.03	7/8 - 14	1.00	5/16	1.5	0.03	1.28
NPXRE-2.25	2.250	1.25	0.875	2.00	1.187	1.00	0.03	7/8 - 14	1.00	5/16	1.5	0.03	1.28
NPXRE-2.50	2.500	1.50	1.000	2.25	1.375	1.12	0.03	1 - 14	1.13	3/8	1.9	0.03	1.53
NPXRE-2.75	2.750	1.50	1.000	2.25	1.375	1.12	0.03	1 - 14	1.13	3/8	1.9	0.03	1.53
NPXRE-3.00A	3.000	1.75	1.250	2.50	1.750	1.23	0.06	1 1/4 - 12	1.27	1/2	2.2	0.03	1.78
NPXRE-3.25A	3.250	1.75	1.250	2.50	1.750	1.23	0.06	1 1/4 - 12	1.27	1/2	2.2	0.03	1.78
NPXRE-3.50A	3.500	2.00	1.375	2.75	1.812	1.37	0.06	1 3/8 - 12	1.39	1/2	2.5	0.03	2.03
NPXRE-4.00A	4.000	2.25	1.500	3.50	2.000	2.00	0.06	1 1/2 - 12	1.50	1/2	2.5	0.03	2.28

# NPXRE Series Roller Assembly

Plain/Cylindrical – Stud Type Eccentric  
Non-Metallic Roller Body - Ball Bearings



## ADDITIONAL NOTES

\*For lubricated threads, use half the maximum clamping torque value shown.

DGGB: Deep Groove Ball Bearings – Alloy Steel

FEATURING ∞ INFINITY ROLLER™ TECHNOLOGY

Jam Nut & Lock Washer sets are available at an additional cost.

For stainless steel internals, add a “-SS” to the end of the part number. (See “-SS” page for specifications)

For regreasable provisions, add a “-R” to the end of the part number. (See “-R” page for specifications)

Specifications subject to change without notice.

Stud Type Track Roller Part Number	Basic Radial Dynamic Load Rating (lbs) C	Basic Radial Static Load Rating (lbs) Co	Thrust Dynamic Load Rating (lbs)	Thrust Static Load Rating (lbs)	Stud Capacity (lbs)	Rotational Tread Capacity (lbs)	Stationary Tread Capacity (lbs)	Retaining Ring Capacity (lbs)	Max. Clamping Torque (in-lbs)*	Seal Type	Bearing Type	Approx. Roller Weight (lbs)
NPXRE-1.50	1,683	1,147	764	287	3,840	198	59	910	350	Rubber Lip	DGGB	0.39
NPXRE-1.75	1,683	1,147	764	287	5,810	263	79	910	650	Rubber Lip	DGGB	0.55
NPXRE-2.00	3,624	2,248	1,591	562	5,390	282	85	1,340	650	Rubber Lip	DGGB	1.17
NPXRE-2.25	3,624	2,248	1,591	562	7,080	422	127	1,340	650	Rubber Lip	DGGB	1.27
NPXRE-2.50	5,390	3,507	2,407	877	7,050	375	113	1,340	1,500	Rubber Lip	DGGB	1.25
NPXRE-2.75	5,390	3,507	2,407	877	9,360	619	186	1,340	1,500	Rubber Lip	DGGB	1.29
NPXRE-3.00A	6,118	4,586	2,884	1,147	15,710	788	236	1,950	2,250	Rubber Lip	DGGB	2.32
NPXRE-3.25A	6,118	4,586	2,884	1,147	15,710	853	256	1,950	2,250	Rubber Lip	DGGB	1.94
NPXRE-3.50A	6,483	5,216	3,145	1,304	18,340	1,050	315	3,000	4,200	Rubber Lip	DGGB	3.09
NPXRE-4.00A	6,483	5,216	3,145	1,304	21,200	1,350	405	3,000	5,000	Rubber Lip	DGGB	5.61

# NPTRY Series Track Roller Assembly

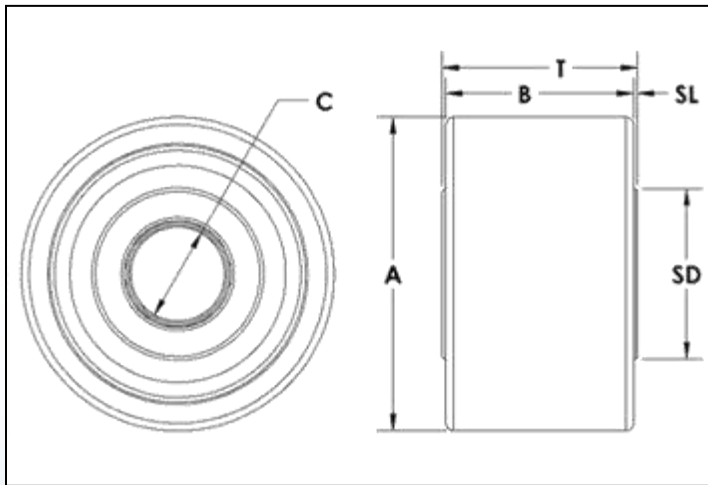
Plain/Cylindrical – Yoke Type

Non-Metallic Roller Body - Ball Bearings



(989)358-6148

www.pcimfg.com



FEATURING  
∞ INFINITY ROLLER™  
TECHNOLOGY

Yoke Type Track Roller Part Number	A	B	C	SD	SL	T
	Roller Dia. +.000 -.001	Roller Width	Bore Dia. +.0007 -.0000	Shoulder Dia.	Shoulder Length	Inner Race Width +.005 -.010
NPTRY-1.50	1.500	0.880	0.4380	0.9	0.03	0.937
NPTRY-1.75	1.750	1.000	0.5005	0.9	0.03	1.063
NPTRY-2.00	2.000	1.250	0.6255	1.1	0.03	1.313
NPTRY-2.25	2.250	1.250	0.6255	1.1	0.03	1.313
NPTRY-2.50	2.500	1.500	0.7505	1.2	0.03	1.563
NPTRY-2.75	2.750	1.500	0.7505	1.2	0.03	1.563
NPTRY-3.00A	3.000	1.750	1.0005	1.8	0.03	1.813
NPTRY-3.25A	3.250	1.750	1.0005	1.8	0.03	1.813
NPTRY-3.50A	3.500	2.000	1.1255	2.0	0.03	2.063
NPTRY-4.00A	4.000	2.250	1.2505	2.0	0.03	2.313

Optional PCI Yoke Shaft	Optional PCI Eccentric Yoke Shaft
YSH-.437	YSHE-.437
YSH-.500	YSHE-.500
YSH-.625	YSHE-.625
YSH-.625	YSHE-.625
YSH-.750	YSHE-.750
YSH-.750	YSHE-.750
YSH-1.000	YSHE-1.000
YSH-1.000	YSHE-1.000
YSH-1.125	YSHE-1.125
YSH-1.250	YSHE-1.250

# NPTRY Series Track Roller Assembly

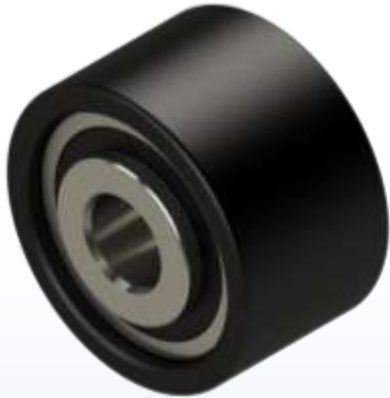
Plain/Cylindrical – Yoke Type

Non-Metallic Roller Body - Ball Bearings



(989)358-6148

www.pcimfg.com



## ADDITIONAL NOTES

DGGB: Deep Groove Ball Bearings – Alloy Steel

FEATURING ∞ INFINITY ROLLER™ TECHNOLOGY

PCI Heavy Duty Yoke Shafts are available at an additional cost. See YSH page for details.

For stainless steel internals, add a “-SS” to the end of the part number. (See “PTRY-SS” page for specifications)

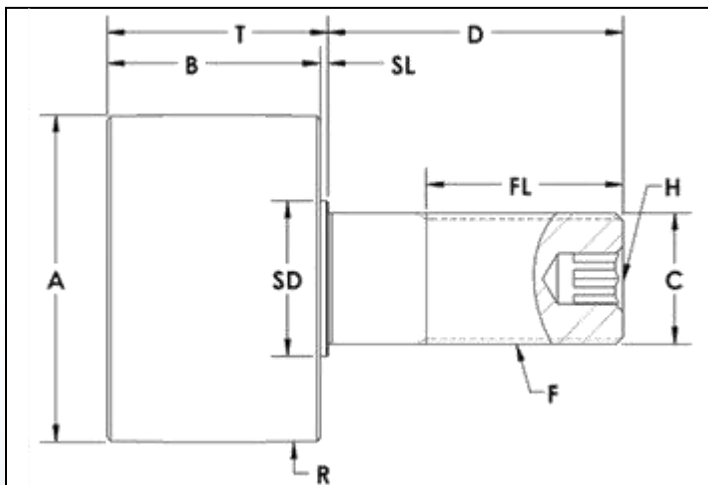
For regreasable provisions, add a “-R” to the end of the part number. (See “PTRY-R” page for specifications)

Specifications subject to change without notice.

Yoke Type Track Roller Part Number	Basic Radial Dynamic Load Rating (lbs) C	Basic Radial Static Load Rating (lbs) Co	Thrust Dynamic Load Rating (lbs)	Thrust Static Load Rating (lbs)	Rotational Tread Capacity (lbs)	Stationary Tread Capacity (lbs)	Seal Type	Bearing Type	Approx. Roller Weight (lbs)
NPTRY-1.50	1,683	1,147	764	287	198	59	Rubber Lip	DGGB	0.18
NPTRY-1.75	1,683	1,147	764	287	263	79	Rubber Lip	DGGB	0.21
NPTRY-2.00	3,624	2,248	1,591	562	282	85	Rubber Lip	DGGB	0.53
NPTRY-2.25	3,624	2,248	1,591	562	422	127	Rubber Lip	DGGB	0.59
NPTRY-2.50	5,390	3,507	2,407	877	375	113	Rubber Lip	DGGB	1.02
NPTRY-2.75	5,390	3,507	2,407	877	619	186	Rubber Lip	DGGB	1.09
NPTRY-3.00A	6,118	4,586	2,884	1,147	788	236	Rubber Lip	DGGB	1.51
NPTRY-3.25A	6,118	4,586	2,884	1,147	853	256	Rubber Lip	DGGB	1.61
NPTRY-3.50A	6,483	5,216	3,145	1,304	1,050	315	Rubber Lip	DGGB	2.15
NPTRY-4.00A	6,483	5,216	3,145	1,304	1,350	405	Rubber Lip	DGGB	2.69

# NCTR Series Track Roller Assembly

Crowned/Spherical – Stud Type Concentric  
Non-Metallic Roller Body - Ball Bearings



FEATURING  
∞ INFINITY ROLLER™  
TECHNOLOGY

Stud Type Track Roller Part Number	A	B	C	D	F	FL	H	R	SD	SL	T
	Roller Dia. +.000 -.001	Roller Width	Stud Dia. +.000 -.001	Stud Length	Thread Size	Thread Length	Hex Size	Crown Radius	Shoulder Dia.	Shoulder Length	Roller Width + Shoulder Length
NCTR-1.00	1.000	0.75	0.437	1.00	7/16 - 20	0.50	3/16	12	0.5	0.03	0.78
NCTR-1.125	1.125	0.75	0.437	1.00	7/16 - 20	0.50	3/16	12	0.5	0.03	0.78
NCTR-1.25	1.250	0.81	0.500	1.25	1/2 - 20	0.63	3/16	14	0.6	0.03	0.84
NCTR-1.375	1.375	0.81	0.500	1.25	1/2 - 20	0.63	3/16	14	0.6	0.03	0.84
NCTR-1.50	1.500	1.13	0.625	1.50	5/8 - 18	0.75	5/16	20	0.8	0.06	1.19
NCTR-1.75	1.750	1.13	0.750	1.75	3/4 - 16	0.88	5/16	20	0.9	0.06	1.19
NCTR-2.00	2.000	1.63	0.875	2.00	7/8 - 14	1.13	5/16	24	1.0	0.06	1.69
NCTR-2.25	2.250	1.63	0.875	2.00	7/8 - 14	1.13	5/16	24	1.0	0.06	1.69
NCTR-2.50	2.500	1.63	1.000	2.25	1 - 14	1.50	3/8	30	1.2	0.06	1.69
NCTR-2.75	2.750	1.63	1.000	2.25	1 - 14	1.50	3/8	30	1.2	0.06	1.69
NCTR-3.00A	3.000	1.94	1.250	2.50	1 1/4 - 12	1.75	1/2	30	1.5	0.06	2.00
NCTR-3.25A	3.250	1.94	1.250	2.50	1 1/4 - 12	1.75	1/2	30	1.5	0.06	2.00
NCTR-3.50A	3.500	1.94	1.250	2.75	1 1/4 - 12	1.75	1/2	30	1.5	0.06	2.00
NCTR-4.00A	4.000	1.94	1.250	2.75	1 1/4 - 12	1.75	1/2	30	1.5	0.06	2.00

# NCTR Series Track Roller Assembly

Crowned/Spherical – Stud Type Concentric  
Non-Metallic Roller Body - Ball Bearings



## ADDITIONAL NOTES

\*For lubricated threads, use half the maximum clamping torque value shown.

DGBB: Deep Groove Ball Bearings – Alloy Steel

FEATURING ∞ INFINITY ROLLER™ TECHNOLOGY

Jam Nut & Lock Washer sets are available at an additional cost.

For stainless steel internals, add a “-SS” to the end of the part number. (See “-SS” page for specifications)

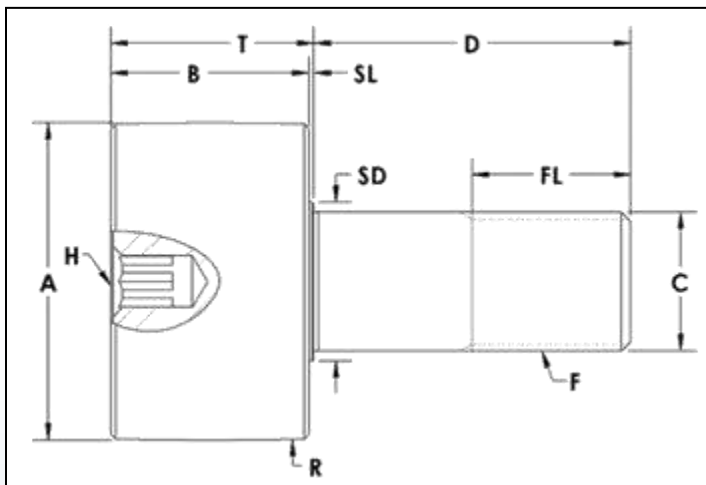
For regreaseable provisions, add a “-R” to the end of the part number. (See “-R” page for specifications)

Specifications subject to change without notice.

Stud Type Track Roller Part Number	Basic Radial Dynamic Load Rating (lbs) C	Basic Radial Static Load Rating (lbs) Co	Thrust Dynamic Load Rating (lbs)	Thrust Static Load Rating (lbs)	Stud Capacity (lbs)	Rotational Tread Capacity (lbs)	Stationary Tread Capacity (lbs)	Retaining Ring Capacity (lbs)	Max. Clamping Torque (in-lbs)*	Seal Type	Bearing Type	Approx. Roller Weight (lbs)
NCTR-1.00	956	480	331	60	530	113	34	470	180	Rubber Lip	DGBB	0.11
NCTR-1.125	956	480	331	60	530	127	38	470	180	Rubber Lip	DGBB	0.12
NCTR-1.25	1,231	640	430	80	930	152	46	470	180	Rubber Lip	DGBB	0.20
NCTR-1.375	1,231	640	430	80	930	167	50	470	180	Rubber Lip	DGBB	0.21
NCTR-1.50	2,651	1,394	1,101	348	1,670	254	76	550	350	Rubber Lip	DGBB	0.42
NCTR-1.75	2,651	1,394	1,101	348	1,670	297	89	550	650	Rubber Lip	DGBB	0.55
NCTR-2.00	3,624	2,136	1,563	534	3,480	396	119	900	650	Rubber Lip	DGBB	1.00
NCTR-2.25	3,624	2,136	1,563	534	3,480	446	134	900	650	Rubber Lip	DGBB	1.07
NCTR-2.50	5,390	3,507	2,407	877	6,540	424	127	1,340	650	Rubber Lip	DGBB	1.69
NCTR-2.75	5,390	3,507	2,407	877	6,540	466	140	1,340	650	Rubber Lip	DGBB	1.78
NCTR-3.00A	7,393	5,036	3,358	1,259	13,980	873	262	1,950	1,500	Rubber Lip	DGBB	2.83
NCTR-3.25A	7,393	5,036	3,358	1,259	13,980	946	284	1,950	1,500	Rubber Lip	DGBB	2.95
NCTR-3.50A	7,393	5,036	3,358	1,259	13,980	1,019	306	1,950	1,500	Rubber Lip	DGBB	3.17
NCTR-4.00A	7,393	5,036	3,358	1,259	13,980	1,164	349	1,950	1,500	Rubber Lip	DGBB	3.44

# NCXR Series Roller Assembly

Crowned/Spherical – Stud Type Concentric  
Non-Metallic Roller Body - Ball Bearings



FEATURING  
∞ INFINITY ROLLER™  
TECHNOLOGY

Stud Type Track Roller Part Number	A Roller Dia. +0.000 -0.001	B Roller Width	C Stud Dia. +0.000 -0.001	D Stud Length	F Thread Size	FL Thread Length	H Hex Size	R Crown Radius	SD Shoulder Dia.	SL Shoulder Length	T Roller Width + Shoulder Length
NCXR-1.50	1.500	0.88	0.625	1.50	5/8 - 18	0.75	5/16	20	0.8	0.03	0.91
NCXR-1.75	1.750	1.00	0.750	1.75	3/4 - 16	0.88	5/16	20	0.9	0.03	1.03
NCXR-2.00	2.000	1.25	0.875	2.00	7/8 - 14	1.00	5/16	24	1.0	0.03	1.28
NCXR-2.25	2.250	1.25	0.875	2.00	7/8 - 14	1.00	5/16	24	1.0	0.03	1.28
NCXR-2.50	2.500	1.50	1.000	2.25	1 - 14	1.13	3/8	30	1.2	0.03	1.53
NCXR-2.75	2.750	1.50	1.000	2.25	1 - 14	1.13	3/8	30	1.2	0.03	1.53
NCXR-3.00A	3.000	1.75	1.250	2.50	1 1/4 - 12	1.25	1/2	30	1.6	0.03	1.78
NCXR-3.25A	3.250	1.75	1.250	2.50	1 1/4 - 12	1.25	1/2	30	1.6	0.03	1.78
NCXR-3.50A	3.500	2.00	1.375	2.75	1 3/8 - 12	1.38	1/2	30	1.8	0.03	2.03
NCXR-4.00A	4.000	2.25	1.500	3.50	1 1/2 - 12	1.50	1/2	30	1.8	0.03	2.28

# NCXR Series Roller Assembly

Crowned/Spherical – Stud Type Concentric  
Non-Metallic Roller Body - Ball Bearings



## ADDITIONAL NOTES

\*For lubricated threads, use half the maximum clamping torque value shown.

DGGB: Deep Groove Ball Bearings – Alloy Steel

FEATURING ∞ INFINITY ROLLER™ TECHNOLOGY

Jam Nut & Lock Washer sets are available at an additional cost.

For stainless steel internals, add a “-SS” to the end of the part number. (See “-SS” page for specifications)

For regreasable provisions, add a “-R” to the end of the part number. (See “-R” page for specifications)

Specifications subject to change without notice.

Stud Type Track Roller Part Number	Basic Radial Dynamic Load Rating (lbs) C	Basic Radial Static Load Rating (lbs) Co	Thrust Dynamic Load Rating (lbs)	Thrust Static Load Rating (lbs)	Stud Capacity (lbs)	Rotational Tread Capacity (lbs)	Stationary Tread Capacity (lbs)	Retaining Ring Capacity (lbs)	Max. Clamping Torque (in-lbs)*	Seal Type	Bearing Type	Approx. Roller Weight (lbs)
NCXR-1.50	1,683	1,147	764	287	3,840	198	59	910	350	Rubber Lip	DGGB	0.31
NCXR-1.75	1,683	1,147	764	287	5,810	263	79	910	650	Rubber Lip	DGGB	0.46
NCXR-2.00	3,624	2,248	1,591	562	5,390	282	85	1,340	650	Rubber Lip	DGGB	0.94
NCXR-2.25	3,624	2,248	1,591	562	7,080	422	127	1,340	650	Rubber Lip	DGGB	0.99
NCXR-2.50	5,390	3,507	2,407	877	7,050	375	113	1,340	1,500	Rubber Lip	DGGB	0.99
NCXR-2.75	5,390	3,507	2,407	877	9,360	619	186	1,340	1,500	Rubber Lip	DGGB	1.00
NCXR-3.00A	6,118	4,586	2,884	1,147	15,710	788	236	1,950	2,250	Rubber Lip	DGGB	1.88
NCXR-3.25A	6,118	4,586	2,884	1,147	15,710	853	256	1,950	2,250	Rubber Lip	DGGB	1.75
NCXR-3.50A	6,483	5,216	3,145	1,304	18,340	1,050	315	3,000	4,200	Rubber Lip	DGGB	2.55
NCXR-4.00A	6,483	5,216	3,145	1,304	21,200	1,350	405	3,000	5,000	Rubber Lip	DGGB	4.75

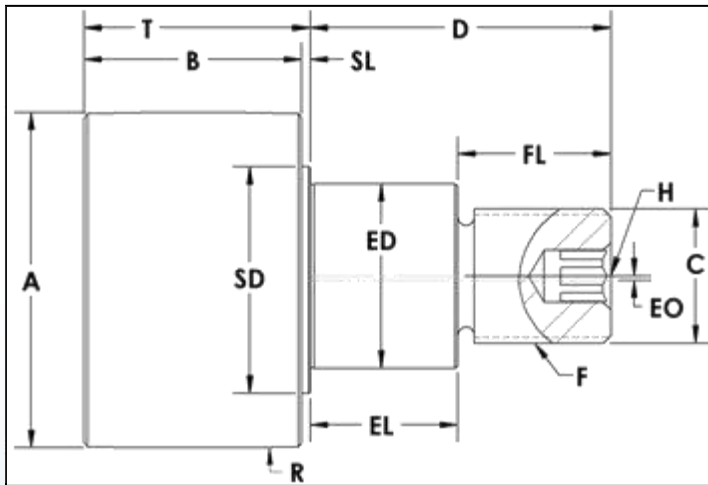


# NCTRE Series Track Roller Assembly

Crowned/Spherical – Stud Type Eccentric  
Non-Metallic Roller Body - Ball Bearings



(989)358-6148  
www.pcimfg.com



FEATURING  
∞ INFINITY ROLLER™  
TECHNOLOGY

Stud Type Track Roller Part Number	A	B	C	D	ED	EL	EO	F	FL	H	R	SD	SL	T
	Roller Dia. +.000 -.001	Roller Width	Stud Dia. +.000 -.001	Stud Length	Ecc Dia +.000 -.002	Ecc Length	Ecc Offset	Thread Size	Thread Length	Hex Size	Crown Radius	Shoulder Dia.	Shoulder Length	Roller Width + Shoulder Length
NCTRE-1.00	1.000	0.75	0.437	1.00	0.625	0.48	0.03	7/16 - 20	0.52	3/16	12	0.7	0.03	0.78
NCTRE-1.125	1.125	0.75	0.437	1.00	0.625	0.48	0.03	7/16 - 20	0.52	3/16	12	0.7	0.03	0.78
NCTRE-1.25	1.250	0.81	0.500	1.25	0.687	0.61	0.03	1/2 - 20	0.65	3/16	14	0.8	0.03	0.84
NCTRE-1.375	1.375	0.81	0.500	1.25	0.687	0.61	0.03	1/2 - 20	0.65	3/16	14	0.8	0.03	0.84
NCTRE-1.50	1.500	1.13	0.625	1.50	0.875	0.73	0.03	5/8 - 18	0.77	5/16	20	1.1	0.06	1.19
NCTRE-1.75	1.750	1.13	0.750	1.75	1.000	0.86	0.03	3/4 - 16	0.90	5/16	20	1.3	0.06	1.19
NCTRE-2.00	2.000	1.63	0.875	2.00	1.187	0.98	0.03	7/8 - 14	1.02	5/16	24	1.5	0.06	1.69
NCTRE-2.25	2.250	1.63	0.875	2.00	1.187	0.98	0.03	7/8 - 14	1.02	5/16	24	1.5	0.06	1.69
NCTRE-2.50	2.500	1.63	1.000	2.25	1.375	1.11	0.03	1 - 14	1.15	3/8	30	1.7	0.06	1.69
NCTRE-2.75	2.750	1.63	1.000	2.25	1.375	1.11	0.03	1 - 14	1.15	3/8	30	1.7	0.06	1.69
NCTRE-3.00A	3.000	1.94	1.250	2.50	1.750	1.23	0.06	1 1/4 - 12	1.27	1/2	30	2.2	0.06	2.00
NCTRE-3.25A	3.250	1.94	1.250	2.50	1.750	1.23	0.06	1 1/4 - 12	1.27	1/2	30	2.2	0.06	2.00
NCTRE-3.50A	3.500	1.94	1.250	2.75	1.812	1.36	0.06	1 1/4 - 12	1.40	1/2	30	2.2	0.06	2.00
NCTRE-4.00A	4.000	1.94	1.250	2.75	1.812	1.36	0.06	1 1/4 - 12	1.40	1/2	30	2.2	0.06	2.00

# NCTRE Series Track Roller Assembly

Crowned/Spherical – Stud Type Eccentric  
Non-Metallic Roller Body - Ball Bearings



## ADDITIONAL NOTES

\*For lubricated threads, use half the maximum clamping torque value shown.

DGBB: Deep Groove Ball Bearings – Alloy Steel

FEATURING ∞ INFINITY ROLLER™ TECHNOLOGY

Jam Nut & Lock Washer sets are available at an additional cost.

For stainless steel internals, add a “-SS” to the end of the part number. (See “-SS” page for specifications)

For regreaseable provisions, add a “-R” to the end of the part number. (See “-R” page for specifications)

Specifications subject to change without notice.

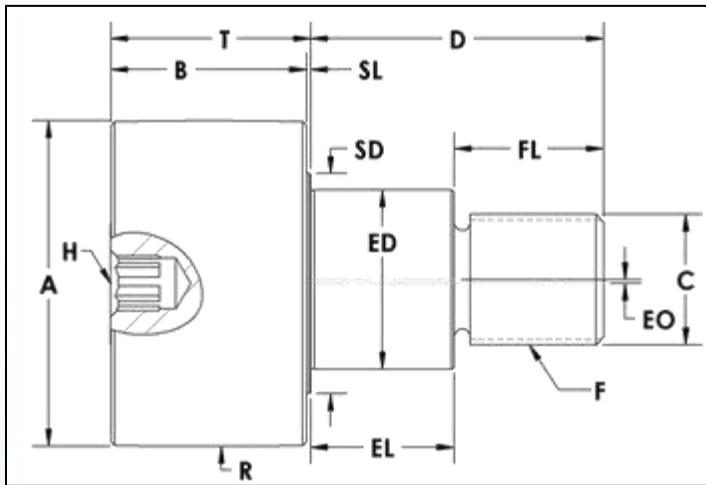
Stud Type Track Roller Part Number	Basic Radial Dynamic Load Rating (lbs) C	Basic Radial Static Load Rating (lbs) Co	Thrust Dynamic Load Rating (lbs)	Thrust Static Load Rating (lbs)	Stud Capacity (lbs)	Rotational Tread Capacity (lbs)	Stationary Tread Capacity (lbs)	Retaining Ring Capacity (lbs)	Max. Clamping Torque (in-lbs)*	Seal Type	Bearing Type	Approx. Roller Weight (lbs)
NCTRE-1.00	956	480	331	60	530	113	34	470	180	Rubber Lip	DGBB	0.14
NCTRE-1.125	956	480	331	60	530	127	38	470	180	Rubber Lip	DGBB	0.14
NCTRE-1.25	1,231	640	430	80	930	152	46	470	180	Rubber Lip	DGBB	0.20
NCTRE-1.375	1,231	640	430	80	930	167	50	470	180	Rubber Lip	DGBB	0.22
NCTRE-1.50	2,651	1,394	1,101	348	1,670	254	76	550	350	Rubber Lip	DGBB	0.47
NCTRE-1.75	2,651	1,394	1,101	348	1,670	297	89	550	650	Rubber Lip	DGBB	0.63
NCTRE-2.00	3,624	2,136	1,563	534	3,480	396	119	900	650	Rubber Lip	DGBB	1.19
NCTRE-2.25	3,624	2,136	1,563	534	4,660	550	165	900	650	Rubber Lip	DGBB	1.19
NCTRE-2.50	5,390	3,507	2,407	877	6,540	424	127	1,340	650	Rubber Lip	DGBB	1.83
NCTRE-2.75	5,390	3,507	2,407	877	8,470	672	202	1,340	650	Rubber Lip	DGBB	1.89
NCTRE-3.00A	7,393	5,036	3,358	1,259	13,980	873	262	1,950	1,500	Rubber Lip	DGBB	3.30
NCTRE-3.25A	7,393	5,036	3,358	1,259	13,980	946	284	1,950	1,500	Rubber Lip	DGBB	3.58
NCTRE-3.50A	7,393	5,036	3,358	1,259	13,980	1,019	306	1,950	1,500	Rubber Lip	DGBB	3.85
NCTRE-4.00A	7,393	5,036	3,358	1,259	13,980	1,164	349	1,950	1,500	Rubber Lip	DGBB	3.92

# NCXRE Series Roller Assembly

Crowned/Spherical – Stud Type Eccentric  
Non-Metallic Roller Body - Ball Bearings



(989)358-6148  
www.pcimfg.com



FEATURING  
∞ INFINITY ROLLER™  
TECHNOLOGY

Stud Type Track Roller Part Number	A	B	C	D	ED	EL	EO	F	FL	H	R	SD	SL	T
	Roller Dia. +.000 -.001	Roller Width	Stud Dia.	Stud Length	Ecc Dia +.000 -.002	Ecc Length	Ecc Offset	Thread Size	Thread Length	Hex Size	Crown Radius	Shoulder Dia.	Shoulder Length	Roller Width + Shoulder Length
NCXRE-1.50	1.500	0.88	0.625	1.50	0.875	0.75	0.03	5/8 - 18	0.75	5/16	20	1.0	0.03	0.91
NCXRE-1.75	1.750	1.00	0.750	1.75	1.000	0.88	0.03	3/4 - 16	0.90	5/16	20	1.2	0.03	1.03
NCXRE-2.00	2.000	1.25	0.875	2.00	1.187	1.00	0.03	7/8 - 14	1.00	5/16	24	1.5	0.03	1.28
NCXRE-2.25	2.250	1.25	0.875	2.00	1.187	1.00	0.03	7/8 - 14	1.00	5/16	24	1.5	0.03	1.28
NCXRE-2.50	2.500	1.50	1.000	2.25	1.375	1.12	0.03	1 - 14	1.13	3/8	30	1.9	0.03	1.53
NCXRE-2.75	2.750	1.50	1.000	2.25	1.375	1.12	0.03	1 - 14	1.13	3/8	30	1.9	0.03	1.53
NCXRE-3.00A	3.000	1.75	1.250	2.50	1.750	1.23	0.06	1 1/4 - 12	1.27	1/2	30	2.2	0.03	1.78
NCXRE-3.25A	3.250	1.75	1.250	2.50	1.750	1.23	0.06	1 1/4 - 12	1.27	1/2	30	2.2	0.03	1.78
NCXRE-3.50A	3.500	2.00	1.375	2.75	1.812	1.37	0.06	1 3/8 - 12	1.39	1/2	30	2.5	0.03	2.03
NCXRE-4.00A	4.000	2.25	1.500	3.50	2.000	2.00	0.06	1 1/2 - 12	1.50	1/2	30	2.5	0.03	2.28

# NCXRE Series Roller Assembly

Crowned/Spherical – Stud Type Eccentric  
Non-Metallic Roller Body - Ball Bearings



## ADDITIONAL NOTES

\*For lubricated threads, use half the maximum clamping torque value shown.

DGGB: Deep Groove Ball Bearings – Alloy Steel

FEATURING ∞ INFINITY ROLLER™ TECHNOLOGY

Jam Nut & Lock Washer sets are available at an additional cost.

For stainless steel internals, add a “-SS” to the end of the part number. (See “-SS” page for specifications)

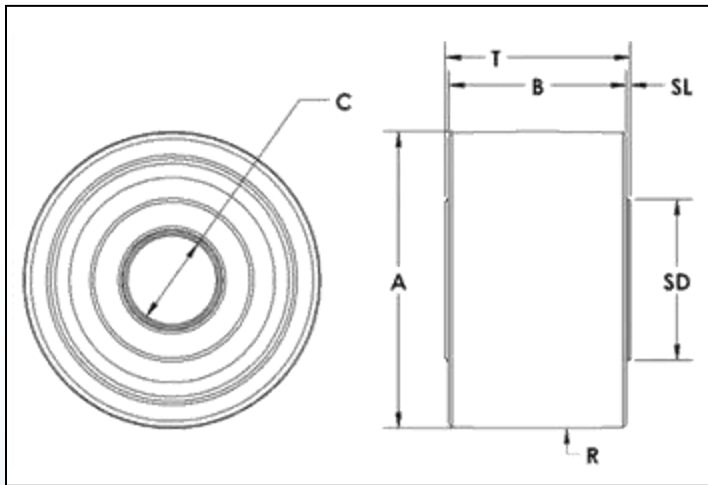
For regreasable provisions, add a “-R” to the end of the part number. (See “-R” page for specifications)

Specifications subject to change without notice.

Stud Type Track Roller Part Number	Basic Radial Dynamic Load Rating (lbs) C	Basic Radial Static Load Rating (lbs) Co	Thrust Dynamic Load Rating (lbs)	Thrust Static Load Rating (lbs)	Stud Capacity (lbs)	Rotational Tread Capacity (lbs)	Stationary Tread Capacity (lbs)	Retaining Ring Capacity (lbs)	Max. Clamping Torque (in-lbs)*	Seal Type	Bearing Type	Approx. Roller Weight (lbs)
NCXRE-1.50	1,683	1,147	764	287	3,840	198	59	910	350	Rubber Lip	DGGB	0.39
NCXRE-1.75	1,683	1,147	764	287	5,810	263	79	910	650	Rubber Lip	DGGB	0.55
NCXRE-2.00	3,624	2,248	1,591	562	5,390	282	85	1,340	650	Rubber Lip	DGGB	1.17
NCXRE-2.25	3,624	2,248	1,591	562	7,080	422	127	1,340	650	Rubber Lip	DGGB	1.27
NCXRE-2.50	5,390	3,507	2,407	877	7,050	375	113	1,340	1,500	Rubber Lip	DGGB	1.25
NCXRE-2.75	5,390	3,507	2,407	877	9,360	619	186	1,340	1,500	Rubber Lip	DGGB	1.29
NCXRE-3.00A	6,118	4,586	2,884	1,147	15,710	788	236	1,950	2,250	Rubber Lip	DGGB	2.32
NCXRE-3.25A	6,118	4,586	2,884	1,147	15,710	853	256	1,950	2,250	Rubber Lip	DGGB	1.94
NCXRE-3.50A	6,483	5,216	3,145	1,304	18,340	1,050	315	3,000	4,200	Rubber Lip	DGGB	3.09
NCXRE-4.00A	6,483	5,216	3,145	1,304	21,200	1,350	405	3,000	5,000	Rubber Lip	DGGB	5.61

# NCTRY Series Track Roller Assembly

Crowned/Spherical – Yoke Type  
Non-Metallic Roller Body - Ball Bearings



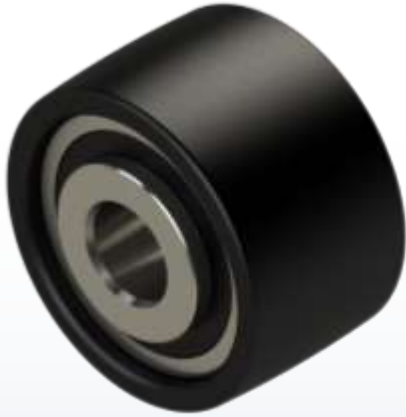
FEATURING  
∞ INFINITY ROLLER™  
TECHNOLOGY

Yoke Type Track Roller Part Number	A Roller Dia. +.000 -.001	B Roller Width	C Bore Dia. +.0007 -.0000	R Crown Radius	SD Shoulder Dia.	SL Shoulder Length	T Inner Race Width +.005 -.010
NCTRY-1.50	1.500	0.880	0.4380	20	0.9	0.03	0.937
NCTRY-1.75	1.750	1.000	0.5005	20	0.9	0.03	1.063
NCTRY-2.00	2.000	1.250	0.6255	24	1.1	0.03	1.313
NCTRY-2.25	2.250	1.250	0.6255	24	1.1	0.03	1.313
NCTRY-2.50	2.500	1.500	0.7505	30	1.2	0.03	1.563
NCTRY-2.75	2.750	1.500	0.7505	30	1.2	0.03	1.563
NCTRY-3.00A	3.000	1.750	1.0005	30	1.8	0.03	1.813
NCTRY-3.25A	3.250	1.750	1.0005	30	1.8	0.03	1.813
NCTRY-3.50A	3.500	2.000	1.1255	30	2.0	0.03	2.063
NCTRY-4.00A	4.000	2.250	1.2505	30	2.0	0.03	2.313

Optional PCI Yoke Shaft	Optional PCI Eccentric Yoke Shaft
YSH-.437	YSHE-.437
YSH-.500	YSHE-.500
YSH-.625	YSHE-.625
YSH-.625	YSHE-.625
YSH-.750	YSHE-.750
YSH-.750	YSHE-.750
YSH-1.000	YSHE-1.000
YSH-1.000	YSHE-1.000
YSH-1.125	YSHE-1.125
YSH-1.250	YSHE-1.250

# NCTRY Series Track Roller Assembly

Crowned/Spherical – Yoke Type  
Non-Metallic Roller Body - Ball Bearings



## ADDITIONAL NOTES

DGGB: Deep Groove Ball Bearings – Alloy Steel

FEATURING ∞ INFINITY ROLLER™ TECHNOLOGY

PCI Heavy Duty Yoke Shafts are available at an additional cost. See YSH page for details.

For stainless steel internals, add a “-SS” to the end of the part number. (See “CTRY-SS” page for specifications)

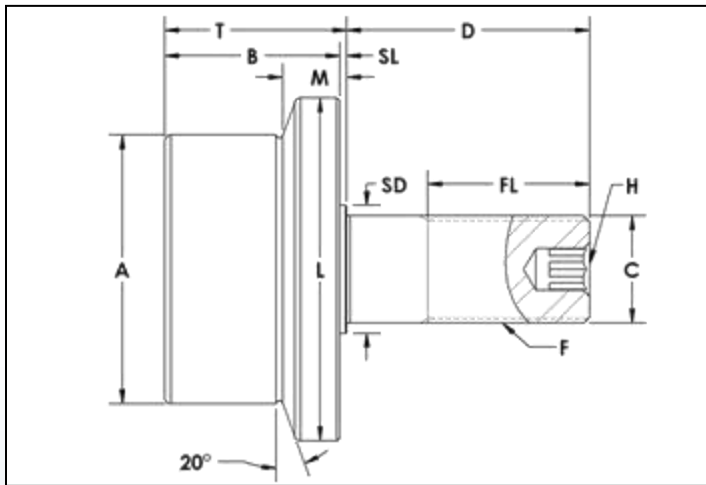
For regreasable provisions, add a “-R” to the end of the part number. (See “CTRY-R” page for specifications)

Specifications subject to change without notice.

Yoke Type Track Roller Part Number	Basic Radial Dynamic Load Rating (lbs) C	Basic Radial Static Load Rating (lbs) Co	Thrust Dynamic Load Rating (lbs)	Thrust Static Load Rating (lbs)	Rotational Tread Capacity (lbs)	Stationary Tread Capacity (lbs)	Seal Type	Bearing Type	Approx. Roller Weight (lbs)
NCTRY-1.50	1,683	1,147	764	287	198	59	Rubber Lip	DGGB	0.18
NCTRY-1.75	1,683	1,147	764	287	263	79	Rubber Lip	DGGB	0.21
NCTRY-2.00	3,624	2,248	1,591	562	282	85	Rubber Lip	DGGB	0.53
NCTRY-2.25	3,624	2,248	1,591	562	422	127	Rubber Lip	DGGB	0.59
NCTRY-2.50	5,390	3,507	2,407	877	375	113	Rubber Lip	DGGB	1.02
NCTRY-2.75	5,390	3,507	2,407	877	619	186	Rubber Lip	DGGB	1.09
NCTRY-3.00A	6,118	4,586	2,884	1,147	788	236	Rubber Lip	DGGB	1.51
NCTRY-3.25A	6,118	4,586	2,884	1,147	853	256	Rubber Lip	DGGB	1.61
NCTRY-3.50A	6,483	5,216	3,145	1,304	1,050	315	Rubber Lip	DGGB	2.15
NCTRY-4.00A	6,483	5,216	3,145	1,304	1,350	405	Rubber Lip	DGGB	2.69

# NFTR Series Track Roller Assembly

Flanged – Stud Type Concentric  
Non-Metallic Roller Body - Ball Bearings



FEATURING  
∞ INFINITY ROLLER™  
TECHNOLOGY

Stud Type Track Roller Part Number	A	B	C	D	F	FL	H	L	M	SD	SL	T
	Roller Dia. +0.001 -0.001	Roller Width	Stud Dia. +0.001 -0.001	Stud Length	Thread Size	Thread Length	Hex Size	Flange Dia	Flange Width	Shoulder Dia.	Shoulder Length	Roller Width + Shoulder Length
NFTR-1.00	1.000	0.75	0.437	1.00	7/16 - 20	0.50	3/16	1.38	0.22	0.5	0.03	0.78
NFTR-1.125	1.125	0.75	0.437	1.00	7/16 - 20	0.50	3/16	1.50	0.22	0.5	0.03	0.78
NFTR-1.25	1.250	0.81	0.500	1.25	1/2 - 20	0.63	3/16	1.56	0.22	0.6	0.03	0.84
NFTR-1.375	1.375	0.81	0.500	1.25	1/2 - 20	0.63	3/16	1.69	0.22	0.6	0.03	0.84
NFTR-1.50-2	1.500	1.00	0.500	1.38	1/2 - 20	0.75	1/4	2.00	0.34	0.6	0.06	1.06
NFTR-1.50	1.500	1.13	0.625	1.50	5/8 - 18	0.75	5/16	2.19	0.34	0.8	0.06	1.19
NFTR-1.75	1.750	1.13	0.750	1.75	3/4 - 16	0.88	5/16	2.44	0.34	0.9	0.06	1.19
NFTR-2.00	2.000	1.63	0.875	2.00	7/8 - 14	1.13	5/16	2.69	0.59	1.0	0.06	1.69
NFTR-2.00-9	2.000	1.63	0.875	2.00	7/8 - 14	1.13	5/16	2.69	0.59*	1.0	0.06	1.69
NFTR-2.25	2.250	1.63	0.875	2.00	7/8 - 14	1.13	5/16	2.94	0.59	1.0	0.06	1.69
NFTR-2.50	2.500	1.63	1.000	2.25	1 - 14	1.50	3/8	3.19	0.59	1.2	0.06	1.69
NFTR-2.75	2.750	1.63	1.000	2.25	1 - 14	1.50	3/8	3.44	0.59	1.2	0.06	1.69
NFTR-3.00A	3.000	1.94	1.250	2.50	1 1/4 - 12	1.75	1/2	3.94	0.59	1.5	0.06	2.00
NFTR-3.25A	3.250	1.94	1.250	2.50	1 1/4 - 12	1.75	1/2	4.19	0.59	1.5	0.06	2.00
NFTR-3.50A	3.500	1.94	1.250	2.75	1 1/4 - 12	1.75	1/2	4.44	0.59	1.5	0.06	2.00
NFTR-4.00A	4.000	1.94	1.250	2.75	1 1/4 - 12	1.75	1/2	4.94	0.59	1.5	0.06	2.00

# NFTR Series Track Roller Assembly

Flanged – Stud Type Concentric  
Non-Metallic Roller Body - Ball Bearings



## ADDITIONAL NOTES

\*For lubricated threads, use half the maximum clamping torque value shown.

DGBB: Deep Groove Ball Bearings – Alloy Steel

FEATURING ∞ INFINITY ROLLER™ TECHNOLOGY

Jam Nut & Lock Washer sets are available at an additional cost.

For stainless steel internals, add a “-SS” to the end of the part number. (See “-SS” page for specifications)

For regreaseable provisions, add a “-R” to the end of the part number. (See “-R” page for specifications)

Specifications subject to change without notice.

Stud Type Track Roller Part Number	Basic Radial Dynamic Load Rating (lbs) C	Basic Radial Static Load Rating (lbs) Co	Thrust Dynamic Load Rating (lbs)	Thrust Static Load Rating (lbs)	Stud Capacity (lbs)	Rotational Tread Capacity (lbs)	Stationary Tread Capacity (lbs)	Retaining Ring Capacity (lbs)	Max. Clamping Torque (in-lbs)*	Seal Type	Bearing Type	Approx. Roller Weight (lbs)
NFTR-1.00	956	480	331	60	380	80	24	470	180	Rubber Lip	DGBB	0.12
NFTR-1.125	956	480	331	60	380	90	27	470	180	Rubber Lip	DGBB	0.12
NFTR-1.25	1,231	640	430	80	700	111	33	470	180	Rubber Lip	DGBB	0.20
NFTR-1.375	1,231	640	430	80	700	122	37	470	180	Rubber Lip	DGBB	0.21
NFTR-1.50-2	2,651	1,394	1,101	348	1,210	178	53	550	350	Rubber Lip	DGBB	0.24
NFTR-1.50	1,857	1,075	662	134	740	149	45	470	250	Rubber Lip	DGBB	0.37
NFTR-1.75	2,651	1,394	1,101	348	1,210	207	62	550	650	Rubber Lip	DGBB	0.53
NFTR-2.00	3,624	2,136	1,563	534	2,840	312	94	900	650	Rubber Lip	DGBB	0.96
NFTR-2.00-9	3,624	2,136	1,563	534	2,840	312	94	900	650	Rubber Lip	DGBB	0.99
NFTR-2.25	3,624	2,136	1,563	534	2,840	351	105	900	650	Rubber Lip	DGBB	1.23
NFTR-2.50	5,390	3,507	2,407	877	6,540	424	127	1,340	650	Rubber Lip	DGBB	1.80
NFTR-2.75	5,390	3,507	2,407	877	6,280	429	129	1,340	650	Rubber Lip	DGBB	2.20
NFTR-3.00A	7,393	5,036	3,358	1,259	10,800	608	182	1,950	1,500	Rubber Lip	DGBB	2.93
NFTR-3.25A	7,393	5,036	3,358	1,259	10,800	658	197	1,950	1,500	Rubber Lip	DGBB	3.06
NFTR-3.50A	7,393	5,036	3,358	1,259	10,800	709	213	1,950	1,500	Rubber Lip	DGBB	3.29
NFTR-4.00A	7,393	5,036	3,358	1,259	10,800	810	243	1,950	1,500	Rubber Lip	DGBB	3.54

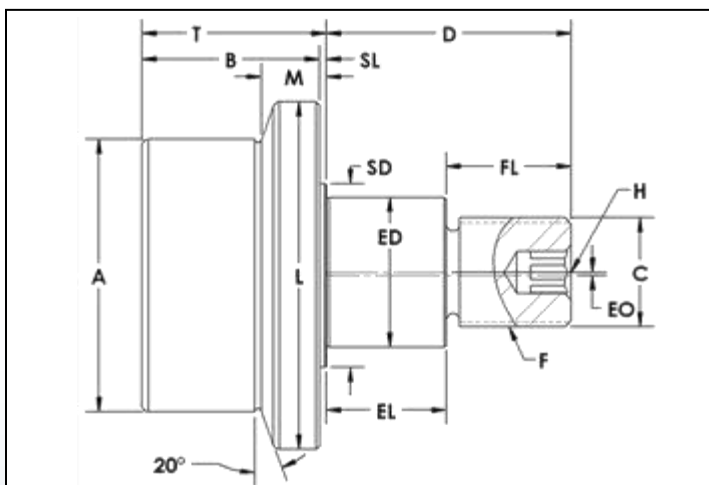


# NFTRE Series Track Roller Assembly

Flanged – Stud Type Eccentric  
Non-Metallic Roller Body - Ball Bearings



(989)358-6148  
www.pcimfg.com



FEATURING  
∞ INFINITY ROLLER™  
TECHNOLOGY

Stud Type Track Roller Part Number	A	B	C	D	ED	EL	EO	F	FL	H	L	M	SD	SL	T
	Roller Dia. +0.000 -0.001	Roller Width	Stud Dia.	Stud Length	Ecc Dia +0.000 -0.002	Ecc Length	Ecc Offset	Thread Size	Thread Length	Hex Size	Flange Dia	Flange Width	Shoulder Dia.	Shoulder Length	Roller Width + Shoulder Length
NFTRE-1.00	1.000	0.75	0.437	1.00	0.625	0.480	0.030	7/16 - 20	0.52	3/16	1.38	0.22	0.7	0.03	0.78
NFTRE-1.125	1.125	0.75	0.437	1.00	0.625	0.480	0.030	7/16 - 20	0.52	3/16	1.50	0.22	0.7	0.03	0.78
NFTRE-1.25	1.250	0.81	0.500	1.25	0.687	0.605	0.030	1/2 - 20	0.65	3/16	1.56	0.22	0.8	0.03	0.84
NFTRE-1.375	1.375	0.81	0.500	1.25	0.687	0.605	0.030	1/2 - 20	0.65	3/16	1.69	0.22	0.8	0.03	0.84
NFTRE-1.50-2	1.500	1.00	0.500	1.38	0.687	0.605	0.030	1/2 - 20	0.75	1/4	2.00	0.34	0.8	0.06	1.06
NFTRE-1.50	1.500	1.13	0.625	1.50	0.875	0.730	0.030	5/8 - 18	0.77	5/16	2.19	0.34	1.1	0.06	1.19
NFTRE-1.75	1.750	1.13	0.750	1.75	1.000	0.855	0.030	3/4 - 16	0.90	5/16	2.44	0.34	1.3	0.06	1.19
NFTRE-2.00	2.000	1.63	0.875	2.00	1.187	0.980	0.030	7/8 - 14	1.02	5/16	2.69	0.59	1.5	0.06	1.69
NFTRE-2.00-9	2.000	1.63	0.875	2.00	1.187	0.980	0.030	7/8 - 14	1.02	5/16	2.69	0.59*	1.5	0.06	1.69
NFTRE-2.25	2.250	1.63	0.875	2.00	1.187	0.980	0.030	7/8 - 14	1.02	5/16	2.94	0.59	1.5	0.06	1.69
NFTRE-2.50	2.500	1.63	1.000	2.25	1.375	1.105	0.030	1 - 14	1.15	3/8	3.19	0.59	1.7	0.06	1.69
NFTRE-2.75	2.750	1.63	1.000	2.25	1.375	1.105	0.030	1 - 14	1.15	3/8	3.44	0.59	1.7	0.06	1.69
NFTRE-3.00A	3.000	1.94	1.250	2.50	1.750	1.230	0.060	1 1/4 - 12	1.27	1/2	3.94	0.59	2.2	0.06	2.00
NFTRE-3.25A	3.250	1.94	1.250	2.50	1.750	1.230	0.060	1 1/4 - 12	1.27	1/2	4.19	0.59	2.2	0.06	2.00
NFTRE-3.50A	3.500	1.94	1.250	2.75	1.812	1.355	0.060	1 1/4 - 12	1.40	1/2	4.44	0.59	2.2	0.06	2.00
NFTRE-4.00A	4.000	1.94	1.250	2.75	1.812	1.355	0.060	1 1/4 - 12	1.40	1/2	4.94	0.59	2.2	0.06	2.00

# NFTRE Series Track Roller Assembly

Flanged – Stud Type Eccentric  
Non-Metallic Roller Body - Ball Bearings



## ADDITIONAL NOTES

\*For lubricated threads, use half the maximum clamping torque value shown.

DGBB: Deep Groove Ball Bearings – Alloy Steel

FEATURING ∞ INFINITY ROLLER™ TECHNOLOGY

Jam Nut & Lock Washer sets are available at an additional cost.

For stainless steel internals, add a “-SS” to the end of the part number. (See “-SS” page for specifications)

For regreaseable provisions, add a “-R” to the end of the part number. (See “-R” page for specifications)

Specifications subject to change without notice.

Stud Type Track Roller Part Number	Basic Radial Dynamic Load Rating (lbs) C	Basic Radial Static Load Rating (lbs) Co	Thrust Dynamic Load Rating (lbs)	Thrust Static Load Rating (lbs)	Stud Capacity (lbs)	Rotational Tread Capacity (lbs)	Stationary Tread Capacity (lbs)	Retaining Ring Capacity (lbs)	Max. Clamping Torque (in-lbs)*	Seal Type	Bearing Type	Approx. Roller Weight (lbs)
NFTRE-1.00	956	480	331	60	380	80	24	470	180	Rubber Lip	DGBB	0.15
NFTRE-1.125	956	480	331	60	380	90	27	470	180	Rubber Lip	DGBB	0.14
NFTRE-1.25	1,231	640	430	80	700	111	33	470	180	Rubber Lip	DGBB	0.22
NFTRE-1.375	1,231	640	430	80	700	122	37	470	180	Rubber Lip	DGBB	0.24
NFTRE-1.50-2	2,651	1,394	1,101	348	1,210	178	53	550	350	Rubber Lip	DGBB	0.27
NFTRE-1.50	1,857	1,075	662	134	740	149	45	470	250	Rubber Lip	DGBB	0.44
NFTRE-1.75	2,651	1,394	1,101	348	1,210	207	62	550	650	Rubber Lip	DGBB	0.63
NFTRE-2.00	3,624	2,136	1,563	534	2,840	312	94	900	650	Rubber Lip	DGBB	1.17
NFTRE-2.00-9	3,624	2,136	1,563	534	2,840	312	94	900	650	Rubber Lip	DGBB	1.20
NFTRE-2.25	3,624	2,136	1,563	534	2,840	351	105	900	650	Rubber Lip	DGBB	1.44
NFTRE-2.50	5,390	3,507	2,407	877	6,540	424	127	1,340	650	Rubber Lip	DGBB	2.07
NFTRE-2.75	5,390	3,507	2,407	877	6,280	429	129	1,340	650	Rubber Lip	DGBB	2.46
NFTRE-3.00A	7,393	5,036	3,358	1,259	10,800	608	182	1,950	1,500	Rubber Lip	DGBB	3.52
NFTRE-3.25A	7,393	5,036	3,358	1,259	10,800	658	197	1,950	1,500	Rubber Lip	DGBB	3.81
NFTRE-3.50A	7,393	5,036	3,358	1,259	10,800	709	213	1,950	1,500	Rubber Lip	DGBB	4.12
NFTRE-4.00A	7,393	5,036	3,358	1,259	10,800	810	243	1,950	1,500	Rubber Lip	DGBB	4.24

# NFTRY Series Track Roller Assembly

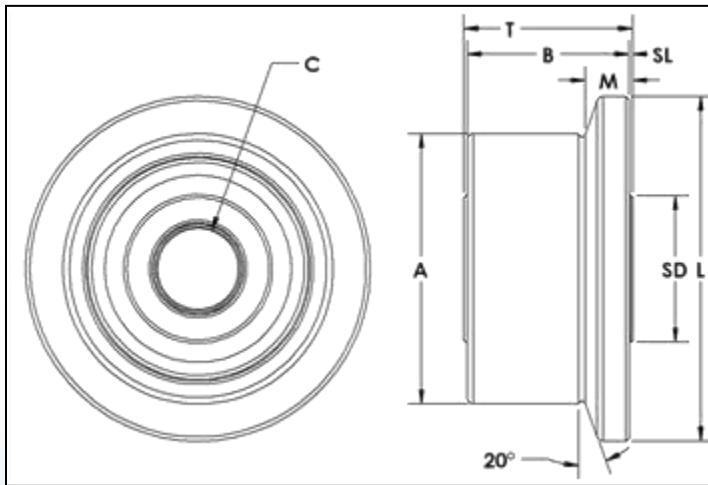
Flanged – Yoke Type

Non-Metallic Roller Body - Ball Bearings



(989)358-6148

www.pcimfg.com



FEATURING  
∞ INFINITY ROLLER™  
TECHNOLOGY

Yoke Type Track Roller Part Number	A	B	C	L	M	SD	SL	T
	Roller Dia. +.000 -.001	Roller Width	Bore Dia. +.0007 -.0000	Flange Dia	Flange Width	Shoulder Dia.	Shoulder Length	Inner Race Width +.005 -.010
NFTRY-1.50	1.500	0.88	0.4380	2.19	0.22	0.9	0.03	0.937
NFTRY-1.75	1.750	1.00	0.5005	2.44	0.25	0.9	0.03	1.063
NFTRY-2.00	2.000	1.25	0.6255	2.69	0.31	1.1	0.03	1.313
NFTRY-2.25	2.250	1.25	0.6255	2.94	0.31	1.1	0.03	1.313
NFTRY-2.50	2.500	1.50	0.7505	3.19	0.50	1.2	0.03	1.563
NFTRY-2.75	2.750	1.50	0.7505	3.44	0.50	1.2	0.03	1.563
NFTRY-3.00A	3.000	1.75	1.0005	3.94	0.59	1.8	0.03	1.813
NFTRY-3.25A	3.250	1.75	1.0005	4.19	0.59	1.8	0.03	1.813
NFTRY-3.50A	3.500	2.00	1.1255	4.44	0.59	2.0	0.03	2.063
NFTRY-4.00A	4.000	2.25	1.2505	4.94	0.59	2.0	0.03	2.313

Optional PCI Yoke Shaft	Optional PCI Eccentric Yoke Shaft
YSH-.437	YSHE-.437
YSH-.500	YSHE-.500
YSH-.625	YSHE-.625
YSH-.625	YSHE-.625
YSH-.750	YSHE-.750
YSH-.750	YSHE-.750
YSH-1.000	YSHE-1.000
YSH-1.000	YSHE-1.000
YSH-1.125	YSHE-1.125
YSH-1.250	YSHE-1.250

# NFTRY Series Track Roller Assembly

Flanged – Yoke Type

Non-Metallic Roller Body - Ball Bearings



(989)358-6148  
www.pcimfg.com



## ADDITIONAL NOTES

DGGB: Deep Groove Ball Bearings – Alloy Steel

FEATURING ∞ INFINITY ROLLER™ TECHNOLOGY

PCI Heavy Duty Yoke Shafts are available at an additional cost. See YSH page for details.

For stainless steel internals, add a “-SS” to the end of the part number. (See “FTRY-SS” page for specifications)

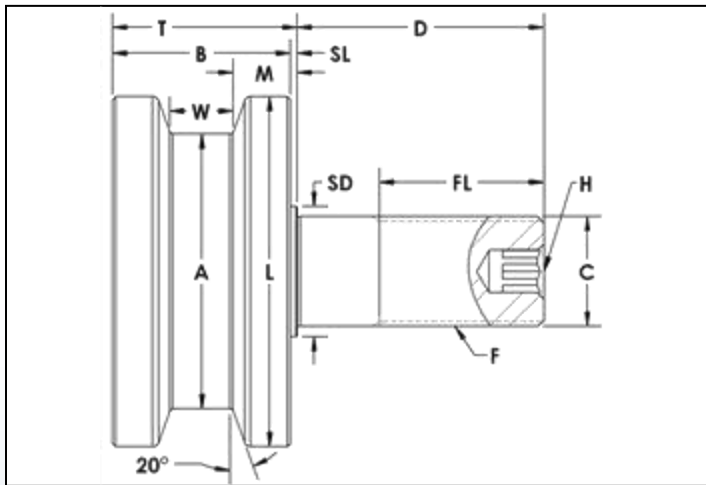
For regreasable provisions, add a “-R” to the end of the part number. (See “FTRY-R” page for specifications)

Specifications subject to change without notice.

Yoke Type Track Roller Part Number	Basic Radial Dynamic Load Rating (lbs) C	Basic Radial Static Load Rating (lbs) Co	Thrust Dynamic Load Rating (lbs)	Thrust Static Load Rating (lbs)	Rotational Tread Capacity (lbs)	Stationary Tread Capacity (lbs)	Seal Type	Bearing Type	Approx. Roller Weight (lbs)
NFTRY-1.50	1,683	1,147	764	287	149	45	Rubber Lip	DGGB	0.19
NFTRY-1.75	1,683	1,147	764	287	197	59	Rubber Lip	DGGB	0.23
NFTRY-2.00	3,624	2,248	1,591	562	282	85	Rubber Lip	DGGB	0.58
NFTRY-2.25	3,624	2,248	1,591	562	317	95	Rubber Lip	DGGB	0.63
NFTRY-2.50	5,390	3,507	2,407	877	375	113	Rubber Lip	DGGB	1.07
NFTRY-2.75	5,390	3,507	2,407	877	413	124	Rubber Lip	DGGB	1.15
NFTRY-3.00A	6,118	4,586	2,884	1,147	522	157	Rubber Lip	DGGB	1.63
NFTRY-3.25A	6,118	4,586	2,884	1,147	566	170	Rubber Lip	DGGB	1.74
NFTRY-3.50A	6,483	5,216	3,145	1,304	740	222	Rubber Lip	DGGB	2.26
NFTRY-4.00A	6,483	5,216	3,145	1,304	996	299	Rubber Lip	DGGB	2.84

# NFFTR Series Track Roller Assembly

Double Flanged – Stud Type Concentric  
Non-Metallic Roller Body - Ball Bearings



FEATURING  
∞ INFINITY ROLLER™  
TECHNOLOGY

Stud Type Track Roller Part Number	A	B	C	D	F	FL	H	L	M	SD	SL	T	W
	Roller Dia.	Roller Width	Stud Dia. +.000 -.001	Stud Length	Thread Size	Thread Length	Hex Size	Flange Dia	Flange Width	Shoulder Dia.	Shoulder Length	Roller Width + Shoulder Length	Tread Width
NFFTR-1.00	1.00	0.75	0.437	1.00	7/16 - 20	0.50	3/16	1.38	0.22	0.5	0.03	0.78	0.37
NFFTR-1.125	1.13	0.75	0.437	1.00	7/16 - 20	0.50	3/16	1.50	0.22	0.5	0.03	0.78	0.37
NFFTR-1.25	1.25	0.81	0.500	1.25	1/2 - 20	0.63	3/16	1.56	0.22	0.6	0.03	0.84	0.43
NFFTR-1.375	1.38	0.81	0.500	1.25	1/2 - 20	0.63	3/16	1.69	0.22	0.6	0.03	0.84	0.43
NFFTR-1.50	1.50	1.13	0.625	1.50	5/8 - 18	0.75	5/16	2.19	0.34	0.8	0.06	1.19	0.57
NFFTR-1.75	1.75	1.13	0.750	1.75	3/4 - 16	0.88	5/16	2.44	0.34	0.9	0.06	1.19	0.57
NFFTR-2.00	2.00	1.63	0.875	2.00	7/8 - 14	1.13	5/16	2.69	0.59	1.0	0.06	1.69	0.57
NFFTR-2.25	2.25	1.63	0.875	2.00	7/8 - 14	1.13	5/16	2.94	0.59	1.0	0.06	1.69	0.57
NFFTR-2.50	2.50	1.63	1.000	2.25	1 - 14	1.50	3/8	3.19	0.59	1.2	0.06	1.69	0.57
NFFTR-2.75	2.75	1.63	1.000	2.25	1 - 14	1.50	3/8	3.44	0.59	1.2	0.06	1.69	0.57
NFFTR-3.00A	3.00	1.94	1.250	2.50	1 1/4 - 12	1.75	1/2	3.94	0.59	1.5	0.06	2.00	0.88
NFFTR-3.25A	3.25	1.94	1.250	2.50	1 1/4 - 12	1.75	1/2	4.19	0.59	1.5	0.06	2.00	0.88
NFFTR-3.50A	3.50	1.94	1.250	2.75	1 1/4 - 12	1.75	1/2	4.44	0.59	1.5	0.06	2.00	0.88
NFFTR-4.00A	4.00	1.94	1.250	2.75	1 1/4 - 12	1.75	1/2	4.94	0.59	1.5	0.06	2.00	0.88

# NFFTR Series Track Roller Assembly

Double Flanged – Stud Type Concentric  
Non-Metallic Roller Body - Ball Bearings



## ADDITIONAL NOTES

\*For lubricated threads, use half the maximum clamping torque value shown.

DGBB: Deep Groove Ball Bearings – Alloy Steel

FEATURING ∞ INFINITY ROLLER™ TECHNOLOGY

Jam Nut & Lock Washer sets are available at an additional cost.

For stainless steel internals, add a “-SS” to the end of the part number. (See “-SS” page for specifications)

For regreaseable provisions, add a “-R” to the end of the part number. (See “-R” page for specifications)

Specifications subject to change without notice.

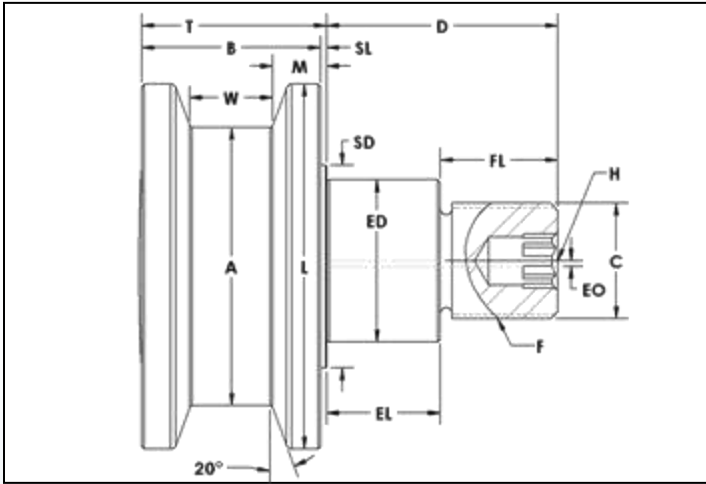
Stud Type Track Roller Part Number	Basic Radial Dynamic Load Rating (lbs) C	Basic Radial Static Load Rating (lbs) Co	Thrust Dynamic Load Rating (lbs)	Thrust Static Load Rating (lbs)	Stud Capacity (lbs)	Rotational Tread Capacity (lbs)	Stationary Tread Capacity (lbs)	Retaining Ring Capacity (lbs)	Max. Clamping Torque (in-lbs)*	Seal Type	Bearing Type	Approx. Roller Weight (lbs)
NFFTR-1.00	956	480	331	60	380	56	17	470	180	Rubber Lip	DGBB	0.12
NFFTR-1.125	956	480	331	60	380	62	19	470	180	Rubber Lip	DGBB	0.13
NFFTR-1.25	1,231	640	430	80	700	81	24	470	180	Rubber Lip	DGBB	0.21
NFFTR-1.375	1,231	640	430	80	700	89	27	470	180	Rubber Lip	DGBB	0.22
NFFTR-1.50	2,651	1,394	1,101	348	1,210	128	38	550	350	Rubber Lip	DGBB	0.46
NFFTR-1.75	2,651	1,394	1,101	348	1,210	150	45	550	650	Rubber Lip	DGBB	0.60
NFFTR-2.00	3,624	2,136	1,563	534	3,480	171	51	900	650	Rubber Lip	DGBB	1.12
NFFTR-2.25	3,624	2,136	1,563	534	3,480	192	58	900	650	Rubber Lip	DGBB	1.20
NFFTR-2.50	5,390	3,507	2,407	877	6,540	214	64	1,340	650	Rubber Lip	DGBB	1.83
NFFTR-2.75	5,390	3,507	2,407	877	6,540	235	71	1,340	650	Rubber Lip	DGBB	1.93
NFFTR-3.00A	7,393	5,036	3,358	1,259	10,800	396	119	1,950	1,500	Rubber Lip	DGBB	3.05
NFFTR-3.25A	7,393	5,036	3,358	1,259	10,800	429	129	1,950	1,500	Rubber Lip	DGBB	3.25
NFFTR-3.50A	7,393	5,036	3,358	1,259	10,800	462	139	1,950	1,500	Rubber Lip	DGBB	3.94
NFFTR-4.00A	7,393	5,036	3,358	1,259	10,800	528	158	1,950	1,500	Rubber Lip	DGBB	4.12

# NFFTRE Series Track Roller Assembly

Double Flanged – Stud Type Eccentric  
Non-Metallic Roller Body - Ball Bearings



(989)358-6148  
www.pcimfg.com



FEATURING  
∞ INFINITY ROLLER™  
TECHNOLOGY

Stud Type Track Roller Part Number	A	B	C	D	ED	EL	EO	F	FL	H	L	M	SD	SL	T	W
	Roller Dia.	Roller Width	Stud Dia.	Stud Length	Ecc Dia +.000 -.002	Ecc Length	Ecc Offset	Thread Size	Thread Length	Hex Size	Flange Dia	Flange Width	Shld Dia.	Shld Length	Roller Width + Shoulder Length	Tread Width
NFFTRE-1.00	1.00	0.75	0.437	1.00	0.625	0.48	0.03	7/16 - 20	0.52	3/16	1.38	0.22	0.7	0.03	0.78	0.37
NFFTRE-1.125	1.13	0.75	0.437	1.00	0.625	0.48	0.03	7/16 - 20	0.52	3/16	1.50	0.22	0.7	0.03	0.78	0.37
NFFTRE-1.25	1.25	0.81	0.500	1.25	0.687	0.61	0.03	1/2 - 20	0.65	3/16	1.56	0.22	0.8	0.03	0.84	0.43
NFFTRE-1.375	1.38	0.81	0.500	1.25	0.687	0.61	0.03	1/2 - 20	0.65	3/16	1.69	0.22	0.8	0.03	0.84	0.43
NFFTRE-1.50	1.50	1.13	0.625	1.50	0.875	0.73	0.03	5/8 - 18	0.77	5/16	2.19	0.34	1.1	0.06	1.19	0.57
NFFTRE-1.75	1.75	1.13	0.750	1.75	1.000	0.86	0.03	3/4 - 16	0.90	5/16	2.44	0.34	1.3	0.06	1.19	0.57
NFFTRE-2.00	2.00	1.63	0.875	2.00	1.187	0.98	0.03	7/8 - 14	1.02	5/16	2.69	0.59	1.5	0.06	1.69	0.57
NFFTRE-2.25	2.25	1.63	0.875	2.00	1.187	0.98	0.03	7/8 - 14	1.02	5/16	2.94	0.59	1.5	0.06	1.69	0.57
NFFTRE-2.50	2.50	1.63	1.000	2.25	1.375	1.11	0.03	1 - 14	1.15	3/8	3.19	0.59	1.7	0.06	1.69	0.57
NFFTRE-2.75	2.75	1.63	1.000	2.25	1.375	1.11	0.03	1 - 14	1.15	3/8	3.44	0.59	1.7	0.06	1.69	0.57
NFFTRE-3.00A	3.00	1.94	1.250	2.50	1.750	1.23	0.06	1 1/4 - 12	1.27	1/2	3.94	0.59	2.2	0.06	2.00	0.88
NFFTRE-3.25A	3.25	1.94	1.250	2.50	1.750	1.23	0.06	1 1/4 - 12	1.27	1/2	4.19	0.59	2.2	0.06	2.00	0.88
NFFTRE-3.50A	3.50	1.94	1.250	2.75	1.812	1.36	0.06	1 1/4 - 12	1.40	1/2	4.44	0.59	2.2	0.06	2.00	0.88
NFFTRE-4.00A	4.00	1.94	1.250	2.75	1.812	1.36	0.06	1 1/4 - 12	1.40	1/2	4.94	0.59	2.2	0.06	2.00	0.88

# NFFTRE Series Track Roller Assembly

Double Flanged – Stud Type Eccentric  
Non-Metallic Roller Body - Ball Bearings



(989)358-6148  
www.pcimfg.com



## ADDITIONAL NOTES

\*For lubricated threads, use half the maximum clamping torque value shown.

DGBB: Deep Groove Ball Bearings – Alloy Steel

FEATURING ∞ INFINITY ROLLER™ TECHNOLOGY

Jam Nut & Lock Washer sets are available at an additional cost.

For stainless steel internals, add a “-SS” to the end of the part number. (See “-SS” page for specifications)

For regreaseable provisions, add a “-R” to the end of the part number. (See “-R” page for specifications)

Specifications subject to change without notice.

Stud Type Track Roller Part Number	Basic Radial Dynamic Load Rating (lbs) C	Basic Radial Static Load Rating (lbs) Co	Thrust Dynamic Load Rating (lbs)	Thrust Static Load Rating (lbs)	Stud Capacity (lbs)	Rotational Tread Capacity (lbs)	Stationary Tread Capacity (lbs)	Retaining Ring Capacity (lbs)	Max. Clamping Torque (in-lbs)*	Seal Type	Bearing Type	Approx. Roller Weight (lbs)
NFFTRE-1.00	956	480	331	60	380	56	17	470	180	Rubber Lip	DGBB	0.15
NFFTRE-1.125	956	480	331	60	380	62	19	470	180	Rubber Lip	DGBB	0.15
NFFTRE-1.25	1,231	640	430	80	700	81	24	470	180	Rubber Lip	DGBB	0.23
NFFTRE-1.375	1,231	640	430	80	700	89	27	470	180	Rubber Lip	DGBB	0.25
NFFTRE-1.50	2,651	1,394	1,101	348	1,210	128	38	550	350	Rubber Lip	DGBB	0.53
NFFTRE-1.75	2,651	1,394	1,101	348	1,210	150	45	550	650	Rubber Lip	DGBB	0.70
NFFTRE-2.00	3,624	2,136	1,563	534	3,480	171	51	900	650	Rubber Lip	DGBB	1.33
NFFTRE-2.25	3,624	2,136	1,563	534	3,480	192	58	900	650	Rubber Lip	DGBB	1.41
NFFTRE-2.50	5,390	3,507	2,407	877	6,540	214	64	1,340	650	Rubber Lip	DGBB	2.10
NFFTRE-2.75	5,390	3,507	2,407	877	6,540	235	71	1,340	650	Rubber Lip	DGBB	2.19
NFFTRE-3.00A	7,393	5,036	3,358	1,259	10,800	396	119	1,950	1,500	Rubber Lip	DGBB	3.64
NFFTRE-3.25A	7,393	5,036	3,358	1,259	10,800	429	129	1,950	1,500	Rubber Lip	DGBB	4.00
NFFTRE-3.50A	7,393	5,036	3,358	1,259	10,800	462	139	1,950	1,500	Rubber Lip	DGBB	4.77
NFFTRE-4.00A	7,393	5,036	3,358	1,259	10,800	528	158	1,950	1,500	Rubber Lip	DGBB	4.82

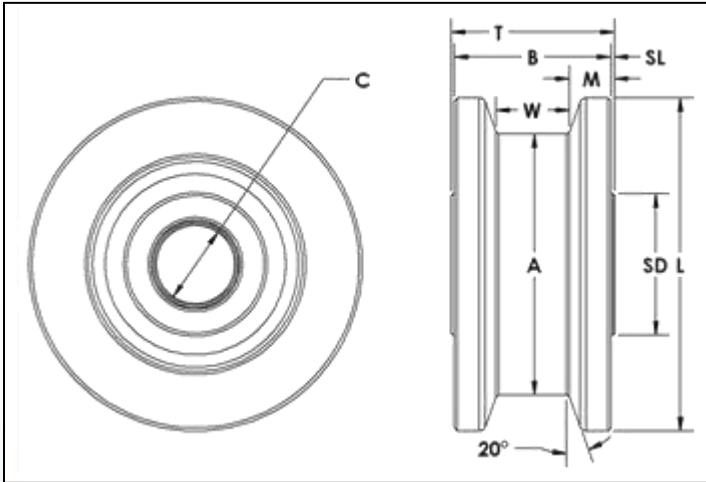


# NFFTRY Series Track Roller Assembly

Double Flanged – Yoke Type  
Non-Metallic Roller Body - Ball Bearings



(989)358-6148  
www.pcimfg.com



FEATURING  
∞ INFINITY ROLLER™  
TECHNOLOGY

Yoke Type Track Roller Part Number	A	B	C	L	M	SD	SL	T	W
	Roller Dia.	Roller Width	Bore Dia. +.0007 -.0000	Flange Dia	Flange Width	Shoulder Dia.	Shoulder Length	Inner Race Width +.005 -.010	Tread Width
NFFTRY-1.50	1.50	0.88	0.4380	2.19	0.22	0.9	0.03	0.937	0.50
NFFTRY-1.75	1.75	1.00	0.5005	2.44	0.25	0.9	0.03	1.063	0.56
NFFTRY-2.00	2.00	1.25	0.6255	2.69	0.31	1.1	0.03	1.313	0.69
NFFTRY-2.25	2.25	1.25	0.6255	2.94	0.31	1.1	0.03	1.313	0.69
NFFTRY-2.50	2.50	1.50	0.7505	3.19	0.50	1.2	0.03	1.563	0.56
NFFTRY-2.75	2.75	1.50	0.7505	3.44	0.50	1.2	0.03	1.563	0.56
NFFTRY-3.00A	3.00	1.75	1.0005	3.94	0.59	1.8	0.03	1.813	0.63
NFFTRY-3.25A	3.25	1.75	1.0005	4.19	0.59	1.8	0.03	1.813	0.63
NFFTRY-3.50A	3.50	2.00	1.1255	4.44	0.59	2.0	0.03	2.063	0.88
NFFTRY-4.00A	4.00	2.25	1.2505	4.94	0.59	2.0	0.03	2.313	1.13

Optional PCI Yoke Shaft	Optional PCI Eccentric Yoke Shaft
YSH-.437	YSHE-.437
YSH-.500	YSHE-.500
YSH-.625	YSHE-.625
YSH-.625	YSHE-.625
YSH-.750	YSHE-.750
YSH-.750	YSHE-.750
YSH-1.000	YSHE-1.000
YSH-1.000	YSHE-1.000
YSH-1.125	YSHE-1.125
YSH-1.250	YSHE-1.250

# NFFTRY Series Track Roller Assembly

Double Flanged – Yoke Type  
Non-Metallic Roller Body - Ball Bearings



(989)358-6148  
www.pcimfg.com



## ADDITIONAL NOTES

DGGB: Deep Groove Ball Bearings – Alloy Steel

FEATURING ∞ INFINITY ROLLER™ TECHNOLOGY

PCI Heavy Duty Yoke Shafts are available at an additional cost. See YSH page for details.

For stainless steel internals, add a “-SS” to the end of the part number. (See “FFTRY-SS” page for specifications)

For regreasable provisions, add a “-R” to the end of the part number. (See “FFTRY-R” page for specifications)

Specifications subject to change without notice.

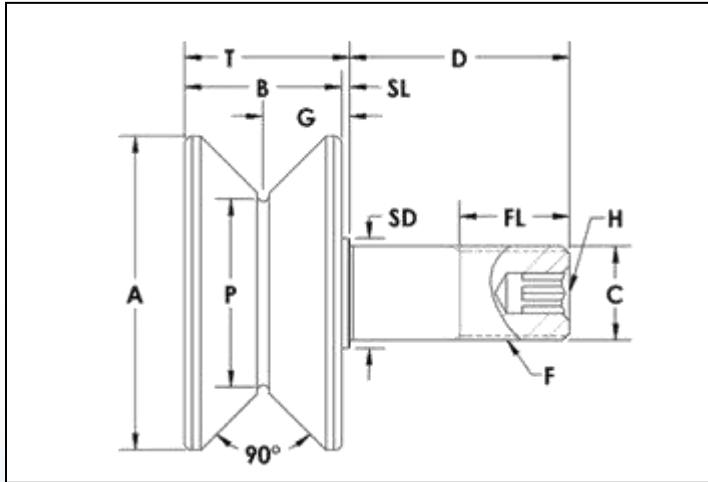
Yoke Type Track Roller Part Number	Basic Radial Dynamic Load Rating (lbs) C	Basic Radial Static Load Rating (lbs) Co	Thrust Dynamic Load Rating (lbs)	Thrust Static Load Rating (lbs)	Rotational Tread Capacity (lbs)	Stationary Tread Capacity (lbs)	Seal Type	Bearing Type	Approx. Roller Weight (lbs)
NFFTRY-1.50	1,683	1,147	764	287	112	34	Rubber Lip	DGGB	0.20
NFFTRY-1.75	1,683	1,147	764	287	148	44	Rubber Lip	DGGB	0.24
NFFTRY-2.00	3,624	2,248	1,591	562	207	62	Rubber Lip	DGGB	0.62
NFFTRY-2.25	3,624	2,248	1,591	562	233	70	Rubber Lip	DGGB	0.68
NFFTRY-2.50	5,390	3,507	2,407	877	211	63	Rubber Lip	DGGB	1.12
NFFTRY-2.75	5,390	3,507	2,407	877	232	70	Rubber Lip	DGGB	1.21
NFFTRY-3.00A	6,118	4,586	2,884	1,147	285	85	Rubber Lip	DGGB	1.75
NFFTRY-3.25A	6,118	4,586	2,884	1,147	307	92	Rubber Lip	DGGB	1.92
NFFTRY-3.50A	6,483	5,216	3,145	1,304	462	139	Rubber Lip	DGGB	2.42
NFFTRY-4.00A	6,483	5,216	3,145	1,304	680	204	Rubber Lip	DGGB	3.00

# NVTR Series Track Roller Assembly

V-Grooved – Stud Type Concentric  
Non-Metallic Roller Body - Ball Bearings



(989)358-6148  
www.pcimfg.com



FEATURING  
∞ INFINITY ROLLER™  
TECHNOLOGY

Stud Type Track Roller Part Number	A	B	C	D	F	FL	G	H	P	SD	SL	T
	Roller Dia.	Roller Width	Stud Dia. +.000 -.001	Stud Length	Thread Size	Thread Length	Groove Center	Hex Size	Point Dia. +.000 -.001	Shoulder Dia.	Shoulder Length	Roller Width + Shoulder Length
NVTR-1.50	1.50	0.75	0.437	1.00	7/16 - 20	0.50	0.39	3/16	1.125	0.5	0.03	0.78
NVTR-2.00	2.00	0.81	0.500	1.25	1/2 - 20	0.63	0.42	3/16	1.375	0.6	0.03	0.84
NVTR-2.50	2.50	1.25	0.750	1.75	3/4 - 16	0.88	0.69	5/16	1.500	0.9	0.06	1.31
NVTR-3.50	3.50	1.63	0.875	2.00	7/8 - 14	1.13	0.88	5/16	2.250	1.0	0.06	1.69
NVTR-4.50A	4.50	1.94	1.250	2.50	1 1/4 - 12	1.75	1.00	1/2	3.000	1.5	0.06	2.00
NVTR-5.50A	5.50	1.94	1.250	2.75	1 1/4 - 12	1.75	1.00	1/2	4.000	1.5	0.06	2.00

# NVTR Series Track Roller Assembly

V-Grooved – Stud Type Concentric  
Non-Metallic Roller Body - Ball Bearings



## ADDITIONAL NOTES

\*For lubricated threads, use half the maximum clamping torque value shown.

DGBB: Deep Groove Ball Bearings – Alloy Steel

FEATURING ∞ INFINITY ROLLER™ TECHNOLOGY

Jam Nut & Lock Washer sets are available at an additional cost.

For stainless steel internals, add a “-SS” to the end of the part number. (See “-SS” page for specifications)

For regreaseable provisions, add a “-R” to the end of the part number. (See “-R” page for specifications)

Specifications subject to change without notice.

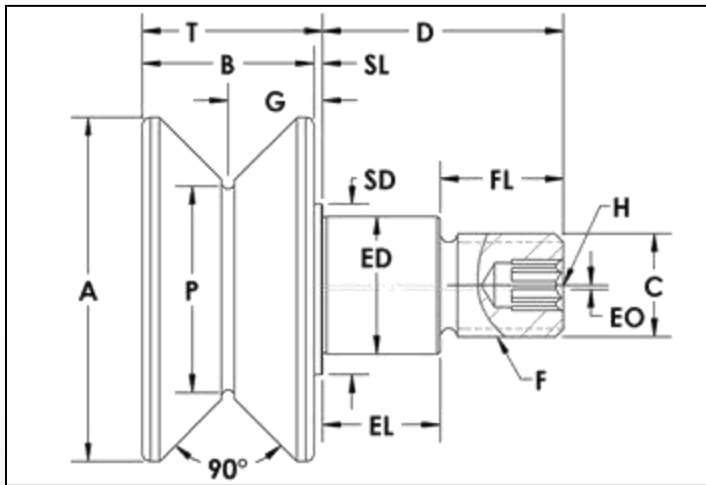
Stud Type Track Roller Part Number	Basic Radial Dynamic Load Rating (lbs) C	Basic Radial Static Load Rating (lbs) Co	Thrust Dynamic Load Rating (lbs)	Thrust Static Load Rating (lbs)	Stud Capacity (lbs)	Rotational Tread Capacity (lbs)	Stationary Tread Capacity (lbs)	Retaining Ring Capacity (lbs)	Max. Clamping Torque (in-lbs)*	Seal Type	Bearing Type	Approx. Roller Weight (lbs)
NVTR-1.50	956	480	331	60	530	63	19	470	180	Rubber Lip	DGBB	0.14
NVTR-2.00	1,231	640	430	80	640	129	39	470	180	Rubber Lip	DGBB	0.25
NVTR-2.50	2,651	1,394	1,101	348	1,070	225	68	550	650	Rubber Lip	DGBB	0.64
NVTR-3.50	4,661	3,012	2,076	753	4,460	422	127	1,340	650	Rubber Lip	DGBB	1.50
NVTR-4.50A	7,393	5,036	3,358	1,259	13,980	675	203	1,950	1,500	Rubber Lip	DGBB	3.31
NVTR-5.50A	7,393	5,036	3,358	1,259	13,980	900	270	1,950	1,500	Rubber Lip	DGBB	4.07

# NVTRE Series Track Roller Assembly

V-Grooved – Stud Type Eccentric  
Non-Metallic Roller Body - Ball Bearings



(989)358-6148  
www.pcimfg.com



FEATURING  
∞ INFINITY ROLLER™  
TECHNOLOGY

Stud Type Track Roller Part Number	A	B	C	D	ED	EL	EO	F	FL	G	H	P	SD	SL	T
	Roller Dia.	Roller Width	Stud Dia. +.000 -.001	Stud Length	Ecc Dia +.000 -.002	Ecc Length	Ecc Offset	Thread Size	Thread Length	Groove Center	Hex Size	Point Dia. +.000 -.001	Shoulder Dia.	Shoulder Length	Roller Width + Shoulder Length
NVTRE-1.50	1.50	0.75	0.437	1.00	0.625	0.48	0.03	7/16 - 20	0.52	0.39	3/16	1.125	0.7	0.03	0.78
NVTRE-2.00	2.00	0.81	0.500	1.25	0.687	0.61	0.03	1/2 - 20	0.65	0.42	3/16	1.375	0.8	0.03	0.84
NVTRE-2.50	2.50	1.25	0.750	1.75	1.000	0.86	0.03	3/4 - 16	0.90	0.69	5/16	1.500	1.3	0.06	1.31
NVTRE-3.50	3.50	1.63	0.875	2.00	1.187	0.98	0.03	7/8 - 14	1.02	0.88	5/16	2.250	1.5	0.06	1.69
NVTRE-4.50A	4.50	1.94	1.250	2.50	1.750	1.23	0.06	1 1/4 - 12	1.27	1.00	1/2	3.000	2.2	0.06	2.00
NVTRE-5.50A	5.50	1.94	1.250	2.75	1.812	1.36	0.06	1 1/4 - 12	1.40	1.00	1/2	4.000	2.2	0.06	2.00

# NVTRE Series Track Roller Assembly

V-Grooved – Stud Type Eccentric  
Non-Metallic Roller Body - Ball Bearings



## ADDITIONAL NOTES

\*For lubricated threads, use half the maximum clamping torque value shown.

DGGB: Deep Groove Ball Bearings – Alloy Steel

FEATURING ∞ INFINITY ROLLER™ TECHNOLOGY

Jam Nut & Lock Washer sets are available at an additional cost.

For stainless steel internals, add a “-SS” to the end of the part number. (See “-SS” page for specifications)

For regreaseable provisions, add a “-R” to the end of the part number. (See “-R” page for specifications)

Specifications subject to change without notice.

Stud Type Track Roller Part Number	Basic Radial Dynamic Load Rating (lbs) C	Basic Radial Static Load Rating (lbs) Co	Thrust Dynamic Load Rating (lbs)	Thrust Static Load Rating (lbs)	Stud Capacity (lbs)	Rotational Tread Capacity (lbs)	Stationary Tread Capacity (lbs)	Retaining Ring Capacity (lbs)	Max. Clamping Torque (in-lbs)*	Seal Type	Bearing Type	Approx. Roller Weight (lbs)
NVTRE-1.50	956	480	331	60	530	63	19	470	180	Rubber Lip	DGGB	0.17
NVTRE-2.00	1,231	640	430	80	640	129	39	470	180	Rubber Lip	DGGB	0.28
NVTRE-2.50	2,651	1,394	1,101	348	1,070	225	68	550	650	Rubber Lip	DGGB	0.71
NVTRE-3.50	4,661	3,012	2,076	753	4,460	422	127	1,340	650	Rubber Lip	DGGB	1.55
NVTRE-4.50A	7,393	5,036	3,358	1,259	13,980	675	203	1,950	1,500	Rubber Lip	DGGB	3.94
NVTRE-5.50A	7,393	5,036	3,358	1,259	13,980	900	270	1,950	1,500	Rubber Lip	DGGB	4.49

# NVTRY Series Track Roller Assembly

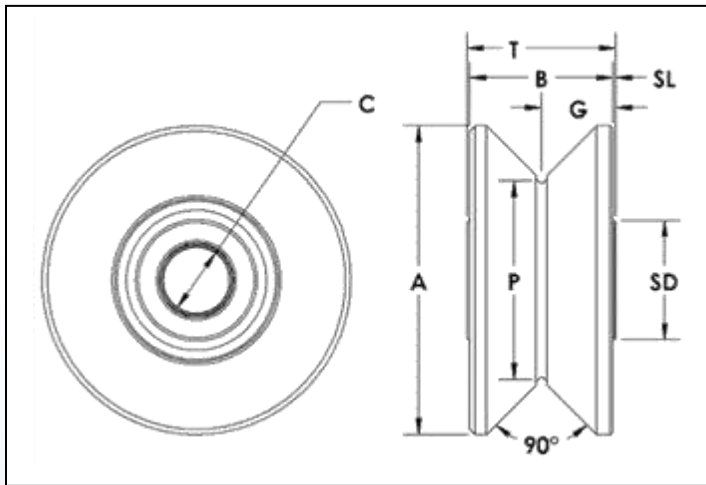
V-Grooved – Yoke Type

Non-Metallic Roller Body - Ball Bearings



(989)358-6148

www.pcimfg.com



FEATURING  
∞ INFINITY ROLLER™  
TECHNOLOGY

Yoke Type Track Roller Part Number	A	B	C	G	P	SD	SL	T
	Roller Dia.	Roller Width	Bore Dia. +.0007 -.0000	Groove Center	Point Dia. +.000 -.001	Shoulder Dia.	Shoulder Length	Inner Race Width +.005 -.010
NVTRY-2.50-9	2.50	0.880	0.4380	0.47	1.750	0.9	0.03	0.937
NVTRY-2.50	2.50	1.250	0.6255	0.66	2.000	1.1	0.03	1.313
NVTRY-3.00	3.00	1.250	0.6255	0.66	2.060	1.1	0.03	1.313
NVTRY-3.50	3.50	1.500	0.7505	0.78	2.250	1.2	0.03	1.563
NVTRY-3.50-9	3.50	1.625	0.7505	0.84	2.250	1.2	0.03	1.687
NVTRY-3.75A	3.75	1.500	0.7505	0.78	2.500	1.2	0.03	1.563
NVTRY-4.50A	4.50	1.750	1.0005	0.91	3.000	1.8	0.03	1.813
NVTRY-5.00A	5.00	2.000	1.1255	1.03	3.500	2.0	0.03	2.063
NVTRY-5.50A	5.50	2.250	1.2505	1.16	4.000	2.0	0.03	2.313

Optional PCI Yoke Shaft	Optional PCI Eccentric Yoke Shaft
YSH-.437	YSHE-.437
YSH-.625	YSHE-.625
YSH-.625	YSHE-.625
YSH-.750	YSHE-.750
YSH-.750	YSHE-.750
YSH-.750	YSHE-.750
YSH-.750	YSHE-.750
YSH-1.000	YSHE-1.000
YSH-1.125	YSHE-1.125
YSH-1.250	YSHE-1.250

# NVTRY Series Track Roller Assembly

V-Grooved – Yoke Type

Non-Metallic Roller Body - Ball Bearings



(989)358-6148  
www.pcimfg.com



## ADDITIONAL NOTES

DGGB: Deep Groove Ball Bearings – Alloy Steel

FEATURING ∞ INFINITY ROLLER™ TECHNOLOGY

PCI Heavy Duty Yoke Shafts are available at an additional cost. See YSH page for details.

For stainless steel internals, add a “-SS” to the end of the part number. (See “VTRY-SS” page for specifications)

For regreasable provisions, add a “-R” to the end of the part number. (See “VTRY-R” page for specifications)

Specifications subject to change without notice.

Yoke Type Track Roller Part Number	Basic Radial Dynamic Load Rating (lbs) C	Basic Radial Static Load Rating (lbs) Co	Thrust Dynamic Load Rating (lbs)	Thrust Static Load Rating (lbs)	Rotational Tread Capacity (lbs)	Stationary Tread Capacity (lbs)	Seal Type	Bearing Type	Approx. Roller Weight (lbs)
NVTRY-2.50-9	1,683	1,147	764	287	197	59	Rubber Lip	DGGB	0.26
NVTRY-2.50	3,624	2,248	1,591	562	150	45	Rubber Lip	DGGB	0.62
NVTRY-3.00	3,624	2,248	1,591	562	290	87	Rubber Lip	DGGB	0.69
NVTRY-3.50	4,334	2,945	1,967	736	422	127	Rubber Lip	DGGB	1.02
NVTRY-3.50-9	4,334	2,945	1,967	736	422	127	Rubber Lip	DGGB	0.97
NVTRY-3.75A	5,390	3,507	2,407	877	469	141	Rubber Lip	DGGB	1.27
NVTRY-4.50A	6,118	4,586	2,884	1,147	675	203	Rubber Lip	DGGB	1.93
NVTRY-5.00A	6,483	5,216	3,145	1,304	788	236	Rubber Lip	DGGB	2.75
NVTRY-5.50A	6,483	5,216	3,145	1,304	900	270	Rubber Lip	DGGB	3.50

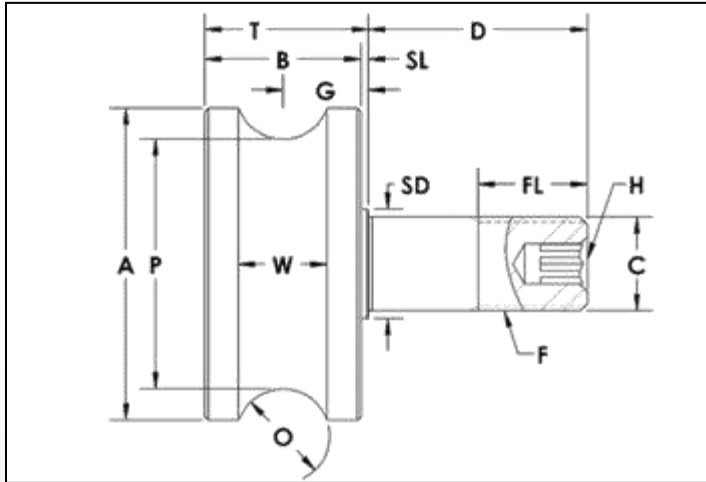


# NUTR Series Track Roller Assembly

U-Grooved – Stud Type Concentric  
Non-Metallic Roller Body - Ball Bearings



(989)358-6148  
www.pcimfg.com



FEATURING  
∞ INFINITY ROLLER™  
TECHNOLOGY

Stud Type Track Roller Part Number	A	B	C	D	F	FL	G	H	O	P	SD	SL	T	W
	Roller Dia.	Roller Width	Stud Dia. +.000 -.001	Stud Length	Thread Size	Thread Length	Groove Center	Hex Size	Rail Size	Point Dia. +.000 -.001	Shoulder Dia.	Shoulder Length	Roller Width + Shoulder Length	Tread Width
NUTR-1.50	1.50	0.75	0.437	1.00	7/16 - 20	0.50	0.41	3/16	1/2	1.250	0.5	0.03	0.78	0.43
NUTR-1.75	1.75	0.75	0.437	1.00	7/16 - 20	0.50	0.41	3/16	1/2	1.500	0.5	0.03	0.78	0.43
NUTR-2.00	2.00	0.81	0.500	1.25	1/2 - 20	0.63	0.44	3/16	5/8	1.750	0.6	0.03	0.84	0.50
NUTR-2.50	2.50	1.25	0.750	1.75	3/4 - 16	0.88	0.69	5/16	3/4	2.000	0.9	0.06	1.31	0.71
NUTR-3.50	3.50	1.63	0.875	2.00	7/8 - 14	1.13	0.88	5/16	1	3.000	1.0	0.06	1.69	0.87
NUTR-4.50A	4.50	1.94	1.250	2.50	1 1/4 - 12	1.75	1.00	1/2	1	4.000	1.5	0.06	2.00	0.87

# NUTR Series Track Roller Assembly

U-Grooved – Stud Type Concentric  
Non-Metallic Roller Body - Ball Bearings



## ADDITIONAL NOTES

\*For lubricated threads, use half the maximum clamping torque value shown.

DGBB: Deep Groove Ball Bearings – Alloy Steel

FEATURING ∞ INFINITY ROLLER™ TECHNOLOGY

Jam Nut & Lock Washer sets are available at an additional cost.

For stainless steel internals, add a “-SS” to the end of the part number. (See “-SS” page for specifications)

For regreaseable provisions, add a “-R” to the end of the part number. (See “-R” page for specifications)

Specifications subject to change without notice.

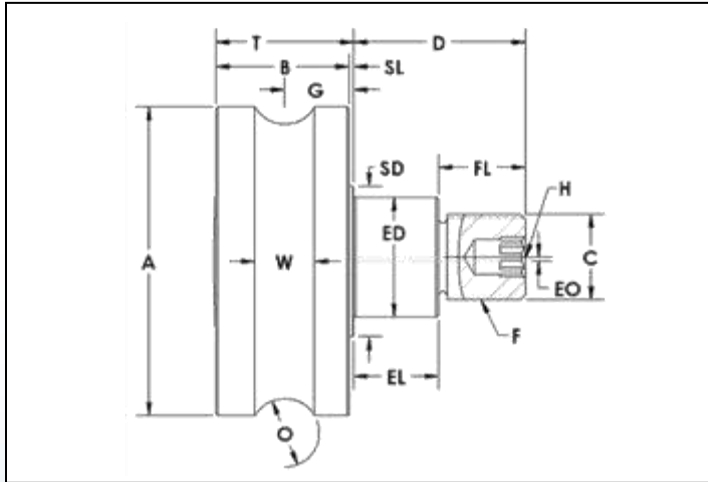
Stud Type Track Roller Part Number	Basic Radial Dynamic Load Rating (lbs) C	Basic Radial Static Load Rating (lbs) Co	Thrust Dynamic Load Rating (lbs)	Thrust Static Load Rating (lbs)	Stud Capacity (lbs)	Rotational Tread Capacity (lbs)	Stationary Tread Capacity (lbs)	Retaining Ring Capacity (lbs)	Max. Clamping Torque (in-lbs)*	Seal Type	Bearing Type	Approx. Roller Weight (lbs)
NUTR-1.50	956	480	331	60	530	81	24	470	180	Rubber Lip	DGBB	0.14
NUTR-1.75	956	480	331	60	530	97	29	470	180	Rubber Lip	DGBB	0.16
NUTR-2.00	1,231	640	430	80	640	131	39	470	180	Rubber Lip	DGBB	0.26
NUTR-2.50	2,651	1,394	1,101	348	990	213	64	550	650	Rubber Lip	DGBB	0.67
NUTR-3.50	3,624	2,136	1,563	534	4,660	392	117	900	650	Rubber Lip	DGBB	1.45
NUTR-4.50A	7,393	5,036	3,358	1,259	13,980	522	157	1,950	1,500	Rubber Lip	DGBB	3.58

# NUTRE Series Track Roller Assembly

U-Grooved – Stud Type Eccentric  
Non-Metallic Roller Body - Ball Bearings



(989)358-6148  
www.pcimfg.com



FEATURING  
∞ INFINITY ROLLER™  
TECHNOLOGY

Stud Type Track Roller Part Number	A	B	C	D	ED	EL	EO	F	FL	G	H	O	P	SD	SL	T	W
	Roller Dia.	Roller Width	Stud Dia. +.000 -.001	Stud Length	Ecc Dia +.000 -.002	Ecc Length	Ecc Offset	Thread Size	Thread Length	Groove Center	Hex Size	Rail Size	Point Dia. +.000 -.001	Shld Dia.	Shld Length	Roller Width + Shoulder Length	Tread Width
NUTRE-1.50	1.50	0.75	0.437	1.00	0.625	0.48	0.03	7/16 - 20	0.52	0.41	3/16	1/2	1.250	0.7	0.03	0.78	0.43
NUTRE-1.75	1.75	0.75	0.437	1.00	0.625	0.48	0.03	7/16 - 20	0.52	0.41	3/16	1/2	1.500	0.7	0.03	0.78	0.43
NUTRE-2.00	2.00	0.81	0.500	1.25	0.687	0.61	0.03	1/2 - 20	0.65	0.44	3/16	5/8	1.750	0.8	0.03	0.84	0.50
NUTRE-2.50	2.50	1.25	0.750	1.75	1.000	0.86	0.03	3/4 - 16	0.90	0.69	5/16	3/4	2.000	1.3	0.06	1.31	0.71
NUTRE-3.50	3.50	1.63	0.875	2.00	1.187	0.98	0.03	7/8 - 14	1.02	0.88	5/16	1	3.000	1.5	0.06	1.69	0.87
NUTRE-4.50A	4.50	1.94	1.250	2.50	1.750	1.23	0.06	1 1/4 - 12	1.27	1.00	1/2	1	4.000	2.2	0.06	2.00	0.87

# NUTRE Series Track Roller Assembly

U-Grooved – Stud Type Eccentric  
Non-Metallic Roller Body - Ball Bearings



## ADDITIONAL NOTES

\*For lubricated threads, use half the maximum clamping torque value shown.

DGBB: Deep Groove Ball Bearings – Alloy Steel

FEATURING ∞ INFINITY ROLLER™ TECHNOLOGY

Jam Nut & Lock Washer sets are available at an additional cost.

For stainless steel internals, add a “-SS” to the end of the part number. (See “-SS” page for specifications)

For regreasable provisions, add a “-R” to the end of the part number. (See “-R” page for specifications)

Specifications subject to change without notice.

Stud Type Track Roller Part Number	Basic Radial Dynamic Load Rating (lbs) C	Basic Radial Static Load Rating (lbs) Co	Thrust Dynamic Load Rating (lbs)	Thrust Static Load Rating (lbs)	Stud Capacity (lbs)	Rotational Tread Capacity (lbs)	Stationary Tread Capacity (lbs)	Retaining Ring Capacity (lbs)	Max. Clamping Torque (in-lbs)*	Seal Type	Bearing Type	Approx. Roller Weight (lbs)
NUTRE-1.50	956	480	331	60	530	81	24	470	180	Rubber Lip	DGBB	0.17
NUTRE-1.75	956	480	331	60	530	97	29	470	180	Rubber Lip	DGBB	0.27
NUTRE-2.00	1,231	640	430	80	640	131	39	470	180	Rubber Lip	DGBB	0.29
NUTRE-2.50	2,651	1,394	1,101	348	990	213	64	550	650	Rubber Lip	DGBB	0.73
NUTRE-3.50	3,624	2,136	1,563	534	4,660	392	117	900	650	Rubber Lip	DGBB	1.50
NUTRE-4.50A	7,393	5,036	3,358	1,259	13,980	522	157	1,950	1,500	Rubber Lip	DGBB	3.99

# NUTRY Series Track Roller Assembly

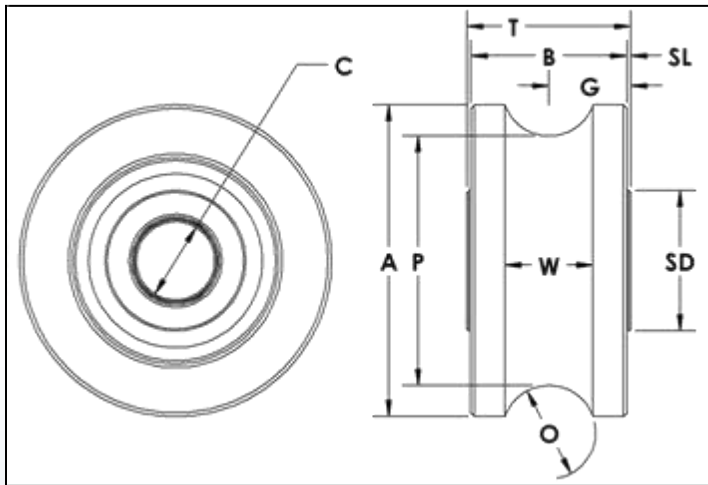
U-Grooved – Yoke Type

Non-Metallic Roller Body - Ball Bearings



(989)358-6148

www.pcimfg.com



FEATURING  
∞ INFINITY ROLLER™  
TECHNOLOGY

Yoke Type Track Roller Part Number	A	B	C	G	O	P	SD	SL	T	W
	Roller Dia.	Roller Width	Bore Dia. +.0007 -.0000	Groove Center	Rail Size	Point Dia. +.000 -.001	Shoulder Dia.	Shoulder Length	Inner Race Width +.005 -.010	Tread Width
NUTRY-1.75	1.75	0.88	0.4380	0.47	1/2	1.500	0.9	0.03	0.937	0.44
NUTRY-2.00	2.00	1.00	0.5005	0.53	5/8	1.750	0.9	0.03	1.063	0.50
NUTRY-2.50	2.50	1.25	0.6255	0.66	3/4	2.000	1.1	0.03	1.313	0.71
NUTRY-3.50A	3.50	1.75	1.0005	0.91	1	3.000	1.8	0.03	1.813	0.87
NUTRY-4.50A	4.50	2.25	1.2505	1.16	1	4.000	2.0	0.03	2.313	0.87

Optional PCI Yoke Shaft	Optional PCI Eccentric Yoke Shaft
YSH-.437	YSHE-.437
YSH-.500	YSHE-.500
YSH-.625	YSHE-.625
YSH-1.000	YSHE-1.000
YSH-1.250	YSHE-1.250

# NUTRY Series Track Roller Assembly

U-Grooved – Yoke Type

Non-Metallic Roller Body - Ball Bearings



(989)358-6148

www.pcimfg.com



## ADDITIONAL NOTES

DGGB: Deep Groove Ball Bearings – Alloy Steel

FEATURING ∞ INFINITY ROLLER™ TECHNOLOGY

PCI Heavy Duty Yoke Shafts are available at an additional cost. See YSH page for details.

For stainless steel internals, add a “-SS” to the end of the part number. (See “UTRY-SS” page for specifications)

For regreasable provisions, add a “-R” to the end of the part number. (See “UTRY-R” page for specifications)

Specifications subject to change without notice.

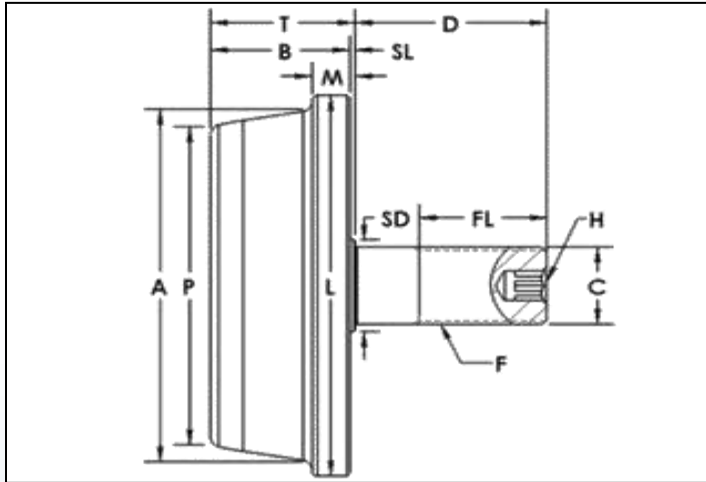
Yoke Type Track Roller Part Number	Basic Radial Dynamic Load Rating (lbs) C	Basic Radial Static Load Rating (lbs) Co	Thrust Dynamic Load Rating (lbs)	Thrust Static Load Rating (lbs)	Rotational Tread Capacity (lbs)	Stationary Tread Capacity (lbs)	Seal Type	Bearing Type	Approx. Roller Weight (lbs)
NUTRY-1.75	1,683	1,147	764	287	99	30	Rubber Lip	DGGB	0.19
NUTRY-2.00	1,683	1,147	764	287	131	39	Rubber Lip	DGGB	0.23
NUTRY-2.50	3,624	2,248	1,591	562	213	64	Rubber Lip	DGGB	0.60
NUTRY-3.50A	6,118	4,586	2,884	1,147	392	117	Rubber Lip	DGGB	1.65
NUTRY-4.50A	6,483	5,216	3,145	1,304	522	157	Rubber Lip	DGGB	2.96

# NCIR Series Track Roller Assembly

Channel & I-Beam – Stud Type Concentric  
Non-Metallic Roller Body - Ball Bearings



(989)358-6148  
www.pcimfg.com



FEATURING  
∞ INFINITY ROLLER™  
TECHNOLOGY

Stud Type Track Roller Part Number	A	B	C	D	F	FL	H	L	M	P	SD	SL	T
	Roller Dia.	Roller Width	Stud Dia. +.000 -.001	Stud Length	Thread Size	Thread Length	Hex Size	Flange Dia	Flange Width	Point Dia.	Shoulder Dia.	Shoulder Length	Roller Width + Shoulder Length
NCIR-3.00	2.56	1.13	0.625	1.50	5/8 - 18	0.75	5/16	2.94	0.31	2.23	0.8	0.06	1.19
NCIR-3.00E	2.56	1.63	0.875	2.00	7/8 - 14	1.13	5/16	2.94	0.62	2.17	1.0	0.06	1.69
NCIR-3.00-1	2.50	1.63	1.000	2.25	1 - 14	1.50	3/8	2.94	0.50	2.06	1.2	0.06	1.69
NCIR-4.00	3.56	1.63	0.875	2.00	7/8 - 14	1.13	5/16	3.94	0.53	3.14	1.0	0.06	1.69
NCIR-4.00E	3.56	1.63	1.000	2.25	1 - 14	1.50	3/8	3.94	0.53	3.14	1.2	0.06	1.69
NCIR-5.00	4.56	1.63	1.000	2.25	1 - 14	1.50	3/8	4.94	0.50	4.13	1.2	0.06	1.69

# NCIR Series Track Roller Assembly

Channel & I-Beam – Stud Type Concentric  
Non-Metallic Roller Body - Ball Bearings



## ADDITIONAL NOTES

\*For lubricated threads, use half the maximum clamping torque value shown.

DGBB: Deep Groove Ball Bearings – Alloy Steel

FEATURING ∞ INFINITY ROLLER™ TECHNOLOGY

Jam Nut & Lock Washer sets are available at an additional cost.

For stainless steel internals, add a “-SS” to the end of the part number. (See “-SS” page for specifications)

For regreasable provisions, add a “-R” to the end of the part number. (See “-R” page for specifications)

Specifications subject to change without notice.

Stud Type Track Roller Part Number	Basic Radial Dynamic Load Rating (lbs) C	Basic Radial Static Load Rating (lbs) Co	Thrust Dynamic Load Rating (lbs)	Thrust Static Load Rating (lbs)	Stud Capacity (lbs)	Rotational Tread Capacity (lbs)	Stationary Tread Capacity (lbs)	Retaining Ring Capacity (lbs)	Max. Clamping Torque (in-lbs)*	Seal Type	Bearing Type	Approx. Roller Weight (lbs)
NCIR-3.00	2,651	1,394	1,101	348	1,070	211	63	550	350	Rubber Lip	DGBB	0.61
NCIR-3.00E	3,624	2,136	1,563	534	3,020	368	110	900	650	Rubber Lip	DGBB	1.34
NCIR-3.00-1	3,624	2,248	1,591	562	4,770	349	105	1,340	650	Rubber Lip	DGBB	1.34
NCIR-4.00	3,624	2,136	1,563	534	2,960	518	155	900	650	Rubber Lip	DGBB	1.54
NCIR-4.00E	5,390	3,507	2,407	877	6,450	518	155	1,340	650	Rubber Lip	DGBB	2.09
NCIR-5.00	5,390	3,507	2,407	877	6,540	701	210	1,340	650	Rubber Lip	DGBB	2.60

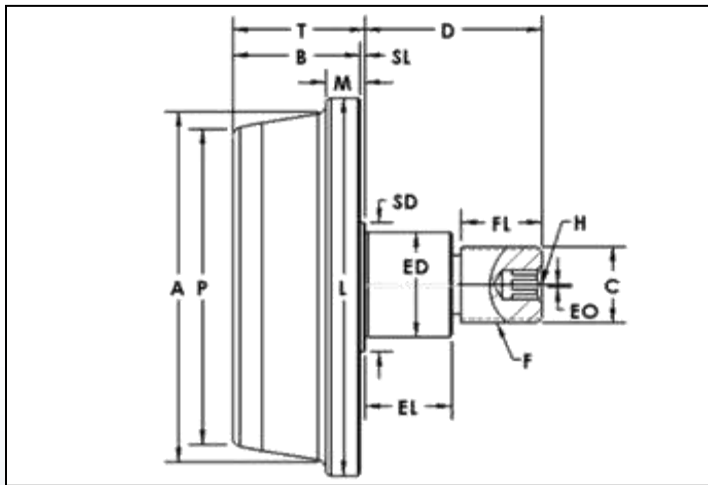


# NCIRE Series Track Roller Assembly

Channel & I-Beam – Stud Type Eccentric  
Non-Metallic Roller Body - Ball Bearings



(989)358-6148  
www.pcimfg.com



FEATURING  
∞ INFINITY ROLLER™  
TECHNOLOGY

Stud Type Track Roller Part Number	A	B	C	D	ED	EL	EO	F	FL	H	L	M	P	SD	SL	T
	Roller Dia.	Roller Width	Stud Dia. +0.000 -0.001	Stud Length	Ecc Dia +0.000 -0.002	Ecc Length	Ecc Offset	Thread Size	Thread Length	Hex Size	Flange Dia	Flange Width	Point Dia.	Shoulder Dia.	Shoulder Length	Roller Width + Shoulder Length
NCIRE-3.00	2.56	1.13	0.625	1.50	0.875	0.73	0.03	5/8 - 18	0.77	5/16	2.94	0.31	2.23	1.1	0.06	1.19
NCIRE-3.00E	2.56	1.63	0.875	2.00	1.187	0.98	0.03	7/8 - 14	1.02	5/16	2.94	0.62	2.17	1.5	0.06	1.69
NCIRE-3.00-1	2.50	1.63	1.000	2.25	1.375	1.11	0.03	1 - 14	1.15	3/8	2.94	0.50	2.06	1.7	0.06	1.69
NCIRE-4.00	3.56	1.63	0.875	2.00	1.187	0.98	0.03	7/8 - 14	1.02	5/16	3.94	0.53	3.14	1.5	0.06	1.69
NCIRE-4.00E	3.56	1.63	1.000	2.25	1.375	1.11	0.03	1 - 14	1.15	3/8	3.94	0.53	3.14	1.7	0.06	1.69
NCIRE-5.00	4.56	1.63	1.000	2.25	1.375	1.11	0.03	1 - 14	1.15	3/8	4.94	0.50	4.13	1.7	0.06	1.69

# NCIRE Series Track Roller Assembly

Channel & I-Beam – Stud Type Eccentric  
Non-Metallic Roller Body - Ball Bearings



## ADDITIONAL NOTES

\*For lubricated threads, use half the maximum clamping torque value shown.

DGGB: Deep Groove Ball Bearings – Alloy Steel

FEATURING ∞ INFINITY ROLLER™ TECHNOLOGY

Jam Nut & Lock Washer sets are available at an additional cost.

For stainless steel internals, add a “-SS” to the end of the part number. (See “-SS” page for specifications)

For regreasable provisions, add a “-R” to the end of the part number. (See “-R” page for specifications)

Specifications subject to change without notice.

Stud Type Track Roller Part Number	Basic Radial Dynamic Load Rating (lbs) C	Basic Radial Static Load Rating (lbs) Co	Thrust Dynamic Load Rating (lbs)	Thrust Static Load Rating (lbs)	Stud Capacity (lbs)	Rotational Tread Capacity (lbs)	Stationary Tread Capacity (lbs)	Retaining Ring Capacity (lbs)	Max. Clamping Torque (in-lbs)*	Seal Type	Bearing Type	Approx. Roller Weight (lbs)
NCIRE-3.00	2,651	1,394	1,101	348	1,080	211	63	550	650	Rubber Lip	DGGB	0.63
NCIRE-3.00E	3,624	2,136	1,563	534	3,020	368	110	900	3,450	Rubber Lip	DGGB	1.53
NCIRE-3.00-1	3,624	2,248	1,591	562	4,770	349	105	1,340	5,000	Rubber Lip	DGGB	1.56
NCIRE-4.00	3,624	2,136	1,563	534	2,960	518	155	900	3,450	Rubber Lip	DGGB	1.76
NCIRE-4.00E	5,390	3,507	2,407	877	6,450	518	155	1,340	2,250	Rubber Lip	DGGB	2.37
NCIRE-5.00	5,390	3,507	2,407	877	6,540	701	210	1,340	2,250	Rubber Lip	DGGB	2.87



# LOAD BEARING ROLLER ASSEMBLIES ∞ INFINITY ROLLER™ TECHNOLOGY EXTREME DUTY SOLUTIONS High Temperature Track Rollers & XR Rollers

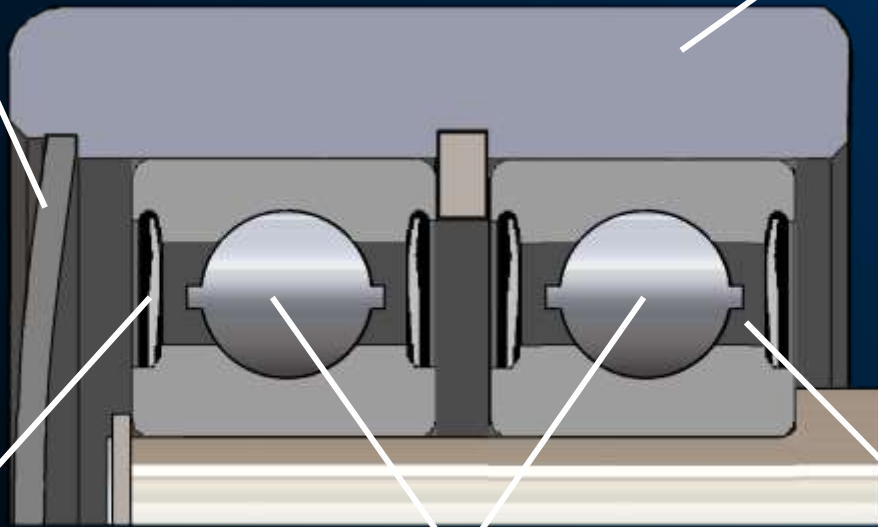
## Defeat Extreme Heat – The 350 °F Solution

### TIGHT FIT STAINLESS STEEL COVER\*

Maximum protection against direct spray and contamination

### CASE HARDENED ROLLER BODY

Maintains the integrity of the assembly by preventing pre-mature fracture under shock loads.



### FLUOROCARBON LIP SEALS

Lasting protection of the bearing elements in high temperatures.

### PRECISION HIGH TEMPERATURE DEEP GROOVE BALL BEARINGS

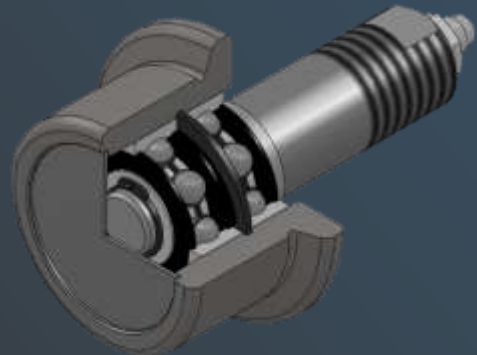
Performance under high speeds and combination loads in a high temperature environment.

### PREMIUM HIGH TEMP LUBRICANT

Performance in applications up to 350 °F (Continuous)

### EXTEND PERFORMANCE WITH RELUBE

PCI High Temperature Rollers are available IN STOCK with regreasing provisions to maximize life in your demanding application. PCI High Temperature Rollers are supplied with wrench flats for easy installation and a readily accessible grease fitting located in the end of the stud for ease of maintenance. Add a “-R” suffix to the part number to Replenish & ReUse...Relube



*\*Features dependent on size and style of unit. See specifications for details.*

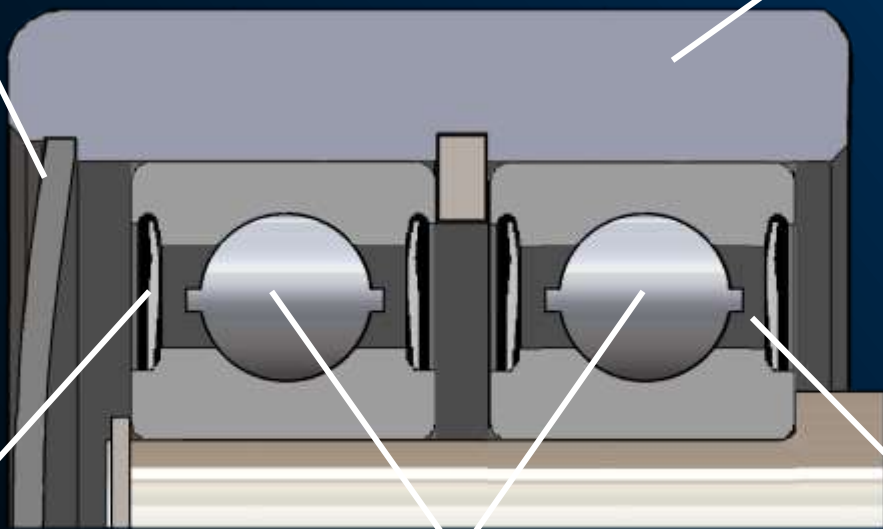


# LOAD BEARING ROLLER ASSEMBLIES ∞ INFINITY ROLLER™ TECHNOLOGY EXTREME DUTY SOLUTIONS High Temperature Track Rollers & XR Rollers

## Defeat Extreme Heat – The 660 °F Solution

**TIGHT FIT STAINLESS STEEL COVER\***  
Maximum protection against direct spray and contamination

**CASE HARDENED ROLLER BODY**  
Maintains the integrity of the assembly by preventing pre-mature fracture under shock loads.



**STEEL SHIELDS**  
Protection of the bearing elements in extreme temperatures.

**PRECISION HIGH TEMP BALL OR TAPERED ROLLER BEARINGS**  
Performance under low speeds and combination loads in a high temperature environment.

**HIGH TEMP SOLID LUBRICANT**  
Performance for up to 660 °F (Continuous) with no relubrication required.

**NO RELUBRICATION REQUIRED**

PCI incorporates Cobra Solid Lubricant™ (CSL) - a mixture of graphite and binders creating a solid lubricant in this offering. The solidified mixture will fill the entire space between the races, rolling elements and cage to prevent metal to metal contact. CSL prevents contaminants from entering the bearing while providing a low coefficient of friction. Unlike petroleum-based lubricants, CSL cannot be washed out by steam or other common solvents, acids, or alkalis except under direct high-pressure. CSL will not drip or fling, is environmentally clean and may substantially increase bearing life and eliminate relubrication maintenance – even at high temperatures!

Cobra Solid Lubricant™ (CSL) is a trademark of Unique Technologies Associates

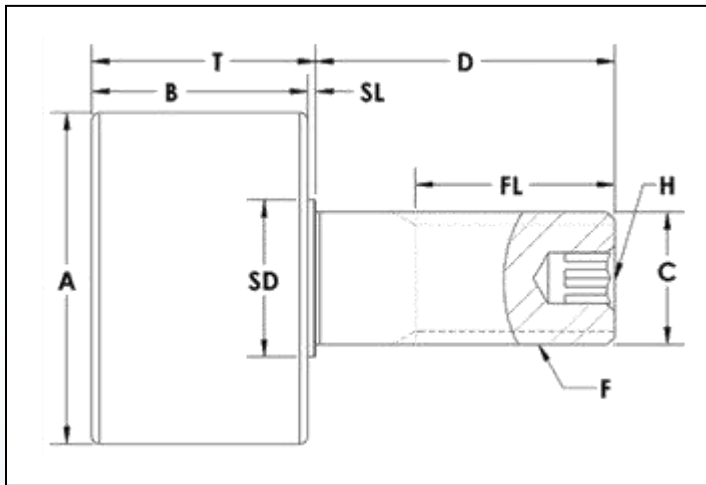
*\*Features dependent on size and style of unit. See specifications for details.*

# PTR-HT Series Track Roller Assembly

Plain/Cylindrical – Stud Type Concentric  
High Temperature 350° F - Ball Bearings



(989)358-6148  
www.pcimfg.com



FEATURING  
∞ INFINITY ROLLER™  
TECHNOLOGY

Stud Type Track Roller Part Number	A Roller Dia. +.000 -.001	B Roller Width	C Stud Dia. +.000 -.001	D Stud Length	F Thread Size	FL Thread Length	H Hex Size	SD Shoulder Dia.	SL Shoulder Length	T Roller Width + Shoulder Length
PTR-1.00-HT	1.000	0.75	0.437	1.00	7/16 - 20	0.50	3/16	0.5	0.03	0.78
PTR-1.125-HT	1.125	0.75	0.437	1.00	7/16 - 20	0.50	3/16	0.5	0.03	0.78
PTR-1.25-HT	1.250	0.81	0.500	1.25	1/2 - 20	0.63	3/16	0.6	0.03	0.84
PTR-1.375-HT	1.375	0.81	0.500	1.25	1/2 - 20	0.63	3/16	0.6	0.03	0.84
PTR-1.50-HT	1.500	1.13	0.625	1.50	5/8 - 18	0.75	5/16	0.8	0.06	1.19
PTR-1.75-HT	1.750	1.13	0.750	1.75	3/4 - 16	0.88	5/16	0.9	0.06	1.19
PTR-2.00-HT	2.000	1.63	0.875	2.00	7/8 - 14	1.13	5/16	1.0	0.06	1.69
PTR-2.25-HT	2.250	1.63	0.875	2.00	7/8 - 14	1.13	5/16	1.0	0.06	1.69
PTR-2.50-HT	2.500	1.63	1.000	2.25	1 - 14	1.50	3/8	1.2	0.06	1.69
PTR-2.75-HT	2.750	1.63	1.000	2.25	1 - 14	1.50	3/8	1.2	0.06	1.69
PTR-3.00A-HT	3.000	1.94	1.250	2.50	1 1/4 - 12	1.75	1/2	1.5	0.06	2.00
PTR-3.25A-HT	3.250	1.94	1.250	2.50	1 1/4 - 12	1.75	1/2	1.5	0.06	2.00
PTR-3.50A-HT	3.500	1.94	1.250	2.75	1 1/4 - 12	1.75	1/2	1.5	0.06	2.00
PTR-4.00A-HT	4.000	1.94	1.250	2.75	1 1/4 - 12	1.75	1/2	1.5	0.06	2.00

# PTR-HT Series Track Roller Assembly

Plain/Cylindrical – Stud Type Concentric  
High Temperature 350°F - Ball Bearings



## ADDITIONAL NOTES

\*For lubricated threads, use half the maximum clamping torque value shown.

DGGB-SS: Deep Groove Ball Bearings – 440C Stainless Steel

FEATURING ∞ INFINITY ROLLER™ TECHNOLOGY

Jam Nut & Lock Washer sets are available at an additional cost.

For regreasable provisions, add a “-R” to the end of the part number. (See “-R” page for specifications)

Specifications subject to change without notice.

Ask about the 660° F Solution -XHT.

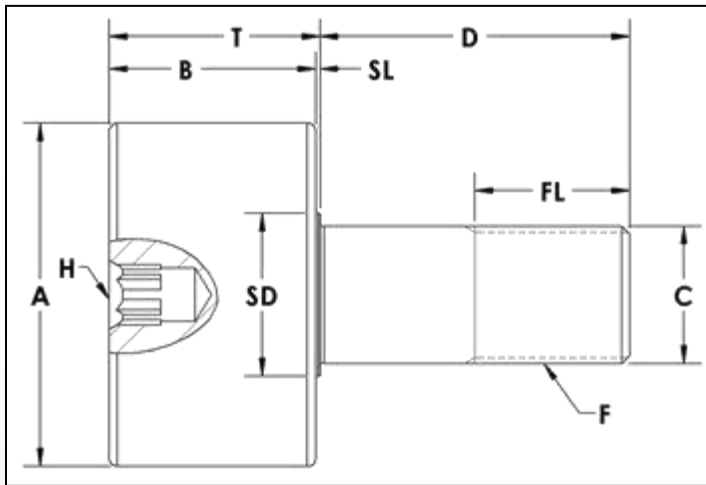
Stud Type Track Roller Part Number	Basic Radial Dynamic Load Rating (lbs) C	Basic Radial Static Load Rating (lbs) Co	Thrust Dynamic Load Rating (lbs)	Thrust Static Load Rating (lbs)	Stud Capacity (lbs)	Retaining Ring Capacity (lbs)	Max. Clamping Torque (in-lbs)*	Maximum Temp. Continuous	Seal Type	Bearing Type	Approx. Roller Weight (lbs)
PTR-1.00-HT	786	467	282	58	530	470	180	350°F	Fluorocarbon Lip	DGGB-SS	0.17
PTR-1.125-HT	786	467	282	58	530	470	180	350°F	Fluorocarbon Lip	DGGB-SS	0.22
PTR-1.25-HT	852	605	317	76	930	470	180	350°F	Fluorocarbon Lip	DGGB-SS	0.30
PTR-1.375-HT	852	605	317	76	930	470	180	350°F	Fluorocarbon Lip	DGGB-SS	0.36
PTR-1.50-HT	1,688	1,321	809	330	1,670	550	350	350°F	Fluorocarbon Lip	DGGB-SS	0.56
PTR-1.75-HT	1,688	1,321	809	330	1,670	550	650	350°F	Fluorocarbon Lip	DGGB-SS	0.86
PTR-2.00-HT	2,611	2,064	1,257	516	4,660	900	650	350°F	Fluorocarbon Lip	DGGB-SS	1.39
PTR-2.25-HT	2,611	2,064	1,257	516	4,660	900	650	350°F	Fluorocarbon Lip	DGGB-SS	1.86
PTR-2.50-HT	3,828	3,398	1,936	849	8,470	1,340	650	350°F	Fluorocarbon Lip	DGGB-SS	2.34
PTR-2.75-HT	3,828	3,398	1,936	849	8,470	1,340	650	350°F	Fluorocarbon Lip	DGGB-SS	2.82
PTR-3.00A-HT	7,102	5,081	3,287	1,270	13,980	1,950	1,500	350°F	Fluorocarbon Lip	DGGB-SS	3.99
PTR-3.25A-HT	7,102	5,081	3,287	1,270	13,980	1,950	1,500	350°F	Fluorocarbon Lip	DGGB-SS	4.65
PTR-3.50A-HT	7,102	5,081	3,287	1,270	13,980	1,950	1,500	350°F	Fluorocarbon Lip	DGGB-SS	5.48
PTR-4.00A-HT	7,102	5,081	3,287	1,270	13,980	1,950	1,500	350°F	Fluorocarbon Lip	DGGB-SS	7.13

# PXR-HT Series Roller Assembly

Plain/Cylindrical – Stud Type Concentric  
High Temperature 350 °F - Ball Bearings



(989)358-6148  
www.pcimfg.com



FEATURING  
∞ INFINITY ROLLER™  
TECHNOLOGY

Stud Type XR Roller Part Number	A	B	C	D	F	FL	H	SD	SL	T
	Roller Dia. +.000 -.001	Roller Width	Stud Dia. +.000 -.001	Stud Length	Thread Size	Thread Length	Hex Size	Shoulder Dia.	Shoulder Length	Roller Width + Shoulder Length
PXR-1.50-HT	1.500	0.88	0.625	1.50	5/8 - 18	0.75	5/16	0.8	0.03	0.91
PXR-1.75-HT	1.750	1.00	0.750	1.75	3/4 - 16	0.88	5/16	0.9	0.03	1.03
PXR-2.00-HT	2.000	1.25	0.875	2.00	7/8 - 14	1.00	5/16	1.0	0.03	1.28
PXR-2.25-HT	2.250	1.25	0.875	2.00	7/8 - 14	1.00	5/16	1.0	0.03	1.28
PXR-2.50-HT	2.500	1.50	1.000	2.25	1 - 14	1.13	3/8	1.2	0.03	1.53
PXR-2.75-HT	2.750	1.50	1.000	2.25	1 - 14	1.13	3/8	1.2	0.03	1.53
PXR-3.00A-HT	3.000	1.75	1.250	2.50	1 1/4 - 12	1.25	1/2	1.6	0.03	1.78
PXR-3.25A-HT	3.250	1.75	1.250	2.50	1 1/4 - 12	1.25	1/2	1.6	0.03	1.78
PXR-3.50A-HT	3.500	2.00	1.375	2.75	1 3/8 - 12	1.38	1/2	1.8	0.03	2.03
PXR-4.00A-HT	4.000	2.25	1.500	3.50	1 1/2 - 12	1.50	1/2	1.8	0.03	2.28

# PXR-HT Series Roller Assembly

Plain/Cylindrical – Stud Type Concentric  
High Temperature 350°F - Ball Bearings



## ADDITIONAL NOTES

\*For lubricated threads, use half the maximum clamping torque value shown.

DGGB-SS: Deep Groove Ball Bearings – 440C Stainless Steel

FEATURING ∞ INFINITY ROLLER™ TECHNOLOGY

Jam Nut & Lock Washer sets are available at an additional cost.

For regreasable provisions, add a “-R” to the end of the part number. (See “-R” page for specifications)

Specifications subject to change without notice.

Ask about the 660° F Solution -XHT.

Stud Type XR Roller Part Number	Basic Radial Dynamic Load Rating (lbs) C	Basic Radial Static Load Rating (lbs) Co	Thrust Dynamic Load Rating (lbs)	Thrust Static Load Rating (lbs)	Stud Capacity (lbs)	Retaining Ring Capacity (lbs)	Max. Clamping Torque (in-lbs)*	Maximum Temp. Continuous	Seal Type	Bearing Type	Approx. Roller Weight (lbs)
PXR-1.50-HT	1,276	1,114	641	278	3,840	910	350	350°F	Fluorocarbon Lip	DGGB-SS	0.45
PXR-1.75-HT	1,276	1,114	641	278	4,430	910	650	350°F	Fluorocarbon Lip	DGGB-SS	0.75
PXR-2.00-HT	2,565	2,168	1,270	542	5,690	1,340	650	350°F	Fluorocarbon Lip	DGGB-SS	1.22
PXR-2.25-HT	2,565	2,168	1,270	542	5,690	1,340	650	350°F	Fluorocarbon Lip	DGGB-SS	1.50
PXR-2.50-HT	3,828	3,398	1,936	849	9,270	1,340	1,500	350°F	Fluorocarbon Lip	DGGB-SS	2.17
PXR-2.75-HT	3,828	3,398	1,936	849	9,270	1,340	1,500	350°F	Fluorocarbon Lip	DGGB-SS	2.60
PXR-3.00A-HT	5,827	4,631	2,812	1,158	15,710	1,950	2,250	350°F	Fluorocarbon Lip	DGGB-SS	3.56
PXR-3.25A-HT	5,827	4,631	2,812	1,158	15,710	1,950	2,250	350°F	Fluorocarbon Lip	DGGB-SS	4.31
PXR-3.50A-HT	6,118	5,171	3,030	1,293	18,140	3,000	4,200	350°F	Fluorocarbon Lip	DGGB-SS	5.47
PXR-4.00A-HT	6,118	5,171	3,030	1,293	21,200	3,000	5,000	350°F	Fluorocarbon Lip	DGGB-SS	8.25

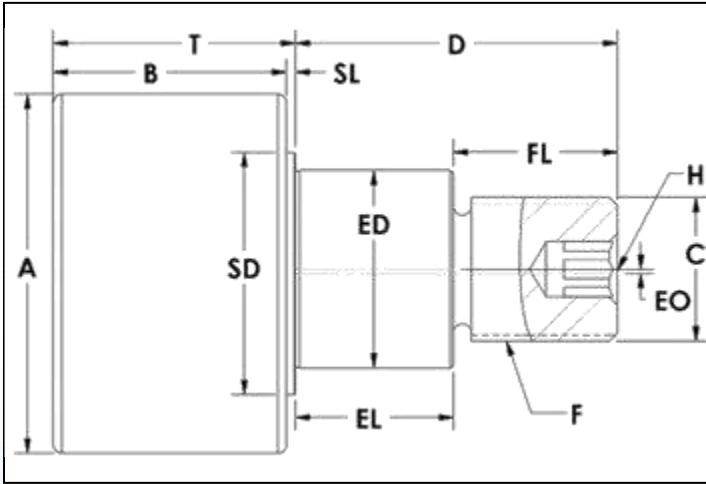


# PTRE-HT Series Track Roller Assembly

Plain/Cylindrical – Stud Type Eccentric  
High Temperature 350° F - Ball Bearings



(989)358-6148  
www.pcimfg.com



FEATURING  
∞ INFINITY ROLLER™  
TECHNOLOGY

Stud Type Track Roller Part Number	A Roller Dia. +.000 -.001	B Roller Width	C Stud Dia. +.000 -.001	D Stud Length	ED Ecc Dia +.000 -.002	EL Ecc Length	EO Ecc Offset	F Thread Size	FL Thread Length	H Hex Size	SD Shoulder Dia.	SL Shoulder Length	T Roller Width + Shoulder Length
PTRE-1.00-HT	1.000	0.75	0.437	1.00	0.625	0.48	0.03	7/16 - 20	0.52	3/16	0.7	0.03	0.78
PTRE-1.125-HT	1.125	0.75	0.437	1.00	0.625	0.48	0.03	7/16 - 20	0.52	3/16	0.7	0.03	0.78
PTRE-1.25-HT	1.250	0.81	0.500	1.25	0.687	0.61	0.03	1/2 - 20	0.65	3/16	0.8	0.03	0.84
PTRE-1.375-HT	1.375	0.81	0.500	1.25	0.687	0.61	0.03	1/2 - 20	0.65	3/16	0.8	0.03	0.84
PTRE-1.50-HT	1.500	1.13	0.625	1.50	0.875	0.73	0.03	5/8 - 18	0.77	5/16	1.1	0.06	1.19
PTRE-1.75-HT	1.750	1.13	0.750	1.75	1.000	0.86	0.03	3/4 - 16	0.90	5/16	1.3	0.06	1.19
PTRE-2.00-HT	2.000	1.63	0.875	2.00	1.187	0.98	0.03	7/8 - 14	1.02	5/16	1.5	0.06	1.69
PTRE-2.25-HT	2.250	1.63	0.875	2.00	1.187	0.98	0.03	7/8 - 14	1.02	5/16	1.5	0.06	1.69
PTRE-2.50-HT	2.500	1.63	1.000	2.25	1.375	1.11	0.03	1 - 14	1.15	3/8	1.7	0.06	1.69
PTRE-2.75-HT	2.750	1.63	1.000	2.25	1.375	1.11	0.03	1 - 14	1.15	3/8	1.7	0.06	1.69
PTRE-3.00A-HT	3.000	1.94	1.250	2.50	1.750	1.23	0.06	1 1/4 - 12	1.27	1/2	2.2	0.06	2.00
PTRE-3.25A-HT	3.250	1.94	1.250	2.50	1.750	1.23	0.06	1 1/4 - 12	1.27	1/2	2.2	0.06	2.00
PTRE-3.50A-HT	3.500	1.94	1.250	2.75	1.812	1.36	0.06	1 1/4 - 12	1.40	1/2	2.2	0.06	2.00
PTRE-4.00A-HT	4.000	1.94	1.250	2.75	1.812	1.36	0.06	1 1/4 - 12	1.40	1/2	2.2	0.06	2.00

# PTRE-HT Series Track Roller Assembly

Plain/Cylindrical – Stud Type Eccentric  
High Temperature 350° F - Ball Bearings



(989)358-6148  
www.pcimfg.com



## ADDITIONAL NOTES

\*For lubricated threads, use half the maximum clamping torque value shown.

DGGB-SS: Deep Groove Ball Bearings – 440C Stainless Steel

FEATURING ∞ INFINITY ROLLER™ TECHNOLOGY

Jam Nut & Lock Washer sets are available at an additional cost.

For regreasable provisions, add a “-R” to the end of the part number. (See “-R” page for specifications)

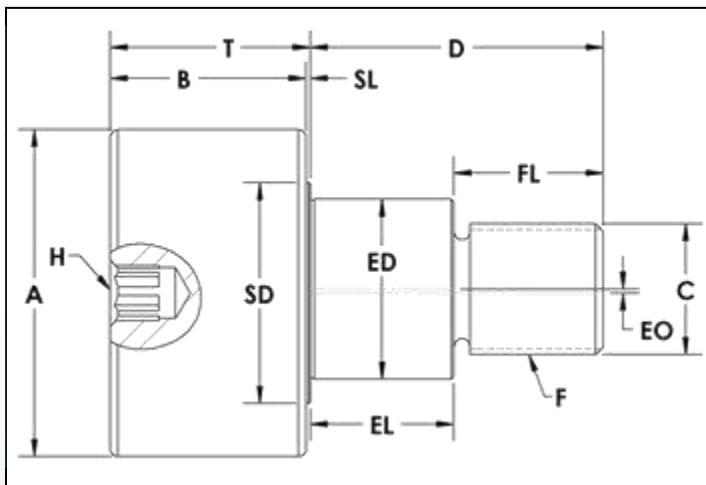
Specifications subject to change without notice.

Ask about the 660° F Solution -XHT.

Stud Type Track Roller Part Number	Basic Radial Dynamic Load Rating (lbs) C	Basic Radial Static Load Rating (lbs) Co	Thrust Dynamic Load Rating (lbs)	Thrust Static Load Rating (lbs)	Stud Capacity (lbs)	Retaining Ring Capacity (lbs)	Max. Clamping Torque (in-lbs)*	Maximum Temp. Continuous	Seal Type	Bearing Type	Approx. Roller Weight (lbs)
PTRE-1.00-HT	786	467	282	58	530	470	180	350°F	Fluorocarbon Lip	DGGB-SS	0.17
PTRE-1.125-HT	786	467	282	58	530	470	180	350°F	Fluorocarbon Lip	DGGB-SS	0.22
PTRE-1.25-HT	852	605	317	76	930	470	180	350°F	Fluorocarbon Lip	DGGB-SS	0.30
PTRE-1.375-HT	852	605	317	76	930	470	180	350°F	Fluorocarbon Lip	DGGB-SS	0.36
PTRE-1.50-HT	1,688	1,321	809	330	1,670	550	350	350°F	Fluorocarbon Lip	DGGB-SS	0.56
PTRE-1.75-HT	1,688	1,321	809	330	1,670	550	650	350°F	Fluorocarbon Lip	DGGB-SS	0.86
PTRE-2.00-HT	2,611	2,064	1,257	516	4,660	900	650	350°F	Fluorocarbon Lip	DGGB-SS	1.39
PTRE-2.25-HT	2,611	2,064	1,257	516	4,660	900	650	350°F	Fluorocarbon Lip	DGGB-SS	1.86
PTRE-2.50-HT	3,828	3,398	1,936	849	8,470	1,340	650	350°F	Fluorocarbon Lip	DGGB-SS	2.34
PTRE-2.75-HT	3,828	3,398	1,936	849	8,470	1,340	650	350°F	Fluorocarbon Lip	DGGB-SS	2.82
PTRE-3.00A-HT	7,102	5,081	3,287	1,270	13,980	1,950	1,500	350°F	Fluorocarbon Lip	DGGB-SS	3.99
PTRE-3.25A-HT	7,102	5,081	3,287	1,270	13,980	1,950	1,500	350°F	Fluorocarbon Lip	DGGB-SS	4.65
PTRE-3.50A-HT	7,102	5,081	3,287	1,270	13,980	1,950	1,500	350°F	Fluorocarbon Lip	DGGB-SS	5.48
PTRE-4.00A-HT	7,102	5,081	3,287	1,270	13,980	1,950	1,500	350°F	Fluorocarbon Lip	DGGB-SS	7.13

# PXRE-HT Series Roller Assembly

Plain/Cylindrical – Stud Type Eccentric  
High Temperature 350°F - Ball Bearings



FEATURING  
∞ INFINITY ROLLER™  
TECHNOLOGY

Stud Type XR Roller Part Number	A	B	C	D	ED	EL	EO	F	FL	H	SD	SL	T
	Roller Dia. +.000 -.001	Roller Width	Stud Dia.	Stud Length	Ecc Dia +.000 -.002	Ecc Length	Ecc Offset	Thread Size	Thread Length	Hex Size	Shoulder Dia.	Shoulder Length	Roller Width + Shoulder Length
PXRE-1.50-HT	1.500	0.88	0.625	1.50	0.875	0.75	0.03	5/8 - 18	0.75	5/16	1.0	0.03	0.91
PXRE-1.75-HT	1.750	1.00	0.750	1.75	1.000	0.88	0.03	3/4 - 16	0.90	5/16	1.2	0.03	1.03
PXRE-2.00-HT	2.000	1.25	0.875	2.00	1.187	1.00	0.03	7/8 - 14	1.00	5/16	1.5	0.03	1.28
PXRE-2.25-HT	2.250	1.25	0.875	2.00	1.187	1.00	0.03	7/8 - 14	1.00	5/16	1.5	0.03	1.28
PXRE-2.50-HT	2.500	1.50	1.000	2.25	1.375	1.12	0.03	1 - 14	1.13	3/8	1.9	0.03	1.53
PXRE-2.75-HT	2.750	1.50	1.000	2.25	1.375	1.12	0.03	1 - 14	1.13	3/8	1.9	0.03	1.53
PXRE-3.00A-HT	3.000	1.75	1.250	2.50	1.750	1.23	0.06	1 1/4 - 12	1.27	1/2	2.2	0.03	1.78
PXRE-3.25A-HT	3.250	1.75	1.250	2.50	1.750	1.23	0.06	1 1/4 - 12	1.27	1/2	2.2	0.03	1.78
PXRE-3.50A-HT	3.500	2.00	1.375	2.75	1.812	1.37	0.06	1 3/8 - 12	1.39	1/2	2.5	0.03	2.03
PXRE-4.00A-HT	4.000	2.25	1.500	3.50	2.000	2.00	0.06	1 1/2 - 12	1.50	1/2	2.5	0.03	2.28

# PXRE-HT Series Roller Assembly

Plain/Cylindrical – Stud Type Eccentric  
High Temperature 350° F - Ball Bearings



## ADDITIONAL NOTES

\*For lubricated threads, use half the maximum clamping torque value shown.

DGBB-SS: Deep Groove Ball Bearings – 440C Stainless Steel

FEATURING ∞ INFINITY ROLLER™ TECHNOLOGY

Jam Nut & Lock Washer sets are available at an additional cost.

For regreasable provisions, add a “-R” to the end of the part number. (See “-R” page for specifications)

Specifications subject to change without notice.

Ask about the 660° F Solution -XHT.

Stud Type XR Roller Part Number	Basic Radial Dynamic Load Rating (lbs) C	Basic Radial Static Load Rating (lbs) Co	Thrust Dynamic Load Rating (lbs)	Thrust Static Load Rating (lbs)	Stud Capacity (lbs)	Retaining Ring Capacity (lbs)	Max. Clamping Torque (in-lbs)*	Maximum Temp. Continuous	Seal Type	Bearing Type	Approx. Roller Weight (lbs)
PXRE-1.50-HT	1,276	1,114	641	278	5,050	910	350	350°F	Fluorocarbon Lip	DGBB-SS	0.53
PXRE-1.75-HT	1,276	1,114	641	278	4,430	910	650	350°F	Fluorocarbon Lip	DGBB-SS	0.84
PXRE-2.00-HT	2,565	2,168	1,270	542	5,710	1,340	650	350°F	Fluorocarbon Lip	DGBB-SS	1.46
PXRE-2.25-HT	2,565	2,168	1,270	542	5,710	1,340	650	350°F	Fluorocarbon Lip	DGBB-SS	1.78
PXRE-2.50-HT	3,828	3,398	1,936	849	9,270	1,340	1,500	350°F	Fluorocarbon Lip	DGBB-SS	2.43
PXRE-2.75-HT	3,828	3,398	1,936	849	9,270	1,340	1,500	350°F	Fluorocarbon Lip	DGBB-SS	2.89
PXRE-3.00A-HT	5,827	4,631	2,812	1,158	21,750	1,950	2,250	350°F	Fluorocarbon Lip	DGBB-SS	4.00
PXRE-3.25A-HT	5,827	4,631	2,812	1,158	21,750	1,950	2,250	350°F	Fluorocarbon Lip	DGBB-SS	4.36
PXRE-3.50A-HT	6,118	5,171	3,030	1,293	28,350	3,000	4,200	350°F	Fluorocarbon Lip	DGBB-SS	6.00
PXRE-4.00A-HT	6,118	5,171	3,030	1,293	25,160	3,000	5,000	350°F	Fluorocarbon Lip	DGBB-SS	9.11

# PTRY-HT Series Track Roller Assembly

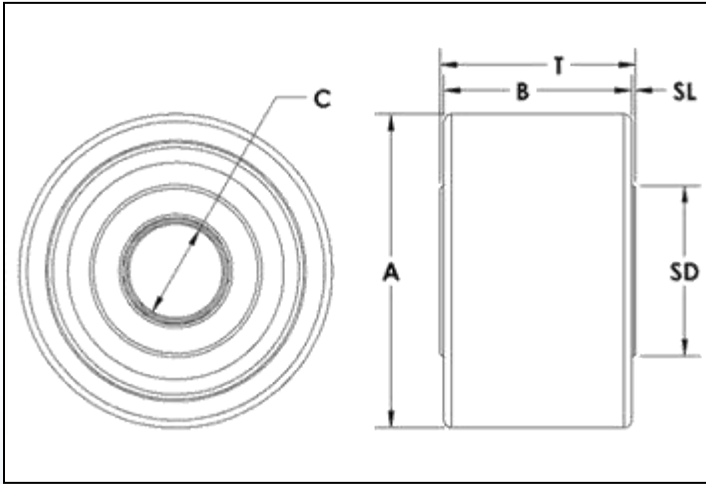
Plain/Cylindrical – Yoke Type

High Temperature 350° F - Ball Bearings



(989)358-6148

www.pcimfg.com



FEATURING  
∞ INFINITY ROLLER™  
TECHNOLOGY

Yoke Type Track Roller Part Number	A Roller Dia. +.000 -.001	B Roller Width	C Bore Dia. +.0007 -.0000	SD Shoulder Dia.	SL Shoulder Length	T Inner Race Width +.005 -.010
PTRY-1.50-HT	1.500	0.88	0.4380	0.9	0.03	0.937
PTRY-1.75-HT	1.750	1.00	0.5005	0.9	0.03	1.063
PTRY-2.00-HT	2.000	1.25	0.6255	1.1	0.03	1.313
PTRY-2.25-HT	2.250	1.25	0.6255	1.1	0.03	1.313
PTRY-2.50-HT	2.500	1.50	0.7505	1.2	0.03	1.563
PTRY-2.75-HT	2.750	1.50	0.7505	1.2	0.03	1.563
PTRY-3.00A-HT	3.000	1.75	1.0005	1.8	0.03	1.813
PTRY-3.25A-HT	3.250	1.75	1.0005	1.8	0.03	1.813
PTRY-3.50A-HT	3.500	2.00	1.1255	2.0	0.03	2.063
PTRY-4.00A-HT	4.000	2.25	1.2505	2.0	0.03	2.313

Optional PCI Yoke Shaft	Optional PCI Eccentric Yoke Shaft
YSH-.437	YSHE-.437
YSH-.500	YSHE-.500
YSH-.625	YSHE-.625
YSH-.625	YSHE-.625
YSH-.750	YSHE-.750
YSH-.750	YSHE-.750
YSH-1.000	YSHE-1.000
YSH-1.000	YSHE-1.000
YSH-1.125	YSHE-1.125
YSH-1.250	YSHE-1.250

# PTRY-HT Series Track Roller Assembly

Plain/Cylindrical – Yoke Type

High Temperature 350° F - Ball Bearings



(989)358-6148

www.pcimfg.com



## ADDITIONAL NOTES

DGBB-SS: Deep Groove Ball Bearings – 440C Stainless Steel

FEATURING ∞ INFINITY ROLLER™ TECHNOLOGY

PCI Heavy Duty Yoke Shafts are available at an additional cost. See YSH page for details.

For regreasable provisions, add a “-R” to the end of the part number. (See “PTRY-R” page for specifications)

Specifications subject to change without notice.

Ask about the 660° F Solution -XHT.

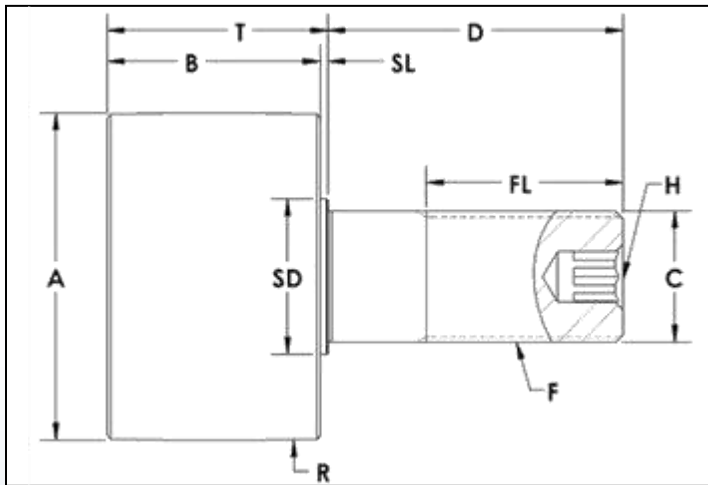
Yoke Type Track Roller Part Number	Basic Radial Dynamic Load Rating (lbs) C	Basic Radial Static Load Rating (lbs) Co	Thrust Dynamic Load Rating (lbs)	Thrust Static Load Rating (lbs)	Maximum Temp. Continuous	Seal Type	Bearing Type	Approx. Roller Weight (lbs)
PTRY-1.50-HT	1,276	1,114	641	278	350°F	Fluorocarbon Lip	DGBB-SS	0.31
PTRY-1.75-HT	1,276	1,114	641	278	350°F	Fluorocarbon Lip	DGBB-SS	0.51
PTRY-2.00-HT	2,565	2,168	1,270	542	350°F	Fluorocarbon Lip	DGBB-SS	0.82
PTRY-2.25-HT	2,565	2,168	1,270	542	350°F	Fluorocarbon Lip	DGBB-SS	1.10
PTRY-2.50-HT	3,828	3,398	1,936	849	350°F	Fluorocarbon Lip	DGBB-SS	1.59
PTRY-2.75-HT	3,828	3,398	1,936	849	350°F	Fluorocarbon Lip	DGBB-SS	2.03
PTRY-3.00A-HT	5,827	4,631	2,812	1,158	350°F	Fluorocarbon Lip	DGBB-SS	2.47
PTRY-3.25A-HT	5,827	4,631	2,812	1,158	350°F	Fluorocarbon Lip	DGBB-SS	3.09
PTRY-3.50A-HT	6,118	5,171	3,030	1,293	350°F	Fluorocarbon Lip	DGBB-SS	4.00
PTRY-4.00A-HT	6,118	5,171	3,030	1,293	350°F	Fluorocarbon Lip	DGBB-SS	6.36

# CTR-HT Series Track Roller Assembly

Crowned/Spherical – Stud Type Concentric  
High Temperature 350°F - Ball Bearings



(989)358-6148  
www.pcimfg.com



FEATURING  
∞ INFINITY ROLLER™  
TECHNOLOGY

Stud Type Track Roller Part Number	A	B	C	D	F	FL	H	R	SD	SL	T
	Roller Dia. +.000 -.001	Roller Width	Stud Dia. +.000 -.001	Stud Length	Thread Size	Thread Length	Hex Size	Crown Radius	Shoulder Dia.	Shoulder Length	Roller Width + Shoulder Length
CTR-1.00-HT	1.000	0.75	0.437	1.00	7/16 - 20	0.50	3/16	12	0.5	0.03	0.78
CTR-1.125-HT	1.125	0.75	0.437	1.00	7/16 - 20	0.50	3/16	12	0.5	0.03	0.78
CTR-1.25-HT	1.250	0.81	0.500	1.25	1/2 - 20	0.63	3/16	14	0.6	0.03	0.84
CTR-1.375-HT	1.375	0.81	0.500	1.25	1/2 - 20	0.63	3/16	14	0.6	0.03	0.84
CTR-1.50-HT	1.500	1.13	0.625	1.50	5/8 - 18	0.75	5/16	20	0.8	0.06	1.19
CTR-1.75-HT	1.750	1.13	0.750	1.75	3/4 - 16	0.88	5/16	20	0.9	0.06	1.19
CTR-2.00-HT	2.000	1.63	0.875	2.00	7/8 - 14	1.13	5/16	24	1.0	0.06	1.69
CTR-2.25-HT	2.250	1.63	0.875	2.00	7/8 - 14	1.13	5/16	24	1.0	0.06	1.69
CTR-2.50-HT	2.500	1.63	1.000	2.25	1 - 14	1.50	3/8	30	1.2	0.06	1.69
CTR-2.75-HT	2.750	1.63	1.000	2.25	1 - 14	1.50	3/8	30	1.2	0.06	1.69
CTR-3.00A-HT	3.000	1.94	1.250	2.50	1 1/4 - 12	1.75	1/2	30	1.5	0.06	2.00
CTR-3.25A-HT	3.250	1.94	1.250	2.50	1 1/4 - 12	1.75	1/2	30	1.5	0.06	2.00
CTR-3.50A-HT	3.500	1.94	1.250	2.75	1 1/4 - 12	1.75	1/2	30	1.5	0.06	2.00
CTR-4.00A-HT	4.000	1.94	1.250	2.75	1 1/4 - 12	1.75	1/2	30	1.5	0.06	2.00

# CTR-HT Series Track Roller Assembly

Crowned/Spherical – Stud Type Concentric  
High Temperature 350°F - Ball Bearings



(989)358-6148  
www.pcimfg.com



## ADDITIONAL NOTES

\*For lubricated threads, use half the maximum clamping torque value shown.

DGGB-SS: Deep Groove Ball Bearings – 440C Stainless Steel

FEATURING ∞ INFINITY ROLLER™ TECHNOLOGY

Jam Nut & Lock Washer sets are available at an additional cost.

For regreasable provisions, add a “-R” to the end of the part number. (See “-R” page for specifications)

Specifications subject to change without notice.

Ask about the 660° F Solution -XHT.

Stud Type Track Roller Part Number	Basic Radial Dynamic Load Rating (lbs) C	Basic Radial Static Load Rating (lbs) Co	Thrust Dynamic Load Rating (lbs)	Thrust Static Load Rating (lbs)	Stud Capacity (lbs)	Retaining Ring Capacity (lbs)	Max. Clamping Torque (in-lbs)*	Maximum Temp. Continuous	Seal Type	Bearing Type	Approx. Roller Weight (lbs)
CTR-1.00-HT	786	467	282	58	530	390	180	350°F	Fluorocarbon Lip	DGGB-SS	0.17
CTR-1.125-HT	786	467	282	58	530	390	180	350°F	Fluorocarbon Lip	DGGB-SS	0.22
CTR-1.25-HT	852	605	317	76	930	470	180	350°F	Fluorocarbon Lip	DGGB-SS	0.30
CTR-1.375-HT	852	605	317	76	930	470	180	350°F	Fluorocarbon Lip	DGGB-SS	0.36
CTR-1.50-HT	1,688	1,321	809	330	1,670	550	350	350°F	Fluorocarbon Lip	DGGB-SS	0.56
CTR-1.75-HT	1,688	1,321	809	330	1,670	550	650	350°F	Fluorocarbon Lip	DGGB-SS	0.86
CTR-2.00-HT	2,611	2,064	1,257	516	4,660	900	650	350°F	Fluorocarbon Lip	DGGB-SS	1.39
CTR-2.25-HT	2,611	2,064	1,257	516	4,660	900	650	350°F	Fluorocarbon Lip	DGGB-SS	1.86
CTR-2.50-HT	3,828	3,398	1,936	849	8,470	1,340	650	350°F	Fluorocarbon Lip	DGGB-SS	2.34
CTR-2.75-HT	3,828	3,398	1,936	849	8,470	1,340	650	350°F	Fluorocarbon Lip	DGGB-SS	2.82
CTR-3.00A-HT	7,102	5,081	3,287	1,270	13,980	1,950	1,500	350°F	Fluorocarbon Lip	DGGB-SS	3.99
CTR-3.25A-HT	7,102	5,081	3,287	1,270	13,980	1,950	1,500	350°F	Fluorocarbon Lip	DGGB-SS	4.65
CTR-3.50A-HT	7,102	5,081	3,287	1,270	13,980	1,950	1,500	350°F	Fluorocarbon Lip	DGGB-SS	5.48
CTR-4.00A-HT	7,102	5,081	3,287	1,270	13,980	1,950	1,500	350°F	Fluorocarbon Lip	DGGB-SS	7.13

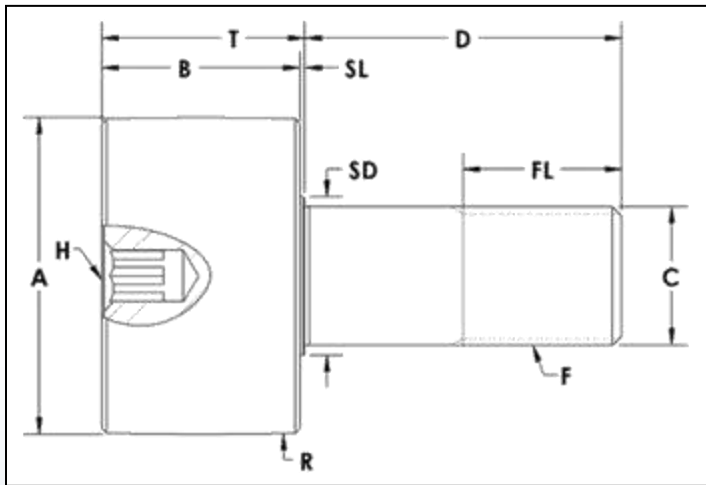


# CXR-HT Series Roller Assembly

Crowned/Spherical- Stud Type Concentric  
High Temperature 350° F - Ball Bearings



(989)358-6148  
www.pcimfg.com



FEATURING  
∞ INFINITY ROLLER™  
TECHNOLOGY

Stud Type XR Roller Part Number	A Roller Dia. +.000 -.001	B Roller Width	C Stud Dia. +.000 -.001	D Stud Length	F Thread Size	FL Thread Length	H Hex Size	R Crown Radius	SD Shoulder Dia.	SL Shoulder Length	T Roller Width + Shoulder Length
CXR-1.50-HT	1.500	0.88	0.625	1.50	5/8 - 18	0.75	5/16	20	0.8	0.03	0.91
CXR-1.75-HT	1.750	1.00	0.750	1.75	3/4 - 16	0.88	5/16	20	0.9	0.03	1.03
CXR-2.00-HT	2.000	1.25	0.875	2.00	7/8 - 14	1.00	5/16	24	1.0	0.03	1.28
CXR-2.25-HT	2.250	1.25	0.875	2.00	7/8 - 14	1.00	5/16	24	1.0	0.03	1.28
CXR-2.50-HT	2.500	1.50	1.000	2.25	1 - 14	1.13	3/8	30	1.2	0.03	1.53
CXR-2.75-HT	2.750	1.50	1.000	2.25	1 - 14	1.13	3/8	30	1.2	0.03	1.53
CXR-3.00A-HT	3.000	1.75	1.250	2.50	1 1/4 - 12	1.25	1/2	30	1.6	0.03	1.78
CXR-3.25A-HT	3.250	1.75	1.250	2.50	1 1/4 - 12	1.25	1/2	30	1.6	0.03	1.78
CXR-3.50A-HT	3.500	2.00	1.375	2.75	1 3/8 - 12	1.38	1/2	30	1.8	0.03	2.03
CXR-4.00A-HT	4.000	2.25	1.500	3.50	1 1/2 - 12	1.50	1/2	30	1.8	0.03	2.28

# CXR-HT Series Roller Assembly

Crowned/Spherical – Stud Type Concentric  
High Temperature 350°F - Ball Bearings



## ADDITIONAL NOTES

\*For lubricated threads, use half the maximum clamping torque value shown.

DGGB-SS: Deep Groove Ball Bearings – 440C Stainless Steel

FEATURING ∞ INFINITY ROLLER™ TECHNOLOGY

Jam Nut & Lock Washer sets are available at an additional cost.

For regreasable provisions, add a “-R” to the end of the part number. (See “-R” page for specifications)

Specifications subject to change without notice.

Ask about the 660° F Solution -XHT.

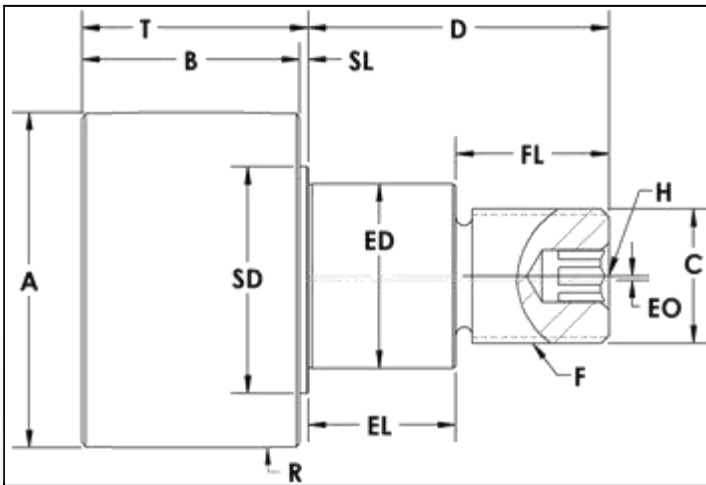
Stud Type XR Roller Part Number	Basic Radial Dynamic Load Rating (lbs) C	Basic Radial Static Load Rating (lbs) Co	Thrust Dynamic Load Rating (lbs)	Thrust Static Load Rating (lbs)	Stud Capacity (lbs)	Retaining Ring Capacity (lbs)	Max. Clamping Torque (in-lbs)*	Maximum Temp. Continuous	Seal Type	Bearing Type	Approx. Roller Weight (lbs)
CXR-1.50-HT	1,276	1,114	641	278	3,840	910	350	350°F	Fluorocarbon Lip	DGGB-SS	0.45
CXR-1.75-HT	1,276	1,114	641	278	4,430	910	650	350°F	Fluorocarbon Lip	DGGB-SS	0.75
CXR-2.00-HT	2,565	2,168	1,270	542	5,690	1,340	650	350°F	Fluorocarbon Lip	DGGB-SS	1.22
CXR-2.25-HT	2,565	2,168	1,270	542	5,690	1,340	650	350°F	Fluorocarbon Lip	DGGB-SS	1.50
CXR-2.50-HT	3,828	3,398	1,936	849	9,270	1,340	1,500	350°F	Fluorocarbon Lip	DGGB-SS	2.17
CXR-2.75-HT	3,828	3,398	1,936	849	9,270	1,340	1,500	350°F	Fluorocarbon Lip	DGGB-SS	2.60
CXR-3.00A-HT	5,827	4,631	2,812	1,158	15,710	1,950	2,250	350°F	Fluorocarbon Lip	DGGB-SS	3.56
CXR-3.25A-HT	5,827	4,631	2,812	1,158	15,710	1,950	2,250	350°F	Fluorocarbon Lip	DGGB-SS	4.31
CXR-3.50A-HT	6,118	5,171	3,030	1,293	18,140	3,000	4,200	350°F	Fluorocarbon Lip	DGGB-SS	5.47
CXR-4.00A-HT	6,118	5,171	3,030	1,293	21,200	3,000	5,000	350°F	Fluorocarbon Lip	DGGB-SS	8.25

# CTRE-HT Series Track Roller Assembly

Crowned/Spherical – Stud Type Eccentric  
High Temperature 350° F - Ball Bearings



(989)358-6148  
www.pcimfg.com



FEATURING  
∞ INFINITY ROLLER™  
TECHNOLOGY

Stud Type Track Roller Part Number	A	B	C	D	ED	EL	EO	F	FL	H	SD	SL	T
	Roller Dia. +0.000 -0.001	Roller Width	Stud Dia. +0.000 -0.001	Stud Length	Ecc Dia +0.000 -0.002	Ecc Length	Ecc Offset	Thread Size	Thread Length	Hex Size	Shoulder Dia.	Shoulder Length	Roller Width + Shoulder Length
CTRE-1.00-HT	1.000	0.75	0.437	1.00	0.625	0.48	0.03	7/16 - 20	0.52	3/16	0.7	0.03	0.78
CTRE-1.125-HT	1.125	0.75	0.437	1.00	0.625	0.48	0.03	7/16 - 20	0.52	3/16	0.7	0.03	0.78
CTRE-1.25-HT	1.250	0.81	0.500	1.25	0.687	0.61	0.03	1/2 - 20	0.65	3/16	0.8	0.03	0.84
CTRE-1.375-HT	1.375	0.81	0.500	1.25	0.687	0.61	0.03	1/2 - 20	0.65	3/16	0.8	0.03	0.84
CTRE-1.50-HT	1.500	1.13	0.625	1.50	0.875	0.73	0.03	5/8 - 18	0.77	5/16	1.1	0.06	1.19
CTRE-1.75-HT	1.750	1.13	0.750	1.75	1.000	0.86	0.03	3/4 - 16	0.90	5/16	1.3	0.06	1.19
CTRE-2.00-HT	2.000	1.63	0.875	2.00	1.187	0.98	0.03	7/8 - 14	1.02	5/16	1.5	0.06	1.69
CTRE-2.25-HT	2.250	1.63	0.875	2.00	1.187	0.98	0.03	7/8 - 14	1.02	5/16	1.5	0.06	1.69
CTRE-2.50-HT	2.500	1.63	1.000	2.25	1.375	1.11	0.03	1 - 14	1.15	3/8	1.7	0.06	1.69
CTRE-2.75-HT	2.750	1.63	1.000	2.25	1.375	1.11	0.03	1 - 14	1.15	3/8	1.7	0.06	1.69
CTRE-3.00A-HT	3.000	1.94	1.250	2.50	1.750	1.23	0.06	1 1/4 - 12	1.27	1/2	2.2	0.06	2.00
CTRE-3.25A-HT	3.250	1.94	1.250	2.50	1.750	1.23	0.06	1 1/4 - 12	1.27	1/2	2.2	0.06	2.00
CTRE-3.50A-HT	3.500	1.94	1.250	2.75	1.812	1.36	0.06	1 1/4 - 12	1.40	1/2	2.2	0.06	2.00
CTRE-4.00A-HT	4.000	1.94	1.250	2.75	1.812	1.36	0.06	1 1/4 - 12	1.40	1/2	2.2	0.06	2.00

# CTRE-HT Series Track Roller Assembly

Crowned/Spherical – Stud Type Eccentric  
High Temperature 350° F - Ball Bearings



(989)358-6148  
www.pcimfg.com



## ADDITIONAL NOTES

\*For lubricated threads, use half the maximum clamping torque value shown.

DGGB-SS: Deep Groove Ball Bearings – 440C Stainless Steel

FEATURING ∞ INFINITY ROLLER™ TECHNOLOGY

Jam Nut & Lock Washer sets are available at an additional cost.

For regreasable provisions, add a “-R” to the end of the part number. (See “-R” page for specifications)

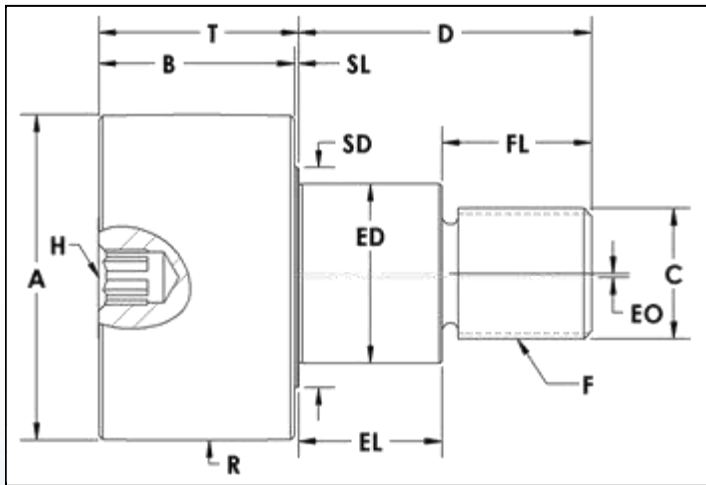
Specifications subject to change without notice.

Ask about the 660° F Solution -XHT.

Stud Type Track Roller Part Number	Basic Radial Dynamic Load Rating (lbs) C	Basic Radial Static Load Rating (lbs) Co	Thrust Dynamic Load Rating (lbs)	Thrust Static Load Rating (lbs)	Stud Capacity (lbs)	Retaining Ring Capacity (lbs)	Max. Clamping Torque (in-lbs)*	Maximum Temp. Continuous	Seal Type	Bearing Type	Approx. Roller Weight (lbs)
CTRE-1.00-HT	786	467	282	58	530	390	180	350°F	Fluorocarbon Lip	DGGB-SS	0.20
CTRE-1.125-HT	786	467	282	58	530	390	180	350°F	Fluorocarbon Lip	DGGB-SS	0.24
CTRE-1.25-HT	852	605	317	76	940	470	180	350°F	Fluorocarbon Lip	DGGB-SS	0.32
CTRE-1.375-HT	852	605	317	76	940	470	180	350°F	Fluorocarbon Lip	DGGB-SS	0.37
CTRE-1.50-HT	1,688	1,321	809	330	1,680	550	350	350°F	Fluorocarbon Lip	DGGB-SS	0.63
CTRE-1.75-HT	1,688	1,321	809	330	1,680	550	650	350°F	Fluorocarbon Lip	DGGB-SS	0.96
CTRE-2.00-HT	2,611	2,064	1,257	516	4,660	900	650	350°F	Fluorocarbon Lip	DGGB-SS	1.68
CTRE-2.25-HT	2,611	2,064	1,257	516	4,660	900	650	350°F	Fluorocarbon Lip	DGGB-SS	2.07
CTRE-2.50-HT	3,828	3,398	1,936	849	8,470	1,340	650	350°F	Fluorocarbon Lip	DGGB-SS	2.48
CTRE-2.75-HT	3,828	3,398	1,936	849	8,470	1,340	650	350°F	Fluorocarbon Lip	DGGB-SS	3.08
CTRE-3.00A-HT	7,102	5,081	3,287	1,270	13,980	1,950	1,500	350°F	Fluorocarbon Lip	DGGB-SS	4.53
CTRE-3.25A-HT	7,102	5,081	3,287	1,270	13,980	1,950	1,500	350°F	Fluorocarbon Lip	DGGB-SS	5.19
CTRE-3.50A-HT	7,102	5,081	3,287	1,270	13,980	1,950	1,500	350°F	Fluorocarbon Lip	DGGB-SS	6.10
CTRE-4.00A-HT	7,102	5,081	3,287	1,270	13,980	1,950	1,500	350°F	Fluorocarbon Lip	DGGB-SS	7.69

# CXRE-HT Series Roller Assembly

Crowned/Spherical – Stud Type Eccentric  
High Temperature 350°F - Ball Bearings



FEATURING  
∞ INFINITY ROLLER™  
TECHNOLOGY

Stud Type XR Roller Part Number	A Roller Dia. +.000 -.001	B Roller Width	C Stud Dia.	D Stud Length	ED Ecc Dia +.000 -.002	EL Ecc Length	EO Ecc Offset	F Thread Size	FL Thread Length	H Hex Size	R Crown Radius	SD Shoulder Dia.	SL Shoulder Length	T Roller Width + Shoulder Length
CXRE-1.50-HT	1.500	0.88	0.625	1.50	0.875	0.75	0.03	5/8 - 18	0.75	5/16	20	1.0	0.03	0.91
CXRE-1.75-HT	1.750	1.00	0.750	1.75	1.000	0.88	0.03	3/4 - 16	0.90	5/16	20	1.2	0.03	1.03
CXRE-2.00-HT	2.000	1.25	0.875	2.00	1.187	1.00	0.03	7/8 - 14	1.00	5/16	24	1.5	0.03	1.28
CXRE-2.25-HT	2.250	1.25	0.875	2.00	1.187	1.00	0.03	7/8 - 14	1.00	5/16	24	1.5	0.03	1.28
CXRE-2.50-HT	2.500	1.50	1.000	2.25	1.375	1.12	0.03	1 - 14	1.13	3/8	30	1.9	0.03	1.53
CXRE-2.75-HT	2.750	1.50	1.000	2.25	1.375	1.12	0.03	1 - 14	1.13	3/8	30	1.9	0.03	1.53
CXRE-3.00A-HT	3.000	1.75	1.250	2.50	1.750	1.23	0.06	1 1/4 - 12	1.27	1/2	30	2.2	0.03	1.78
CXRE-3.25A-HT	3.250	1.75	1.250	2.50	1.750	1.23	0.06	1 1/4 - 12	1.27	1/2	30	2.2	0.03	1.78
CXRE-3.50A-HT	3.500	2.00	1.375	2.75	1.812	1.37	0.06	1 3/8 - 12	1.39	1/2	30	2.5	0.03	2.03
CXRE-4.00A-HT	4.000	2.25	1.500	3.50	2.000	2.00	0.06	1 1/2 - 12	1.50	1/2	30	2.5	0.03	2.28

# CXRE-HT Series Roller Assembly

Crowned/Spherical – Stud Type Eccentric  
High Temperature 350°F - Ball Bearings



## ADDITIONAL NOTES

\*For lubricated threads, use half the maximum clamping torque value shown.

DGBB-SS: Deep Groove Ball Bearings – 440C Stainless Steel

FEATURING ∞ INFINITY ROLLER™ TECHNOLOGY

Jam Nut & Lock Washer sets are available at an additional cost.

For regreasable provisions, add a “-R” to the end of the part number. (See “-R” page for specifications)

Specifications subject to change without notice.

Ask about the 660° F Solution -XHT.

Stud Type XR Roller Part Number	Basic Radial Dynamic Load Rating (lbs) C	Basic Radial Static Load Rating (lbs) Co	Thrust Dynamic Load Rating (lbs)	Thrust Static Load Rating (lbs)	Stud Capacity (lbs)	Retaining Ring Capacity (lbs)	Max. Clamping Torque (in-lbs)*	Maximum Temp. Continuous	Seal Type	Bearing Type	Approx. Roller Weight (lbs)
CXRE-1.50-HT	1,276	1,114	641	278	1,390	910	350	350°F	Fluorocarbon Lip	DGBB-SS	0.53
CXRE-1.75-HT	1,276	1,114	641	278	2,100	910	650	350°F	Fluorocarbon Lip	DGBB-SS	0.84
CXRE-2.00-HT	2,565	2,168	1,270	542	1,940	1,340	650	350°F	Fluorocarbon Lip	DGBB-SS	1.46
CXRE-2.25-HT	2,565	2,168	1,270	542	2,560	1,340	650	350°F	Fluorocarbon Lip	DGBB-SS	1.78
CXRE-2.50-HT	3,828	3,398	1,936	849	2,550	1,340	1,500	350°F	Fluorocarbon Lip	DGBB-SS	2.43
CXRE-2.75-HT	3,828	3,398	1,936	849	3,380	1,340	1,500	350°F	Fluorocarbon Lip	DGBB-SS	2.89
CXRE-3.00A-HT	5,827	4,631	2,812	1,158	5,670	1,950	2,250	350°F	Fluorocarbon Lip	DGBB-SS	4.00
CXRE-3.25A-HT	5,827	4,631	2,812	1,158	5,670	1,950	2,250	350°F	Fluorocarbon Lip	DGBB-SS	4.36
CXRE-3.50A-HT	6,118	5,171	3,030	1,293	6,620	3,000	4,200	350°F	Fluorocarbon Lip	DGBB-SS	6.00
CXRE-4.00A-HT	6,118	5,171	3,030	1,293	7,650	3,000	5,000	350°F	Fluorocarbon Lip	DGBB-SS	9.11

# CTRY-HT Series Track Roller Assembly

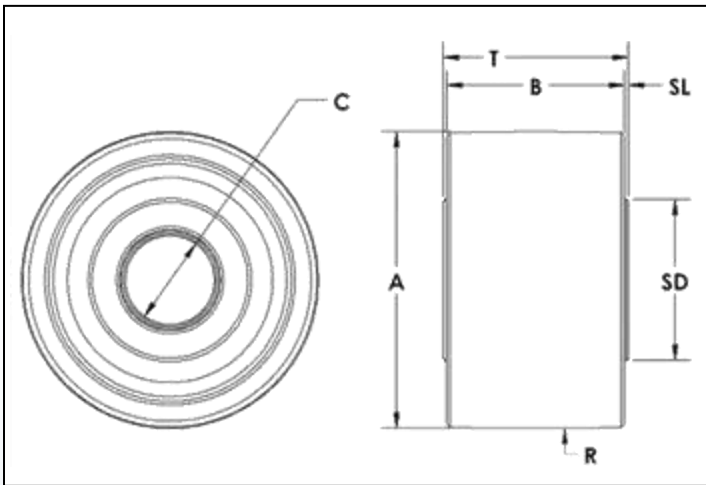
Crowned/Spherical – Yoke Type

High Temperature 350° F - Ball Bearings



(989)358-6148

www.pcimfg.com



FEATURING  
∞ INFINITY ROLLER™  
TECHNOLOGY

Yoke Type Track Roller Part Number	A Roller Dia. +.000 -.001	B Roller Width	C Bore Dia. +.0007 -.0000	R Crown Radius	SD Shoulder Dia.	SL Shoulder Length	T Inner Race Width +.005 -.010
CTRY-1.50-HT	1.500	0.88	0.4380	20	0.9	0.03	0.937
CTRY-1.75-HT	1.750	1.00	0.5005	20	0.9	0.03	1.063
CTRY-2.00-HT	2.000	1.25	0.6255	24	1.1	0.03	1.313
CTRY-2.25-HT	2.250	1.25	0.6255	24	1.1	0.03	1.313
CTRY-2.50-HT	2.500	1.50	0.7505	30	1.2	0.03	1.563
CTRY-2.75-HT	2.750	1.50	0.7505	30	1.2	0.03	1.563
CTRY-3.00A-HT	3.000	1.75	1.0005	30	1.8	0.03	1.813
CTRY-3.25A-HT	3.250	1.75	1.0005	30	1.8	0.03	1.813
CTRY-3.50A-HT	3.500	2.00	1.1255	30	2.0	0.03	2.063
CTRY-4.00A-HT	4.000	2.25	1.2505	30	2.0	0.03	2.313

Optional PCI Yoke Shaft	Optional PCI Eccentric Yoke Shaft
YSH-.437	YSHE-.437
YSH-.500	YSHE-.500
YSH-.625	YSHE-.625
YSH-.625	YSHE-.625
YSH-.750	YSHE-.750
YSH-.750	YSHE-.750
YSH-1.000	YSHE-1.000
YSH-1.000	YSHE-1.000
YSH-1.125	YSHE-1.125
YSH-1.250	YSHE-1.250

# CTRY-HT Series Track Roller Assembly

Crowned/Spherical – Yoke Type  
High Temperature 350° F - Ball Bearings



## ADDITIONAL NOTES

DGBB-SS: Deep Groove Ball Bearings – 440C Stainless Steel

FEATURING ∞ INFINITY ROLLER™ TECHNOLOGY

PCI Heavy Duty Yoke Shafts are available at an additional cost. See YSH page for details.

For regreasable provisions, add a “-R” to the end of the part number. (See “CTRY-R” page for specifications)

Specifications subject to change without notice.

Ask about the 660° F Solution -XHT.

Yoke Type Track Roller Part Number	Basic Radial Dynamic Load Rating (lbs) C	Basic Radial Static Load Rating (lbs) Co	Thrust Dynamic Load Rating (lbs)	Thrust Static Load Rating (lbs)	Maximum Temp. Continuous	Seal Type	Bearing Type	Approx. Roller Weight (lbs)
CTRY-1.50-HT	1,276	1,114	641	278	350°F	Fluorocarbon Lip	DGBB-SS	0.31
CTRY-1.75-HT	1,276	1,114	641	278	350°F	Fluorocarbon Lip	DGBB-SS	0.51
CTRY-2.00-HT	2,565	2,168	1,270	542	350°F	Fluorocarbon Lip	DGBB-SS	0.82
CTRY-2.25-HT	2,565	2,168	1,270	542	350°F	Fluorocarbon Lip	DGBB-SS	1.10
CTRY-2.50-HT	3,828	3,398	1,936	849	350°F	Fluorocarbon Lip	DGBB-SS	1.59
CTRY-2.75-HT	3,828	3,398	1,936	849	350°F	Fluorocarbon Lip	DGBB-SS	2.03
CTRY-3.00A-HT	5,827	4,631	2,812	1,158	350°F	Fluorocarbon Lip	DGBB-SS	2.47
CTRY-3.25A-HT	5,827	4,631	2,812	1,158	350°F	Fluorocarbon Lip	DGBB-SS	3.09
CTRY-3.50A-HT	6,118	5,171	3,030	1,293	350°F	Fluorocarbon Lip	DGBB-SS	4.00
CTRY-4.00A-HT	6,118	5,171	3,030	1,293	350°F	Fluorocarbon Lip	DGBB-SS	6.36

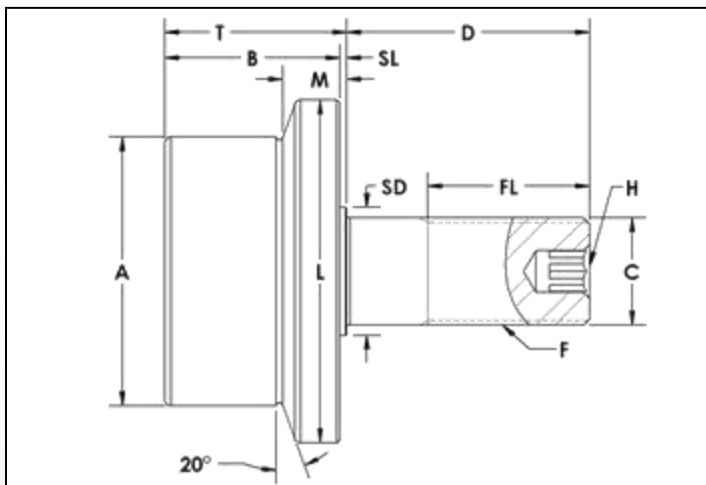


# FTR-HT Series Track Roller Assembly

Flanged – Stud Type Concentric  
High Temperature 350°F - Ball Bearings



(989)358-6148  
www.pcimfg.com



FEATURING  
∞ INFINITY ROLLER™  
TECHNOLOGY

Stud Type Track Roller Part Number	A	B	C	D	F	FL	H	L	M	SD	SL	T
	Roller Dia. +0.000 -0.001	Roller Width	Stud Dia. +0.000 -0.001	Stud Length	Thread Size	Thread Length	Hex Size	Flange Dia	Flange Width	Shoulder Dia.	Shoulder Length	Roller Width + Shoulder Length
FTR-1.00-HT	1.000	0.75	0.437	1.00	7/16 - 20	0.50	3/16	1.38	0.22	0.5	0.03	0.78
FTR-1.125-HT	1.125	0.75	0.437	1.00	7/16 - 20	0.50	3/16	1.50	0.22	0.5	0.03	0.78
FTR-1.25-HT	1.250	0.81	0.500	1.25	1/2 - 20	0.63	3/16	1.56	0.22	0.6	0.03	0.84
FTR-1.375-HT	1.375	0.81	0.500	1.25	1/2 - 20	0.63	3/16	1.69	0.22	0.6	0.03	0.84
FTR-1.50-HT	1.500	1.13	0.625	1.50	5/8 - 18	0.75	5/16	2.19	0.34	0.8	0.06	1.19
FTR-1.75-HT	1.750	1.13	0.750	1.75	3/4 - 16	0.88	5/16	2.44	0.34	0.9	0.06	1.19
FTR-2.00-HT	2.000	1.63	0.875	2.00	7/8 - 14	1.13	5/16	2.69	0.59	1.0	0.06	1.69
FTR-2.25-HT	2.250	1.63	0.875	2.00	7/8 - 14	1.13	5/16	2.94	0.59	1.0	0.06	1.69
FTR-2.50-HT	2.500	1.63	1.000	2.25	1 - 14	1.50	3/8	3.19	0.59	1.2	0.06	1.69
FTR-2.75-HT	2.750	1.63	1.000	2.25	1 - 14	1.50	3/8	3.44	0.59	1.2	0.06	1.69
FTR-3.00A-HT	3.000	1.94	1.250	2.50	1 1/4 - 12	1.75	1/2	3.94	0.59	1.5	0.06	2.00
FTR-3.25A-HT	3.250	1.94	1.250	2.50	1 1/4 - 12	1.75	1/2	4.19	0.59	1.5	0.06	2.00
FTR-3.50A-HT	3.500	1.94	1.250	2.75	1 1/4 - 12	1.75	1/2	4.44	0.59	1.5	0.06	2.00
FTR-4.00A-HT	4.000	1.94	1.250	2.75	1 1/4 - 12	1.75	1/2	4.94	0.59	1.5	0.06	2.00

# FTR-HT Series Track Roller Assembly

Flanged – Stud Type Concentric  
High Temperature 350°F - Ball Bearings



## ADDITIONAL NOTES

\*For lubricated threads, use half the maximum clamping torque value shown.

DGGB-SS: Deep Groove Ball Bearings – 440C Stainless Steel

FEATURING ∞ INFINITY ROLLER™ TECHNOLOGY

Jam Nut & Lock Washer sets are available at an additional cost.

For regreasable provisions, add a “-R” to the end of the part number. (See “-R” page for specifications)

Specifications subject to change without notice.

Ask about the 660° F Solution -XHT.

Stud Type Track Roller Part Number	Basic Radial Dynamic Load Rating (lbs) C	Basic Radial Static Load Rating (lbs) Co	Thrust Dynamic Load Rating (lbs)	Thrust Static Load Rating (lbs)	Stud Capacity (lbs)	Retaining Ring Capacity (lbs)	Max. Clamping Torque (in-lbs)*	Maximum Temp. Continuous	Seal Type	Bearing Type	Approx. Roller Weight (lbs)
FTR-1.00-HT	786	467	282	58	380	390	180	350°F	Fluorocarbon Lip	DGGB-SS	0.20
FTR-1.125-HT	786	467	282	58	380	390	180	350°F	Fluorocarbon Lip	DGGB-SS	0.24
FTR-1.25-HT	852	605	317	76	700	470	180	350°F	Fluorocarbon Lip	DGGB-SS	0.32
FTR-1.375-HT	852	605	317	76	700	470	180	350°F	Fluorocarbon Lip	DGGB-SS	0.37
FTR-1.50-HT	1,688	1,321	809	330	1,210	550	350	350°F	Fluorocarbon Lip	DGGB-SS	0.66
FTR-1.75-HT	1,688	1,321	809	330	1,210	550	650	350°F	Fluorocarbon Lip	DGGB-SS	0.97
FTR-2.00-HT	2,611	2,064	1,257	516	2,840	900	650	350°F	Fluorocarbon Lip	DGGB-SS	1.76
FTR-2.25-HT	2,611	2,064	1,257	516	3,480	900	650	350°F	Fluorocarbon Lip	DGGB-SS	2.18
FTR-2.50-HT	3,828	3,398	1,936	849	6,280	1,340	650	350°F	Fluorocarbon Lip	DGGB-SS	2.70
FTR-2.75-HT	3,828	3,398	1,936	849	6,540	1,340	650	350°F	Fluorocarbon Lip	DGGB-SS	3.20
FTR-3.00A-HT	7,102	5,081	3,287	1,270	10,800	1,950	1,500	350°F	Fluorocarbon Lip	DGGB-SS	4.60
FTR-3.25A-HT	7,102	5,081	3,287	1,270	10,800	1,950	1,500	350°F	Fluorocarbon Lip	DGGB-SS	5.34
FTR-3.50A-HT	7,102	5,081	3,287	1,270	10,800	1,950	1,500	350°F	Fluorocarbon Lip	DGGB-SS	6.08
FTR-4.00A-HT	7,102	5,081	3,287	1,270	10,800	1,950	1,500	350°F	Fluorocarbon Lip	DGGB-SS	7.92

# FTRE-HT Series Track Roller Assembly

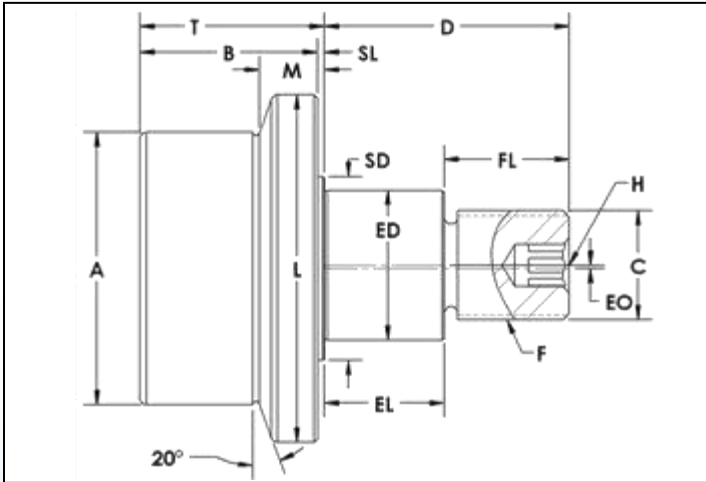
Flanged – Stud Type Eccentric

High Temperature 350° F - Ball Bearings



(989)358-6148

www.pcimfg.com



FEATURING  
∞ INFINITY ROLLER™  
TECHNOLOGY

Stud Type Track Roller Part Number	A	B	C	D	ED	EL	EO	F	FL	H	L	M	SD	SL	T
	Roller Dia. +.000 -.001	Roller Width	Stud Dia.	Stud Length	Ecc Dia +.000 -.002	Ecc Length	Ecc Offset	Thread Size	Thread Length	Hex Size	Flange Dia	Flange Width	Shoulder Dia.	Shoulder Length	Roller Width + Shoulder Length
FTRE-1.00-HT	1.000	0.75	0.437	1.00	0.625	0.480	0.030	7/16 - 20	0.52	3/16	1.38	0.22	0.7	0.03	0.78
FTRE-1.125-HT	1.125	0.75	0.437	1.00	0.625	0.480	0.030	7/16 - 20	0.52	3/16	1.50	0.22	0.7	0.03	0.78
FTRE-1.25-HT	1.250	0.81	0.500	1.25	0.687	0.605	0.030	1/2 - 20	0.65	3/16	1.56	0.22	0.8	0.03	0.84
FTRE-1.375-HT	1.375	0.81	0.500	1.25	0.687	0.605	0.030	1/2 - 20	0.65	3/16	1.69	0.22	0.8	0.03	0.84
FTRE-1.50-HT	1.500	1.13	0.625	1.50	0.875	0.730	0.030	5/8 - 18	0.77	5/16	2.19	0.34	1.1	0.06	1.19
FTRE-1.75-HT	1.750	1.13	0.750	1.75	1.000	0.855	0.030	3/4 - 16	0.90	5/16	2.44	0.34	1.3	0.06	1.19
FTRE-2.00-HT	2.000	1.63	0.875	2.00	1.187	0.980	0.030	7/8 - 14	1.02	5/16	2.69	0.59	1.5	0.06	1.69
FTRE-2.25-HT	2.250	1.63	0.875	2.00	1.187	0.980	0.030	7/8 - 14	1.02	5/16	2.94	0.59	1.5	0.06	1.69
FTRE-2.50-HT	2.500	1.63	1.000	2.25	1.375	1.105	0.030	1 - 14	1.15	3/8	3.19	0.59	1.7	0.06	1.69
FTRE-2.75-HT	2.750	1.63	1.000	2.25	1.375	1.105	0.030	1 - 14	1.15	3/8	3.44	0.59	1.7	0.06	1.69
FTRE-3.00A-HT	3.000	1.94	1.250	2.50	1.750	1.230	0.060	1 1/4 - 12	1.27	1/2	3.94	0.59	2.2	0.06	2.00
FTRE-3.25A-HT	3.250	1.94	1.250	2.50	1.750	1.230	0.060	1 1/4 - 12	1.27	1/2	4.19	0.59	2.2	0.06	2.00
FTRE-3.50A-HT	3.500	1.94	1.250	2.75	1.812	1.355	0.060	1 1/4 - 12	1.40	1/2	4.44	0.59	2.2	0.06	2.00
FTRE-4.00A-HT	4.000	1.94	1.250	2.75	1.812	1.355	0.060	1 1/4 - 12	1.40	1/2	4.94	0.59	2.2	0.06	2.00

# FTRE-HT Series Track Roller Assembly

Flanged – Stud Type Eccentric  
High Temperature 350° F - Ball Bearings



## ADDITIONAL NOTES

\*For lubricated threads, use half the maximum clamping torque value shown.

DGGB-SS: Deep Groove Ball Bearings – 440C Stainless Steel

FEATURING ∞ INFINITY ROLLER™ TECHNOLOGY

Jam Nut & Lock Washer sets are available at an additional cost.

For regreasable provisions, add a “-R” to the end of the part number. (See “-R” page for specifications)

Specifications subject to change without notice.

Ask about the 660° F Solution -XHT.

Stud Type Track Roller Part Number	Basic Radial Dynamic Load Rating (lbs) C	Basic Radial Static Load Rating (lbs) Co	Thrust Dynamic Load Rating (lbs)	Thrust Static Load Rating (lbs)	Stud Capacity (lbs)	Retaining Ring Capacity (lbs)	Max. Clamping Torque (in-lbs)*	Maximum Temp. Continuous	Seal Type	Bearing Type	Approx. Roller Weight (lbs)
FTRE-1.00-HT	786	467	282	58	380	390	250	350°F	Fluorocarbon Lip	DGGB-SS	0.22
FTRE-1.125-HT	786	467	282	58	380	390	250	350°F	Fluorocarbon Lip	DGGB-SS	0.27
FTRE-1.25-HT	852	605	317	76	710	470	250	350°F	Fluorocarbon Lip	DGGB-SS	0.34
FTRE-1.375-HT	852	605	317	76	710	470	250	350°F	Fluorocarbon Lip	DGGB-SS	0.41
FTRE-1.50-HT	1,688	1,321	809	330	1,220	550	650	350°F	Fluorocarbon Lip	DGGB-SS	0.76
FTRE-1.75-HT	1,688	1,321	809	330	1,220	550	650	350°F	Fluorocarbon Lip	DGGB-SS	1.08
FTRE-2.00-HT	2,611	2,064	1,257	516	2,840	900	650	350°F	Fluorocarbon Lip	DGGB-SS	1.96
FTRE-2.25-HT	2,611	2,064	1,257	516	3,490	900	650	350°F	Fluorocarbon Lip	DGGB-SS	2.37
FTRE-2.50-HT	3,828	3,398	1,936	849	6,280	1,340	650	350°F	Fluorocarbon Lip	DGGB-SS	2.87
FTRE-2.75-HT	3,828	3,398	1,936	849	6,540	1,340	650	350°F	Fluorocarbon Lip	DGGB-SS	3.38
FTRE-3.00A-HT	7,102	5,081	3,287	1,270	10,800	1,950	1,500	350°F	Fluorocarbon Lip	DGGB-SS	5.15
FTRE-3.25A-HT	7,102	5,081	3,287	1,270	10,800	1,950	1,500	350°F	Fluorocarbon Lip	DGGB-SS	5.85
FTRE-3.50A-HT	7,102	5,081	3,287	1,270	10,800	1,950	1,500	350°F	Fluorocarbon Lip	DGGB-SS	6.81
FTRE-4.00A-HT	7,102	5,081	3,287	1,270	10,800	1,950	1,500	350°F	Fluorocarbon Lip	DGGB-SS	8.48

# FTRY-HT Series Track Roller Assembly

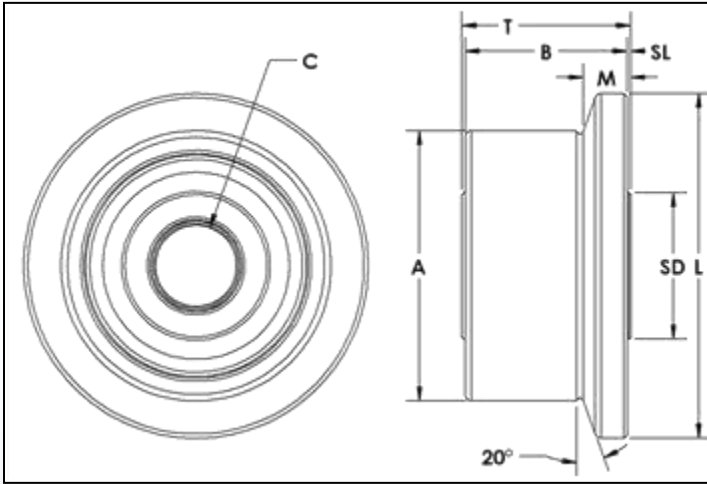
Flanged – Yoke Type

High Temperature 350° F - Ball Bearings



(989)358-6148

www.pcimfg.com



FEATURING  
∞ INFINITY ROLLER™  
TECHNOLOGY

Yoke Type Track Roller Part Number	A	B	C	L	M	SD	SL	T
	Roller Dia. +.000 -.001	Roller Width	Bore Dia. +.0007 -.0000	Flange Dia	Flange Width	Shoulder Dia.	Shoulder Length	Inner Race Width +.005 -.010
FTRY-1.50-HT	1.500	0.88	0.4380	2.19	0.22	0.9	0.03	0.937
FTRY-1.75-HT	1.750	1.00	0.5005	2.44	0.25	0.9	0.03	1.063
FTRY-2.00-HT	2.000	1.25	0.6255	2.69	0.31	1.1	0.03	1.313
FTRY-2.25-HT	2.250	1.25	0.6255	2.94	0.31	1.1	0.03	1.313
FTRY-2.50-HT	2.500	1.50	0.7505	3.19	0.50	1.2	0.03	1.563
FTRY-2.75-HT	2.750	1.50	0.7505	3.44	0.50	1.2	0.03	1.563
FTRY-3.00A-HT	3.000	1.75	1.0005	3.94	0.59	1.8	0.03	1.813
FTRY-3.25A-HT	3.250	1.75	1.0005	4.19	0.59	1.8	0.03	1.813
FTRY-3.50A-HT	3.500	2.00	1.1255	4.44	0.59	2.0	0.03	2.063
FTRY-4.00A-HT	4.000	2.25	1.2505	4.94	0.59	2.0	0.03	2.313

Optional PCI Yoke Shaft	Optional PCI Eccentric Yoke Shaft
YSH-.437	YSHE-.437
YSH-.500	YSHE-.500
YSH-.625	YSHE-.625
YSH-.625	YSHE-.625
YSH-.750	YSHE-.750
YSH-.750	YSHE-.750
YSH-1.000	YSHE-1.000
YSH-1.000	YSHE-1.000
YSH-1.125	YSHE-1.125
YSH-1.250	YSHE-1.250

# FTRY-HT Series Track Roller Assembly

Flanged – Yoke Type

High Temperature 350° F - Ball Bearings



(989)358-6148

www.pcimfg.com



## ADDITIONAL NOTES

DGBB-SS: Deep Groove Ball Bearings – 440C Stainless Steel

FEATURING ∞ INFINITY ROLLER™ TECHNOLOGY

PCI Heavy Duty Yoke Shafts are available at an additional cost. See YSH page for details.

For regreasable provisions, add a “-R” to the end of the part number. (See “FTRY-R” page for specifications)

Specifications subject to change without notice.

Ask about the 660° F Solution -XHT.

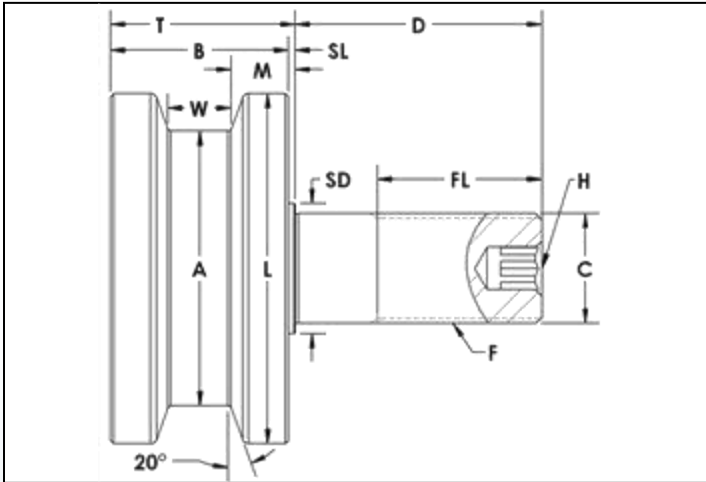
Yoke Type Track Roller Part Number	Basic Radial Dynamic Load Rating (lbs) C	Basic Radial Static Load Rating (lbs) Co	Thrust Dynamic Load Rating (lbs)	Thrust Static Load Rating (lbs)	Maximum Temp. Continuous	Seal Type	Bearing Type	Approx. Roller Weight (lbs)
FTRY-1.50-HT	1,276	1,114	641	278	350°F	Fluorocarbon Lip	DGBB-SS	0.37
FTRY-1.75-HT	1,276	1,114	641	278	350°F	Fluorocarbon Lip	DGBB-SS	0.59
FTRY-2.00-HT	2,565	2,168	1,270	542	350°F	Fluorocarbon Lip	DGBB-SS	1.07
FTRY-2.25-HT	2,565	2,168	1,270	542	350°F	Fluorocarbon Lip	DGBB-SS	1.40
FTRY-2.50-HT	3,828	3,398	1,936	849	350°F	Fluorocarbon Lip	DGBB-SS	1.84
FTRY-2.75-HT	3,828	3,398	1,936	849	350°F	Fluorocarbon Lip	DGBB-SS	2.37
FTRY-3.00A-HT	5,827	4,631	2,812	1,158	350°F	Fluorocarbon Lip	DGBB-SS	3.16
FTRY-3.25A-HT	5,827	4,631	2,812	1,158	350°F	Fluorocarbon Lip	DGBB-SS	3.83
FTRY-3.50A-HT	6,118	5,171	3,030	1,293	350°F	Fluorocarbon Lip	DGBB-SS	4.80
FTRY-4.00A-HT	6,118	5,171	3,030	1,293	350°F	Fluorocarbon Lip	DGBB-SS	7.05

# FFTR-HT Series Track Roller Assembly

Double Flanged – Stud Type Concentric  
High Temperature 350° F - Ball Bearings



(989)358-6148  
www.pcimfg.com



FEATURING  
∞ INFINITY ROLLER™  
TECHNOLOGY

Stud Type Track Roller Part Number	A	B	C	D	F	FL	H	L	M	SD	SL	T	W
	Roller Dia.	Roller Width	Stud Dia. +.000 -.001	Stud Length	Thread Size	Thread Length	Hex Size	Flange Dia	Flange Width	Shoulder Dia.	Shoulder Length	Roller Width + Shoulder Length	Tread Width
FFTR-1.00-HT	1.00	0.75	0.437	1.00	7/16 - 20	0.50	3/16	1.38	0.22	0.5	0.03	0.78	0.37
FFTR-1.125-HT	1.13	0.75	0.437	1.00	7/16 - 20	0.50	3/16	1.50	0.22	0.5	0.03	0.78	0.37
FFTR-1.25-HT	1.25	0.81	0.500	1.25	1/2 - 20	0.63	3/16	1.56	0.22	0.6	0.03	0.84	0.43
FFTR-1.375-HT	1.38	0.81	0.500	1.25	1/2 - 20	0.63	3/16	1.69	0.22	0.6	0.03	0.84	0.43
FFTR-1.50-HT	1.50	1.13	0.625	1.50	5/8 - 18	0.75	5/16	2.19	0.34	0.8	0.06	1.19	0.57
FFTR-1.75-HT	1.75	1.13	0.750	1.75	3/4 - 16	0.88	5/16	2.44	0.34	0.9	0.06	1.19	0.57
FFTR-2.00-HT	2.00	1.63	0.875	2.00	7/8 - 14	1.13	5/16	2.69	0.59	1.0	0.06	1.69	0.57
FFTR-2.25-HT	2.25	1.63	0.875	2.00	7/8 - 14	1.13	5/16	2.94	0.59	1.0	0.06	1.69	0.57
FFTR-2.50-HT	2.50	1.63	1.000	2.25	1 - 14	1.50	3/8	3.19	0.59	1.2	0.06	1.69	0.57
FFTR-2.75-HT	2.75	1.63	1.000	2.25	1 - 14	1.50	3/8	3.44	0.59	1.2	0.06	1.69	0.57
FFTR-3.00A-HT	3.00	1.94	1.250	2.50	1 1/4 - 12	1.75	1/2	3.94	0.59	1.5	0.06	2.00	0.88
FFTR-3.25A-HT	3.25	1.94	1.250	2.50	1 1/4 - 12	1.75	1/2	4.19	0.59	1.5	0.06	2.00	0.88
FFTR-3.50A-HT	3.50	1.94	1.250	2.75	1 1/4 - 12	1.75	1/2	4.44	0.59	1.5	0.06	2.00	0.88
FFTR-4.00A-HT	4.00	1.94	1.250	2.75	1 1/4 - 12	1.75	1/2	4.94	0.59	1.5	0.06	2.00	0.88

# FFTR-HT Series Track Roller Assembly

Double Flanged – Stud Type Concentric  
High Temperature 350° F - Ball Bearings



(989)358-6148  
www.pcimfg.com



## ADDITIONAL NOTES

\*For lubricated threads, use half the maximum clamping torque value shown.

DGBB-SS: Deep Groove Ball Bearings – 440C Stainless Steel

FEATURING ∞ INFINITY ROLLER™ TECHNOLOGY

Jam Nut & Lock Washer sets are available at an additional cost.

For regreasable provisions, add a “-R” to the end of the part number. (See “-R” page for specifications)

Specifications subject to change without notice.

Ask about the 660° F Solution -XHT.

Stud Type Track Roller Part Number	Basic Radial Dynamic Load Rating (lbs) C	Basic Radial Static Load Rating (lbs) Co	Thrust Dynamic Load Rating (lbs)	Thrust Static Load Rating (lbs)	Stud Capacity (lbs)	Retaining Ring Capacity (lbs)	Max. Clamping Torque (in-lbs)*	Maximum Temp. Continuous	Seal Type	Bearing Type	Approx. Roller Weight (lbs)
FFTR-1.00-HT	786	467	282	58	380	390	180	350°F	Fluorocarbon Lip	DGBB-SS	0.23
FFTR-1.125-HT	786	467	282	58	380	390	180	350°F	Fluorocarbon Lip	DGBB-SS	0.28
FFTR-1.25-HT	852	605	317	76	700	470	180	350°F	Fluorocarbon Lip	DGBB-SS	0.34
FFTR-1.375-HT	852	605	317	76	700	470	180	350°F	Fluorocarbon Lip	DGBB-SS	0.41
FFTR-1.50-HT	1,688	1,321	809	330	1,210	550	350	350°F	Fluorocarbon Lip	DGBB-SS	0.81
FFTR-1.75-HT	1,688	1,321	809	330	1,210	550	650	350°F	Fluorocarbon Lip	DGBB-SS	1.14
FFTR-2.00-HT	2,611	2,064	1,257	516	2,840	900	650	350°F	Fluorocarbon Lip	DGBB-SS	2.15
FFTR-2.25-HT	2,611	2,064	1,257	516	2,840	900	650	350°F	Fluorocarbon Lip	DGBB-SS	2.61
FFTR-2.50-HT	3,828	3,398	1,936	849	6,280	1,340	650	350°F	Fluorocarbon Lip	DGBB-SS	3.16
FFTR-2.75-HT	3,828	3,398	1,936	849	6,540	1,340	650	350°F	Fluorocarbon Lip	DGBB-SS	3.72
FFTR-3.00A-HT	7,102	5,081	3,287	1,270	10,800	1,950	1,500	350°F	Fluorocarbon Lip	DGBB-SS	5.25
FFTR-3.25A-HT	7,102	5,081	3,287	1,270	10,800	1,950	1,500	350°F	Fluorocarbon Lip	DGBB-SS	5.89
FFTR-3.50A-HT	7,102	5,081	3,287	1,270	10,800	1,950	1,500	350°F	Fluorocarbon Lip	DGBB-SS	6.78
FFTR-4.00A-HT	7,102	5,081	3,287	1,270	10,800	1,950	1,500	350°F	Fluorocarbon Lip	DGBB-SS	8.55

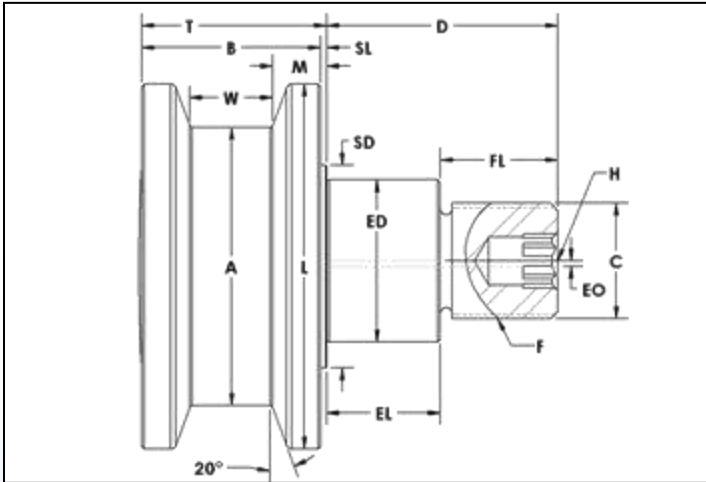


# FFTRE-HT Series Track Roller Assembly

Double Flanged – Stud Type Eccentric  
High Temperature 350° F - Ball Bearings



(989)358-6148  
www.pcimfg.com



FEATURING  
∞ INFINITY ROLLER™  
TECHNOLOGY

Stud Type Track Roller Part Number	A	B	C	D	ED	EL	EO	F	FL	H	L	M	SD	SL	T	W
	Roller Dia.	Roller Width	Stud Dia.	Stud Length	Ecc Dia +.000 -.002	Ecc Length	Ecc Offset	Thread Size	Thread Length	Hex Size	Flange Dia	Flange Width	Shld Dia.	Shld Length	Roller Width + Shoulder Length	Tread Width
FFTRE-1.00-HT	1.00	0.75	0.437	1.00	0.625	0.48	0.03	7/16 - 20	0.52	3/16	1.38	0.22	0.7	0.03	0.78	0.37
FFTRE-1.125-HT	1.13	0.75	0.437	1.00	0.625	0.48	0.03	7/16 - 20	0.52	3/16	1.50	0.22	0.7	0.03	0.78	0.37
FFTRE-1.25-HT	1.25	0.81	0.500	1.25	0.687	0.61	0.03	1/2 - 20	0.65	3/16	1.56	0.22	0.8	0.03	0.84	0.43
FFTRE-1.375-HT	1.38	0.81	0.500	1.25	0.687	0.61	0.03	1/2 - 20	0.65	3/16	1.69	0.22	0.8	0.03	0.84	0.43
FFTRE-1.50-HT	1.50	1.13	0.625	1.50	0.875	0.73	0.03	5/8 - 18	0.77	5/16	2.19	0.34	1.1	0.06	1.19	0.57
FFTRE-1.75-HT	1.75	1.13	0.750	1.75	1.000	0.86	0.03	3/4 - 16	0.90	5/16	2.44	0.34	1.3	0.06	1.19	0.57
FFTRE-2.00-HT	2.00	1.63	0.875	2.00	1.187	0.98	0.03	7/8 - 14	1.02	5/16	2.69	0.59	1.5	0.06	1.69	0.57
FFTRE-2.25-HT	2.25	1.63	0.875	2.00	1.187	0.98	0.03	7/8 - 14	1.02	5/16	2.94	0.59	1.5	0.06	1.69	0.57
FFTRE-2.50-HT	2.50	1.63	1.000	2.25	1.375	1.11	0.03	1 - 14	1.15	3/8	3.19	0.59	1.7	0.06	1.69	0.57
FFTRE-2.75-HT	2.75	1.63	1.000	2.25	1.375	1.11	0.03	1 - 14	1.15	3/8	3.44	0.59	1.7	0.06	1.69	0.57
FFTRE-3.00A-HT	3.00	1.94	1.250	2.50	1.750	1.23	0.06	1 1/4 - 12	1.27	1/2	3.94	0.59	2.2	0.06	2.00	0.88
FFTRE-3.25A-HT	3.25	1.94	1.250	2.50	1.750	1.23	0.06	1 1/4 - 12	1.27	1/2	4.19	0.59	2.2	0.06	2.00	0.88
FFTRE-3.50A-HT	3.50	1.94	1.250	2.75	1.812	1.36	0.06	1 1/4 - 12	1.40	1/2	4.44	0.59	2.2	0.06	2.00	0.88
FFTRE-4.00A-HT	4.00	1.94	1.250	2.75	1.812	1.36	0.06	1 1/4 - 12	1.40	1/2	4.94	0.59	2.2	0.06	2.00	0.88

# FFTRE-HT Series Track Roller Assembly

Double Flanged – Stud Type Eccentric  
High Temperature 350° F - Ball Bearings



(989)358-6148  
www.pcimfg.com



## ADDITIONAL NOTES

\*For lubricated threads, use half the maximum clamping torque value shown.

DGGB-SS: Deep Groove Ball Bearings – 440C Stainless Steel

FEATURING ∞ INFINITY ROLLER™ TECHNOLOGY

Jam Nut & Lock Washer sets are available at an additional cost.

For regreasable provisions, add a “-R” to the end of the part number. (See “-R” page for specifications)

Specifications subject to change without notice.

Ask about the 660° F Solution -XHT.

Stud Type Track Roller Part Number	Basic Radial Dynamic Load Rating (lbs) C	Basic Radial Static Load Rating (lbs) Co	Thrust Dynamic Load Rating (lbs)	Thrust Static Load Rating (lbs)	Stud Capacity (lbs)	Retaining Ring Capacity (lbs)	Max. Clamping Torque (in-lbs)*	Maximum Temp. Continuous	Seal Type	Bearing Type	Approx. Roller Weight (lbs)
FFTRE-1.00-HT	786	467	282	58	380	390	250	350°F	Fluorocarbon Lip	DGGB-SS	0.25
FFTRE-1.125-HT	786	467	282	58	380	390	250	350°F	Fluorocarbon Lip	DGGB-SS	0.31
FFTRE-1.25-HT	852	605	317	76	710	470	250	350°F	Fluorocarbon Lip	DGGB-SS	0.36
FFTRE-1.375-HT	852	605	317	76	710	470	250	350°F	Fluorocarbon Lip	DGGB-SS	0.45
FFTRE-1.50-HT	1,688	1,321	809	330	1,220	550	650	350°F	Fluorocarbon Lip	DGGB-SS	0.91
FFTRE-1.75-HT	1,688	1,321	809	330	1,220	550	650	350°F	Fluorocarbon Lip	DGGB-SS	1.25
FFTRE-2.00-HT	2,611	2,064	1,257	516	2,840	900	650	350°F	Fluorocarbon Lip	DGGB-SS	2.29
FFTRE-2.25-HT	2,611	2,064	1,257	516	2,840	900	650	350°F	Fluorocarbon Lip	DGGB-SS	2.80
FFTRE-2.50-HT	3,828	3,398	1,936	849	6,280	1,340	650	350°F	Fluorocarbon Lip	DGGB-SS	3.48
FFTRE-2.75-HT	3,828	3,398	1,936	849	6,540	1,340	650	350°F	Fluorocarbon Lip	DGGB-SS	3.98
FFTRE-3.00A-HT	7,102	5,081	3,287	1,270	10,800	1,950	1,500	350°F	Fluorocarbon Lip	DGGB-SS	5.77
FFTRE-3.25A-HT	7,102	5,081	3,287	1,270	10,800	1,950	1,500	350°F	Fluorocarbon Lip	DGGB-SS	6.40
FFTRE-3.50A-HT	7,102	5,081	3,287	1,270	10,800	1,950	1,500	350°F	Fluorocarbon Lip	DGGB-SS	7.57
FFTRE-4.00A-HT	7,102	5,081	3,287	1,270	10,800	1,950	1,500	350°F	Fluorocarbon Lip	DGGB-SS	9.11

# FFTRY-HT Series Track Roller Assembly

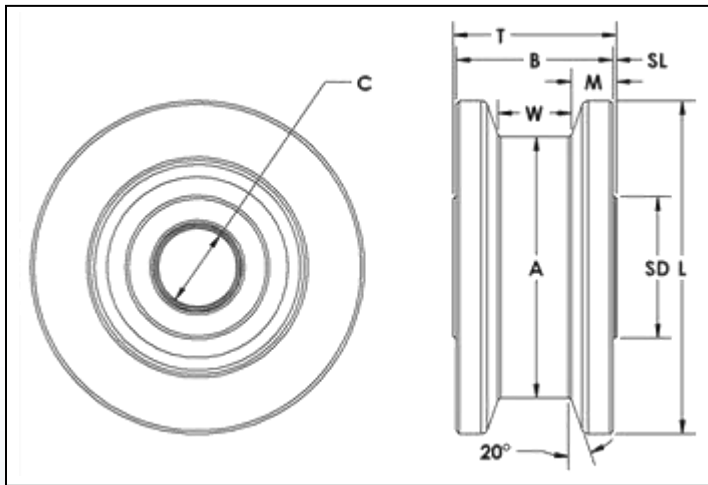
Double Flanged – Yoke Type

High Temperature 350° F - Ball Bearings



(989)358-6148

www.pcimfg.com



FEATURING  
∞ INFINITY ROLLER™  
TECHNOLOGY

Yoke Type Track Roller Part Number	A	B	C	L	M	SD	SL	T	W
	Roller Dia.	Roller Width	Bore Dia. +.0007 -.0000	Flange Dia	Flange Width	Shoulder Dia.	Shoulder Length	Inner Race Width +.005 -.010	Tread Width
FFTRY-1.50-HT	1.50	0.88	0.4380	2.19	0.22	0.9	0.03	0.937	0.50
FFTRY-1.75-HT	1.75	1.00	0.5005	2.44	0.25	0.9	0.03	1.063	0.56
FFTRY-2.00-HT	2.00	1.25	0.6255	2.69	0.31	1.1	0.03	1.313	0.69
FFTRY-2.25-HT	2.25	1.25	0.6255	2.94	0.31	1.1	0.03	1.313	0.69
FFTRY-2.50-HT	2.50	1.50	0.7505	3.19	0.50	1.2	0.03	1.563	0.56
FFTRY-2.75-HT	2.75	1.50	0.7505	3.44	0.50	1.2	0.03	1.563	0.56
FFTRY-3.00A-HT	3.00	1.75	1.0005	3.94	0.59	1.8	0.03	1.813	0.63
FFTRY-3.25A-HT	3.25	1.75	1.0005	4.19	0.59	1.8	0.03	1.813	0.63
FFTRY-3.50A-HT	3.50	2.00	1.1255	4.44	0.59	2.0	0.03	2.063	0.88
FFTRY-4.00A-HT	4.00	2.25	1.2505	4.94	0.59	2.0	0.03	2.313	1.13

Optional PCI Yoke Shaft	Optional PCI Eccentric Yoke Shaft
YSH-.437	YSHE-.437
YSH-.500	YSHE-.500
YSH-.625	YSHE-.625
YSH-.625	YSHE-.625
YSH-.750	YSHE-.750
YSH-.750	YSHE-.750
YSH-1.000	YSHE-1.000
YSH-1.000	YSHE-1.000
YSH-1.125	YSHE-1.125
YSH-1.250	YSHE-1.250

# FFTRY-HT Series Track Roller Assembly

Double Flanged – Yoke Type

High Temperature 350° F - Ball Bearings



(989)358-6148

www.pcimfg.com



## ADDITIONAL NOTES

DGBB-SS: Deep Groove Ball Bearings – 440C Stainless Steel

FEATURING ∞ INFINITY ROLLER™ TECHNOLOGY

PCI Heavy Duty Yoke Shafts are available at an additional cost. See YSH page for details.

For regreasable provisions, add a “-R” to the end of the part number. (See “FFTRY-R” page for specifications)

Specifications subject to change without notice.

Ask about the 660° F Solution -XHT.

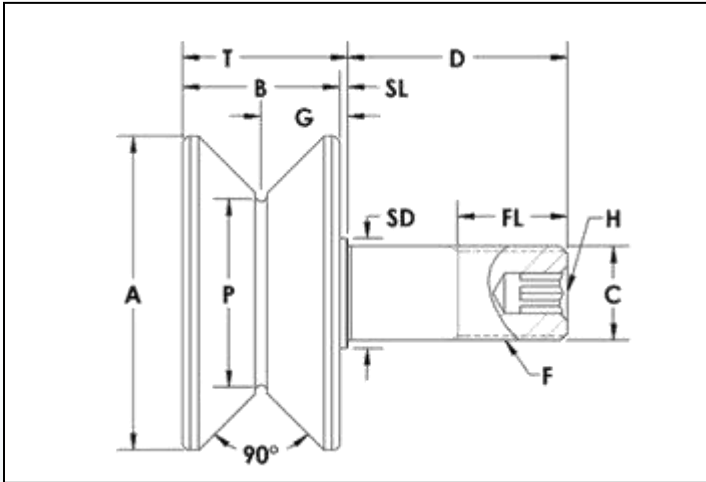
Yoke Type Track Roller Part Number	Basic Radial Dynamic Load Rating (lbs) C	Basic Radial Static Load Rating (lbs) Co	Thrust Dynamic Load Rating (lbs)	Thrust Static Load Rating (lbs)	Maximum Temp. Continuous	Seal Type	Bearing Type	Approx. Roller Weight (lbs)
FFTRY-1.50-HT	1,276	1,114	641	278	350°F	Fluorocarbon Lip	DGBB-SS	0.45
FFTRY-1.75-HT	1,276	1,114	641	278	350°F	Fluorocarbon Lip	DGBB-SS	0.71
FFTRY-2.00-HT	2,565	2,168	1,270	542	350°F	Fluorocarbon Lip	DGBB-SS	1.32
FFTRY-2.25-HT	2,565	2,168	1,270	542	350°F	Fluorocarbon Lip	DGBB-SS	1.67
FFTRY-2.50-HT	3,828	3,398	1,936	849	350°F	Fluorocarbon Lip	DGBB-SS	2.19
FFTRY-2.75-HT	3,828	3,398	1,936	849	350°F	Fluorocarbon Lip	DGBB-SS	2.69
FFTRY-3.00A-HT	5,827	4,631	2,812	1,158	350°F	Fluorocarbon Lip	DGBB-SS	3.86
FFTRY-3.25A-HT	5,827	4,631	2,812	1,158	350°F	Fluorocarbon Lip	DGBB-SS	4.44
FFTRY-3.50A-HT	6,118	5,171	3,030	1,293	350°F	Fluorocarbon Lip	DGBB-SS	5.43
FFTRY-4.00A-HT	6,118	5,171	3,030	1,293	350°F	Fluorocarbon Lip	DGBB-SS	8.16

# VTR-HT Series Track Roller Assembly

V-Grooved – Stud Type Concentric  
High Temperature 350°F - Ball Bearings



(989)358-6148  
www.pcimfg.com



FEATURING  
∞ INFINITY ROLLER™  
TECHNOLOGY

Stud Type Track Roller Part Number	A	B	C	D	F	FL	G	H	P	SD	SL	T
	Roller Dia.	Roller Width	Stud Dia. +.000 -.001	Stud Length	Thread Size	Thread Length	Groove Center	Hex Size	Point Dia. +.000 -.001	Shoulder Dia.	Shoulder Length	Roller Width + Shoulder Length
VTR-1.50-HT	1.50	0.75	0.437	1.00	7/16 - 20	0.50	0.39	3/16	1.125	0.5	0.03	0.78
VTR-2.00-HT	2.00	0.81	0.500	1.25	1/2 - 20	0.63	0.42	3/16	1.375	0.6	0.03	0.84
VTR-2.50-HT	2.50	1.25	0.750	1.75	3/4 - 16	0.88	0.69	5/16	1.500	0.9	0.06	1.31
VTR-3.50-HT	3.50	1.63	0.875	2.00	7/8 - 14	1.13	0.88	5/16	2.250	1.0	0.06	1.69
VTR-4.50A-HT	4.50	1.94	1.250	2.50	1 1/4 - 12	1.75	1.00	1/2	3.000	1.5	0.06	2.00
VTR-5.50A-HT	5.50	1.94	1.250	2.75	1 1/4 - 12	1.75	1.00	1/2	4.000	1.5	0.06	2.00

Ask about dual direction Crowned V-groove Track Rollers with R<sup>3</sup>™ Technology (CVTR).

# VTR-HT Series Track Roller Assembly

V-Grooved – Stud Type Concentric  
High Temperature 350°F - Ball Bearings



## ADDITIONAL NOTES

\*For lubricated threads, use half the maximum clamping torque value shown.

DGGB-SS: Deep Groove Ball Bearings – 440C Stainless Steel

FEATURING ∞ INFINITY ROLLER™ TECHNOLOGY

Jam Nut & Lock Washer sets are available at an additional cost.

For regreasable provisions, add a “-R” to the end of the part number. (See “-R” page for specifications)

Specifications subject to change without notice.

Ask about the 660° F Solution -XHT.

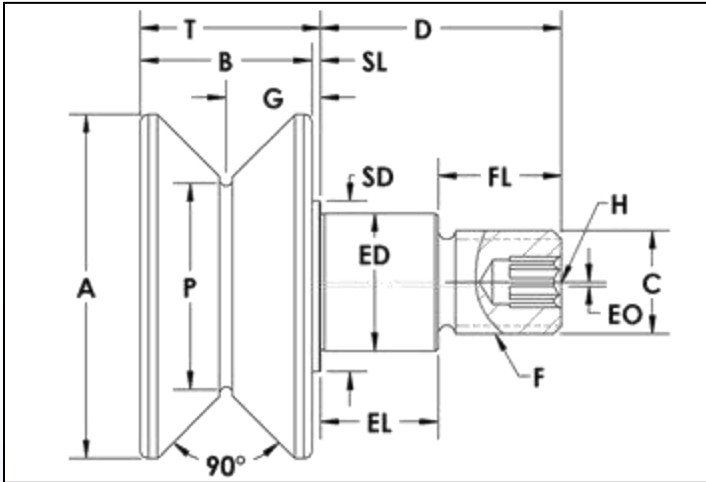
Stud Type Track Roller Part Number	Basic Radial Dynamic Load Rating (lbs) C	Basic Radial Static Load Rating (lbs) Co	Thrust Dynamic Load Rating (lbs)	Thrust Static Load Rating (lbs)	Stud Capacity (lbs)	Retaining Ring Capacity (lbs)	Max. Clamping Torque (in-lbs)*	Maximum Temp. Continuous	Seal Type	Bearing Type	Approx. Roller Weight (lbs)
VTR-1.50-HT	786	467	282	58	530	390	180	350°F	Fluorocarbon Lip	DGGB-SS	0.33
VTR-2.00-HT	852	605	317	76	930	470	180	350°F	Fluorocarbon Lip	DGGB-SS	0.56
VTR-2.50-HT	1,688	1,321	809	330	1,670	550	650	350°F	Fluorocarbon Lip	DGGB-SS	1.31
VTR-3.50-HT	2,611	2,064	1,257	516	4,460	900	650	350°F	Fluorocarbon Lip	DGGB-SS	3.44
VTR-4.50A-HT	7,102	5,081	3,287	1,270	13,980	1,950	1,500	350°F	Fluorocarbon Lip	DGGB-SS	6.85
VTR-5.50A-HT	7,102	5,081	3,287	1,270	13,980	1,950	1,500	350°F	Fluorocarbon Lip	DGGB-SS	10.82

# VTRE-HT Series Track Roller Assembly

V-Grooved – Stud Type Eccentric  
High Temperature 350° F - Ball Bearings



(989)358-6148  
www.pcimfg.com



FEATURING  
∞ INFINITY ROLLER™  
TECHNOLOGY

Stud Type Track Roller Part Number	A	B	C	D	ED	EL	EO	F	FL	G	H	P	SD	SL	T
	Roller Dia.	Roller Width	Stud Dia. +.000 -.001	Stud Length	Ecc Dia +.000 -.002	Ecc Length	Ecc Offset	Thread Size	Thread Length	Groove Center	Hex Size	Point Dia. +.000 -.001	Shoulder Dia.	Shoulder Length	Roller Width + Shoulder Length
VTRE-1.50-HT	1.50	0.75	0.437	1.00	0.625	0.48	0.03	7/16 - 20	0.50	0.39	3/16	1.125	0.7	0.03	0.78
VTRE-2.00-HT	2.00	0.81	0.500	1.25	0.687	0.61	0.03	1/2 - 20	0.63	0.42	3/16	1.375	0.8	0.03	0.84
VTRE-2.50-HT	2.50	1.25	0.750	1.75	1.000	0.86	0.03	3/4 - 16	0.88	0.69	5/16	1.500	1.3	0.06	1.31
VTRE-3.50-HT	3.50	1.63	0.875	2.00	1.187	0.98	0.03	7/8 - 14	1.13	0.88	5/16	2.250	1.5	0.06	1.69
VTRE-4.50A-HT	4.50	1.94	1.250	2.50	1.750	1.23	0.06	1 1/4 - 12	1.75	1.00	1/2	3.000	2.2	0.06	2.00
VTRE-5.50A-HT	5.50	1.94	1.250	2.75	1.812	1.36	0.06	1 1/4 - 12	1.75	1.00	1/2	4.000	2.2	0.06	2.00

Ask about dual direction Crowned V-groove Track Rollers with R3™ Technology (CVTR).

# VTRE-HT Series Track Roller Assembly

V-Grooved – Stud Type Eccentric  
High Temperature 350° F - Ball Bearings



## ADDITIONAL NOTES

\*For lubricated threads, use half the maximum clamping torque value shown.

DGBB-SS: Deep Groove Ball Bearings – 440C Stainless Steel

FEATURING ∞ INFINITY ROLLER™ TECHNOLOGY

Jam Nut & Lock Washer sets are available at an additional cost.

For regreasable provisions, add a “-R” to the end of the part number. (See “-R” page for specifications)

Specifications subject to change without notice.

Ask about the 660° F Solution -XHT.

Stud Type Track Roller Part Number	Basic Radial Dynamic Load Rating (lbs) C	Basic Radial Static Load Rating (lbs) Co	Thrust Dynamic Load Rating (lbs)	Thrust Static Load Rating (lbs)	Stud Capacity (lbs)	Retaining Ring Capacity (lbs)	Max. Clamping Torque (in-lbs)*	Maximum Temp. Continuous	Seal Type	Bearing Type	Approx. Roller Weight (lbs)
VTRE-1.50-HT	786	467	282	58	530	390	250	350°F	Fluorocarbon Lip	DGBB-SS	0.36
VTRE-2.00-HT	852	605	317	76	930	470	180	350°F	Fluorocarbon Lip	DGBB-SS	0.59
VTRE-2.50-HT	1,688	1,321	809	330	1,680	550	650	350°F	Fluorocarbon Lip	DGBB-SS	1.38
VTRE-3.50-HT	2,611	2,064	1,257	516	5,680	900	650	350°F	Fluorocarbon Lip	DGBB-SS	3.49
VTRE-4.50A-HT	7,102	5,081	3,287	1,270	13,980	1,950	1,500	350°F	Fluorocarbon Lip	DGBB-SS	7.31
VTRE-5.50A-HT	7,102	5,081	3,287	1,270	13,980	1,950	1,500	350°F	Fluorocarbon Lip	DGBB-SS	11.24



# VTRY-HT Series Track Roller Assembly

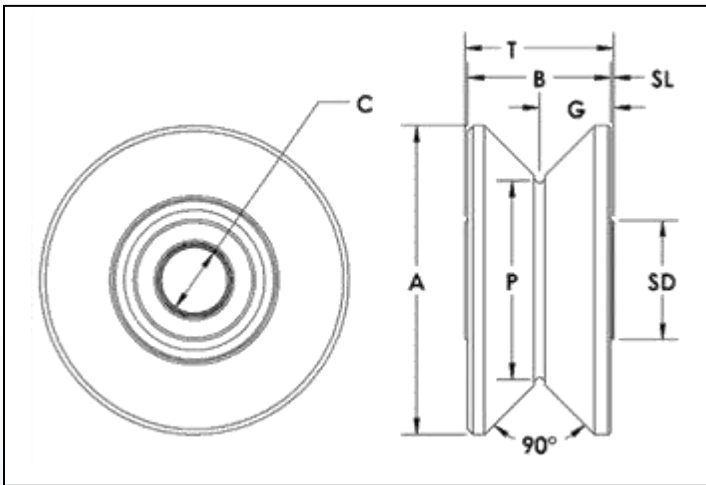
V-Grooved – Yoke Type

High Temperature 350° F - Ball Bearings



(989)358-6148

www.pcimfg.com



FEATURING  
∞ INFINITY ROLLER™  
TECHNOLOGY

Yoke Type Track Roller Part Number	A	B	C	G	P	SD	SL	T
	Roller Dia.	Roller Width	Bore Dia. +.0007 -.0000	Groove Center	Point Dia. +.000 -.001	Shoulder Dia.	Shoulder Length	Inner Race Width +.005 -.010
VTRY-2.50-9-HT	2.50	0.880	0.4380	0.47	1.750	0.9	0.03	0.937
VTRY-2.50-HT	2.50	1.250	0.6255	0.66	2.000	1.1	0.03	1.313
VTRY-3.00-HT	3.00	1.250	0.6255	0.66	2.060	1.1	0.03	1.313
VTRY-3.50-HT	3.50	1.500	0.7505	0.78	2.250	1.2	0.03	1.563
VTRY-3.50-9-HT	3.50	1.625	0.7505	0.84	2.250	1.2	0.03	1.687
VTRY-3.75A-HT	3.75	1.500	0.7505	0.78	2.500	1.2	0.03	1.563
VTRY-4.50A-HT	4.50	1.750	1.0005	0.91	3.000	1.8	0.03	1.813
VTRY-5.00A-HT	5.00	2.000	1.1255	1.03	3.500	2.0	0.03	2.063
VTRY-5.50A-HT	5.50	2.250	1.2505	1.16	4.000	2.0	0.03	2.313

Optional PCI Yoke Shaft	Optional PCI Eccentric Yoke Shaft
YSH-.437	YSHE-.437
YSH-.625	YSHE-.625
YSH-.625	YSHE-.625
YSH-.750	YSHE-.750
YSH-.750	YSHE-.750
YSH-.750	YSHE-.750
YSH-1.000	YSHE-1.000
YSH-1.125	YSHE-1.125
YSH-1.250	YSHE-1.250

Ask about dual direction Crowned V-groove Track Rollers with R<sup>3</sup>™ Technology (CVTR).

# VTRY-HT Series Track Roller Assembly

V-Grooved – Yoke Type

High Temperature 350° F - Ball Bearings



(989)358-6148

www.pcimfg.com



## ADDITIONAL NOTES

DGBB-SS: Deep Groove Ball Bearings – 440C Stainless Steel

FEATURING ∞ INFINITY ROLLER™ TECHNOLOGY

PCI Heavy Duty Yoke Shafts are available at an additional cost. See YSH page for details.

For regreasable provisions, add a “-R” to the end of the part number. (See “VTRY-R” page for specifications)

Specifications subject to change without notice.

Ask about the 660° F Solution -XHT.

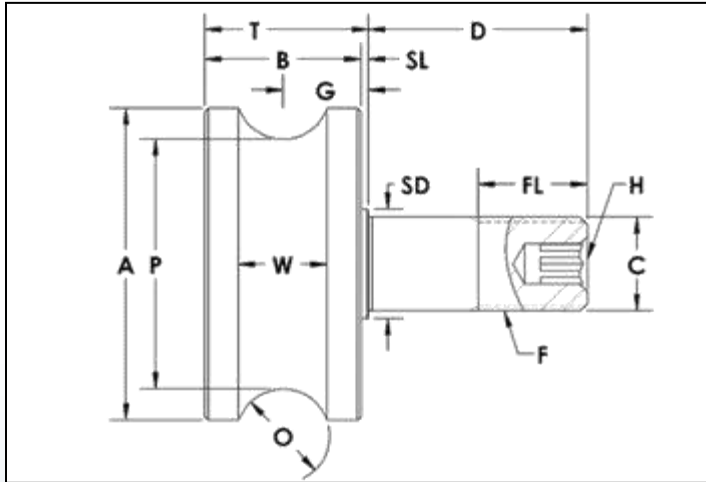
Yoke Type Track Roller Part Number	Basic Radial Dynamic Load Rating (lbs) C	Basic Radial Static Load Rating (lbs) Co	Thrust Dynamic Load Rating (lbs)	Thrust Static Load Rating (lbs)	Maximum Temp. Continuous	Seal Type	Bearing Type	Approx. Roller Weight (lbs)
VTRY-2.50-9-HT	1,276	1,114	641	278	350°F	Fluorocarbon Lip	DGBB-SS	0.82
VTRY-2.50-HT	2,565	2,168	1,270	542	350°F	Fluorocarbon Lip	DGBB-SS	1.30
VTRY-3.00-HT	2,565	2,168	1,270	542	350°F	Fluorocarbon Lip	DGBB-SS	1.69
VTRY-3.50-HT	2,735	2,524	1,407	631	350°F	Fluorocarbon Lip	DGBB-SS	2.70
VTRY-3.50-9-HT	2,735	2,524	1,407	631	350°F	Fluorocarbon Lip	DGBB-SS	2.53
VTRY-3.75A-HT	3,828	3,398	1,936	849	350°F	Fluorocarbon Lip	DGBB-SS	3.05
VTRY-4.50A-HT	5,827	4,631	2,812	1,158	350°F	Fluorocarbon Lip	DGBB-SS	4.88
VTRY-5.00A-HT	6,118	5,171	3,030	1,293	350°F	Fluorocarbon Lip	DGBB-SS	7.48
VTRY-5.50A-HT	6,118	5,171	3,030	1,293	350°F	Fluorocarbon Lip	DGBB-SS	11.06

# UTR-HT Series Track Roller Assembly

U-Grooved – Stud Type Concentric  
High Temperature 350°F - Ball Bearings



(989)358-6148  
www.pcimfg.com



FEATURING  
∞ INFINITY ROLLER™  
TECHNOLOGY

Stud Type Track Roller Part Number	A	B	C	D	F	FL	G	H	O	P	SD	SL	T	W
	Roller Dia.	Roller Width	Stud Dia. +.000 -.001	Stud Length	Thread Size	Thread Length	Groove Center	Hex Size	Rail Size	Point Dia. +.000 -.001	Shoulder Dia.	Shoulder Length	Roller Width + Shoulder Length	Tread Width
UTR-1.50-HT	1.50	0.75	0.437	1.00	7/16 - 20	0.50	0.41	3/16	1/2	1.250	0.5	0.03	0.78	0.43
UTR-1.75-HT	1.75	0.75	0.437	1.00	7/16 - 20	0.50	0.41	3/16	1/2	1.500	0.5	0.03	0.78	0.43
UTR-2.00-HT	2.00	0.81	0.500	1.25	1/2 - 20	0.63	0.44	3/16	5/8	1.750	0.6	0.03	0.84	0.50
UTR-2.50-HT	2.50	1.25	0.750	1.75	3/4 - 16	0.88	0.69	5/16	3/4	2.000	0.9	0.06	1.31	0.71
UTR-3.50-HT	3.50	1.63	0.875	2.00	7/8 - 14	1.13	0.88	5/16	1	3.000	1.0	0.06	1.69	0.87
UTR-4.50A-HT	4.50	1.94	1.250	2.50	1 1/4 - 12	1.75	1.00	1/2	1	4.000	1.5	0.06	2.00	0.87

# UTR-HT Series Track Roller Assembly

U-Grooved – Stud Type Concentric  
High Temperature 350°F - Ball Bearings



## ADDITIONAL NOTES

\*For lubricated threads, use half the maximum clamping torque value shown.

DGGB-SS: Deep Groove Ball Bearings – 440C Stainless Steel

FEATURING ∞ INFINITY ROLLER™ TECHNOLOGY

Jam Nut & Lock Washer sets are available at an additional cost.

For regreasable provisions, add a “-R” to the end of the part number. (See “-R” page for specifications)

Specifications subject to change without notice.

Ask about the 660° F Solution -XHT.

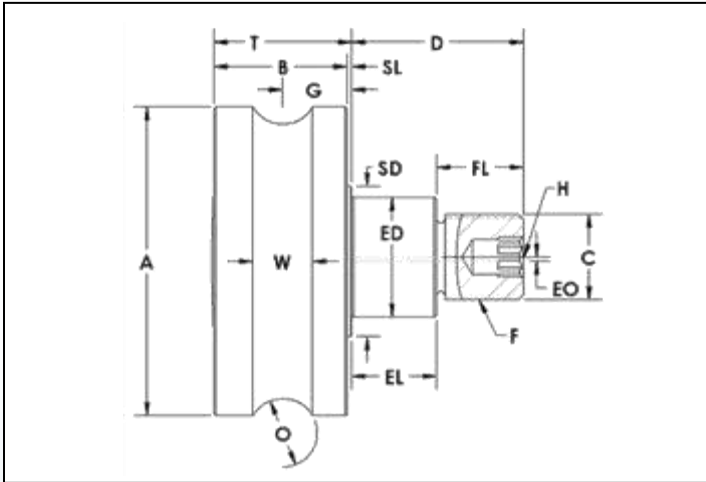
Stud Type Track Roller Part Number	Basic Radial Dynamic Load Rating (lbs) C	Basic Radial Static Load Rating (lbs) Co	Thrust Dynamic Load Rating (lbs)	Thrust Static Load Rating (lbs)	Stud Capacity (lbs)	Retaining Ring Capacity (lbs)	Max. Clamping Torque (in-lbs)*	Maximum Temp. Continuous	Seal Type	Bearing Type	Approx. Roller Weight (lbs)
UTR-1.50-HT	786	467	282	58	530	390	180	350°F	Fluorocarbon Lip	DGGB-SS	0.33
UTR-1.75-HT	786	467	282	58	530	390	180	350°F	Fluorocarbon Lip	DGGB-SS	0.46
UTR-2.00-HT	852	605	317	76	930	470	180	350°F	Fluorocarbon Lip	DGGB-SS	0.64
UTR-2.50-HT	1,688	1,321	809	330	1,470	550	650	350°F	Fluorocarbon Lip	DGGB-SS	1.54
UTR-3.50-HT	2,611	2,064	1,257	516	4,660	900	650	350°F	Fluorocarbon Lip	DGGB-SS	4.05
UTR-4.50A-HT	7,102	5,081	3,287	1,270	13,980	1,950	1,500	350°F	Fluorocarbon Lip	DGGB-SS	8.31

# UTRE-HT Series Track Roller Assembly

U-Grooved – Stud Type Eccentric  
High Temperature 350° F - Ball Bearings



(989)358-6148  
www.pcimfg.com



FEATURING  
∞ INFINITY ROLLER™  
TECHNOLOGY

Stud Type Track Roller Part Number	A	B	C	D	ED	EL	EO	F	FL	G	H	O	P	SD	SL	T	W
	Roller Dia.	Roller Width	Stud Dia. +.000 -.001	Stud Length	Ecc Dia +.000 -.002	Ecc Length	Ecc Offset	Thread Size	Thread Length	Groove Center	Hex Size	Rail Size	Point Dia. +.000 -.001	Shoulder Dia.	Shoulder Length	Roller Width + Shoulder Length	Tread Width
UTRE-1.50-HT	1.50	0.75	0.437	1.00	0.625	0.48	0.03	7/16 - 20	0.52	0.41	3/16	1/2	1.250	0.7	0.03	0.78	0.43
UTRE-1.75-HT	1.75	0.75	0.437	1.00	0.625	0.48	0.03	7/16 - 20	0.52	0.41	3/16	1/2	1.500	0.7	0.03	0.78	0.43
UTRE-2.00-HT	2.00	0.81	0.500	1.25	0.687	0.61	0.03	1/2 - 20	0.65	0.44	3/16	5/8	1.750	0.8	0.03	0.84	0.50
UTRE-2.50-HT	2.50	1.25	0.750	1.75	1.000	0.86	0.03	3/4 - 16	0.90	0.69	5/16	3/4	2.000	1.3	0.06	1.31	0.71
UTRE-3.50-HT	3.50	1.63	0.875	2.00	1.187	0.98	0.03	7/8 - 14	1.02	0.88	5/16	1	3.000	1.5	0.06	1.69	0.87
UTRE-4.50A-HT	4.50	1.94	1.250	2.50	1.750	1.23	0.06	1 1/4 - 12	1.27	1.00	1/2	1	4.000	2.2	0.06	2.00	0.87

# UTRE-HT Series Track Roller Assembly

U-Grooved – Stud Type Eccentric  
High Temperature 350° F - Ball Bearings



## ADDITIONAL NOTES

\*For lubricated threads, use half the maximum clamping torque value shown.

DGBB-SS: Deep Groove Ball Bearings – 440C Stainless Steel

FEATURING ∞ INFINITY ROLLER™ TECHNOLOGY

Jam Nut & Lock Washer sets are available at an additional cost.

For regreasable provisions, add a “-R” to the end of the part number. (See “-R” page for specifications)

Specifications subject to change without notice.

Ask about the 660° F Solution -XHT.

Stud Type Track Roller Part Number	Basic Radial Dynamic Load Rating (lbs) C	Basic Radial Static Load Rating (lbs) Co	Thrust Dynamic Load Rating (lbs)	Thrust Static Load Rating (lbs)	Stud Capacity (lbs)	Retaining Ring Capacity (lbs)	Max. Clamping Torque (in-lbs)*	Maximum Temp. Continuous	Seal Type	Bearing Type	Approx. Roller Weight (lbs)
UTRE-1.50-HT	786	467	282	58	530	390	250	350°F	Fluorocarbon Lip	DGBB-SS	0.33
UTRE-1.75-HT	786	467	282	58	530	390	250	350°F	Fluorocarbon Lip	DGBB-SS	0.46
UTRE-2.00-HT	852	605	317	76	930	470	180	350°F	Fluorocarbon Lip	DGBB-SS	0.64
UTRE-2.50-HT	1,688	1,321	809	330	1,480	550	650	350°F	Fluorocarbon Lip	DGBB-SS	1.54
UTRE-3.50-HT	2,611	2,064	1,257	516	4,660	900	3,450	350°F	Fluorocarbon Lip	DGBB-SS	4.05
UTRE-4.50A-HT	7,102	5,081	3,287	1,270	13,980	1,950	1,500	350°F	Fluorocarbon Lip	DGBB-SS	8.31

# UTRY-HT Series Track Roller Assembly

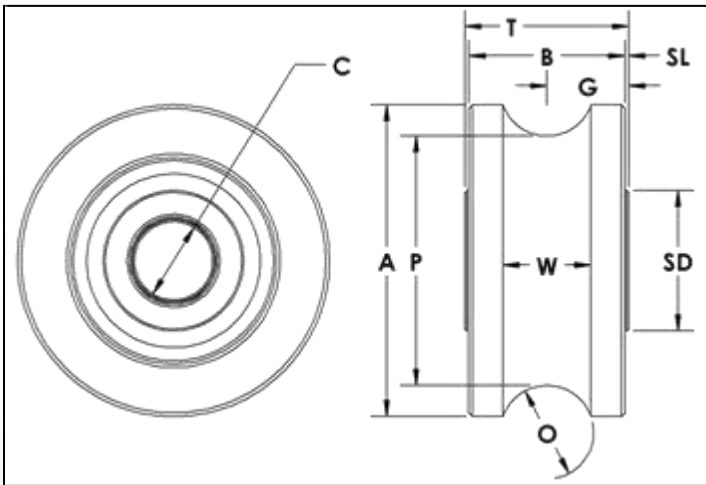
U-Grooved – Yoke Type

High Temperature 350° F - Ball Bearings



(989)358-6148

www.pcimfg.com



FEATURING  
∞ INFINITY ROLLER™  
TECHNOLOGY

Yoke Type Track Roller Part Number	A	B	C	G	O	P	SD	SL	T	W
	Roller Dia.	Roller Width	Bore Dia. +.0007 -.0000	Groove Center	Rail Size	Point Dia. +.000 -.001	Shoulder Dia.	Shoulder Length	Inner Race Width +.005 -.010	Tread Width
UTRY-1.75-HT	1.75	0.88	0.4380	0.47	1/2	1.500	0.9	0.03	0.937	0.44
UTRY-2.00-HT	2.00	1.00	0.5005	0.53	5/8	1.750	0.9	0.03	1.063	0.50
UTRY-2.50-HT	2.50	1.25	0.6255	0.66	3/4	2.000	1.1	0.03	1.313	0.71
UTRY-3.50A-HT	3.50	1.75	1.0005	0.91	1	3.000	1.8	0.03	1.813	0.87
UTRY-4.50A-HT	4.50	2.25	1.2505	1.16	1	4.000	2.0	0.03	2.313	0.87

Optional PCI Yoke Shaft	Optional PCI Eccentric Yoke Shaft
YSH-.437	YSHE-.437
YSH-.500	YSHE-.500
YSH-.625	YSHE-.625
YSH-1.000	YSHE-1.000
YSH-1.250	YSHE-1.250

# UTRY-HT Series Track Roller Assembly

U-Grooved – Yoke Type

High Temperature 350° F - Ball Bearings



(989)358-6148

www.pcimfg.com



## ADDITIONAL NOTES

DGBB-SS: Deep Groove Ball Bearings – 440C Stainless Steel

FEATURING ∞ INFINITY ROLLER™ TECHNOLOGY

PCI Heavy Duty Yoke Shafts are available at an additional cost. See YSH page for details.

For regreasable provisions, add a “-R” to the end of the part number. (See “UTRY-R” page for specifications)

Specifications subject to change without notice.

Ask about the 660° F Solution -XHT.

Yoke Type Track Roller Part Number	Basic Radial Dynamic Load Rating (lbs) C	Basic Radial Static Load Rating (lbs) Co	Thrust Dynamic Load Rating (lbs)	Thrust Static Load Rating (lbs)	Maximum Temp. Continuous	Seal Type	Bearing Type	Approx. Roller Weight (lbs)
UTRY-1.75-HT	1,276	1,114	641	278	350°F	Fluorocarbon Lip	DGBB-SS	0.42
UTRY-2.00-HT	1,276	1,114	641	278	350°F	Fluorocarbon Lip	DGBB-SS	0.65
UTRY-2.50-HT	2,565	2,168	1,270	542	350°F	Fluorocarbon Lip	DGBB-SS	1.19
UTRY-3.50A-HT	5,827	4,631	2,812	1,158	350°F	Fluorocarbon Lip	DGBB-SS	3.30
UTRY-4.50A-HT	6,118	5,171	3,030	1,293	350°F	Fluorocarbon Lip	DGBB-SS	7.93

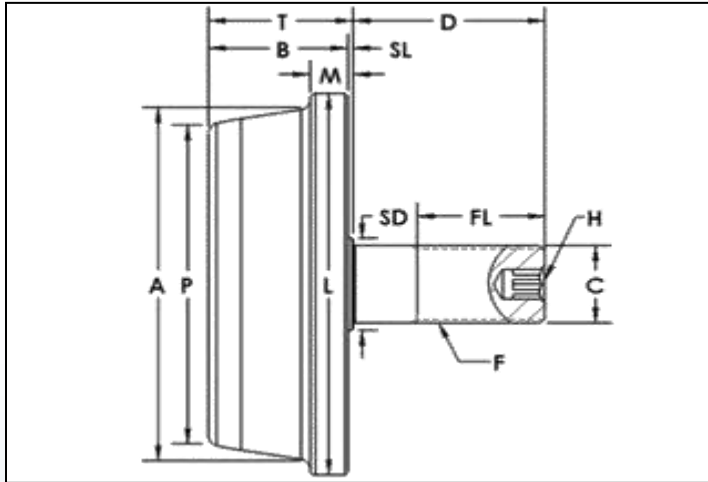


# CIR-HT Series Track Roller Assembly

Channel & I-Beam – Stud Type Concentric  
High Temperature 350° F - Ball Bearings



(989)358-6148  
www.pcimfg.com



FEATURING  
∞ INFINITY ROLLER™  
TECHNOLOGY

Stud Type Track Roller Part Number	A	B	C	D	F	FL	H	L	M	P	SD	SL	T
	Roller Dia.	Roller Width	Stud Dia. +.000 -.001	Stud Length	Thread Size	Thread Length	Hex Size	Flange Dia	Flange Width	Point Dia.	Shoulder Dia.	Shoulder Length	Roller Width + Shoulder Length
CIR-3.00-HT	2.56	1.13	0.625	1.50	5/8 - 18	0.75	5/16	2.94	0.31	2.23	0.8	0.06	1.19
CIR-3.00E-HT	2.56	1.63	0.875	2.00	7/8 - 14	1.13	5/16	2.94	0.62	2.17	1.0	0.06	1.69
CIR-3.00-1-HT	2.50	1.63	1.000	2.25	1 - 14	1.50	3/8	2.94	0.50	2.06	1.2	0.06	1.69
CIR-4.00-HT	3.56	1.63	0.875	2.00	7/8 - 14	1.13	5/16	3.94	0.53	3.14	1.0	0.06	1.69
CIR-4.00E-HT	3.56	1.63	1.000	2.25	1 - 14	1.50	3/8	3.94	0.53	3.14	1.2	0.06	1.69
CIR-5.00-HT	4.56	1.63	1.000	2.25	1 - 14	1.50	3/8	4.94	0.50	4.13	1.2	0.06	1.69

# CIR-HT Series Track Roller Assembly

Channel & I-Beam – Stud Type Concentric  
High Temperature 350°F - Ball Bearings



## ADDITIONAL NOTES

\*For lubricated threads, use half the maximum clamping torque value shown.

DGBB-SS: Deep Groove Ball Bearings – 440C Stainless Steel

FEATURING ∞ INFINITY ROLLER™ TECHNOLOGY

Jam Nut & Lock Washer sets are available at an additional cost.

For regreasable provisions, add a “-R” to the end of the part number. (See “-R” page for specifications)

Specifications subject to change without notice.

Ask about the 660° F Solution -XHT.

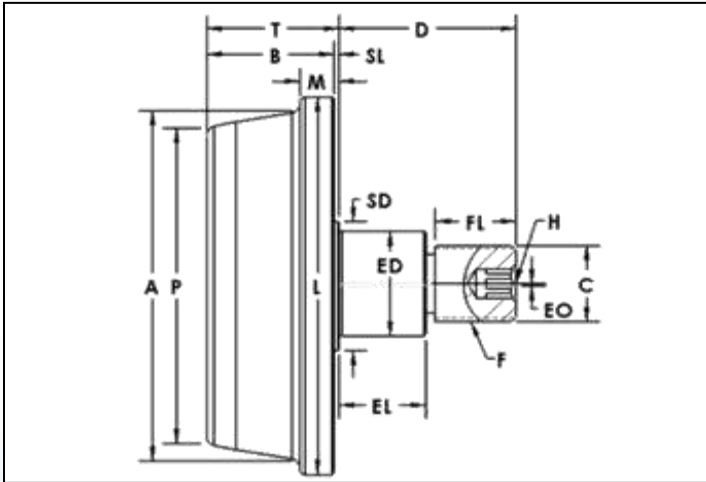
Stud Type Track Roller Part Number	Basic Radial Dynamic Load Rating (lbs) C	Basic Radial Static Load Rating (lbs) Co	Thrust Dynamic Load Rating (lbs)	Thrust Static Load Rating (lbs)	Stud Capacity (lbs)	Retaining Ring Capacity (lbs)	Max. Clamping Torque (in-lbs)*	Maximum Temp. Continuous	Seal Type	Bearing Type	Approx. Roller Weight (lbs)
CIR-3.00-HT	1,688	1,321	809	330	1,070	550	350	350°F	Fluorocarbon Lip	DGBB-SS	1.64
CIR-3.00E-HT	2,611	2,064	1,257	516	3,020	900	650	350°F	Fluorocarbon Lip	DGBB-SS	2.40
CIR-3.00-1-HT	2,565	2,168	1,270	542	4,770	1,340	650	350°F	Fluorocarbon Lip	DGBB-SS	2.37
CIR-4.00-HT	2,611	2,064	1,257	516	2,960	900	650	350°F	Fluorocarbon Lip	DGBB-SS	4.64
CIR-4.00E-HT	3,828	3,398	1,936	849	6,450	1,340	650	350°F	Fluorocarbon Lip	DGBB-SS	4.65
CIR-5.00-HT	3,828	3,398	1,936	849	6,540	1,340	650	350°F	Fluorocarbon Lip	DGBB-SS	7.58

# CIRE-HT Series Track Roller Assembly

Channel & I-Beam – Stud Type Eccentric  
High Temperature 350° F - Ball Bearings



(989)358-6148  
www.pcimfg.com



FEATURING  
∞ INFINITY ROLLER™  
TECHNOLOGY

Stud Type Track Roller Part Number	A	B	C	D	ED	EL	EO	F	FL	H	L	M	P	SD	SL	T
	Roller Dia.	Roller Width	Stud Dia. +.000 -.001	Stud Length	Ecc Dia +.000 -.002	Ecc Length	Ecc Offset	Thread Size	Thread Length	Hex Size	Flange Dia	Flange Width	Point Dia.	Shoulder Dia.	Shoulder Length	Roller Width + Shoulder Length
CIRE-3.00-HT	2.56	1.13	0.625	1.50	0.875	0.73	0.03	5/8 - 18	0.77	5/16	2.94	0.31	2.23	1.1	0.06	1.19
CIRE-3.00E-HT	2.56	1.63	0.875	2.00	1.187	0.98	0.03	7/8 - 14	1.02	5/16	2.94	0.62	2.17	1.5	0.06	1.69
CIRE-3.00-1-HT	2.50	1.63	1.000	2.25	1.375	1.11	0.03	1 - 14	1.15	3/8	2.94	0.50	2.06	1.7	0.06	1.69
CIRE-4.00-HT	3.56	1.63	0.875	2.00	1.187	0.98	0.03	7/8 - 14	1.02	5/16	3.94	0.53	3.14	1.5	0.06	1.69
CIRE-4.00E-HT	3.56	1.63	1.000	2.25	1.375	1.11	0.03	1 - 14	1.15	3/8	3.94	0.53	3.14	1.7	0.06	1.69
CIRE-5.00-HT	4.56	1.63	1.000	2.25	1.375	1.11	0.03	1 - 14	1.15	3/8	4.94	0.50	4.13	1.7	0.06	1.69

# CIRE-HT Series Track Roller Assembly

Channel & I-Beam – Stud Type Eccentric  
High Temperature 350 ° F - Ball Bearings



## ADDITIONAL NOTES

\*For lubricated threads, use half the maximum clamping torque value shown.

DGGB-SS: Deep Groove Ball Bearings – 440C Stainless Steel

FEATURING ∞ INFINITY ROLLER™ TECHNOLOGY

Jam Nut & Lock Washer sets are available at an additional cost.

For regreasable provisions, add a “-R” to the end of the part number. (See “-R” page for specifications)

Specifications subject to change without notice.

Ask about the 660° F Solution -XHT.

Stud Type Track Roller Part Number	Basic Radial Dynamic Load Rating (lbs) C	Basic Radial Static Load Rating (lbs) Co	Thrust Dynamic Load Rating (lbs)	Thrust Static Load Rating (lbs)	Stud Capacity (lbs)	Retaining Ring Capacity (lbs)	Max. Clamping Torque (in-lbs)*	Maximum Temp. Continuous	Seal Type	Bearing Type	Approx. Roller Weight (lbs)
CIRE-3.00-HT	1,688	1,321	809	330	1,080	550	650	350°F	Fluorocarbon Lip	DGGB-SS	1.66
CIRE-3.00E-HT	2,611	2,064	1,257	516	3,020	900	3,450	350°F	Fluorocarbon Lip	DGGB-SS	2.59
CIRE-3.00-1-HT	2,565	2,168	1,270	542	4,770	1,340	5,000	350°F	Fluorocarbon Lip	DGGB-SS	2.59
CIRE-4.00-HT	2,611	2,064	1,257	516	2,960	900	3,450	350°F	Fluorocarbon Lip	DGGB-SS	4.86
CIRE-4.00E-HT	3,828	3,398	1,936	849	6,450	1,340	2,250	350°F	Fluorocarbon Lip	DGGB-SS	4.93
CIRE-5.00-HT	3,828	3,398	1,936	849	6,540	1,340	2,250	350°F	Fluorocarbon Lip	DGGB-SS	7.85

**LOAD BEARING  
ROLLER ASSEMBLIES**



# **WASTE & REFUSE SOLUTIONS**



**Comparable Replacements for  
Trash Truck and Recycling Equipment**

**989.358.6148  
www.pcimfg.com**

# LOAD BEARING ROLLER ASSEMBLIES

## Waste & Refuse Aftermarket Parts List



				
CC# SE-0005-PF	CC# 400-5-1148	HL# 003-4450 EZ# 2118822	HL# 003-4449 EZ# 2118821	MC# 1541824
PDCY-2.50-LU24	PDCY-3.00-LU24	SCF-2.00-SH-THT	SCF-4.00-SH-THT	PDC-2.44-J4591
				
LM# A61020 WK# 400-5-0041	LM# A61019	LM# A61010	MC# 1230635	PP# 0044-509 WK# 400-5-0032
SCF-2.50-SH-THT	SCF-3.50-SH-THT	YCF-3.50-S	YCCF-2.25-S	SCF-2.00-SH
				
PP# 0044-517 WK# 400-5-0048	LB# QUR00910 HL# 0044-539	ROLLER FOR KIT EZ# 2120466	PP# 0603-054	CC# 400-5-0040
SCF-3.00-SH	YCF-3.00-S	NPTR-4.00A-330794	SCF-3.00-SH-140001	SCF-2.50-SH

Not seeing your item? Give us a Call!

PCI provides *Solutions Through Innovation!*

**TRACK ROLLERS – CAM FOLLOWERS – DCB ROLLERS – XR ROLLERS**

**LOAD BEARING  
ROLLER ASSEMBLIES**



# **LUMBER & SAWMILL SOLUTIONS**



Comparable Replacements for  
*Lumber, Sawmill and Pressure Treatment Equipment*

**989.358.6148**  
[www.pcimfg.com](http://www.pcimfg.com)

**LOAD BEARING  
ROLLER ASSEMBLIES**



# **OIL & GAS SOLUTIONS**



Comparable Replacements for  
#30158767-04 / F76105 - 4" Diameter Top Drive Roller  
#30155438 / F76139 - 6" Diameter Top Drive Roller

**989.358.6148**  
[www.pcimfg.com](http://www.pcimfg.com)



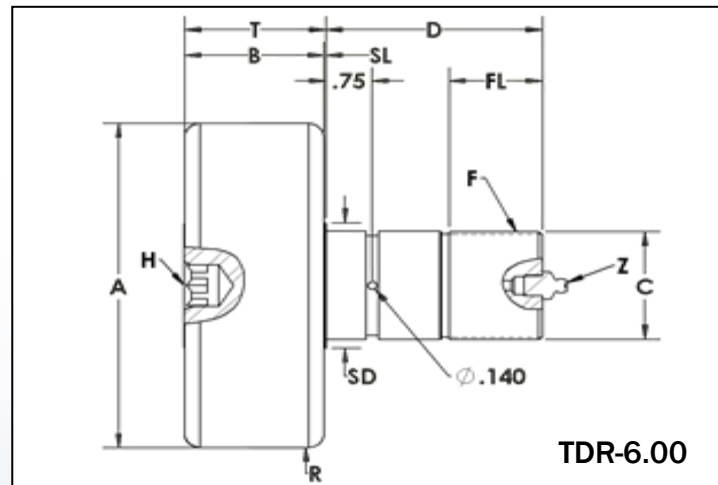
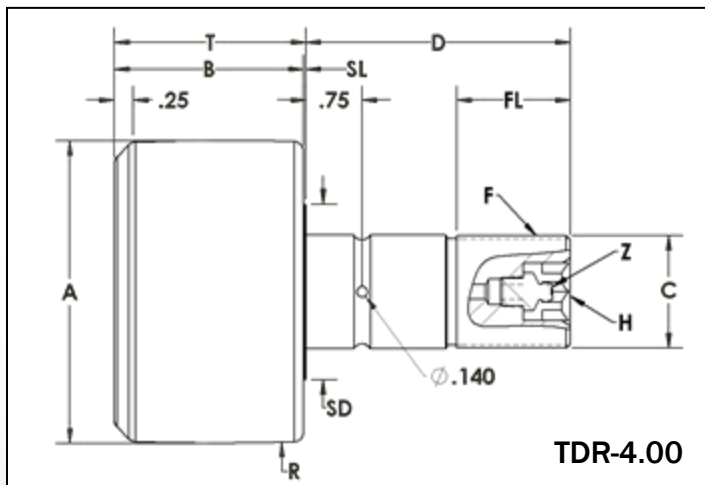
# TDR Series Roller Assembly

Top Drive Rollers

Double Row Cylindrical Roller Bearings / Needle Bearings



(989)358-6148  
www.pcimfg.com



Stud Type TDR Roller Part Number	A	B	C	D	FL	F	H	R	SD	SL	T	Z
	Roller Dia. +.000 -.001	Roller Width	Stud Dia. +.000 -.001	Stud Length	Thread Length	Thread Size	Hex Size	Crown Radius	Shoulder Dia.	Shoulder Length	Roller Width + Shoulder Length	Lube Size
TDR-4.00-1	4.000	2.50	1.500	3.50	1.50	1 1/2 - 12	3/4	30	2.3	0.03	2.53	1/8-27 NPT
TDR-4.00-2	4.000	2.50	1.500	3.50	1.50	1 1/2 - 12	3/4	30	2.3	0.03	2.53	1/8-27 NPT
TDR-4.00-3	4.000	2.50	1.500	3.50	1.50	1 1/2 - 12	3/4	30	2.9	0.03	2.53	1/8-27 NPT
TDR-6.00-1	6.000	2.25	2.000	3.50	1.50	2 - 12	3/4	48	2.3	0.03	2.28	1/8-27 NPT
TDR-6.00-2	6.000	2.25	2.000	3.50	1.50	2 - 12	3/4	48	2.3	0.03	2.28	1/8-27 NPT
TDR-6.00-3	6.000	2.25	2.000	3.30	1.50	2 - 12	3/4	48	2.9	0.03	2.28	1/8-27 NPT
TDR-6.00-4	6.000	2.25	2.000	3.30	1.50	2 - 12	3/4	48	2.9	0.03	2.28	1/8-27 NPT
TDR-6.00-5	6.000	2.25	2.000	3.30	1.50	2 - 12	3/4	48	2.3	0.03	2.28	1/8-27 NPT

Stud Type TDR Roller Part Number	Basic Radial Dynamic Load Rating (lbs) C	Basic Radial Static Load Rating (lbs) Co	Stud Capacity (lbs)	Max. Clamping Torque (in-lbs)*	Seal Type	Bearing Type	Finish	Approx. Roller Weight (lbs)
TDR-4.00-1	47,200	67,200	19,100	2,250	Rubber Lip	FC DCRB	Thin Dense Chrome	8.88
TDR-4.00-2	47,200	67,200	19,100	2,250	Rubber Lip	FC DCRB-SS	Thin Dense Chrome	8.88
TDR-4.00-3	30,270	89,540	19,100	2,250	Moly-Filled Nylon Lip	FC Needle	Thin Dense Chrome	9.31
TDR-6.00-1	47,200	67,200	50,250	2,250	Rubber Lip	FC DCRB	Thin Dense Chrome	19.62
TDR-6.00-2	47,200	67,200	50,250	2,250	Rubber Lip	FC DCRB-SS	Thin Dense Chrome	19.62
TDR-6.00-3	30,270	89,540	50,250	2,250	Moly-Filled Nylon Lip	FC Needle	Thin Dense Chrome	19.85
TDR-6.00-4	30,270	89,540	50,250	2,250	Moly-Filled Nylon Lip	FC Needle	Black Oxide	19.85
TDR-6.00-5	47,200	67,200	50,250	2,250	Rubber Lip	FC DCRB	Thin Dense Chrome	19.46

## ADDITIONAL NOTES

\*For lubricated threads, use half the maximum clamping torque value shown.

FC DCRB: Full Compliment Double Row Cylindrical Roller Bearings- Alloy Steel

FC DCRB-SS: Full Compliment Double Row Cylindrical Roller Bearings- 440C Stainless Steel

FC Needle: Full Compliment Needle Roller Bearings - Alloy Steel

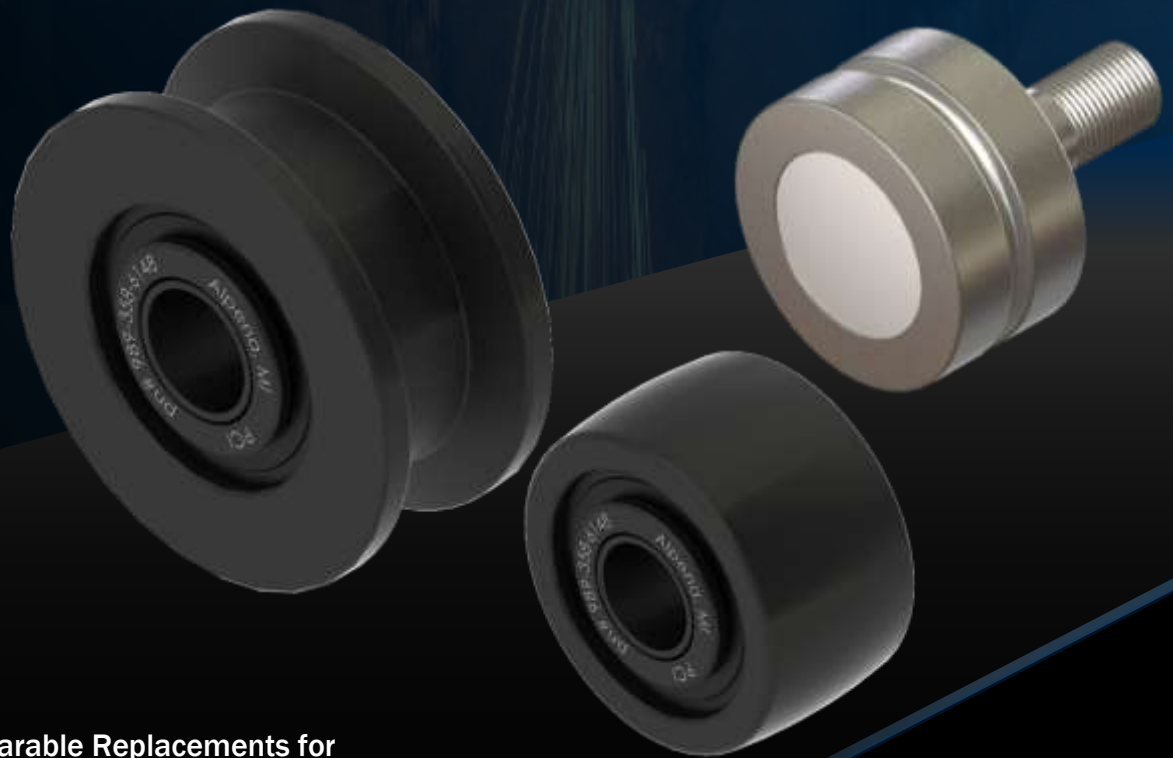
Lubrication Fitting included with roller assembly. Jam Nut & Lock Washer sets are available at an additional cost.

Specifications subject to change without notice.

**LOAD BEARING  
ROLLER ASSEMBLIES**



# **STEEL & METAL SOLUTIONS**

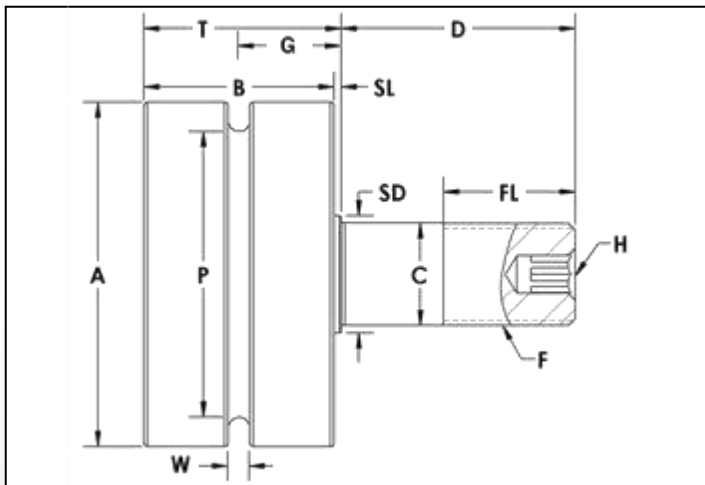


**Comparable Replacements for  
Steel Mill, Metal Processing and Treatment Equipment**

**989.358.6148  
www.pcimfg.com**

# WGR Series Wire Guide Roller

Wire Guide – Stud Type Concentric  
Ball Bearings



FEATURING  
∞ INFINITY ROLLER™  
TECHNOLOGY

Stud Type Wire Guide Part Number	A	B	C	D	F	FL	G	H	P	SD	SL	T	W
	Roller Dia.	Roller Width	Stud Dia. +.000 -.001	Stud Length	Thread Size	Thread Length	Groove Center	Hex Size	Groove Dia.	Shoulder Dia.	Shoulder Length	Roller Width + Shoulder Length	Groove Width
WGR-2.937-A	2.94	1.63	0.875	2.00	7/8 - 14	1.13	0.88	5/16	2.313	1.0	0.06	1.69	0.263
WGR-2.937-B	2.94	1.63	0.875	2.00	7/8 - 14	1.13	0.88	5/16	2.313	1.0	0.06	1.69	0.242
WGR-2.937-C	2.94	1.63	0.875	2.00	7/8 - 14	1.13	0.88	5/16	2.375	1.0	0.06	1.69	0.224
WGR-2.937-D	2.94	1.63	0.875	2.00	7/8 - 14	1.13	0.88	5/16	2.375	1.0	0.06	1.69	0.207
WGR-2.937-E	2.94	1.63	0.875	2.00	7/8 - 14	1.13	0.88	5/16	2.438	1.0	0.06	1.69	0.184
WGR-2.937-F	2.94	1.63	0.875	2.00	7/8 - 14	1.13	0.88	5/16	2.500	1.0	0.06	1.69	0.169
WGR-2.937-G	2.94	1.63	0.875	2.00	7/8 - 14	1.13	0.88	5/16	2.500	1.0	0.06	1.69	0.152
WGR-2.937-H	2.94	1.63	0.875	2.00	7/8 - 14	1.13	0.88	5/16	2.563	1.0	0.06	1.69	0.138
WGR-2.937-I	2.94	1.63	0.875	2.00	7/8 - 14	1.13	0.88	5/16	2.625	1.0	0.06	1.69	0.124
WGR-2.937-J	2.94	1.63	0.875	2.00	7/8 - 14	1.13	0.88	5/16	2.625	1.0	0.06	1.69	0.113

Stud Type Wire Guide Part Number	Basic Radial Dynamic Load Rating (lbs) C	Basic Radial Static Load Rating (lbs) Co	Thrust Dynamic Load Rating (lbs)	Thrust Static Load Rating (lbs)	Stud Capacity (lbs)	Retaining Ring Capacity (lbs)	Max. Clamping Torque (in-lbs)*	Seal Type	Bearing Type	Approx. Roller Weight (lbs)
WGR-2.937-A	4,661	3,012	2,076	753	4,460	1,340	1,200	Rubber Lip	DGBB	2.90
WGR-2.937-B	4,661	3,012	2,076	753	4,460	1,340	1,200	Rubber Lip	DGBB	2.91
WGR-2.937-C	4,661	3,012	2,076	753	4,460	1,340	1,200	Rubber Lip	DGBB	2.94
WGR-2.937-D	4,661	3,012	2,076	753	4,460	1,340	1,200	Rubber Lip	DGBB	2.95
WGR-2.937-E	4,661	3,012	2,076	753	4,460	1,340	1,200	Rubber Lip	DGBB	2.97
WGR-2.937-F	4,661	3,012	2,076	753	4,460	1,340	1,200	Rubber Lip	DGBB	2.99
WGR-2.937-G	4,661	3,012	2,076	753	4,460	1,340	1,200	Rubber Lip	DGBB	3.00
WGR-2.937-H	4,661	3,012	2,076	753	4,460	1,340	1,200	Rubber Lip	DGBB	3.02
WGR-2.937-I	4,661	3,012	2,076	753	4,460	1,340	1,200	Rubber Lip	DGBB	3.03
WGR-2.937-J	4,661	3,012	2,076	753	4,460	1,340	1,200	Rubber Lip	DGBB	3.03

## ADDITIONAL NOTES

\*For lubricated threads, use half the maximum clamping torque value shown.

DGBB: Deep Groove Ball Bearings – Alloy Steel

Jam Nut & Lock Washer sets are available at an additional cost.

Specifications subject to change without notice.



# LOAD BEARING ROLLER ASSEMBLIES SPECIALS & CUSTOMS

## Solutions Through Innovation for More than 35 Years!

Can't Find What  
You Need?

Call PCI  
(989) 358-6148

For additional information and to explore  
all the choices for your solution,  
contact PCI - ProCal Innovations, LLC.  
or visit us on the web at  
[www.pcimfg.com](http://www.pcimfg.com).



### PCI is your trusted advisor - providing you with:

#### PRODUCT KNOWLEDGE

PCI has a thorough understanding of what it takes to manufacture a successful product. PCI provides you with pre-engineered products, modified units or products engineered specifically for your needs.

PCI provides you the maximum number of viable choices, so you can make the best decision for your economic and delivery requirements.

#### APPLICATION ASSISTANCE

Our experience and market research enables PCI to offer unique market solutions that fulfill industry requirements including:

- food processing
- marine
- mining
- petrochemical
- lumber, sawmill, wood
- steel and metal treatment

#### QUICKEST DELIVERY

Along with an innovative design, a solution needs desirable delivery. PCI secures your application solution when you need it.

Pre-Engineered - IN STOCK  
Industry Solutions - IN STOCK  
Plus, Industry Leading Delivery for Custom units including  
**EXPEDITES**

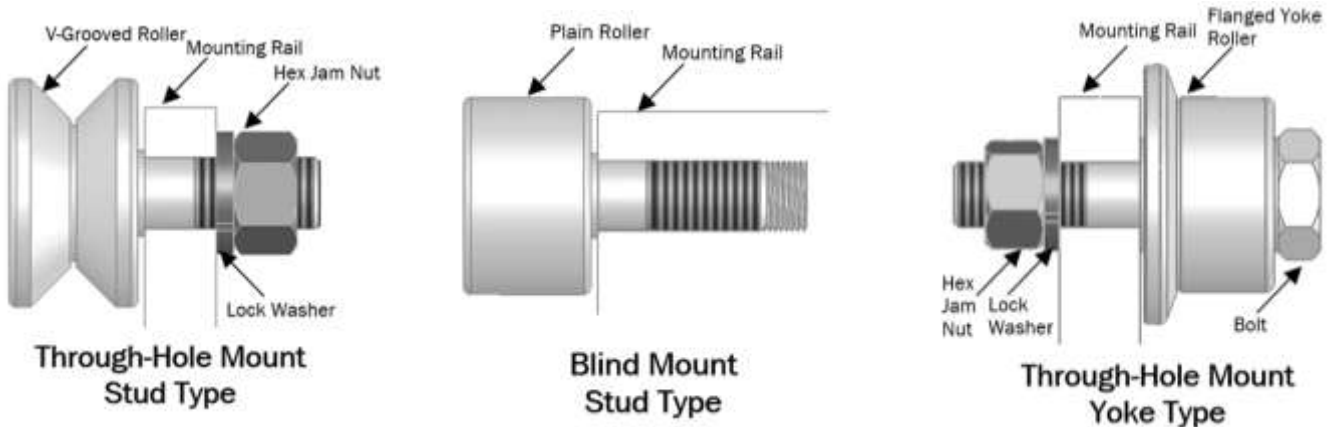
# LOAD BEARING ROLLER ASSEMBLIES

## Engineering Data

### Installation Notes

#### **INSTALLING STUD TYPE LOAD BEARING ROLLER ASSEMBLIES**

Mounting holes should be machined to the nominal stud size within  $+.001/-0.000$  ( $+.025\text{mm} / -.000\text{mm}$ ) tolerance. When properly aligned, the stud of the roller should slip into the mounting rail. Do not force the stud into the mounting rail or damage may occur. When mounting rollers, do not torque the jam nuts (or the hex of the roller when blind mounting) beyond the recommended torque capacity of the unit or damage may occur. Recommended torque capacities are listed on item specification pages for units with dry threads. Decrease the listed torque by half if threads are lubricated. Be sure that the mounting rail surface is as large as the Shoulder Diameter (SD) of the roller and is of sufficient thickness to support the applied loads as well as provide positive clamping force once installed.



Be sure to consult item specification pages to obtain the recommended torque value for a given unit. If a maximum torque value cannot be located on the item's specification page, consult the table below for a baseline recommended maximum torque value based on the unit's stud diameter.

STUD DIAMETER	DRY THREADS	LUBRICATED THREADS
Less than 5/8"/16mm	180 in. Lb/20Nm	96 in. Lb/10Nm
5/8"/16mm to 1"/24mm	600 in. Lb/68Nm	300 in. Lb/34Nm
Over 1"/24mm	1200 in. Lb/136Nm	600 in. Lb/68Nm

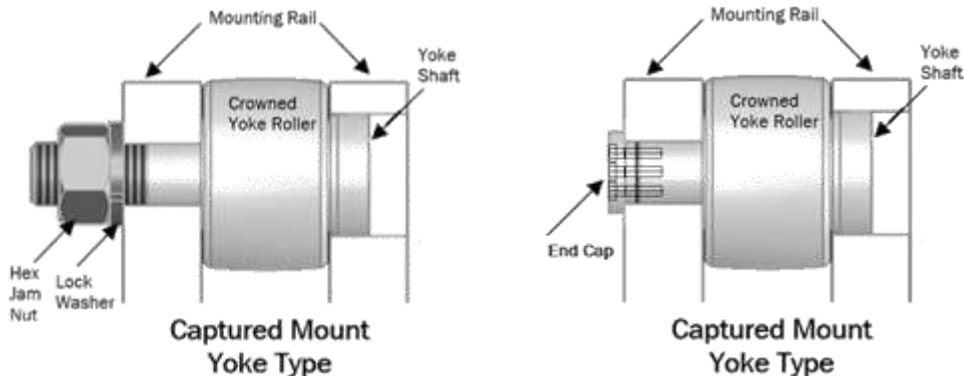
#### **INSTALLING YOKE TYPE LOAD BEARING ROLLER ASSEMBLIES**

Mounting rails should be spaced so that there is  $+0.032$ " clearance beyond the stated inner race width of the roller. Be sure that the mounting rail is at least as large in diameter as the Shoulder Diameter (SD) of the roller and is of sufficient thickness to support the applied loads as well as provide positive clamping force once installed.

**NOTE:** Both shoulders of the inner race must be tightened firmly against the mounting rail such that the inner race is isolated and not allowed to rotate on the yoke shaft. Failure to immobilize the inner race of a yoke roller may result in undesirable performance and/or failure of the unit.

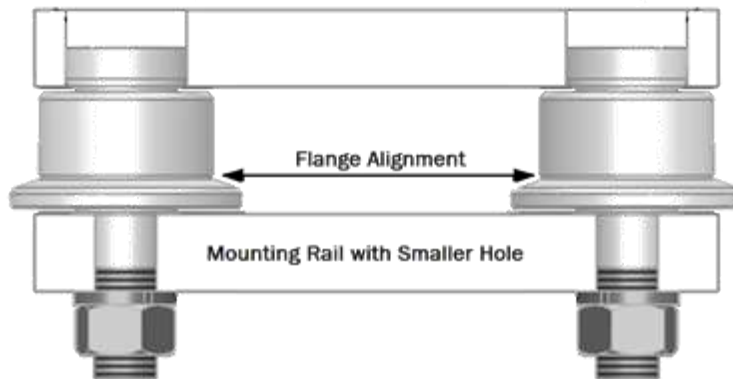
#### **FOR YOKE STYLE ROLLERS WITH A PLAIN / CYLINDRICAL ROLLER BODY PROFILE**

Locate either side of the roller against the mounting rail with the smaller hole. Simply tightening the lock nut (mounting bolts on an end cap style) will snug the roller up against the mounting rail.



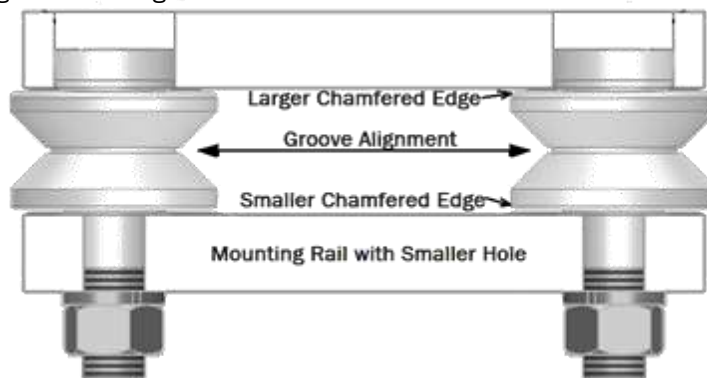
#### **FOR YOKE STYLE ROLLERS WITH A FLANGED ROLLER BODY PROFILE**

Locate the flanged side of the roller against the mounting rail with the smaller hole. Simply tightening the lock nut (mounting bolts on an end cap style) will snug the roller up against the mounting rail. This will ensure proper flange alignment among rollers.



#### **FOR YOKE STYLE ROLLERS WITH A V-GROOVED ROLLER BODY PROFILE**

Locate the side of the roller with the smaller chamfered edge against the mounting rail with the smaller hole. Simply tightening the lock nut (mounting bolts on an end cap style) will snug the roller up against the mounting rail. This will ensure proper v-groove alignment among rollers.



# LOAD BEARING ROLLER ASSEMBLIES

## Engineering Data

### Load Capacity Ratings and Calculations



#### **LOAD RATINGS**

The load ratings listed in this document are to be used for reference purposes only and are best suited for allowing comparison across product families. For optimum results, loads should not exceed the listed stud capacity or no more than 50% of the dynamic capacity.

#### **CAPACITY OF THE BEARING ELEMENT - BASIC DYNAMIC LOAD RATING (BDR)**

PCI Load Bearing Roller Assemblies that have been properly mounted, lubricated, shielded from contamination and maintained will operate with minimal wear until fatigue failure of the rolling elements takes place. Individual bearing life is expressed as the number of revolutions or the number of hours at a given speed that a bearing will complete before fatigue failure occurs. The  $L_{10}$  or minimum life is a common expression of bearing life and is defined as the number of hours at a constant speed (or number revolutions) that 90% of a given test group of identical bearings should survive under controlled, laboratory-like conditions. The Basic Dynamic Load Ratings listed in this catalog are calculated using 33-1/3RPM and 500 hours as application variables. To relate the BDR required to the speed, load and desired life, use the following formula:

$$L_{10} = \frac{16,667}{N} \left( \frac{BDR}{P} \right)^A$$

BDR = Basic Dynamic Load Rating Required

P = Applied Load in Application

$L_{10}$  = Desired Life (hours)

N = Speed (RPM)

A = Exponent (3 for ball bearings or  $10/3$  for roller bearings)

#### **BASIC STATIC LOAD RATING**

Loads are to be considered static when the Load Bearing Roller assembly is rotating at speeds less than 10RPM, or subjected to very slow oscillating movements, or are stationary during a significant period of time. The Basic Static Load Rating is the static load which will cause a contact stress of 609,000psi for ball bearings and 580,000psi for roller bearings between the rolling elements and the raceway. Loads above the Basic Static load rating cause permanent deformation of the rolling element in excess of .0001 of the rolling element diameter.

#### **C - BASIC RADIAL DYNAMIC LOAD RATING**

The Basic Radial Dynamic Load Ratings listed as “C” values are in reference to load applied 90 degrees to the bearing bore or axis of rotation only. If load is to be applied in any other manner, this value may not be directly applicable.

#### **C<sub>0</sub> - BASIC RADIAL STATIC LOAD RATING**

The Basic Radial Static Load Ratings listed as “C<sub>0</sub>” values are in reference to load applied 90 degrees to the bearing bore or axis of rotation only. If load is to be applied in any other manner, this value may not be directly applicable.

#### **THRUST DYNAMIC LOAD RATING**

The Thrust Dynamic Load Ratings listed are in reference to pure axial load only which is load applied directly parallel with the bearing bore or axis of rotation. Since load is not likely to be applied in this manner with this family of products, this value is to be used for comparison purposes only.

#### **THRUST STATIC LOAD RATING**

The Thrust Static Load Ratings listed are in reference to pure axial load only which is load applied directly parallel with the bearing bore or axis of rotation. Since load is not likely to be applied in this manner with this family of products, this value is to be used for comparison purposes only.

# LOAD BEARING ROLLER ASSEMBLIES

## Engineering Data

### Load Capacity Ratings, Calculations and Temperature



#### STUD CAPACITY

In some cases, the maximum allowable load on a Load Bearing Roller Assembly is limited by the capacity of the stud or mounting agent. The stud becomes the limiting factor based on its maximum permissible bending stress. The stud capacities listed in this document are calculated as the maximum bending stress based on a load centered on the roller body tread surface and include a factor of safety of 1.33.

#### TRACK CAPACITY

Track capacity for flat track surfaces can be calculated through use of Hertzian contact stress formulas. These formulas utilize the properties of track material and the contact conditions between the track and the Load Bearing Roller Assembly to calculate the maximum contact stresses generated in a given situation. To maximize track life, the maximum Hertzian contact stress must not exceed the ultimate tensile strength of the track. To determine the appropriate track and/or roller for a particular application, use the following steps:

1. **Select the appropriate Hertzian formula based on the profile of the PCI Load Bearing Roller Assembly.**  
(Contact PCI Customer Service for assistance in calculating capacities for track profiles other than flat)
2. **Enter the variables into the appropriate formula and calculate the maximum contact stress.**
3. **Use the approximate ultimate tensile strength tables to determine the tensile strength of the track**
4. **Compare the maximum calculated contact stress to the tensile strength of the track**
5. **If the maximum contact stress is greater than the track tensile strength, a harder track or larger diameter roller should be selected and reanalyzed.**

#### MAXIMUM CONTACT STRESS: Plain / Cylindrical Roller Body

The maximum contact stress between the tread surface of a steel or stainless steel roller body with a plain/cylindrical profile can be approximated using a simplified Hertzian Contact Stress equation; given by "Roark, Formulas for Stress and Strain" as:

$$\sigma_{C \max} = 3,237 \times \sqrt{\frac{P}{l_{eff} \times D}}$$

Where:  $\sigma_{C \max}$  = Maximum contact stress [psi]

$P$  = Radial load [lbf]

$l_{eff}$  = Effective length of outer ring contact

$D$  = Outer ring diameter

#### MAXIMUM CONTACT STRESS: Crowned / Spherical Roller Body

The maximum contact stress between the tread surface of a steel or stainless steel roller body with crowned/spherical profile can be approximated using a simplified Hertzian Contact Stress equation; given by "Roark, Formulas for Stress and Strain" as:

$$\sigma_{C \max} = \frac{.4775 P}{\alpha \beta \left( \sqrt[3]{P \times K_D \times (6.106 \times 10^{-8})} \right)^2}$$

Where:  $\sigma_{C \max}$  = Maximum contact stress [psi]

$P$  = Radial load [lbf]

$$K_D = \frac{1.5}{\left( \frac{1}{R_1} \right) + \left( \frac{1}{R'_1} \right)}$$

$R_1$  = Outer ring radius [in]

$R'_1$  = Crown radius [in]

$\alpha$  and  $\beta$  = Solve the equation below for  $\cos \theta$  and use Table 1

$$\cos \theta = \left( \frac{1}{\left( \frac{1}{R_1} \right) + \left( \frac{1}{R'_1} \right)} \right) \left| \left( \frac{1}{R_1} - \frac{1}{R'_1} \right) \right|$$

$\cos \theta$	$\alpha$	$\beta$
0.00	1.000	1.000
0.10	1.070	0.936
0.20	1.150	0.878
0.30	1.242	0.822
0.40	1.351	0.769
0.50	1.486	0.717
0.60	1.661	0.644
0.70	1.905	0.608
0.75	2.072	0.578
0.80	2.292	0.544
0.85	2.600	0.507
0.90	3.093	0.461
0.92	3.396	0.438
0.94	3.824	0.412
0.96	3.508	0.378
0.98	5.937	0.328
0.99	7.774	0.287

Table 1: Contact Stress Variables



# LOAD BEARING ROLLER ASSEMBLIES

## Engineering Data

### Load Capacity Ratings, Calculations and Temperature



#### TRACK CAPACITY (continued)

Determine the ultimate tensile strength of the track material using Tables 2 and 3 below. Table 2 contains approximated tensile strength values based on the hardness of standard alloy steels while Table 3 contains the same information pertaining to common stainless steel materials. Compare the approximated tensile strength from these charts to the calculated maximum contact stress value obtained in the previous steps. The maximum contact stress value should not exceed the track ultimate tensile strength value. If the contact stress exceeds the ultimate tensile strength, a harder track material or a load bearing roller assembly with a larger and/or wider roller body should be selected.

Alloy Steel Hardness Rockwell C	Approximate Tensile Strength (ksi)
20	110
25	122
30	138
35	157
40	182
45	215
50	252
55	298

Table 2: Approximate Ultimate Tensile Strength of Standard Steel Materials  
(Fundamentals of Machine Component Design; Second Edition, p. 85)

Stainless Steel Material (Condition)	Hardness	Approximate Tensile Strength (ksi)
316 (Annealed)	80 Rockwell B	85
440C (Annealed)	96 Rockwell B	110
440C (Hardened & Tempered)	57 Rockwell C	285

Table 3: Approximate Ultimate Tensile Strength of Stainless Steel Materials  
(Machinery's Handbook: 25<sup>th</sup> Edition, p. 440-441)

#### TEMPERATURE LIMITATIONS

Unless otherwise noted, PCI Cam Followers are limited to a continuous operating temperature of 200 °F while PCI Track Rollers, DCB Rollers and XR Rollers are limited to a continuous operating temperature range of -30 °F to 225 °F due to limitations in the sealing provisions. Many high and low temperature options are available. Please consult with a PCI Customer Service Representative for additional information.

#### APPLICATION CONSIDERATIONS

The proper selection and application of PCI Load Bearing Roller Assemblies is the responsibility of the system designer. Operation and performance requirements and potential associated issues will vary appreciably depending upon the use and application of such products and components. The scope of the technical and application information included in this publication is necessarily limited. Unusual operating environments and conditions, lubrication requirements, loading supports and other factors can affect the application and operating results of the products and components and the customer should carefully review its requirements. Any technical advice or review furnished by PCI, with respect to the use of products is given in good faith and without charge and PCI assumes no obligation or liability for the advice given, or results obtained, all such advice and review being given and accepted at customer's risk.

PCI Load Bearing Rollers Assemblies and related components are not recommended for use in any nuclear related environments or applications.

A copy of our **Terms of Sale Rider-PCI Standard Terms and Conditions of Sale** can be found on our website [www.pcimfg.com](http://www.pcimfg.com) or can be requested by contacting our Customer Service department at 989.358.6148.

# Cross Reference Charts

In Alphabetical Order by Reference Number



(989)358-6148  
www.pcimfg.com

Industry Cross Reference		PGI
CCF 2 S	McG	SCCF-2.00-S
CCF 2 SB	McG	SCCF-2.00-SH
CCF 2 1/4 S	McG	SCCF-2.25-S
CCF 2 1/4 SB	McG	SCCF-2.25-SH
CCF 2 1/2 S	McG	SCCF-2.50-S
CCF 2 1/2 SB	McG	SCCF-2.50-SH
CCF 2 3/4 S	McG	SCCF-2.75-S
CCF 2 3/4 SB	McG	SCCF-2.75-SH
CCF 3 S	McG	SCCF-3.00-S
CCF 3 SB	McG	SCCF-3.00-SH
CCF 3 1/4 S	McG	SCCF-3.25-S
CCF 3 1/4 SB	McG	SCCF-3.25-SH
CCF 3 1/2 S	McG	SCCF-3.50-S
CCF 3 1/2 SB	McG	SCCF-3.50-SH
CCF 4 S	McG	SCCF-4.00-S
CCF 4 SB	McG	SCCF-4.00-SH
CCF 5 SB	McG	SCCF-5.00-SH
CCF 6 SB	McG	SCCF-6.00-SH
CCF 7 SB	McG	SCCF-7.00-SH
CCF 8 SB	McG	SCCF-8.00-SH
CCF 9 SB	McG	SCCF-9.00-SH
CCF 10 SB	McG	SCCF-10.00-SH
CCFD 2	McG	CDC-2.00
CCFD 2 1/4	McG	CDC-2.25
CCFD 2 1/2	McG	CDC-2.50
CCFD 2 3/4	McG	CDC-2.75
CCFD 3	McG	CDC-3.00
CCFD 3 1/4	McG	CDC-3.25
CCFD 3 1/2	McG	CDC-3.50
CCFD 4	McG	CDC-4.00
CCFD 5	McG	CDC-5.00
CCFD 6	McG	CDC-6.00
CCFE 2 S	McG	SCCFE-2.00-S
CCFE 2 SB	McG	SCCFE-2.00-SH
CCFE 2 1/4 S	McG	SCCFE-2.25-S
CCFE 2 1/4 SB	McG	SCCFE-2.25-SH
CCFE 2 1/2 S	McG	SCCFE-2.50-S
CCFE 2 1/2 SB	McG	SCCFE-2.50-SH
CCFE 2 3/4 S	McG	SCCFE-2.75-S
CCFE 2 3/4 SB	McG	SCCFE-2.75-SH
CCFE 3 S	McG	SCCFE-3.00-S
CCFE 3 SB	McG	SCCFE-3.00-SH
CCFE 3 1/4 S	McG	SCCFE-3.25-S
CCFE 3 1/4 SB	McG	SCCFE-3.25-SH
CCFE 3 1/2 S	McG	SCCFE-3.50-S
CCFE 3 1/2 SB	McG	SCCFE-3.50-SH
CCFE 4 S	McG	SCCFE-4.00-S
CCFE 4 SB	McG	SCCFE-4.00-SH
CCFH 2 S	McG	HCCF-2.00-S
CCFH 2 SB	McG	HCCF-2.00-SH
CCFH 2 1/4 S	McG	HCCF-2.25-S
CCFH 2 1/4 SB	McG	HCCF-2.25-SH
CCFH 2 1/2 S	McG	HCCF-2.50-S
CCFH 2 1/2 SB	McG	HCCF-2.50-SH
CCFH 2 3/4 S	McG	HCCF-2.75-S
CCFH 2 3/4 SB	McG	HCCF-2.75-SH
CCFH 3 S	McG	HCCF-3.00-S
CCFH 3 SB	McG	HCCF-3.00-SH
CCFH 3 1/4 S	McG	HCCF-3.25-S
CCFH 3 1/4 SB	McG	HCCF-3.25-SH
CCFH 3 1/2 S	McG	HCCF-3.50-S
CCFH 3 1/2 SB	McG	HCCF-3.50-SH
CCFH 4 S	McG	HCCF-4.00-S

Industry Cross Reference		PGI
CCFH 4 SB	McG	HCCF-4.00-SH
CCFH 5 SB	McG	HCCF-5.00-SH
CCFH 6 SB	McG	HCCF-6.00-SH
CCFH 7 SB	McG	HCCF-7.00-SH
CCYR 2 S	McG	YCCF-2.00-S
CCYR 2 1/4 S	McG	YCCF-2.25-S
CCYR 2 1/2 S	McG	YCCF-2.50-S
CCYR 2 3/4 S	McG	YCCF-2.75-S
CCYR 3 S	McG	YCCF-3.00-S
CCYR 3 1/4 S	McG	YCCF-3.25-S
CCYR 3 1/2 S	McG	YCCF-3.50-S
CCYR 4 S	McG	YCCF-4.00-S
CCYR 5 S	McG	YCCF-5.00-S
CCYR 6 S	McG	YCCF-6.00-S
CCYR 7 S	McG	YCCF-7.00-S
CCYR 8 S	McG	YCCF-8.00-S
CCYR 9 S	McG	YCCF-9.00-S
CCYR 10 S	McG	YCCF-10.00-S
CCYRD 3	McG	CDCY-3.00
CCYRD 3 1/4	McG	CDCY-3.25
CCYRD 3 1/2	McG	CDCY-3.50
CCYRD 4	McG	CDCY-4.00
CCYRD 5	McG	CDCY-5.00
CCYRD 6	McG	CDCY-6.00
CF 2 S	McG	SCF-2.00-S
CF 2 SB	McG	SCF-2.00-SH
CF 2 1/4 S	McG	SCF-2.25-S
CF 2 1/4 SB	McG	SCF-2.25-SH
CF 2 1/2 S	McG	SCF-2.50-S
CF 2 1/2 SB	McG	SCF-2.50-SH
CF 2 3/4 S	McG	SCF-2.75-S
CF 2 3/4 SB	McG	SCF-2.75-SH
CF 3 S	McG	SCF-3.00-S
CF 3 SB	McG	SCF-3.00-SH
CF 3 1/4 S	McG	SCF-3.25-S
CF 3 1/4 SB	McG	SCF-3.25-SH
CF 3 1/2 S	McG	SCF-3.50-S
CF 3 1/2 SB	McG	SCF-3.50-SH
CF 4 S	McG	SCF-4.00-S
CF 4 SB	McG	SCF-4.00-SH
CF 5 SB	McG	SCF-5.00-SH
CF 6 SB	McG	SCF-6.00-SH
CF 7 SB	McG	SCF-7.00-SH
CF 8 SB	McG	SCF-8.00-SH
CF 9 SB	McG	SCF-9.00-SH
CF 10 SB	McG	SCF-10.00-SH
CFD 2	McG	PDC-2.00
CFD 2 1/4	McG	PDC-2.25
CFD 2 1/2	McG	PDC-2.50
CFD 2 3/4	McG	PDC-2.75
CFD 3	McG	PDC-3.00
CFD 3 1/4	McG	PDC-3.25
CFD 3 1/2	McG	PDC-3.50
CFD 4	McG	PDC-4.00
CFD 5	McG	PDC-5.00
CFD 6	McG	PDC-6.00
CFE 2 S	McG	SCFE-2.00-S
CFE 2 SB	McG	SCFE-2.00-SH
CFE 2 1/4 S	McG	SCFE-2.25-S
CFE 2 1/4 SB	McG	SCFE-2.25-SH
CFE 2 1/2 S	McG	SCFE-2.50-S
CFE 2 1/2 SB	McG	SCFE-2.50-SH
CFE 2 3/4 S	McG	SCFE-2.75-S
CFE 2 3/4 SB	McG	SCFE-2.75-SH
CFE 3 S	McG	SCFE-3.00-S
CFE 3 SB	McG	SCFE-3.00-SH
CFE 3 1/4 S	McG	SCFE-3.25-S
CFE 3 1/4 SB	McG	SCFE-3.25-SH
CFE 3 1/2 S	McG	SCFE-3.50-S
CFE 3 1/2 SB	McG	SCFE-3.50-SH
CFE 4 S	McG	SCFE-4.00-S
CFE 4 SB	McG	SCFE-4.00-SH
CFH 2 S	McG	HCF-2.00-S
CFH 2 SB	McG	HCF-2.00-SH
CFH 2 1/4 S	McG	HCF-2.25-S
CFH 2 1/4 SB	McG	HCF-2.25-SH
CFH 2 1/2 S	McG	HCF-2.50-S
CFH 2 1/2 SB	McG	HCF-2.50-SH
CFH 2 3/4 S	McG	HCF-2.75-S
CFH 2 3/4 SB	McG	HCF-2.75-SH
CFH 3 S	McG	HCF-3.00-S
CFH 3 SB	McG	HCF-3.00-SH
CFH 3 1/4 S	McG	HCF-3.25-S
CFH 3 1/4 SB	McG	HCF-3.25-SH
CFH 3 1/2 S	McG	HCF-3.50-S
CFH 3 1/2 SB	McG	HCF-3.50-SH
CFH 4 S	McG	HCF-4.00-S
CFH 4 SB	McG	HCF-4.00-SH
CFH 5 SB	McG	HCF-5.00-SH
CFH 6 SB	McG	HCF-6.00-SH
CFH 7 SB	McG	HCF-7.00-SH
CH64L	RBC	HCCF-2.00-S
CH64LW	RBC	HCCF-2.00-SH
CH72L	RBC	HCCF-2.25-S
CH72LW	RBC	HCCF-2.25-SH
CH80L	RBC	HCCF-2.50-S
CH80LW	RBC	HCCF-2.50-SH
CH88L	RBC	HCCF-2.75-S
CH88LW	RBC	HCCF-2.75-SH
CH96L	RBC	HCCF-3.00-S
CH96LW	RBC	HCCF-3.00-SH
CH104L	RBC	HCCF-3.25-S
CH104LW	RBC	HCCF-3.25-SH
CH112L	RBC	HCCF-3.50-S
CH112LW	RBC	HCCF-3.50-SH
CH128L	RBC	HCCF-4.00-S
CH128LW	RBC	HCCF-4.00-SH
CH160LW	RBC	HCCF-5.00-SH
CH192LW	RBC	HCCF-6.00-SH
CH224LW	RBC	HCCF-7.00-SH
CLRY-1-1/2	Os	CTRY-1.50
CLRY-1-3/4	Os	CTRY-1.75
CLRY-2	Os	CTRY-2.00
CLRY-2-1/4	Os	CTRY-2.25
CLRY-2-1/2	Os	CTRY-2.50E
CLRY-2-1/2-7	Os	CTRY-2.50
CLRY-3	Os	CTRY-3.00
CLRY-3-1/4	Os	CTRY-3.25
CLRY-3-1/2	Os	CTRY-3.50
CLRY-4	Os	CTRY-4.00
CLRY-5	Os	CTRY-5.00
CLRY-6	Os	CTRY-6.00
CLRY-7	Os	CTRY-7.00
CLRY-8	Os	CTRY-8.00
CLRY-9	Os	CTRY-9.00
CLRY-10	Os	CTRY-10.00

Industry Cross Reference		PGI
CFE 2 3/4 SB	McG	SCFE-2.75-SH
CFE 3 S	McG	SCFE-3.00-S
CFE 3 SB	McG	SCFE-3.00-SH
CFE 3 1/4 S	McG	SCFE-3.25-S
CFE 3 1/4 SB	McG	SCFE-3.25-SH
CFE 3 1/2 S	McG	SCFE-3.50-S
CFE 3 1/2 SB	McG	SCFE-3.50-SH
CFE 4 S	McG	SCFE-4.00-S
CFE 4 SB	McG	SCFE-4.00-SH
CFH 2 S	McG	HCF-2.00-S
CFH 2 SB	McG	HCF-2.00-SH
CFH 2 1/4 S	McG	HCF-2.25-S
CFH 2 1/4 SB	McG	HCF-2.25-SH
CFH 2 1/2 S	McG	HCF-2.50-S
CFH 2 1/2 SB	McG	HCF-2.50-SH
CFH 2 3/4 S	McG	HCF-2.75-S
CFH 2 3/4 SB	McG	HCF-2.75-SH
CFH 3 S	McG	HCF-3.00-S
CFH 3 SB	McG	HCF-3.00-SH
CFH 3 1/4 S	McG	HCF-3.25-S
CFH 3 1/4 SB	McG	HCF-3.25-SH
CFH 3 1/2 S	McG	HCF-3.50-S
CFH 3 1/2 SB	McG	HCF-3.50-SH
CFH 4 S	McG	HCF-4.00-S
CFH 4 SB	McG	HCF-4.00-SH
CFH 5 SB	McG	HCF-5.00-SH
CFH 6 SB	McG	HCF-6.00-SH
CFH 7 SB	McG	HCF-7.00-SH
CH64L	RBC	HCCF-2.00-S
CH64LW	RBC	HCCF-2.00-SH
CH72L	RBC	HCCF-2.25-S
CH72LW	RBC	HCCF-2.25-SH
CH80L	RBC	HCCF-2.50-S
CH80LW	RBC	HCCF-2.50-SH
CH88L	RBC	HCCF-2.75-S
CH88LW	RBC	HCCF-2.75-SH
CH96L	RBC	HCCF-3.00-S
CH96LW	RBC	HCCF-3.00-SH
CH104L	RBC	HCCF-3.25-S
CH104LW	RBC	HCCF-3.25-SH
CH112L	RBC	HCCF-3.50-S
CH112LW	RBC	HCCF-3.50-SH
CH128L	RBC	HCCF-4.00-S
CH128LW	RBC	HCCF-4.00-SH
CH160LW	RBC	HCCF-5.00-SH
CH192LW	RBC	HCCF-6.00-SH
CH224LW	RBC	HCCF-7.00-SH
CLRY-1-1/2	Os	CTRY-1.50
CLRY-1-3/4	Os	CTRY-1.75
CLRY-2	Os	CTRY-2.00
CLRY-2-1/4	Os	CTRY-2.25
CLRY-2-1/2	Os	CTRY-2.50E
CLRY-2-1/2-7	Os	CTRY-2.50
CLRY-3	Os	CTRY-3.00
CLRY-3-1/4	Os	CTRY-3.25
CLRY-3-1/2	Os	CTRY-3.50
CLRY-4	Os	CTRY-4.00
CLRY-5	Os	CTRY-5.00
CLRY-6	Os	CTRY-6.00
CLRY-7	Os	CTRY-7.00
CLRY-8	Os	CTRY-8.00
CLRY-9	Os	CTRY-9.00
CLRY-10	Os	CTRY-10.00

Industry Cross Reference		PGI
CRBC 2	RBC	CDC-2.00
CRBC 2 1/4	RBC	CDC-2.25
CRBC 2 1/2	RBC	CDC-2.50
CRBC 2 3/4	RBC	CDC-2.75
CRBC 3	RBC	CDC-3.00
CRBC 3 1/4	RBC	CDC-3.25
CRBC 3 1/2	RBC	CDC-3.50
CRBC 4	RBC	CDC-4.00
CRBC 5	RBC	CDC-5.00
CRBC 6	RBC	CDC-6.00
CRBC 7	RBC	CDC-7.00
CRBC 8	RBC	CDC-8.00
CRBC 9	RBC	CDC-9.00
CRBC 10	RBC	CDC-10.00
CRBY 2	RBC	CDCY-2.00
CRBY 2 1/4	RBC	CDCY-2.25
CRBY 2 1/2	RBC	CDCY-2.50
CRBY 2 3/4	RBC	CDCY-2.75
CRBY 3	RBC	CDCY-3.00
CRBY 3 1/4	RBC	CDCY-3.25
CRBY 3 1/2	RBC	CDCY-3.50
CRBY 4	RBC	CDCY-4.00
CRBY 5	RBC	CDCY-5.00
CRBY 6	RBC	CDCY-6.00
CRBY 7	RBC	CDCY-7.00
CRBY 8	RBC	CDCY-8.00
CRBY 9	RBC	CDCY-9.00
CRBY 10	RBC	CDCY-10.00
CRS-32	Kyo	SCF-2.00-S
CRS-36	Kyo	SCF-2.25-S
CRS-40	Kyo	SCF-2.50-S
CRS-44	Kyo	SCF-2.75-S
CRS-48	Kyo	SCF-3.00-S
CRS-52	Kyo	SCF-3.25-S
CRS-56	Kyo	SCF-3.50-S
CRS-64	Kyo	SCF-4.00-S
CRSB-32	Kyo	SCF-2.00-SH
CRSB-36	Kyo	SCF-2.25-SH
CRSB-40	Kyo	SCF-2.50-SH
CRSB-44	Kyo	SCF-2.75-SH
CRSB-48	Kyo	SCF-3.00-SH
CRSB-52	Kyo	SCF-3.25-SH
CRSB-56	Kyo	SCF-3.50-SH
CRSB-64	Kyo	SCF-4.00-SH
CRSB-80	Kyo	SCF-5.00-SH
CRSB-96	Kyo	SCF-6.00-SH
CRSBC-32	Kyo	SCCF-2.00-SH
CRSBC-36	Kyo	SCCF-2.25-SH
CRSBC-40	Kyo	SCCF-2.50-SH
CRSBC-44	Kyo	SCCF-2.75-SH
CRSBC-48	Kyo	SCCF-3.00-SH
CRSBC-52	Kyo	SCCF-3.25-SH
CRSBC-56	Kyo	SCCF-3.50-SH
CRSBC-64	Kyo	SCCF-4.00-SH
CRSBC-80	Kyo	SCCF-5.00-SH
CRSBC-96	Kyo	SCCF-6.00-SH
CRSBCE-32	Kyo	SCCFE-2.00-SH
CRSBCE-36	Kyo	SCCFE-2.25-SH
CRSBCE-40	Kyo	SCCFE-2.50-SH
CRSBCE-44	Kyo	SCCFE-2.75-SH
CRSBCE-48	Kyo	SCCFE-3.00-SH
CRSBCE-52	Kyo	SCCFE-3.25-SH
CRSBCE-56	Kyo	SCCFE-3.50-SH

# Cross Reference Charts

In Alphabetical Order by Reference Number



(989)358-6148  
www.pcimfg.com

Industry Cross Reference		PGI
CRSBCE-64	Kyo	SCCFE-4.00-SH
CRSBE-32	Kyo	SCFE-2.00-SH
CRSBE-36	Kyo	SCFE-2.25-SH
CRSBE-40	Kyo	SCFE-2.50-SH
CRSBE-44	Kyo	SCFE-2.75-SH
CRSBE-48	Kyo	SCFE-3.00-SH
CRSBE-52	Kyo	SCFE-3.25-SH
CRSBE-56	Kyo	SCFE-3.50-SH
CRSBE-64	Kyo	SCFE-4.00-SH
CRSC-32	Kyo	SCCF-2.00-S
CRSC-36	Kyo	SCCF-2.25-S
CRSC-40	Kyo	SCCF-2.50-S
CRSC-44	Kyo	SCCF-2.75-S
CRSC-48	Kyo	SCCF-3.00-S
CRSC-52	Kyo	SCCF-3.25-S
CRSC-56	Kyo	SCCF-3.50-S
CRSC-64	Kyo	SCCF-4.00-S
CRSCE-32	Kyo	SCCFE-2.00-S
CRSCE-36	Kyo	SCCFE-2.25-S
CRSCE-40	Kyo	SCCFE-2.50-S
CRSCE-44	Kyo	SCCFE-2.75-S
CRSCE-48	Kyo	SCCFE-3.00-S
CRSCE-52	Kyo	SCCFE-3.25-S
CRSCE-56	Kyo	SCCFE-3.50-S
CRSCE-64	Kyo	SCCFE-4.00-S
CRSE-32	Kyo	SCFE-2.00-S
CRSE-36	Kyo	SCFE-2.25-S
CRSE-40	Kyo	SCFE-2.50-S
CRSE-44	Kyo	SCFE-2.75-S
CRSE-48	Kyo	SCFE-3.00-S
CRSE-52	Kyo	SCFE-3.25-S
CRSE-56	Kyo	SCFE-3.50-S
CRSE-64	Kyo	SCFE-4.00-S
CS64L	RBC	SCCF-2.00-S
CS64LWX	RBC	SCCFE-2.00-SH
CS64LWX	RBC	SCCFE-2.00-SH
CS72L	RBC	SCCF-2.25-S
CS72LWX	RBC	SCCF-2.25-SH
CS72LWX	RBC	SCCFE-2.25-SH
CS80L	RBC	SCCF-2.50-S
CS80LWX	RBC	SCCFE-2.50-SH
CS80LWX	RBC	SCCFE-2.50-SH
CS88L	RBC	SCCF-2.75-S
CS88LWX	RBC	SCCFE-2.75-SH
CS88LWX	RBC	SCCFE-2.75-SH
CS96L	RBC	SCCF-3.00-S
CS96LWX	RBC	SCCF-3.00-SH
CS96LWX	RBC	SCCFE-3.00-SH
CS104L	RBC	SCCF-3.25-S
CS104LWX	RBC	SCCF-3.25-SH
CS104LWX	RBC	SCCFE-3.25-SH
CS112L	RBC	SCCF-3.50-S
CS112LWX	RBC	SCCF-3.50-SH
CS112LWX	RBC	SCCFE-3.50-SH
CS128L	RBC	SCCF-4.00-S
CS128LWX	RBC	SCCFE-4.00-SH
CS128LWX	RBC	SCCFE-4.00-SH
CS160LWX	RBC	SCCF-5.00-SH
CS192LWX	RBC	SCCF-6.00-SH
CS224LWX	RBC	SCCF-7.00-SH
CY64L	RBC	YCCF-2.00-S
CY72L	RBC	YCCF-2.25-S
CY80L	RBC	YCCF-2.50-S

Industry Cross Reference		PGI
CY88L	RBC	YCCF-2.75-S
CY96L	RBC	YCCF-3.00-S
CY104L	RBC	YCCF-3.25-S
CY112L	RBC	YCCF-3.50-S
CY128L	RBC	YCCF-4.00-S
CY160L	RBC	YCCF-5.00-S
CY192L	RBC	YCCF-6.00-S
CY224L	RBC	YCCF-7.00-S
CYR 2 S	McG	YCF-2.00-S
CYR 2 1/4 S	McG	YCF-2.25-S
CYR 2 1/2 S	McG	YCF-2.50-S
CYR 2 3/4 S	McG	YCF-2.75-S
CYR 3 S	McG	YCF-3.00-S
CYR 3 1/4 S	McG	YCF-3.25-S
CYR 3 1/2 S	McG	YCF-3.50-S
CYR 4 S	McG	YCF-4.00-S
CYR 5 S	McG	YCF-5.00-S
CYR 6 S	McG	YCF-6.00-S
CYR 7 S	McG	YCF-7.00-S
CYR 8 S	McG	YCF-8.00-S
CYR 9 S	McG	YCF-9.00-S
CYR 10 S	McG	YCF-10.00-S
CYRD 3	McG	PDCY-3.00
CYRD 3 1/4	McG	PDCY-3.25
CYRD 3 1/2	McG	PDCY-3.50
CYRD 4	McG	PDCY-4.00
CYRD 5	McG	PDCY-5.00
CYRD 6	McG	PDCY-6.00
FCF 1 1/2	McG	FTR-1.50
FCF 1 3/4	McG	FTR-1.75
FCF 2	McG	FTR-2.00
FCF 2 1/4	McG	FTR-2.25
FCF 2 1/2	McG	FTR-2.50
FCF 2 3/4	McG	FTR-2.75
FCF 3	McG	FTR-3.00
FCF 3 1/4	McG	FTR-3.25
FCF 3 1/2	McG	FTR-3.50
FCF 4	McG	FTR-4.00
FCF 4 1/2	McG	FTR-4.50
FCF 5	McG	FTR-5.00
FCF 6	McG	FTR-6.00
FCF 7	McG	FTR-7.00
FCF 8	McG	FTR-8.00
FCFE 1 1/2	McG	FTRE-1.50
FCFE 1 3/4	McG	FTRE-1.75
FCFE 2	McG	FTRE-2.00
FCFE 2 1/4	McG	FTRE-2.25
FCFE 2 1/2	McG	FTRE-2.50
FCFE 2 3/4	McG	FTRE-2.75
FCFE 3	McG	FTRE-3.00
FCFE 3 1/4	McG	FTRE-3.25
FCFE 3 1/2	McG	FTRE-3.50
FCFE 4	McG	FTRE-4.00
FCYR 3	McG	FTRY-3.00
FCYR 3 1/4	McG	FTRY-3.25
FCYR 3 1/2	McG	FTRY-3.50
FCYR 4	McG	FTRY-4.00
FCYR 4 1/2	McG	FTRY-4.50
FCYR 5	McG	FTRY-5.00
FCYR 6	McG	FTRY-6.00
FFLR-1-1/2-4	Osb	FFTR-1.50
FFLR-2-1/2-4	Osb	FFTR-2.50
FFLR-2-4	Osb	FFTR-2.00

Industry Cross Reference		PGI
FFLR-3-4	Osb	FFTR-3.00
FLR-1	Osb	FTR-1.00
FLR-1-1/8	Osb	FTR-1.125
FLR-1-1/4	Osb	FTR-1.25
FLR-1-3/8	Osb	FTR-1.375
FLR-1-1/2	Osb	FTR-1.50
FLR-1-1/2-2	Osb	FTR-1.50-2
FLR-1-3/4	Osb	FTR-1.75
FLR-2	Osb	FTR-2.00
FLR-2-1/4	Osb	FTR-2.25
FLR-2-1/2	Osb	FTR-2.50
FLR-2-1/2-1	Osb	FTR-2.50E
FLR-2-3/4	Osb	FTR-2.75
FLR-3	Osb	FTR-3.00
FLR-3-1/4	Osb	FTR-3.25
FLR-3-1/2	Osb	FTR-3.50
FLR-4	Osb	FTR-4.00
FLR-4-1/2	Osb	FTR-4.50
FLR-5	Osb	FTR-5.00
FLR-6	Osb	FTR-6.00
FLR-7	Osb	FTR-7.00
FLR-8	Osb	FTR-8.00
FLRC-2-1/2	Osb	CIR-3.00-1
FLRC-3	Osb	CIR-4.00-1
FLRC-4	Osb	CIR-5.00E-1
FLRCE-2-1/2	Osb	CIRE-3.00-1
FLRCE-3	Osb	CIRE-4.00-1
FLRCE-4	Osb	CIRE-5.00E-1
FLRE-1	Osb	FTRE-1.00
FLRE-1-1/8	Osb	FTRE-1.125
FLRE-1-1/4	Osb	FTRE-1.25
FLRE-1-3/8	Osb	FTRE-1.375
FLRE-1-1/2	Osb	FTRE-1.50
FLRE-1-3/4	Osb	FTRE-1.75
FLRE-2	Osb	FTRE-2.00
FLRE-2-1/4	Osb	FTRE-2.25
FLRE-2-1/2	Osb	FTRE-2.50
FLRE-2-1/2-4	Osb	FTRE-2.50E
FLRE-2-3/4	Osb	FTRE-2.75
FLRE-3	Osb	FTRE-3.00
FLRE-3-1/4	Osb	FTRE-3.25
FLRE-3-1/2	Osb	FTRE-3.50
FLRE-4	Osb	FTRE-4.00
FLRE-4-1/2	Osb	FTRE-4.50
FLRE-5	Osb	FTRE-5.00
FLRE-6	Osb	FTRE-6.00
FLRH-1	Osb	FTR-1.00-HT
FLRH-1-1/4	Osb	FTR-1.25-HT
FLRH-1-1/2	Osb	FTR-1.50-HT
FLRH-2	Osb	FTR-2.00-HT
FLRH-2-1/2	Osb	FTR-2.50-HT
FLRY-1-1/2	Osb	FTRY-1.50
FLRY-1-3/4	Osb	FTRY-1.75
FLRY-2	Osb	FTRY-2.00
FLRY-2-1/4	Osb	FTRY-2.25
FLRY-2-1/2	Osb	FTRY-2.50E
FLRY-2-1/2-7	Osb	FTRY-2.50
FLRY-2-3/4-7	Osb	FTRY-2.75
FLRY-3	Osb	FTRY-3.00
FLRY-3-1/4	Osb	FTRY-3.25
FLRY-3-1/2	Osb	FTRY-3.50
FLRY-4	Osb	FTRY-4.00
FLRY-5	Osb	FTRY-5.00

Industry Cross Reference		PGI
FLRY-6	Osb	FTRY-6.00
FLRY-7	Osb	FTRY-7.00
FLRY-8	Osb	FTRY-8.00
FLRY-9	Osb	FTRY-9.00
FLRY-10	Osb	FTRY-10.00
H64L	RBC	HCF-2.00-S
H64LWX	RBC	HCF-2.00-SH
H72L	RBC	HCF-2.25-S
H72LWX	RBC	HCF-2.25-SH
H80L	RBC	HCF-2.50-S
H80LWX	RBC	HCF-2.50-SH
H88L	RBC	HCF-2.75-S
H88LWX	RBC	HCF-2.75-SH
H96L	RBC	HCF-3.00-S
H96LWX	RBC	HCF-3.00-SH
H104L	RBC	HCF-3.25-S
H104LWX	RBC	HCF-3.25-SH
H112L	RBC	HCF-3.50-S
H112LWX	RBC	HCF-3.50-SH
H128L	RBC	HCF-4.00-S
H128LWX	RBC	HCF-4.00-SH
H160LWX	RBC	HCF-5.00-SH
H192LWX	RBC	HCF-6.00-SH
H224LWX	RBC	HCF-7.00-SH
HPC-26	Osb	MPTR-26
HPC-30	Osb	MPTR-30
HPC-32	Osb	MPTR-32
HPC-35	Osb	MPTR-35
HPC-40	Osb	MPTR-40
HPC-40-1	Osb	MPTR-40-1
HPC-47	Osb	MPTR-47
HPC-50	Osb	MPTR-50
HPC-52	Osb	MPTR-52
HPC-62	Osb	MPTR-62
HPC-62-1	Osb	MPTR-62-1
HPC-72	Osb	MPTR-72
HPC-76	Osb	MPTR-76
HPC-80	Osb	MPTR-80
HPC-85	Osb	MPTR-85
HPC-90	Osb	MPTR-90
HPC-100	Osb	MPTR-100
HPC-100-1	Osb	MPTR-100-1
HPC-125	Osb	MPTR-125
HPC-150	Osb	MPTR-150
HPC-200	Osb	MPTR-200
HPCA-40	Osb	MPTRY-40
HPCA-50	Osb	MPTRY-50
HPCA-62	Osb	MPTRY-62
HPCA-62-2	Osb	MPTRY-62-1
HPCA-76	Osb	MPTRY-76
HPCA-80	Osb	MPTRY-80
HPCA-85	Osb	MPTRY-85
HPCA-90	Osb	MPTRY-90
HPCA-100	Osb	MPTRY-100
HPCA-125	Osb	MPTRY-125
HPCA-150	Osb	MPTRY-150
HPCA-200	Osb	MPTRY-200
HPCA-250	Osb	MPTRY-250
HPCE-26	Osb	MPTRE-26
HPCE-30	Osb	MPTRE-30
HPCE-32	Osb	MPTRE-32
HPCE-35	Osb	MPTRE-35
HPCE-40-1	Osb	MPTRE-40-1

# Cross Reference Charts

In Alphabetical Order by Reference Number



(989)358-6148  
www.pcimfg.com

Industry Cross Reference		PGI
HPCE-47	Osb	<b>MPTRE-47</b>
HPCE-50	Osb	<b>MPTRE-50</b>
HPCE-52	Osb	<b>MPTRE-52</b>
HPCE-62	Osb	<b>MPTRE-62</b>
HPCE-62-1	Osb	<b>MPTRE-62-1</b>
HPCE-72	Osb	<b>MPTRE-72</b>
HPCE-76-1	Osb	<b>MPTRE-76-1</b>
HPCE-80	Osb	<b>MPTRE-80</b>
HPCE-85	Osb	<b>MPTRE-85</b>
HPCE-90	Osb	<b>MPTRE-90</b>
HPCE-100	Osb	<b>MPTRE-100</b>
HPCE-125	Osb	<b>MPTRE-125</b>
HPCE-150	Osb	<b>MPTRE-150</b>
HPJ-26	Osb	<b>MFTR-26</b>
HPJ-30	Osb	<b>MFTR-30</b>
HPJ-32	Osb	<b>MFTR-32</b>
HPJ-35	Osb	<b>MFTR-35</b>
HPJ-40	Osb	<b>MFTR-40</b>
HPJ-40-1	Osb	<b>MFTR-40-1</b>
HPJ-47	Osb	<b>MFTR-47</b>
HPJ-50	Osb	<b>MFTR-50</b>
HPJ-52	Osb	<b>MFTR-52</b>
HPJ-62	Osb	<b>MFTR-62</b>
HPJ-62-2	Osb	<b>MFTR-62-1</b>
HPJ-72	Osb	<b>MFTR-72</b>
HPJ-76	Osb	<b>MFTR-76</b>
HPJ-80	Osb	<b>MFTR-80</b>
HPJ-85	Osb	<b>MFTR-85</b>
HPJ-90	Osb	<b>MFTR-90</b>
HPJ-100	Osb	<b>MFTR-100</b>
HPJ-100-1	Osb	<b>MFTR-100-1</b>
HPJ-125	Osb	<b>MFTR-125</b>
HPJ-150	Osb	<b>MFTR-150</b>
HPJ-200	Osb	<b>MFTR-200</b>
HPJA-40	Osb	<b>MFTRY-40</b>
HPJA-50	Osb	<b>MFTRY-50</b>
HPJA-62	Osb	<b>MFTRY-62</b>
HPJA-62-2	Osb	<b>MFTRY-62-1</b>
HPJA-76	Osb	<b>MFTRY-76</b>
HPJA-80	Osb	<b>MFTRY-80</b>
HPJA-85	Osb	<b>MFTRY-85</b>
HPJA-90	Osb	<b>MFTRY-90</b>
HPJA-100	Osb	<b>MFTRY-100</b>
HPJA-125	Osb	<b>MFTRY-125</b>
HPJA-150	Osb	<b>MFTRY-150</b>
HPJA-200	Osb	<b>MFTRY-200</b>
HPJA-250	Osb	<b>MFTRY-250</b>
HPJE-26	Osb	<b>MFTR-26</b>
HPJE-30	Osb	<b>MFTR-30</b>
HPJE-32	Osb	<b>MFTR-32</b>
HPJE-35	Osb	<b>MFTR-35</b>
HPJE-40-1	Osb	<b>MFTR-40-1</b>
HPJE-50	Osb	<b>MFTR-50</b>
HPJE-52	Osb	<b>MFTR-52</b>
HPJE-62-1	Osb	<b>MFTR-62-1</b>
HPJE-76	Osb	<b>MFTR-76</b>
HPJE-90	Osb	<b>MFTR-90</b>
HPJE-100	Osb	<b>MFTR-100</b>
HPJE-125	Osb	<b>MFTR-125</b>
HPJE-150	Osb	<b>MFTR-150</b>
HPV-26	Osb	<b>MVTR-26</b>
HPV-32	Osb	<b>MVTR-32</b>
HPV-40	Osb	<b>MVTR-40</b>

Industry Cross Reference		PGI
HPV-62	Osb	<b>MVTR-62</b>
HPV-62-1	Osb	<b>MVTR-62-1</b>
HPV-76	Osb	<b>MVTR-76</b>
HPV-100	Osb	<b>MVTR-100</b>
HPV-100-1	Osb	<b>MVTR-100-1</b>
HPV-125	Osb	<b>MVTR-125</b>
HPVA-40	Osb	<b>MVTRY-40</b>
HPVA-50	Osb	<b>MVTRY-50</b>
HPVA-62	Osb	<b>MVTRY-62</b>
HPVA-62-2	Osb	<b>MVTRY-62-1</b>
HPVA-76	Osb	<b>MVTRY-76</b>
HPVA-100	Osb	<b>MVTRY-100</b>
HPVA-125	Osb	<b>MVTRY-125</b>
HPVA-150	Osb	<b>MVTRY-150</b>
HPVA-200	Osb	<b>MVTRY-200</b>
HPVA-250	Osb	<b>MVTRY-250</b>
HPVE-26	Osb	<b>MVTRE-26</b>
HPVE-32	Osb	<b>MVTRE-32</b>
HPVE-40	Osb	<b>MVTRE-40</b>
HPVE-62	Osb	<b>MVTRE-62</b>
HPVE-62-1	Osb	<b>MVTRE-62-1</b>
HPVE-76	Osb	<b>MVTRE-76</b>
HPVE-100	Osb	<b>MVTRE-100</b>
HPVE-125	Osb	<b>MVTRE-125</b>
MSHA-10	Osb	<b>MYSH-10</b>
MSHA-15	Osb	<b>MYSH-15</b>
MSHA-20	Osb	<b>MYSH-20</b>
MSHA-25	Osb	<b>MYSH-25</b>
MSHA-30	Osb	<b>MYSH-30</b>
MSHA-45	Osb	<b>MYSH-45</b>
MSHA-55	Osb	<b>MYSH-55</b>
MSHA-70	Osb	<b>MYSH-70</b>
NCF-25B	Osb	<b>SCF-2.00-SH</b>
NCF-2-1/25B	Osb	<b>SCF-2.50-SH</b>
NCF-35B	Osb	<b>SCF-3.00-SH</b>
NCFE-25B	Osb	<b>SCFE-2.00-SH</b>
NCFE-2-1/25B	Osb	<b>SCFE-2.50-SH</b>
NCFE-35B	Osb	<b>SCFE-3.00-SH</b>
NCFY-25	Osb	<b>YCF-2.00-S</b>
NCFY-2-1/45	Osb	<b>YCF-2.25-S</b>
NCFY-2-1/25	Osb	<b>YCF-2.50-S</b>
NCFY-35	Osb	<b>YCF-3.00-S</b>
NCFY-45	Osb	<b>YCF-3.25-S</b>
PCF-1 1/2	McG	<b>PTR-1.50</b>
PCF-1 3/4	McG	<b>PTR-1.75</b>
PCF-2	McG	<b>PTR-2.00</b>
PCF-2 1/4	McG	<b>PTR-2.25</b>
PCF-2 1/2	McG	<b>PTR-2.50</b>
PCF-2 3/4	McG	<b>PTR-2.75</b>
PCF-3	McG	<b>PTR-3.00</b>
PCF-3 1/4	McG	<b>PTR-3.25</b>
PCF-3 1/2	McG	<b>PTR-3.50</b>
PCF-4	McG	<b>PTR-4.00</b>
PCF-4 1/2	McG	<b>PTR-4.50</b>
PCF-5	McG	<b>PTR-5.00</b>
PCF-6	McG	<b>PTR-6.00</b>
PCF-7	McG	<b>PTR-7.00</b>
PCF-8	McG	<b>PTR-8.00</b>
PCFE-1 1/2	McG	<b>PTRE-1.50</b>
PCFE-1 3/4	McG	<b>PTRE-1.75</b>
PCFE-2	McG	<b>PTRE-2.00</b>
PCFE-2 1/4	McG	<b>PTRE-2.25</b>
PCFE-2 1/2	McG	<b>PTRE-2.50</b>

Industry Cross Reference		PGI
PCFE-2 3/4	McG	<b>PTRE-2.75</b>
PCFE-3	McG	<b>PTRE-3.00</b>
PCFE-3 1/4	McG	<b>PTRE-3.25</b>
PCFE-3 1/2	McG	<b>PTRE-3.50</b>
PCFE-4	McG	<b>PTRE-4.00</b>
PCFE-4 1/2	McG	<b>PTRE-4.50</b>
PCFE-5	McG	<b>PTRE-5.00</b>
PCFE-6	McG	<b>PTRE-6.00</b>
PCYR-3	McG	<b>PTRY-3.00</b>
PCYR-3 1/2	McG	<b>PTRY-3.50</b>
PCYR-4	McG	<b>PTRY-4.00</b>
PCYR-4 1/2	McG	<b>PTRY-4.50</b>
PCYR-5	McG	<b>PTRY-5.00</b>
PCYR-6	McG	<b>PTRY-6.00</b>
PLR-1	Osb	<b>PTR-1.00</b>
PLR-1-1/8	Osb	<b>PTR-1.125</b>
PLR-1-1/4	Osb	<b>PTR-1.25</b>
PLR-1-3/8	Osb	<b>PTR-1.375</b>
PLR-1-1/2	Osb	<b>PTR-1.50</b>
PLR-1-3/4	Osb	<b>PTR-1.75</b>
PLR-1-3/4-5	Osb	<b>PTR-1.75-5</b>
PLR-2	Osb	<b>PTR-2.00</b>
PLR-2-3	Osb	<b>PTR-2.00-2</b>
PLR-2-1/4	Osb	<b>PTR-2.25</b>
PLR-2-1/2	Osb	<b>PTR-2.50</b>
PLR-2-1/2-10	Osb	<b>PTR-2.50-1</b>
PLR-2-1/2-16	Osb	<b>PTR-2.50E</b>
PLR-2-3/4	Osb	<b>PTR-2.75</b>
PLR-3	Osb	<b>PTR-3.00</b>
PLR-3-1/4	Osb	<b>PTR-3.25</b>
PLR-3-1/2	Osb	<b>PTR-3.50</b>
PLR-4	Osb	<b>PTR-4.00</b>
PLR-4-1/2	Osb	<b>PTR-4.50</b>
PLR-5	Osb	<b>PTR-5.00</b>
PLR-6	Osb	<b>PTR-6.00</b>
PLR-7	Osb	<b>PTR-7.00</b>
PLR-8	Osb	<b>PTR-8.00</b>
PLR-10	Osb	<b>PTR-10.00</b>
PLR-10-1	Osb	<b>PTR-10.00-8</b>
PLRE-1	Osb	<b>PTRE-1.00</b>
PLRE-1-1/8	Osb	<b>PTRE-1.125</b>
PLRE-1-1/4	Osb	<b>PTRE-1.25</b>
PLRE-1-3/8	Osb	<b>PTRE-1.375</b>
PLRE-1-1/2	Osb	<b>PTRE-1.50</b>
PLRE-1-3/4	Osb	<b>PTRE-1.75</b>
PLRE-2	Osb	<b>PTRE-2.00</b>
PLRE-2-3	Osb	<b>PTRE-2.00-2</b>
PLRE-2-1/4	Osb	<b>PTRE-2.25</b>
PLRE-2-1/2	Osb	<b>PTRE-2.50</b>
PLRE-2-1/2-7	Osb	<b>PTRE-2.50E</b>
PLRE-2-3/4	Osb	<b>PTRE-2.75</b>
PLRE-3	Osb	<b>PTRE-3.00</b>
PLRE-3-1/4	Osb	<b>PTRE-3.25</b>
PLRE-3-1/2	Osb	<b>PTRE-3.50</b>
PLRE-4	Osb	<b>PTRE-4.00</b>
PLRE-4-1/2	Osb	<b>PTRE-4.50</b>
PLRE-5	Osb	<b>PTRE-5.00</b>
PLRE-6	Osb	<b>PTRE-6.00</b>
PLRH-1	Osb	<b>PTR-1.00-HT</b>
PLRH-1-1/4	Osb	<b>PTR-1.25-HT</b>
PLRH-1-1/2	Osb	<b>PTR-1.50-HT</b>
PLRH-2	Osb	<b>PTR-2.00-HT</b>
PLRH-2-1/2	Osb	<b>PTR-2.50-HT</b>

Industry Cross Reference		PGI
PLRN-1	Osb	<b>NPTR-1.00</b>
PLRN-1-1/4	Osb	<b>NPTR-1.25</b>
PLRN-1-1/2	Osb	<b>NPTR-1.50</b>
PLRN-2	Osb	<b>NPTR-2.00</b>
PLRN-2-1/2	Osb	<b>NPTR-2.50</b>
PLRNE-1	Osb	<b>NPTRE-1.00</b>
PLRNE-1-1/4	Osb	<b>NPTRE-1.25</b>
PLRNE-1-1/2	Osb	<b>NPTRE-1.50</b>
PLRNE-2	Osb	<b>NPTRE-2.00</b>
PLRNE-2-1/2	Osb	<b>NPTRE-2.50</b>
PLRY-1-1/2	Osb	<b>PTRY-1.50</b>
PLRY-1-3/4	Osb	<b>PTRY-1.75</b>
PLRY-2	Osb	<b>PTRY-2.00</b>
PLRY-2-1/4	Osb	<b>PTRY-2.25</b>
PLRY-2-1/2	Osb	<b>PTRY-2.50E</b>
PLRY-2-1/2-7	Osb	<b>PTRY-2.50</b>
PLRY-3	Osb	<b>PTRY-3.00</b>
PLRY-3-1/4	Osb	<b>PTRY-3.25</b>
PLRY-3-1/2	Osb	<b>PTRY-3.50</b>
PLRY-4	Osb	<b>PTRY-4.00</b>
PLRY-5	Osb	<b>PTRY-5.00</b>
PLRY-6	Osb	<b>PTRY-6.00</b>
PLRY-7	Osb	<b>PTRY-7.00</b>
PLRY-8	Osb	<b>PTRY-8.00</b>
PLRY-9	Osb	<b>PTRY-9.00</b>
PLRY-10	Osb	<b>PTRY-10.00</b>
RBC 2	RBC	<b>PDC-2.00</b>
RBC 2 1/4	RBC	<b>PDC-2.25</b>
RBC 2 1/2	RBC	<b>PDC-2.50</b>
RBC 2 3/4	RBC	<b>PDC-2.75</b>
RBC 3	RBC	<b>PDC-3.00</b>
RBC 3 1/4	RBC	<b>PDC-3.25</b>
RBC 3 1/2	RBC	<b>PDC-3.50</b>
RBC 4	RBC	<b>PDC-4.00</b>
RBC 5	RBC	<b>PDC-5.00</b>
RBC 6	RBC	<b>PDC-6.00</b>
RBC 7	RBC	<b>PDC-7.00</b>
RBC 8	RBC	<b>PDC-8.00</b>
RBC 9	RBC	<b>PDC-9.00</b>
RBC 10	RBC	<b>PDC-10.00</b>
RB3	RBC	<b>PCDY-3.00</b>
RB3 1/4	RBC	<b>PCDY-3.25</b>
RB3 1/2	RBC	<b>PCDY-3.50</b>
RB4	RBC	<b>PCDY-4.00</b>
RB5	RBC	<b>PCDY-5.00</b>
RB6	RBC	<b>PCDY-6.00</b>
RB7	RBC	<b>PCDY-7.00</b>
RB8	RBC	<b>PCDY-8.00</b>
RB9	RBC	<b>PCDY-9.00</b>
RB10	RBC	<b>PCDY-10.00</b>
S64L	RBC	<b>SCF-2.00-S</b>
S64LW	RBC	<b>SCF-2.00-SH</b>
S72L	RBC	<b>SCF-2.25-S</b>
S72LW	RBC	<b>SCF-2.25-SH</b>
S72LWX	RBC	<b>SCF-2.25-SH</b>
S80L	RBC	<b>SCF-2.50-S</b>
S80LW	RBC	<b>SCF-2.50-SH</b>
S80LWX	RBC	<b>SCF-2.50-SH</b>
S88L	RBC	<b>SCF-2.75-S</b>
S88LW	RBC	<b>SCF-2.75-SH</b>
S88LWX	RBC	<b>SCF-2.75-SH</b>
S96L	RBC	<b>SCF-3.00-S</b>

# Cross Reference Charts

In Alphabetical Order by Reference Number



(989)358-6148

www.pcimfg.com

Industry Cross Reference		
S96LW	RBC	SCF-3.00-SH
S96LWX	RBC	SCFE-3.00-SH
S104L	RBC	SCF-3.25-S
S104LW	RBC	SCF-3.25-SH
S104LWX	RBC	SCFE-3.25-SH
S112L	RBC	SCF-3.50-S
S112LW	RBC	SCF-3.50-SH
S112LWX	RBC	SCFE-3.50-SH
S128L	RBC	SCF-4.00-S
S128LW	RBC	SCF-4.00-SH
S128LWX	RBC	SCFE-4.00-SH
S160LW	RBC	SCF-5.00-SH
S192LW	RBC	SCF-6.00-SH
S224LW	RBC	SCF-7.00-SH
SHA-437	OsB	YSH-.437
SHA-500	OsB	YSH-.500
SHA-625	OsB	YSH-.625
SHA-750	OsB	YSH-.750
SHA-1000	OsB	YSH-1.000
SHA-1125	OsB	YSH-1.125
SHA-1250	OsB	YSH-1.250
SHA-1750	OsB	YSH-1.750
SHA-2250	OsB	YSH-2.250
SHA-2750	OsB	YSH-2.750
SHB-3250	OsB	YSH-3.250
SHB-3750	OsB	YSH-3.750
SHB-4250	OsB	YSH-4.250
SHE-437	OsB	YSHE-.437
SHE-500	OsB	YSHE-.500
SHE-625	OsB	YSHE-.625
SHE-750	OsB	YSHE-.750
SHE-1000	OsB	YSHE-1.000
SHE-1125	OsB	YSHE-1.125
SHE-1250	OsB	YSHE-1.250
SHE-1750	OsB	YSHE-1.750
SHE-2250	OsB	YSHE-2.250
SHE-2750	OsB	YSHE-2.750
VCF-2-1/2	McG	VTR-2.50
VCF-3-1/2	McG	VTR-3.50
VCF-4-1/2	McG	VTR-4.50
VCF-5-1/2	McG	VTR-5.50
VCF-6-1/2	McG	VTR-6.50
VCF-7-1/2	McG	VTR-7.50
VCF-8-1/2	McG	VTR-8.50
VCFE-2-1/2	McG	VTRE-2.50
VCFE-3-1/2	McG	VTRE-3.50
VCFE-4-1/2	McG	VTRE-4.50
VCFE-5-1/2	McG	VTRE-5.50
VCYR-4-1/2	McG	VTRY-4.50
VCYR-5-1/2	McG	VTRY-5.50
VCYR-6-1/2	McG	VTRY-6.50
VLR-1-1/2	OsB	VTR-1.50
VLR-2	OsB	VTR-2.00
VLR-2-1/2	OsB	VTR-2.50
VLR-3-1/2	OsB	VTR-3.50
VLR-3-1/2-16	OsB	VTR-3.50E
VLR-4-1/2	OsB	VTR-4.50
VLR-5-1/2	OsB	VTR-5.50
VLR-6-1/2	OsB	VTR-6.50
VLR-7-1/2	OsB	VTR-7.50
VLR-8-1/2	OsB	VTR-8.50
VLRE-1-1/2	OsB	VTRE-1.50
VLRE-2	OsB	VTRE-2.00

Industry Cross Reference		
VLRE-2-1/2	OsB	VTRE-2.50
VLRE-3-1/2	OsB	VTRE-3.50
VLRE-3-1/2-4	OsB	VTRE-3.50E
VLRE-4-1/2	OsB	VTRE-4.50
VLRE-5-1/2	OsB	VTRE-5.50
VLRE-6-1/2	OsB	VTRE-6.50
VLRE-7-1/2	OsB	VTRE-7.50
VLRH-1-1/2	OsB	VTR-1.50-HT
VLRH-2	OsB	VTR-2.00-HT
VLRH-2-1/2	OsB	VTR-2.50-HT
VTRY-2-1/2	OsB	VTRY-2.50-9
VTRY-3	OsB	VTRY-3.00
VTRY-3-1/2-7	OsB	VTRY-3.50-9
VTRY-3-3/4	OsB	VTRY-3.75
VTRY-4-1/2	OsB	VTRY-4.50
VTRY-5	OsB	VTRY-5.00
VTRY-5-1/2	OsB	VTRY-5.50
VTRY-6-1/2	OsB	VTRY-6.50
VTRY-7-1/2	OsB	VTRY-7.50
VTRY-8-1/2	OsB	VTRY-8.50
VTRY-9-1/2	OsB	VTRY-9.50
VTRY-10-1/2	OsB	VTRY-10.50
VTRY-11-1/2	OsB	VTRY-11.50
Y64L	RBC	YCF-2.00-S
Y72L	RBC	YCF-2.25-S
Y80L	RBC	YCF-2.50-S
Y88L	RBC	YCF-2.75-S
Y96L	RBC	YCF-3.00-S
Y104L	RBC	YCF-3.25-S
Y112L	RBC	YCF-3.50-S
Y128L	RBC	YCF-4.00-S
Y160L	RBC	YCF-5.00-S
Y192L	RBC	YCF-6.00-S
Y224L	RBC	YCF-7.00-S
YCRS-32	Kyo	YCF-2.00-S
YCRS-36	Kyo	YCF-2.25-S
YCRS-40	Kyo	YCF-2.50-S
YCRS-44	Kyo	YCF-2.75-S
YCRS-48	Kyo	YCF-3.00-S
YCRS-52	Kyo	YCF-3.25-S
YCRS-56	Kyo	YCF-3.50-S
YCRS-64	Kyo	YCF-4.00-S
YCRS-80	Kyo	YCF-5.00-S
YCRS-96	Kyo	YCF-6.00-S
YCRSC-32	Kyo	YCCF-2.00-S
YCRSC-36	Kyo	YCCF-2.25-S
YCRSC-40	Kyo	YCCF-2.50-S
YCRSC-44	Kyo	YCCF-2.75-S
YCRSC-48	Kyo	YCCF-3.00-S
YCRSC-52	Kyo	YCCF-3.25-S
YCRSC-56	Kyo	YCCF-3.50-S
YCRSC-64	Kyo	YCCF-4.00-S
YCRSC-80	Kyo	YCCF-5.00-S
YCRSC-96	Kyo	YCCF-6.00-S