

Illustrated Catalog & Technical Manual



SM

Distributor sales only

ISO 9001:2008 registered



Inside

Page

Collars

Set screw	
Inch	4
Metric	6
Single split	
Inch standard	1
Inch heavy	2
Metric	5
Inch threaded standard	3
Double split	
Inch standard	1
Inch heavy	2
Metric	5
Inch threaded standard	3

Couplings

Rigid set screw inch	7
Single split	
Inch	7
Metric	8
Machinable	6
Double split	
Inch	8
Metric	9

Specials

Technical

How to measure	10
Bore tolerances	10
Finishes	10
Keyway dimensions	9
Frequently Asked Questions	3 & 5

800.593.2323 413.785.1650 Fax 877.474.7005

info@collarsandcouplings.com

92 Almgren Drive
Agawam, MA 01001
collarsandcouplings.com

12 Ways You Save with Collars and Couplings

1) **Distributor sales only**

Relax knowing we don't take orders direct. Instead, we refer end users to you

2) **Blind drop shipping encouraged**

Deliver faster than your competitors without paying freight

3) **Instant credit approval**

Get your first order without delay

4) **Employee profit sharing**

Shop where every employee has reason to care about your success

5) **No minimum orders and liberal sampling**

Satisfy your customers without paying a premium

6) **Order online and learn how to save 10%**

View inventory in real time. Order by description.
By your part numbers. By ours. Even by our competitors'

7) **Made-to-print specials - most quoted within 48 hours**

Become the sole source to your customers

8) **RoHS compliant parts available**

Get the parts and certification your customers require

9) **99.9% accuracy and 97.5% service level**

Rely on our error-free, on time, complete orders

10) **Same day shipping - just order by 3 p.m. EST**

Build customer loyalty with consistently on time delivery

11) **100% satisfaction guaranteed**

Order hassle-free. We replace, credit – even refund without question

12) **We accept:**



“We’ve been getting leads from Collars and Couplings for over a year. About 70-80% become orders for Eastern Bearings. They forward names of end-users in our area who’ve seen product on the Collars and Couplings website. Many times, the orders are much larger than our original inquiries.”

Bill Hodgson,
Director of Purchasing
Eastern Bearings Inc.,
Newington, New Hampshire

Standard terms:

1% 10 net 30

Shipping – F.O.B. Agawam

Inch Single & Double Split Collars — Standard



				PART NUMBER						
BORE	OD	WIDTH	CAP SCREW	SINGLE SPLIT COLLARS			DOUBLE SPLIT COLLARS			
				Steel black oxide	Stainless steel	Aluminum	Steel black oxide	Stainless steel	Aluminum	Steel zinc
1/8	1/2	1/4	4-40x3/8	CCI-12-1-S	CCI-12-1-SS		CCI-12-2-S	CCI-12-2-SS		
3/16	5/8	5/16	4-40x3/8	CCI-18-1-S	CCI-18-1-SS		CCI-18-2-S	CCI-18-2-SS		
1/4	11/16	5/16	4-40x3/8	CCI-25-1-S	CCI-25-1-SS	CCI-25-1-AL	CCI-25-2-S	CCI-25-2-SS	CCI-25-2-AL	
5/16	11/16	5/16	4-40x3/8	CCI-31-1-S	CCI-31-1-SS	CCI-31-1-AL	CCI-31-2-S	CCI-31-2-SS	CCI-31-2-AL	
3/8	7/8	11/32	6-32x3/8	CCI-37-1-S	CCI-37-1-SS	CCI-37-1-AL	CCI-37-2-S	CCI-37-2-SS	CCI-37-2-AL	
7/16	15/16	3/8	6-32x3/8	CCI-43-1-S	CCI-43-1-SS		CCI-43-2-S	CCI-43-2-SS		
1/2	1-1/8	13/32	8-32x1/2	CCI-50-1-S	CCI-50-1-SS	CCI-50-1-AL	CCI-50-2-S	CCI-50-2-SS	CCI-50-2-AL	
9/16	1-1/4	7/16	10-32x1/2	CCI-56-1-S	CCI-56-1-SS		CCI-56-2-S	CCI-56-2-SS		
5/8	1-5/16	7/16	10-32x1/2	CCI-62-1-S	CCI-62-1-SS	CCI-62-1-AL	CCI-62-2-S	CCI-62-2-SS	CCI-62-2-AL	
11/16	1-3/8	7/16	10-32x1/2	CCI-68-1-S	CCI-68-1-SS		CCI-68-2-S	CCI-68-2-SS		
3/4	1-1/2	1/2	1/4-28x5/8	CCI-75-1-S	CCI-75-1-SS	CCI-75-1-AL	CCI-75-2-S	CCI-75-2-SS	CCI-75-2-AL	CCI-75-2-Z
13/16	1-5/8	1/2	1/4-28x5/8	CCI-81-1-S	CCI-81-1-SS		CCI-81-2-S	CCI-81-2-SS		
7/8	1-5/8	1/2	1/4-28x5/8	CCI-87-1-S	CCI-87-1-SS	CCI-87-1-AL	CCI-87-2-S	CCI-87-2-SS	CCI-87-2-AL	
15/16	1-3/4	1/2	1/4-28x5/8	CCI-93-1-S	CCI-93-1-SS		CCI-93-2-S	CCI-93-2-SS		
1	1-3/4	1/2	1/4-28x5/8	CCI-100-1-S	CCI-100-1-SS	CCI-100-1-AL	CCI-100-2-S	CCI-100-2-SS	CCI-100-2-AL	CCI-100-2-Z
1-1/16	1-7/8	1/2	1/4-28x5/8	CCI-106-1-S	CCI-106-1-SS		CCI-106-2-S	CCI-106-2-SS		
1-1/8	1-7/8	1/2	1/4-28x5/8	CCI-112-1-S	CCI-112-1-SS	CCI-112-1-AL	CCI-112-2-S	CCI-112-2-SS	CCI-112-2-AL	
1-3/16	2-1/16	1/2	1/4-28x5/8	CCI-118-1-S	CCI-118-1-SS		CCI-118-2-S	CCI-118-2-SS		
1-1/4	2-1/16	1/2	1/4-28x5/8	CCI-125-1-S	CCI-125-1-SS	CCI-125-1-AL	CCI-125-2-S	CCI-125-2-SS	CCI-125-2-AL	CCI-125-2-Z
1-5/16	2-1/8	9/16	1/4-28x5/8	CCI-131-1-S	CCI-131-1-SS		CCI-131-2-S	CCI-131-2-SS		
1-3/8	2-1/4	9/16	1/4-28x5/8	CCI-137-1-S	CCI-137-1-SS		CCI-137-2-S	CCI-137-2-SS		
1-7/16	2-1/4	9/16	1/4-28x5/8	CCI-143-1-S	CCI-143-1-SS		CCI-143-2-S	CCI-143-2-SS		
1-1/2	2-3/8	9/16	1/4-28x5/8	CCI-150-1-S	CCI-150-1-SS	CCI-150-1-AL	CCI-150-2-S	CCI-150-2-SS	CCI-150-2-AL	CCI-150-2-Z
1-9/16	2-3/8	9/16	1/4-28x5/8	CCI-156-1-S	CCI-156-1-SS		CCI-156-2-S	CCI-156-2-SS		
1-5/8	2-5/8	11/16	5/16-24x7/8	CCI-162-1-S	CCI-162-1-SS		CCI-162-2-S	CCI-162-2-SS		
1-11/16	2-3/4	11/16	5/16-24x7/8	CCI-168-1-S	CCI-168-1-SS		CCI-168-2-S	CCI-168-2-SS		
1-3/4	2-3/4	11/16	5/16-24x7/8	CCI-175-1-S	CCI-175-1-SS	CCI-175-1-AL	CCI-175-2-S	CCI-175-2-SS	CCI-175-2-AL	
1-13/16	2-7/8	11/16	5/16-24x7/8	CCI-181-1-S	CCI-181-1-SS		CCI-181-2-S	CCI-181-2-SS		
1-7/8	2-7/8	11/16	5/16-24x7/8	CCI-187-1-S	CCI-187-1-SS	CCI-187-1-AL	CCI-187-2-S	CCI-187-2-SS	CCI-187-2-AL	
1-15/16	3	11/16	5/16-24x7/8	CCI-193-1-S	CCI-193-1-SS	CCI-193-1-AL	CCI-193-2-S	CCI-193-2-SS	CCI-193-2-AL	
2	3	11/16	5/16-24x7/8	CCI-200-1-S	CCI-200-1-SS	CCI-200-1-AL	CCI-200-2-S	CCI-200-2-SS	CCI-200-2-AL	
2-1/16	3-1/8	3/4	5/16-24x7/8	CCI-206-1-S			CCI-206-2-S			
2-1/8	3-1/4	3/4	5/16-24x7/8	CCI-212-1-S	CCI-212-1-SS		CCI-212-2-S	CCI-212-2-SS		
2-3/16	3-1/4	3/4	5/16-24x7/8	CCI-218-1-S	CCI-218-1-SS		CCI-218-2-S	CCI-218-2-SS		
2-1/4	3-1/4	3/4	5/16-24x7/8	CCI-225-1-S	CCI-225-1-SS		CCI-225-2-S	CCI-225-2-SS		
2-5/16	3-3/8	3/4	5/16-24x7/8	CCI-231-1-S			CCI-231-2-S			
2-3/8	3-1/2	3/4	5/16-24x7/8	CCI-237-1-S	CCI-237-1-SS		CCI-237-2-S	CCI-237-2-SS		
2-7/16	3-1/2	3/4	5/16-24x7/8	CCI-243-1-S	CCI-243-1-SS		CCI-243-2-S	CCI-243-2-SS		
2-1/2	3-3/4	7/8	3/8-24x7/8	CCI-250-1-S	CCI-250-1-SS	CCI-250-1-AL	CCI-250-2-S	CCI-250-2-SS	CCI-250-2-AL	
2-9/16	3-7/8	7/8	3/8-24x7/8	CCI-256-1-S			CCI-256-2-S			
2-5/8	3-7/8	7/8	3/8-24x7/8	CCI-262-1-S	CCI-262-1-SS		CCI-262-2-S	CCI-262-2-SS		
2-11/16	4	7/8	3/8-24x7/8	CCI-268-1-S			CCI-268-2-S			
2-3/4	4	7/8	3/8-24x7/8	CCI-275-1-S	CCI-275-1-SS		CCI-275-2-S	CCI-275-2-SS		
2-13/16	4-1/4	7/8	3/8-24x7/8	CCI-281-1-S			CCI-281-2-S			
2-7/8	4-1/4	7/8	3/8-24x7/8	CCI-287-1-S	CCI-287-1-SS		CCI-287-2-S	CCI-287-2-SS		
2-15/16	4-1/4	7/8	3/8-24x7/8	CCI-293-1-S	CCI-293-1-SS		CCI-293-2-S	CCI-293-2-SS		
3	4-1/4	7/8	3/8-24x7/8	CCI-300-1-S	CCI-300-1-SS		CCI-300-2-S	CCI-300-2-SS	CCI-300-2-AL	
3-3/16	4-1/2	7/8	3/8-24x7/8	CCI-318-1-S			CCI-318-2-S			
3-1/4	4-1/2	7/8	3/8-24x7/8	CCI-325-1-S			CCI-325-2-S			
3-3/8	4-3/4	7/8	3/8-24x7/8				CCI-337-2-S			
3-7/16	4-3/4	7/8	3/8-24x7/8	CCI-343-1-S			CCI-343-2-S			
3-1/2	4-3/4	7/8	3/8-24x7/8	CCI-350-1-S			CCI-350-2-S			
3-15/16	5-1/4	7/8	3/8-24x7/8	CCI-393-1-S			CCI-393-2-S			
4	5-1/4	7/8	3/8-24x7/8	CCI-400-1-S			CCI-400-2-S			

Inch Single & Double Split Collars — Heavy



				PART NUMBER			
BORE	OD	WIDTH	CAP SCREW	SINGLE SPLIT COLLARS – Heavy		DOUBLE SPLIT COLLARS – Heavy	
				Steel black oxide	Stainless steel	Steel black oxide	Stainless steel
1/8	13/16	1/4	4-40x3/8	CCI-12-1-S-H	CCI-12-1-SS-H	CCI-12-2-S-H	CCI-12-2-SS-H
3/16	13/16	1/4	4-40x3/8	CCI-18-1-S-H	CCI-18-1-SS-H	CCI-18-2-S-H	CCI-18-2-SS-H
1/4	13/16	1/4	4-40x3/8	CCI-25-1-S-H	CCI-25-1-SS-H	CCI-25-2-S-H	CCI-25-2-SS-H
5/16	13/16	1/4	4-40x3/8	CCI-31-1-S-H	CCI-31-1-SS-H	CCI-31-2-S-H	CCI-31-2-SS-H
3/8	1-1/16	5/16	6-32x3/8	CCI-37-1-S-H	CCI-37-1-SS-H	CCI-37-2-S-H	CCI-37-2-SS-H
7/16	1-1/16	5/16	6-32x3/8	CCI-43-1-S-H	CCI-43-1-SS-H	CCI-43-2-S-H	CCI-43-2-SS-H
1/2	1-1/4	3/8	8-32x1/2	CCI-50-1-S-H	CCI-50-1-SS-H	CCI-50-2-S-H	CCI-50-2-SS-H
9/16	1-1/4	3/8	10-32x1/2	CCI-56-1-S-H	CCI-56-1-SS-H	CCI-56-2-S-H	CCI-56-2-SS-H
5/8	1-1/2	13/32	10-32x1/2	CCI-62-1-S-H	CCI-62-1-SS-H	CCI-62-2-S-H	CCI-62-2-SS-H
11/16	1-1/2	13/32	10-32x1/2	CCI-68-1-S-H	CCI-68-1-SS-H	CCI-68-2-S-H	CCI-68-2-SS-H
3/4	1-3/4	1/2	1/4-28x5/8	CCI-75-1-S-H	CCI-75-1-SS-H	CCI-75-2-S-H	CCI-75-2-SS-H
13/16	1-3/4	1/2	1/4-28x5/8	CCI-81-1-S-H	CCI-81-1-SS-H	CCI-81-2-S-H	CCI-81-2-SS-H
7/8	1-7/8	1/2	1/4-28x5/8	CCI-87-1-S-H	CCI-87-1-SS-H	CCI-87-2-S-H	CCI-87-2-SS-H
15/16	1-7/8	1/2	1/4-28x5/8	CCI-93-1-S-H	CCI-93-1-SS-H	CCI-93-2-S-H	CCI-93-2-SS-H
1	2	1/2	1/4-28x5/8	CCI-100-1-S-H	CCI-100-1-SS-H	CCI-100-2-S-H	CCI-100-2-SS-H
1-1/16	2	1/2	1/4-28x5/8	CCI-106-1-S-H	CCI-106-1-SS-H	CCI-106-2-S-H	CCI-106-2-SS-H
1-1/8	2-1/8	1/2	1/4-28x5/8	CCI-112-1-S-H	CCI-112-1-SS-H	CCI-112-2-S-H	CCI-112-2-SS-H
1-3/16	2-1/8	1/2	1/4-28x5/8	CCI-118-1-S-H	CCI-118-1-SS-H	CCI-118-2-S-H	CCI-118-2-SS-H
1-1/4	2-1/4	1/2	1/4-28x5/8	CCI-125-1-S-H	CCI-125-1-SS-H	CCI-125-2-S-H	CCI-125-2-SS-H
1-5/16	2-1/4	1/2	1/4-28x5/8	CCI-131-1-S-H	CCI-131-1-SS-H	CCI-131-2-S-H	CCI-131-2-SS-H
1-3/8	2-3/8	1/2	1/4-28x5/8	CCI-137-1-S-H	CCI-137-1-SS-H	CCI-137-2-S-H	CCI-137-2-SS-H
1-7/16	2-3/8	1/2	1/4-28x5/8	CCI-143-1-S-H	CCI-143-1-SS-H	CCI-143-2-S-H	CCI-143-2-SS-H
1-1/2	2-1/2	1/2	1/4-28x5/8	CCI-150-1-S-H	CCI-150-1-SS-H	CCI-150-2-S-H	CCI-150-2-SS-H
1-9/16	2-1/2	1/2	1/4-28x5/8	CCI-156-1-S-H	CCI-156-1-SS-H	CCI-156-2-S-H	CCI-156-2-SS-H
1-5/8	3	5/8	5/16-24x7/8	CCI-162-1-S-H	CCI-162-1-SS-H	CCI-162-2-S-H	CCI-162-2-SS-H
1-11/16	3	5/8	5/16-24x7/8	CCI-168-1-S-H	CCI-168-1-SS-H	CCI-168-2-S-H	CCI-168-2-SS-H
1-3/4	3	5/8	5/16-24x7/8	CCI-175-1-S-H	CCI-175-1-SS-H	CCI-175-2-S-H	CCI-175-2-SS-H
1-7/8	3-1/4	5/8	5/16-24x7/8	CCI-187-1-S-H	CCI-187-1-SS-H	CCI-187-2-S-H	CCI-187-2-SS-H
1-15/16	3-1/4	5/8	5/16-24x7/8	CCI-193-1-S-H	CCI-193-1-SS-H	CCI-193-2-S-H	CCI-193-2-SS-H
2	3-1/4	5/8	5/16-24x7/8	CCI-200-1-S-H	CCI-200-1-SS-H	CCI-200-2-S-H	CCI-200-2-SS-H
2-1/8	3-1/2	5/8	5/16-24x7/8	CCI-212-1-S-H	CCI-212-1-SS-H	CCI-212-2-S-H	CCI-212-2-SS-H
2-3/16	3-1/2	5/8	5/16-24x7/8	CCI-218-1-S-H	CCI-218-1-SS-H	CCI-218-2-S-H	CCI-218-2-SS-H
2-1/4	3-1/2	5/8	5/16-24x7/8	CCI-225-1-S-H	CCI-225-1-SS-H	CCI-225-2-S-H	CCI-225-2-SS-H
2-3/8	3-1/2	5/8	5/16-24x7/8	CCI-237-1-S-H	CCI-237-1-SS-H	CCI-237-2-S-H	CCI-237-2-SS-H
2-7/16	4	3/4	3/8-24x7/8	CCI-243-1-S-H	CCI-243-1-SS-H	CCI-243-2-S-H	CCI-243-2-SS-H
2-1/2	4	3/4	3/8-24x7/8	CCI-250-1-S-H	CCI-250-1-SS-H	CCI-250-2-S-H	CCI-250-2-SS-H
2-5/8	4-1/4	3/4	3/8-24x7/8	CCI-262-1-S-H	CCI-262-1-SS-H	CCI-262-2-S-H	CCI-262-2-SS-H
2-11/16	4-1/4	3/4	3/8-24x7/8			CCI-268-2-S-H	
2-3/4	4-1/4	3/4	3/8-24x7/8	CCI-275-1-S-H	CCI-275-1-SS-H	CCI-275-2-S-H	CCI-275-2-SS-H
2-7/8	4-1/2	3/4	3/8-24x7/8	CCI 287-1-S-H	CCI 287-1-SS-H	CCI 287-2-S-H	CCI 287-2-SS-H
2-15/16	4-1/2	3/4	3/8-24x7/8	CCI-293-1-S-H	CCI-293-1-SS-H	CCI-293-2-S-H	CCI-293-2-SS-H
3	4-1/2	3/4	3/8-24x7/8	CCI-300-1-S-H	CCI-300-1-SS-H	CCI-300-2-S-H	CCI-300-2-SS-H
3-1/4	4-3/4	3/4	3/8-24x1-1/4	CCI-325-1-S-H		CCI-325-2-S-H	
3-7/16	5	3/4	3/8-24x1-1/4	CCI-343-1-S-H		CCI-343-2-S-H	CCI-343-2-SS-H
3-1/2	5	3/4	3/8-24x1-1/4	CCI-350-1-S-H		CCI-350-2-S-H	CCI-350-2-SS-H
3-15/16	5-3/4	1	3/8-24x1-1/4	CCI-393-1-S-H		CCI-393-2-S-H	
4	5-3/4	1	3/8-24x1-1/4	CCI-400-1-S-H		CCI-400-2-S-H	CCI-400-2-SS-H
4-7/16	6-1/4	1	1/2-20x1-1/4			CCI-443-2-S-H	
4-1/2	6-1/4	1	1/2-20x1-1/4			CCI-450-2-S-H	CCI-450-2-SS-H
4-15/16	6-3/4	1	1/2-20x1-1/4			CCI-493-2-S-H	
5	6-3/4	1	1/2-20x1-1/4			CCI-500-2-S-H	
5-15/16	7-3/4	1	1/2-20x1-1/4			CCI-593-2-S-H	

Inch Single & Double Split Threaded Collars — Std.



				PART NUMBER		
BORE	OD	WIDTH	CAP SCREW	SINGLE SPLIT THREADED		DOUBLE SPLIT THREADED
				Steel black oxide	Stainless steel	Steel black oxide
10-32	5/8	5/16	4-40x3/8	CTS-10-32	CTS-10-32-SS	2CTS-10-32
1/4-20	11/16	5/16	4-40x3/8	CTS-1/4-20	CTS-1/4-20-SS	2CTS-1/4-20
1/4-28	11/16	5/16	4-40x3/8	CTS-1/4-28	CTS-1/4-28-SS	2CTS-1/4-28
5/16-18	11/16	5/16	4-40x3/8	CTS-5/16-18	CTS-5/16-18-SS	2CTS-5/16-18
5/16-24	11/16	5/16	4-40x3/8	CTS-5/16-24	CTS-5/16-24-SS	2CTS-5/16-24
3/8-16	7/8	11/32	6-32x3/8	CTS-3/8-16	CTS-3/8-16-SS	2CTS-3/8-16
3/8-24	7/8	11/32	6-32x3/8	CTS-3/8-24	CTS-3/8-24-SS	2CTS-3/8-24
7/16-14	15/16	3/8	6-32x3/8	CTS-7/16-14	CTS-7/16-14-SS	2CTS-7/16-14
7/16-20	15/16	3/8	6-32x3/8	CTS-7/16-20	CTS-7/16-20-SS	2CTS-7/16-20
1/2-13	1-1/8	13/32	8-32x1/2	CTS-1/2-13	CTS-1/2-13-SS	2CTS-1/2-13
1/2-20	1-1/8	13/32	8-32x1/2	CTS-1/2-20	CTS-1/2-20-SS	2CTS-1/2-20
5/8-11	1-5/16	7/16	10-32x1/2	CTS-5/8-11	CTS-5/8-11-SS	2CTS-5/8-11
5/8-18	1-5/16	7/16	10-32x1/2	CTS-5/8-18	CTS-5/8-18-SS	2CTS-5/8-18
3/4-10	1-1/2	1/2	1/4-28x5/8	CTS-3/4-10	CTS-3/4-10-SS	2CTS-3/4-10
3/4-16	1-1/2	1/2	1/4-28x5/8	CTS-3/4-16	CTS-3/4-16-SS	2CTS-3/4-16
7/8-9	1-5/8	1/2	1/4-28x5/8	CTS-7/8-9	CTS-7/8-9-SS	2CTS-7/8-9
7/8-14	1-5/8	1/2	1/4-28x5/8	CTS-7/8-14	CTS-7/8-14-SS	2CTS-7/8-14
1-8	1-3/4	1/2	1/4-28x5/8	CTS-1-8	CTS-1-8-SS	2CTS-1-8
1-12	1-3/4	1/2	1/4-28x5/8	CTS-1-12	CTS-1-12-SS	2CTS-1-12
1-14	1-3/4	1/2	1/4-28x5/8	CTS-1-14	CTS-1-14-SS	2CTS-1-14
1-1/8-12	1-7/8	1/2	1/4-28x5/8	CTS-1-1/8-12	CTS-1-1/8-12-SS	2CTS-1-1/8-12
1-1/4-7	2-1/16	1/2	1/4-28x5/8	CTS-1-1/4-7	CTS-1-1/4-7-SS	2CTS-1-1/4-7
1-1/4-12	2-1/16	1/2	1/4-28x5/8	CTS-1-1/4-12	CTS-1-1/4-12-SS	2CTS-1-1/4-12
1-3/8-6	2-1/4	9/16	1/4-28x5/8	CTS-1-3/8-6		
1-3/8-12	2-1/4	9/16	1/4-28x5/8	CTS-1-3/8-12		
1-1/2-6	2-3/8	9/16	1/4-28x5/8	CTS-1-1/2-6	CTS-1-1/2-6-SS	2CTS-1-1/2-6
1-1/2-12	2-3/8	9/16	1/4-28x5/8	CTS-1-1/2-12	CTS-1-1/2-12-SS	2CTS-1-1/2-12
2-12	3	11/16	5/16-24x7/8	CTS-2-12		2CTS-2-12
2-1/4-12	3-1/4	3/4	5/16-24x7/8	CTS-2-1/4-12		2CTS-2-1/4-12

Frequently Asked Questions

Q) What's the standard finish of your shaft collars and couplings?

For steel set screw collars, the standard finish is zinc plating for inch; black oxide for metric. Our steel split collars and couplings are finished in black oxide as are rigid couplings. Black oxide provides a higher coefficient of friction than plated. That's important because the wrong finish can dramatically reduce the holding power of a shaft collar or coupling. Some electroplated finishes can actually cause sudden failure by acting as a lubricant instead of adding friction. We can provide all shaft collars and couplings in plated finishes, when you give us sufficient notice. Stainless steel shaft collars and shaft couplings come with a bright polished finish.

Q) Do you manufacture special parts?

Yes, we manufacture specials to customer blueprints. We typically respond to requests for quote within 24 hours and never more than 48 hours.

Q) To improve the holding power of a set screw collar, would you advise adding a second set screw?

No, a better solution is to substitute a clamp collar. A single or double split collar provides more than twice the axial load of a set screw collar, even when a second set screw is installed. Both a single and double split collar are held together with strong socket cap screws. Split collars work even on hardened shafts and thin-walled tubing, something a set screw collar may not do. Another advantage: clamp collars don't mar shafts.

Q) What's the best way to install a split collar that's susceptible to high side-to-side (axial) loads?

Remove any lubricant, dirt, or burrs where the shaft collar will be installed to ensure a tight, 360-degree clamping force.

Inch Set Screw Collars



PART NUMBER							
BORE	OD	WIDTH	SET SCREW	Steel zinc plated	Steel black oxide	Steel unplated	Stainless steel
1/8	3/8	1/4	6-32x1/8	SC-12-Z	SC-12-B	SC-12-U	SC-12-SS
3/16	7/16	1/4	8-32x1/8	SC-18-Z	SC-18-B	SC-18-U	SC-18-SS
1/4	1/2	5/16	10-32x1/8	SC-25-Z	SC-25-B	SC-25-U	SC-25-SS
5/16	5/8	5/16	10-32x1/8	SC-31-Z	SC-31-B	SC-31-U	SC-31-SS
3/8	3/4	3/8	1/4-20x3/16	SC-37-Z	SC-37-B	SC-37-U	SC-37-SS
7/16	7/8	7/16	1/4-20x1/4	SC-43-Z	SC-43-B	SC-43-U	SC-43-SS
1/2	1	7/16	1/4-20x1/4	SC-50-Z	SC-50-B	SC-50-U	SC-50-SS
9/16	1	7/16	1/4-20x1/4	SC-56-Z	SC-56-B	SC-56-U	SC-56-SS
5/8	1-1/8	1/2	5/16-18x1/4	SC-62-Z	SC-62-B	SC-62-U	SC-62-SS
11/16	1-1/4	9/16	5/16-18x1/4	SC-68-Z	SC-68-B	SC-68-U	SC-68-SS
3/4	1-1/4	9/16	5/16-18x1/4	SC-75-Z	SC-75-B	SC-75-U	SC-75-SS
13/16	1-5/16	9/16	5/16-18x1/4	SC-81-Z	SC-81-B	SC-81-U	SC-81-SS
7/8	1-1/2	9/16	5/16-18x1/4	SC-87-Z	SC-87-B	SC-87-U	SC-87-SS
15/16	1-5/8	9/16	5/16-18x1/4	SC-93-Z	SC-93-B	SC-93-U	SC-93-SS
1	1-5/8	5/8	5/16-18x1/4	SC-100-Z	SC-100-B	SC-100-U	SC-100-SS
1-1/16	1-3/4	5/8	5/16-18x5/16	SC-106-Z	SC-106-B	SC-106-U	SC-106-SS
1-1/8	1-3/4	5/8	5/16-18x5/16	SC-112-Z	SC-112-B	SC-112-U	SC-112-SS
1-3/16	2	11/16	3/8-16x3/8	SC-118-Z	SC-118-B	SC-118-U	SC-118-SS
1-1/4	2	11/16	3/8-16x3/8	SC-125-Z	SC-125-B	SC-125-U	SC-125-SS
1-5/16	2-1/8	11/16	3/8-16x3/8	SC-131-Z	SC-131-B	SC-131-U	SC-131-SS
1-3/8	2-1/8	3/4	3/8-16x3/8	SC-137-Z	SC-137-B	SC-137-U	SC-137-SS
1-7/16	2-1/4	3/4	3/8-16x3/8	SC-143-Z	SC-143-B	SC-143-U	SC-143-SS
1-1/2	2-1/4	3/4	3/8-16x3/8	SC-150-Z	SC-150-B	SC-150-U	SC-150-SS
1-9/16	2-1/2	13/16	3/8-16x3/8	SC-156-Z	SC-156-B	SC-156-U	SC-156-SS
1-5/8	2-1/2	13/16	3/8-16x3/8	SC-162-Z	SC-162-B	SC-162-U	SC-162-SS
1-11/16	2-1/2	13/16	3/8-16x3/8	SC-168-Z	SC-168-B	SC-168-U	SC-168-SS
1-3/4	2-5/8	7/8	1/2-13x1/2	SC-175-Z	SC-175-B	SC-175-U	SC-175-SS
1-13/16	2-3/4	7/8	1/2-13x1/2	SC-181-Z	SC-181-B	SC-181-U	SC-181-SS
1-7/8	2-3/4	7/8	1/2-13x1/2	SC-187-Z	SC-187-B	SC-187-U	SC-187-SS
1-15/16	3	7/8	1/2-13x1/2	SC-193-Z	SC-193-B	SC-193-U	SC-193-SS
2	3	7/8	1/2-13x1/2	SC-200-Z	SC-200-B	SC-200-U	SC-200-SS
2-1/16	3	7/8	1/2-13x1/2	SC-206-Z			SC-206-SS
2-1/8	3	7/8	1/2-13x1/2	SC-212-Z	SC-212-B	SC-212-U	SC-212-SS
2-3/16	3-1/4	15/16	1/2-13x1/2	SC-218-Z	SC-218-B	SC-218-U	SC-218-SS
2-1/4	3-1/4	15/16	1/2-13x1/2	SC-225-Z	SC-225-B	SC-225-U	SC-225-SS
2-5/16	3-1/4	15/16	1/2-13x1/2	SC-231-Z	SC-231-B	SC-231-U	
2-3/8	3-1/4	15/16	1/2-13x1/2	SC-237-Z	SC-237-B	SC-237-U	SC-237-SS
2-7/16	3-1/2	1	1/2-13x1/2	SC-243-Z	SC-243-B	SC-243-U	SC-243-SS
2-1/2	3-1/2	1	1/2-13x1/2	SC-250-Z	SC-250-B	SC-250-U	SC-250-SS
2-9/16	3-3/4	1	1/2-13x1/2	SC-256-Z	SC-256-B	SC-256-U	SC-256-SS
2-5/8	4	1-1/8	1/2-13x1/2	SC-262 -Z	SC-262 -B	SC-262 -U	
2-11/16	4	1-1/8	1/2-13x1/2	SC-268-Z	SC-268-B	SC-268-U	SC-268-SS
2-3/4	4	1-1/8	1/2-13x1/2	SC-275-Z	SC-275-B	SC-275-U	SC-275-SS
2-13/16	4	1-1/8	1/2-13x1/2	SC-281-Z	SC-281-B	SC-281-U	
2-7/8	4-1/4	1-1/8	1/2-13x1/2	SC-287-Z	SC-287-B	SC-287-U	SC-287-SS
2-15/16	4-1/4	1-1/8	1/2-13x1/2	SC-293-Z	SC-293-B	SC-293-U	SC-293-SS
3	4-1/4	1-1/8	1/2-13x1/2	SC-300-Z	SC-300-B	SC-300-U	SC-300-SS
3-1/4	4-1/4	1-1/8	1/2-13x1/2	SC-325-Z			
3-7/16	4-1/2	1-1/8	1/2-13x1/2	SC-343-Z	SC-343-B	SC-343-U	
3-1/2	4-1/2	1-1/8	1/2-13x1/2	SC-350-Z			
3-15/16	5	1-1/8	1/2-13x1/2	SC-393-Z	SC-393-B	SC-393-U	
4	5	1-1/8	1/2-13x1/2	SC-400-Z			

Metric Single & Double Split Collars



				PART NUMBER			
BORE	OD	WIDTH	CAP SCREW	SINGLE SPLIT COLLARS		DOUBLE SPLIT COLLARS	
				Steel black oxide	Stainless steel	Steel black oxide	Stainless steel
3	16	9	M-3x8	CCM-3-1-S	CCM-3-1-SS	CCM-3-2-S	CCM-3-2-SS
4	16	9	M-3x8	CCM-4-1-S	CCM-4-1-SS	CCM-4-2-S	CCM-4-2-SS
5	16	9	M-3x8	CCM-5-1-S	CCM-5-1-SS	CCM-5-2-S	CCM-5-2-SS
6	16	9	M-3x8	CCM-6-1-S	CCM-6-1-SS	CCM-6-2-S	CCM-6-2-SS
8	18	9	M-3x8	CCM-8-1-S	CCM-8-1-SS	CCM-8-2-S	CCM-8-2-SS
9	24	9	M-3x10	CCM-9-1-S	CCM-9-1-SS	CCM-9-2-S	CCM-9-2-SS
10	24	9	M-3x10	CCM-10-1-S	CCM-10-1-SS	CCM-10-2-S	CCM-10-2-SS
12	28	11	M-4x12	CCM-12-1-S	CCM-12-1-SS	CCM-12-2-S	CCM-12-2-SS
13	30	11	M-4x12	CCM-13-1-S	CCM-13-1-SS	CCM-13-2-S	CCM-13-2-SS
14	30	11	M-4x12	CCM-14-1-S	CCM-14-1-SS	CCM-14-2-S	CCM-14-2-SS
15	34	13	M-5x16	CCM-15-1-S	CCM-15-1-SS	CCM-15-2-S	CCM-15-2-SS
16	34	13	M-5x16	CCM-16-1-S	CCM-16-1-SS	CCM-16-2-S	CCM-16-2-SS
17	36	13	M-5x16	CCM-17-1-S	CCM-17-1-SS	CCM-17-2-S	CCM-17-2-SS
18	36	13	M-5x16	CCM-18-1-S	CCM-18-1-SS	CCM-18-2-S	CCM-18-2-SS
20	40	15	M-6x16	CCM-20-1-S	CCM-20-1-SS	CCM-20-2-S	CCM-20-2-SS
25	45	15	M-6x16	CCM-25-1-S	CCM-25-1-SS	CCM-25-2-S	CCM-25-2-SS
30	54	15	M-6x18	CCM-30-1-S	CCM-30-1-SS	CCM-30-2-S	CCM-30-2-SS
35	57	15	M-6x18	CCM-35-1-S	CCM-35-1-SS	CCM-35-2-S	CCM-35-2-SS
40	60	15	M-6x18	CCM-40-1-S	CCM-40-1-SS	CCM-40-2-S	CCM-40-2-SS
45	73	19	M-6x18	CCM-45-1-S	CCM-45-1-SS	CCM-45-2-S	CCM-45-2-SS
50	78	19	M-8x25	CCM-50-1-S	CCM-50-1-SS	CCM-50-2-S	CCM-50-2-SS
55	82	19	M-8x25	CCM-55-1-S	CCM-55-1-SS	CCM-55-2-S	CCM-55-2-SS
60	88	19	M-8x25	CCM-60-1-S	CCM-60-1-SS	CCM-60-2-S	CCM-60-2-SS
65	93	19	M-8x25	CCM-65-1-S	CCM-65-1-SS	CCM-65-2-S	CCM-65-2-SS
70	98	19	M-8x25	CCM-70-1-S	CCM-70-1-SS	CCM-70-2-S	CCM-70-2-SS
75	103	19	M-8x25	CCM-75-1-S	CCM-75-1-SS	CCM-75-2-S	CCM-75-2-SS
80	108	19	M-8x25	CCM-80-1-S	CCM-80-1-SS	CCM-80-2-S	CCM-80-2-SS

Frequently Asked Questions

Q) Why do you use a relief cut in your single split collars?

The socket cap screw used in making split collars with up to a 1-1/2" bore is 1/4"-20, which is too small to develop the required load for a shaft collar or coupling. The cut provides enough relief to clamp to the required load. Our metric collars between 3mm and 35mm have a relief cut for the same reason. Above 1 1/2" (or 35mm), the 5/16" (M8) cap screw used in the standard shaft collar is sufficient to provide the necessary load. So a standard split collar or coupling doesn't need a relief in bore sizes greater than 1-1/2" (35mm).

Q) Why is there a groove on one face of a split shaft collar?

The groove is cut at the same time the bore is drilled. It must be a uniform depth around the shaft collar circumference to indicate that the bore is at exact right angles to the face. This assures that the shaft collar fully engages the component it's retaining.

Q) Do you offer split set collars?

There is no such product. Set collars, also called solid collars, are held onto the shaft with a single set screw that engages the shaft at right angles to the shaft collar. Split collars come in two styles, single split and double split. A single split is a one-piece collar with a slot cut into one side; a socket cap screw holds a single split, clamping it around the shaft. Double splits are two-piece collars that can be disassembled. They're held together by two socket cap screws and can be taken apart for easier assembly. So please don't ask for a split set shaft collar!

Metric Set Screw Collars



				PART NUMBER	
BORE	OD	WIDTH	SET SCREW	Steel black oxide	Stainless steel
3	7	5	M-2x2.5	SCM-3-B	SCM-3-SS
4	8	5	M-2.5x3	SCM-4-B	SCM-4-SS
5	10	6	M-3x4	SCM-5-B	SCM-5-SS
6	12	8	M-4x4	SCM-6-B	SCM-6-SS
8	16	8	M-4x4	SCM-8-B	SCM-8-SS
9	20	10	M-5x5	SCM-9-B	SCM-9-SS
10	20	10	M-5x5	SCM-10-B	SCM-10-SS
12	22	12	M-6x6	SCM-12-B	SCM-12-SS
13	22	13	M-6x6	SCM-13-B	SCM-13-SS
14	25	12	M-6x6	SCM-14-B	SCM-14-SS
15	25	12	M-6x8	SCM-15-B	SCM-15-SS
16	28	12	M-6x8	SCM-16-B	SCM-16-SS
18	32	14	M-6x8	SCM-18-B	SCM-18-SS
20	32	14	M-6x8	SCM-20-B	SCM-20-SS
22	36	14	M-6x8	SCM-22-B	SCM-22-SS
24	40	14	M-8x8	SCM-24-B	SCM-24-SS
25	40	16	M-8x8	SCM-25-B	SCM-25-SS
28	45	16	M-8x10	SCM-28-B	SCM-28-SS
30	45	16	M-8x8	SCM-30-B	SCM-30-SS
32	50	16	M-8x10	SCM-32-B	SCM-32-SS
34	50	16	M-8x8	SCM-34-B	SCM-34-SS
35	56	16	M-8x12	SCM-35-B	SCM-35-SS
36	56	16	M-8x10	SCM-36-B	SCM-36-SS
38	56	16	M-8x10	SCM-38-B	SCM-38-SS
40	63	18	M-10x12	SCM-40-B	SCM-40-SS
45	70	18	M-10x12	SCM-45-B	SCM-45-SS
50	80	18	M-10x16	SCM-50-B	SCM-50-SS

Machinable Single Split Couplings



					PART NUMBER
BORE		OD	LENGTH	CAP SCREW	Steel black oxide
A	B				
1/2	0.24	1-1/4	1-7/8	8-32x3/8	MCP50
5/8	0.24	1-1/2	2-1/4	10-32x1/2	MCP62
3/4	0.24	1-3/4	2-5/8	1/4-28x5/8	MCP75
7/8	0.24	1-7/8	2-7/8	1/4-28x5/8	MCP87
1	0.36	2	3	1/4-28x5/8	MCP100
1-1/8	0.36	2-1/8	3-1/4	1/4-28x5/8	MCP112
1-1/4	0.36	2-1/4	3-3/8	1/4-28x5/8	MCP125
1-3/8	0.36	2-3/8	3-5/8	1/4-28x5/8	MCP137
1-1/2	0.49	2-1/2	3-3/4	1/4-28x5/8	MCP150
1-3/4	0.49	3	4-1/2	5/16-24x7/8	MCP175
2	0.49	3-1/4	4-7/8	5/16-24x7/8	MCP200

Inch Rigid Set Screw Couplings



				PART NUMBER	
BORE	OD	LENGTH	SET SCREW	Steel black oxide	
				no keyway	keyway
1/4	1/2	3/4	10-32x3/16	RC-25	
5/16	5/8	1	10-32x3/16	RC-31	
3/8	3/4	1	1/4-20x3/16	RC-37	
1/2	1	1-1/2	1/4-20x1/4	RC-50	RC-50-K
5/8	1-1/4	2	5/16-18x5/16	RC-62	RC-62-K
3/4	1-1/2	2	5/16-18x3/8	RC-75	RC-75-K
7/8	1-3/4	2	3/8-16x3/8	RC-87	RC-87-K
1	2	3	3/8-16x3/8	RC-100	RC-100-K
1-1/4	2-1/4	4	3/8-16x3/8	RC-125	RC-125-K
1-3/8	2-1/2	4-1/2	3/8-16x3/8	RC-137	RC-137-K
1-1/2	2-1/2	4-1/2	3/8-16x3/8	RC-150	RC-150-K

Note: Keyway dimensions on page 9

Inch Single Split Couplings



				PART NUMBER			
BORE	OD	LENGTH	CAP SCREW	Steel black oxide		Stainless steel	
				no keyway	keyway	no keyway	keyway
1/4 x 1/4	11/16	1-1/8	4-40x3/8	CCF-1/4-1/4		CCF-1/4-1/4-SS	
3/8 x 1/4	7/8	1-3/8	4-40x3/8	CCF-3/8-1/4		CCF-3/8-1/4-SS	
3/8 x 3/8	7/8	1-3/8	6-32x3/8	CCF-3/8-3/8		CCF-3/8-3/8-SS	
1/2 x 3/8	1-1/8	1-3/4	8-32x1/2	CCF-1/2-3/8		CCF-1/2-3/8-SS	
1/2 x 1/2	1-1/8	1-3/4	8-32x1/2	CCF-1/2-1/2	CCF-1/2-1/2-K	CCF-1/2-1/2-SS	CCF-1/2-1/2-SS-K
5/8 x 1/2	1-5/16	2	10-32x1/2	CCF-5/8-1/2		CCF-5/8-1/2-SS	
5/8 x 5/8	1-5/16	2	10-32x1/2	CCF-5/8-5/8	CCF-5/8-5/8-K	CCF-5/8-5/8-SS	CCF-5/8-5/8-SS-K
3/4 x 1/2	1-1/2	2-1/4	1/4-28x5/8	CCF-3/4-1/2		CCF-3/4-1/2-SS	
3/4 x 5/8	1-1/2	2-1/4	1/4-28x5/8	CCF-3/4-5/8		CCF-3/4-5/8-SS	
3/4 x 3/4	1-1/2	2-1/4	1/4-28x5/8	CCF-3/4-3/4	CCF-3/4-3/4-K	CCF-3/4-3/4-SS	CCF-3/4-3/4-SS-K
7/8 x 5/8	1-5/8	2-1/2	1/4-28x5/8	CCF-7/8-5/8		CCF-7/8-5/8-SS	
7/8 x 7/8	1-5/8	2-1/2	1/4-28x5/8	CCF-7/8-7/8	CCF-7/8-7/8-K	CCF-7/8-7/8-SS	CCF-7/8-7/8-SS-K
1 x 1/2	1-3/4	3	1/4-28x5/8	CCF-1-1/2		CCF-1-1/2-SS	
1 x 3/4	1-3/4	3	1/4-28x5/8	CCF-1-3/4		CCF-1-3/4-SS	
1 x 1	1-3/4	3	1/4-28x5/8	CCF-1-1	CCF-1-1-K	CCF-1-1-SS	CCF-1-1-SS-K
1-1/8 x 1	1-7/8	3-1/8	1/4-28x5/8	CCF-1-1/8-1		CCF-1-1/8-1-SS	
1-1/8 x 1-1/8	1-7/8	3-1/8	1/4-28x5/8	CCF-1-1/8-1-1/8	CCF-1-1/8-1-1/8-K	CCF-1-1/8-1-1/8-SS	CCF-1-1/8-1-1/8-SS-K
1-1/4 x 1	2-1/16	3-1/4	1/4-28x5/8	CCF-1-1/4-1		CCF-1-1/4-1-SS	
1-1/4 x 1-1/4	2-1/16	3-1/4	1/4-28x5/8	CCF-1-1/4-1-1/4	CCF-1-1/4-1-1/4-K	CCF-1-1/4-1-1/4-SS	CCF-1-1/4-1-1/4-SS-K
1-3/8 x 1	2-1/4	3-1/2	1/4-28x5/8	CCF-1-3/8-1		CCF-1-3/8-1-SS	
1-3/8 x 1-3/8	2-1/4	3-1/2	1/4-28x5/8	CCF-1-3/8-1-3/8	CCF-1-3/8-1-3/8-K	CCF-1-3/8-1-3/8-SS	CCF-1-3/8-1-3/8-SS-K
1-1/2 x 1	2-1/2	3-3/4	1/4-28x5/8	CCF-1-1/2-1		CCF-1-1/2-1-SS	
1-1/2 x 1-1/2	2-1/2	3-3/4	1/4-28x5/8	CCF-1-1/2-1-1/2	CCF-1-1/2-1-1/2-K	CCF-1-1/2-1-1/2-SS	CCF-1-1/2-1-1/2-SS-K
1-3/4 x 1-3/4	3	4-1/2	5/16-24x7/8	CCF-1-3/4-1-3/4	CCF-1-3/4-1-3/4-K		
2 x 2	3-1/4	4-7/8	5/16-24x7/8	CCF-2-2	CCF-2-2-K	CCF-2-2-SS	CCF-2-2-SS-K



Inch Double Split Couplings

PART NUMBER							
BORE	OD	LENGTH	CAP SCREW	Steel black oxide		Stainless steel	
				no keyway	keyway	no keyway	keyway
1/4 x 1/4	11/16	1-1/8	4-40x3/8	2CCF-1/4-1/4		2CCF-1/4-1/4-SS	
3/8 x 1/4	7/8	1-3/8	4-40x3/8	2CCF-3/8-1/4		2CCF-3/8-1/4-SS	
3/8 x 3/8	7/8	1-3/8	6-32x3/8	2CCF-3/8-3/8		2CCF-3/8-3/8-SS	
1/2 x 3/8	1-1/8	1-3/4	8-32x1/2	2CCF-1/2-3/8		2CCF-1/2-3/8-SS	
1/2 x 1/2	1-1/8	1-3/4	8-32x1/2	2CCF-1/2-1/2	2CCF-1/2-1/2-K	2CCF-1/2-1/2-SS	2CCF-1/2-1/2-SS-K
5/8 x 1/2	1-5/16	2	10-32x1/2	2CCF-5/8-1/2	2CCF-5/8-1/2-K	2CCF-5/8-1/2-SS	2CCF-5/8-1/2-SS-K
5/8 x 5/8	1-5/16	2	10-32x1/2	2CCF-5/8-5/8	2CCF-5/8-5/8-K	2CCF-5/8-5/8-SS	2CCF-5/8-5/8-SS-K
3/4 x 1/2	1-1/2	2-1/4	1/4-28x5/8	2CCF-3/4-1/2	2CCF-3/4-1/2-K	2CCF-3/4-1/2-SS	2CCF-3/4-1/2-SS-K
3/4 x 5/8	1-1/2	2-1/4	1/4-28x5/8	2CCF-3/4-5/8	2CCF-3/4-5/8-K	2CCF-3/4-5/8-SS	2CCF-3/4-5/8-SS-K
3/4 x 3/4	1-1/2	2-1/4	1/4-28x5/8	2CCF-3/4-3/4	2CCF-3/4-3/4-K	2CCF-3/4-3/4-SS	2CCF-3/4-3/4-SS-K
7/8 x 5/8	1-5/8	2-1/2	1/4-28x5/8	2CCF-7/8-5/8	2CCF-7/8-5/8-K	2CCF-7/8-5/8-SS	2CCF-7/8-5/8-SS-K
7/8 x 7/8	1-5/8	2-1/2	1/4-28x5/8	2CCF-7/8-7/8	2CCF-7/8-7/8-K	2CCF-7/8-7/8-SS	2CCF-7/8-7/8-SS-K
1 x 1/2	1-3/4	3	1/4-28x5/8	2CCF-1-1/2	2CCF-1-1/2-K	2CCF-1-1/2-SS	2CCF-1-1/2-SS-K
1 x 3/4	1-3/4	3	1/4-28x5/8	2CCF-1-3/4	2CCF-1-3/4-K	2CCF-1-3/4-SS	2CCF-1-3/4-SS-K
1 x 1	1-3/4	3	1/4-28x5/8	2CCF-1-1	2CCF-1-1-K	2CCF-1-1-SS	2CCF-1-1-SS-K
1-1/8 x 1	1-7/8	3-1/8	1/4-28x5/8	2CCF-1-1/8-1	2CCF-1-1/8-1-K	2CCF-1-1/8-1-SS	2CCF-1-1/8-1-SS-K
1-1/8 x 1-1/8	1-7/8	3-1/8	1/4-28x5/8	2CCF-1-1/8-1-1/8	2CCF-1-1/8-1-1/8-K	2CCF-1-1/8-1-1/8-SS	2CCF-1-1/8-1-1/8-SS-K
1-1/4 x 1	2-1/16	3-1/4	1/4-28x5/8	2CCF-1-1/4-1	2CCF-1-1/4-1-K	2CCF-1-1/4-1-SS	2CCF-1-1/4-1-SS-K
1-1/4 x 1-1/4	2-1/16	3-1/4	1/4-28x5/8	2CCF-1-1/4-1-1/4	2CCF-1-1/4-1-1/4-K	2CCF-1-1/4-1-1/4-SS	2CCF-1-1/4-1-1/4-SS-K
1-3/8 x 1	2-1/4	3-1/2	1/4-28x5/8	2CCF-1-3/8-1	2CCF-1-3/8-1-K	2CCF-1-3/8-1-SS	2CCF-1-3/8-1-SS-K
1-3/8 x 1-3/8	2-1/4	3-1/2	1/4-28x5/8	2CCF-1-3/8-1-3/8	2CCF-1-3/8-1-3/8-K	2CCF-1-3/8-1-3/8-SS	2CCF-1-3/8-1-3/8-SS-K
1-1/2 x 1	2-1/2	3-3/4	1/4-28x5/8	2CCF-1-1/2-1	2CCF-1-1/2-1-K	2CCF-1-1/2-1-SS	2CCF-1-1/2-1-SS-K
1-1/2 x 1-1/2	2-1/2	3-3/4	1/4-28x5/8	2CCF-1-1/2-1-1/2	2CCF-1-1/2-1-1/2-K	2CCF-1-1/2-1-1/2-SS	2CCF-1-1/2-1-1/2-SS-K
1-3/4 x 1-3/4	3	4-1/2	5/16-24x7/8	2CCF-1-3/4-1-3/4	2CCF-1-3/4-1-3/4-K		
2 x 2	3-1/4	4-7/8	5/16-24x7/8	2CCF-2-2	2CCF-2-2-K	2CCF-2-2-SS	2CCF-2-2-SS-K



Metric Single Split Couplings

PART NUMBER							
BORE	OD	LENGTH	CAP SCREW	Steel black oxide		Stainless steel	
				no keyway	keyway	no keyway	keyway
6 x 6	18	30	M3x8	CFM-6-6		CFM-6-6-SS	
8 x 8	24	35	M3x10	CFM-8-8		CFM-8-8-SS	
9 x 9	24	35	M3x10	CFM-9-9		CFM-9-9-SS	
10 x 10	29	45	M4x12	CFM-10-10		CFM-10-10-SS	
12 x 12	29	45	M4x12	CFM-12-12	CFM-12-12-K	CFM-12-12-SS	CFM-12-12-SS-K
14 x 14	34	50	M5x16	CFM-14-14	CFM-14-14-K	CFM-14-14-SS	CFM-14-14-SS-K
15 x 15	34	50	M5x16	CFM-15-15	CFM-15-15-K	CFM-15-15-SS	CFM-15-15-SS-K
16 x 16	34	50	M5x16	CFM-16-16	CFM-16-16-K	CFM-16-16-SS	CFM-16-16-SS-K
20 x 20	42	65	M6x16	CFM-20-20	CFM-20-20-K	CFM-20-20-SS	CFM-20-20-SS-K
25 x 25	45	75	M6x16	CFM-25-25	CFM-25-25-K	CFM-25-25-SS	CFM-25-25-SS-K
30 x 30	53	83	M6x18	CFM-30-30	CFM-30-30-K	CFM-30-30-SS	CFM-30-30-SS-K
35 x 35	67	95	M8x25	CFM-35-35	CFM-35-35-K	CFM-35-35-SS	CFM-35-35-SS-K
40 x 40	77	108	M8x25	CFM-40-40	CFM-40-40-K	CFM-40-40-SS	CFM-40-40-SS-K
50 x 50	85	124	M10x25	CFM-50-50	CFM-50-50-K	CFM-50-50-SS	CFM-50-50-SS-K



Metric Double Split Couplings

				PART NUMBER			
BORE	OD	LENGTH	CAP SCREW	Steel black oxide		Stainless steel	
				no keyway	keyway	no keyway	keyway
6 x 6	18	30	M3x8	2CFM-6-6		2CFM-6-6-SS	
8 x 8	24	35	M3x10	2CFM-8-8		2CFM-8-8-SS	
9 x 9	24	35	M3x10	2CFM-9-9		2CFM-9-9-SS	
10 x 10	29	45	M4x12	2CFM-10-10		2CFM-10-10-SS	
12 x 12	29	45	M4x12	2CFM-12-12	2CFM-12-12-K	2CFM-12-12-SS	2CFM-12-12-SS-K
14 x 14	34	50	M5x16	2CFM-14-14	2CFM-14-14-K	2CFM-14-14-SS	2CFM-14-14-SS-K
15 x 15	34	50	M5x16	2CFM-15-15	2CFM-15-15-K	2CFM-15-15-SS	2CFM-15-15-SS-K
16 x 16	34	50	M5x16	2CFM-16-16	2CFM-16-16-K	2CFM-16-16-SS	2CFM-16-16-SS-K
20 x 20	42	65	M6x16	2CFM-20-20	2CFM-20-20-K	2CFM-20-20-SS	2CFM-20-20-SS-K
25 x 25	45	75	M6x16	2CFM-25-25	2CFM-25-25-K	2CFM-25-25-SS	2CFM-25-25-SS-K
30 x 30	53	83	M6x18	2CFM-30-30	2CFM-30-30-K	2CFM-30-30-SS	2CFM-30-30-SS-K
35 x 35	67	95	M8x25	2CFM-35-35	2CFM-35-35-K	2CFM-35-35-SS	2CFM-35-35-SS-K
40 x 40	77	108	M8x25	2CFM-40-40	2CFM-40-40-K	2CFM-40-40-SS	2CFM-40-40-SS-K
50 x 50	85	124	M10x25	2CFM-50-50	2CFM-50-50-K	2CFM-50-50-SS	2CFM-50-50-SS-K

Technical

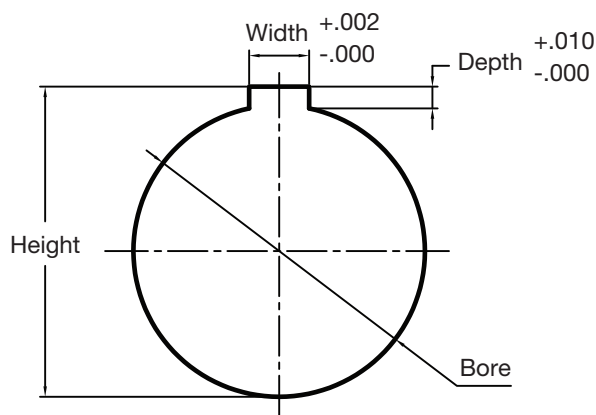
Coupling Keyway Dimensions

Inch

Bore	Width	Depth	Height
1/2	1/8	1/16	0.560
5/8	3/16	3/32	0.709
3/4	3/16	3/32	0.837
7/8	3/16	3/32	0.964
1	1/4	1/8	1.114
1-1/8	1/4	1/8	1.241
1-1/4	1/4	1/8	1.367
1-3/8	5/16	5/32	1.518
1-1/2	3/8	3/16	1.669
1-3/4	3/8	3/16	1.922
2	1/2	1/4	2.223

Metric

Bore	Width	Depth	Height
12mm	4	1.80	13.80
14mm	5	2.30	16.30
15mm	5	2.30	17.30
16mm	5	2.30	18.30
20mm	6	2.80	22.80
25mm	8	3.30	28.30
30mm	8	3.30	33.30
35mm	10	3.30	38.30
40mm	12	3.30	43.30
50mm	14	3.80	53.80

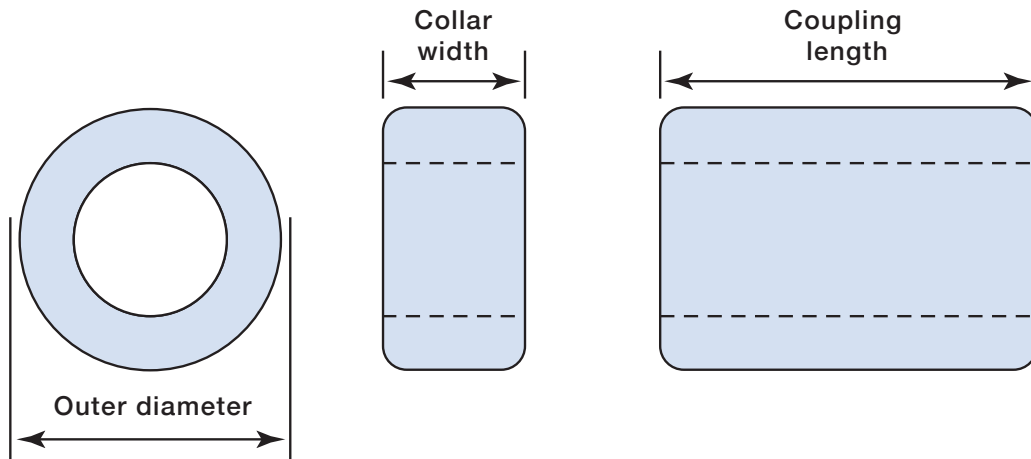


Specials

For your made-to-print shaft collars and couplings, phone, fax or email your specifications today. We quote most within 24-48 hours. Capabilities: up to 12" bores and 14" O.D. in unlimited widths; I.D. and O.D. bore tolerances up to .001". Choose from materials as diverse as steel, Type 316 stainless steel, Inconel®, titanium, and bronze. We also rework standard parts into specials and hold inventory for scheduled releases, letting you improve cash flow and save space.

Technical

How to Measure Collars or Couplings



Finishes and Bore Tolerances

SET SCREW COLLARS

1 set screw



Inch Finishes

Standard finish for steel: zinc
Unplated
Black oxide
Other finishes on request

Inch Bore Tolerance

1/8 to 3/16: $+.003/+.0008$
1/4 to 1-1/8: $+.004/+.0008$
1-3/16 to 2-15/16: $+.006/+.0008$
3 & up: $+.008/+.0008$

Metric Finishes

Standard finish for steel:
black oxide

Metric Bore Tolerance

M-3 to M-25: $+.10/+.02$
M-28 to M-50: $+.12/+.02$

SPLIT COLLARS

Single split:
1 cap screw



Double split:
2 cap screws



Finishes

Standard finish for steel:
black oxide
Other finishes on request

Inch Bore Tolerance

1/8 to 3/16: $+.003/+.0006$
1/4 to 1-1/8: $+.004/+.0008$
1-3/16 to 2-15/16: $+.006/+.0008$
3 & up: $+.008/+.0008$

Metric Bore Tolerance

M-3 to M-5: $+.08/+.01$
M-6 to M-20: $+.10/+.02$
M-25 to M-75: $+.15/+.02$
M-80: $+.20/+.02$

COUPLINGS

Single split:
4 cap screws



Double split:
8 cap screws



Rigid set:
2 set screws



Finishes

Standard finish for steel:
black oxide
Other finishes on request

Machinable:
4 cap screws

Inch Bore Tolerance

1/4 to 2: $-.000/+.003$

Metric Bore Tolerance

M-6 to M-50: $-.000/+.026$

Holding power: Our steel split collars have a black oxide finish to provide a higher friction coefficient and resist slippage.
Note: Single split collars with bores 1/8" to 1-1/2" or 3mm to 35mm have a relief cut.