

Large-Bore SHURLOK Adapter Mounted Roller Bearing



We don't simply understand bearings.
We understand your business.





Large-Bore SHURLOK Adapter Mounted Roller Bearings

Available up to 6-15/16"

When equipment goes down you lose money — plain and simple. The Rex® SHURLOK™ adapter mounted roller bearing was designed to maximize uptime and minimize changeover time so you can keep your equipment — and your profits — going strong.

SHURLOK attacks the two primary causes of bearing failure: improper mounting to the shaft and contamination due to inadequate sealing.



REX ZLF/ZAF - Dimensionally Interchangeable to SAF-Style Bearing.

Large-Bore SHURLOK Adapter Mounted Roller Bearings

Maximize Uptime

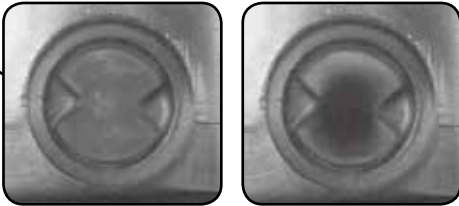
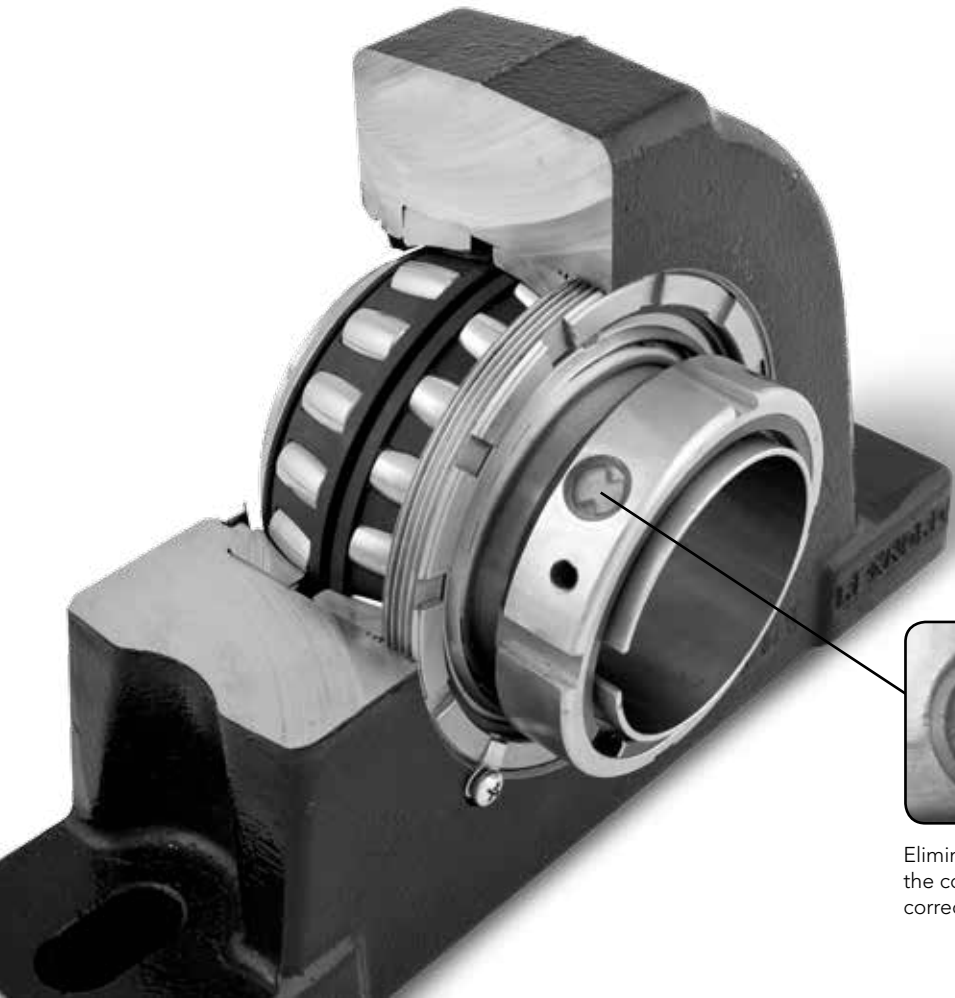
- Sealing solutions to fit any application — even underwater!
- Performance surfaces ground and super-finished
- Industry-best 4° of total misalignment

Minimize Changeover Downtime

- SHURLOK comes fully lubed with factory-set clearance
- Install four times faster than SAF-style adapter mounted bearings
- Integrated bearing puller makes removal a snap — removal guaranteed

Take The Mystery Out of Adapter Mounting

- SHURLOK tells you when it is properly tightened to the shaft
- No more feeler gauges — no more guesswork!



Eliminate guesswork in assembly with the Spyglass™ window: the color change tells you when the bearing has been correctly installed.



Industries Served

Aggregates
Air Handling
Construction Machinery
Food & Beverage
Forest Products
Material Handling
Mining
Pumps & Compressors
Heavy Duty Truck
Steel

General Bearing Information

Races

- 8620 case-carburized premium bearing steel.
- Precision ground and super-finished.

Housings

- Solid-housed from 1-15/16" to 6-15/16"
- Split-housed from 5-7/16" through 6-15/16"

Seals

- Z high speed high temp labyrinth seal, K light contact lip seal, M spring-loaded heavy contact lip seal, and auxiliary end caps with five-point protection plan; offering maximum protection.

Mounting Type

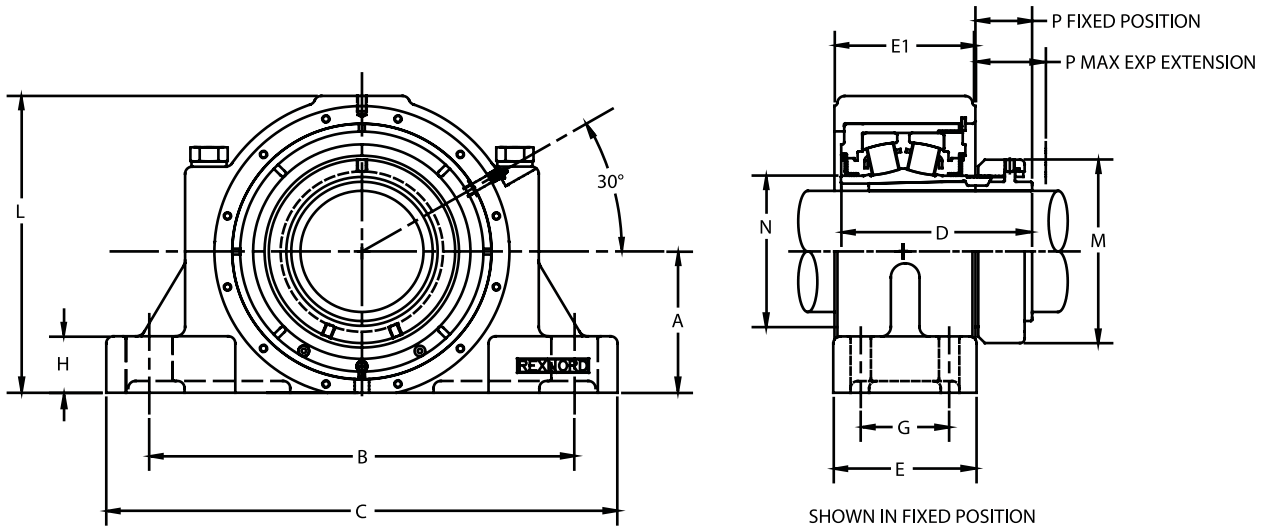
Adapter mount with Spyglass Optical Strain Sensor technology tells you when the bearing is properly tightened to the shaft.

Shaft Sizes

1-15/16" to 6-15/16"



Rex 6000 SHURLOK ZLF Split-Housed Pillow Block



Bearing Dimensions

Size Code	Shaft Diameter	Fixed Expansion		A Base to Centerline Height	B Min Distance Between Bolt Holes	B Max Distance Between Bolt Holes	G Bolt Hole Spacing (Width)	C	D	E	E1	F Bolts	H	L	M	N	P Fixed Position	P Max Expansion Position	Approx Weight
		Part Number	Part Number																
4 BOLT SPLIT PILLOW BLOCK																			
14	5 7/16	ZLF6507F	ZLFS6507F	6 11/16	17 3/8	19 1/4	3 3/4	22	8 49/64	6 1/4	6 3/4	1	2 5/8	13 11/16	8 1/64	6 1/2	2 11/32	3 3/64	248.00
15	5 15/16	ZLF6515F	ZLFS6515F	7 1/16	19 3/8	21 5/8	4 1/4	24 3/4	9 19/64	6 3/4	7	1	2 3/4	14 9/16	8 21/32	7 13/64	2 47/64	3 7/16	295.00
16	6 7/16	ZLF6607F	ZLFS6607F	7 1/2	20 7/8	23 5/8	4 5/8	26 3/4	10	7 1/2	7 3/8	1	3	15 3/4	9 3/4	8 3/64	2 31/32	3 43/64	355.00
16	6 15/16	ZLF6615F	ZLFS6615F	7 7/8	21 5/8	24 3/8	4 1/2	28	10	7 1/2	7 3/8	1 1/4	3 1/8	16 1/8	9 3/4	8 3/64	2 31/32	3 43/64	376.00

Please call 1-866-REXNORD for availability
 Lubrication fitting tap size 1/4" PT
 Base to Centerline ±.005"
 Bore Size = nominal shaft size +.001"/-.000"
 Seals - To specify M seal, replace "Z" in the part number with "M" Seals
 Auxiliary end caps available except as noted
 Expansion 3/4"

Selection Guide, see Rex Spherical Roller Bearings Selection Guide section within the Link-Belt®, MB®, and Rex® Bearings Catalog.

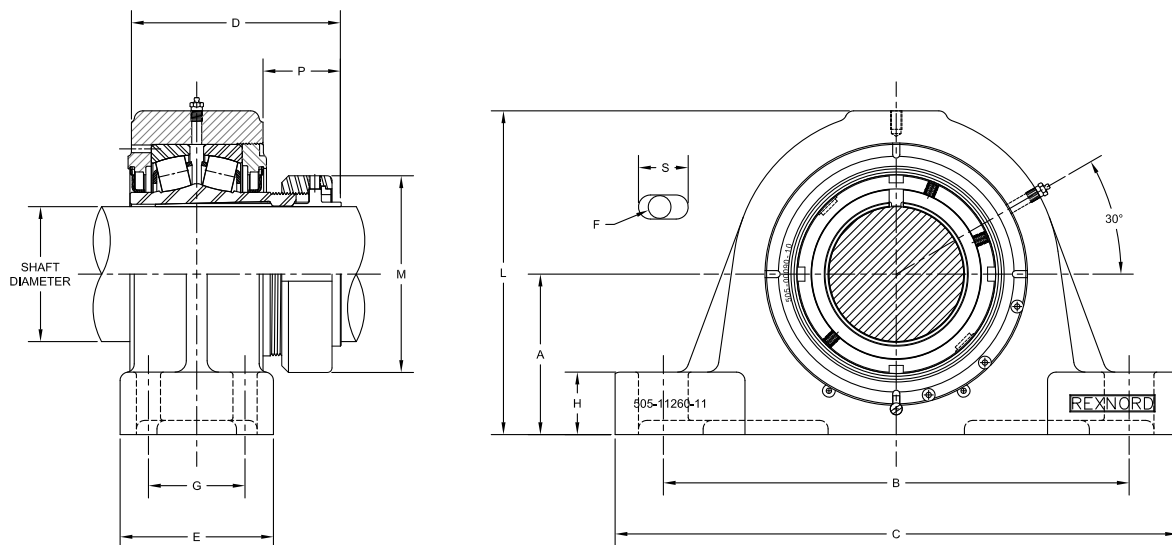
Load Ratings & Speed Limits, see Rex Spherical Roller Bearings Load Ratings & Speed Limits section.

Note: Dimensions subject to change. Certified dimensions of ordered material furnished on request.



Rex 6000 SHURLOK ZAF Solid-Housed Pillow Block

Available up to 6-15/16"



Bearing Dimensions

Size Code	Shaft Diameter	Part Number	Expansion			Fixed			Approx Weight (lbs)	A Base to Centerline Height	B Min Distance Between Bolt Holes	B Max Distance Between Bolt Holes	G Bolt Hole Spacing (Width)	C*	D	E	F Bolts	H	M	S
			L	P	Approx Weight (lbs)	Part Number	L	P												
2 BOLT PILLOW BLOCK																				
6	1 15/16	ZAFS6115	5 5/16	1 1/8	20.00	ZAF6115	5 5/16	1 1/8	16.50	2 3/4	7 3/8	7 7/8	9.625	3 41/64	2 3/4	5/8	1	2 55/64	15/16	
7	2 3/16	ZAFS6203	5 31/32	1 5/32	25.50	ZAF6203	5 31/32	1 5/32	21.00	3	8 1/8	9 1/2	11.000	3 49/64	3 1/8	5/8	1	3 15/64	1 3/8	
8	2 7/16	ZAFS6207	6 25/32	1 27/64	32.50	ZAF6207	6 25/32	1 27/64	32.50	3 1/4	8 5/8	9 5/8	11.125	4 5/32	3 1/8	5/8	1 1/4	3 19/32	1 3/16	
9	2 11/16	ZAFS6211	7 1/2	1 25/64	45.50	ZAF6211	7 1/2	1 25/64	45.50	3 1/2	9 7/8	11	12.594	4 17/32	3 1/2	3/4	1	4 3/32	1 3/8	
	2 15/16	ZAFS6215	7 3/4	1 25/64	45.00	ZAF6215	7 3/4	1 25/64	45.00	3 3/4	9 7/8	11	12.594	4 17/32	3 1/2	3/4	1 1/4	4 3/32	1 3/8	
10	3 3/16	ZAFS6303	8 1/4	1 19/32	59.00	ZAF6303	8 1/4	1 19/32	52.00	4	10 3/8	11 5/8	13.750	5 9/64	3 7/8	7/8	1 5/8	4 61/64	1 7/16	
	3 7/16	ZAFS6307	9 9/32	1 19/32	76.50	ZAF6307	9 9/32	1 19/32	76.50	4 1/2	11 5/8	13 1/8	15.375	5 9/64	4 11/32	7/8	2 1/16	4 61/64	1 11/16	
4 BOLT PILLOW BLOCK																				
8	2 7/16	ZAFS6207F	6 25/32	1 27/64	31.00	ZAF6207F	6 25/32	1 27/64	31.00	3 1/4	8 5/8	9 5/8	1 7/8	11.125	4 5/32	3 1/8	1/2	1 1/4	3 19/32	1 1/16
9	2 11/16	ZAFS6211F	7 1/2	1 25/64	45.00	ZAF6211F	7 1/2	1 25/64	45.00	3 1/2	9 7/8	11	2 1/8	12.594	4 17/32	3 1/2	5/8	1	4 3/32	1 1/4
	2 15/16	ZAFS6215F	7 3/4	1 25/64	44.50	ZAF6215F	7 3/4	1 25/64	44.50	3 3/4	9 7/8	11	2 1/8	12.594	4 17/32	3 1/2	5/8	1 1/4	4 3/32	1 1/4
10	3 3/16	ZAFS6303F	8 1/4	1 19/32	59.00	ZAF6303F	8 1/4	1 19/32	52.00	4	10 3/8	11 5/8	2 1/8	13.750	5 9/64	3 7/8	5/8	1 5/8	4 61/64	1 5/16
	3 7/16	ZAFS6307F	9 9/32	1 19/32	75.00	ZAF6307F	9 9/32	1 19/32	75.00	4 1/2	11 5/8	13 1/8	2 3/8	15.375	5 9/64	4 11/32	3/4	1 21/32	4 61/64	1 9/16
11	3 15/16	ZAFS6315F	10 5/16	1 47/64	103.00	ZAF6315F	10 5/16	1 47/64	103.00	4 15/16	12 19/32	14 1/2	2 3/4	16.500	5 31/32	4 3/4	3/4	1 25/32	5 43/64	1 53/64
12	4 7/16	ZAFS6407YF	11 7/8	1 7/8	144.00	ZAF6407YF	11 7/8	1 7/8	144.00	6	14 1/2	16	3 1/4	18.375	6 1/4	5 1/8	7/8	2 1/16	6 1/16	1 3/4
13	4 15/16	ZAFS6415F	12 9/16	2 1/4	208.00	ZAF6415F	12 9/16	2 1/4	208.00	6	15 5/8	17 3/8	3 3/8	19.703	7 15/16	5 7/8	1	2 1/16	6 61/64	1 15/16
14	5 7/16	ZAFS6507F	13 11/16	2 15/16	248.00	ZAF6507F	13 7/16	3 3/64	248.00	6 11/16	17 3/8	19 1/4	3 3/4	22.000	8 49/64	6 1/4	1	2 5/8	8 1/64	2
15	5 15/16	ZAFS6515F	14 9/16	3 23/64	295.00	ZAF6515F	14 1/4	3 7/16	295.00	7 1/16	19 3/8	21 5/8	4 1/4	24.750	9 19/64	6 3/4	1	2 3/4	8 21/32	2 3/16
16	6 7/16	ZAFS6607F	15 3/4	3 37/64	355.00	ZAF6607F	15 5/16	3 43/64	355.00	7 1/2	7 1/2	20 7/8	4 5/8	26.750	10	7 1/8	1	3	9 3/4	2 7/16
	6 15/16	ZAFS6615F	16 1/8	3 37/64	376.00	ZAF6615F	15 11/16	3 43/64	376.00	7 7/8	7 7/8	21 5/8	4 1/2	28.000	10	7 1/2	1 1/4	3 1/8	9 3/4	2 11/16

Please call 1-866-REXNORD for availability
 Lubrication fitting tap size: Size code 6-11, 1/8" PT; Size code 12-16 1/4" PT
 Base to Centerline ±.005"
 Bore Size = nominal shaft size +.001"/-.000"
 Expansion: Size code 6-8 3/8", Size code 9-11 1/2", Size code 12-16 3/4"
 Seals - To specify K or M seal, replace "Z" in the part number with "K" or "M"
 "K" Seals only available in size codes 6-11
 Auxiliary end caps available all sizes
 * "C" Dimension tolerance ±.0075" size codes 6-13, ±.015" size codes 14-16

Selection Guide, see Rex Spherical Roller Bearings Selection Guide section within the Link-Belt®, MB®, and Rex® Bearings Catalog.
 Load Ratings & Speed Limits, see Rex Spherical Roller Bearings Load Ratings & Speed Limits section.
 Note: Dimensions subject to change. Certified dimensions of ordered material furnished on request.



866-REXNORD/866-739-6673 (Within the U.S.)
414-643-2366 (Outside the U.S.)
www.rexnord.com

Why Choose Rexnord?

When it comes to providing highly engineered products that improve productivity and efficiency for industrial applications worldwide, Rexnord is the most reliable in the industry. Commitment to customer satisfaction and superior value extend across every business function.

Delivering Lowest Total Cost of Ownership

The highest quality products are designed to help prevent equipment downtime and increase productivity and dependable operation.

Valuable Expertise

An extensive product offering is accompanied by global sales specialists, customer service and maintenance support teams, available anytime.

Solutions to Enhance Ease of Doing Business

Commitment to operational excellence ensures the right products at the right place at the right time.



Rexnord Company Overview

Rexnord is a growth-oriented, multi-platform industrial company with leading market shares and highly trusted brands that serve a diverse array of global end markets.

Process and Motion Control

The Rexnord Process & Motion Control platform designs, manufactures, markets and services specified, highly engineered mechanical components used within complex systems where our customers' reliability requirements and the cost of failure or downtime are extremely high.

Water Management

The Rexnord Water Management platform designs, procures, manufactures and markets products that provide and enhance water quality, safety, flow control and conservation.