

Link-Belt® Bearings

**Link-
Belt®**

**New
Series
300**

RAO Interchange
Heavy-Duty
Ball Bearing

- High Capacity
- High Speed
- Minimum
Vibration
- Double Lip Seal



REXNORD

Link-Belt® Series 300 RAO Interchange Heavy-Duty Ball Bearing

Series 300 PL-Y300

- Casting Iron Solid-Base Housings
- Low Backing Height
- Alignable
- Cam-Lock Wide Inner Ring
- Double Lip Contact Seal
- Relubricatable

Seals

- Made for High Contamination Applications



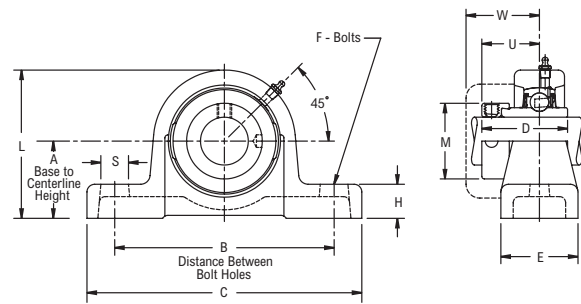
Double lip contact seal is held securely by a snap ring which prevents blowout during lubrication. Tough, stainless-steel guard protects the seal and rotates with the shaft, acting as a flinger of debris from the seal area.



Super-Finished

Bearing Races and Reinforced Nylon Retainers

The Series 300 deep-groove ball bearing's Super-Finished races and retainers are designed to improve surface lubrication and provide longer service life with exceptionally quiet operation.



Shaft Dia.	Pillow Block Number	A	B	C	D	E	F	H	L	U	"C" Rating lbs.	Max Speed rpm	Fafnir RAO Series Fixed
1-3/16	PL-Y319N	1-7/8	5-3/8	6-13/16	2-1/32	1-15/16	1/2	7/8	3-11/16	1-5/16	4,870	6100	RA01316
1-7/16	PL-Y323N	2-1/8	6	7-9/16	2-5/32	2-1/8	1/2	15/16	4-3/32	1-7/16	5,760	5400	RA0112
1-11/16	PL-Y327N	2-5/8	7-1/2	9-7/16	2-9/16	2-5/8	5/8	1-3/16	5-1/8	1-11/16	9,160	4300	RA011116
1-15/16	PL-Y331N	2-13/16	8-1/4	10-7/16	2-25/32	2-7/8	5/8	1-5/16	5-9/16	1-13/16	10,700	3900	RA011516
2-3/16	PL-Y335N	3-1/16	9	11-5/16	2-15/16	3-1/8	3/4	1-7/16	6-1/32	1-27/32	12,400	3550	RA02316
2-7/16	PL-Y339N	3-5/16	9-3/4	12-5/16	3-5/32	3-5/16	3/4	1-1/2	6-17/32	1-15/16	14,100	3250	RA02716
2-11/16	PL-Y343N	3-13/16	11-1/4	14-3/16	3-9/16	3-13/16	7/8	1-3/4	7-9/16	2-7/32	18,000	2800	RA021116
2-15/16	PL-Y347N	4-1/8	12	15-1/8	3-15/16	4-1/16	7/8	1-7/8	8-1/16	2-15/16	19,800	2650	RA021516



Rexnord Corporation
 Link-Belt Bearing Division
 7601 Rockville Road
 Indianapolis, Indiana 46214

PH: (317) 273-5500
 FAX: (317) 273-5620
www.rexnord.com