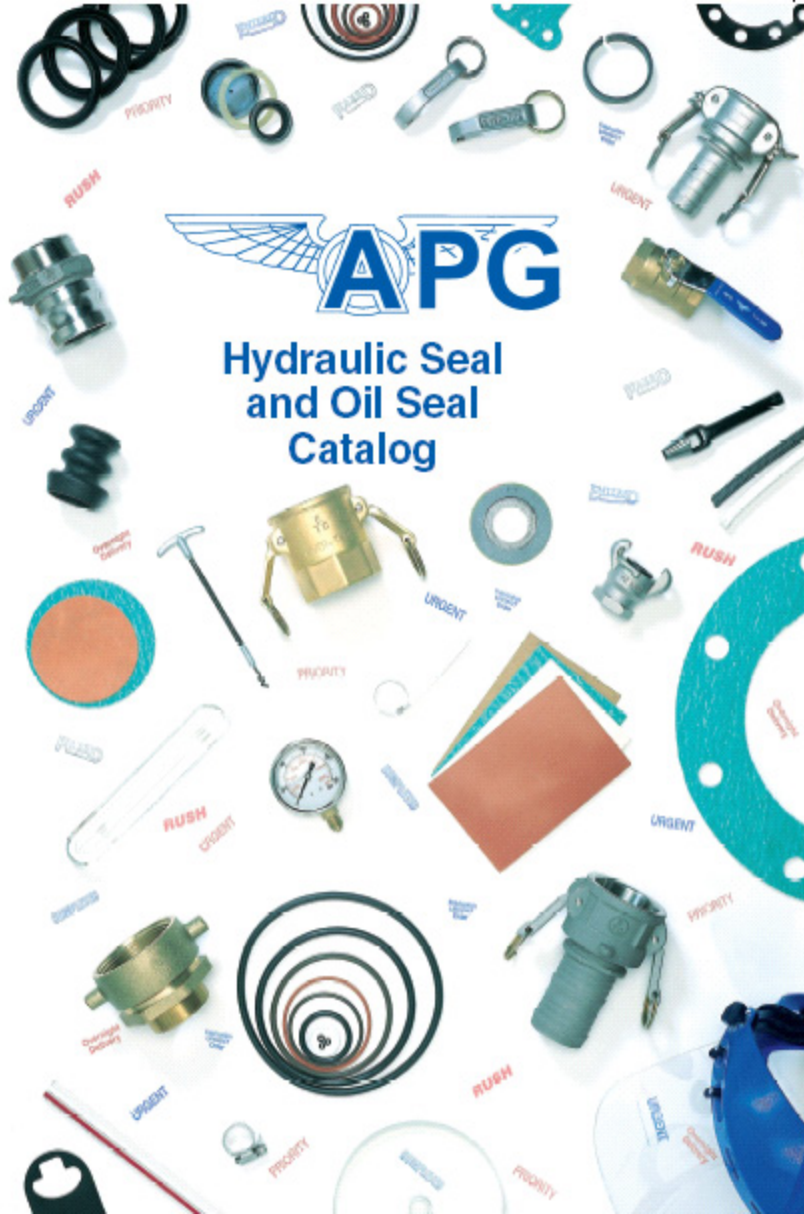


Packing and Gasket Material — Gasket Fabrication — Stripping and Adhesive Backing — Spiral Wound Gaskets — Mechanical Seal Components — Standard O-Rings — Metric O-Rings — O-Ring Kits — O-Ring Cord — Vulcanizing — Custom Rubber Fabrication — Hydraulic Seals — Pressure Gauges — Industrial Hose Couplings — Clamping and Banding Systems — Industrial Glass — Glass Fabrication — Plastic Products — Adhesives and Sealants



Hydraulic Seal and Oil Seal Catalog



www.callapg.com

713-675-5271
1-800-888-5223

FAX 713-675-2730
FAX 1-800-444-3252



Our Policy

Prices

Prices quoted are for acceptance within thirty days from date quoted. Unless specified, prices are based on our receiving order for quantities quoted.

Terms

Our terms of payment are 1% 10, net 30 days, unless other arrangements are made through our credit department.

Minimum Invoice

Orders consisting of O-Rings Only - \$5.00

Orders consisting of O-Rings and/or All Other Products (Excluding Plastic Products) - \$15.00

City Sales Counter - \$35.00

Plastic Products - \$50.00

Warranty

Products are warranted against defects in workmanship and defects in material. Products having such defects will be replaced or credited as APG elects. Liability is limited to the invoice value of the defective item. Our responsibility shall not exceed the original purchase price of the defective product. In any event, APG shall not be held responsible for any special or consequential damages. In all cases, please contact us for approval and routing of return items. All claims of shortage or damage must be made within 30 days after receipt of shipment.

Freight

All orders totaling less than \$1500 at NET prices are F.O.B. our warehouse with no freight allowance. Orders totaling \$1500 or more at NET prices, any product mix, receive full freight prepaid and allowed, provided such orders are for one shipment within the lower 48 continental United States and provided our normal freight modes are used. Special delivery charges incurred at the customer's request are for the customer's account. Exceptions to this freight prepaid and allowed policy: all glass products. These products are F.O.B. our warehouse with no freight allowance unless other items on the order total \$1500 or more at NET prices.

Catalog Information

Various information sources were used to compile this catalog. We offer this information only as a guide and cannot assume responsibility for accuracy of the data herein. Prices listed are current, subject to change.



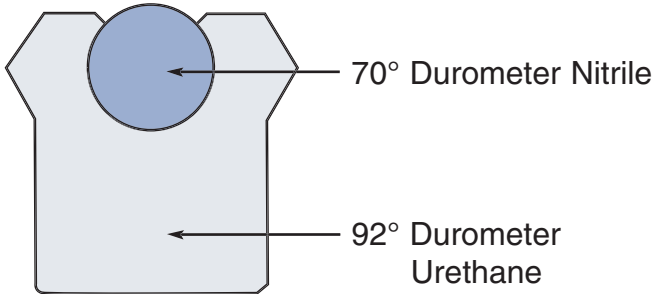
Table of Contents

Loaded Lip Seals	2	Piston Seals	39
Standard	2	Square (Style TPS1400)	39
Type "B"	2	Rectangular (Style TPR1800)	39
Deep Style	2	Piston Seal Installation Data	39
L9011 (Metric)	2	Square Piston Seal (TPS1400)	
Design Data	3	Dimensional Data	40
Rod Seal Installation	3	Rectangular Piston Seal (TPR1800)	
Piston Seal Installation	3	Dimensional Data	41
Dimensional Data	4	T-Seals	42
Standard	4	Piston T-Seal Dimensional Data	43
Type "B"	9	Rod T-Seal Dimensional Data	45
Deep Style	14	Vee Packings	47
L9011 (Metric)	18	Installation Data	47
U-Cups	19	Recommended Number of V-Rings per Set	47
8400 Series	19	Vee Packing Stack Height Chart	48
6226 Series	19	Vee Packing Dimensional Data	49
L9000 (Metric)	19	Piston Cups	52
Installation Data	20	Installation Data	52
Packing Space Chart	20	Dimensional Data	54
Dimensional Data	21	Metric Compact Piston Seals	55
8400 Series	21	ERKO	55
6226 Series	21	EZE	55
L9000 (Metric)	22	EZM	55
Rod Wipers	23	L43	55
Style WD (RWD)	23	Metric Compact Piston Seal	
Dimensional Data	23	Dimensional Data	56
Style WAN	25	Metric Oil Seals	58
Dimensional Data	25	Type R	58
Style WH	27	Type RST	58
Dimensional Data	27	Type RZV	58
Style WK	28	Type MZV	58
Dimensional Data	28	Type MST	58
Metric Wipers	29	Metric Oil Seal Popular Interchanges	58
Style M	29	Metric Nitrile Oil Seal Dimensional Data	59
Style P6	29	Metric Fluoroelastomer Oil Seal	
Style P7	29	Dimensional Data	84
Style P8	29	Metric V Seals	85
Metric Wiper Dimensional Data	29	Type A	85
Wear Rings	31	Type S	85
Piston Installation	31	Type L	85
Rod Installation	31	Metric Nitrile V Seal Dimensional Data	85
Wear Ring Dimensional Data/ Piston & Rod Installation Data	32	Metric Fluoroelastomer V Seal	
Dimensional Data		Dimensional Data	86
Wear Strips	38	Metric Bonded Seals	87
		Dimensional Data	87

The Complete APG Product Line is Listed on Pages 88 and 89



Loaded Lip Seals



Loaded Lip Seals are very versatile and can be used as rod seals or piston seals. They are considered to be multi-purpose seals and are designed for significantly improved performance. APG Loaded Lip Seals are molded from 92 Durometer Urethane with a 70 Durometer Nitrile energizer. The energizer ensures constant pressure on the sealing lips.

Temperature: -65° to +300°F

Pressure: 0 to 5000 psi

Fluids: Petroleum based Hydraulic Fluids

Standard

The Standard Loaded Lip Seal is the most widely used design of Loaded Lip Seal. By energizing the sealing lips with an endless O-ring, you are assured of uniform, positive lip contact and excellent low-pressure sealing. The seal depth is equal to the radial width, which results in a square design. Standard Loaded Lip Seals can be widely used to interchange with existing hydraulic packing and/or O-rings without changing dimensions.



Type "B"

The Loaded Lip Seal Type "B" features a back-beveled sealing lip. This provides greater film breaking and increased unit loading at the sealing surface. The seal depth is generally 1 1/2 times the radial width to ensure seal stability in the most rugged applications. It is most commonly used as a rod seal.



Deep Style

The Loaded Lip Seal – Deep Style incorporates the same unique design as the Standard Loaded Lip Seal, plus its depth is 1 1/2 times greater than the radial width. This increases seal stability to withstand rugged, high shock, heavy-duty applications. This seal will replace many kinds of Vee Packing. When minimum drag is needed, use Standard Loaded Lip Seals or Loaded Lip Seals – Deep Style.



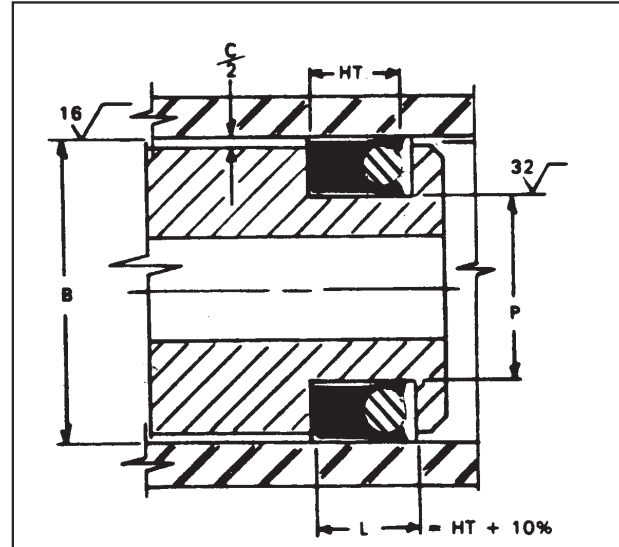
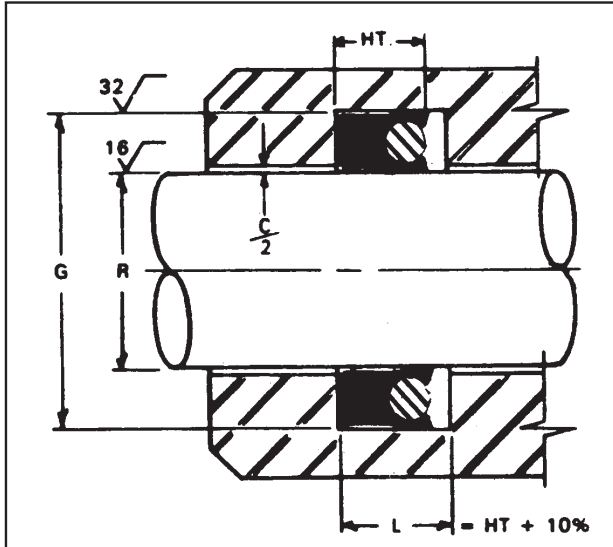
L9011 (Metric)

The L9011 Loaded Lip Seal incorporates the same unique design as the Type "B". The energizer, however, is a Q-Ring instead of an O-Ring.





Loaded Lip Seal Design Data



Rod Seal Installation

Piston Seal Installation

Rod Dia.	Tolerance of Rod Dia.	Tolerance of Groove Dia.	Max. Diametrical Clearance C		
			1000 PSI	3000 PSI	5000 PSI
R	R	G			
0 - 3/4	+0 -0.002	+0.004 -0	.008	.006	.004
3/4 - 1 1/4	+0 -0.003	+0.005 -0	.010	.008	.004
1 1/4 - 2	+0 -0.003	+0.006 -0	.012	.008	.004
2 - 3	-0 -0.003	+0.007 -0	.012	.008	.005
3 - 5	+0 -0.004	+0.009 -0	.014	.010	
5 - 7	+0 -0.004	+0.010 -0	.014	.010	
7 - 9	+0 -0.005	+0.011 -0	.016	.010	
9 - 12	+0 -0.005	+0.012 -0	.016		
12 - 17	+0 -0.006	+0.012 -0	.018		

Cylinder Dia.	Tolerance of Cylinder Dia.	Tolerance of Groove Dia.	Max. Diametrical Clearance C		
			1000 PSI	3000 PSI	5000 PSI
B	B	P			
0 - 3/4	+0.002 -0	+0 -0.004	.008	.006	.004
3/4 - 1 1/4	+0.003 -0	+0 -0.005	.010	.008	.004
1 1/4 - 2	+0.003 -0	+0 -0.006	.012	.008	.004
2 - 3	+0.003 -0	+0 -0.007	.012	.008	.005
3 - 5	+0.004 -0	+0 -0.009	.014	.010	
5 - 7	+0.004 -0	+0 -0.010	.014	.010	
7 - 9	+0.005 -0	+0 -0.011	.016	.010	
9 - 12	+0.005 -0	+0 -0.012	.016		
12 - 17	+0.006 -0	+0 -0.012	.018		



Loaded Lip Seal Dimensional Data

Standard Loaded Lip Seals

Part Number	Inside Diameter (Inches)	Outside Diameter (Inches)
1/8" Cross Section		
**	1/16	5/16
**	3/32	11/32
L12500125	1/8	3/8
L12500187	3/16	7/16
L12500250	1/4	1/2
L12500312	5/16	9/16
**	23/64	39/64
L12500375	3/8	5/8
L12500437	7/16	11/16
L12500500	1/2	3/4
**	17/32	25/32
L12500562	9/16	13/16
L12500625	5/8	7/8
L12500687	11/16	15/16
L12500750	3/4	1
L12500812	13/16	1 1/16
L12500875	7/8	1 1/8
**	29/32	1 5/32
L12500937	15/16	1 3/16
L12501000	1	1 1/4
L12501062	1 1/16	1 5/16
L12501125	1 1/8	1 3/8
L12501187	1 3/16	1 7/16
L12501250	1 1/4	1 1/2
L12501312	1 5/16	1 9/16
L12501375	1 3/8	1 5/8
**	1 7/16	1 11/16
L12501500	1 1/2	1 3/4
**	1 9/16	1 13/16
L12501625	1 5/8	1 7/8
**	1 11/16	1 15/16
L12501750	1 3/4	2
L12501875	1 7/8	2 1/8
L12502000	2	2 1/4
L12502125	2 1/8	2 3/8
L12502250	2 1/4	2 1/2
**	2 3/8	2 5/8
L12502500	2 1/2	2 3/4
**	2 5/8	2 7/8
L12502750	2 3/4	3
**	2 7/8	3 1/8
L12503000	3	3 1/4
L12503250	3 1/4	3 1/2
**	3 3/8	3 5/8
**	3 1/2	3 3/4
L12504000	4	4 1/4
L12504250	4 1/4	4 1/2
**	4 3/8	4 5/8
**	4 1/2	4 3/4
**	4 3/4	5
**	5	5 1/4
**	5 3/4	6

Part Number	Inside Diameter (Inches)	Outside Diameter (Inches)
5/32" Cross Section		
L15600437	7/16	3/4
L15600750	3/4	1 1/16
L15600937	15/16	1 1/4
L15601000	1	1 5/16
L15601062	1 1/16	1 3/8
L15601187	1 3/16	1 1/2
L15601250	1 1/4	1 9/16
L15601375	1 3/8	1 11/16
**	2 1/16	2 3/8
11/64" Cross Section		
**	9/16	29/32
3/16" Cross Section		
L18700187	3/16	9/16
L18700250	1/4	5/8
L18700312	5/16	11/16
L18700375	3/8	3/4
L18700437	7/16	13/16
L18700500	1/2	7/8
L18700562	9/16	15/16
L18700625	5/8	1
**	21/32	1 1/32
L18700687	11/16	1 1/16
L18700750	3/4	1 1/8
**	13/16	1 3/16
L18700875	7/8	1 1/4
**	15/16	1 5/16
L18701000	1	1 3/8
L18701062	1 1/16	1 7/16
L18701125	1 1/8	1 1/2
L18701187	1 3/16	1 9/16
L18701250	1 1/4	1 5/8
L18701312	1 5/16	1 11/16
L18701375	1 3/8	1 3/4
**	1 7/16	1 13/16
L18701500	1 1/2	1 7/8
L18701562	1 9/16	1 15/16
L18701625	1 5/8	2
L18701687	1 11/16	2 1/16
L18701750	1 3/4	2 1/8
**	1 13/16	2 3/16
L18701875	1 7/8	2 1/4
**	1 15/16	2 5/16
L18702000	2	2 3/8
**	2 1/16	2 7/16
L18702125	2 1/8	2 1/2
L18702250	2 1/4	2 5/8
L18702375	2 3/8	2 3/4
L18702500	2 1/2	2 7/8
L18702625	2 5/8	3
L18702750	2 3/4	3 1/8
L18702875	2 7/8	3 1/4
L18703000	3	3 3/8

Part Number	Inside Diameter (Inches)	Outside Diameter (Inches)
3/16" Cross Section (Continued)		
L18703125	3 1/8	3 1/2
L18703250	3 1/4	3 5/8
L18703375	3 3/8	3 3/4
L18703500	3 1/2	3 7/8
L18703625	3 5/8	4
L18703750	3 3/4	4 1/8
L18703875	3 7/8	4 1/4
L18704000	4	4 3/8
L18704125	4 1/8	4 1/2
L18704250	4 1/4	4 5/8
**	4 3/8	4 3/4
L18704500	4 1/2	4 7/8
**	4 3/4	5 1/8
**	4 7/8	5 1/4
**	5 11/16	6 1/16
**	5 7/8	6 1/4
**	6	6 3/8
**	6 5/16	6 11/16
7/32" Cross Section		
**	5/16	3/4
**	7/16	7/8
**	9/16	1
**	3/4	1 3/16
**	15/16	1 3/8
**	1 3/4	2 3/16
**	2 1/16	2 1/2
**	2 1/2	2 5/16
**	2 9/16	3
**	2 13/16	3 1/4
**	3	3 7/16
1/4" Cross Section		
L25000250	1/4	3/4
L25000312	5/16	13/16
L25000375	3/8	7/8
L25000437	7/16	15/16
L25000500	1/2	1
L25000562	9/16	1 1/16
L25000625	5/8	1 1/8
L25000687	11/16	1 3/16
L25000750	3/4	1 1/4
L25000812	13/16	1 5/16
L25000875	7/8	1 3/8
**	15/16	1 7/16
L25001000	1	1 1/2
**	1 1/16	1 9/16
**	1 3/32	1 19/32
L25001125	1 1/8	1 5/8
L25001187	1 3/16	1 11/16
L25001250	1 1/4	1 3/4
L25001312	1 5/16	1 13/16
L25001375	1 3/8	1 7/8

**Not currently an APG stock item. Call for availability.



Standard Loaded Lip Seals (Continued)

Part Number	Inside Diameter (Inches)	Outside Diameter (Inches)
1/4" Cross Section (Continued)		
**	1 7/16	1 15/16
L25001500	1 1/2	2
L25001625	1 5/8	2 1/8
L25001750	1 3/4	2 1/4
L25001875	1 7/8	2 3/8
L25002000	2	2 1/2
L25002125	2 1/8	2 5/8
L25002250	2 1/4	2 3/4
L25002375	2 3/8	2 7/8
L25002500	2 1/2	3
L25002625	2 5/8	3 1/8
L25002750	2 3/4	3 1/4
L25002875	2 7/8	3 3/8
L25003000	3	3 1/2
L25003125	3 1/8	3 5/8
L25003250	3 1/4	3 3/4
L25003375	3 3/8	3 7/8
L25003500	3 1/2	4
L25003625	3 5/8	4 1/8
L25003750	3 3/4	4 1/4
**	3.85	4.35
**	3 7/8	4 3/8
L25004000	4	4 1/2
L25004125	4 1/8	4 5/8
L25004250	4 1/4	4 3/4
L25004375	4 3/8	4 7/8
L25004500	4 1/2	5
L25004625	4 5/8	5 1/8
L25004750	4 3/4	5 1/4
L25004875	4 7/8	5 3/8
L25005000	5	5 1/2
**	5 1/8	5 5/8
L25005250	5 1/4	5 3/4
L25005375	5 3/8	5 7/8
L25005500	5 1/2	6
**	5 5/8	6 1/8
**	5 3/4	6 1/4
L25005875	5 7/8	6 3/8
L25006000	6	6 1/2
L25006250	6 1/4	6 3/4
L25006500	6 1/2	7
**	6 3/4	7 1/4
L25007000	7	7 1/2
**	7 1/8	7 5/8
L25007250	7 1/4	7 3/4
L25007500	7 1/2	8
**	7 3/4	8 1/4
**	7 13/16	8 5/16
L25008000	8	8 1/2
**	8 1/2	9
**	8 3/4	9 1/4
**	9	9 1/2
**	9 1/4	9 3/4
**	9 1/2	10
**	9 3/4	10 1/4
**	10	10 1/2
**	10 1/2	11

Part Number	Inside Diameter (Inches)	Outside Diameter (Inches)
1/4" Cross Section (Continued)		
**	10 3/4	11 1/4
**	10 7/8	11 3/8
**	11	11 1/2
**	11 1/4	11 3/4
**	11 1/2	12
**	12	12 1/2
**	12 1/2	13
**	13	13 1/2
**	13 1/2	14
**	24 1/2	25
9/32" Cross Section		
**	3/16	3/4
**	11/16	1 1/4
**	2 5/16	2 7/8
**	2 9/16	3 1/8
**	4 7/16	5
**	5	5 9/16
L28105437	5 7/16	6
**	6 7/16	7
**	8 1/2	9 1/16
5/16" Cross Section		
**	1/4	7/8
**	3/8	1
**	7/16	1 1/16
**	1/2	1 1/8
L31200625	5/8	1 1/4
**	11/16	1 5/16
L31200750	3/4	1 3/8
**	7/8	1 1/2
L31201000	1	1 5/8
**	1 1/16	1 11/16
L31201125	1 1/8	1 3/4
L31201187	1 3/16	1 13/16
L31201250	1 1/4	1 7/8
**	1 5/16	1 15/16
L31201375	1 3/8	2
L31201500	1 1/2	2 1/8
L31201625	1 5/8	2 1/4
**	1 11/16	2 5/16
L31201750	1 3/4	2 3/8
L31201875	1 7/8	2 1/2
**	1 15/16	2 9/16
L31202000	2	2 5/8
L31202125	2 1/8	2 3/4
L31202250	2 1/4	2 7/8
**	2 5/16	2 15/16
L31202375	2 3/8	3
L31202500	2 1/2	3 1/8
**	2 9/16	3 3/16
**	2 5/8	3 1/4
L31202750	2 3/4	3 3/8
L31202875	2 7/8	3 1/2
L31203000	3	3 5/8
L31203125	3 1/8	3 3/4
L31203250	3 1/4	3 7/8
L31203375	3 3/8	4
L31203500	3 1/2	4 1/8

Part Number	Inside Diameter (Inches)	Outside Diameter (Inches)
5/16" Cross Section (Continued)		
L31203625	3 5/8	4 1/4
L31203750	3 3/4	4 3/8
L31203875	3 7/8	4 1/2
**	4	4 5/8
**	4 1/8	4 3/4
**	4 1/4	4 7/8
L31204375	4 3/8	5
**	4 1/2	5 1/8
**	4 3/4	5 3/8
**	4 7/8	5 1/2
L31205000	5	5 5/8
**	5 1/8	5 3/4
**	5 1/4	5 7/8
**	5 3/8	6
**	5 1/2	6 1/8
**	5 7/8	6 1/2
**	6	6 5/8
**	6 1/8	6 3/4
**	6 1/4	6 7/8
**	6 3/8	7
**	6 1/2	7 1/8
**	6 5/8	7 1/4
**	6 3/4	7 3/8
**	7	7 5/8
**	7 1/4	7 5/8
L31207375	7 3/8	8
**	7 1/2	8 1/8
**	8	8 5/8
**	8 7/8	9 1/2
**	10 1/8	10 3/4
**	12 3/4	13 3/8
**	13 3/8	14
**	14 1/4	14 7/8
**	14 7/8	15 1/2
**	15 7/8	16 1/2
**	21 13/16	22 7/16
11/32" Cross Section		
**	3/4	1 7/16
**	1 1/16	1 3/4
**	1 5/16	2
**	1 13/16	2 1/2
**	2 5/16	3
**	2 1/2	3 3/16
**	2 11/16	3 3/8
**	9 5/16	10
23/64" Cross Section		
**	29/32	1 5/8
3/8" Cross Section		
**	1/2	1 1/4
**	5/8	1 3/8
**	3/4	1 1/2
**	7/8	1 5/8
**	15/16	1 11/16

** Not currently an APG stock item. Call for availability.



Standard Loaded Lip Seals (Continued)

Part Number	Inside Diameter (Inches)	Outside Diameter (Inches)
3/8" Cross Section (Continued)		
L37501000	1	1 3/4
L37501125	1 1/8	1 7/8
L37501250	1 1/4	2
**	1 5/16	2 1/16
L37501375	1 3/8	2 1/8
**	1 7/16	2 3/16
L37501500	1 1/2	2 1/4
**	1 9/16	2 5/16
L37501625	1 5/8	2 3/8
L37501750	1 3/4	2 1/2
L37501875	1 7/8	2 5/8
L37502000	2	2 3/4
**	2 1/16	2 13/16
L37502125	2 1/8	2 7/8
L37502250	2 1/4	3
L37502375	2 3/8	3 1/8
**	2 7/16	3 3/16
L37502500	2 1/2	3 1/4
L37502625	2 5/8	3 3/8
**	2 11/16	3 7/16
L37502750	2 3/4	3 1/2
**	2 7/8	3 5/8
**	2 15/16	3 11/16
L37503000	3	3 3/4
L37503125	3 1/8	3 7/8
L37503250	3 1/4	4
L37503375	3 3/8	4 1/8
L37503500	3 1/2	4 1/4
**	3 5/8	4 3/8
L37503750	3 3/4	4 1/2
**	3 27/32	4 19/32
**	3 7/8	4 5/8
L37504000	4	4 3/4
L37504125	4 1/8	4 7/8
L37504250	4 1/4	5
**	4 3/8	5 1/8
L37504500	4 1/2	5 1/4
L37504625	4 5/8	5 3/8
L37504750	4 3/4	5 1/2
**	4 7/8	5 5/8
L37505000	5	5 3/4
**	5 1/8	5 7/8
L37505250	5 1/4	6
L37505375	5 3/8	6 1/8
L37505500	5 1/2	6 1/4
**	5 5/8	6 3/8
L37505750	5 3/4	6 1/2
**	5 7/8	6 5/8
L37506000	6	6 3/4
L37506250	6 1/4	7
L37506500	6 1/2	7 1/4
**	6 3/4	7 1/2
**	7	7 3/4
**	7 1/4	8
L37507500	7 1/2	8 1/4
**	7 5/8	8 3/8
**	7 3/4	8 1/2

Part Number	Inside Diameter (Inches)	Outside Diameter (Inches)
3/8" Cross Section (Continued)		
**	8	8 3/4
**	8 1/4	9
**	8 1/2	9 1/4
**	8 5/8	9 3/8
**	8 3/4	9 1/2
**	9	9 3/4
L37509250	9 1/4	10
**	9 1/2	10 1/4
**	9 3/4	10 1/2
**	9 7/8	10 5/8
**	10	10 3/4
**	10 1/4	11
**	10 1/2	11 1/4
**	11	11 3/4
**	11 1/4	12
**	11 1/2	12 1/4
**	11 3/4	12 1/2
**	12	12 3/4
**	12 1/4	13
**	12 1/2	13 1/4
**	12 3/4	13 1/2
**	13	13 3/4
**	13 1/4	14
**	13 1/2	14 1/4
**	13 3/4	14 1/2
**	14	14 3/4
**	14 1/2	15 1/4
**	14 3/4	15 1/2
**	15	15 3/4
**	15 1/2	16 1/4
**	16 1/4	17
**	17 1/4	18
**	23	23 3/4
13/32" Cross Section		
**	1 3/16	2
**	1 7/16	2 1/4
**	1 11/16	2 1/2
**	1 3/4	2 9/16
**	2 11/16	3 1/2
**	7 3/16	8
7/16" Cross Section		
L43701000	1	1 7/8
**	1 3/8	2 1/4
**	1 7/16	2 5/16
**	1 1/2	2 3/8
**	1 3/4	2 5/8
**	1 7/8	2 3/4
**	2	2 7/8
**	2 1/8	3
**	2 1/2	3 3/8
**	2 7/8	3 3/4
**	3	3 7/8
**	3 1/8	4
**	3 1/4	4 1/8
**	3 5/8	4 1/2

Part Number	Inside Diameter (Inches)	Outside Diameter (Inches)
7/16" Cross Section (Continued)		
**	4	4 7/8
L43704500	4 1/2	5 3/8
**	4 3/4	5 5/8
**	5 1/8	6
L43705500	5 1/2	6 3/8
1/2" Cross Section		
**	5/8	1 5/8
L50001000	1	2
**	1 1/8	2 1/8
**	1 1/4	2 1/4
**	1 5/16	2 5/16
**	1 3/8	2 3/8
L50001500	1 1/2	2 1/2
**	1 3/4	2 3/4
L50001875	1 7/8	2 7/8
L50002000	2	3
**	2 1/4	3 1/4
**	2 3/8	3 3/8
L50002500	2 1/2	3 1/2
**	2 3/4	3 3/4
**	2 7/8	3 7/8
L50003000	3	4
L50003250	3 1/4	4 1/4
L50003500	3 1/2	4 1/2
**	3 5/8	4 5/8
**	3 3/4	4 3/4
**	4	5
**	4 1/8	5 1/8
**	4 1/4	5 1/4
**	4 5/16	5 5/16
**	4 3/8	5 3/8
L50004500	4 1/2	5 1/2
**	4 3/4	5 3/4
L50005000	5	6
**	5 1/8	6 1/8
**	5 1/4	6 1/4
**	5 3/8	6 3/8
**	5 7/16	6 7/16
L50005500	5 1/2	6 1/2
**	5 3/4	6 3/4
L50006000	6	7
**	6 1/4	7 1/4
**	6 3/8	7 3/8
L50006500	6 1/2	7 1/2
**	6 3/4	7 3/4
L50007000	7	8
**	7 1/4	8 1/4
L50007500	7 1/2	8 1/2
**	7 3/4	8 3/4
**	8	9
**	8 1/8	9 1/8
**	8 1/4	9 1/4
L50008500	8 1/2	9 1/2
**	8 3/4	9 3/4
L50009000	9	10
**	9 1/2	10 1/2

** Not currently an APG stock item. Call for availability.



Standard Loaded Lip Seals (Continued)

Part Number	Inside Diameter (Inches)	Outside Diameter (Inches)
1/2" Cross Section (Continued)		
**	9 3/4	10 3/4
L50010000	10	11
**	10 1/2	11 1/2
**	10 3/4	11 3/4
**	10 7/8	11 7/8
**	11	12
**	11 1/4	12 1/4
**	11 1/2	12 1/2
**	11 3/4	12 3/4
**	12	13
**	12 3/4	13 3/4
**	13	14
**	13 1/4	14 1/4
**	14	15
**	14 1/2	15 1/2
**	15	16
**	15 1/2	16 1/2
**	15 3/4	16 3/4
**	16 1/2	17 1/2
**	17	18
**	17 1/2	18 1/2
**	19	20
**	19 1/2	20 1/2
**	20	21
**	21	22
**	21 1/8	22 1/8
**	23	24
**	28	29
**	31	32
**	32	33
9/16" Cross Section		
**	2 1/2	3 5/8
**	5 1/2	6 5/8
**	6 3/4	7 7/8
5/8" Cross Section		
**	1 1/4	2 1/2
**	1 3/4	3
**	1 13/16	3 1/16
**	2	3 1/4
**	2 1/4	3 1/2
**	2 3/8	3 5/8
**	2 1/2	3 3/4
**	2 3/4	4
**	2 13/16	4 1/16
**	3	4 1/4
**	3 1/4	4 1/2
**	3 3/8	4 5/8
L62503500	3 1/2	4 3/4
**	3 3/4	5
**	3 7/8	5 1/8
**	4	5 1/4
L62504250	4 1/4	5 1/2
**	4 1/2	5 3/4
**	4 5/8	5 7/8
L62504750	4 3/4	6

Part Number	Inside Diameter (Inches)	Outside Diameter (Inches)
5/8" Cross Section (Continued)		
L62505000	5	6 1/4
**	5 1/2	6 3/4
L62505750	5 3/4	7
**	6	7 1/4
**	6 1/4	7 1/2
**	6 1/2	7 3/4
**	6 5/8	7 7/8
**	6 3/4	8
**	6 13/16	8 1/16
**	6 7/8	8 1/8
**	7	8 1/4
**	7 3/4	9
**	8	9 1/4
**	8 3/16	9 7/16
**	8 1/4	9 1/2
**	8 3/8	9 5/8
**	8 1/2	9 3/4
**	8 5/8	9 7/8
**	8 3/4	10
**	9	10 1/4
**	9 1/4	10 1/2
**	9 3/4	11
**	10	11 1/4
**	10 1/4	11 1/2
**	10 1/2	11 3/4
**	11	12 1/2
**	12	13 1/4
**	12 3/4	14
**	14 3/4	16
**	15	16 1/4
**	16 3/4	18
**	18 3/4	20
**	20	21 1/4
**	24 3/4	26
11/16" Cross Section		
**	3	4 3/8
3/4" Cross Section		
**	3	4 1/2
**	3 1/2	5
**	3 3/4	5 1/4
**	4	5 1/2
**	4 1/2	6
**	5	6 1/2
**	5 1/2	7
**	6	7 1/2
**	6 1/2	8
**	7	8 1/2
**	7 1/2	9
**	8	9 1/2
**	8 1/4	9 3/4
**	8 1/2	10
**	9	10 1/2
**	9 1/2	11
**	10	11 1/2
**	10 1/2	12

Part Number	Inside Diameter (Inches)	Outside Diameter (Inches)
3/4" Cross Section (Continued)		
**	10 3/4	12 1/4
**	11	12 1/2
**	12	13 1/2
**	12 1/2	14
**	13	14 1/2
**	13 1/2	15
**	13 3/4	15 1/4
**	14	15 1/2
**	14 1/4	15 3/4
**	14 1/2	16
**	14 3/4	16 1/4
**	16	17 1/2
**	18	19 1/2
**	19 1/2	21
**	20 1/2	22
**	22	23 1/2
**	22 1/2	24
**	25 1/2	27
**	26	27 1/2
**	34 1/4	35 3/4
**	58	59 1/2
7/8" Cross Section		
**	7 3/4	9 1/2
**	8 1/2	10 1/4
**	9 3/4	11 1/2
**	16 1/4	18
**	19 1/4	21
**	20	21 3/4
1" Cross Section		
**	2	4
**	3	5
**	4	6
**	4 1/4	6 1/4
**	5	7
**	6	8
**	7	9
**	7 1/2	9 1/2
**	8	10
**	9	11
**	10	12
**	11	13
**	11 3/4	13 3/4
**	12	14
**	12 1/2	14 1/2
**	13	15
**	14	16
**	14 1/2	16 1/2
**	15	17
**	16	18
**	18 1/2	20 1/2
**	28	30
1 1/16" Cross Section		
**	4 1/2	6 5/8

**Not currently an APG stock item. Call for availability.

www.callapg.com

713-675-5271
1-800-888-5223

FAX 713-675-2730
FAX 1-800-444-3252



Standard Loaded Lip Seals (Continued)

Part Number	Inside Diameter (Inches)	Outside Diameter (Inches)
1 1/16" Cross Section (Continued)		
**	14	16 1/8
1 1/8" Cross Section		
**	10	12 1/4
**	12	14 1/4
**	30	32 1/4
1 3/16" Cross Section		
**	12 7/8	15 1/4



"America's Most Responsive Warehouse"

Let us show you why!

**Not currently an APG stock item. Call for availability.

www.callapg.com

713-675-5271
1-800-888-5223

FAX 713-675-2730
FAX 1-800-444-3252



Loaded Lip Seals Type "B"

Part Number	Inside Diam. (Inches)	Outside Diam. (Inches)	Depth (Inches)
1/8" Cross Section			
L12500125250B	1/8	3/8	1/4
L12500187250B	3/16	7/16	1/4
L12500250250B	1/4	1/2	1/4
L12500312250B	5/16	9/16	1/4
L12500375250B	3/8	5/8	1/4
L12500437250B	7/16	11/16	1/4
L12500500125B	1/2	3/4	1/8
L12500500250B	1/2	3/4	1/4
L12500562250B	9/16	13/16	1/4
L12500625187B	5/8	7/8	3/16
L12500625250B	5/8	7/8	1/4
L12500687250B	11/16	15/16	1/4
L12500750125B	3/4	1	1/8
L12500750187B	3/4	1	3/16
L12500750250B	3/4	1	1/4
**	13/16	1 1/16	1/8
L12500812250B	13/16	1 1/16	1/4
L12500875250B	7/8	1 1/8	1/4
**	15/16	1 3/16	1/4
L12501000125B	1	1 1/4	1/8
L12501000187B	1	1 1/4	3/16
L12501000250B	1	1 1/4	1/4
L12501062250B	1 1/16	1 5/16	1/4
L12501125250B	1 1/8	1 3/8	1/4
L12501187250B	1 3/16	1 7/16	1/4
L12501250187B	1 1/4	1 1/2	3/16
L12501250250B	1 1/4	1 1/2	1/4
**	1 5/16	1 9/16	3/16
L12501375250B	1 3/8	1 5/8	1/4
L12501375312B	1 3/8	1 5/8	5/16
L12501437250B	1 7/16	1 11/16	1/4
L12501500250B	1 1/2	1 3/4	1/4
L12501750250B	1 3/4	2	1/4
L12501875125B	1 7/8	2 1/8	1/8
L12501875250B	1 7/8	2 1/8	1/4
L12502000250B	2	2 1/4	1/4
L12502125250B	2 1/8	2 3/8	1/4
L12502250250B	2 1/4	2 1/2	1/4
L12502500250B	2 1/2	2 3/4	1/4
L12502750250B	2 3/4	3	1/4
3/16" Cross Section			
L18700250312B	1/4	5/8	5/16
L18700312312B	5/16	11/16	5/16
L18700375312B	3/8	3/4	5/16
L18700437312B	7/16	13/16	5/16
L18700500312B	1/2	7/8	5/16
L18700562312B	9/16	15/16	5/16
L18700625312B	5/8	1	5/16
L18700687312B	11/16	1 1/16	5/16
L18700750312B	3/4	1 1/8	5/16
L18700750375B	3/4	1 1/8	3/8
L18700812312B	13/16	1 3/16	5/16
L18700875312B	7/8	1 1/4	5/16
L18700937312B	15/16	1 5/16	5/16
L18701000312B	1	1 3/8	5/16
L18701062312B	1 1/16	1 7/16	5/16
L18701125187B	1 1/8	1 1/2	3/16

Part Number	Inside Diam. (Inches)	Outside Diam. (Inches)	Depth (Inches)
3/16" Cross Section (Continued)			
L18701125312B	1 1/8	1 1/2	5/16
L18701125375B	1 1/8	1 1/2	3/8
L18701187312B	1 3/16	1 9/16	5/16
L18701250250B	1 1/4	1 5/8	1/4
L18701250312B	1 1/4	1 5/8	5/16
L18701250375B	1 1/4	1 5/8	3/8
L18701312312B	1 5/16	1 11/16	5/16
L18701375250B	1 3/8	1 3/4	1/4
L18701375312B	1 3/8	1 3/4	5/16
L18701375375B	1 3/8	1 3/4	3/8
L18701437312B	1 7/16	1 13/16	5/16
L18701500187B	1 1/2	1 7/8	3/16
L18701500250B	1 1/2	1 7/8	1/4
**	1 1/2	1 7/8	.260
L18701500312B	1 1/2	1 7/8	5/16
L18701500375B	1 1/2	1 7/8	3/8
L18701625312B	1 5/8	2	5/16
L18701625375B	1 5/8	2	3/8
L18701750312B	1 3/4	2 1/8	5/16
L18701750375B	1 3/4	2 1/8	3/8
L18701875375B	1 7/8	2 1/4	3/8
L18702000312B	2	2 3/8	5/16
L18702000375B	2	2 3/8	3/8
L18702125187B	2 1/8	2 1/2	3/16
L18702125250B	2 1/8	2 1/2	1/4
L18702125375B	2 1/8	2 1/2	3/8
L18702250312B	2 1/4	2 5/8	5/16
L18702250375B	2 1/4	2 5/8	3/8
L18702375375B	2 3/8	2 3/4	3/8
**	2 3/8	2 3/4	7/16
**	2 1/2	2 7/8	1/4
L18702500375B	2 1/2	2 7/8	3/8
L18702625281B	2 5/8	3	9/32
L18702625375B	2 5/8	3	3/8
**	2 3/4	3 1/8	3/16
L18702750375B	2 3/4	3 1/8	3/8
L18702875281B	2 7/8	3 1/4	9/32
L18702875375B	2 7/8	3 1/4	3/8
**	3	3 3/8	1/4
L18703000375B	3	3 3/8	3/8
L18703125375B	3 1/8	3 1/2	3/8
L18703250375B	3 1/4	3 5/8	3/8
**	3 3/8	3 3/4	3/16
L18703375375B	3 3/8	3 3/4	3/8
L18703500375B	3 1/2	3 7/8	3/8
L18703625375B	3 5/8	4	3/8
L18703750375B	3 3/4	4 1/8	3/8
L18703875375B	3 7/8	4 1/4	3/8
**	4	4 3/8	3/16
L18704000375B	4	4 3/8	3/8
L18704125375B	4 1/8	4 1/2	3/8
L18704250375B	4 1/4	4 5/8	3/8
L18704375375B	4 3/8	4 3/4	3/8
L18704500375B	4 1/2	4 7/8	3/8
L18704625375B	4 5/8	5	3/8
L18704750375B	4 3/4	5 1/8	3/8
L18705000375B	5	5 3/8	3/8
**	5 1/2	5 7/8	3/8

** Not currently an APG stock item. Call for availability.



Loaded Lip Seals Type "B" (Continued)

Part Number	Inside Diam. (Inches)	Outside Diam. (Inches)	Depth (Inches)
1/4" Cross Section			
L25000250375B	1/4	1/2	3/8
**	1/4	3/4	3/8
**	.353	.853	3/8
L25000437375B	7/16	15/16	3/8
**	.478	.978	3/8
L25000500375B	1/2	1	3/8
**	9/16	1 1/16	3/8
L25000625375B	5/8	1 1/8	3/8
L25000687250B	11/16	1 3/16	3/8
L25000750375B	3/4	1 1/4	3/8
L25000812375B	13/16	1 5/16	3/8
L25000875375B	7/8	1 3/8	3/8
L25001000375B	1	1 1/2	3/8
L25001125375B	1 1/8	1 5/8	3/8
L25001250375B	1 1/4	1 3/4	3/8
**	1 5/16	1 13/16	3/8
L25001375375B	1 3/8	1 7/8	3/8
**	1 15/32	1 31/32	3/8
**	1 1/2	2	1/4
**	1 1/2	2	5/16
L25001500375B	1 1/2	2	3/8
**	1 1/2	2	1/2
L25001625375B	1 5/8	2 1/8	3/8
L25001750375B	1 3/4	2 1/4	3/8
L25001875375B	1 7/8	2 3/8	3/8
**	1 15/16	2 7/16	3/8
L25002000250B	2	2 1/2	1/4
L25002000375B	2	2 1/2	3/8
L25002125250B	2 1/8	2 5/8	1/4
**	2 1/8	2 5/8	3/8
L25002250375B	2 1/4	2 3/4	3/8
L25002375375B	2 3/8	2 7/8	3/8
L25002500250B	2 1/2	3	1/4
L25002500375B	2 1/2	3	3/8
L25002562375B	2 9/16	3 1/16	3/8
L25002625375B	2 5/8	3 1/8	3/8
L25002750375B	2 3/4	3 1/4	3/8
L25002875375B	2 7/8	3 3/8	3/8
L25003000250B	3	3 1/2	1/4
L25003000375B	3	3 1/2	3/8
L25003125375B	3 1/8	3 5/8	3/8
L25003250375B	3 1/4	3 3/4	3/8
L25003375375B	3 3/8	3 7/8	3/8
L25003500375B	3 1/2	4	3/8
L25003625375B	3 5/8	4 1/8	3/8
L25003750375B	3 3/4	4 1/4	3/8
L25003750562B	3 3/4	4 1/4	9/16
L25003875375B	3 7/8	4 3/8	3/8
L25004000375B	4	4 1/2	3/8
**	4	4 1/2	1/2
L25004000562B	4	4 1/2	9/16
**	4 1/16	4 9/16	3/8
L25004125375B	4 1/8	4 5/8	3/8
**	4 1/8	4 5/8	9/16
L25004250375B	4 1/4	4 3/4	3/8
L25004250562B	4 1/4	4 3/4	9/16
L25004375562B	4 3/8	4 7/8	9/16
**	4 7/16	4 15/16	3/8
**	4 1/2	5	1/2
L25004500375B	4 1/2	5	3/8

Part Number	Inside Diam. (Inches)	Outside Diam. (Inches)	Depth (Inches)
1/4" Cross Section (Continued)			
L25004500562B	4 1/2	5	9/16
**	4 5/8	5 1/8	1/4
L25004625562B	4 5/8	5 1/8	9/16
L25004750375B	4 3/4	5 1/4	3/8
L25004750562B	4 3/4	5 1/4	9/16
**	4 7/8	5 3/8	3/8
**	4 7/8	5 3/8	9/16
L25005000375B	5	5 1/2	3/8
**	5	5 1/2	9/16
L25005250375B	5 1/4	5 3/4	3/8
L25005250562B	5 1/4	5 3/4	9/16
**	5 7/16	5 15/16	3/8
L25005500375B	5 1/2	6	3/8
L25005500562B	5 1/2	6	9/16
L25005625562B	5 5/8	6 1/8	9/16
L25005750562B	5 3/4	6 1/4	9/16
L25006000375B	6	6 1/2	3/8
**	6	6 1/2	7/16
L25006000562B	6	6 1/2	9/16
**	6 1/4	6 3/4	9/16
L25006500375B	6 1/2	7	3/8
L25006500562B	6 1/2	7	9/16
L25006750375B	6 3/4	7 1/4	3/8
L25006750562B	6 3/4	7 1/4	9/16
L25007000375B	7	7 1/2	3/8
L25007000562B	7	7 1/2	9/16
L25007250562B	7 1/4	7 3/4	9/16
L25007250625B	7 1/4	7 3/4	5/8
L25007500562B	7 1/2	8	9/16
L25007750562B	7 3/4	8 1/4	9/16
L25008000562B	8	8 1/2	9/16
L25008125562B	8 1/8	8 5/8	9/16
**	8 1/4	8 3/4	3/8
**	8 1/4	8 3/4	7/16
**	8 1/4	8 3/4	9/16
L25008500562B	8 1/2	9	9/16
L25004500562B	9 1/2	10	9/16
**	9 3/4	10 1/4	3/8
**	9 3/4	10 1/4	9/16
**	10	10 1/2	9/16
**	11	11 1/2	9/16
**	11 1/4	11 3/4	9/16
**	12 3/4	13 1/4	9/16
**	19 1/8	19 5/8	9/16
9/32" Cross Section			
**	2 1/4	2 13/16	3/8
**	2 15/16	3 1/2	1/2
**	3 7/16	4	1/2
**	3 15/16	4 1/2	1/2
**	4 7/16	5	1/2
**	4 11/16	5 1/4	5/8
**	4 15/16	5 1/2	11/32
**	4 15/16	5 1/2	1/2
**	5 15/16	6 1/2	1/2
**	6 15/16	7 1/2	1/2
**	8 1/4	8 13/16	5/8
**	8 15/16	9 1/2	1/2

**Not currently an APG stock item. Call for availability.



Loaded Lip Seals Type "B" (Continued)

Part Number	Inside Diam. (Inches)	Outside Diam. (Inches)	Depth (Inches)
5/16" Cross Section			
L31200750500B	3/4	1 3/8	1/2
L31201000500B	1	1 5/8	1/2
L31201125500B	1 1/8	1 3/4	3/8
**	1 1/4	1 7/8	3/8
L31201250500B	1 1/4	1 7/8	1/2
**	1 3/8	2	3/8
L31201375500B	1 3/8	2	1/2
**	1 7/16	2 1/16	1/2
L31201500375B	1 1/2	2 1/8	3/8
**	1 1/2	2 1/8	1/2
L31201625500B	1 5/8	2 1/4	1/2
**	1 11/16	2 5/16	1/2
L31201750375B	1 3/4	2 3/8	3/8
L31201750500B	1 3/4	2 3/8	1/2
L31201875500B	1 7/8	2 1/2	1/2
**	2	2 5/8	3/8
L31202000500B	2	2 5/8	1/2
**	2 1/8	2 3/4	1/2
L31202125625B	2 1/8	2 3/4	5/8
L31202250500B	2 1/4	2 7/8	1/2
L31202375500B	2 3/8	3	1/2
L31202500500B	2 1/2	3 1/8	1/2
L31202625500B	2 5/8	3 1/4	1/2
L31202750500B	2 3/4	3 3/8	1/2
L31202875500B	2 7/8	3 1/2	1/2
L31203000500B	3	3 5/8	1/2
L31203250500B	3 1/4	3 7/8	1/2
L31203375500B	3 3/8	4	1/2
L31203500500B	3 1/2	4 1/8	1/2
L31203625500B	3 5/8	4 1/4	1/2
**	3 3/4	4 3/8	3/8
L31203750500B	3 3/4	4 3/8	1/2
L31203750625B	3 3/4	4 3/8	5/8
L31204000562B	4	4 5/8	9/16
L31204125500B	4 1/8	4 3/4	1/2
**	4 1/8	4 3/4	9/16
L31204250562B	4 1/4	4 7/8	9/16
L31204375562B	4 3/8	5	9/16
L31204500562B	4 1/2	5 1/8	9/16
L31204500625B	4 1/2	5 1/8	5/8
L31204625625B	4 5/8	5 1/4	5/8
L31204750625B	4 3/4	5 3/8	5/8
L31205000625B	5	5 5/8	5/8
**	5 1/8	5 3/4	5/8
L31205250625B	5 1/4	5 7/8	5/8
L31205500625B	5 1/2	6 1/8	5/8
L31205750625B	5 3/4	6 3/8	5/8
L31206000625B	6	6 5/8	5/8
**	6 3/8	7	5/8
**	6 1/2	7 1/8	5/8
**	6 5/8	7 1/4	5/8
**	6 3/4	7 3/8	5/8
**	7	7 5/8	5/8
**	7 1/4	7 7/8	5/8
**	7 7/8	8 1/2	5/8
**	8	8 5/8	5/8
**	9 1/4	9 7/8	5/8
**	9 3/8	10	5/8

Part Number	Inside Diam. (Inches)	Outside Diam. (Inches)	Depth (Inches)
3/8" Cross Section			
L37501250625B	1 1/4	2	5/8
L37501375625B	1 3/8	2 1/8	5/8
L37501500500B	1 1/2	2 1/8	1/2
L37501500625B	1 1/2	2 1/4	5/8
L37501625625B	1 5/8	2 3/8	5/8
L37501750500B	1 3/4	2 1/2	1/2
L37501750625B	1 3/4	2 1/2	5/8
L37502000500B	2	2 5/8	1/2
L37502000625B	2	2 3/4	5/8
L37502250625B	2 1/4	3	5/8
L37502375625B	2 3/8	3 1/8	5/8
L37502500500B	2 1/2	3 1/4	1/2
L37502500625B	2 1/2	3 1/4	5/8
L37502625625B	2 5/8	3 3/8	5/8
L37502750625B	2 3/4	3 1/2	5/8
L37502875625B	2 7/8	3 5/8	5/8
**	3	3 3/4	1/2
L37503000625B	3	3 3/4	5/8
**	3 1/8	3 7/8	5/8
**	3 1/4	4	1/2
L37503250625B	3 1/4	4	5/8
L37503375625B	3 3/8	4 1/8	5/8
L37503500625B	3 1/2	4 1/4	5/8
L37503625625B	3 5/8	4 3/8	5/8
L37503750625B	3 3/4	4 1/2	5/8
L37503875625B	3 7/8	4 5/8	5/8
**	4	4 3/4	1/2
L37504000625B	4	4 3/4	5/8
**	4 1/8	4 7/8	5/8
L37504250625B	4 1/4	5	5/8
L37504375625B	4 3/8	5 1/8	5/8
L37504500625B	4 1/2	5 1/4	5/8
L37504625625B	4 5/8	5 3/8	5/8
L37504750625B	4 3/4	5 1/2	5/8
**	4 7/8	5 5/8	5/8
**	5	5 3/4	1/2
L37505000625B	5	5 3/4	5/8
**	5 1/8	5 7/8	5/8
L37505250625B	5 1/4	6	5/8
L37505375625B	5 3/8	6 1/8	5/8
L37505500625B	5 1/2	6 1/4	5/8
**	5 5/8	6 3/8	5/8
L37505750625B	5 3/4	6 1/2	5/8
**	5 7/8	6 5/8	5/8
**	6	6 3/4	1/2
L37506000625B	6	6 3/4	5/8
L37506250625B	6 1/4	7	5/8
**	6 1/2	7 1/4	1/2
L37506500625B	6 1/2	7 1/4	5/8
**	6 3/4	7 1/2	1/2
L37506750625B	6 3/4	7 1/2	5/8
**	6 7/8	7 5/8	5/8
**	7	7 3/4	1/2
L37507000625B	7	7 3/4	5/8
L37507250625B	7 1/4	8	5/8
**	7 3/8	8 1/8	1/2
L37507500625B	7 1/2	8 1/4	5/8
**	7 3/4	8 1/2	1/2
L37507750625B	7 3/4	8 1/2	5/8
**	8	8 3/4	1/2

** Not currently an APG stock item. Call for availability.



Loaded Lip Seals Type "B" (Continued)

Part Number	Inside Diam. (Inches)	Outside Diam. (Inches)	Depth (Inches)
3/8" Cross Section (Continued)			
**	8	8 3/4	5/8
L37508250625B	8 1/4	9	5/8
**	8 1/2	9 1/4	5/8
**	8 3/4	9 1/2	1/2
**	8 3/4	9 1/2	3/4
**	8 7/8	9 5/8	5/8
**	9	9 3/4	5/8
L37509250625B	9 1/4	10	5/8
**	9 1/2	10 1/4	5/8
**	10	10 3/4	5/8
**	10 1/4	11	1/2
**	10 1/4	11	3/4
**	10 1/2	11 1/4	5/8
**	10 3/4	11 1/2	5/8
**	11 1/2	12 1/4	5/8
**	11 3/4	12 1/2	5/8
**	11 3/4	12 1/2	3/4
**	12	12 3/4	5/8
**	12 1/4	13	5/8
**	12 3/4	13 1/2	5/8
**	13	13 3/4	5/8
7/16" Cross Section			
**	1 1/8	2	1/2
**	2 1/4	3 1/8	5/8
**	2 1/2	3 3/4	5/8
**	3 1/8	4	11/16
**	3 7/8	4 3/4	3/4
**	4	4 7/8	5/8
**	4 1/2	5 3/8	3/4
**	4 3/4	5 5/8	3/4
**	4 7/8	5 3/4	9/16
**	5	5 7/8	3/4
**	19 3/8	20 1/4	1/2
1/2" Cross Section			
**	1 1/8	2 1/8	3/4
**	1 1/2	2 1/2	3/4
L50001750750B	1 3/4	2 3/4	3/4
L50002000750B	2	3	3/4
**	2 1/2	3 1/2	3/4
L50003000750B	3	4	3/4
L50003250750B	3 1/4	4 1/4	3/4
L50003500750B	3 1/2	4 1/2	3/4
L50003750750B	3 3/4	4 3/4	.690
**	3 7/8	4 7/8	3/4
L50004000750B	4	5	3/4
L50004250750B	4 1/4	5 1/4	3/4
**	4 3/8	5 3/8	5/8
**	4 3/8	5 3/8	3/4
L50004500750B	4 1/2	5 1/2	3/4
L50004750750B	4 3/4	5 3/4	3/4
L50005000750B	5	6	3/4
**	5 1/4	6 1/4	1/2
L50005250750B	5 1/4	6 1/4	3/4
L50005500750B	5 1/2	6 1/2	3/4
L50005750750B	5 3/4	6 3/4	3/4
L50006000750B	6	7	3/4
L50006250750B	6 1/4	7 1/4	3/4
L50006500750B	6 1/2	7 1/2	3/4
**	6 3/4	7 3/4	3/4

Part Number	Inside Diam. (Inches)	Outside Diam. (Inches)	Depth (Inches)
1/2" Cross Section (Continued)			
L50007000750B	7	8	3/4
**	7 1/4	8 1/4	3/4
**	7 3/4	8 3/4	3/4
L50008000750B	8	9	3/4
L50008500750B	8 1/2	9 1/2	3/4
L50008750750B	8 3/4	9 3/4	3/4
L50009000750B	9	10	3/4
**	9 1/4	10 1/4	3/4
**	9 1/2	10 1/2	3/4
**	10	11	3/4
**	10 1/4	11 1/4	3/4
**	10 1/2	11 1/2	3/4
**	11	12	3/4
**	11 3/8	12 3/8	3/4
**	11 1/2	12 1/2	3/4
**	12	13	3/4
**	12 1/8	13 1/8	3/4
**	12 1/4	13 1/4	3/4
**	12 1/2	13 1/2	3/4
**	13	14	3/4
**	14	15	3/4
**	15	16	3/4
**	15 1/2	16 1/2	3/4
**	16 1/2	17 1/2	3/4
**	16 3/4	17 3/4	3/4
**	17	18	3/4
**	17 1/2	18 1/2	3/4
**	18	19	3/4
**	19 5/8	20 5/8	3/4
**	20	21	3/4
**	24	25	3/4
**	24 7/8	25 7/8	3/4
**	26 1/8	27 1/8	3/4
**	29	30	3/4
**	38	39	3/4
**	38 3/4	39 3/4	3/4
**	42	43	3/4
**	43 1/2	44 1/2	3/4
**	44 1/8	45 1/8	3/4
**	47 1/2	48 1/2	3/4
9/16" Cross Section			
**	2 3/8	3 1/2	7/8
**	12 9/16	13 11/16	7/8
5/8" Cross Section			
**	2 3/4	4	1
**	2 7/8	4 1/8	1
**	3 1/4	4 1/2	1
**	3 3/4	5	1
**	4 1/4	5 1/2	1
**	5	6 1/4	1
**	5 1/2	6 3/4	1
**	5 3/4	7	1
**	6	7 1/4	1
**	6 3/4	8	1
**	7	8 1/4	1
**	7 1/4	8 1/2	1
**	7 1/2	8 3/4	1
**	7 3/4	9	1
**	8 1/4	9 1/2	1

**Not currently an APG stock item. Call for availability.



Loaded Lip Seals Type "B" (Continued)

Part Number	Inside Diam. (Inches)	Outside Diam. (Inches)	Depth (Inches)
5/8" Cross Section (Continued)			
**	8 1/2	9 3/4	1
**	9	10 1/4	1
**	9 3/4	11	1
**	10 1/2	11 3/4	3/4
**	11 1/4	12 1/2	1
**	11 1/2	12 3/4	1
**	12	13 1/4	1
**	12 1/4	13 1/2	1
**	13 1/2	14 3/4	3/4
**	15 1/2	16 3/4	1
**	16 1/2	17 3/4	1
**	17 3/4	19	1
**	18 3/4	20	1
**	19 3/4	21	1
**	30	31 1/4	1
3/4" Cross Section			
**	8	9 1/2	1 1/4
**	8 1/2	10	1 1/8
**	9 3/4	11 1/4	1 1/4
**	10	11 1/2	1 1/4
**	10 1/2	12	1
**	11 1/2	13	1 1/4
**	12	13 1/2	1 1/4
**	12 1/2	14	1 1/4
**	13	14 1/2	1
**	14	15 1/2	1 1/4
**	15 5/8	17 1/8	1 1/4
**	17 5/8	19 1/8	1 1/4
**	19	20 1/2	1 1/4
**	20	21 1/2	1
**	20	21 1/2	1 1/4
**	20 1/2	22	1
**	23 1/2	25	1 1/4
**	31	32 1/2	1
**	31 1/2	33	1 1/4
1" Cross Section			
**	12	14	1 1/2
**	15	17	1 1/2
**	16	18	1 1/4
**	21 1/4	23 1/4	1 1/2
**	24	26	1 1/2
**	26	28	1 1/2
**	30	32	1 1/2
**	30 3/4	32 3/4	1 1/2
**	33 3/8	35 3/8	1 1/2
**	34	36	1 1/2
**	38	40	1 1/2
**	39	41	1 1/2

Remember:
Same or next day shipment on stock items.

**Not currently an APG stock item. Call for availability.



Loaded Lip Seals - Deep Style

Part Number	Inside Diam. (Inches)	Outside Diam. (Inches)	Depth (Inches)
1/8" Cross Section			
L12500250250	1/4	1/2	1/4
L12500312250	5/16	9/16	1/4
**	7/16	11/16	1/4
**	1/2	3/4	1/4
**	9/16	13/16	1/4
**	5/8	7/8	3/16
L12500625250	5/8	7/8	1/4
**	11/16	15/16	1/4
L12500750250	3/4	1	1/4
**	7/8	1 1/8	3/16
L12500875250	7/8	1 1/8	1/4
L12501000250	1	1 1/4	1/4
L12501125250	1 1/8	1 3/8	1/4
**	1 3/16	1 7/16	3/16
L12501250250	1 1/4	1 1/2	1/4
L12501375250	1 3/8	1 5/8	1/4
**	1 7/16	1 11/16	1/4
L12501500250	1 1/2	1 3/4	1/4
L12501625250	1 5/8	1 7/8	1/4
L12501750250	1 3/4	2	1/4
L12502000250	2	2 1/4	1/4
**	2 3/8	2 5/8	1/4
L12502500250	2 1/2	2 3/4	1/4
L12503000250	3	3 1/4	1/4
L12503500250	3 1/2	3 3/4	1/4
3/16" Cross Section			
**	1/4	5/8	5/16
**	3/8	3/4	5/16
**	5/8	1	5/16
**	3/4	1 1/8	1/4
L18700750312	3/4	1 1/8	5/16
**	13/16	1 3/16	5/16
**	7/8	1 1/4	5/16
L18700875375	7/8	1 1/4	3/8
**	1	1 3/8	1/4
L18701000312	1	1 3/8	5/16
**	1 1/16	1 7/16	5/16
L18701125312	1 1/8	1 1/2	5/16
L18701250312	1 1/4	1 5/8	5/16
L18701375312	1 3/8	1 3/4	5/16
**	1 7/16	1 13/16	5/16
**	1 1/2	1 7/8	9/32
L18701500375	1 1/2	1 7/8	3/8
**	1 9/16	1 15/16	1/4
L18701625250	1 5/8	2	1/4
L18701625312	1 5/8	2	5/16
L18701625375	1 5/8	2	3/8
L18701687375	1 11/16	2 1/16	3/8
L18701750250	1 3/4	2 1/8	1/4
**	1 3/4	2 1/8	5/16
L18701750375	1 3/4	2 1/8	3/8
L18701875375	1 7/8	2 1/4	3/8
**	1 15/16	2 5/16	3/8
L18702000375	2	2 3/8	3/8
L18702125375	2 1/8	2 1/2	3/8
**	2 3/16	2 9/16	3/8
L18702250375	2 1/4	2 5/8	3/8

Part Number	Inside Diam. (Inches)	Outside Diam. (Inches)	Depth (Inches)
3/16" Cross Section (Continued)			
L18702375375	2 3/8	2 3/4	3/8
L18702500375	2 1/2	2 7/8	3/8
**	2 5/8	3	3/8
L18702750375	2 3/4	3 1/8	3/8
L18703000375	3	3 3/8	3/8
L18703125375	3 1/8	3 1/2	3/8
**	3 3/8	3 3/4	3/8
L18703500375	3 1/2	3 7/8	3/8
**	3 5/8	4	3/8
L18703875375	3 7/8	4 1/4	3/8
L18704125375	4	4 3/8	3/8
**	4 1/8	4 1/2	3/8
**	4 3/8	4 3/4	3/8
**	4 1/2	4 7/8	3/8
**	4 5/8	5	3/8
**	5	5 3/8	3/8
**	6	6 3/8	3/8
**	7 1/2	7 7/8	1/4
1/4" Cross Section			
L25000375375	3/8	7/8	3/8
L25000437375	7/16	15/16	3/8
L25000500375	1/2	1	3/8
L25000625375	5/8	1 1/8	3/8
L25000750375	3/4	1 1/4	3/8
**	7/8	1 3/8	3/8
L25001000375	1	1 1/2	3/8
L25001125375	1 1/8	1 5/8	3/8
L25001250375	1 1/4	1 3/4	3/8
L25001375375	1 3/8	1 7/8	3/8
L25001500375	1 1/2	2	3/8
L25001750375	1 3/4	2 1/4	3/8
L25002000375	2	2 1/2	3/8
**	2 1/8	2 5/8	3/8
L25002250375	2 1/4	2 3/4	3/8
L25002500375	2 1/2	3	3/8
L25002625375	2 5/8	3 1/8	3/8
L25002750375	2 3/4	3 1/4	3/8
L25003000375	3	3 1/2	3/8
**	3 1/8	3 5/8	3/8
**	3 1/4	3 3/4	3/8
**	3 3/8	3 7/8	3/8
L25003500375	3 1/2	4	3/8
**	3 5/8	4 1/8	3/8
L25003750375	3 3/4	4 1/4	3/8
**	3 7/8	4 3/8	3/8
**	4	4 1/2	3/8
L25004000500	4	4 1/2	1/2
L25004000562	4	4 1/2	9/16
**	4 1/4	4 3/4	9/16
**	4 3/8	4 7/8	3/8
L25004375562	4 3/8	4 7/8	9/16
L25004500375	4 1/2	5	3/8
L25004500562	4 1/2	5	9/16
L25004750562	4 3/4	5 1/4	9/16
L25004875562	4 7/8	5 3/8	9/16
L25005000375	5	5 1/2	3/8
**	5	5 1/2	1/2
L25005000562	5	5 1/2	9/16
**	5 1/4	5 3/4	3/8

** Not currently an APG stock item. Call for availability.



Loaded Lip Seals - Deep Style (Continued)

Part Number	Inside Diam. (Inches)	Outside Diam. (Inches)	Depth (Inches)
1/4" Cross Section (Continued)			
L25005250562	5 1/4	5 3/4	9/16
**	5 3/8	5 7/8	3/8
**	5 1/2	6	3/8
L25005500562	5 1/2	6	9/16
**	5 3/4	6 1/4	9/16
**	6	6 1/2	9/16
L25006250562	6 1/4	6 3/4	9/16
**	6 1/2	7	3/8
**	6 1/2	7	9/16
**	6 5/8	7 1/8	3/8
**	6 3/4	7 1/4	9/16
**	7	7 1/2	3/8
**	7	7 1/2	9/16
**	7 1/2	8	9/16
**	7 3/4	8 1/4	3/8
**	8 1/2	9	9/16
**	9	9 1/2	3/8
**	9 1/2	10	9/16
**	10 1/2	11	1/2
**	13	13 1/2	9/16
**	14	14 1/2	3/8
**	14 1/2	15	3/8
**	16	16 1/2	3/8
**	16	16 1/2	9/16
**	16 1/2	17	1/4
**	19 1/2	20	5/16
**	21	21 1/2	5/16
**	22 1/2	23	5/16
**	29 3/16	29 11/16	3/8
**	30 5/8	31 1/8	3/8
9/32" Cross Section			
**	3 11/16	4 1/4	3/8
**	3 7/8	4 7/16	1/2
5/16" Cross Section			
**	3/4	1 3/8	1/2
**	1	1 5/8	1/2
**	1 1/8	1 3/4	1/2
**	1 3/16	1 13/16	1/2
**	1 1/4	1 7/8	1/2
L31201375500	1 3/8	2	1/2
L31201500500	1 1/2	2 1/8	1/2
**	1 3/4	2 3/8	1/2
**	1 7/8	2 1/2	1/2
L31202000500	2	2 5/8	1/2
**	2 1/8	2 3/4	1/2
L31202250500	2 1/4	2 7/8	1/2
**	2 3/8	3	1/2
**	2 1/2	3 1/8	1/2
**	2 5/8	3 1/4	1/2
L31203000500	3	3 5/8	1/2
**	3	3 5/8	9/16
**	3 1/4	3 7/8	1/2
L31203375500	3 3/8	4	1/2
L31203500500	3 1/2	4 1/8	1/2
**	3 7/8	4 1/2	1/2
**	4	4 5/8	1/2
**	4	4 5/8	9/16
**	4 1/8	4 3/4	9/16
**	4 1/4	4 7/8	9/16

Part Number	Inside Diam. (Inches)	Outside Diam. (Inches)	Depth (Inches)
5/16" Cross Section (Continued)			
**	4 3/8	5	1/2
**	4 3/8	5	9/16
L31204625625	4 5/8	5 1/4	5/8
**	5 1/8	5 3/4	5/8
L31205375625	5 3/8	6	5/8
**	6 3/8	7	5/8
**	6 1/2	7 1/8	5/8
**	7 1/2	8 1/8	5/8
**	7 5/8	8 1/4	1/2
**	9	9 5/8	1/2
3/8" Cross Section			
**	3/4	1 1/2	5/8
L37501000625	1	1 3/4	5/8
L37501250625	1 1/4	2	5/8
**	1 5/16	2 1/16	7/16
L37501875625	1 7/8	2 5/8	5/8
**	2	2 3/4	1/2
L37502000625	2	2 3/4	5/8
**	2 1/8	2 7/8	5/8
L37502250625	2 1/4	3	5/8
L37502500625	2 1/2	3 1/4	5/8
**	2 3/4	3 1/2	1/2
**	2 3/4	3 1/2	5/8
L37503000625	3	3 3/4	5/8
L37503250625	3 1/4	4	5/8
L37503500625	3 1/2	4 1/4	5/8
L37503750625	3 3/4	4 1/2	5/8
L37504000625	4	4 3/4	5/8
**	4 1/4	5	1/2
L37504250625	4 1/4	5	5/8
**	4 3/8	5 1/8	5/8
L37504500625	4 1/2	5 1/4	5/8
L37504625625	4 5/8	5 3/8	5/8
**	4 3/4	5 1/2	1/2
**	4 3/4	5 1/2	5/8
L37505000625	5	5 3/4	5/8
**	5 1/4	6	1/2
L37505250625	5 1/4	6	5/8
**	5 1/2	6 1/4	5/8
L37505625625	5 5/8	6 3/8	5/8
**	5 3/4	6 1/2	1/2
**	5 3/4	6 1/2	5/8
L37506000625	6	6 5/8	5/8
**	6 1/4	7	1/2
L37506250625	6 1/4	7	5/8
**	6 1/2	7 1/4	1/2
**	6 1/2	7 1/4	5/8
**	6 3/4	7 1/2	9/16
**	6 3/4	7 1/2	5/8
**	7	7 3/4	5/8
L37507250625	7 1/4	8	5/8
**	7 1/2	8 1/4	1/2
**	7 1/2	8 1/4	5/8
**	7 3/4	8 1/2	1/2
**	7 3/4	8 1/2	5/8
**	8	8 3/4	1/2
**	8 1/4	9	5/8
**	8 3/4	9 1/2	5/8

** Not currently an APG stock item. Call for availability.



Loaded Lip Seals - Deep Style (Continued)

Part Number	Inside Diam. (Inches)	Outside Diam. (Inches)	Depth (Inches)
3/8" Cross Section (Continued)			
**	9	9 3/4	5/8
**	9 1/4	10	5/8
**	9 5/8	10 3/8	5/8
**	9 3/4	10 1/2	1/2
**	9 3/4	10 1/2	5/8
**	10 1/4	11	5/8
**	10 3/4	11 1/2	5/8
**	11 1/4	12	5/8
**	11 1/2	12 1/4	5/8
**	12 1/4	13	5/8
**	12 1/2	13 1/4	5/8
**	14 3/4	15 1/2	5/8
**	14 7/8	15 5/8	5/8
**	15 1/4	16	5/8
**	24	24 3/4	5/8
**	26 3/4	27 1/2	5/8
**	29	29 3/4	5/8
**	35	35 3/4	5/8
**	37	37 3/4	5/8
**	40	40 3/4	5/8
13/32" Cross Section			
**	10 3/16	11	1/2
7/16" Cross Section			
**	1	1 7/8	9/16
**	2 1/4	3 1/8	3/8
**	3	3 7/8	11/16
**	4	4 7/8	5/8
**	4 3/4	5 5/8	5/8
**	5 1/8	6	1/2
**	6 3/4	7 5/8	3/4
1/2" Cross Section			
**	1	2	3/4
**	1 3/4	2 3/4	3/4
**	2 1/2	3 1/2	3/4
**	3	4	3/4
**	3 3/8	4 3/8	5/8
L50003500750	3 1/2	4 1/2	3/4
**	3 3/4	4 3/4	11/16
L50004000750	4	5	3/4
**	4 3/8	5 3/8	3/4
**	4 1/2	5 1/2	3/4
**	4 3/4	5 3/4	3/4
L50005000750	5	6	3/4
**	5 1/8	6 1/8	3/4
L50005500750	5 1/2	6 1/2	3/4
**	6	7	3/4
L50006500750	6 1/2	7 1/2	3/4
L50007000750	7	8	3/4
**	7 1/2	8 1/2	3/4
**	8	9	3/4
**	8 1/4	9 1/4	3/4
**	8 1/2	9 1/2	3/4
**	8 7/8	9 7/8	3/4
**	9	10	3/4
**	9 1/2	10 1/2	3/4

Part Number	Inside Diam. (Inches)	Outside Diam. (Inches)	Depth (Inches)
1/2" Cross Section (Continued)			
**	10	11	3/4
**	10 1/2	11 1/2	3/4
**	10 5/8	11 5/8	3/4
**	10 3/4	11 3/4	3/4
**	11	12	3/4
**	11 1/2	12 1/2	3/4
**	12 1/2	13 1/2	3/4
**	13 1/4	14 1/4	3/4
**	13 1/2	14 1/2	3/4
**	14	15	3/4
**	15	16	3/4
**	15 1/2	16 1/2	3/4
**	16	17	3/4
**	17	18	3/4
**	17 1/2	18 1/2	1
**	18	19	3/4
**	18 1/2	19 1/2	3/4
**	19	20	3/4
**	20	21	3/4
**	20 1/2	21 1/2	3/4
**	21	22	3/4
**	21 1/2	22 1/2	3/4
**	22 3/4	23 3/4	5/8
**	25 1/4	26 1/4	3/4
**	27	28	3/4
**	27 1/2	28 1/2	3/4
**	28 1/2	29 1/2	3/4
**	29	30	3/4
**	30	31	5/8
**	30 1/4	31 1/4	3/4
**	33	34	3/4
**	37	38	3/4
9/16" Cross Section			
**	1 7/8	3	7/8
**	2 7/8	4	7/8
**	9 1/2	10 5/8	1 1/4
5/8" Cross Section			
**	1 7/8	3 1/8	1
**	2 3/4	4	1
**	2 7/8	4 1/8	1
**	4 3/4	6	3/4
**	4 3/4	6	1
**	5 1/2	6 3/4	1
**	6 1/2	7 3/4	1
**	6 3/4	8	1
**	8 3/4	10	1
**	10	11 1/4	1
**	11	12 1/4	1
**	12	13 1/4	1
**	12 1/2	13 3/4	1
**	12 3/4	14	1
**	17 1/2	18 3/4	1
**	18	19 1/4	1 1/4
**	22 1/2	23 3/4	1

** Not currently an APG stock item. Call for availability.



Loaded Lip Seals - Deep Style (Continued)

Part Number	Inside Diam. (Inches)	Outside Diam. (Inches)	Depth (Inches)
11/16" Cross Section			
**	9 3/8	10 3/4	1
3/4" Cross Section			
**	2	3 1/2	1 1/8
**	2 3/4	4 1/4	1 1/8
**	5 1/2	7	1 1/4
**	6 1/4	7 3/4	1 1/4
**	6 1/2	8	1 1/4
**	7	8 1/2	1 1/4
**	7 1/2	9	1 1/4
**	8 1/2	10	1 1/4
**	9	10 1/2	1 1/4
**	9 13/16	11 5/16	1 1/4
**	11	12 1/2	1 1/4
**	15	16 1/2	1 1/4
**	16 1/2	18	1 1/4
**	18	19 1/2	1 1/4
**	20	21 1/2	1 1/4
**	21	22 1/2	1 1/4
**	21 1/2	23	1 1/4
**	22	23 1/2	1 1/4
**	22 1/2	24	1 1/4
**	23	24 1/2	1 1/4
**	24	25 1/2	1 1/4
**	25 1/2	27	7/8
**	29 1/2	31	1 1/2
**	32	33 1/2	7/8
**	36	37 1/2	1 1/4
**	49	50 1/2	1 1/4
13/16" Cross Section			
**	12 1/4	13 7/8	1 1/8
**	17 3/8	19	1 1/8
7/8" Cross Section			
**	5	6 3/4	1
**	13	14 3/4	1 3/8
**	14	15 3/4	1 1/2
**	16	17 3/4	1 1/4
**	16	17 3/4	1 3/8
**	18	19 3/4	1 1/4
**	24	25 3/4	1 1/4
**	41	42 3/4	1 1/2
15/16" Cross Section			
**	9 5/8	11 1/2	1 1/2
**	28	29 7/8	1 1/2
1" Cross Section			
**	8	10	1 1/2
**	16	18	1 1/4
**	19	21	1 1/16
**	20	22	1 1/2
**	26	28	1 1/2
**	32 1/2	34 1/2	1 1/2

Part Number	Inside Diam. (Inches)	Outside Diam. (Inches)	Depth (Inches)
1 1/8" Cross Section			
**	38	40 1/4	1 1/2

**Not currently an APG stock item. Call for availability.

www.callapg.com

713-675-5271
1-800-888-5223

FAX 713-675-2730
FAX 1-800-444-3252



Loaded Lip Seals – L9011 (Metric)

Part Number	Inside Diam. (mm)	Outside Diam. (mm)	Cross Section (mm)	Height (mm)
L9011 - 008 - 016 - 06.3	8	16	4	5.7
L9011 - 010 - 018 - 05.7	10	18	4	5.7
L9011 - 020 - 026 - 07	20	26	3	5.0
L9011 - 025 - 033 - 05.7	25	33	4	5.7
L9011 - 025 - 038 - 08	25	38	6.5	8.0
L9011 - 025 - 040 - 11	25	40	7.5	10.0
L9011 - 028 - 036 - 08	28	36	4	8.0
L9011 - 030 - 038 - 09	30	38	4	8.0
L9011 - 032 - 040 - 09	32	40	4	8.0
L9011 - 032 - 042 - 7.3	32	42	5	7.3
L9011 - 035 - 043 - 09	35	43	4	8.0
L9011 - 035 - 050 - 11	35	50	7.5	10.0
L9011 - 036 - 044 - 08	36	44	4	8.0
L9011 - 037 - 051 - 09.5	37	51	7	9.5
L9011 - 040 - 050 - 11	40	50	5	10.0
L9011 - 040 - 052 - 09	40	52	6	8.0
L9011 - 040 - 060 - 13	40	60	10	12.0
L9011 - 045 - 053 - 09	45	53	4	8.0
L9011 - 045 - 055 - 08	45	55	5	8.0
L9011 - 045 - 060 - 11	45	60	7.5	10.0
L9011 - 048 - 063 - 11	48	63	7.5	10.0
L9011 - 050 - 058 - 08	50	58	4	8.0
L9011 - 050 - 060 - 08	50	60	5	8.0
L9011 - 050 - 060 - 11	50	60	5	10.0
L9011 - 050 - 063 - 11	50	63	6.5	10.0
L9011 - 050 - 065 - 12.5	50	65	7.5	11.4
L9011 - 055 - 065 - 11	55	65	5	10.0
L9011 - 055 - 070 - 11	55	70	7.5	10.0
L9011 - 060 - 070 - 11	60	70	5	10.0
L9011 - 060 - 070 - 13	60	70	5	12.0
L9011 - 063 - 078 - 11.4	63	78	7.5	11.4
L9011 - 065 - 080 - 13	65	80	7.5	12.0
L9011 - 070 - 080 - 13	70	80	5	12.0
L9011 - 070 - 085 - 12.5	70	85	7.5	11.4
L9011 - 075 - 085 - 13	75	85	5	12.0
L9011 - 080 - 095 - 12.5	80	95	7.5	12.0
L9011 - 090 - 105 - 13	90	105	7.5	12.0
L9011 - 090 - 110 - 16	90	110	10	14.5
L9011 - 100 - 115 - 13	100	115	7.5	12.0
L9011 - 100 - 120 - 16	100	120	10	14.5
L9011 - 110 - 130 - 14.5	110	130	10	14.5
L9011 - 125 - 145 - 14.5	125	145	10	14.5
L9011 - 130 - 150 - 16.5	130	150	10	16.5

For availability of sizes not listed, please inquire.



U-Cups

U-Cups derive their name from their shape and are self-sealing on both the inside diameter and outside diameter. They are most often used for sealing rams or rods and are very popular due to the small gland space required. They are especially adapted to low speed, low pressure environments for both pneumatic and hydraulic cylinders. They provide an extremely smooth, steady movement because of their inherent low friction.

The seal is obtained by means of the flared, flexible lips coming in contact with the rod or cylinder wall. Clearance is provided at the heel for minimum friction. Through this design, the packing is *preloaded* when installed. Sealing effectiveness is increased by internal pressure of the air or fluid against the inner surface of the lips. For continued sealing effectiveness and long seal life, the surface finish of the working surface of either rods or bores should be a maximum of 16 micro-inches. It is not recommended that U-cups or any other single lip seal be used in any application where there is excessive side loading.

8400 Series

The 8400 Series U-Cup has a chamfered lip and is available at APG in 80 Durometer Nitrile.



6226 Series

The 6226 Series U-Cup has a flat sealing lip and is available at APG in 70 Durometer Nitrile.



L9000 Series (Metric)

The Metric L9000 Series U-Cup has a chamfered lip and is available at APG in 94 Durometer Urethane. The symmetrical section allows the L9000 U-Cup to be employed as a rod or piston seal.



In addition to the products in this catalog, APG supplies o-rings, industrial hose couplings, industrial glass, and much, much more! See pages 88 and 89.



U-Cup Installation Data

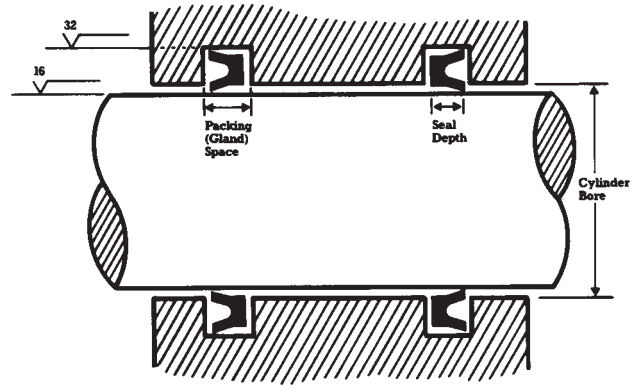
The lips of the U-Cup should always be toward the pressure force.

The U-Cup is a floating seal which means the height of the U-Cup should be between .015" to .090" shorter than the depth of the gland. (See the Packing Space Chart below). The added gland space allows the pressure to equalize on both lips, thus keeping the U-Cup from rolling.

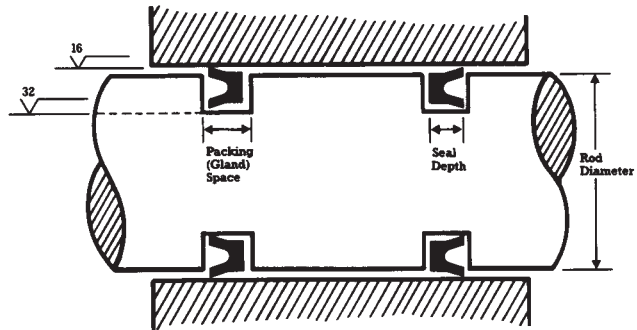
The surface finish for a static seal surface should be 32 RMS maximum. The dynamic surface should be in the range of 8 to 16 RMS. Finishes rougher than 16 RMS could cause premature lip wear and finishes finer than 8 RMS can result in failure of the seal due to loss of lubrication.

Packing Space Chart								
Seal Depth	1/8	3/16	1/4	5/16	3/8	1/2	5/8	3/4
Packing	.137	.206	.274	.342	.411	.548	.685	.822
Space	.142	.212	.281	.351	.421	.560	.700	.839

Rod Seal



Piston Seal



**Need assistance?
Ask our experienced sales staff.**

We are here to help!



U-Cup Dimensional Data

8400 Series 80 Durometer Nitrile

Part Number	CR Block V Number Cross Reference	Inside Diameter (inches)	Outside Diameter (inches)	Width (inches)
NU8402-0031	711800	5/16	7/16	1/16
NU8403-0012	711800	1/8	5/16	3/32
NU8403-0018	711802	3/16	3/8	3/32
NU8403-0031	700054	5/16	1/2	3/32
NU8404-0025	711803	1/4	1/2	1/8
NU8404-0037	711805	3/8	5/8	1/8
NU8404-0050	711806	1/2	3/4	1/8
NU8404-0056	710696	9/16	13/16	1/8
NU8404-0062	710212	5/8	7/8	1/8
NU8404-0075	711825	3/4	1	1/8
NU8404-0087	711810	7/8	1 1/8	1/8
NU8404-0093	711811	15/16	1 3/16	1/8
NU8404-0100	711080	1	1 1/4	1/8
NU8405-0100	701084	1	1 5/16	5/32
NU8405-0106	711814	1 1/16	1 3/8	5/32
NU8405-0118	711817	1 3/16	1 1/2	5/32
NU8405-0125	710989	1 1/4	1 9/16	5/32
NU8405-0131	711818	1 5/16	1 5/8	5/32
NU8405-0137	711826	1 3/8	1 11/16	5/32
NU8405-0143	711820	1 7/16	1 3/4	5/32
NU8406-0150	711822	1 1/2	1 7/8	3/16
NU8406-0162	711823	1 5/8	2	3/16
NU8406-0175	702011	1 3/4	2 1/8	3/16
NU8406-0187	711824	1 7/8	2 1/4	3/16
NU8406-0212	710087	2 1/8	2 1/2	3/16
NU8406-0237	711828	2 3/8	2 3/4	3/16
NU8407-0256	711831	2 9/16	3	7/32
NU8407-0275	711832	2 3/4	3 3/16	7/32
NU8407-0281	711834	2 13/16	3 1/4	7/32
NU8407-0306	711836	3 1/16	3 1/2	7/32
NU8408-0350	711841	3 1/2	4	1/4
NU8408-0450	711857	4 1/2	5	1/4
NU8410-0537	711850	5 3/8	6	5/16
NU8410-0637	711852	6 3/8	7	5/16
NU8410-0737	711853	7 3/8	8	5/16

For availability of sizes not listed, please inquire.

6226 Series 70 Durometer Nitrile

Part Number	Inside Diameter (inches)	Outside Diameter (inches)	Width (inches)
NU6226-1	1/8	1/2	3/16
NU6226-2	3/16	9/16	3/16
NU6226-3	1/4	5/8	3/16
NU6226-4	5/16	11/16	3/16
NU6226-5	3/8	3/4	3/16
NU6226-6	7/16	13/16	3/16
NU6226-7	1/2	7/8	3/16
NU6226-8	1/4	3/4	1/4
NU6226-9	5/16	13/16	1/4
NU6226-10	3/8	7/8	1/4
NU6226-11	7/16	15/16	1/4
NU6226-12	1/2	1	1/4
NU6226-13	9/16	1 1/16	1/4
NU6226-14	5/8	1 1/8	1/4
NU6226-16	3/4	1 1/4	1/4
NU6226-18	7/8	1 3/8	1/4
NU6226-19	15/16	1 7/16	1/4
NU6226-20	1	1 1/2	1/4
NU6226-22	1 1/8	1 5/8	1/4
NU6226-23	1 3/16	1 11/16	1/4
NU6226-24	1 1/4	1 3/4	1/4
NU6226-25	1 1/4	1 7/8	5/16
NU6226-26	1 3/8	2	5/16
NU6226-27	1 1/2	2 1/8	5/16
NU6226-28	1 5/8	2 1/4	5/16
NU6226-29	1 3/4	2 3/8	5/16
NU6226-30	1 7/8	2 1/2	5/16
NU6226-31	2	2 5/8	5/16
NU6226-32	2 1/8	2 3/4	5/16
NU6226-34	2 3/8	3	5/16
NU6226-35	2 1/2	3 1/8	5/16
NU6226-37	2 5/8	3 3/8	3/8
NU6226-38	2 3/4	3 1/2	3/8
NU6226-39	2 7/8	3 5/8	3/8
NU6226-41	1/8	3/8	1/8
NU6226-42	3/16	7/16	1/8
NU6226-43	1/4	1/2	1/8
NU6226-44	5/16	9/16	1/8
NU6226-45	3/8	5/8	1/8
NU6226-47	1/2	3/4	1/8
NU6226-48	5/8	1	3/16
NU6226-49	3/4	1 1/8	3/16
NU6226-50	7/8	1 1/4	3/16
NU6226-51	1	1 3/8	3/16
NU6226-52	1 1/8	1 1/2	3/16
NU6226-53	1 1/4	1 5/8	3/16

For availability of sizes not listed, please inquire.



U-Cup Dimensional Data (Continued)

L9000 Series (Metric) 94 Durometer Urethane

Part Number	Inside Diameter (mm)	Outside Diameter (mm)	Depth (mm)
L9000 - 004 - 010 - 05	4	10	5
L9000 - 004 - 011 - 05.5	4	11	5.5
L9000 - 005 - 012 - 05	5	12	5
L9000 - 005 - 012 - 06.5	5	12	6.5
L9000 - 005 - 017 - 10	5	17	10
L9000 - 006 - 012 - 06	6	12	6
L9000 - 007 - 014 - 04.2	7	14	4.2
L9000 - 007 - 015 - 08	7	15	8
L9000 - 008 - 014 - 07	8	14	7
L9000 - 008 - 015 - 09	8	15	9
L9000 - 008 - 018 - 10	8	18	10
L9000 - 008 - 022 - 09	8	22	9
L9000 - 009 - 015 - 09	9	15	9
L9000 - 010 - 016 - 06.5	10	16	6.5
L9000 - 010 - 018 - 06	10	18	6
L9000 - 010 - 018 - 07	10	18	7
L9000 - 010 - 020 - 06	10	20	6
L9000 - 011 - 021 - 07	11	21	7
L9000 - 012 - 018 - 07	12	18	7
L9000 - 012 - 020 - 09	12	20	9
L9000 - 012 - 024 - 10	12	24	10
L9000 - 014 - 022 - 07	14	22	7
L9000 - 014 - 022 - 09	14	22	9
L9000 - 015 - 025 - 09	15	25	9
L9000 - 015 - 027 - 07	15	27	7
L9000 - 016 - 022 - 04.5	16	22	4.5
L9000 - 016 - 026 - 06	16	26	6
L9000 - 016 - 026 - 09	16	26	9
L9000 - 016 - 028 - 07	16	28	7
L9000 - 016 - 032 - 09	16	32	9
L9000 - 017 - 025 - 11	17	25	11
L9000 - 018 - 025 - 05	18	25	5
L9000 - 018 - 025 - 05.5	18	25	5.5
L9000 - 018 - 026 - 07.5	18	26	7.5
L9000 - 018 - 028 - 09	18	28	9
L9000 - 020 - 028 - 05	20	28	5
L9000 - 020 - 030 - 09	20	30	9
L9000 - 020 - 030 - 11	20	30	11
L9000 - 020 - 035 - 13	20	35	13
L9000 - 020 - 040 - 11	20	40	11
L9000 - 022 - 030 - 07	22	30	7
L9000 - 022 - 035 - 11	22	35	11
L9000 - 022 - 040 - 11	22	40	11
L9000 - 024 - 032 - 08	24	32	8
L9000 - 024 - 034 - 09.5	24	34	9.5
L9000 - 025 - 033 - 08	24	33	8
L9000 - 025 - 035 - 05.5	25	35	5.5
L9000 - 025 - 036 - 08	25	35	8
L9000 - 025 - 036 - 06	25	36	6
L9000 - 025 - 038 - 11	25	38	11
L9000 - 025 - 040 - 11	25	40	11
L9000 - 028 - 035 - 05.5	28	35	5.5
L9000 - 028 - 038 - 09	28	38	9
L9000 - 030 - 038 - 06.5	30	38	6.5
L9000 - 030 - 038 - 09	30	38	9
L9000 - 030 - 040 - 05.5	30	40	5.5
L9000 - 030 - 040 - 08	30	40	8

Part Number	Inside Diameter (mm)	Outside Diameter (mm)	Depth (mm)
L9000 - 030 - 045 - 11	30	45	11
L9000 - 030 - 050 - 11	30	50	11
L9000 - 032 - 040 - 06	32	40	6
L9000 - 032 - 040 - 09	32	40	9
L9000 - 032 - 050 - 13	32	50	13
L9000 - 033 - 043 - 11	33	43	11
L9000 - 035 - 045 - 09	35	45	9
L9000 - 035 - 045 - 11	35	45	11
L9000 - 036 - 046 - 08	36	46	8
L9000 - 036 - 048 - 09	36	48	9
L9000 - 038 - 045 - 05.5	38	45	5.5
L9000 - 038 - 055 - 11	38	55	11
L9000 - 040 - 050 - 06	40	50	6
L9000 - 040 - 050 - 07.5	40	50	7.5
L9000 - 040 - 050 - 09	40	50	9
L9000 - 040 - 055 - 11	40	55	11
L9000 - 042 - 053 - 10	42	53	10
L9000 - 042 - 062 - 13	42	62	13
L9000 - 045 - 055 - 07.5	45	55	7.5
L9000 - 045 - 055 - 11	45	55	11
L9000 - 045 - 058 - 10	45	58	10
L9000 - 045 - 060 - 11	45	60	11
L9000 - 050 - 058 - 09	50	58	9
L9000 - 050 - 060 - 11	50	60	11
L9000 - 050 - 063 - 07	50	63	7
L9000 - 050 - 065 - 11	50	65	11
L9000 - 050 - 070 - 13	50	70	13
L9000 - 053 - 063 - 07.5	53	63	7.5
L9000 - 055 - 065 - 11	55	65	11
L9000 - 055 - 075 - 13	55	75	13
L9000 - 055 - 080 - 13	55	80	13
L9000 - 056 - 076 - 13	56	76	13
L9000 - 060 - 070 - 09	60	70	9
L9000 - 060 - 070 - 11	60	70	11
L9000 - 060 - 077 - 12	60	77	12
L9000 - 060 - 080 - 13	60	80	13
L9000 - 060 - 085 - 13.5	60	85	13.5
L9000 - 063 - 075 - 11	63	75	11
L9000 - 063 - 078 - 11	63	78	11
L9000 - 063 - 083 - 16	63	83	16
L9000 - 065 - 080 - 12	65	80	12
L9000 - 070 - 080 - 06	70	80	6
L9000 - 070 - 080 - 09	70	80	9
L9000 - 070 - 090 - 13	70	90	13
L9000 - 075 - 090 - 11	75	90	11
L9000 - 075 - 090 - 13	75	90	13
L9000 - 080 - 090 - 11	80	90	11
L9000 - 080 - 095 - 13	80	95	13
L9000 - 085 - 100 - 10	85	100	10
L9000 - 085 - 105 - 13	85	105	13
L9000 - 090 - 110 - 13	90	110	13
L9000 - 090 - 115 - 23	90	115	23
L9000 - 100 - 120 - 13	100	120	13
L9000 - 125 - 145 - 16	125	145	16
L9000 - 140 - 155 - 16	140	155	16
L9000 - 140 - 160 - 16	140	160	16

For availability of sizes not listed, please inquire.

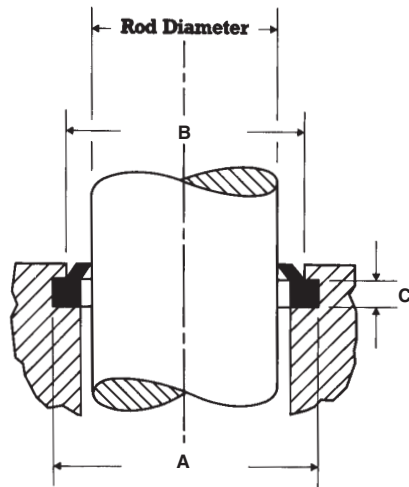


Rod Wipers

The main function of the Rod Wiper is to keep the rod and cylinder clean and free from foreign matter; thus preventing premature failure. The Rod Wiper is not a pressure sealing element, yet it avoids possible abrasive effects which may result if contaminants were to reach the sealing and rod bearing elements.

Style WD (RWD)

One-piece snap-in type rod wiper scrapers for heavy duty applications. WD (RWD) wipers are continuous (not split) and conform with wear and side motion for effective wiping action over the entire life span of the seal. APG stocks WD (RWD) Rod Wipers in 90 Durometer Urethane and in 90 Durometer Fluoroelastomer.



Note: APG Stocks a number of sizes with a Slotted Heel Design (SH) in urethane. This design prevents extrusion of snap-in wipers caused by pressure build-up due to excessive rod seal leakage. (See note regarding Slotted Heel Part Numbers below WD (RWD) Dimensional Data Table).



Groove Dimensions meet ANS/B93.35 1978 specifications. (NFPA-T3-197.3R1).

WD (RWD) Dimensional Data

Dash Number		Rod Diameter (inches)	Groove Dimensions		
90 Durometer			A (inches)	B (inches)	C (inches)
Urethane	Fluoro-elastomer		+0.006 -0.000	+0.010 -0.000	+0.004 -0.000
WD0250	**	1/4	.497	.410	.124
WD0312	**	5/16	.560	.475	.124
WD0375	**	3/8	.622	.535	.124
WD0437	**	7/16	.685	.600	.124
WD0500	**	1/2	.747	.660	.124
WD0562	**	9/16	.810	.725	.124
WD0625	**	5/8	.872	.785	.124
WD0687	**	11/16	.935	.850	.124
WD0750	**	3/4	1.122	.995	.187
WD0812	**	13/16	1.185	1.060	.187
WD0875	**	7/8	1.247	1.120	.187
WD0937	**	15/16	1.310	1.185	.187
WD1000	RWD100VT90	1	1.372	1.245	.187
WD1062	**	1-1/16	1.435	1.310	.187
WD1125	**	1-1/8	1.497	1.370	.187
WD1187	**	1-3/16	1.560	1.435	.187
WD1250	**	1-1/4	1.622	1.495	.187
**	**	1-5/16	1.685	1.560	.187
WD1375	RWD137VT90	1-3/8	1.747	1.620	.187

Dash Number		Rod Diameter (inches)	Groove Dimensions		
90 Durometer			A (inches)	B (inches)	C (inches)
Urethane	Fluoro-elastomer		+0.006 -0.000	+0.010 -0.000	+0.004 -0.000
**	**	1-7/16	1.810	1.685	.187
WD1500	**	1-1/2	1.872	1.745	.187
**	**	1-9/16	1.935	1.810	.187
WD1625	**	1-5/8	1.997	1.870	.187
**	**	1-11/16	2.060	1.935	.187
WD1750	**	1-3/4	2.122	1.995	.187
**	**	1-13/16	2.185	2.060	.187
WD1875	**	1-7/8	2.247	2.120	.187
**	**	1-15/16	2.310	2.185	.187
WD2000	RWD2000VT90	2	2.497	2.327	.249
**	**	2-1/16	2.560	2.390	.249
WD2125	**	2-1/8	2.622	2.452	.249
**	**	2-3/16	2.685	2.515	.249
WD2250	RWD2250VT90	2-1/4	2.747	2.577	.249
**	**	2-5/16	2.810	2.640	.249
WD2375	**	2-3/8	2.872	2.702	.249
**	**	2-7/16	2.935	2.765	.249
WD2500	RWD2500VT90	2-1/2	2.997	2.827	.249
**	**	2-9/16	3.060	2.890	.249

** Not currently an APG stock item. Call for availability.
Note: A part that is also available in a Slotted Heel Design will have an "SH" suffix in the part number.
Refer to current APG price lists.



Style WD (RWD) Dimensional Data (Continued)

Dash Number		Rod Diameter (inches)	Groove Dimensions		
90 Durometer			A (inches)	B (inches)	C (inches)
Urethane	Fluoro-elastomer		+0.006 -0.000	+0.010 -0.000	+0.004 -0.000
WD2625	**	2-5/8	3.122	2.952	.249
**	**	2-11/16	3.185	3.015	.249
WD2750	**	2-3/4	3.247	3.077	.249
**	**	2-13/16	3.310	3.140	.249
WD2875	**	2-7/8	3.372	3.202	.249
**	**	2-15/16	3.435	3.265	.249
WD3000	RWD3000VT90	3	3.497	3.327	.249
WD3125	**	3-1/8	3.622	3.452	.249
WD3250	**	3-1/4	3.747	3.577	.249
WD3375	**	3-3/8	3.872	3.702	.249
WD3500	**	3-1/2	3.997	3.827	.249
WD3625	**	3-5/8	4.122	3.952	.249
WD3750	**	3-3/4	4.247	4.077	.249
WD3875	**	3-7/8	4.372	4.202	.249
WD4000	RWD4000VT90	4	4.497	4.327	.249
WD4125	**	4-1/8	4.622	4.452	.249
WD4250	**	4-1/4	4.747	4.577	.249
WD4375	**	4-3/8	4.872	4.702	.249
WD4500	**	4-1/2	5.247	4.993	.374
WD4625	**	4-5/8	5.372	5.118	.374
WD4750	**	4-3/4	5.497	5.243	.374
WD4875	**	4-7/8	5.622	5.368	.374
WD5000	RWD5000VT90	5	5.747	5.493	.374
WD5125	**	5-1/8	5.872	5.618	.374
WD5250	**	5-1/4	5.997	5.743	.374
WD5375	**	5-3/8	6.122	5.868	.374
WD5500	**	5-1/2	6.247	5.993	.374
WD5625	**	5-5/8	6.372	6.118	.374
WD5750	**	5-3/4	6.497	6.243	.374
WD5875	**	5-7/8	6.622	6.368	.374
WD6000	**	6	6.747	6.493	.374
WD6250	**	6-1/4	6.997	6.743	.374
WD6500	**	6-1/2	7.247	6.993	.374
WD6625	**	6 5/8	7.372	7.118	.374
WD6750	**	6-3/4	7.497	7.243	.374
WD7000	**	7	7.747	7.493	.374
WD7250	**	7-1/4	7.997	7.743	.374
WD7500	**	7-1/2	8.247	7.993	.374
**	**	7-3/4	8.497	8.243	.374
WD8000	**	8	8.747	8.493	.374
**	**	8-1/4	8.997	8.743	.374
WD8500	**	8-1/2	9.247	8.993	.374
WD8750	**	8-3/4	9.497	9.243	.374
WD9000	**	9	9.747	9.493	.374
**	**	9-1/4	9.997	9.743	.374
**	**	9-1/2	10.247	9.993	.374
WD9750	**	9-3/4	10.497	10.243	.374
**	**	10	10.997	10.659	.499
**	**	10-1/4	11.247	10.909	.499
**	**	10-1/2	11.497	11.159	.499
**	**	10-3/4	11.747	11.409	.499
**	**	11	11.997	11.659	.499
**	**	11-1/4	12.247	11.909	.499
**	**	11-1/2	12.497	12.159	.499
**	**	11-3/4	12.747	12.409	.499
WD12000	**	12	12.997	12.659	.499
**	**	12-1/2	13.497	13.159	.499
**	**	13	13.997	13.659	.499

Special Needs?
Just ask. We can help!

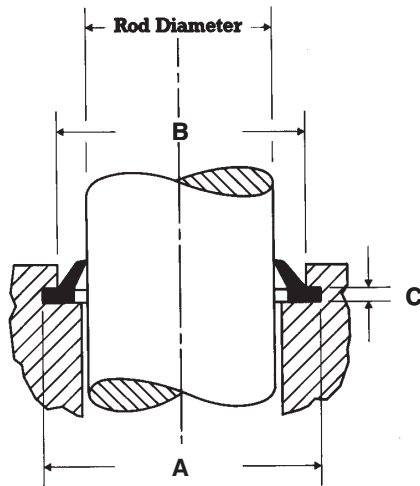
** Not currently an APG stock item. Call for availability.

Note: A part that is also available in a Slotted Heel Design will have an "SH" suffix in the part number. Refer to current APG price lists.



Style WAN Rod Wipers

Designed for light duty applications where style WD wipers are not required. Interchangeable with corresponding dash numbers of MS28776 wiper rings. Consult APG for AN6231 retrofit. APG stocks WAN Rod Wipers in 90 Durometer Urethane and in 90 Durometer Fluoroelastomer.



Note: APG Stocks a number of sizes with a Slotted Heel Design (SH) in urethane. This design prevents extrusion of snap-in wipers caused by pressure build-up due to excessive rod seal leakage. (See note regarding Slotted Heel Part Numbers below WAN Dimensional Data Table).



Groove Dimensions meet ANS/B93.35 1978 specifications. (NFPA-T3-197.3R1).

WAN Dimensional Data

WAN Dash Number 90 Durometer		Rod Diameter (inches)	Groove Dimensions		
Urethane	Fluoro-elastomer		A (inches) +.005 -.000	B (inches) +.010 -.000	C (inches) +.003 -.000
WAN01	**	1/2	.760	.647	.107
WAN02	**	9/16	.823	.710	.107
WAN03	WAN03V90	5/8	.885	.772	.107
WAN04	**	11/16	.948	.834	.107
WAN05	WAN05V90	3/4	1.010	.897	.107
WAN06	**	13/16	1.084	.960	.107
WAN07	WAN07V90	7/8	1.147	1.023	.107
WAN08	**	15/16	1.209	1.085	.107
WAN09	WAN09V90	1	1.272	1.148	.107
WAN10	**	1 1/16	1.334	1.210	.107
WAN11	WAN11V90	1 1/8	1.397	1.273	.107
WAN12	**	1 3/16	1.459	1.335	.107
WAN13	WAN13V90	1 1/4	1.522	1.398	.107
WAN14	**	1 5/16	1.614	1.480	.107
WAN15	WAN15V90	1 3/8	1.677	1.542	.107
WAN16	**	1 7/16	1.739	1.605	.107
WAN17	WAN17V90	1 1/2	1.802	1.668	.107
WAN17.5	**	1 9/16	1.865	1.731	.107
WAN18	WAN18V90	1 5/8	1.927	1.793	.107
WAN18	**	1 11/16	1.990	1.856	.107
WAN19	WAN19V90	1 3/4	2.052	1.918	.107
WAN19.5	**	1 13/16	2.115	1.981	.107
WAN20	**	1 7/8	2.177	2.043	.107
WAN20	**	1 15/16	2.240	2.106	.107

WAN Dash Number 90 Durometer		Rod Diameter (inches)	Groove Dimensions		
Urethane	Fluoro-elastomer		A (inches) +.005 -.000	B (inches) +.010 -.000	C (inches) +.003 -.000
WAN21	WAN21V90	2	2.302	2.178	.107
WAN21.5	**	2 1/16	2.365	2.241	.107
WAN22	**	2 1/8	2.427	2.303	.107
WAN22	**	1 3/16	2.490	2.366	.107
WAN23	WAN23V90	2 1/4	2.552	2.428	.107
WAN23.5	**	2 5/16	2.615	2.491	.107
WAN24	WAN24V90	2 3/8	2.677	2.553	.107
WAN24.5	**	2 7/16	2.740	2.616	.107
WAN25	WAN25V90	2 1/2	2.802	2.678	.107
WAN25.5	**	2 9/16	2.865	2.741	.107
WAN26	**	2 5/8	2.989	2.834	.122
WAN26	**	2 11/16	3.052	2.897	.122
WAN27	**	2 3/4	3.114	2.959	.122
WAN27	**	2 13/16	3.177	3.022	.122
WAN28	**	2 7/8	3.239	3.084	.122
WAN29	WAN29V90	3	3.364	3.209	.122
WAN30	**	3 1/8	3.489	3.334	.122
WAN31	**	3 1/4	3.614	3.459	.122
WAN32	**	3 3/8	3.739	3.584	.122
WAN33	WAN33V90	3 1/2	3.864	3.709	.122
WAN34	**	3 5/8	3.989	3.834	.122
WAN35	WAN35V90	3 3/4	4.114	3.959	.122
WAN36	**	3 7/8	4.239	4.084	.122
WAN37	**	4	4.427	4.240	.138

**Not currently an APG stock item. Call for availability.

Note: A part that is also available in a Slotted Heel Design will have an "SH" suffix in the part number. Refer to current APG price lists.



Style WAN Rod Wipers (Continued)

WAN Dash Number 90 Durometer		Rod Diameter (inches)	Groove Dimensions		
Urethane	Fluoro-elastomer		A (inches) +0.005 -0.000	B (inches) +0.010 -0.000	C (inches) +0.003 -0.000
WAN38	**	4 1/8	4.552	4.365	.138
WAN39	**	4 1/4	4.677	4.490	.138
WAN40	**	4 3/8	4.802	4.615	.138
WAN41	**	4 1/2	4.927	4.740	.138
WAN42	**	4 5/8	5.052	4.865	.138
WAN43	**	4 3/4	5.177	4.990	.138
WAN44	**	4 7/8	5.302	5.115	.138
WAN45	**	5	5.427	5.240	.138
WAN46	**	5 1/8	5.552	5.365	.138
WAN47	**	5 1/4	5.677	5.490	.138
WAN48	**	5 3/8	5.802	5.615	.138
WAN49	**	5 1/2	5.927	5.740	.138
WAN50	**	5 5/8	6.114	5.896	.154
WAN51	**	5 3/4	6.239	6.022	.154
WAN52	**	5 7/8	6.364	6.146	.154
WAN53	**	6	6.489	6.272	.154
WAN54	**	6 1/4	6.739	6.522	.154
WAN55	**	6 1/2	6.989	6.772	.154
WAN56	**	6 3/4	7.239	7.022	.154
WAN57	**	7	7.489	7.272	.154
WAN58	**	7 1/4	7.739	7.522	.154
WAN59	**	7 1/2	7.989	7.772	.154
	**	7 3/4	8.239	8.022	.154
WAN61	**	8	8.489	8.272	.154
	**	8 1/4	8.739	8.522	.154
WAN62	**	8 1/2	8.989	8.772	.154
	**	8 3/4	9.239	9.022	.154
WAN63	**	9	9.489	9.272	.154
WAN63.5	**	9 1/4	9.739	9.522	.154
WAN64	**	9 1/2	9.989	9.772	.154
	**	9 3/4	10.239	10.022	.154
WAN65	**	10	10.489	10.272	.154
	**	10 1/4	10.739	10.522	.154
WAN66	**	10 1/2	10.989	10.772	.154
	**	10 3/4	11.239	11.022	.154
WAN67	**	11	11.489	11.272	.154
	**	11 1/4	11.739	11.522	.169
	**	11 1/2	11.989	11.772	.169
	**	11 3/4	12.239	12.022	.169
	**	12	12.489	12.272	.169
	**	12 1/4	12.739	12.522	.169
	**	12 1/2	12.989	12.772	.169
	**	12 3/4	13.239	13.022	.169
	**	13	13.489	13.272	.169

Save Time!
Fax us your orders.
or quote requests.

Or –
Place your orders
On-Line at www.callapg.com

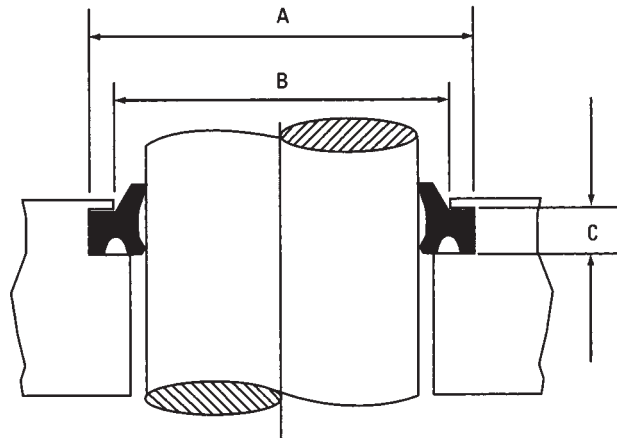
** Not currently an APG stock item. Call for availability.

Note: A part that is also available in a Slotted Heel Design will have an "SH" suffix in the part number. Refer to current APG price lists.



Style WH Rod Wipers

Designed for medium duty applications and can provide both wiping and sealing action in one component in low pressure systems. The external lip scrapes foreign matters from the rod, and the other lips act as an effective pressure seal in low pressure applications. This wiper can also be used as a secondary seal to trap slight leakage from the primary seal. This creates a very dry rod system. APG stocks WH Rod Wipers in 90 Durometer Urethane, 90 Durometer Fluoroelastomer and 90 Durometer Nitrile. In Fluoroelastomer and Nitrile, the WH Rod Wiper is also known as Series 8600.



WH Dimensional Data

WH Dash Number			Rod Diameter (inches)	Groove Dimensions (inches)		
90 Durometer				A	B	C
Urethane	Fluoroelastomer	Nitrile		+ .003 - .000	+ .003 - .000	+ .004 - .000
**	**	**	3/8	.677	.495	.203
WH0500	**	RWH0500H90	1/2	.802	.620	.203
WH0625	RWH0625VT90	RWH0625H90	5/8	.927	.745	.203
WH0750	**	RWH0750H90	3/4	1.052	.870	.203
**	**	RWH0812H90	13/16	1.177	.947	.218
WH0875	**	RWH0875H90	7/8	1.240	1.010	.218
WH1000	RWH1000VT90	RWH1000H90	1	1.365	1.135	.218
WH1125	**	**	1 1/8	1.490	1.260	.218
**	**	RWH1187H90	1 3/16	1.552	1.322	.218
WH1250	**	RWH1250H90	1 1/4	1.615	1.385	.218
WH1375	RWH1375VT90	RWH1375H90	1 3/8	1.740	1.510	.218
WH1500	**	RWH1500H90	1 1/2	1.865	1.635	.218
WH1625	**	**	1 5/8	1.990	1.760	.218
**	**	RWH1687H90	1 11/16	2.052	1.823	.218
WH1750	RWH1750VT90	RWH1750H90	1 3/4	2.115	1.885	.218
WH1875	**	**	1 7/8	2.240	2.010	.218
WH2000	RWH2000VT90	RWH2000H90	2	2.365	2.135	.218
WH2125	**	**	2 1/8	2.490	2.260	.218
**	**	RWH2187H90	2 3/16	2.683	2.323	.281
WH2250	**	**	2 1/4	2.745	2.385	.281
WH2375	**	**	2 3/8	2.870	2.510	.281
WH2500	RWH2500VT90	RWH2500H90	2 1/2	2.995	2.635	.281
WH2625	**	**	2 5/8	3.120	2.760	.281
WH2750	**	**	2 3/4	3.245	2.885	.281
**	**	**	2 7/8	3.370	3.010	.281
WH3000	**	RWH3000H90	3	3.495	3.135	.281
WH3250	**	**	3 1/4	3.745	3.385	.281
WH3500	RWH3500VT90	RWH3500H90	3 1/2	3.995	3.635	.281

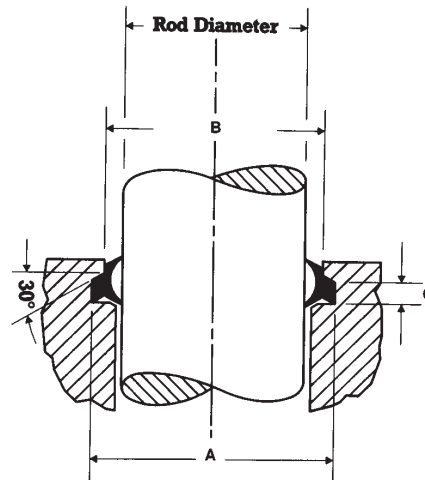
WH Dash Number			Rod Diameter (inches)	Groove Dimensions (inches)		
90 Durometer				A	B	C
Urethane	Fluoroelastomer	Nitrile		+ .003 - .000	+ .003 - .000	+ .004 - .000
**	**	RWH3625H90	3 5/8	4.120	3.760	.281
WH3750	**	RWH3750H90	3 3/4	4.245	3.885	.281
WH3875	**	**	3 7/8	4.370	4.010	.281
WH4000	**	RWH4000H90	4	4.495	4.135	.281
**	**	RWH4125H90	4 1/8	4.620	4.260	.281
**	**	RWH4250H90	4 1/4	4.745	4.385	.281
WH4500	**	RWH4500H90	4 1/2	4.995	4.635	.281
**	**	RWH4750H90	4 3/4	5.245	4.885	.281
WH5000	**	RWH5000H90	5	5.495	5.135	.281
**	**	**	5 1/4	5.745	5.385	.281
**	**	**	5 3/8	5.870	5.510	.281
WH5500	**	**	5 1/2	5.995	5.635	.281
**	**	**	5 3/4	6.245	5.885	.281
WH6000	**	**	6	6.495	6.135	.281
**	**	**	6 1/4	6.745	6.385	.281
WH6500	**	**	6 1/2	6.995	6.635	.281
**	**	**	6 5/8	7.120	6.760	.281
**	**	**	6 3/4	7.245	6.885	.281
WH7000	**	**	7	7.495	7.135	.281
**	**	**	7 1/4	7.745	7.385	.281
**	**	**	7 1/2	7.995	7.635	.281
**	**	**	7 3/4	8.245	7.885	.281
WH8000	**	**	8	8.495	8.135	.281
**	**	**	8 1/4	8.745	8.385	.281
**	**	**	8 1/2	8.995	8.635	.281
**	**	**	8 3/4	9.245	8.885	.281
**	**	**	9	9.495	9.135	.281

**Not currently an APG stock item. Call for availability.



Style WK Rod Wipers

Double lip design provides the ultimate in wiper action to remove foreign material from the exposed rod while still maintaining an adequate lubricating film. It protects both the rod and the primary seal. Molded in 90 Durometer Urethane for maximum strength abrasion resistance.



WK Dimensional Data

WK Dash Number	Rod Diameter (inches)	Groove Dimensions (inches)		
		A +.005 -.000	B +.000 -.005	C +.005 -.000
**	1/2	.760	.625	.155
WK0625	5/8	.885	.750	.155
WK0750	3/4	1.135	.832	.195
WK0875	7/8	1.260	.957	.195
WK1000	1	1.385	1.082	.195
WK1125	1 1/8	1.510	1.207	.195
WK1250	1 1/4	1.635	1.332	.195
WK1375	1 3/8	1.760	1.457	.195
WK1500	1 1/2	1.885	1.582	.195
**	1 5/8	2.010	1.707	.195
WK1750	1 3/4	2.135	1.832	.195
WK1875	1 7/8	2.260	1.957	.195
WK2000	2	2.385	2.082	.195
WK2125	2 1/8	2.510	2.207	.195
WK2250	2 1/4	2.760	2.407	.255
**	2 3/8	2.885	2.532	.255
WK2500	2 1/2	3.010	2.657	.255
**	2 5/8	3.135	2.782	.255
WK2750	2 3/4	3.260	2.907	.255
**	2 7/8	3.385	3.032	.255
WK3000	3	3.510	3.157	.255
**	3 1/4	3.760	3.407	.255

WK Dash Number	Rod Diameter (inches)	Groove Dimensions (inches)		
		A +.005 -.000	B +.000 -.005	C +.005 -.000
WK3500	3 1/2	4.010	3.657	.255
**	3 5/8	4.135	3.782	.255
WK3750	3 3/4	4.260	3.907	.255
**	3 7/8	4.385	4.032	.255
WK4000	4	4.510	4.157	.255
**	4 1/4	4.760	4.407	.255
**	4 1/2	5.010	4.657	.255
**	4 3/4	5.260	4.907	.255
**	5	5.510	5.157	.255
**	5 1/4	5.760	5.407	.255
**	5 3/8	5.885	5.532	.255
WK5500	5 1/2	6.010	5.657	.255
**	5 3/4	6.260	5.907	.255
**	6	6.510	6.157	.255
**	6 1/4	6.760	6.407	.255
**	6 1/2	7.010	6.657	.255
**	6 3/4	7.260	6.907	.255
**	7	7.510	7.157	.255
**	7 1/2	8.010	7.657	.255
**	8	8.510	8.157	.255
**	8 1/2	9.010	8.657	.255
**	9	9.510	9.157	.255

**Not currently an APG stock item. Call for availability.



Metric Wipers

Style M

Incorporates an external metal case with an 80 Durometer Nitrile lip. Designed for press-in fitting in open housings.



Style P6

One piece snap-in wiper for heavy duty applications. Metric equivalent to the WD Style (inch dimensions). Available in 80 Durometer Urethane, 92 Durometer Urethane, and 85 Durometer Fluoroelastomer. At time of publication of this catalog, Style P6 Wipers were not stock items at APG. Please inquire regarding current availability.



Style P7

Incorporates a metal insert for reinforcement. Capable of bridging a large tolerance and cannot seize due to rust. Available in 80 Durometer Nitrile.



Style P8

Similar to the P6 Style but has a step profile that provides an excellent interference fit in its groove and provides the wiper lip additional support. APG stocks the P8 Style in 80 Durometer Nitrile. May also be available in 93 Durometer Urethane. Please inquire for availability.



Metric Wiper Dimensional Data

Part Number	Inside Diam. (mm)	Outside Diam. (mm)	Shoulder Height (mm)	Overall Height (mm)
Style M				
MWM - 014 - 022 - 3/4	14	22	3	4
MWM - 016 - 022 - 3/4	16	22	3	4
MWM - 016 - 026 - 5/8	16	26	5	8
MWM - 020 - 028 - 3.5/5	20	28	3.5	5
MWM - 020 - 030 - 7/10	20	30	7	10
MWM - 025 - 035 - 7/10	25	35	7	10
MWM - 030 - 045 - 7/10	30	45	7	10
MWM - 032 - 042 - 7/10	32	42	7	10
MWM - 035 - 045 - 7/10	35	45	7	10
MWM - 040 - 050 - 7/10	40	50	7	10
MWM - 040 - 052 - 7/10	40	52	7	10
MWM - 045 - 055 - 7/10	45	55	7	10
MWM - 050 - 060 - 7/10	50	60	7	10
MWM - 050 - 065 - 7/10	50	65	7	10
MWM - 055 - 063 - 7/10	55	63	7	10
MWM - 055 - 065 - 7/10	55	65	7	10
MWM - 063 - 073 - 5/7	63	73	5	7
MWM - 065 - 075 - 7/10	65	75	7	10
MWM - 070 - 080 - 7/10	70	80	7	10
MWM - 075 - 085 - 7/10	75	85	7	10
MWM - 080 - 090 - 7/10	80	90	7	10
MWM - 085 - 095 - 7/10	85	95	7	10
MWM - 090 - 100 - 7/10	90	100	7	10
MWM - 105 - 115 - 7/10	105	115	7	10
MWM - 180 - 195 - 10/14	180	195	10	14

For availability of sizes not listed, please inquire.



Metric Wiper Dimensional Data (Continued)

Part Number	Inside Diam. (mm)	Outside Diam. (mm)	Shoulder Height (mm)	Overall Height (mm)
Style P7				
MWP7 - 008 - 014 - 3.5 / 5	8	14	3.5	5
MWP7 - 010 - 016 - 3.5 / 5	10	16	3.5	5
MWP7 - 010 - 016 - 3.5 / 5 - V	10	16	3.5	5
MWP7 - 012 - 018 - 3.5 / 5	12	18	3.5	5
MWP7 - 012 - 018 - 3.5 / 5 - V	12	18	3.5	5
MWP7 - 012 - 020 - 4/6	12	20	4	6
MWP7 - 012 - 022 - 5/8	12	22	5	8
MWP7 - 014 - 020 - 3.5 / 5	14	20	3.5	5
MWP7 - 016 - 022 - 3.5 / 5	16	22	3.5	5
MWP7 - 016 - 022 - 3.5 / 5 - V	16	22	3.5	5
MWP7 - 018 - 028 - 5/7	18	28	5	7
MWP7 - 018 - 028 - 7/10	18	28	7	10
MWP7 - 020 - 030 - 4/6	20	30	4	6
MWP7 - 020 - 030 - 5/7	20	30	5	7
MWP7 - 022 - 032 - 5/7	22	32	5	7
MWP7 - 022 - 032 - 7/10	22	32	7	10
MWP7 - 025 - 035 - 5/7	25	35	5	7
MWP7 - 025 - 035 - 5/7 - V	25	35	5	7
MWP7 - 028 - 038 - 5/7	28	38	5	7
MWP7 - 030 - 040 - 5/7	30	40	5	7
MWP7 - 030 - 040 - 7/10	30	40	7	10
MWP7 - 032 - 042 - 5/7	32	42	5	7
MWP7 - 032 - 042 - 5/7 - V	32	42	5	7
MWP7 - 032 - 045 - 7/10	32	45	7	10
MWP7 - 035 - 045 - 7/10	35	45	7	10
MWP7 - 040 - 050 - 5/8	40	50	5	8
MWP7 - 045 - 055 - 5/7	45	55	5	7
MWP7 - 050 - 060 - 5/7	50	60	5	7
MWP7 - 050 - 060 - 5/8	50	60	5	8
MWP7 - 050 - 060 - 7/10	50	60	7	10
MWP7 - 050 - 065 - 7/10	50	65	7	10
MWP7 - 055 - 065 - 5/7	55	65	5	7
MWP7 - 060 - 070 - 5/7	60	70	5	7
MWP7 - 060 - 070 - 7/10	60	70	7	10
MWP7 - 063 - 073 - 5/7	63	73	5	7
MWP7 - 065 - 075 - 5/7	65	75	5	7
MWP7 - 070 - 080 - 5/7	70	80	5	7
MWP7 - 075 - 083 - 7/10	75	83	7	10
MWP7 - 080 - 090 - 7/10	80	90	7	10
Style P8				
MWP8 - 024 - 032 - 4/7	24	32	4	7
MWP8 - 028 - 036 - 4/7	28	36	4	7
MWP8 - 032 - 040 - 4/7	32	40	4	7
MWP8 - 038 - 046 - 4/7 - U	38	46	4	7
MWP8 - 040 - 048 - 4/7	40	48	4	7
MWP8 - 045 - 053 - 4/7	45	53	4	7
MWP8 - 100 - 108 - 4/7	100	108	4	7

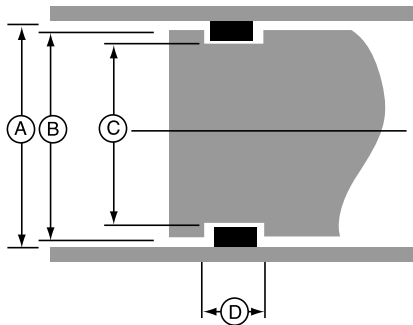
For availability of sizes not listed, please inquire.



Wear Rings

APG Wear Rings are Glass Filled Nylon. The high compressive strength and load bearing capabilities of this material meet or exceed that of most metals used for wear rings. The use of these non-metallic wear rings totally eliminates metal-to-metal contact and the subsequent galling and scoring of cylinder bores and rods. These wear rings readily ingest harmful metal flakes, burrs and small chips. They will not generate contamination as is common with metallic wear rings. They are compatible with all common hydraulic oils, water emulsions, water glycol, and phosphate ester fluids. Operating temperature to 350° F. Butt cut – standard stocking configuration.

Wear Ring Piston Installation



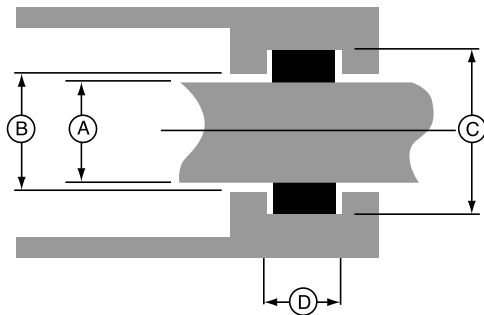
Formula for Calculating Piston Wear Ring Grooves

- (C) Max. Groove Dia. = (A) Min. Bore - 2 (Max. Wear Ring C/S).
(C) Tolerance = + .000/- .005
- (B) Max. Piston Dia. = [(C) Min. Groove + 2 (Min. Wear Ring C/S)] - 2
(Min. Radial Clearance of .005) (B) Tolerance = + .000/- .005
- (D) Groove Length = Actual Part Ht. + .010 (D) Tolerance = + .010/- .000

Notes:

The piston diameter (B) will not correspond to diameters called out for the piston seals. Additional clearances are required for wear ring use. Be sure the entire outside diameter of the piston is no larger than (B). Be sure the piston seal compound is considered to prevent extrusion of the piston seal with the new increased diametral clearance.

Wear Ring Rod Installation



Formula For Calculating Rod Wear Ring Grooves

- (C) Min. Groove Dia. = (A) Max. Rod Dia. +2 (Max. Wear Ring C/S).
(C) Tolerance = + .003/- .000
- (B) Min. Throat Dia. = [(C - 2 (Min. Wear Ring CS)] + 2
(Min. Radial Clearance of .005). (B) Tolerance = + .003/- .000
- (D) Groove Length = Actual Part Ht. + .010 (D) Tolerance = + .010/- .000

Notes:

- Rod throat diameter (B) is a new diameter over and above the diameter which is normally called out for the rod seal. Additional diametral clearance is required as noted for the wear ring to function properly. Since a larger clearance gap results, consideration as to the rod seal compounds must be made to avoid rod seal extrusion.
- Also consider wear ring groove design for small diameter sizes. Installation problems on small sizes will occur if the groove design is not compensated.



Wear Ring Dimensional Data/Piston & Rod Installation Data

Part Number	Wear Ring Dimensions (inches)				Piston Installation Groove Data (inches)				Rod Installation Groove Data (Inches)			
	Inside Diameter	Outside Diameter	Width	Cross Section	Bore Diameter	Piston Diameter + .000 - .005	Groove Diameter + .000 - .005	Groove Length + .010 - .000	Rod Diameter	Throat Diameter + .003 - .000	Groove Diameter + .003 - .000	Groove Length + .010 - .000
					A	B	C	D	A	B	C	D
**	5/8	7/8	1/4	1/8	7/8	0.850	0.625	0.260	5/8	0.648	0.875	0.260
**	3/4	1	1/4	1/8	1	0.975	0.750	0.260	3/4	0.773	1.000	0.260
WR21000375	3/4	1	3/8	1/8	1	0.975	0.750	0.385	3/4	0.773	1.000	0.385
WR21000500	3/4	1	1/2	1/8	1	0.975	0.750	0.510	3/4	0.773	1.000	0.510
**	13/16	1 1/16	3/8	1/8	1 1/16	1.037	0.787	0.385	13/16	0.810	1.037	0.385
**	7/8	1 1/8	3/8	1/8	1 1/8	1.100	0.875	0.385	7/8	0.898	1.125	0.385
**	7/8	1 1/8	1/2	1/8	1 1/8	1.100	0.875	0.510	7/8	0.898	1.125	0.510
**	1	1 1/4	1/4	1/8	1 1/4	1.225	1.000	0.260	1	1.023	1.250	0.260
WR21250375	1	1 1/4	3/8	1/8	1 1/4	1.225	1.000	0.385	1	1.023	1.250	0.385
WR21250500	1	1 1/4	1/2	1/8	1 1/4	1.225	1.000	0.510	1	1.023	1.250	0.510
**	1	1 1/4	5/8	1/8	1 1/4	1.225	1.000	0.635	1	1.023	1.250	0.635
**	1	1 1/4	3/4	1/8	1 1/4	1.225	1.000	0.760	1	1.023	1.250	0.760
WR21251000	1	1 1/4	1	1/8	1 1/4	1.225	1.000	1.010	1	1.023	1.250	1.010
WR21375500	1 1/8	1 3/8	1/2	1/8	1 3/8	1.350	1.125	0.510	1 1/8	1.148	1.375	0.510
**	1 1/4	1 1/2	3/16	1/8	1 1/2	1.475	1.250	0.197	1 1/4	1.273	1.500	0.197
**	1 1/4	1 1/2	1/4	1/8	1 1/2	1.475	1.250	0.260	1 1/4	1.273	1.500	0.260
WR21500375	1 1/4	1 1/2	3/8	1/8	1 1/2	1.475	1.250	0.385	1 1/4	1.273	1.500	0.385
**	1 1/4	1 1/2	7/16	1/8	1 1/2	1.475	1.250	0.447	1 1/4	1.273	1.500	0.447
WR21500500	1 1/4	1 1/2	1/2	1/8	1 1/2	1.475	1.250	0.510	1 1/4	1.273	1.500	0.510
**	1 1/4	1 1/2	5/8	1/8	1 1/2	1.475	1.250	0.635	1 1/4	1.273	1.500	0.635
**	1 1/4	1 1/2	3/4	1/8	1 1/2	1.475	1.250	0.760	1 1/4	1.273	1.500	0.760
**	1 1/4	1 1/2	1	1/8	1 1/2	1.475	1.250	1.010	1 1/4	1.273	1.500	1.010
**	15/16	1 9/16	3/8	1/8	1 9/16	1.537	1.313	0.385	15/16	1.336	1.563	0.385
**	15/16	1 9/16	1/2	1/8	1 9/16	1.537	1.313	0.510	15/16	1.336	1.563	0.510
**	1 3/8	1 5/8	1/4	1/8	1 5/8	1.600	1.375	0.260	1 3/8	1.398	1.625	0.260
**	1 3/8	1 5/8	3/8	1/8	1 5/8	1.600	1.375	0.385	1 3/8	1.398	1.625	0.385
WR21625500	1 3/8	1 5/8	1/2	1/8	1 5/8	1.600	1.375	0.510	1 3/8	1.398	1.625	0.510
**	1 3/8	1 5/8	3/4	1/8	1 5/8	1.600	1.375	0.760	1 3/8	1.398	1.625	0.760
**	1 1/2	1 3/4	1/4	1/8	1 3/4	1.725	1.500	0.260	1 1/2	1.523	1.750	0.260
WR21750375	1 1/2	1 3/4	3/8	1/8	1 3/4	1.725	1.500	0.385	1 1/2	1.523	1.750	0.385
WR21750500	1 1/2	1 3/4	1/2	1/8	1 3/4	1.725	1.500	0.510	1 1/2	1.523	1.750	0.510
**	1 1/2	1 3/4	5/8	1/8	1 3/4	1.725	1.500	0.635	1 1/2	1.523	1.750	0.635
**	1 1/2	1 3/4	3/4	1/8	1 3/4	1.725	1.500	0.760	1 1/2	1.523	1.750	0.760
WR21751000	1 1/2	1 3/4	1	1/8	1 3/4	1.725	1.500	1.010	1 1/2	1.523	1.750	1.010
**	1 5/8	1 7/8	1/2	1/8	1 7/8	1.850	1.625	0.510	1 5/8	1.648	1.875	0.510
**	1 3/4	2	3/16	1/8	2	1.975	1.750	0.197	1 3/4	1.773	2.000	0.197
**	1 3/4	2	1/4	1/8	2	1.975	1.750	0.260	1 3/4	1.773	2.000	0.260
WR22000375	1 3/4	2	3/8	1/8	2	1.975	1.750	0.385	1 3/4	1.773	2.000	0.385
WR22000500	1 3/4	2	1/2	1/8	2	1.975	1.750	0.510	1 3/4	1.773	2.000	0.510
WR22000625	1 3/4	2	5/8	1/8	2	1.975	1.750	0.635	1 3/4	1.773	2.000	0.635
WR22000750	1 3/4	2	3/4	1/8	2	1.975	1.750	0.760	1 3/4	1.773	2.000	0.760
**	1 3/4	2	1	1/8	2	1.975	1.750	1.010	1 3/4	1.773	2.000	1.010
**	1 7/8	2 1/8	1/4	1/8	2 1/8	2.100	1.875	0.260	1 7/8	1.898	2.125	0.260
WR22125375	1 7/8	2 1/8	3/8	1/8	2 1/8	2.100	1.875	0.385	1 7/8	1.898	2.125	0.385
**	1 7/8	2 1/8	1/2	1/8	2 1/8	2.100	1.875	0.510	1 7/8	1.898	2.125	0.510
WR22125750	1 7/8	2 1/8	3/4	1/8	2 1/8	2.100	1.875	0.760	1 7/8	1.898	2.125	0.760
**	2	2 1/4	3/16	1/8	2 1/4	2.225	2.000	0.197	2	2.023	2.250	0.197
**	2	2 1/4	1/4	1/8	2 1/4	2.225	2.000	0.260	2	2.023	2.250	0.260
**	2	2 1/4	5/16	1/8	2 1/4	2.225	2.000	0.322	2	2.023	2.250	0.322
**	2	2 1/4	3/8	1/8	2 1/4	2.225	2.000	0.385	2	2.023	2.250	0.385
WR22250500	2	2 1/4	1/2	1/8	2 1/4	2.225	2.000	0.510	2	2.023	2.250	0.510
**	2	2 1/4	5/8	1/8	2 1/4	2.225	2.000	0.635	2	2.023	2.250	0.635
**	2	2 1/4	3/4	1/8	2 1/4	2.225	2.000	0.760	2	2.023	2.250	0.760
**	2	2 1/4	1	1/8	2 1/4	2.225	2.000	1.010	2	2.023	2.250	1.010
**	2 1/8	2 3/8	3/8	1/8	2 3/8	2.350	2.125	0.385	2 1/8	2.148	2.375	0.385

**Not currently an APG stock item. Call for availability.



Wear Ring Dimensional Data/Piston & Rod Installation Data (Continued)

Part Number	Wear Ring Dimensions (inches)				Piston Installation Groove Data (inches)				Rod Installation Groove Data (Inches)			
	Inside Diameter	Outside Diameter	Width	Cross Section	Bore Diameter	Piston Diameter + .000 - .005	Groove Diameter + .000 - .005	Groove Length + .010 - .000	Rod Diameter	Throat Diameter + .003 - .000	Groove Diameter + .003 - .000	Groove Length + .010 - .000
**	2 1/8	2 3/8	1/2	1/8	2 3/8	2.350	2.125	0.510	2 1/8	2.148	2.375	0.510
**	2 1/8	2 3/8	5/8	1/8	2 3/8	2.350	2.125	0.635	2 1/8	2.148	2.375	0.635
WR22375750	2 1/8	2 3/8	3/4	1/8	2 3/8	2.350	2.125	0.760	2 1/8	2.148	2.375	0.760
**	2 1/8	2 3/8	1	1/8	2 3/8	2.350	2.125	1.010	2 1/8	2.148	2.375	1.010
WR22500250	2 1/4	2 1/2	1/4	1/8	2 1/2	2.475	2.250	0.260	2 1/4	2.273	2.500	0.260
**	2 1/4	2 1/2	5/16	1/8	2 1/2	2.475	2.225	0.322	2 1/4	2.273	2.500	0.322
**	2 1/4	2 1/2	3/8	1/8	2 1/2	2.475	2.250	0.385	2 1/4	2.273	2.500	0.385
WR22500500	2 1/4	2 1/2	1/2	1/8	2 1/2	2.475	2.250	0.510	2 1/4	2.273	2.500	0.510
WR22500625	2 1/4	2 1/2	5/8	1/8	2 1/2	2.475	2.250	0.635	2 1/4	2.273	2.500	0.635
WR22500750	2 1/4	2 1/2	3/4	1/8	2 1/2	2.475	2.250	0.760	2 1/4	2.273	2.500	0.760
**	2 1/4	2 1/2	1	1/8	2 1/2	2.475	2.250	1.010	2 1/4	2.273	2.500	1.010
**	2 3/8	2 5/8	1/4	1/8	2 5/8	2.600	2.375	0.260	2 3/8	2.398	2.625	0.260
**	2 3/8	2 5/8	5/16	1/8	2 5/8	2.600	2.375	0.322	2 3/8	2.398	2.625	0.322
**	2 3/8	2 5/8	3/8	1/8	2 5/8	2.600	2.375	0.385	2 3/8	2.398	2.625	0.385
**	2 3/8	2 5/8	1/2	1/8	2 5/8	2.600	2.375	0.510	2 3/8	2.398	2.625	0.510
**	2 3/8	2 5/8	5/8	1/8	2 5/8	2.600	2.375	0.635	2 3/8	2.398	2.625	0.635
WR22625750	2 3/8	2 5/8	3/4	1/8	2 5/8	2.600	2.375	0.760	2 3/8	2.398	2.625	0.760
**	2 3/8	2 5/8	1	1/8	2 5/8	2.600	2.375	1.010	2 3/8	2.398	2.625	1.010
**	2 7/16	2 11/16	5/16	1/8	2 11/16	2.663	2.438	0.322	2 7/16	2.461	2.688	0.322
**	2 7/16	2 11/16	3/8	1/8	2 11/16	2.663	2.438	0.385	2 7/16	2.461	2.688	0.385
**	2 1/2	2 3/4	1/4	1/8	2 3/4	2.725	2.500	0.260	2 1/2	2.523	2.750	0.260
**	2 1/2	2 3/4	5/16	1/8	2 3/4	2.725	2.500	0.322	2 1/2	2.523	2.750	0.322
**	2 1/2	2 3/4	3/8	1/8	2 3/4	2.725	2.500	0.385	2 1/2	2.523	2.750	0.385
WR22750500	2 1/2	2 3/4	1/2	1/8	2 3/4	2.725	2.500	0.510	2 1/2	2.523	2.750	0.510
**	2 1/2	2 3/4	5/8	1/8	2 3/4	2.725	2.500	0.635	2 1/2	2.523	2.750	0.635
**	2 1/2	2 3/4	3/4	1/8	2 3/4	2.725	2.500	0.760	2 1/2	2.523	2.750	0.760
WR22750100	2 1/2	2 3/4	1	1/8	2 3/4	2.725	2.500	1.010	2 1/2	2.523	2.750	1.010
**	2 5/8	2 7/8	3/8	1/8	2 7/8	2.850	2.625	0.385	2 5/8	2.648	2.875	0.385
**	2 5/8	2 7/8	1/2	1/8	2 7/8	2.850	2.625	0.510	2 5/8	2.648	2.875	0.510
WR22875100	2 5/8	2 7/8	1	1/8	2 7/8	2.850	2.625	1.010	2 5/8	2.648	2.875	0.635
**	2 3/4	3	3/16	1/8	3	2.975	2.750	0.197	2 3/4	2.773	3.000	0.197
**	2 3/4	3	1/4	1/8	3	2.975	2.750	0.260	2 3/4	2.773	3.000	0.260
**	2 3/4	3	3/8	1/8	3	2.975	2.750	0.385	2 3/4	2.773	3.000	0.385
WR23000500	2 3/4	3	1/2	1/8	3	2.975	2.750	0.510	2 3/4	2.773	3.000	0.510
WR23000625	2 3/4	3	5/8	1/8	3	2.975	2.750	0.635	2 3/4	2.773	3.000	0.635
WR23000750	2 3/4	3	3/4	1/8	3	2.975	2.750	0.760	2 3/4	2.773	3.000	0.760
**	2 3/4	3	1	1/8	3	2.975	2.750	1.010	2 3/4	2.773	3.000	1.010
**	2 7/8	3 1/8	1/2	1/8	3 1/8	3.100	2.875	0.510	2 7/8	2.898	3.125	0.510
**	2 7/8	3 1/8	5/8	1/8	3 1/8	3.100	2.875	0.635	2 7/8	2.898	3.125	0.635
**	2 7/8	3 1/8	1	1/8	3 1/8	3.100	2.875	1.010	2 7/8	2.898	3.125	1.010
**	3	3 1/4	1/4	1/8	3 1/4	3.225	3.000	0.260	3	3.023	3.250	0.260
WR23250312	3	3 1/4	5/16	1/8	3 1/4	3.225	3.000	0.322	3	3.023	3.250	0.322
**	3	3 1/4	3/8	1/8	3 1/4	3.225	3.000	0.385	3	3.023	3.250	0.385
WR23250500	3	3 1/4	1/2	1/8	3 1/4	3.225	3.000	0.510	3	3.023	3.250	0.510
**	3	3 1/4	5/8	1/8	3 1/4	3.225	3.000	0.635	3	3.023	3.250	0.635
WR23250750	3	3 1/4	3/4	1/8	3 1/4	3.225	3.000	0.760	3	3.023	3.250	0.760
**	3	3 1/4	1	1/8	3 1/4	3.225	3.000	1.010	3	3.023	3.250	1.010
**	3 1/8	3 3/8	1/2	1/8	3 3/8	3.350	3.125	0.510	3 1/8	3.148	3.375	0.510
**	3 1/8	3 3/8	5/8	1/8	3 3/8	3.350	3.125	0.635	3 1/8	3.148	3.375	0.635
WR23375750	3 1/8	3 3/8	3/4	1/8	3 3/8	3.350	3.125	0.760	3 1/8	3.148	3.375	0.760
**	3 1/4	3 1/2	3/16	1/8	3 1/2	3.475	3.250	0.197	3 1/4	3.273	3.500	0.197
**	3 1/4	3 1/2	1/4	1/8	3 1/2	3.475	3.250	0.260	3 1/4	3.273	3.500	0.260
**	3 1/4	3 1/2	5/16	1/8	3 1/2	3.475	3.250	0.322	3 1/4	3.273	3.500	0.322
**	3 1/4	3 1/2	3/8	1/8	3 1/2	3.475	3.250	0.385	3 1/4	3.273	3.500	0.385
**	3 1/4	3 1/2	7/16	1/8	3 1/2	3.475	3.250	0.447	3 1/4	3.273	3.500	0.447

** Not currently an APG stock item. Call for availability.



Wear Ring Dimensional Data/Piston & Rod Installation Data (Continued)

Part Number	Wear Ring Dimensions (inches)				Piston Installation Groove Data (inches)				Rod Installation Groove Data (Inches)			
	Inside Diameter	Outside Diameter	Width	Cross Section	Bore Diameter	Piston Diameter + .000 - .005	Groove Diameter + .000 - .005	Groove Length + .010 - .000	Rod Diameter	Throat Diameter + .003 - .000	Groove Diameter + .003 - .000	Groove Length + .010 - .000
					A	B	C	D	A	B	C	D
WR23500500	3 1/4	3 1/2	1/2	1/8	3 1/2	3.475	3.250	0.510	3 1/4	3.273	3.500	0.510
**	3 1/4	3 1/2	9/16	1/8	3 1/2	3.475	3.250	0.572	3 1/4	3.273	3.500	0.572
**	3 1/4	3 1/2	5/8	1/8	3 1/2	3.475	3.250	0.635	3 1/4	3.273	3.500	0.635
WR23500750	3 1/4	3 1/2	3/4	1/8	3 1/2	3.475	3.250	0.760	3 1/4	3.273	3.500	0.760
**	3 1/4	3 1/2	7/8	1/8	3 1/2	3.475	3.250	0.885	3 1/4	3.273	3.500	0.885
WR235001000	3 1/4	3 1/2	1	1/8	3 1/2	3.475	3.250	1.010	3 1/4	3.273	3.500	1.010
**	3 3/8	3 5/8	1/4	1/8	3 5/8	3.600	3.375	0.260	3 3/8	3.398	3.625	0.260
**	3 3/8	3 5/8	3/8	1/8	3 5/8	3.600	3.375	0.385	3 3/8	3.398	3.625	0.385
**	3 3/8	3 5/8	1/2	1/8	3 5/8	3.600	3.375	0.510	3 3/8	3.398	3.625	0.510
**	3 3/8	3 5/8	5/8	1/8	3 5/8	3.600	3.375	0.635	3 3/8	3.398	3.625	0.635
**	3 3/8	3 5/8	3/4	1/8	3 5/8	3.600	3.375	0.760	3 3/8	3.398	3.625	0.760
**	3 3/8	3 5/8	1	1/8	3 5/8	3.600	3.375	1.010	3 3/8	3.398	3.625	1.010
**	3 7/16	3 11/16	1/2	1/8	3 11/16	3.663	3.438	0.510	3 7/16	3.461	3.688	0.510
WR23750250	3 1/2	3 3/4	1/4	1/8	3 3/4	3.725	3.500	0.260	3 1/2	3.523	3.750	0.260
WR23750375	3 1/2	3 3/4	3/8	1/8	3 3/4	3.725	3.500	0.385	3 1/2	3.523	3.750	0.385
WR23750500	3 1/2	3 3/4	1/2	1/8	3 3/4	3.725	3.500	0.510	3 1/2	3.523	3.750	0.510
WR23750625	3 1/2	3 3/4	5/8	1/8	3 3/4	3.725	3.500	0.635	3 1/2	3.523	3.750	0.635
WR23750750	3 1/2	3 3/4	3/4	1/8	3 3/4	3.725	3.500	0.760	3 1/2	3.523	3.750	0.760
**	3 1/2	3 3/4	1	1/8	3 3/4	3.725	3.500	1.010	3 1/2	3.523	3.750	1.010
**	3 5/8	3 7/8	1/4	1/8	3 7/8	3.850	3.625	0.260	3 5/8	3.648	3.875	0.260
**	3 5/8	3 7/8	3/8	1/8	3 7/8	3.850	3.625	0.385	3 5/8	3.648	3.875	0.385
**	3 5/8	3 7/8	1/2	1/8	3 7/8	3.850	3.625	0.510	3 5/8	3.648	3.875	0.510
**	3 5/8	3 7/8	5/8	1/8	3 7/8	3.850	3.625	0.635	3 5/8	3.648	3.875	0.635
**	3 5/8	3 7/8	3/4	1/8	3 7/8	3.850	3.625	0.760	3 5/8	3.648	3.875	0.760
**	3 5/8	3 7/8	1	1/8	3 7/8	3.850	3.625	1.010	3 5/8	3.648	3.875	1.010
**	3 11/16	3 15/16	1/2	1/8	3 15/16	3.913	3.688	0.510	3 11/16	3.711	3.938	0.510
**	3 3/4	4	3/16	1/8	4	3.975	3.750	0.197	3 3/4	3.773	4.000	0.197
**	3 3/4	4	1/4	1/8	4	3.975	3.750	0.260	3 3/4	3.773	4.000	0.260
**	3 3/4	4	5/16	1/8	4	3.975	3.750	0.322	3 3/4	3.773	4.000	0.322
WR24000375	3 3/4	4	3/8	1/8	4	3.975	3.750	0.385	3 3/4	3.773	4.000	0.385
WR24000500	3 3/4	4	1/2	1/8	4	3.975	3.750	0.510	3 3/4	3.773	4.000	0.510
WR24000625	3 3/4	4	5/8	1/8	4	3.975	3.750	0.635	3 3/4	3.773	4.000	0.635
WR24000750	3 3/4	4	3/4	1/8	4	3.975	3.750	0.760	3 3/4	3.773	4.000	0.760
WR240001000	3 3/4	4	1	1/8	4	3.975	3.750	1.010	3 3/4	3.773	4.000	1.010
**	3 7/8	4 1/8	3/8	1/8	4 1/8	4.100	3.875	0.385	3 7/8	3.898	4.125	0.385
**	3 7/8	4 1/8	1/2	1/8	4 1/8	4.100	3.875	0.510	3 7/8	3.898	4.125	0.510
**	3 7/8	4 1/8	5/8	1/8	4 1/8	4.100	3.875	0.635	3 7/8	3.898	4.125	0.635
**	3 7/8	4 1/8	3/4	1/8	4 1/8	4.100	3.875	0.760	3 7/8	3.898	4.125	0.760
**	3 7/8	4 1/8	1	1/8	4 1/8	4.100	3.875	1.010	3 7/8	3.898	4.125	1.010
**	4	4 1/4	1/4	1/8	4 1/4	4.225	4.000	0.260	4	4.023	4.250	0.260
**	4	4 1/4	3/8	1/8	4 1/4	4.225	4.000	0.385	4	4.023	4.250	0.385
**	4	4 1/4	1/2	1/8	4 1/4	4.225	4.000	0.510	4	4.023	4.250	0.510
**	4	4 1/4	5/8	1/8	4 1/4	4.225	4.000	0.635	4	4.023	4.250	0.635
WR24250750	4	4 1/4	3/4	1/8	4 1/4	4.225	4.000	0.760	4	4.023	4.250	0.760
**	4	4 1/4	1	1/8	4 1/4	4.225	4.000	1.010	4	4.023	4.250	1.010
**	4 1/8	4 3/8	1/2	1/8	4 3/8	4.350	4.125	0.510	4 1/8	4.148	4.375	0.510
**	4 1/8	4 3/8	5/8	1/8	4 3/8	4.350	4.125	0.635	4 1/8	4.148	4.375	0.635
WR24500250	4 1/4	4 1/2	1/4	1/8	4 1/2	4.475	4.250	0.260	4 1/4	4.273	4.500	0.260
WR24500375	4 1/4	4 1/2	3/8	1/8	4 1/2	4.475	4.250	0.385	4 1/4	4.273	4.500	0.385
WR24500500	4 1/4	4 1/2	1/2	1/8	4 1/2	4.475	4.250	0.510	4 1/4	4.273	4.500	0.510
WR24500625	4 1/4	4 1/2	5/8	1/8	4 1/2	4.475	4.250	0.635	4 1/4	4.273	4.500	0.635
WR24500750	4 1/4	4 1/2	3/4	1/8	4 1/2	4.475	4.250	0.760	4 1/4	4.273	4.500	0.760
**	4 1/4	4 1/2	1	1/8	4 1/2	4.475	4.250	1.010	4 1/4	4.273	4.500	1.010
**	4 1/4	4 1/2	1 1/4	1/8	4 1/2	4.475	4.250	1.260	4 1/4	4.273	4.500	1.260
WR24625500	4 3/8	4 5/8	1/2	1/8	4 5/8	4.600	4.375	0.510	4 3/8	4.398	4.625	0.510

**Not currently an APG stock item. Call for availability.



Wear Ring Dimensional Data/Piston & Rod Installation Data (Continued)

Part Number	Wear Ring Dimensions (inches)				Piston Installation Groove Data (inches)				Rod Installation Groove Data (Inches)			
	Inside Diameter	Outside Diameter	Width	Cross Section	Bore Diameter	Piston Diameter + .000 - .005	Groove Diameter + .000 - .005	Groove Length + .010 - .000	Rod Diameter	Throat Diameter + .003 - .000	Groove Diameter + .003 - .000	Groove Length + .010 - .000
					A	B	C	D	A	B	C	D
**	4 3/8	4 5/8	3/4	1/8	4 5/8	4.600	4.375	0.760	4 3/8	4.398	4.625	0.760
**	4 1/2	4 3/4	3/8	1/8	4 3/4	4.725	4.500	0.385	4 1/2	4.523	4.750	0.385
WR24750500	4 1/2	4 3/4	1/2	1/8	4 3/4	4.725	4.500	0.510	4 1/2	4.523	4.750	0.510
**	4 1/2	4 3/4	5/8	1/8	4 3/4	4.725	4.500	0.635	4 1/2	4.523	4.750	0.635
**	4 1/2	4 3/4	3/4	1/8	4 3/4	4.725	4.500	0.760	4 1/2	4.523	4.750	0.760
**	4 1/2	4 3/4	1	1/8	4 3/4	4.725	4.500	1.010	4 1/2	4.523	4.750	1.010
WR247502000	4 1/2	4 3/4	2	1/8	4 3/4	4.725	4.500	2.010	4 1/2	4.523	4.750	2.010
**	4 5/8	4 7/8	5/8	1/8	4 7/8	4.850	4.625	0.635	4 5/8	4.648	4.875	0.635
**	4 5/8	4 7/8	3/4	1/8	4 7/8	4.850	4.625	0.760	4 5/8	4.648	4.875	0.760
**	4 3/4	5	1/4	1/8	5	4.975	4.750	0.260	4 3/4	4.773	5.000	0.260
WR25000375	4 3/4	5	3/8	1/8	5	4.975	4.750	0.385	4 3/4	4.773	5.000	0.385
WR25000500	4 3/4	5	1/2	1/8	5	4.975	4.750	0.510	4 3/4	4.773	5.000	0.510
WR25000625	4 3/4	5	5/8	1/8	5	4.975	4.750	0.635	4 3/4	4.773	5.000	0.635
**	4 3/4	5	3/4	1/8	5	4.975	4.750	0.760	4 3/4	4.773	5.000	0.760
**	4 3/4	5	1	1/8	5	4.975	4.750	1.010	4 3/4	4.773	5.000	1.010
**	4 7/8	5 1/8	1/2	1/8	5 1/8	5.100	4.875	0.51	4 7/8	4.898	5.125	0.510
**	4 7/8	5 1/8	5/8	1/8	5 1/8	5.100	4.875	0.635	4 7/8	4.898	5.125	0.635
**	4 7/8	5 1/8	1	1/8	5 1/8	5.100	4.875	1.010	4 7/8	4.898	5.125	1.010
**	5	5 1/4	3/8	1/8	5 1/4	5.225	5.000	0.385	5	5.023	5.250	0.385
WR25250500	5	5 1/4	1/2	1/8	5 1/4	5.225	5.000	0.510	5	5.023	5.250	0.510
**	5	5 1/4	5/8	1/8	5 1/4	5.225	5.000	0.635	5	5.023	5.250	0.635
**	5	5 1/4	3/4	1/8	5 1/4	5.225	5.000	0.760	5	5.023	5.250	0.760
**	5	5 1/4	1	1/8	5 1/4	5.225	5.000	1.010	5	5.023	5.250	1.010
**	5 1/8	5 3/8	1/2	1/8	5 3/8	5.350	5.125	0.510	5 1/8	5.148	5.375	0.510
**	5 1/4	5 1/2	1/4	1/8	5 1/2	5.475	5.250	0.260	5 1/4	5.273	5.500	0.260
**	5 1/4	5 1/2	3/8	1/8	5 1/2	5.475	5.250	0.385	5 1/4	5.273	5.500	0.385
WR25500500	5 1/4	5 1/2	1/2	1/8	5 1/2	5.475	5.250	0.510	5 1/4	5.273	5.500	0.510
**	5 1/4	5 1/2	5/8	1/8	5 1/2	5.475	5.250	0.635	5 1/4	5.273	5.500	0.635
WR25500750	5 1/4	5 1/2	3/4	1/8	5 1/2	5.475	5.250	0.760	5 1/4	5.273	5.500	0.760
**	5 1/4	5 1/2	1	1/8	5 1/2	5.475	5.250	1.010	5 1/4	5.273	5.500	1.010
**	5 3/8	5 5/8	3/8	1/8	5 5/8	5.600	5.375	0.385	5 3/8	5.398	5.625	0.385
WR25625500	5 3/8	5 5/8	1/2	1/8	5 5/8	5.600	5.375	0.510	5 3/8	5.398	5.625	0.510
WR25025625	5 3/8	5 5/8	5/8	1/8	5 5/8	5.600	5.375	0.635	5 3/8	5.398	5.625	0.635
WR25625750	5 3/8	5 5/8	3/4	1/8	5 5/8	5.600	5.375	0.760	5 3/8	5.398	5.625	0.760
**	5 3/8	5 5/8	1	1/8	5 5/8	5.600	5.375	1.010	5 3/8	5.398	5.625	1.010
**	5 1/2	5 3/4	1/4	1/8	5 3/4	5.725	5.500	0.260	5 1/2	5.523	5.750	0.260
WR25750375	5 1/2	5 3/4	3/8	1/8	5 3/4	5.725	5.500	0.385	5 1/2	5.523	5.750	0.385
WR25750500	5 1/2	5 3/4	1/2	1/8	5 3/4	5.725	5.500	0.510	5 1/2	5.523	5.750	0.510
**	5 1/2	5 3/4	5/8	1/8	5 3/4	5.725	5.500	0.635	5 1/2	5.523	5.750	0.635
**	5 1/2	5 3/4	3/4	1/8	5 3/4	5.725	5.500	0.760	5 1/2	5.523	5.750	0.760
**	5 1/2	5 3/4	1	1/8	5 3/4	5.725	5.500	1.010	5 1/2	5.523	5.750	1.010
**	5 5/8	5 7/8	3/8	1/8	5 7/8	5.850	5.625	0.385	5 5/8	5.648	5.875	0.385
**	5 5/8	5 7/8	1/2	1/8	5 7/8	5.850	5.625	0.510	5 5/8	5.648	5.875	0.510
**	5 5/8	5 7/8	5/8	1/8	5 7/8	5.850	5.625	0.635	5 5/8	5.648	5.875	0.635
**	5 5/8	5 7/8	3/4	1/8	5 7/8	5.850	5.625	0.760	5 5/8	5.648	5.875	0.760
**	5 5/8	5 7/8	1	1/8	5 7/8	5.850	5.625	1.010	5 5/8	5.648	5.875	1.010
**	5 3/4	6	1/4	1/8	6	5.975	5.750	0.260	5 3/4	5.773	6.000	0.260
**	5 3/4	6	3/8	1/8	6	5.975	5.750	0.385	5 3/4	5.773	6.000	0.385
WR26000500	5 3/4	6	1/2	1/8	6	5.975	5.750	0.510	5 3/4	5.773	6.000	0.510
**	5 3/4	6	5/8	1/8	6	5.975	5.750	0.635	5 3/4	5.773	6.000	0.635
**	5 3/4	6	3/4	1/8	6	5.975	5.750	0.760	5 3/4	5.773	6.000	0.760
**	5 3/4	6	7/8	1/8	6	5.975	5.750	0.885	5 3/4	5.773	6.000	0.885
**	5 3/4	6	1	1/8	6	5.975	5.750	1.010	5 3/4	5.773	6.000	1.010
**	6	6 1/4	1/2	1/8	6 1/4	6.225	6.000	0.510	6	6.023	6.250	0.510
WR26250625	6	6 1/4	5/8	1/8	6 1/4	6.225	6.000	0.635	6	6.023	6.250	0.635

** Not currently an APG stock item. Call for availability.



Wear Ring Dimensional Data/Piston & Rod Installation Data (Continued)

Part Number	Wear Ring Dimensions (inches)				Piston Installation Groove Data (inches)				Rod Installation Groove Data (Inches)			
	Inside Diameter	Outside Diameter	Width	Cross Section	Bore Diameter	Piston Diameter + .000 - .005	Groove Diameter + .000 - .005	Groove Length + .010 - .000	Rod Diameter	Throat Diameter + .003 - .000	Groove Diameter + .003 - .000	Groove Length + .010 - .000
					A	B	C	D	A	B	C	D
WR26250750	6	6 1/4	3/4	1/8	6 1/4	6.225	6.000	0.760	6	6.023	6.250	0.760
**	6	6 1/4	1	1/8	6 1/4	6.225	6.000	1.010	6	6.023	6.250	1.010
WR26500500	6 1/4	6 1/2	1/2	1/8	6 1/2	6.475	6.250	0.510	6 1/4	6.273	6.500	0.510
**	6 1/4	6 1/2	5/8	1/8	6 1/2	6.475	6.250	0.635	6 1/4	6.273	6.500	0.635
**	6 1/4	6 1/2	3/4	1/8	6 1/2	6.475	6.250	0.760	6 1/4	6.273	6.500	0.760
**	6 1/4	6 1/2	1	1/8	6 1/2	6.475	6.250	1.010	6 1/4	6.273	6.500	1.010
**	6 1/2	6 3/4	1/2	1/8	6 3/4	6.725	6.500	0.510	6 1/2	6.523	6.750	0.510
WR26750625	6 1/2	6 3/4	5/8	1/8	6 3/4	6.725	6.500	0.635	6 1/2	6.523	6.750	0.635
**	6 1/2	6 3/4	3/4	1/8	6 3/4	6.725	6.500	0.760	6 1/2	6.523	6.750	0.760
**	6 1/2	6 3/4	1	1/8	6 3/4	6.725	6.500	1.010	6 1/2	6.523	6.750	1.010
WR27000500	6 3/4	7	1/2	1/8	7	6.975	6.750	0.510	6 3/4	6.773	7.000	0.510
**	6 3/4	7	5/8	1/8	7	6.975	6.750	0.635	6 3/4	6.773	7.000	0.635
**	6 3/4	7	3/4	1/8	7	6.975	6.750	0.760	6 3/4	6.773	7.000	0.760
**	6 3/4	7	1	1/8	7	6.975	6.750	1.010	6 3/4	6.773	7.000	1.010
**	7	7 1/4	3/8	1/8	7 1/4	7.225	7.000	0.385	7	7.023	7.250	0.385
**	7	7 1/4	1/2	1/8	7 1/4	7.225	7.000	0.510	7	7.023	7.250	0.510
**	7	7 1/4	5/8	1/8	7 1/4	7.225	7.000	0.635	7	7.023	7.250	0.635
**	7	7 1/4	3/4	1/8	7 1/4	7.225	7.000	0.760	7	7.023	7.250	0.760
**	7	7 1/4	1	1/8	7 1/4	7.225	7.000	1.010	7	7.023	7.250	1.010
**	7 1/4	7 1/2	3/8	1/8	7 1/2	7.475	7.250	0.385	7 1/4	7.273	7.500	0.385
WR27500500	7 1/4	7 1/2	1/2	1/8	7 1/2	7.475	7.250	0.510	7 1/4	7.273	7.500	0.510
**	7 1/4	7 1/2	5/8	1/8	7 1/2	7.475	7.250	0.635	7 1/4	7.273	7.500	0.635
**	7 1/4	7 1/2	3/4	1/8	7 1/2	7.475	7.250	0.760	7 1/4	7.273	7.500	0.760
**	7 1/4	7 1/2	1	1/8	7 1/2	7.475	7.250	1.010	7 1/4	7.273	7.500	1.010
**	7 3/8	7 5/8	3/4	1/8	7 5/8	7.600	7.375	0.760	7 3/8	7.398	7.625	0.760
**	7 1/2	7 3/4	3/8	1/8	7 3/4	7.725	7.500	0.385	7 1/2	7.523	7.750	0.385
**	7 1/2	7 3/4	1/2	1/8	7 3/4	7.725	7.500	0.510	7 1/2	7.523	7.750	0.510
**	7 1/2	7 3/4	5/8	1/8	7 3/4	7.725	7.500	0.635	7 1/2	7.523	7.750	0.635
**	7 1/2	7 3/4	3/4	1/8	7 3/4	7.725	7.500	0.760	7 1/2	7.523	7.750	0.760
**	7 1/2	7 3/4	1	1/8	7 3/4	7.725	7.500	1.010	7 1/2	7.523	7.750	1.010
**	7 3/4	8	3/8	1/8	8	7.975	7.750	0.385	7 3/4	7.773	8.000	0.385
WR28000500	7 3/4	8	1/2	1/8	8	7.975	7.750	0.510	7 3/4	7.773	8.000	0.510
**	7 3/4	8	5/8	1/8	8	7.975	7.750	0.635	7 3/4	7.773	8.000	0.635
**	7 3/4	8	3/4	1/8	8	7.975	7.750	0.760	7 3/4	7.773	8.000	0.760
**	7 3/4	8	7/8	1/8	8	7.975	7.750	0.885	7 3/4	7.773	8.000	0.885
**	7 3/4	8	1	1/8	8	7.975	7.750	1.010	7 3/4	7.773	8.000	1.010
**	7 7/8	8 1/8	1/2	1/8	8 1/8	8.100	7.875	0.510	7 7/8	7.898	8.125	0.510
**	7 7/8	8 1/8	3/4	1/8	8 1/8	8.100	7.875	0.760	7 7/8	7.898	8.125	0.760
**	8	8 1/4	1/2	1/8	8 1/4	8.225	8.000	0.510	8	8.023	8.250	0.510
**	8	8 1/4	5/8	1/8	8 1/4	8.225	8.000	0.635	8	8.023	8.250	0.635
**	8	8 1/4	3/4	1/8	8 1/4	8.225	8.000	0.760	8	8.023	8.250	0.760
**	8	8 1/4	1	1/8	8 1/4	8.225	8.000	1.010	8	8.023	8.250	1.010
**	8 1/8	8 3/8	3/4	1/8	8 3/8	8.350	8.125	0.760	8 1/8	8.148	8.375	0.760
**	8 1/8	8 3/8	1	1/8	8 3/8	8.350	8.125	1.010	8 1/8	8.148	8.375	1.010
**	8 3/16	8 7/16	5/8	1/8	8 7/16	8.412	8.187	0.635	8 3/16	8.210	8.437	0.635
**	8 3/16	8 7/16	3/4	1/8	8 7/16	8.412	8.187	0.760	8 3/16	8.210	8.437	0.760
**	8 1/4	8 1/2	1/2	1/8	8 1/2	8.475	8.250	0.510	8 1/4	8.273	8.500	0.510
**	8 1/4	8 1/2	5/8	1/8	8 1/2	8.475	8.250	0.635	8 1/4	8.273	8.500	0.635
**	8 1/4	8 1/2	3/4	1/8	8 1/2	8.475	8.250	0.760	8 1/4	8.273	8.500	0.760
**	8 1/4	8 1/2	1	1/8	8 1/2	8.475	8.250	1.010	8 1/4	8.273	8.500	1.010
**	8 3/8	8 5/8	1/2	1/8	8 5/8	8.600	8.375	0.510	8 3/8	8.398	8.625	0.510
**	8 3/8	8 5/8	1	1/8	8 5/8	8.600	8.375	1.010	8 3/8	8.398	8.625	1.010
WR28750625	8 1/2	8 3/4	5/8	1/8	8 3/4	8.725	8.500	0.635	8 1/2	8.523	8.750	0.635
WR29000500	8 3/4	9	1/2	1/8	9	8.975	8.750	0.510	8 3/4	8.773	9.000	0.510
**	8 3/4	9	5/8	1/8	9	8.975	8.750	0.635	8 3/4	8.773	9.000	0.635

**Not currently an APG stock item. Call for availability.



Wear Ring Dimensional Data/Piston & Rod Installation Data (Continued)

Part Number	Wear Ring Dimensions (inches)				Piston Installation Groove Data (inches)				Rod Installation Groove Data (Inches)			
	Inside Diameter	Outside Diameter	Width	Cross Section	Bore Diameter	Piston Diameter + .000 - .005	Groove Diameter + .000 - .005	Groove Length + .010 - .000	Rod Diameter	Throat Diameter + .003 - .000	Groove Diameter + .003 - .000	Groove Length + .010 - .000
					A	B	C	D	A	B	C	D
**	8 3/4	9	3/4	1/8	9	8.975	8.750	0.760	8 3/4	8.773	9.000	0.760
**	8 3/4	9	1	1/8	9	8.975	8.750	1.010	8 3/4	8.773	9.000	1.010
**	8 7/8	9 1/8	3/4	1/8	9 1/8	9.100	8.875	0.760	8 7/8	8.898	9.125	0.760
**	8 7/8	9 1/8	1	1/8	9 1/8	9.100	8.875	1.010	8 7/8	8.898	9.125	1.010
WR29250625	9	9 1/4	5/8	1/8	9 1/4	9.225	9.000	0.635	9	9.023	9.250	0.635
WR29250750	9	9 1/4	3/4	1/8	9 1/4	9.225	9.000	0.760	9	9.023	9.250	0.760
WR29500500	9 1/4	9 1/2	1/2	1/8	9 1/2	9.475	9.250	0.510	9 1/4	9.273	9.500	0.510
WR29500625	9 1/4	9 1/2	5/8	1/8	9 1/2	9.475	9.250	0.635	9 1/4	9.273	9.500	0.635
**	9 1/4	9 1/2	3/4	1/8	9 1/2	9.475	9.250	0.760	9 1/4	9.273	9.500	0.760
**	9 1/4	9 1/2	1	1/8	9 1/2	9.475	9.250	1.010	9 1/4	9.273	9.500	1.010
**	9 1/2	9 3/4	3/8	1/8	9 3/4	9.725	9.500	0.385	9 1/2	9.523	9.750	0.385
**	9 1/2	9 3/4	1/2	1/8	9 3/4	9.725	9.500	0.510	9 1/2	9.523	9.750	0.510
**	9 1/2	9 3/4	5/8	1/8	9 3/4	9.725	9.500	0.635	9 1/2	9.523	9.750	0.635
WR29750750	9 1/2	9 3/4	3/4	1/8	9 3/4	9.725	9.500	0.760	9 1/2	9.523	9.750	0.760
**	9 1/2	9 3/4	1	1/8	9 3/4	9.725	9.500	1.010	9 1/2	9.523	9.750	1.010
**	9 5/8	9 7/8	3/4	1/8	9 7/8	9.850	9.625	0.760	9 5/8	9.648	9.875	0.760
**	9 3/4	10	1/2	1/8	10	9.975	9.750	0.510	9 3/4	9.773	10.000	0.510
**	9 3/4	10	3/4	1/8	10	9.975	9.750	0.760	9 3/4	9.773	10.000	0.760
**	9 3/4	10	1	1/8	10	9.975	9.750	1.010	9 3/4	9.773	10.000	1.010
**	10 1/4	10 1/2	3/4	1/8	10 1/2	10.475	10.250	0.760	10 1/4	10.273	10.500	0.760
**	10 3/4	11	1	1/8	11	10.975	10.750	1.010	10 3/4	10.773	11.000	1.010
**	11 3/4	12	1/2	1/8	12	11.975	11.750	0.510	11 3/4	11.733	12.000	0.510

**Not currently an APG stock item. Call for availability.

8

www.callapg.com

713-675-5271
1-800-888-5223FAX 713-675-2730
FAX 1-800-444-3252


Wear Strips

Wear strips are designed to eliminate scoring in hydraulic and pneumatic applications by preventing metal to metal contact. They are used in reciprocating, rotary, and oscillating motion environments and are composed of PTFE and a fortified 40% Bronze material. They are supplied in continuous rolls that allow the product to be installed economically in both new assemblies and repair operations.



Wear Strips Dimensional Data

Inch Sizes		
Part Number	Width (Inches)	Thickness (Inches)
WRS39 A 0250	1/4	1/8
WRS39 A 0500	1/2	1/8
WRS39 A 0625	5/8	1/8
WRS39 A 0750	3/4	1/8
WRS39 A 1000	1	1/8
WRS39 D 0500	1/2	1/16
WRS39 D 0625	5/8	1/16
WRS39 D 1000	1	1/16
WRS39 F 0375	3/8	3/32
WRS39 F 0500	1/2	3/32

Metric Sizes		
Part Number	Width (mm)	Thickness (mm)
WRS39 - 07.9 - 2.5	7.9	2.5
WRS39 - 09.5 - 2.5	9.5	2.5
WRS39 - 10.0 - 2.0	10.0	2.0
WRS39 - 12.0 - 2.5	12.0	2.5
WRS39 - 12.7 - 2.5	12.7	2.5
WRS39 - 15.0 - 2.0	15.0	2.0
WRS39 - 19.5 - 2.5	19.5	2.5
WRS39 - 20.0 - 2.0	20.0	2.0

For availability of sizes not listed, please inquire.



“America’s most Responsive Warehouse”

Let us show you why!

38



Piston Seals

Two-part seal requiring no lubrication. Piston design is simplified; and sticking, slipping, and breakaway problems are eliminated. Damage associated with cast iron or phenolic piston ring particles is eliminated as well as cylinder wall scoring. Provides bi-directional sealing. Easy installation and removal, and can be cut in the field for easier installation. Interference fit assures positive sealing. Conforms to out-of-round bore conditions. Pressures to 5000 psi. APG provides piston seals with 70 Durometer Nitrile Expanders. Other compounds are available by special order.

Square Piston Seals Style TPS1400

Square profile 15% glass filled PTFE with 70 Durometer Nitrile O-Ring (Expander)



Rectangular Piston Seals Style TPR1800

Rectangular profile 15% glass filled PTFE with 70 Durometer Square Cut Ring (Expander)



Piston Seal Installation Data

1. Clean piston in solvent and dry. Inspect groove and end of piston for nicks or burrs which could damage the expander or piston ring.
2. Lubricate expander with a compatible lubricant for easier installation.
Caution: Be sure expander is not twisted or distorted in groove.
3. Install the piston ring over a 10° included angle mandrel onto the piston body and into the groove in a single motion as quickly as possible. **Do not use pry bars, screwdrivers, knife blades, or any metal object to install piston rings - this will damage piston and seal.**
4. After installation of the piston ring, carefully guide the piston into the chamfered cylinder bore carefully (check bore first for burrs, sharp edges and foreign material). If bore is not chamfered, use a smooth, lubricated and tapered piston ring compressor to facilitate installation.
5. To remove a worn piston ring, carefully cut through the PTFE piston ring and remove. Do not cut into the expander unless it is to be replaced also. **Use care not to damage groove walls and create burrs or sharp edges.**

www.callapg.com

713-675-5271
1-800-888-5223

FAX 713-675-2730
FAX 1-800-444-3252



Square Piston Seal Dimensional Data Style TPS1400

Part Number	Bore Diameter (inches)	Groove Diameter (inches)	Groove Width (inches)	Seal Cross Section (inches)	O-Ring Size (Dash No.)
TPS 1400 - 12	0.750	0.490	0.083	0.070	-013
TPS 1400 - 16	1.000	0.740	0.083	0.070	-017
TPS 1400 - 18	1.125	0.865	0.083	0.070	-019
TPS 1400 - 20	1.250	0.990	0.083	0.070	-022
TPS 1400 - 22	1.375	1.116	0.083	0.070	-023
TPS 1400 - 24	1.500	1.241	0.083	0.070	-025
TPS 1400 - 26	1.625	1.233	0.122	0.109	-123
TPS 1400 - 28	1.750	1.359	0.122	0.109	-125
TPS 1400 - 30	1.875	1.483	0.122	0.109	-127
TPS 1400 - 32	2.000	1.604	0.129	0.115	-129
TPS 1400 - 34	2.125	1.729	0.129	0.115	-131
TPS 1400 - 36	2.250	1.858	0.129	0.115	-133
TPS 1400 - 38	2.375	1.983	0.129	0.115	-135
TPS 1400 - 40	2.500	2.108	0.129	0.115	-137
TPS 1400 - 44	2.750	2.358	0.129	0.115	-141
TPS 1400 - 48	3.000	2.608	0.129	0.115	-145
TPS 1400 - 52	3.250	2.858	0.129	0.115	-149
TPS 1400 - 56	3.500	3.108	0.129	0.115	-151
TPS 1400 - 60	3.750	3.358	0.129	0.115	-152
TPS 1400 - 64	4.000	3.608	0.129	0.115	-153
TPS 1400 - 68	4.250	3.858	0.129	0.115	-154
TPS 1400 - 72	4.500	4.108	0.129	0.115	-155
TPS 1400 - 76	4.750	4.358	0.129	0.115	-156
TPS 1400 - 80	5.000	4.608	0.129	0.115	-157
TPS 1400 - 84	5.250	4.858	0.129	0.115	-158
TPS 1400 - 88	5.500	5.108	0.129	0.115	-159
TPS 1400 - 92	5.750	5.232	0.159	0.143	-251
TPS 1400 - 96	6.000	5.482	0.159	0.143	-253
TPS 1400 - 100	6.250	5.732	0.159	0.143	-255
TPS 1400 - 104	6.500	5.982	0.159	0.143	-257
TPS 1400 - 112	7.000	6.482	0.159	0.143	-259
TPS 1400 - 120	7.500	6.982	0.159	0.143	-261
TPS 1400 - 128	8.000	7.482	0.159	0.143	-263
TPS 1400 - 136	8.500	7.982	0.159	0.143	-265
TPS 1400 - 144	9.000	8.452	0.159	0.143	-267
TPS 1400 - 160	10.000	9.482	0.159	0.143	-271

For availability of sizes not listed, please inquire.

Remember:

**Same or next day
shipment on stock items.**

www.callapg.com

713-675-5271
1-800-888-5223

FAX 713-675-2730
FAX 1-800-444-3252



Rectangular Piston Seal Dimensional Data Style TPR1800

Part Number	Bore Diameter (inches)	Groove Diameter (inches)	Groove Width (inches)	Seal Width (Inches)	Seal Cross Section (inches)	Square Cut Ring Size (Dash No.)
TPR 1800 - 24	1.500	1.192	0.129	0.119	0.070	-123
TPR 1800 - 28	1.750	1.443	0.129	0.119	0.070	-127
TPR 1800 - 32	2.000	1.693	0.129	0.119	0.070	-131
TPR 1800 - 36	2.250	1.943	0.129	0.119	0.070	-135
TPR 1800 - 40	2.500	2.193	0.129	0.119	0.070	-139
TPR 1800 - 44	2.750	2.443	0.129	0.119	0.070	-143
TPR 1800 - 48	3.000	2.443	0.284	0.272	0.090	-333
TPR 1800 - 52	3.250	2.695	0.284	0.272	0.090	-335
TPR 1800 - 56	3.500	2.945	0.284	0.272	0.090	-337
TPR 1800 - 60	3.750	3.195	0.284	0.272	0.090	-339
TPR 1800 - 64	4.000	3.445	0.284	0.272	0.090	-341
TPR 1800 - 68	4.250	3.645	0.284	0.272	0.090	-343
TPR 1800 - 72	4.500	3.945	0.284	0.272	0.090	-345
TPR 1800 - 76	4.750	4.195	0.284	0.272	0.090	-347
TPR 1800 - 80	5.000	4.445	0.284	0.272	0.090	-349
TPR 1800 - 84	5.250	4.488	0.379	0.365	0.142	-425
TPR 1800 - 88	5.500	4.738	0.379	0.365	0.142	-427
TPR 1800 - 92	5.750	4.988	0.379	0.365	0.142	-429
TPR 1800 - 96	6.000	5.238	0.379	0.365	0.142	-431
TPR 1800 - 100	6.250	5.488	0.379	0.365	0.142	-433
TPR 1800 - 104	6.500	5.738	0.379	0.365	0.142	-435
TPR 1800 - 112	7.000	6.238	0.379	0.365	0.142	-438
TPR 1800 - 116	7.250	6.488	0.379	0.365	0.142	-439
TPR 1800 - 120	7.500	6.738	0.379	0.365	0.142	-440
TPR 1800 - 128	8.000	7.238	0.379	0.365	0.142	-442
TPR 1800 - 132	8.250	7.488	0.379	0.365	0.142	-443
TPR 1800 - 136	8.500	7.738	0.379	0.365	0.142	-444
TPR 1800 - 144	9.000	8.122	0.379	0.365	0.202	-445
TPR 1800 - 160	10.000	9.122	0.379	0.365	0.202	-447

For availability of sizes not listed, please inquire.

Save Time!
Fax us your orders.
or quote requests.

Or –
Place your orders
On-Line at www.callapg.com

www.callapg.com

713-675-5271
1-800-888-5223

FAX 713-675-2730
FAX 1-800-444-3252



T-Seals

The T-Seal is compact and provides an excellent option to bulkier types of seals in a double or single acting application. It requires significantly less packing space than Vee Packings, V-Cups, or Piston Cups. The result is a compact, efficient and less costly overall component.

The T-Seal is used in reciprocating hydraulic and pneumatic equipment and in high-pressure applications. It is an excellent direct replacement for other packings (such as those in standard grooves). It fits into the same simple groove as an O-ring and eliminates rolling or spiraling, even under long stroke or dry rod conditions. It does not wedge into clearances or pinch off under motion or pressure and has good low-pressure sealing capabilities.

Because the T-Seal is supplied with a back-up on both sides of the sealing area, it functions very well in double acting applications. The back-ups are split for ease of installation.

Like other similar packings, the T-Seal is compressed to eliminate low-pressure leakage. However, the back-up rings float between the T-Seal's flanges and the rod or bore, minimizing friction and wear. When pressure is applied, a bridge is formed before extrusion can occur.

The T-Seal's back-up utilizes hydraulic pressure to keep it in contact with the rod or cylinder wall. This prevents extrusion from occurring.

The T-Seal resists spiral failure. When piston or rod movement does occur, even under very low pressures, the design allows the back-up rings to lock the sealing element in place.

APG stocks 70 Durometer Nitrile T-Seals with Nylon back-ups. Call for availability of other compounds.

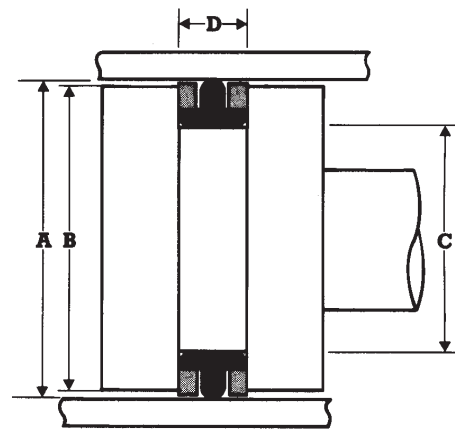
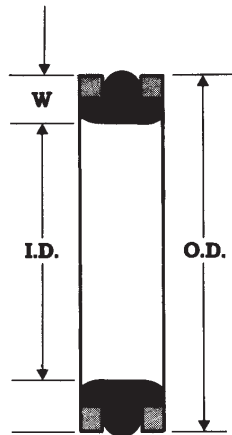


“America’s most Responsive Warehouse”

Let us show you why!



Piston T-Seal Dimensional Data (Inches)



AS 568 O-Ring Dash Number	Part Number	Nominal Dimensions			A		B		C		D	
		O.D.	I.D.	W	Bore Diameter	Tolerance	Piston Diameter	Tolerance	Groove Diameter	Tolerance	Groove Width	Tolerance
-106	TP001H70	.375	.187	.093	.375		.371		.191		.152	
-108	TP002H70	.437	.250	.093	.437		.433		.253		.152	
-109	TP003H70	.500	.312	.093	.500		.496		.316		.152	
-203	TP004H70	.562	.312	.125	.562		.558		.318		.187	
-204	TP005H70	.625	.375	.125	.625		.621		.381		.187	
-205	TP006H70	.687	.437	.125	.687		.683		.443		.187	
-206	TP007H70	.750	.500	.125	.750		.746		.506		.187	
-207	TP008H70	.812	.562	.125	.812		.808		.568		.187	
-208	TP009H70	.875	.625	.125	.875		.871		.631		.187	
-209	TP010H70	.937	.687	.125	.937		.933		.693		.187	
-210	TP011H70	1.000	.750	.125	1.001		.997		.757		.187	
-211	TP012H70	1.062	.812	.125	1.063		1.059		.819		.187	
-212	TP013H70	1.125	.875	.125	1.126		1.122		.882		.187	
-213	TP014H70	1.187	.937	.125	1.188		1.184		.944		.187	
-214	TP015H70	1.250	1.000	.125	1.251		1.247		1.007		.187	
-215	TP016H70	1.312	1.062	.125	1.313	±.001	1.309	±.001	1.069	±.001	.187	+.003
-216	TP017H70	1.375	1.125	.125	1.376		1.372		1.132		.187	-.002
-217	TP018H70	1.437	1.187	.125	1.438		1.434		1.194		.187	
-218	TP019H70	1.500	1.250	.125	1.501		1.497		1.257		.187	
-219	TP020H70	1.562	1.312	.125	1.563		1.559		1.319		.187	
-220	TP021H70	1.625	1.375	.125	1.626		1.622		1.382		.187	
-222	TP022H70	1.750	1.500	.125	1.751		1.747		1.507		.187	
-325	TP023H70	1.875	1.500	.187	1.876		1.872		1.503		.282	
-326	TP024H70	2.000	1.625	.187	2.001		1.997		1.628		.282	
-327	TP025H70	2.125	1.750	.187	2.126		2.122		1.753		.282	
-328	TP026H70	2.250	1.875	.187	2.251		2.247		1.878		.282	
-329	TP027H70	2.375	2.000	.187	2.376		2.372		2.003		.282	
-330	TP028H70	2.500	2.125	.187	2.501		2.497		2.128		.282	
-331	TP029H70	2.625	2.250	.187	2.626		2.620		2.253		.282	

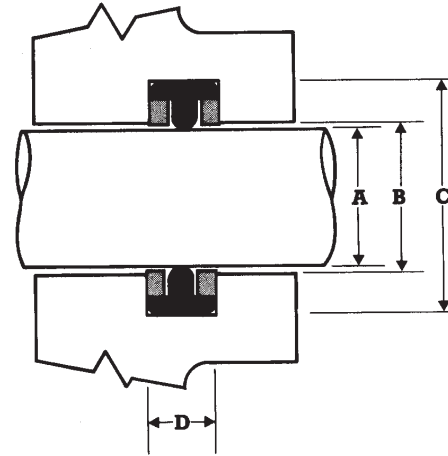
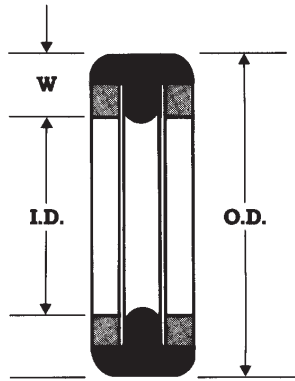


Piston T-Seal Dimensional Data (inches) (Continued)

AS 568 O-Ring Dash Number	Part Number	Nominal Dimensions			A		B		C		D	
		O.D.	I.D.	W	Bore Diameter	Tolerance	Piston Diameter	Tolerance	Groove Diameter	Tolerance	Groove Width	Tolerance
-332	TP030H70	2.750	2.375	.187	2.751		2.745		2.378		.282	
-333	TP031H70	2.875	2.500	.187	2.876		2.870		2.503		.282	
-334	TP032H70	3.000	2.625	.187	3.001		2.995		2.628		.282	
-335	TP033H70	3.125	2.750	.187	3.126		3.120		2.753		.282	
-336	TP034H70	3.250	2.875	.187	3.251		3.245		2.878		.282	
-338	TP035H70	3.500	3.125	.187	3.502		3.496		3.129		.282	
-339	TP036H70	3.625	3.250	.187	3.627		3.621		3.254		.282	
-340	TP037H70	3.750	3.375	.187	3.752		3.746		3.379		.282	
-341	TP038H70	3.875	3.500	.187	3.877		3.871		3.504		.282	
-342	TP039H70	4.000	3.625	.187	4.002		3.996		3.629		.282	
-343	TP040H70	4.125	3.750	.187	4.127		4.121		3.754		.282	
-344	TP041H70	4.250	3.875	.187	4.252		4.246		3.879		.282	
-345	TP042H70	4.375	4.000	.187	4.377		4.371		4.004		.282	
-346	TP043H70	4.500	4.125	.187	4.502		4.496		4.129		.282	
-347	TP044H70	4.625	4.250	.187	4.627	±.002	4.621	±.002	4.254	±.002	.282	
-348	TP045H70	4.750	4.375	.187	4.752		4.746		4.379		.282	
-349	TP046H70	4.875	4.500	.187	4.877		4.871		4.504		.282	
-350	TP047H70	5.000	4.625	.187	5.003		4.997		4.630		.282	
-426	TP048H70	5.125	4.625	.250	5.128		5.122		4.650		.368	
-427	TP049H70	5.250	4.750	.250	5.253		5.247		4.775		.368	
-428	TP050H70	5.375	4.875	.250	5.378		5.372		4.890		.368	
-429	TP051H70	5.500	5.000	.250	5.503		5.497		5.025		.368	+ .003
-430	TP052H70	5.625	5.125	.250	5.628		5.622		5.150		.368	- .002
-431	TP053H70	5.750	5.250	.250	5.753		5.747		5.275		.368	
-432	TP054H70	5.875	5.375	.250	5.878		5.874		5.400		.368	
-433	TP055H70	6.000	5.500	.250	6.003		5.997		5.525		.368	
-434	TP056H70	6.125	5.625	.250	6.128		6.122		5.650		.368	
-435	TP057H70	6.250	5.750	.250	6.253		6.247		5.775		.368	
-437	TP058H70	6.500	6.000	.250	6.503		6.495		6.025		.368	
-438	TP059H70	6.750	6.250	.250	6.753		6.745		6.275		.368	
-439	TP060H70	7.000	6.500	.250	7.003		6.995		6.525		.368	
-440	TP061H70	7.250	6.750	.250	7.253		7.245		6.775		.368	
-441	TP062H70	7.500	7.000	.250	7.503		7.495		7.025		.368	
-442	TP063H70	7.750	7.250	.250	7.753		7.745		7.275		.368	
-443	TP064H70	8.000	7.500	.250	8.003		7.995		7.525		.368	
-444	TP065H70	8.250	7.750	.250	8.253		8.245		7.775		.368	
-445	TP066H70	8.500	8.000	.250	8.503	±.003	8.495	±.003	8.025	±.003	.368	
-446	TP067H70	9.000	8.500	.250	9.003		8.995		8.525		.368	
-447	TP068H70	9.500	9.000	.250	9.503		9.495		9.025		.368	
-448	TP069H70	10.000	9.500	.250	10.003		9.995		9.525		.368	
-449	TP070H70	10.500	10.000	.250	10.503		10.495		10.025		.368	
-450	TP071H70	11.000	10.500	.250	11.003		10.995		10.525		.368	
-451	TP072H70	11.500	11.000	.250	11.503		11.495		11.025		.368	
-452	TP073H70	12.000	11.500	.250	12.003		11.995		11.525		.368	



Rod T-Seal Dimensional Data (Inches)



AS 568 O-Ring Dash Number	Part Number	Nominal Dimensions			A		B		C		D	
		I.D.	O.D.	W	Rod Diameter	Tolerance	Bore Diameter	Tolerance	Groove Diameter	Tolerance	Groove Width	Tolerance
-106	TR001H70	.187	.375	.093	.186		.189		.369		.152	
-108	TR002H70	.250	.437	.093	.248		.251		.432		.152	
-109	TR003H70	.312	.500	.093	.310		.313		.494		.152	
-204	TR004H70	.375	.625	.125	.373		.376		.617		.187	
-205	TR005H70	.437	.687	.125	.435		.438		.679		.187	
-206	TR006H70	.500	.750	.125	.498		.501		.742		.187	
-207	TR007H70	.562	.812	.125	.560		.563		.804		.187	
-208	TR008H70	.625	.875	.125	.623		.626		.867		.187	
-209	TR009H70	.687	.937	.125	.685		.688		.929		.187	
-210	TR010H70	.750	1.000	.125	.747		.750		.991		.187	
-211	TR011H70	.812	1.062	.125	.809		.812		1.053		.187	
-212	TR012H70	.875	1.125	.125	.872		.875		1.116		.187	
-213	TR013H70	.937	1.187	.125	.934		.937		1.178		.187	
-214	TR014H70	1.000	1.250	.125	.997	±.001	1.000	±.001	1.241	±.001	.187	±.002
-215	TR015H70	1.062	1.312	.125	1.059		1.062		1.303		.187	
-216	TR016H70	1.125	1.375	.125	1.122		1.125		1.366		.187	
-217	TR017H70	1.187	1.437	.125	1.184		1.187		1.428		.187	
-218	TR018H70	1.250	1.500	.125	1.247		1.250		1.491		.187	
-219	TR019H70	1.312	1.562	.125	1.309		1.312		1.553		.187	
-220	TR020H70	1.375	1.625	.125	1.372		1.375		1.616		.187	
-221	TR021H70	1.437	1.687	.125	1.434		1.437		1.678		.187	
-222	TR022H70	1.500	1.750	.125	1.497		1.500		1.741		.187	
-325	TR023H70	1.500	1.875	.187	1.497		1.500		1.870		.282	
-326	TR024H70	1.625	2.000	.187	1.622		1.625		1.995		.282	
-327	TR025H70	1.750	2.125	.187	1.747		1.750		2.120		.282	
-328	TR026H70	1.875	2.250	.187	1.872		1.875		2.245		.282	
-329	TR027H70	2.000	2.375	.187	1.997		2.000		2.370		.282	
-330	TR028H70	2.125	2.500	.187	2.122		2.125		2.495		.282	
-331	TR029H70	2.250	2.625	.187	2.247		2.250		2.612		.282	



Rod T-Seal Dimensional Data (Inches) (Continued)

AS 568 O-Ring Dash Number	Part Number	Nominal Dimensions			A		B		C		D	
		I.D.	O.D.	W	Rod Diameter	Tolerance	Bore Diameter	Tolerance	Groove Diameter	Tolerance	Groove Width	Tolerance
-332	TR030H70	2.375	2.750	.187	2.372		2.377		2.745		.282	
-333	TR031H70	2.500	2.875	.187	2.497		2.502		2.870		.282	
-334	TR032H70	2.625	3.000	.187	2.622		2.627		2.995		.282	
-335	TR033H70	2.750	3.125	.187	2.747		2.752		3.120		.282	
-336	TR034H70	2.875	3.250	.187	2.872		2.877		3.245		.282	
-337	TR035H70	3.000	3.375	.187	2.996		3.001		3.369		.282	
-338	TR036H70	3.125	3.500	.187	3.121		3.126		3.494		.282	
-339	TR037H70	3.250	3.625	.187	3.246		3.251		3.619		.282	
-340	TR038H70	3.375	3.750	.187	3.371		3.376		3.744		.282	
-341	TR039H70	3.500	3.875	.187	3.496	±.002	3.501	±.002	3.869	±.002	.282	
-342	TR040H70	3.625	4.000	.187	3.621		3.626		3.994		.282	
-343	TR041H70	3.750	4.125	.187	3.746		3.751		4.119		.282	
-344	TR042H70	3.875	4.250	.187	3.871		3.876		4.244		.282	
-345	TR043H70	4.000	4.375	.187	3.996		4.001		4.369		.282	
-346	TR044H70	4.125	4.500	.187	4.121		4.126		4.494		.282	
-347	TR045H70	4.250	4.625	.187	4.246		4.251		4.619		.282	
-348	TR046H70	4.375	4.750	.187	4.371		4.376		4.744		.282	
-349	TR047H70	4.500	4.875	.187	4.496		4.501		4.869		.282	
-429	TR048H70	5.000	5.500	.250	4.996		5.001		5.474		.368	±.002
-431	TR049H70	5.250	5.750	.250	5.246		5.251		5.724		.368	
-433	TR050H70	5.500	6.000	.250	5.496		5.501		5.974		.368	
-434	TR051H70	5.625	6.125	.250	5.621		5.626		6.099		.368	
-437	TR052H70	6.000	6.500	.250	5.996		6.003		6.474		.368	
-438	TR053H70	6.250	6.750	.250	6.246		6.253		6.724		.368	
-439	TR054H70	6.500	7.000	.250	6.496		6.503		6.974		.368	
-440	TR055H70	6.750	7.250	.250	6.746		6.753		7.224		.368	
-441	TR056H70	7.000	7.500	.250	6.996	±.003	7.003	±.003	7.474	±.003	.368	
-442	TR057H70	7.250	7.750	.250	7.246		7.253		7.724		.368	
-443	TR058H70	7.500	8.000	.250	7.500		7.503		7.983		.368	
-445	TR059H70	8.000	8.500	.250	7.996		8.003		8.474		.368	
-447	TR060H70	9.000	9.500	.250	8.996		9.003		9.474		.368	
-448	TR061H70	9.500	10.000	.250	9.496		9.503		9.974		.368	
-449	TR062H70	10.000	10.500	.250	9.996		10.003		10.474		.368	
-451	TR063H70	11.000	11.500	.250	10.996		11.003		11.474		.368	



Vee Packings

APG Vee Packings are multiple-lip (chevron) seals comprised of a group of endless rings and are popular for sealing rods and pistons. They can be used for low or high pressure applications and with single or double acting cylinders.

APG presently stocks Female and Male Adapters (top and bottom) in fabric reinforced Nitrile and Nylon. V-Rings (center rings) are stocked in fabric reinforced Nitrile and in homogeneous 90 Durometer Nitrile. (Call for availability of other compounds) In general, fabric Vees are for high pressure, and homogeneous Vees are for low pressure. The selection of fabric or homogeneous compounds should be made on the basis of operating pressure, temperature, and the type of gaseous or fluid medium with which the packing must function.



Female Adapter (Top)



V-Ring (Center Ring)



Male Adapter (Bottom)

Installation Data

Properly installed Vee Packings will generally outperform other lip-type seals. They are always installed in sets. Each set contains a number of V-Rings (based upon the pressure) plus male and female adapters.

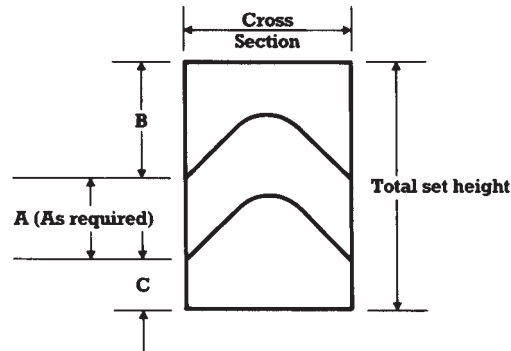
The V-Rings in each set are referred to as pressure rings. Refer to the table below to determine the number of V-Rings per set based on solid rings. This table applies to the majority of installations. There will be exceptions, depending upon special operating conditions, where the table guidelines do not apply.

Recommended Number of V-Rings per Set (Based on Solid Rings)	
Pressure (PSI)	Fabric Reinforced Nitrile
Zero to 500	3
500 to 1500	4
1500 to 3000	4
3000 to 5000	5
5000 to 10,000	6
10,000 and over	—

Standard Vee Packings use a 90° included angle (commonly referred to as 45°) measured on one side only.



Standard Vee Packing Stack Height (Includes Indicated Number of V-Rings and Male and Female Adapters)



Number of V-Rings	Cross Section (Inches)										
	5/32	3/16	1/4	5/16	3/8	7/16	1/2	5/8	3/4	7/8	1
2	7/16 .437	9/16 .562	5/8 .625	11/16 .687	13/16 .812	15/16 .937	1 1/8 1.125	1 3/8 1.375	1 5/8 1.625	1 7/8 1.875	2 1/8 2.125
3	17/32 .531	11/16 .687	3/4 .750	27/32 .843	1.000	1 5/32 1.156	1 3/8 1.375	1 11/16 1.687	2.000	2 5/16 2.312	2 5/8 2.625
4	5/8 .625	13/16 .812	7/8 .875	1.000	1 3/16 1.187	1 3/8 1.375	1 5/8 1.625	2.000	2 3/8 2.375	2 3/4 2.750	3 1/8 3.125
5	23/32 .718	15/16 .937	1.000	1 5/32 1.156	1 3/8 1.375	1 19/32 1.593	1 7/8 1.875	2 5/16 2.312	2 3/4 2.750	3 3/16 3.187	3 5/8 3.625
6	13/16 .812	1 1/16 1.062	1 1/8 1.125	1 5/16 1.312	1 9/16 1.562	1 13/16 1.812	2 1/8 2.125	2 5/8 2.625	3 1/8 3.125	3 5/8 3.625	4 1/8 4.125
7	29/32 .906	1 3/16 1.187	1 1/4 1.250	1 15/32 1.468	1 3/4 1.750	2 1/32 2.032	2 3/8 2.375	2 15/16 2.937	3 1/2 3.500	4 1/16 4.062	4 5/8 4.625
Use chart below for calculating stack heights not indicated above											
M & F (B + C)	1/4 .250	5/16 .312	3/8 .375	3/8 .375	7/16 .437	1/2 .500	5/8 .625	3/4 .750	7/8 .875	1.000	1 1/8 1.125
V-Ring (A)	3/32 .093	1/8 .125	1/8 .125	5/32 .156	3/16 .187	7/32 .218	1/4 .250	5/16 .312	3/8 .375	7/16 .437	1/2 .500
Female (B)	3/16 .187	1/4 .250	1/4 .250	1/4 .250	5/16 .312	3/8 .375	1/2 .500	5/8 .625	3/4 .750	7/8 .875	1.000
Male (C)	1/16 .062	1/16 .062	1/8 .125	1/8 .125	1/8 .125	1/8 .125	1/8 .125	1/8 .125	1/8 .125	1/8 .125	1/8 .125



Vee Packing Dimensional Data

Vee Packing Part Numbers ending in:

VF = V-Ring (Fabric Reinforced Nitrile)

FF = Female Adapter (Fabric Reinforced Nitrile)

MF = Male Adapter (Fabric Reinforced Nitrile)

VH = V-Ring (Homogeneous 90 Durometer Nitrile)

FN = Female Adapter (Nylon)

MN = Male Adapter (Nylon)

Part Number	Inside Diameter (inches)	Outside Diameter (inches)	Cross Section (inches)
VR 0250 X 0625 FF	1/4	5/8	3/16
VR 0250 X 0625 MF	1/4	5/8	3/16
VR 0250 X 0625 VF	1/4	5/8	3/16
VR 0250 X 0750 FF	1/4	3/4	1/4
VR 0250 X 0750 MF	1/4	3/4	1/4
VR 0250 X 0750 VF	1/4	3/4	1/4
VR 0250 X 0875 FF	1/4	7/8	5/16
VR 0250 X 0875 MF	1/4	7/8	5/16
VR 0250 X 0875 VF	1/4	7/8	5/16
VR 0375 X 0750 FF	3/8	3/4	3/16
VR 0375 X 0750 MF	3/8	3/4	3/16
VR 0375 X 0750 VF	3/8	3/4	3/16
VR 0375 X 0875 FF	3/8	7/8	1/4
VR 0375 X 0875 MF	3/8	7/8	1/4
VR 0375 X 0875 VF	3/8	7/8	1/4
VR 0375 X 1000 FF	3/8	1	5/16
VR 0375 X 1000 MF	3/8	1	5/16
VR 0375 X 1000 VF	3/8	1	5/16
VR 0500 X 0875 FF	1/2	7/8	3/16
VR 0500 X 0875 MF	1/2	7/8	3/16
VR 0500 X 0875 VF	1/2	7/8	3/16
VR 0500 X 1000 FF	1/2	1	1/4
VR 0500 X 1000 MF	1/2	1	1/4
VR 0500 X 1000 VF	1/2	1	1/4
VR 0500 X 1000 VH	1/2	1	1/4
VR 0500 X 1125 FF	1/2	1 1/8	5/16
VR 0500 X 1125 MF	1/2	1 1/8	5/16
VR 0500 X 1125 VF	1/2	1 1/8	5/16
VR 0625 X 1000 FF	5/8	1	3/16
VR 0625 X 1000 MF	5/8	1	3/16
VR 0625 X 1000 VF	5/8	1	3/16
VR 0625 X 1125 FF	5/8	1 1/8	1/4
VR 0625 X 1125 MF	5/8	1 1/8	1/4
VR 0625 X 1125 VF	5/8	1 1/8	1/4
VR 0625 X 1125 VH	5/8	1 1/8	1/4
VR 0625 X 1250 FF	5/8	1 1/4	5/16
VR 0625 X 1250 MF	5/8	1 1/4	5/16
VR 0625 X 1250 VF	5/8	1 1/4	5/16
VR 0750 X 1125 FF	3/4	1 1/8	3/16
VR 0750 X 1125 MF	3/4	1 1/8	3/16
VR 0750 X 1125 VF	3/4	1 1/8	3/16
VR 0750 X 1250 FF	3/4	1 1/4	1/4
VR 0750 X 1250 MF	3/4	1 1/4	1/4
VR 0750 X 1250 VF	3/4	1 1/4	1/4
VR 0750 X 1250 VH	3/4	1 1/4	1/4
VR 0750 X 1375 FF	3/4	1 3/8	5/16
VR 0750 X 1375 MF	3/4	1 3/8	5/16
VR 0750 X 1375 VF	3/4	1 3/8	5/16
VR 0750 X 1500 FF	3/4	1 1/2	3/8
VR 0750 X 1500 MF	3/4	1 1/2	3/8

Part Number	Inside Diameter (inches)	Outside Diameter (inches)	Cross Section (inches)
VR 0750 X 1500 VF	3/4	1 1/2	3/8
VR 0812 X 1312 FF	13/16	1 5/16	1/4
VR 0812 X 1312 MF	13/16	1 5/16	1/4
VR 0812 X 1312 VF	13/16	1 5/16	1/4
VR 0812 X 1312 VH	13/16	1 5/16	1/4
VR 0875 X 1375 FF	7/8	1 3/8	1/4
VR 0875 X 1375 MF	7/8	1 3/8	1/4
VR 0875 X 1375 VF	7/8	1 3/8	1/4
VR 0875 X 1375 VH	7/8	1 3/8	1/4
VR 0875 X 1500 FF	7/8	1 1/2	5/16
VR 0875 X 1500 MF	7/8	1 1/2	5/16
VR 0875 X 1500 VF	7/8	1 1/2	5/16
VR 0875 X 1500 VH	7/8	1 1/2	5/16
VR 0875 X 1625 VF	7/8	1 5/8	3/8
VR 1000 X 1375 FF	1	1 3/8	3/16
VR 1000 X 1375 MF	1	1 3/8	3/16
VR 1000 X 1375 VF	1	1 3/8	3/16
VR 1000 X 1375 VH	1	1 3/8	3/16
VR 1000 X 1500 FF	1	1 1/2	1/4
VR 1000 X 1500 MF	1	1 1/2	1/4
VR 1000 X 1500 VF	1	1 1/2	1/4
VR 1000 X 1500 VH	1	1 1/2	1/4
VR 1000 X 1625 FF	1	1 5/8	5/16
VR 1000 X 1625 MF	1	1 5/8	5/16
VR 1000 X 1625 VF	1	1 5/8	5/16
VR 1000 X 1625 VH	1	1 5/8	5/16
VR 1000 X 1750 FF	1	1 3/4	3/8
VR 1000 X 1750 MF	1	1 3/4	3/8
VR 1000 X 1750 VF	1	1 3/4	3/8
VR 1125 X 1625 FF	1 1/8	1 5/8	1/4
VR 1125 X 1625 MF	1 1/8	1 5/8	1/4
VR 1125 X 1625 VF	1 1/8	1 5/8	1/4
VR 1125 X 1750 FF	1 1/8	1 3/4	5/16
VR 1125 X 1750 MF	1 1/8	1 3/4	5/16
VR 1125 X 1750 VF	1 1/8	1 3/4	5/16
VR 1125 X 1750 VH	1 1/8	1 3/4	5/16
VR 1125 X 1875 FF	1 1/8	1 7/8	3/8
VR 1125 X 1875 MF	1 1/8	1 7/8	3/8
VR 1125 X 1875 VF	1 1/8	1 7/8	3/8
VR 1250 X 1750 FF	1 1/4	1 3/4	1/4
VR 1250 X 1750 FN	1 1/4	1 3/4	1/4
VR 1250 X 1750 MF	1 1/4	1 3/4	1/4
VR 1250 X 1750 VF	1 1/4	1 3/4	1/4
VR 1250 X 1750 VH	1 1/4	1 3/4	1/4
VR 1250 X 2000 FF	1 1/4	2	3/8
VR 1250 X 2000 MF	1 1/4	2	3/8
VR 1250 X 2000 VF	1 1/4	2	3/8
VR 1250 X 2000 VH	1 1/4	2	3/8
VR 1375 X 1875 FF	1 3/8	1 7/8	1/4
VR 1375 X 1875 MF	1 3/8	1 7/8	1/4

For availability of sizes not listed, please inquire.



Vee Packing Dimensional Data (Continued)

Part Number	Inside Diameter (inches)	Outside Diameter (inches)	Cross Section (inches)
VR 1375 X 1875 VF	1 3/8	1 7/8	1/4
VR 1375 X 2000 FF	1 3/8	2	5/16
VR 1375 X 2000 MF	1 3/8	2	5/16
VR 1375 X 2000 VF	1 3/8	2	5/16
VR 1375 X 2000 VH	1 3/8	2	5/16
VR 1375 X 2125 VF	1 3/8	2 1/8	3/8
VR 1437 X 1937 VF	1 7/16	1 15/16	1/4
VR 1500 X 1875 VF	1 1/2	1 7/8	3/16
VR 1500 X 2000 FF	1 1/2	2	1/4
VR 1500 X 2000 MF	1 1/2	2	1/4
VR 1500 X 2000 VF	1 1/2	2	1/4
VR 1500 X 2000 VH	1 1/2	2	1/4
VR 1500 X 2125 FF	1 1/2	2 1/8	5/16
VR 1500 X 2125 VF	1 1/2	2 1/8	5/16
VR 1500 X 2125 VH	1 1/2	2 1/8	5/16
VR 1500 X 2250 FF	1 1/2	2 1/4	3/8
VR 1500 X 2250 MF	1 1/2	2 1/4	3/8
VR 1500 X 2250 VF	1 1/2	2 1/4	3/8
VR 1625 X 2000 VF	1 5/8	2	3/16
VR 1625 X 2125 FF	1 5/8	2 1/8	1/4
VR 1625 X 2125 MF	1 5/8	2 1/8	1/4
VR 1625 X 2125 VF	1 5/8	2 1/8	1/4
VR 1625 X 2250 FF	1 5/8	2 1/4	5/16
VR 1625 X 2250 MF	1 5/8	2 1/4	5/16
VR 1625 X 2250 VF	1 5/8	2 1/4	5/16
VR 1625 X 2250 VH	1 5/8	2 1/4	5/16
VR 1625 X 2375 FF	1 5/8	2 3/8	3/8
VR 1625 X 2375 MF	1 5/8	2 3/8	3/8
VR 1625 X 2375 VF	1 5/8	2 3/8	3/8
VR 1625 X 2375 VH	1 5/8	2 3/8	3/8
VR 1750 X 2250 FF	1 3/4	2 1/4	1/4
VR 1750 X 2250 MF	1 3/4	2 1/4	1/4
VR 1750 X 2250 VF	1 3/4	2 1/4	1/4
VR 1750 X 2250 VH	1 3/4	2 1/4	1/4
VR 1750 X 2375 FF	1 3/4	2 3/8	5/16
VR 1750 X 2375 MF	1 3/4	2 3/8	5/16
VR 1750 X 2375 VF	1 3/4	2 3/8	5/16
VR 1750 X 2500 FF	1 3/4	2 1/2	3/8
VR 1750 X 2500 MF	1 3/4	2 1/2	3/8
VR 1750 X 2500 VF	1 3/4	2 1/2	3/8
VR 1750 X 2750 FF	1 3/4	2 3/4	1/2
VR 1750 X 2750 MF	1 3/4	2 3/4	1/2
VR 1750 X 2750 VF	1 3/4	2 3/4	1/2
VR 1875 X 2500 FF	1 7/8	2 1/2	5/16
VR 1875 X 2500 MF	1 7/8	2 1/2	5/16
VR 1875 X 2500 VF	1 7/8	2 1/2	5/16
VR 1875 X 2500 VH	1 7/8	2 1/2	5/16
VR 1875 X 2625 FF	1 7/8	2 5/8	3/8
VR 1875 X 2625 MF	1 7/8	2 5/8	3/8
VR 1875 X 2625 VF	1 7/8	2 5/8	3/8
VR 2000 X 2500 FF	2	2 1/2	1/4
VR 2000 X 2500 MF	2	2 1/2	1/4
VR 2000 X 2500 VF	2	2 1/2	1/4
VR 2000 X 2500 VH	2	2 1/2	1/4
VR 2000 X 2625 FF	2	2 5/8	5/16
VR 2000 X 2625 MF	2	2 5/8	5/16
VR 2000 X 2625 VF	2	2 5/8	5/16
VR 2000 X 2625 VH	2	2 5/8	5/16
VR 2000 X 2750 FF	2	2 3/4	3/8
VR 2000 X 2750 FN	2	2 3/4	3/8

Part Number	Inside Diameter (inches)	Outside Diameter (inches)	Cross Section (inches)
VR 2000 X 2750 MF	2	2 3/4	3/8
VR 2000 X 2750 VF	2	2 3/4	3/8
VR 2000 X 3000 FF	2	3	1/2
VR 2000 X 3000 MF	2	3	1/2
VR 2000 X 3000 VF	2	3	1/2
VR 2125 X 2750 FF	2 1/8	2 3/4	5/16
VR 2125 X 2750 MF	2 1/8	2 3/4	5/16
VR 2125 X 2750 VF	2 1/8	2 3/4	5/16
VR 2125 X 2875 FF	2 1/8	2 7/8	3/8
VR 2125 X 2875 MF	2 1/8	2 7/8	3/8
VR 2125 X 2875 VF	2 1/8	2 7/8	3/8
VR 2250 X 2750 FF	2 1/4	2 3/4	1/4
VR 2250 X 2750 MF	2 1/4	2 3/4	1/4
VR 2250 X 2750 VF	2 1/4	2 3/4	1/4
VR 2250 X 2750 VH	2 1/4	2 3/4	1/4
VR 2250 X 2875 FF	2 1/4	2 7/8	5/16
VR 2250 X 2875 MF	2 1/4	2 7/8	5/16
VR 2250 X 2875 VF	2 1/4	2 7/8	5/16
VR 2250 X 3000 FF	2 1/4	3	3/8
VR 2250 X 3000 MF	2 1/4	3	3/8
VR 2250 X 3000 VF	2 1/4	3	3/8
VR 2250 X 3000 VH	2 1/4	3	3/8
VR 2250 X 3250 FF	2 1/4	3 1/4	1/2
VR 2250 X 3250 MF	2 1/4	3 1/4	1/2
VR 2250 X 3250 VF	2 1/4	3 1/4	1/2
VR 2375 X 3000 FF	2 3/8	3	5/16
VR 2375 X 3000 MF	2 3/8	3	5/16
VR 2375 X 3000 VF	2 3/8	3	5/16
VR 2375 X 3125 FF	2 3/8	3 1/8	3/8
VR 2375 X 3125 MF	2 3/8	3 1/8	3/8
VR 2375 X 3125 VF	2 3/8	3 1/8	3/8
VR 2500 X 3000 FF	2 1/2	3	1/4
VR 2500 X 3000 MF	2 1/2	3	1/4
VR 2500 X 3000 VF	2 1/2	3	1/4
VR 2500 X 3000 VH	2 1/2	3	1/4
VR 2500 X 3125 FF	2 1/2	3 1/8	5/16
VR 2500 X 3125 MF	2 1/2	3 1/8	5/16
VR 2500 X 3125 VF	2 1/2	3 1/8	5/16
VR 2500 X 3250 FF	2 1/2	3 1/4	3/8
VR 2500 X 3250 MF	2 1/2	3 1/4	3/8
VR 2500 X 3250 VF	2 1/2	3 1/4	3/8
VR 2500 X 3500 FF	2 1/2	3 1/2	1/2
VR 2500 X 3500 MF	2 1/2	3 1/2	1/2
VR 2500 X 3500 VF	2 1/2	3 1/2	1/2
VR 2750 X 3250 FF	2 3/4	3 1/4	1/4
VR 2750 X 3250 MF	2 3/4	3 1/4	1/4
VR 2750 X 3250 VF	2 3/4	3 1/4	1/4
VR 2750 X 3250 VH	2 3/4	3 1/4	1/4
VR 2750 X 3375 FF	2 3/4	3 3/8	5/16
VR 2750 X 3375 MF	2 3/4	3 3/8	5/16
VR 2750 X 3375 VF	2 3/4	3 3/8	5/16
VR 2750 X 3500 FF	2 3/4	3 1/2	3/8
VR 2750 X 3500 MF	2 3/4	3 1/2	3/8
VR 2750 X 3500 VF	2 3/4	3 1/2	3/8
VR 2750 X 3750 FF	2 3/4	3 3/4	1/2
VR 2750 X 3750 MF	2 3/4	3 3/4	1/2
VR 2750 X 3750 VF	2 3/4	3 3/4	1/2
VR 2875 X 3500 FF	2 7/8	3 1/2	5/16
VR 2875 X 3500 MF	2 7/8	3 1/2	5/16
VR 2875 X 3500 VF	2 7/8	3 1/2	5/16

For availability of sizes not listed, please inquire.



Vee Packing Dimensional Data (Continued)

Part Number	Inside Diameter (inches)	Outside Diameter (inches)	Cross Section (inches)
VR 3000 X 3500 FF	3	3 1/2	1/4
VR 3000 X 3500 MF	3	3 1/2	1/4
VR 3000 X 3500 VF	3	3 1/2	1/4
VR 3000 X 3500 VH	3	3 1/2	1/4
VR 3000 X 3625 MF	3	3 5/8	5/16
VR 3000 X 3625 VF	3	3 5/8	5/16
VR 3000 X 3750 FF	3	3 3/4	3/8
VR 3000 X 3750 MF	3	3 3/4	3/8
VR 3000 X 3750 VF	3	3 3/4	3/8
VR 3000 X 3875 VF	3	3 7/8	7/16
VR 3000 X 4000 FF	3	4	1/2
VR 3000 X 4000 MF	3	4	1/2
VR 3000 X 4000 VF	3	4	1/2
VR 3125 X 3500 FF	3 1/8	3 1/2	3/16
VR 3125 X 3500 MF	3 1/8	3 1/2	3/16
VR 3125 X 3500 VF	3 1/8	3 1/2	3/16
VR 3125 X 3750 FF	3 1/8	3 3/4	5/16
VR 3125 X 3750 MF	3 1/8	3 3/4	5/16
VR 3125 X 3750 VF	3 1/8	3 3/4	5/16
VR 3125 X 3875 VF	3 1/8	3 7/8	3/8
VR 3250 X 3625 VF	3 1/4	3 5/8	3/16
VR 3250 X 3750 FF	3 1/4	3 3/4	1/4
VR 3250 X 3750 MF	3 1/4	3 3/4	1/4
VR 3250 X 3750 VF	3 1/4	3 3/4	1/4
VR 3250 X 4000 FF	3 1/4	4	3/8
VR 3250 X 4000 MF	3 1/4	4	3/8
VR 3250 X 4000 VF	3 1/4	4	3/8
VR 3500 X 4000 FF	3 1/2	4	1/4
VR 3500 X 4000 MF	3 1/2	4	1/4
VR 3500 X 4000 VF	3 1/2	4	1/4
VR 3500 X 4000 VH	3 1/2	4	1/4
VR 3500 X 4125 FF	3 1/2	4 1/8	5/16
VR 3500 X 4125 MF	3 1/2	4 1/8	5/16
VR 3500 X 4125 VF	3 1/2	4 1/8	5/16
VR 3500 X 4250 FF	3 1/2	4 1/4	3/8
VR 3500 X 4250 MF	3 1/2	4 1/4	3/8
VR 3500 X 4250 VF	3 1/2	4 1/4	3/8
VR 3500 X 4500 FF	3 1/2	4 1/2	1/2
VR 3500 X 4500 MF	3 1/2	4 1/2	1/2
VR 3500 X 4500 VF	3 1/2	4 1/2	1/2
VR 3750 X 4250 VF	3 3/4	4 1/4	1/4
VR 3750 X 4500 VF	3 3/4	4 1/2	3/8
VR 3875 X 4375 FF	3 7/8	4 3/8	1/4
VR 3875 X 4375 MF	3 7/8	4 3/8	1/4
VR 3875 X 4375 VF	3 7/8	4 3/8	1/4
VR 3875 X 4500 VF	3 7/8	4 1/2	5/16
VR 4000 X 4500 FF	4	4 1/2	1/4
VR 4000 X 4500 MF	4	4 1/2	1/4
VR 4000 X 4500 VF	4	4 1/2	1/4
VR 4000 X 4500 VH	4	4 1/2	1/4
VR 4000 X 4750 FF	4	4 3/4	3/8
VR 4000 X 4750 MF	4	4 3/4	3/8
VR 4000 X 4750 VF	4	4 3/4	3/8
VR 4000 X 4875 FF	4	4 7/8	7/16
VR 4000 X 4875 MF	4	4 7/8	7/16
VR 4000 X 4875 VF	4	4 7/8	7/16
VR 4000 X 5000 FF	4	5	1/2
VR 4000 X 5000 MF	4	5	1/2
VR 4000 X 5000 VF	4	5	1/2
VR 4250 X 5000 FF	4 1/4	5	3/8

Part Number	Inside Diameter (inches)	Outside Diameter (inches)	Cross Section (inches)
VR 4250 X 5000 MF	4 1/4	5	3/8
VR 4250 X 5000 VF	4 1/4	5	3/8
VR 4250 X 5250 FF	4 1/4	5 1/4	1/2
VR 4250 X 5250 MF	4 1/4	5 1/4	1/2
VR 4250 X 5250 VF	4 1/4	5 1/4	1/2
VR 4500 X 5000 FF	4 1/2	5	1/4
VR 4500 X 5000 MF	4 1/2	5	1/4
VR 4500 X 5000 VF	4 1/2	5	1/4
VR 4500 X 5000 VH	4 1/2	5	1/4
VR 4500 X 5375 FF	4 1/2	5 3/8	7/16
VR 4500 X 5375 MF	4 1/2	5 3/8	7/16
VR 4500 X 5375 VF	4 1/2	5 3/8	7/16
VR 4750 X 5750 FF	4 3/4	5 3/4	1/2
VR 4750 X 5750 MF	4 3/4	5 3/4	1/2
VR 4750 X 5750 VF	4 3/4	5 3/4	1/2
VR 5000 X 5500 FF	5	5 1/2	1/4
VR 5000 X 5500 MF	5	5 1/2	1/4
VR 5000 X 5500 VF	5	5 1/2	1/4
VR 5000 X 5500 VH	5	5 1/2	1/4
VR 5000 X 5750 FF	5	5 3/4	3/8
VR 5000 X 5750 MF	5	5 3/4	3/8
VR 5000 X 5750 VF	5	5 3/4	3/8
VR 5000 X 5875 FF	5	5 7/8	7/16
VR 5000 X 5875 MF	5	5 7/8	7/16
VR 5000 X 5875 VF	5	5 7/8	7/16
VR 5000 X 6000 FF	5	6	1/2
VR 5000 X 6000 MF	5	6	1/2
VR 5000 X 6000 VF	5	6	1/2
VR 5250 X 6000 FF	5 1/4	6	3/8
VR 5250 X 6000 MF	5 1/4	6 1/4	1/2
VR 5250 X 6250 FF	5 1/4	6 1/4	1/2
VR 5250 X 6250 MF	5 1/4	6 1/4	1/2
VR 5250 X 6250 VF	5 1/4	6 1/4	1/2
VR 5500 X 6000 FF	5 1/2	6	1/4
VR 5500 X 6000 MF	5 1/2	6	1/4
VR 5500 X 6000 VF	5 1/2	6	1/4
VR 5500 X 6500 FF	5 1/2	6 1/2	1/2
VR 5500 X 6500 MF	5 1/2	6 1/2	1/2
VR 5500 X 6500 VF	5 1/2	6 1/2	1/2
VR 6000 X 6500 FF	6	6 1/2	1/4
VR 6000 X 6500 MF	6	6 1/2	1/4
VR 6000 X 6500 VF	6	6 1/2	1/4
VR 6000 X 7000 FF	6	7	1/2
VR 6000 X 7000 MF	6	7	1/2
VR 6000 X 7000 VF	6	7	1/2
VR 6500 X 7000 FF	6 1/2	7	1/4
VR 6500 X 7000 MF	6 1/2	7	1/4
VR 6500 X 7000 VF	6 1/2	7	1/4
VR 7000 X 7500 FF	7	7 1/2	1/4
VR 7000 X 7500 MF	7	7 1/2	1/4
VR 7000 X 7500 VF	7	7 1/2	1/4
VR 7500 X 8000 FF	7 1/2	8	1/4
VR 7500 X 8000 MF	7 1/2	8	1/4
VR 7500 X 8000 VF	7 1/2	8	1/4
VR 8000 X 8500 FF	8	8 1/2	1/4
VR 8000 X 8500 MF	8	8 1/2	1/4
VR 8000 X 8500 VF	8	8 1/2	1/4

For availability of sizes not listed, please inquire.



Piston Cups

Piston Cups are primarily used on piston heads, plungers or rams in hydraulic or pneumatic service. Its mechanical sealing surface is at its periphery.

Piston Cups are commonly used because of economical cost, excellent service life, efficient assemble, universal acceptance, and simple accessories.

Homogeneous Piston Cups are recommended to handle low pressures (under 150 psi) in air, water, hydraulic fluids, and lubricating oils. Homogeneous Piston Cups stocked by APG are 80 Durometer Nitrile. They are also available in other homogeneous materials such as EPR, Fluoroelastomer, and Silicone.

Fabric reinforced Piston Cups prevent extrusion in medium pressure installations (up to 1000 psi) or where diametrical clearances are greater.

Piston Cup Installation Data

Figure 1 shows a Piston Cups packing (P) attached directly to a ram (R) without the use of a separate backing plate.

This is a proper method, as long as the rules of good design are observed. The cylinder should be correctly finished to close tolerances and the ram of a size and material that can be finished to leave only a minimum working clearance between it and the cylinder wall. The cylinder and ram must be of suitable material so that no scoring of the cylinder will take place.

Due to the nature of the work being done by a ram of this type, wear is inevitable and usually occurs to a great extent on one side. When this wear has progressed to a certain degree, the Piston Cup packing will not be properly supported.

To insure lip contact, Piston Cups generally are designed with the heel .010"-.015" under nominal O.D., and the lip diameter is .020"-.030" over nominal O.D. This insures heel clearance and full lip contact.

Heel clearance is needed so full pressure is not carried by this narrow area, or its wears excessively. Clearance between the piston and cylinder wall must be minimized to prevent extrusion at the cup's heel.

The seal between the bottom of the cup and the piston head is a compression seal, created by bolting or otherwise fastening the cup between the piston head (or backing plate) and follower plate. Do not over-tighten the follower nut especially when using homogenous Piston Cups. Over-tightening will cause heel to extrude cause premature failure.

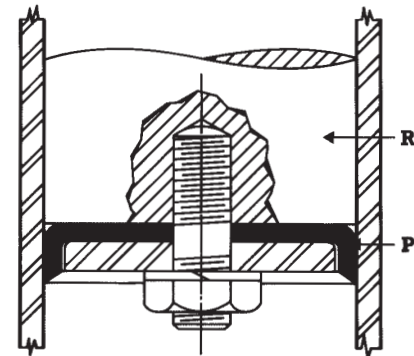


Figure 1
Piston Cup
Attached to Ram



Piston Cup packings are installed with the sealing lips toward the pressure medium, thus the mechanical seal between the piston and the cylinder wall for which the cup is designed is created by the pressure applied against the cup. In the dynamic seal area indicated in Figure 2, make sure there is enough compression, with no gaps, to insure a seal. It is also important to be sure that the heel of the Piston Cup is thick enough to create compression between the areas of B and C.

Figure 2 illustrates two Piston Cup packings (A and A) which are installed back to back against a common backing plate C in a double-acting cylinder. B serves as the follower plate to compress the static seal. A good solid plate is provided which is a piston head. Packings should not be installed without a backing plate between them.

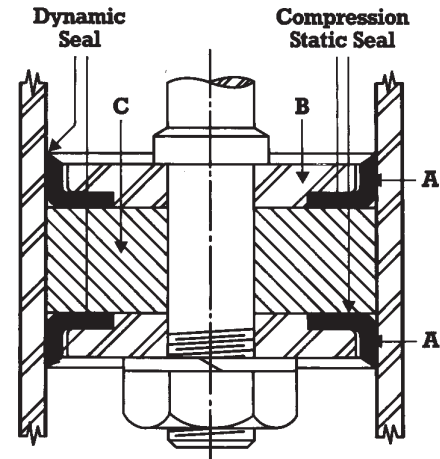


Figure 2
Proper Installation
of Piston Cups for
Double-Acting Piston



“America’s most Responsive Warehouse”

Let us show you why!



Piston Cup Dimensional Data

Homogenous Nitrile 80 Durometer

Part Number	Outside Diameter (inches)	Inside* Diameter (inches)	Height (inches)	Thickness (inches)
K52	1/2	(S)	1/2	1/32
K67	5/8	(S)	1/2	3/32
K101	1	(S)	1/2	1/8
K125	1-1/4	(S)	1/2	1/8
K138	1-3/8	(S)	7/16	1/8
K152	1-1/2	(S)	1/2	1/8
K176	1-3/4	(S)	1/2	1/8
K204	2	(S)	1/2	1/8
K226	2-1/4	(S)	1/2	1/8
K238	2-3/8	(S)	1/2	1/8
K251	2-1/2	(S)	1/2	1/8
K262	2-5/8	(S)	1/2	1/8
K276	2-3/4	(S)	1/2	1/8
K288	2 7/8	(S)	1/2	1/8
K303	3	(S)	1/2	1/8
K325	3-1/4	(S)	5/8	5/32
K349	3-1/2	(S)	1/2	1/8
K351	3-1/2	(S)	5/8	5/32
K362	3-5/8	(S)	5/8	5/32
K375	3-3/4	(S)	3/4	3/16
K400	4	(S)	3/4	3/16
K402	4	(S)	1/2	1/8
K403	4	(S)	5/8	5/32
K449	4-1/2	(S)	5/8	5/32
K475	4-3/4	(S)	3/4	5/32
K502	5	(S)	3/4	3/16
K550	5-1/2	(S)	3/4	3/16
K603	6	(S)	3/4	3/16

* The "S" in the I.D. column indicates that those items are stocked in a solid configuration, and any I.D. can be cut at no additional charge.

Note: For availability of additional sizes, please inquire.

Fabric Reinforced Nitrile

Part Number	Outside Diameter (inches)	Inside* Diameter (inches)	Height (inches)	Thickness (inches)
K50	1/2	(S)	1/2	1/8
K62	5/8	(S)	9/32	3/32
K77	3/4	(S)	5/16	1/8
K100	1	(S)	1/2	1/8
K102	1	(S)	7/16	3/32
K103	1	(S)	1/4	1/8
K123	1 1/4	(S)	7/16	3/32
K124	1 1/4	(S)	1/2	1/8
K137	1 3/8	(S)	1/2	1/8
K150	1 1/2	(S)	1/2	1/8
K150 - 375	1 1/2	3/8	1/2	1/8
K150 - 750	1 1/2	3/4	1/2	1/8
K163	1 5/8	(S)	1/2	1/8
K174	1 3/4	(S)	1/2	1/8
K175	1 3/4	(S)	1/2	1/8
K203	2	(S)	1/2	1/8
K203 - 375	2	3/8	1/2	1/8
K203 - 500	2	1/2	1/2	1/8
K203 - 625	2	5/8	1/2	1/8
K203 - 750	2	3/4	1/2	1/8
K225	2 1/4	(S)	1/2	1/8
K237	2 3/8	(S)	1/2	1/8
K250	2 1/2	(S)	1/2	1/8
K250 - 375	2 1/2	3/8	1/2	1/8
K250 - 500	2 1/2	1/2	1/2	1/8
K250 - 750	2 1/2	3/4	1/2	1/8
K275	2 3/4	(S)	1/2	1/8
K287	2 7/8	(S)	1/2	1/8
K300	3	(S)	5/8	5/32
K300 - 625	3	5/8	1/2	1/8
K300 - 1000	3	1	5/8	5/32
K300 - 1375	3	1 3/8	5/8	5/32
K300 - 1500	3	1 1/2	5/8	5/32
K300 - 1625	3	1 5/8	5/8	5/32
K302	3	(S)	1/2	1/8
K324 - 875	3 1/4	7/8	5/8	5/32
K327	3 1/4	(S)	5/8	3/16
K327 - 875	3 1/4	7/8	5/8	3/16
K350	3 1/2	(S)	5/8	5/32
K350 - 500	3 1/2	1/2	5/8	5/32
K350 - 750	3 1/2	3/4	5/8	5/32
K353	3 1/2	(S)	1/2	1/8
K376	3 3/4	(S)	5/8	1/8
K401 - 500	4	1/2	5/8	5/32
K401 - 625	4	5/8	5/8	5/32
K401 - 1500	4	1 1/2	5/8	5/32
K404	4	(S)	1/2	1/8
K407	4	(S)	3/4	3/16
K425	4 1/4	(S)	5/8	5/32
K450	4 1/2	(S)	5/8	5/32
K450 - 750	4 1/2	3/4	5/8	5/32
K450 - 2500	4 1/2	2 1/2	5/8	5/32
K503	5	(S)	3/4	3/16
K503 - 1000	5	1	3/4	3/16
K525	5 1/4	(S)	3/4	3/16
K601	6	(S)	3/4	3/16
K601 - 500	6	1/2	3/4	3/16
K601 - 2750	6	2 3/4	3/4	3/16



Metric Compact Piston Seals

Style ERKO

Double-acting three piece piston seal. 80 Durometer Nitrile with fabric reinforced Nitrile and Nylon guide rings. The sealing action is effected by the fabric reinforced Nitrile member at the dynamic side. Lubricants such as oil and grease are able to penetrate the fabric and allow the seal to be highly wear resistant. Can easily be to one piece pistons.



Style EZE

Double-acting three piece piston seal. 80 Durometer Nitrile with fabric reinforced Nitrile and Nylon guide rings. Consists of a solid rubber element that is reinforced with fabric on both sides. This gives the seal excellent resistance to pressure surges.



Style EZM

Double-acting five piece piston seal. 80 Durometer Nitrile with Hytrel back-up rings and Nylon guide rings. Consists of a Nitrile rubber sealing element that effects both static and dynamic sealing. The back-up rings and the guide rings are of the split type. The low profile of the guide rings provides simple installation. Not suitable for retaining applications.



Style EZW

Double-acting three piece piston seal. 80 Durometer Nitrile with fabric reinforced Nitrile and Nylon guide rings. Heavy duty seal for multi-piece pistons. The robust profile and the sturdy right angle of the back-up/support rings give the seal high resistance to peak pressures and pressure surges. Rated to 7500 psi.



Style L43

Double-acting five piece piston seal. 80 Durometer Nitrile with Hytrel back-up rings and Nylon guide rings. The hardness of the materials used in the construction of each component of the seal increases from the inside component to the outside component. As a result, the performance of each individual component is optimized in performing the individual functions of sealing, bridging the gap, and guidance within the cylinder tube.



www.callapg.com

713-675-5271
1-800-888-5223FAX 713-675-2730
FAX 1-800-444-3252

Metric Compact Piston Seal Dimensional Data

Part Number	Outside Diameter (mm)	Inside Diameter (mm)	Length (mm)	Wear Ring Groove Length (mm)
Style ERKO				
CPSERKO - 030	30	22	13.5	3.2
CPSERKO - 035	35	27	15.5	3.2
CPSERKO - 040	40	32	15.5	3.2
CPSERKO - 045	45	37	15.5	3.2
CPSERKO - 050	50	38	20.5	4.2
CPSERKO - 060	60	48	20.5	4.2
CPSERKO - 063	63	51	20.5	4.2
CPSERKO - 070	70	58	20.5	4.2
CPSERKO - 080	80	66	22.5	5.2
CPSERKO - 090	90	76	22.5	5.2
CPSERKO - 100	100	86	22.5	5.2
CPSERKO - 110	110	96	22.5	5.2
CPSERKO - 120	120	106	22.5	5.2
CPSERKO - 125	125	108	26.5	7.2
CPSERKO - 160	160	143	26.5	7.2
CPSERKO - 180	180	163	26.5	7.2
CPSERKO - 200	200	180	31.5	9.2
CPSERKO - 220	220	200	31.5	9.2
CPSERKO - 250	250	230	31.5	9.2
Style EZE				
CPSEZE - 035 - 022 - 15	35	22	15.4	6.35
CPSEZE - 040 - 024 - 18	40	24	18.4	6.35
CPSEZE - 045 - 029 - 18	45	29	18.4	6.35
CPSEZE - 050 - 034 - 18	50	34	18.4	6.35
CPSEZE - 055 - 039 - 18	55	39	18.4	6.35
CPSEZE - 060 - 044 - 18	60	44	18.4	6.35
CPSEZE - 063 - 047 - 19	63	47	19.4	6.35
CPSEZE - 065 - 050 - 18	65	50	18.4	6.35
CPSEZE - 070 - 050 - 22	70	50	22.4	6.35
CPSEZE - 080 - 060 - 22	80	60	22.4	6.35
CPSEZE - 085 - 065 - 22	85	65	22.4	6.35
CPSEZE - 090 - 070 - 22	90	70	22.4	6.35
CPSEZE - 100 - 075 - 22	100	75	22.4	6.35
CPSEZE - 100 - 080 - 25	100	80	25.4	6.35
CPSEZE - 115 - 090 - 22	115	90	22.4	6.35
CPSEZE - 120 - 100 - 25	120	100	25.4	6.35
CPSEZE - 125 - 100 - 25	125	100	25.4	6.35
CPSEZE - 130 - 105 - 25	130	105	25.4	6.35
CPSEZE - 140 - 115 - 25	140	115	25.4	6.35
CPSEZE - 150 - 120 - 38	150	120	38.4	6.35
CPSEZE - 160 - 130 - 25	160	130	25.4	6.35
Style EZM				
CPSEZM - 025 - 015 - 12	25	15	12.4	6.35
CPSEZM - 040 - 024 - 18	40	24	18.4	6.35
CPSEZM - 040 - 030 - 11	40	30	11.4	6.35
CPSEZM - 040 - 030 - 16	40	30	16.4	6.35
CPSEZM - 045 - 029 - 18	45	29	18.4	6.35
CPSEZM - 045 - 031 - 15	45	31	15.4	6.35
CPSEZM - 045 - 035 - 16	45	35	16.4	6.35
CPSEZM - 050 - 034 - 18	50	34	18.4	6.35
CPSEZM - 050 - 040 - 11	50	40	11.1	6.35
CPSEZM - 055 - 039 - 18	55	39	18.4	6.35

For availability of sizes not listed please inquire



Metric Compact Piston Seal Dimensional Data (Continued)

Part Number	Outside Diameter (mm)	Inside Diameter (mm)	Length (mm)	Wear Ring Groove Length (mm)
Style EZM (Continued)				
CPSEZM - 060 - 044 - 18	60	44	18.4	6.35
CPSEZM - 063 - 047 - 18	63	47	18.4	6.35
CPSEZM - 065 - 050 - 18	65	50	18.4	6.35
CPSEZM - 070 - 050 - 22	70	50	22.4	6.35
CPSEZM - 075 - 055 - 22	75	55	22.4	6.35
CPSEZM - 080 - 060 - 22	80	60	22.4	6.35
CPSEZM - 085 - 065 - 22	85	65	22.4	6.35
CPSEZM - 090 - 070 - 22	90	70	22.4	6.35
CPSEZM - 095 - 075 - 22	95	75	22.4	6.35
CPSEZM - 100 - 075 - 22	100	75	22.4	6.35
CPSEZM - 100 - 080 - 25	100	80	25.4	6.35
CPSEZM - 105 - 080 - 22	105	80	22.4	6.35
CPSEZM - 110 - 085 - 22	110	85	22.4	6.35
CPSEZM - 115 - 090 - 22	115	90	22.4	6.35
CPSEZM - 120 - 095 - 22	120	95	22.4	6.35
CPSEZM - 125 - 100 - 25	125	100	25.4	6.35
CPSEZM - 125 - 105 - 25	125	105	25.4	6.35
CPSEZM - 130 - 105 - 25	130	105	25.4	6.35
CPSEZM - 135 - 110 - 25	135	110	25.4	9.52
CPSEZM - 140 - 115 - 25	140	115	25.4	9.52
CPSEZM - 145 - 120 - 25	145	120	25.4	9.52
CPSEZM - 150 - 125 - 25	150	125	25.4	6.35
CPSEZM - 160 - 130 - 25	160	130	25.4	6.35
CPSEZM - 160 - 135 - 25	160	135	25.4	9.52
CPSEZM - 165 - 140 - 25	165	140	25.4	9.52
CPSEZM - 170 - 145 - 25	170	145	25.4	12.7
CPSEZM - 180 - 155 - 25	180	155	25.4	12.7
CPSEZM - 190 - 165 - 25	190	165	25.4	12.7
CPSEZM - 230 - 205 - 25	230	205	25.4	12.7
Style EZW				
CPSEZW - 060 - 040 - 31	60	40	31	6.9
CPSEZW - 063 - 043 - 31	63	43	31	6.9
CPSEZW - 070 - 050 - 31	70	50	31	6.9
CPSEZW - 080 - 060 - 31	80	60	31	6.9
CPSEZW - 090 - 070 - 31	90	70	31	6.9
CPSEZW - 100 - 080 - 31	100	80	31	6.9
Style L43				
CPSL43 - 050 - 034 - 20.5	50	34	20.5	3.1
CPSL43 - 060 - 044 - 20.5	60	44	20.5	3.1
CPSL43 - 090 - 072 - 22.5	90	72	22.5	3.6
CPSL43 - 100 - 075 - 22.4	100	75	22.4	6.4
CPSL43 - 125 - 103 - 26.5	125	103	26.5	5.1
CPSL43 - 160 - 138 - 26.5	160	138	26.5	5.1
CPSL43 - 200 - 170 - 35.4	200	170	35.4	6.4
CPSL43 - 200 - 175 - 31.5	200	175	31.5	6.6
CPSL43 - 220 - 195 - 25.4	220	195	25.4	12.7

For availability of sizes not listed please inquire



Metric Oil Seals

Low pressure seals for rotating shafts. APG stocks Oil Seals in both Nitrile and Fluoroelastomer Compounds.

Type R

The most popular type in today's industry. Available in almost all inch and metric sizes. Meets DIN 3760-A standard.



Type RST

Rubber covered oil seal with extra dust lip to prevent contamination from penetrating the system. Very popular type of oil seal that is available in many inch and metric sizes.



Type RZV

Springless oil seal with compact cross section developed to seal needle bearings. Good grease seal. Allows very compact constructions.



Type MZV

Metal cased springless oil seal with compact cross section developed to seal needle bearings. Good grease seal. Allows very compact constructions.



Type MST

Very popular type of oil seal with a single metal case and extra dust lip to prevent contamination from penetrating the system. If desired size is not available in MST, an RST may be used in most applications.



Metric Oil Seal Popular Interchanges

APG	R	RST	RZV	MZV	MST
Chicago Rawhide	HMS4	HMSA7		HM14	CRWA1
Dichtomatik	WA	WAS	WAO	WB0	WBS
Dichta	A	AS	A-O	DINA	BS
DIN 3760	A	AS			
Gaco	A	FA			
Garlock	92	94	91		78
Goetze	827N	827S	827 NO	822 NO	822 S
Kaco	DG	DGS	DE	DC	DFS
National	35	32	34	31	47
NOK	SC	TC	VC	VB	TB
Simrit/Fruenberg	BA	BASL	BAOF	B10F	B1SL
Stefa	CB	CC	CD		BC
Transcom	SC	TC	VC	VB	TB



Metric Nitrile Oil Seal Dimensional Data

(Inch Standard Dimensions Specified Where Applicable – Part Number Identified with an “X” Suffix)

Part Number	Dimensions					
	Millimeters			Inches (Standard)		
	Inside Diameter	Outside Diameter	Width	Inside Diameter	Outside Diameter	Width
MOS004 - 008 - 02 - R	4	8	2			
MOS004 - 016 - 06 - R	4	16	6			
MOS005 - 015 - 06 - R	5	15	6			
MOS006 - 010 - 02 - R	6	10	2			
MOS006 - 015 - 07 - R	6	15	7			
MOS006 - 016 - 07 - R	6	16	7			
MOS006 - 019 - 06 - R	6	19	6			
MOS006 - 019 - 06 - RX	6.35	19.05	6.35	1/4	3/4	1/4
MOS006 - 019 - 07 - R	6	19	7			
MOS006 - 022 - 07 - R	6	22	7			
MOS007 - 016 - 07 - R	7	16	7			
MOS007 - 019 - 06 - R	7	19	6			
MOS007 - 019 - 06 - RX	7.93	19.05	6.35	5/16	3/4	1/4
MOS007 - 022 - 07 - R	7	22	7			
MOS007 - 022 - 07 - RST	7	22	7			
MOS007 - 022 - 08 - R	7	22	8			
MOS008 - 012 - 03 - RZV	8	12	3			
MOS008 - 014 - 04 - R	8	14	4			
MOS008 - 015 - 03 - RZV	8	15	3			
MOS008 - 016 - 07 - R	8	16	7			
MOS008 - 016 - 07 - RST	8	15	7			
MOS008 - 018 - 05 - R	8	18	5			
MOS008 - 020 - 05 - RST	8	20	5			
MOS008 - 022 - 07 - R	8	22	7			
MOS008 - 022 - 08 - R	8	22	8			
MOS008 - 024 - 07 - R	8	24	7			
MOS009 - 016 - 03 - RZV	9	16	3			
MOS009 - 017 - 04 - M	9	17	4			
MOS009 - 019 - 05 - RST	9	19	5			
MOS009 - 019 - 06 - RX	9.52	19.05	6.35	3/8	3/4	1/4
MOS009 - 022 - 06 - RX	9.52	22.22	6.35	3/8	7/8	1/4
MOS009 - 022 - 07 - R	9	22	7			
MOS009 - 024 - 07 - R	9	24	7			
MOS009 - 026 - 07 - R	9	26	7			
MOS010 - 014 - 03 - RZV	10	14	3			
MOS010 - 016 - 04 - MZV	10	16	4			
MOS010 - 016 - 04 - R	10	16	4			
MOS010 - 016 - 05 - R	10	16	5			
MOS010 - 017 - 05 - M	10	17	5			
MOS010 - 018 - 05 - R	10	18	5			
MOS010 - 018 - 06 - R	10	18	6			
MOS010 - 019 - 07 - R	10	19	7			
MOS010 - 020 - 04 - R	10	20	4			
MOS010 - 020 - 05 - RST	10	20	5			
MOS010 - 020 - 07 - RST	10	20	7			
MOS010 - 022 - 06 - R	10	22	6			
MOS010 - 022 - 06 - RST	10	22	6			
MOS010 - 022 - 07 - R	10	22	7			
MOS010 - 022 - 07 - RST	10	22	7			
MOS010 - 024 - 07 - R	10	24	7			
MOS010 - 024 - 07 - RST	10	24	7			
MOS010 - 026 - 07 - R	10	26	7			
MOS010 - 028 - 07 - R	10	28	7			
MOS010 - 030 - 07 - R	10	30	7			
MOS010 - 030 - 08 - R	10	30	8			

For availability of additional sizes not listed, please inquire.



Metric Nitrile Oil Seal Dimensional Data (Continued)

(Inch Standard Dimensions Specified Where Applicable – Part Number Identified with an “X” Suffix)

Part Number	Dimensions					
	Millimeters			Inches (Standard)		
	Inside Diameter	Outside Diameter	Width	Inside Diameter	Outside Diameter	Width
MOS011 - 011 - 017 - R	11	17	4			
MOS011 - 011 - 026 - R	11	26	7			
MOS012 - 016 - 03 - RZV	12	16	3			
MOS012 - 018 - 03 - RZV	12	18	3			
MOS012 - 019 - 03 - RZV	12	19	3			
MOS012 - 019 - 05 - R	12	19	5			
MOS012 - 020 - 04 - RST	12	20	4			
MOS012 - 020 - 05 - R	12	20	5			
MOS012 - 020 - 05 - RST	12	20	5			
MOS012 - 021 - 04 - R	12	21	4			
MOS012 - 022 - 04 - R	12	22	4			
MOS012 - 022 - 05 - R	12	22	5			
MOS012 - 022 - 06 - RST	12	22	6			
MOS012 - 022 - 06 - RX	12.70	22.22	6.35	1/2	7/8	1/4
MOS012 - 022 - 07 - M	12	22	7			
MOS012 - 022 - 07 - R	12	22	7			
MOS012 - 022 - 07 - RST	12	22	7			
MOS012 - 022 - 08 - R	12	22	8			
MOS012 - 024 - 06 - R	12	24	6			
MOS012 - 024 - 07 - R	12	24	7			
MOS012 - 024 - 07 - RST	12	24	7			
MOS012 - 025 - 05 - R	12	25	5			
MOS012 - 025 - 06 - MX	12.70	25.40	6.35	1/2	1	1/4
MOS012 - 025 - 07 - RST	12	25	7			
MOS012 - 025 - 08 - R	12	25	8			
MOS012 - 026 - 07 - R	12	26	7			
MOS012 - 026 - 07 - RST	12	26	7			
MOS012 - 026 - 08 - R	12	26	8			
MOS012 - 028 - 06 - RX	12.70	28.57	6.35	1/2	1 1/8	1/4
MOS012 - 028 - 07 - R	12	28	7			
MOS012 - 028 - 07 - RST	12	28	7			
MOS012 - 028 - 07 - RX	12.70	28.57	7.93	1/2	1 1/8	5/16
MOS012 - 028 - 08 - RST	12	28	8			
MOS012 - 030 - 10 - R	12	30	10			
MOS012 - 030 - 07 - R	12	30	7			
MOS012 - 030 - 08 - R	12	30	8			
MOS012 - 032 - 07 - R	12	32	7			
MOS013 - 022 - 05 - R	13	22	5			
MOS013 - 025 - 07 - R	13	25	7			
MOS013 - 026 - 05 - R	13	26	5			
MOS013 - 026 - 07 - RST	13	26	7			
MOS013 - 030 - 08 - R	13	30	8			
MOS014 - 020 - 05 - R	14	20	5			
MOS014 - 020 - 05 - RZV	14	20	5			
MOS014 - 022 - 04 - R	14	22	4			
MOS014 - 022 - 05 - R	14	22	5			
MOS014 - 022 - 05 - RST	14	22	5			
MOS014 - 024 - 05 - RST	14	24	5			
MOS014 - 024 - 07 - R	14	24	7			
MOS014 - 024 - 07 - RST	14	24	7			
MOS014 - 025 - 06 - MX	14.28	25.40	6.35	9/16	1	1/4
MOS014 - 025 - 07 - R	14	25	7			
MOS014 - 026 - 07 - R	14	26	7			
MOS014 - 026 - 08 - R	14	26	8			
MOS014 - 028 - 06 - MX	14.28	28.57	6.35	9/16	1 1/8	1/4

For availability of additional sizes not listed, please inquire.



Metric Nitrile Oil Seal Dimensional Data (Continued)

(Inch Standard Dimensions Specified Where Applicable – Part Number Identified with an “X” Suffix)

Part Number	Dimensions					
	Millimeters			Inches (Standard)		
	Inside Diameter	Outside Diameter	Width	Inside Diameter	Outside Diameter	Width
MOS014 - 028 - 07 - R	14	28	7			
MOS014 - 028 - 09 - RX	14.28	28.57	9.52	9/16	1 1/8	3/8
MOS014 - 030 - 07 - R	14	30	7			
MOS014 - 030 - 07 - RST	14	30	7			
MOS014 - 030 - 08 - R	14	30	8			
MOS014 - 032 - 07 - RST	14	32	7			
MOS014 - 035 - 07 - R	14	35	7			
MOS015 - 021 - 03 - RZV	15	21	3			
MOS015 - 021 - 04 - R	15	21	4			
MOS015 - 022 - 07 - R	15	22	7			
MOS015 - 023 - 03 - RZV	15	23	3			
MOS015 - 024 - 05 - R	15	24	5			
MOS015 - 024 - 07 - R	15	24	7			
MOS015 - 024 - 07 - RST	15	24	7			
MOS015 - 025 - 04 - RX	15.00	25.50	4.60			
MOS015 - 025 - 05 - R	15	25	5			
MOS015 - 025 - 06 - RX	15.87	25.40	6.35	5/8	1	1/4
MOS015 - 025 - 07 - RST	15	25	7			
MOS015 - 026 - 07 - R	15	26	7			
MOS015 - 026 - 07 - RST	15	26	7			
MOS015 - 027 - 07 - R	15	27	7			
MOS015 - 028 - 06 - RX	15.87	28.57	6.35	5/8	1 1/8	1/4
MOS015 - 028 - 07 - R	15	28	7			
MOS015 - 028 - 09 - RX	15.87	28.57	9.52	5/8	1 1/8	3/8
MOS015 - 030 - 04 - RX	15	30	4.50			
MOS015 - 030 - 05 - RST	15	30	5			
MOS015 - 030 - 07 - R	15	30	7			
MOS015 - 030 - 07 - RST	15	30	7			
MOS015 - 030 - 08 - R	15	30	8			
MOS015 - 030 - 10 - R	15	30	10			
MOS015 - 031 - 06 - RX	15.87	31.75	6.35	5/8	1 1/4	1/4
MOS015 - 032 - 05 - RX	15	32	5.50			
MOS015 - 032 - 07 - R	15	32	7			
MOS015 - 032 - 07 - RST	15	32	7			
MOS015 - 034 - 09 - RX	15.87	34.92	9.52	5/8	1 3/8	3/8
MOS015 - 035 - 07 - R	15	35	7			
MOS015 - 035 - 07 - RST	15	35	7			
MOS015 - 035 - 08 - R	15	35	8			
MOS015 - 035 - 10 - R	15	35	10			
MOS015 - 035 - 10 - RST	15	35	10			
MOS015 - 040 - 10 - R	15	40	10			
MOS015 - 042 - 07 - R	15	42	7			
MOS015 - 042 - 08 - R	15	42	8			
MOS015 - 042 - 10 - R	15	42	10			
MOS016 - 022 - 03 - RZV	16	22	3			
MOS016 - 022 - 04 - R	16	22	4			
MOS016 - 022 - 06 - MZV	16	22	6			
MOS016 - 024 - 03 - RZV	16	24	3			
MOS016 - 024 - 04 - R	16	24	4			
MOS016 - 024 - 06 - RST	16	24	6			
MOS016 - 024 - 07 - R	16	24	7			
MOS016 - 025 - 04 - MZV	16	25	4			
MOS016 - 026 - 07 - R	16	26	7			
MOS016 - 026 - 07 - RST	16	26	7			
MOS016 - 028 - 07 - M	16	28	7			

For availability of additional sizes not listed, please inquire.



Metric Nitrile Oil Seal Dimensional Data (Continued)

(Inch Standard Dimensions Specified Where Applicable – Part Number Identified with an “X” Suffix)

Part Number	Dimensions					
	Millimeters			Inches (Standard)		
	Inside Diameter	Outside Diameter	Width	Inside Diameter	Outside Diameter	Width
MOS016 - 028 - 07 - R	16	28	7			
MOS016 - 028 - 07 - RST	16	28	7			
MOS016 - 028 - 08 - R	16	28	8			
MOS016 - 030 - 07 - R	16	30	7			
MOS016 - 030 - 07 - RST	16	30	7			
MOS016 - 032 - 07 - R	16	32	7			
MOS016 - 035 - 07 - R	16	35	7			
MOS016 - 035 - 07 - RST	16	35	7			
MOS016 - 035 - 10 - R	16	35	10			
MOS016 - 040 - 10 - R	16	40	10			
MOS016 - 040 - 10 - RST	16	40	10			
MOS017 - 024 - 07 - R	17	24	7			
MOS017 - 025 - 03 - RZV	17	25	3			
MOS017 - 026 - 06 - R	17	26	6			
MOS017 - 027 - 06 - R	17	27	6			
MOS017 - 027 - 07 - R	17	27	7			
MOS017 - 028 - 06 - R	17	28	6			
MOS017 - 028 - 06 - RX	17.46	28.57	6.35	11/16	1 1/8	1/4
MOS017 - 028 - 07 - M	17	28	7			
MOS017 - 028 - 07 - R	17	28	7			
MOS017 - 028 - 07 - RST	17	28	7			
MOS017 - 030 - 06 - RST	17	30	6			
MOS017 - 030 - 07 - M	17	30	7			
MOS017 - 030 - 07 - R	17	30	7			
MOS017 - 030 - 07 - RST	17	30	7			
MOS017 - 030 - 08 - R	17	30	8			
MOS017 - 031 - 06 - RX	17.46	31.75	6.35	11/16	1 1/4	1/4
MOS017 - 032 - 07 - R	17	32	7			
MOS017 - 032 - 07 - RST	17	32	7			
MOS017 - 033 - 08 - R	17	33	8			
MOS017 - 034 - 04 - R	17	34	4			
MOS017 - 034 - 07 - MX	17.46	34.92	7.93	11/16	1 3/8	5/16
MOS017 - 035 - 06 - RST	17	35	6			
MOS017 - 035 - 07 - R	17	35	7			
MOS017 - 035 - 07 - RST	17	35	7			
MOS017 - 035 - 08 - R	17	35	8			
MOS017 - 035 - 08 - RST	17	35	8			
MOS017 - 035 - 10 - R	17	35	10			
MOS017 - 037 - 07 - R	17	37	7			
MOS017 - 037 - 07 - RST	17	37	7			
MOS017 - 038 - 07 - RST	17	38	7			
MOS017 - 040 - 07 - R	17	40	7			
MOS017 - 040 - 07 - RST	17	40	7			
MOS017 - 040 - 10 - R	17	40	10			
MOS017 - 047 - 08 - R	17	47	8			
MOS017 - 047 - 10 - R	17	47	10			
MOS018 - 024 - 03 - RZV	18	24	3			
MOS018 - 024 - 04 - MSS	18	24	4			
MOS018 - 025 - 07 - R	18	25	7			
MOS018 - 026 - 04 - RZV	18	26	4			
MOS018 - 028 - 06 - R	18	28	6			
MOS018 - 028 - 07 - R	18	28	7			
MOS018 - 030 - 07 - R	18	30	7			
MOS018 - 030 - 07 - RST	18	30	7			
MOS018 - 032 - 06 - RST	18	32	6			

For availability of additional sizes not listed, please inquire.



Metric Nitrile Oil Seal Dimensional Data (Continued)

(Inch Standard Dimensions Specified Where Applicable – Part Number Identified with an “X” Suffix)

Part Number	Dimensions					
	Millimeters			Inches (Standard)		
	Inside Diameter	Outside Diameter	Width	Inside Diameter	Outside Diameter	Width
MOS018 - 032 - 07 - R	18	32	7			
MOS018 - 032 - 08 - R	18	32	8			
MOS018 - 032 - 08 - RST	18	32	8			
MOS018 - 035 - 06 - RST	18	35	6			
MOS018 - 035 - 07 - R	18	35	7			
MOS018 - 035 - 08 - R	18	35	8			
MOS018 - 035 - 10 - R	18	35	10			
MOS018 - 040 - 07 - R	18	40	7			
MOS018 - 040 - 10 - R	18	40	10			
MOS019 - 027 - 06 - R	19	27	6			
MOS019 - 028 - 04 - RX	19.05	28.57	4.76	3/4	1 1/8	3/16
MOS019 - 028 - 06 - RX	19.05	28.57	6.35	3/4	1 1/8	1/4
MOS019 - 030 - 07 - M	19	30	7			
MOS019 - 030 - 07 - RST	19	30	7			
MOS019 - 031 - 06 - RX	19.05	31.75	6.35	3/4	1 1/4	1/4
MOS019 - 031 - 07 - RX	19.05	31.75	7.93	3/4	1 1/4	5/16
MOS019 - 032 - 07 - R	19	32	7			
MOS019 - 032 - 08 - RST	19	32	8			
MOS019 - 034 - 06 - RX	19.05	34.92	6.35	3/4	1 3/8	1/4
MOS019 - 035 - 07 - R	19	35	7			
MOS019 - 035 - 10 - R	19	35	10			
MOS019 - 036 - 08 - R	19	36	8			
MOS019 - 038 - 07 - RX	19.05	38.10	7.93	3/4	1 1/2	5/16
MOS019 - 038 - 09 - RX	19.05	38.10	9.52	3/4	1 1/2	3/8
MOS019 - 040 - 08 - R	19	40	8			
MOS019 - 040 - 10 - R	19	40	10			
MOS019 - 047 - 07 - RST	19	47	7			
MOS020 - 026 - 04 - MZV	20	26	4			
MOS020 - 026 - 04 - RST	20	26	4			
MOS020 - 026 - 04 - RZV	20	26	4			
MOS020 - 028 - 04 - MZV	20	28	4			
MOS020 - 028 - 04 - R	20	28	4			
MOS020 - 028 - 06 - R	20	28	6			
MOS020 - 028 - 07 - R	20	28	7			
MOS020 - 030 - 04 - RX	20	30	4.70			
MOS020 - 030 - 05 - R	20	30	5			
MOS020 - 030 - 05 - RST	20	30	5			
MOS020 - 030 - 07 - R	20	30	7			
MOS020 - 030 - 07 - RST	20	30	7			
MOS020 - 031 - 05 - RZV	20	31	5			
MOS020 - 032 - 07 - R	20	32	7			
MOS020 - 032 - 07 - RST	20	32	7			
MOS020 - 033 - 08 - R	20	33	8			
MOS020 - 034 - 07 - RST	20	34	7			
MOS020 - 035 - 06 - R	20	35	6			
MOS020 - 035 - 07 - R	20	35	7			
MOS020 - 035 - 07 - RST	20	35	7			
MOS020 - 035 - 08 - R	20	35	8			
MOS020 - 035 - 08 - RST	20	35	8			
MOS020 - 035 - 10 - R	20	35	10			
MOS020 - 035 - 10 - RST	20	35	10			
MOS020 - 036 - 07 - R	20	36	7			
MOS020 - 037 - 08 - R	20	37	8			
MOS020 - 037 - 10 - D	20	37	10			
MOS020 - 038 - 07 - R	20	38	7			

For availability of additional sizes not listed, please inquire.



Metric Nitrile Oil Seal Dimensional Data (Continued)

(Inch Standard Dimensions Specified Where Applicable – Part Number Identified with an “X” Suffix)

Part Number	Dimensions					
	Millimeters			Inches (Standard)		
	Inside Diameter	Outside Diameter	Width	Inside Diameter	Outside Diameter	Width
MOS020 - 038 - 08 - R	20	38	8			
MOS020 - 038 - 08 - RST	20	38	8			
MOS020 - 040 - 07 - R	20	40	7			
MOS020 - 040 - 07 - RST	20	40	7			
MOS020 - 040 - 08 - R	20	40	8			
MOS020 - 040 - 10 - R	20	40	10			
MOS020 - 040 - 10 - RST	20	40	10			
MOS020 - 042 - 06 - R	20	42	6			
MOS020 - 042 - 07 - R	20	42	7			
MOS020 - 042 - 07 - RST	20	42	7			
MOS020 - 042 - 10 - R	20	42	10			
MOS020 - 042 - 10 - RST	20	42	10			
MOS020 - 045 - 08 - RST	20	45	8			
MOS020 - 045 - 10 - R	20	45	10			
MOS020 - 047 - 07 - R	20	47	7			
MOS020 - 047 - 07 - RST	20	47	7			
MOS020 - 047 - 08 - RST	20	47	8			
MOS020 - 047 - 10 - R	20	47	10			
MOS020 - 047 - 10 - RST	20	47	10			
MOS020 - 048 - 09 - R	20	48	9			
MOS020 - 052 - 07 - R	20	52	7			
MOS020 - 052 - 10 - R	20	52	10			
MOS022 - 030 - 07 - R	22	30	7			
MOS022 - 031 - 06 - RX	22.22	31.75	6.35	7/8	1 1/4	1/4
MOS022 - 032 - 07 - M	22	32	7			
MOS022 - 032 - 07 - R	22	32	7			
MOS022 - 032 - 07 - RST	22	32	7			
MOS022 - 034 - 06 - RX	22.22	34.92	6.35	7/8	1 3/8	1/4
MOS022 - 034 - 07 - RX	22.22	34.92	7.93	7/8	1 3/8	5/16
MOS022 - 035 - 05 - R	22	35	5			
MOS022 - 035 - 06 - R	22	35	6			
MOS022 - 035 - 07 - R	22	35	7			
MOS022 - 035 - 07 - RST	22	35	7			
MOS022 - 035 - 08 - R	22	35	8			
MOS022 - 035 - 08 - RST	22	35	8			
MOS022 - 035 - 10 - R	22	35	10			
MOS022 - 037 - 07 - R	22	37	7			
MOS022 - 038 - 07 - R	22	38	7			
MOS022 - 038 - 08 - RST	22	38	8			
MOS022 - 038 - 09 - RX	22.22	38.10	9.52	7/8	1 1/2	3/8
MOS022 - 040 - 07 - R	22	40	7			
MOS022 - 040 - 07 - RST	22	40	7			
MOS022 - 040 - 08 - R	22	40	8			
MOS022 - 040 - 08 - RST	22	40	8			
MOS022 - 040 - 10 - R	22	40	10			
MOS022 - 041 - 09 - RX	22.22	41.27	9.52	7/8	1 5/8	3/8
MOS022 - 042 - 07 - R	22	42	7			
MOS022 - 042 - 10 - R	22	42	10			
MOS022 - 043 - 08 - R	22	43	8			
MOS022 - 045 - 07 - R	22	45	7			
MOS022 - 047 - 07 - R	22	47	7			
MOS022 - 047 - 10 - R	22	47	10			
MOS023 - 038 - 07 - R	23	38	7			
MOS023 - 038 - 09 - RX	23.81	38.10	9.52	15/16	1 1/2	3/8
MOS023 - 040 - 10 - R	23	40	10			

For availability of additional sizes not listed, please inquire.



Metric Nitrile Oil Seal Dimensional Data (Continued)

(Inch Standard Dimensions Specified Where Applicable – Part Number Identified with an “X” Suffix)

Part Number	Dimensions					
	Millimeters			Inches (Standard)		
	Inside Diameter	Outside Diameter	Width	Inside Diameter	Outside Diameter	Width
MOS023 - 047 - 07 - RST	23	47	7			
MOS024 - 032 - 04 - RZV	24	32	4			
MOS024 - 032 - 07 - RST	24	32	7			
MOS024 - 034 - 07 - R	24	34	7			
MOS024 - 035 - 07 - R	24	35	7			
MOS024 - 035 - 07 - RST	24	35	7			
MOS024 - 036 - 07 - RST	24	36	7			
MOS024 - 037 - 07 - R	24	37	7			
MOS024 - 038 - 07 - RST	24	38	7			
MOS024 - 040 - 07 - R	24	40	7			
MOS024 - 040 - 07 - RST	24	40	7			
MOS024 - 040 - 10 - R	24	40	10			
MOS024 - 042 - 08 - R	24	42	8			
MOS024 - 042 - 08 - RST	24	42	8			
MOS024 - 042 - 10 - R	24	42	10			
MOS024 - 045 - 08 - RST	24	45	8			
MOS024 - 047 - 07 - R	24	47	7			
MOS024 - 047 - 07 - RST	24	47	7			
MOS024 - 047 - 08 - RST	24	47	8			
MOS024 - 047 - 10 - R	24	47	10			
MOS024 - 050 - 10 - R	24	50	10			
MOS024 - 052 - 10 - R	24	52	10			
MOS025 - 032 - 04 - RZV	25	32	4			
MOS025 - 032 - 07 - R	25	32	7			
MOS025 - 032 - 07 - RST	25	32	7			
MOS025 - 033 - 04 - RZV	25	33	4			
MOS025 - 033 - 07 - R	25	33	7			
MOS025 - 035 - 04 - RZV	25	35	4			
MOS025 - 035 - 05 - R	25	35	5			
MOS025 - 035 - 06 - R	25	35	6			
MOS025 - 035 - 06 - RST	25	35	6			
MOS025 - 035 - 07 - M	25	35	7			
MOS025 - 035 - 07 - R	25	35	7			
MOS025 - 035 - 07 - RST	25	35	7			
MOS025 - 035 - 08 - RST	25	35	8			
MOS025 - 035 - 10 - R	25	35	10			
MOS025 - 036 - 06 - RX	25.40	36.51	6.35	1	1 7/8	1/4
MOS025 - 036 - 07 - R	25	36	7			
MOS025 - 036 - 07 - RST	25	36	7			
MOS025 - 036 - 10 - R	25	36	10			
MOS025 - 037 - 07 - R	25	37	7			
MOS025 - 037 - 07 - RST	25	37	7			
MOS025 - 038 - 06 - RST	25	38	6			
MOS025 - 038 - 06 - RX	25.40	38.10	6.35	1	1 1/2	1/4
MOS025 - 038 - 07 - R	25	38	7			
MOS025 - 038 - 07 - RST	25	38	7			
MOS025 - 040 - 05 - RST	25	40	5			
MOS025 - 040 - 06 - R	25	40	6			
MOS025 - 040 - 07 - M	25	40	7			
MOS025 - 040 - 07 - R	25	40	7			
MOS025 - 040 - 07 - RST	25	40	7			
MOS025 - 040 - 08 - R	25	40	8			
MOS025 - 040 - 08 - RST	25	40	8			
MOS025 - 040 - 10 - R	25	40	10			
MOS025 - 040 - 10 - RST	25	40	10			

For availability of additional sizes not listed, please inquire.



Metric Nitrile Oil Seal Dimensional Data (Continued)

(Inch Standard Dimensions Specified Where Applicable – Part Number Identified with an “X” Suffix)

Part Number	Dimensions					
	Millimeters			Inches (Standard)		
	Inside Diameter	Outside Diameter	Width	Inside Diameter	Outside Diameter	Width
MOS025 - 041 - 09 - RX	25.40	41.27	9.52	1	1 5/8	3/8
MOS025 - 042 - 06 - R	25	42	6			
MOS025 - 042 - 07 - R	25	42	7			
MOS025 - 042 - 07 - RST	25	42	7			
MOS025 - 042 - 08 - M	25	42	8			
MOS025 - 042 - 08 - R	25	42	8			
MOS025 - 042 - 10 - R	25	42	10			
MOS025 - 042 - 10 - RST	25	42	10			
MOS025 - 044 - 06 - RX	25.40	44.45	6.35	1	1 3/4	1/4
MOS025 - 044 - 07 - RST	25	44	7			
MOS025 - 044 - 09 - RX	25.40	44.45	9.52	1	1 3/4	3/8
MOS025 - 045 - 07 - R	25	45	7			
MOS025 - 045 - 07 - RST	25	45	7			
MOS025 - 045 - 10 - R	25	45	10			
MOS025 - 045 - 10 - RST	25	45	10			
MOS025 - 046 - 07 - R	25	46	7			
MOS025 - 047 - 07 - R	25	47	7			
MOS025 - 047 - 07 - RST	25	47	7			
MOS025 - 047 - 08 - R	25	47	8			
MOS025 - 047 - 10 - R	25	47	10			
MOS025 - 047 - 10 - RST	25	47	10			
MOS025 - 048 - 08 - R	25	48	8			
MOS025 - 050 - 06 - RX	25.40	50.80	6.35	1	2	1/4
MOS025 - 050 - 08 - RST	25	50	8			
MOS025 - 050 - 09 - RX	25.40	50.80	9.52	1	2	3/8
MOS025 - 050 - 10 - R	25	50	10			
MOS025 - 052 - 07 - R	25	52	7			
MOS025 - 052 - 07 - RST	25	52	7			
MOS025 - 052 - 08 - R	25	52	8			
MOS025 - 052 - 08 - RST	25	52	8			
MOS025 - 052 - 10 - R	25	52	10			
MOS025 - 052 - 10 - RST	25	52	10			
MOS025 - 052 - 12 - R	25	52	12			
MOS025 - 055 - 09 - RST	25	55	9			
MOS025 - 062 - 07 - R	25	62	7			
MOS025 - 062 - 08 - R	25	62	8			
MOS025 - 062 - 10 - R	25	62	10			
MOS025 - 062 - 10 - RST	25	62	10			
MOS025 - 072 - 07 - R	25	72	7			
MOS026 - 034 - 04 - RZV	26	34	4			
MOS026 - 036 - 07 - R	26	36	7			
MOS026 - 037 - 07 - R	26	37	7			
MOS026 - 037 - 07 - RST	26	37	7			
MOS026 - 038 - 05 - RST	26	38	5			
MOS026 - 038 - 07 - R	26	38	7			
MOS026 - 040 - 07 - RST	26	40	7			
MOS026 - 041 - 07 - RX	26.98	41.27	7.93	1 1/16	1 5/8	5/16
MOS026 - 042 - 07 - R	26	42	7			
MOS026 - 042 - 07 - RST	26	42	7			
MOS026 - 042 - 08 - RST	26	42	8			
MOS026 - 047 - 07 - R	26	47	7			
MOS027 - 035 - 04 - R	27	35	4			
MOS027 - 037 - 07 - R	27	37	7			
MOS027 - 038 - 07 - RST	27	38	7			
MOS027 - 040 - 08 - RST	27	40	8			

For availability of additional sizes not listed, please inquire.



Metric Nitrile Oil Seal Dimensional Data (Continued)

(Inch Standard Dimensions Specified Where Applicable – Part Number Identified with an “X” Suffix)

Part Number	Dimensions					
	Millimeters			Inches (Standard)		
	Inside Diameter	Outside Diameter	Width	Inside Diameter	Outside Diameter	Width
MOS027 - 040 - 10 - R	27	40	10			
MOS027 - 041 - 10 - R	27	41	10			
MOS027 - 042 - 10 - R	27	42	10			
MOS027 - 042 - 10 - RST	27	42	10			
MOS027 - 043 - 09 - RST	27	43	9			
MOS027 - 045 - 08 - RST	27	45	8			
MOS027 - 047 - 07 - R	27	47	7			
MOS027 - 047 - 10 - R	27	47	10			
MOS027 - 052 - 08 - R	27	52	8			
MOS027 - 052 - 10 - R	27	52	10			
MOS028 - 035 - 04 - RZV	28	35	4			
MOS028 - 037 - 04 - RZV	28	37	4			
MOS028 - 037 - 06 - MZV	28	37	6			
MOS028 - 038 - 06 - RX	28.57	38.10	6.35	1 1/8	1 1/2	1/4
MOS028 - 038 - 07 - R	28	38	7			
MOS028 - 038 - 07 - RST	28	38	7			
MOS028 - 040 - 07 - R	28	40	7			
MOS028 - 040 - 07 - RST	28	40	7			
MOS028 - 040 - 10 - R	28	40	10			
MOS028 - 041 - 06 - RX	28.57	41.27	6.35	1 1/8	1 5/8	1/4
MOS028 - 041 - 07 - RX	28.57	41.27	7.93	1 1/8	1 5/8	5/16
MOS028 - 042 - 07 - R	28	42	7			
MOS028 - 042 - 07 - RST	28	42	7			
MOS028 - 042 - 08 - R	28	42	8			
MOS028 - 042 - 08 - RST	28	42	8			
MOS028 - 042 - 10 - R	28	42	10			
MOS028 - 043 - 10 - R	28	43	10			
MOS028 - 044 - 09 - RX	28.57	44.45	9.52	1 1/8	1 3/4	3/8
MOS028 - 045 - 07 - RST	28	45	7			
MOS028 - 045 - 08 - R	28	45	8			
MOS028 - 047 - 07 - R	28	47	7			
MOS028 - 047 - 07 - RST	28	47	7			
MOS028 - 047 - 09 - RX	28.57	47.63	9.52	1 1/8	1 7/8	3/8
MOS028 - 047 - 10 - R	28	47	10			
MOS028 - 047 - 10 - RST	28	47	10			
MOS028 - 048 - 08 - RST	28	48	8			
MOS028 - 050 - 09 - RX	28.57	50.80	9.52	1 1/8	2	3/8
MOS028 - 050 - 10 - R	28	50	10			
MOS028 - 052 - 07 - R	28	52	7			
MOS028 - 052 - 07 - RST	28	52	7			
MOS028 - 052 - 10 - R	28	52	10			
MOS028 - 052 - 10 - RST	28	52	10			
MOS029 - 046 - 10 - R	29	46	10			
MOS029 - 047 - 08 - R	29	47	8			
MOS029 - 047 - 10 - R	29	47	10			
MOS029 - 062 - 10 - R	29	62	10			
MOS030 - 037 - 04 - RZV	30	37	4			
MOS030 - 040 - 04 - RZV	30	40	4			
MOS030 - 040 - 07 - M	30	40	7			
MOS030 - 040 - 07 - R	30	40	7			
MOS030 - 040 - 07 - RST	30	40	7			
MOS030 - 040 - 08 - R	30	40	8			
MOS030 - 040 - 10 - R	30	40	10			
MOS030 - 042 - 07 - R	30	42	7			
MOS030 - 042 - 07 - RST	30	42	7			

For availability of additional sizes not listed, please inquire.



Metric Nitrile Oil Seal Dimensional Data (Continued)

(Inch Standard Dimensions Specified Where Applicable – Part Number Identified with an “X” Suffix)

Part Number	Dimensions					
	Millimeters			Inches (Standard)		
	Inside Diameter	Outside Diameter	Width	Inside Diameter	Outside Diameter	Width
MOS030 - 042 - 08 - RST	30	42	8			
MOS030 - 043 - 08 - M	30	43	8			
MOS030 - 044 - 07 - RST	30	44	7			
MOS030 - 044 - 10 - R	30	44	10			
MOS030 - 045 - 05 - R	30	45	8			
MOS030 - 045 - 07 - R	30	45	7			
MOS030 - 045 - 08 - R	30	45	8			
MOS030 - 045 - 08 - RST	30	45	8			
MOS030 - 045 - 10 - R	30	45	10			
MOS030 - 046 - 07 - RST	30	46	7			
MOS030 - 046 - 08 - RST	30	46	8			
MOS030 - 047 - 05 - R	30	47	5			
MOS030 - 047 - 07 - R	30	47	7			
MOS030 - 047 - 07 - RST	30	47	7			
MOS030 - 047 - 08 - R	30	47	8			
MOS030 - 047 - 08 - RST	30	47	8			
MOS030 - 047 - 10 - R	30	47	10			
MOS030 - 047 - 10 - RST	30	47	10			
MOS030 - 048 - 08 - R	30	48	8			
MOS030 - 048 - 08 - RST	30	48	8			
MOS030 - 048 - 10 - R	30	48	10			
MOS930 - 050 - 07 - R	30	50	7			
MOS930 - 050 - 08 - R	30	50	8			
MOS930 - 050 - 09 - RX	30.16	50.80	9.52	1 3/16	2	3/8
MOS930 - 050 - 10 - R	30	50	10			
MOS930 - 050 - 10 - RST	30	50	10			
MOS930 - 052 - 07 - R	30	52	7			
MOS930 - 052 - 07 - RST	30	52	7			
MOS930 - 052 - 08 - RST	30	52	8			
MOS930 - 052 - 10 - M	30	52	10			
MOS930 - 052 - 10 - R	30	52	10			
MOS930 - 052 - 10 - RST	30	52	10			
MOS930 - 052 - 12 - R	30	52	12			
MOS930 - 054 - 10 - R	30	54	10			
MOS930 - 055 - 07 - R	30	55	7			
MOS930 - 055 - 07 - RST	30	55	7			
MOS930 - 055 - 10 - R	30	55	10			
MOS930 - 055 - 10 - RST	30	55	10			
MOS930 - 056 - 10 - R	30	56	10			
MOS930 - 060 - 10 - R	30	60	10			
MOS930 - 062 - 07 - R	30	62	7			
MOS930 - 062 - 07 - RST	30	62	7			
MOS930 - 062 - 08 - R	30	62	8			
MOS930 - 062 - 08 - RST	30	62	8			
MOS930 - 062 - 10 - R	30	62	10			
MOS930 - 062 - 10 - RST	30	62	10			
MOS930 - 062 - 12 - R	30	62	12			
MOS930 - 065 - 10 - R	30	65	10			
MOS930 - 072 - 10 - R	30	72	10			
MOS930 - 072 - 10 - RST	30	72	10			
MOS031 - 041 - 06 - RSTX	31.75	41.27	6.35	1 1/4	1 5/8	1/4
MOS031 - 042 - 06 - RSTX	31.75	42.86	6.35	1 1/4	1 11/16	1/4
MOS031 - 044 - 06 - MSTX	31.75	44.45	6.35	1 1/4	13/4	1/4
MOS031 - 044 - 06 - RX	31.75	44.45	6.35	1 1/4	1 3/4	1/4
MOS031 - 044 - 09 - RX	31.75	44.45	9.52	1 1/4	1 3/4	3/8

For availability of additional sizes not listed, please inquire.



Metric Nitrile Oil Seal Dimensional Data (Continued)

(Inch Standard Dimensions Specified Where Applicable – Part Number Identified with an “X” Suffix)

Part Number	Dimensions					
	Millimeters			Inches (Standard)		
	Inside Diameter	Outside Diameter	Width	Inside Diameter	Outside Diameter	Width
MOS031 - 047 - 07 - R	31	47	7			
MOS031 - 047 - 07 - RX	31.75	47.62	7.93	1 1/4	1 7/8	5/16
MOS031 - 050 - 09 - MX	31.75	50.80	9.52	1 1/4	2	3/8
MOS031 - 050 - 09 - RX	31.75	50.80	9.52	1 1/4	2	3/8
MOS031 - 052 - 07 - R	31	52	7			
MOS031 - 053 - 07 - RX	31.75	53.98	7.93	1 1/4	2 1/8	5/16
MOS031 - 057 - 09 - RX	31.75	57.15	9.52	1 1/4	2 1/4	3/8
MOS032 - 040 - 07 - R	32	40	7			
MOS032 - 042 - 04 - RZV	32	42	4			
MOS032 - 042 - 07 - M	32	42	7			
MOS032 - 042 - 07 - R	32	42	7			
MOS032 - 042 - 07 - RST	32	42	7			
MOS032 - 044 - 08 - RST	32	44	8			
MOS032 - 045 - 07 - R	32	45	7			
MOS032 - 045 - 07 - RST	32	45	7			
MOS032 - 045 - 08 - RST	32	45	8			
MOS032 - 045 - 10 - R	32	45	10			
MOS032 - 047 - 07 - R	32	47	7			
MOS032 - 047 - 07 - RST	32	47	7			
MOS032 - 047 - 08 - R	32	47	8			
MOS032 - 047 - 10 - R	32	47	10			
MOS032 - 047 - 10 - RST	32	47	10			
MOS032 - 048 - 07 - R	32	48	7			
MOS032 - 048 - 08 - RST	32	48	8			
MOS032 - 050 - 08 - R	32	50	8			
MOS032 - 050 - 10 - R	32	50	10			
MOS032 - 052 - 05 - R	32	52	5			
MOS032 - 052 - 07 - R	32	52	7			
MOS032 - 052 - 07 - RST	32	52	7			
MOS032 - 052 - 10 - R	32	52	10			
MOS032 - 052 - 10 - RST	32	52	10			
MOS032 - 052 - 12 - R	32	52	12			
MOS032 - 054 - 08 - R	32	54	8			
MOS032 - 055 - 10 - R	32	55	10			
MOS032 - 056 - 10 - R	32	56	10			
MOS032 - 056 - 10 - RST	32	56	10			
MOS032 - 062 - 10 - R	32	62	10			
MOS032 - 072 - 10 - RST	32	72	10			
MOS033 - 047 - 06 - RX	33.33	47.62	6.35	1 5/16	1 7/8	1/4
MOS033 - 050 - 08 - R	33	50	8			
MOS033 - 050 - 10 - R	33	50	10			
MOS033 - 052 - 10 - R	33	52	10			
MOS034 - 045 - 07 - R	34	45	7			
MOS034 - 046 - 10 - R	34	46	10			
MOS034 - 047 - 07 - RX	34.92	47.62	7.93	1 3/8	1 7/8	5/16
MOS034 - 048 - 08 - R	34	48	8			
MOS034 - 048 - 08 - RST	34	48	8			
MOS034 - 050 - 07 - RX	34.92	50.80	7.93	1 3/8	2	5/16
MOS034 - 050 - 10 - R	34	50	10			
MOS034 - 050 - 12 - RX	34.92	50.80	12.70	1 3/8	2	1/2
MOS034 - 052 - 07 - RX	34	52	7.50			
MOS034 - 052 - 10 - R	34	52	10			
MOS034 - 052 - 12 - RX	34.92	52.38	12.70	1 3/8	2 1/16	1/2
MOS034 - 053 - 09 - RX	34.92	53.98	9.52	1 3/8	2 1/8	3/8
MOS034 - 055 - 09 - R	34	55	9			

For availability of additional sizes not listed, please inquire.



Metric Nitrile Oil Seal Dimensional Data (Continued)

(Inch Standard Dimensions Specified Where Applicable – Part Number Identified with an “X” Suffix)

Part Number	Dimensions					
	Millimeters			Inches (Standard)		
	Inside Diameter	Outside Diameter	Width	Inside Diameter	Outside Diameter	Width
MOS034 - 057 - 09 - RX	34.92	57.15	9.52	1 3/8	2 1/4	3/8
MOS034 - 057 - 12 - RX	34.92	57.15	12.70	1 3/8	2 1/4	1/2
MOS034 - 063 - 12 - RX	34.92	63.50	12.70	1 3/8	2 1/2	1/2
MOS035 - 042 - 04 - MZV	35	42	4			
MOS035 - 042 - 08 - RST	35	42	8			
MOS035 - 045 - 04 - RZV	35	45	4			
MOS035 - 045 - 06 - R	35	45	6			
MOS035 - 045 - 07 - R	35	45	7			
MOS035 - 045 - 07 - RST	35	45	7			
MOS035 - 045 - 10 - R	35	45	10			
MOS035 - 047 - 07 - M	35	47	7			
MOS035 - 047 - 07 - R	35	47	7			
MOS035 - 047 - 07 - RST	35	47	7			
MOS035 - 047 - 08 - R	35	47	8			
MOS035 - 047 - 10 - R	35	47	10			
MOS035 - 047 - 10 - RST	35	47	10			
MOS035 - 048 - 08 - R	35	48	8			
MOS035 - 048 - 08 - RST	35	48	8			
MOS035 - 050 - 07 - R	35	50	7			
MOS035 - 050 - 08 - R	35	50	8			
MOS035 - 050 - 08 - RST	35	50	8			
MOS035 - 050 - 10 - R	35	50	10			
MOS035 - 050 - 10 - RST	35	50	10			
MOS035 - 050 - 12 - R	35	50	12			
MOS035 - 052 - 07 - RST	35	52	7			
MOS035 - 052 - 08 - R	35	52	8			
MOS035 - 052 - 10 - R	35	52	10			
MOS035 - 052 - 10 - RST	35	52	10			
MOS035 - 052 - 12 - R	35	52	12			
MOS035 - 054 - 10 - R	35	54	10			
MOS035 - 055 - 08 - R	35	55	8			
MOS035 - 055 - 08 - RST	35	55	8			
MOS035 - 055 - 09 - RST	35	55	9			
MOS035 - 055 - 10 - R	35	55	10			
MOS035 - 055 - 10 - RST	35	55	10			
MOS035 - 055 - 11 - RST	35	55	11			
MOS035 - 055 - 12 - R	35	55	12			
MOS035 - 056 - 10 - R	35	56	10			
MOS035 - 056 - 12 - R	35	56	12			
MOS035 - 056 - 12 - RST	35	56	12			
MOS035 - 058 - 10 - R	35	58	10			
MOS035 - 058 - 10 - RST	35	58	10			
MOS035 - 058 - 12 - R	35	58	12			
MOS035 - 060 - 10 - R	35	60	10			
MOS035 - 062 - 07 - R	35	62	7			
MOS035 - 062 - 07 - RST	35	62	7			
MOS035 - 062 - 08 - R	35	62	8			
MOS035 - 062 - 08 - RST	35	62	8			
MOS035 - 062 - 10 - R	35	62	10			
MOS035 - 062 - 10 - RST	35	62	10			
MOS035 - 062 - 12 - RST	35	62	12			
MOS035 - 065 - 10 - R	35	65	10			
MOS035 - 065 - 12 - R	35	65	12			
MOS035 - 068 - 06 - R	35	68	6			
MOS035 - 068 - 10 - R	35	68	10			

For availability of additional sizes not listed, please inquire.



Metric Nitrile Oil Seal Dimensional Data (Continued)

(Inch Standard Dimensions Specified Where Applicable – Part Number Identified with an “X” Suffix)

Part Number	Dimensions					
	Millimeters			Inches (Standard)		
	Inside Diameter	Outside Diameter	Width	Inside Diameter	Outside Diameter	Width
MOS035 - 072 - 10 - R	35	72	10			
MOS035 - 072 - 10 - RST	35	72	10			
MOS035 - 072 - 12 - M	35	72	12			
MOS035 - 072 - 12 - R	35	72	12			
MOS035 - 072 - 12 - RST	35	72	12			
MOS035 - 080 - 10 - R	35	80	10			
MOS035 - 080 - 10 - RST	35	80	10			
MOS036 - 047 - 07 - R	36	47	7			
MOS036 - 050 - 07 - R	36	50	7			
MOS036 - 050 - 10 - R	36	50	10			
MOS036 - 052 - 07 - R	36	52	7			
MOS036 - 053 - 06 - RX	36.51	53.98	6.35	1 7/16	2 1/16	1/4
MOS036 - 054 - 07 - RST	36	54	7			
MOS036 - 054 - 07 - RX	36	54	7.50			
MOS036 - 056 - 10 - R	36	56	10			
MOS036 - 058 - 12 - R	36	58	12			
MOS036 - 062 - 07 - R	36	62	7			
MOS036 - 062 - 10 - R	36	62	10			
MOS036 - 068 - 10 - R	36	68	10			
MOS037 - 047 - 04 - RZV	37	47	4			
MOS037 - 052 - 07 - R	37	52	7			
MOS037 - 052 - 10 - R	37	52	10			
MOS037 - 052 - 12 - RST	37	52	12			
MOS037 - 058 - 13 - RST	37	58	13			
MOS037 - 062 - 08 - R	37	62	8			
MOS038 - 048 - 04 - RZV	38	48	4			
MOS038 - 050 - 06 - RX	38.10	50.80	6.35	1 1/2	2	1/4
MOS038 - 050 - 07 - M	38	50	7			
MOS038 - 050 - 07 - R	38	50	7			
MOS038 - 050 - 07 - RST	38	50	7			
MOS038 - 052 - 06 - RX	38.10	52.38	6.35	1 1/2	2 1/16	1/4
MOS038 - 052 - 07 - R	38	52	7			
MOS038 - 052 - 07 - RST	38	52	7			
MOS038 - 052 - 08 - R	38	52	8			
MOS038 - 052 - 08 - RST	38	52	8			
MOS038 - 052 - 10 - R	38	52	10			
MOS038 - 054 - 07 - RST	38	54	7			
MOS038 - 055 - 07 - R	38	55	7			
MOS038 - 055 - 07 - RST	38	55	7			
MOS038 - 055 - 08 - RST	38	55	8			
MOS038 - 055 - 10 - R	38	55	10			
MOS038 - 055 - 10 - RST	38	55	10			
MOS038 - 056 - 10 - R	38	56	10			
MOS038 - 056 - 12 - R	38	56	12			
MOS038 - 057 - 07 - RX	38.10	57.15	7.93	1 1/2	2 1/4	5/16
MOS038 - 057 - 09 - RX	38.10	57.15	9.52	1 1/2	2 1/4	3/8
MOS038 - 058 - 10 - R	38	58	10			
MOS038 - 058 - 10 - RST	38	58	10			
MOS038 - 060 - 08 - RST	38	60	8			
MOS038 - 060 - 09 - RSTX	38.10	60.32	9.52	1	2 3/8	3/8
MOS038 - 060 - 10 - R	38	60	10			
MOS038 - 060 - 10 - RST	38	60	10			
MOS038 - 060 - 12 - RX	38.10	60.32	12.70	1 1/2	2 3/8	1/2
MOS038 - 062 - 07 - R	38	62	7			
MOS038 - 062 - 08 - RST	38	62	8			

For availability of additional sizes not listed, please inquire.



Metric Nitrile Oil Seal Dimensional Data (Continued)

(Inch Standard Dimensions Specified Where Applicable – Part Number Identified with an “X” Suffix)

Part Number	Dimensions					
	Millimeters			Inches (Standard)		
	Inside Diameter	Outside Diameter	Width	Inside Diameter	Outside Diameter	Width
MOS038 - 062 - 10 - R	38	62	10			
MOS038 - 063 - 09 - RX	38.10	63.50	9.52	1 1/2	2 1/2	3/8
MOS038 - 063 - 12 - RX	38.10	63.50	12.70	1 1/2	2 1/2	1/2
MOS038 - 065 - 10 - R	38	65	10			
MOS038 - 070 - 10 - M	38	70	10			
MOS038 - 072 - 10 - R	38	72	10			
MOS039 - 060 - 09 - RX	39.68	60.32	9.52	1 9/16	2 3/8	3/8
MOS040 - 047 - 04 - RZV	40	47	4			
MOS040 - 050 - 04 - RZV	40	50	4			
MOS040 - 050 - 07 - RST	40	50	7			
MOS040 - 050 - 08 - R	40	50	8			
MOS040 - 052 - 06 - R	40	52	6			
MOS040 - 052 - 07 - R	40	52	7			
MOS040 - 052 - 07 - RST	40	52	7			
MOS040 - 052 - 08 - RST	40	52	8			
MOS040 - 052 - 10 - R	40	52	10			
MOS040 - 055 - 07 - R	40	55	7			
MOS040 - 055 - 07 - RST	40	55	7			
MOS040 - 055 - 08 - R	40	55	8			
MOS040 - 055 - 08 - RST	40	55	8			
MOS040 - 055 - 10 - R	40	55	10			
MOS040 - 056 - 07 - R	40	56	7			
MOS040 - 056 - 07 - RST	40	56	7			
MOS040 - 056 - 08 - R	40	56	8			
MOS040 - 056 - 10 - R	40	56	10			
MOS040 - 056 - 10 - RST	40	56	10			
MOS040 - 056 - 12 - R	40	56	12			
MOS040 - 058 - 08 - RST	40	58	8			
MOS040 - 058 - 09 - R	40	58	9			
MOS040 - 058 - 10 - R	40	58	10			
MOS040 - 058 - 10 - RST	40	58	10			
MOS040 - 058 - 12 - R	40	58	12			
MOS040 - 060 - 07 - R	40	60	7			
MOS040 - 060 - 10 - R	40	60	10			
MOS040 - 060 - 10 - RST	40	60	10			
MOS040 - 060 - 12 - R	40	60	12			
MOS040 - 062 - 07 - R	40	62	7			
MOS040 - 062 - 07 - RST	40	62	7			
MOS040 - 062 - 08 - R	40	62	8			
MOS040 - 062 - 08 - RST	40	62	8			
MOS040 - 062 - 09 - RST	40	62	9			
MOS040 - 062 - 10 - R	40	62	10			
MOS040 - 062 - 10 - RST	40	62	10			
MOS040 - 062 - 12 - R	40	62	12			
MOS040 - 064 - 12 - RST	40	64	12			
MOS040 - 065 - 10 - R	40	65	10			
MOS040 - 065 - 10 - RST	40	65	10			
MOS040 - 065 - 12 - R	40	65	12			
MOS040 - 068 - 07 - R	40	68	7			
MOS040 - 068 - 10 - R	40	68	10			
MOS040 - 068 - 10 - RST	40	68	10			
MOS040 - 070 - 10 - R	40	70	10			
MOS040 - 072 - 07 - R	40	72	7			
MOS040 - 072 - 07 - RST	40	72	7			
MOS040 - 072 - 08 - R	40	72	8			

For availability of additional sizes not listed, please inquire.



Metric Nitrile Oil Seal Dimensional Data (Continued)

(Inch Standard Dimensions Specified Where Applicable – Part Number Identified with an “X” Suffix)

Part Number	Dimensions					
	Millimeters			Inches (Standard)		
	Inside Diameter	Outside Diameter	Width	Inside Diameter	Outside Diameter	Width
MOS040 - 072 - 10 - R	40	72	10			
MOS040 - 072 - 10 - RST	40	72	10			
MOS040 - 072 - 12 - R	40	72	12			
MOS040 - 080 - 10 - R	40	80	10			
MOS040 - 080 - 10 - RST	40	80	10			
MOS040 - 090 - 08 - R	40	90	8			
MOS041 - 060 - 07 - RX	41.27	60.32	7.93	1 5/8	2 3/8	5/16
MOS041 - 060 - 09 - RX	41.27	60.32	9.52	1 5/8	2 3/8	3/8
MOS041 - 063 - 12 - RX	41.27	63.50	12.70	1 5/8	2 1/2	1/2
MOS042 - 055 - 07 - R	42	55	7			
MOS042 - 055 - 07 - RST	42	55	7			
MOS042 - 055 - 08 - R	42	55	8			
MOS042 - 055 - 08 - RST	42	55	8			
MOS042 - 056 - 07 - R	42	56	7			
MOS042 - 058 - 08 - RST	42	58	8			
MOS042 - 058 - 10 - R	42	58	10			
MOS042 - 060 - 10 - R	42	60	10			
MOS042 - 060 - 12 - R	42	60	12			
MOS042 - 062 - 07 - R	42	62	7			
MOS042 - 062 - 07 - RST	42	62	7			
MOS042 - 062 - 08 - R	42	62	8			
MOS042 - 062 - 08 - RST	42	62	8			
MOS042 - 062 - 10 - R	42	62	10			
MOS042 - 062 - 10 - RST	42	62	10			
MOS042 - 062 - 12 - R	42	62	12			
MOS042 - 063 - 09 - RX	42.86	63.50	9.52	1 11/16	2 1/2	3/8
MOS042 - 065 - 10 - R	42	65	10			
MOS042 - 065 - 10 - RST	42	65	10			
MOS042 - 068 - 10 - R	42	68	10			
MOS042 - 068 - 10 - RST	42	68	10			
MOS042 - 072 - 08 - R	42	72	8			
MOS042 - 072 - 10 - R	42	72	10			
MOS042 - 080 - 10 - R	42	80	10			
MOS043 - 060 - 10 - R	43	60	10			
MOS043 - 060 - 10 - RST	43	60	10			
MOS043 - 062 - 08 - RST	43	62	8			
MOS043 - 062 - 10 - R	43	62	10			
MOS043 - 065 - 10 - R	43	65	10			
MOS044 - 057 - 09 - RX	44.45	57.15	9.52	1 3/4	2 1/4	3/8
MOS044 - 060 - 10 - R	44	60	10			
MOS044 - 062 - 08 - RST	44	62	8			
MOS044 - 062 - 10 - RST	44	62	10			
MOS044 - 063 - 09 - RX	44.45	63.50	9.52	1 3/4	2 1/2	3/8
MOS044 - 065 - 10 - R	44	65	10			
MOS044 - 069 - 09 - RX	44.45	69.85	9.52	1 3/4	2 3/4	3/8
MOS044 - 072 - 10 - R	44	72	10			
MOS044 - 073 - 12 - RX	44.45	73.03	12.70	1 3/4	2 7/8	1/2
MOS045 - 052 - 04 - RZV	45	52	4			
MOS045 - 055 - 07 - M	45	55	7			
MOS045 - 055 - 07 - R	45	55	7			
MOS045 - 058 - 07 - R	45	58	7			
MOS045 - 058 - 07 - RST	45	58	7			
MOS045 - 060 - 06 - RX	45	60	6.50			
MOS045 - 060 - 07 - R	45	60	7			
MOS045 - 060 - 07 - RST	45	60	7			

For availability of additional sizes not listed, please inquire.



Metric Nitrile Oil Seal Dimensional Data (Continued)

(Inch Standard Dimensions Specified Where Applicable – Part Number Identified with an “X” Suffix)

Part Number	Dimensions					
	Millimeters			Inches (Standard)		
	Inside Diameter	Outside Diameter	Width	Inside Diameter	Outside Diameter	Width
MOS045 - 060 - 08 - R	45	60	8			
MOS045 - 060 - 08 - RST	45	60	8			
MOS045 - 060 - 10 - R	45	60	10			
MOS045 - 062 - 07 - R	45	62	7			
MOS045 - 062 - 07 - RST	45	62	7			
MOS045 - 062 - 08 - R	45	62	8			
MOS045 - 062 - 08 - RST	45	62	8			
MOS045 - 062 - 10 - M	45	62	10			
MOS045 - 062 - 10 - R	45	62	10			
MOS045 - 062 - 10 - RST	45	62	10			
MOS045 - 062 - 12 - R	45	62	12			
MOS045 - 065 - 08 - R	45	65	8			
MOS045 - 065 - 08 - RST	45	65	8			
MOS045 - 065 - 10 - R	45	65	10			
MOS045 - 065 - 10 - RST	45	65	10			
MOS045 - 065 - 12 - RST	45	65	12			
MOS045 - 068 - 10 - R	45	68	10			
MOS045 - 068 - 12 - R	45	68	12			
MOS045 - 068 - 12 - RST	45	68	12			
MOS045 - 070 - 10 - R	45	70	10			
MOS045 - 070 - 10 - RST	45	70	10			
MOS045 - 070 - 12 - R	45	70	12			
MOS045 - 072 - 08 - R	45	72	8			
MOS045 - 072 - 08 - RST	45	72	8			
MOS045 - 072 - 10 - R	45	72	10			
MOS045 - 072 - 10 - RST	45	72	10			
MOS045 - 072 - 12 - R	45	72	12			
MOS045 - 075 - 08 - RST	45	75	8			
MOS045 - 075 - 10 - R	45	75	10			
MOS045 - 075 - 10 - RST	45	75	10			
MOS045 - 080 - 10 - R	45	80	10			
MOS045 - 080 - 10 - RST	45	80	10			
MOS045 - 080 - 13 - R	45	80	13			
MOS045 - 085 - 10 - R	45	85	10			
MOS045 - 085 - 10 - RST	45	85	10			
MOS045 - 090 - 10 - R	45	90	10			
MOS046 - 064 - 09 - RST	46	64	9			
MOS046 - 065 - 09 - RST	46	65	9			
MOS046 - 065 - 10 - R	46	65	10			
MOS047 - 062 - 08 - RX	47	62	8			
MOS047 - 063 - 07 - RX	47.62	63.50	7.93	1 7/8	2 1/2	5/16
MOS047 - 065 - 10 - R	47	65	10			
MOS047 - 069 - 09 - RX	47.62	69.85	9.52	1 7/8	2 1/2	3/8
MOS047 - 069 - 12 - RX	47.62	69.85	12.70	1 7/8	2 3/4	1/2
MOS048 - 062 - 08 - M	48	62	8			
MOS048 - 062 - 08 - R	48	62	8			
MOS048 - 062 - 08 - RST	48	62	8			
MOS048 - 062 - 10 - R	48	62	10			
MOS048 - 065 - 08 - R	48	65	8			
MOS048 - 065 - 10 - R	48	65	10			
MOS048 - 065 - 10 - RST	48	65	10			
MOS048 - 068 - 08 - RS	48	68	8			
MOS048 - 068 - 10 - R	48	68	10			
MOS048 - 068 - 10 - RST	48	68	10			
MOS048 - 070 - 09 - RST	48	70	9			

For availability of additional sizes not listed, please inquire.



Metric Nitrile Oil Seal Dimensional Data (Continued)

(Inch Standard Dimensions Specified Where Applicable – Part Number Identified with an “X” Suffix)

Part Number	Dimensions					
	Millimeters			Inches (Standard)		
	Inside Diameter	Outside Diameter	Width	Inside Diameter	Outside Diameter	Width
MOS048 - 070 - 10 - R	48	70	10			
MOS048 - 072 - 07 - RST	48	72	7			
MOS048 - 072 - 08 - R	48	72	8			
MOS048 - 072 - 10 - R	48	72	10			
MOS048 - 072 - 12 - R	48	72	12			
MOS048 - 072 - 12 - RST	48	72	12			
MOS048 - 080 - 10 - R	48	80	10			
MOS048 - 080 - 10 - RST	48	80	10			
MOS048 - 090 - 10 - R	48	90	10			
MOS049 - 063 - 09 - RX	49.21	63.50	9.52	1 15/16	2 1/2	3/8
MOS049 - 069 - 09 - RSX	49.21	69.85	9.52	1 15/16	2 3/4	3/8
MOS050 - 058 - 04 - RZV	50	58	4			
MOS050 - 060 - 10 - R	50	60	10			
MOS050 - 062 - 07 - R	50	62	7			
MOS050 - 062 - 07 - RST	50	62	7			
MOS050 - 062 - 10 - R	50	62	10			
MOS050 - 065 - 08 - R	50	65	8			
MOS050 - 065 - 08 - RST	50	65	8			
MOS050 - 065 - 10 - R	50	65	10			
MOS050 - 068 - 08 - R	50	68	8			
MOS050 - 068 - 08 - RST	50	68	8			
MOS050 - 068 - 10 - R	50	68	10			
MOS050 - 068 - 10 - RST	50	68	10			
MOS050 - 069 - 06 - RX	50.80	69.85	6.35	2	2 3/4	1/4
MOS050 - 069 - 09 - RX	50.80	69.85	9.52	2	2 3/4	3/8
MOS050 - 069 - 12 - RX	50.80	69.85	12.70	2	2 3/4	1/2
MOS050 - 070 - 08 - R	50	70	8			
MOS050 - 070 - 10 - R	50	70	10			
MOS050 - 070 - 10 - RST	50	70	10			
MOS050 - 070 - 12 - R	50	70	12			
MOS050 - 072 - 08 - R	50	72	8			
MOS050 - 072 - 08 - RST	50	72	8			
MOS050 - 072 - 10 - R	50	72	10			
MOS050 - 072 - 10 - RST	50	72	10			
MOS050 - 072 - 12 - R	50	72	12			
MOS050 - 072 - 12 - RST	50	72	12			
MOS050 - 075 - 10 - R	50	75	10			
MOS050 - 076 - 10 - R	50	76	10			
MOS050 - 076 - 12 - RX	50.80	76.20	12.70	2	3	1/2
MOS050 - 080 - 08 - R	50	80	8			
MOS050 - 080 - 08 - RST	50	80	8			
MOS050 - 080 - 10 - R	50	80	10			
MOS050 - 080 - 10 - RST	50	80	10			
MOS050 - 080 - 12 - R	50	80	12			
MOS050 - 080 - 13 - R	50	80	13			
MOS050 - 080 - 13 - RST	50	80	13			
MOS050 - 085 - 10 - R	50	85	10			
MOS050 - 090 - 10 - MST	50	90	10			
MOS050 - 090 - 10 - R	50	90	10			
MOS050 - 090 - 10 - RST	50	90	10			
MOS052 - 068 - 08 - R	52	68	8			
MOS052 - 068 - 08 - RST	52	68	8			
MOS052 - 070 - 09 - RST	52	70	9			
MOS052 - 072 - 08 - R	52	72	8			
MOS052 - 072 - 08 - RST	52	72	8			

For availability of additional sizes not listed, please inquire.



Metric Nitrile Oil Seal Dimensional Data (Continued)

(Inch Standard Dimensions Specified Where Applicable – Part Number Identified with an “X” Suffix)

Part Number	Dimensions					
	Millimeters			Inches (Standard)		
	Inside Diameter	Outside Diameter	Width	Inside Diameter	Outside Diameter	Width
MOS052 - 072 - 10 - R	52	72	10			
MOS052 - 072 - 10 - RST	52	72	10			
MOS052 - 073 - 09 - RX	52.38	73.03	9.52	2 1/16	2 7/8	3/8
MOS052 - 075 - 10 - R	52	75	10			
MOS052 - 076 - 09 - RX	52.38	76.20	9.52	2 1/16	3	3/8
MOS052 - 080 - 10 - R	52	80	10			
MOS052 - 085 - 10 - R	52	85	10			
MOS053 - 068 - 07 - RX	53.97	68.26	7.93	2 1/8	2 11/16	5/16
MOS053 - 068 - 10 - R	53	68	10			
MOS053 - 073 - 09 - RX	53.97	73.03	9.50	2 1/8	2 7/8	3/8
MOS053 - 076 - 12 - RX	53.97	76.20	12.70	2 1/8	3	1/2
MOS054 - 072 - 05 - R	54	72	5			
MOS054 - 072 - 10 - R	54	72	10			
MOS054 - 072 - 10 - RST	54	72	10			
MOS054 - 085 - 10 - RST	54	85	10			
MOS055 - 068 - 08 - R	55	68	8			
MOS055 - 068 - 08 - RST	55	68	8			
MOS055 - 070 - 08 - R	55	70	8			
MOS055 - 070 - 08 - RST	55	70	8			
MOS055 - 070 - 10 - R	55	70	10			
MOS055 - 072 - 08 - R	55	72	8			
MOS055 - 072 - 08 - RST	55	72	8			
MOS055 - 072 - 10 - R	55	72	10			
MOS055 - 072 - 10 - RST	55	72	10			
MOS055 - 072 - 12 - R	55	72	12			
MOS055 - 075 - 10 - R	55	75	10			
MOS055 - 075 - 10 - RST	55	75	10			
MOS055 - 075 - 12 - R	55	75	12			
MOS055 - 076 - 12 - RST	55	76	12			
MOS055 - 078 - 10 - R	55	78	10			
MOS055 - 078 - 12 - RST	55	78	12			
MOS055 - 080 - 08 - R	55	80	8			
MOS055 - 080 - 08 - RST	55	80	8			
MOS055 - 080 - 10 - R	55	80	10			
MOS055 - 080 - 10 - RST	55	80	10			
MOS055 - 080 - 12 - R	55	80	12			
MOS055 - 080 - 13 - R	55	80	13			
MOS055 - 085 - 08 - R	55	85	8			
MOS055 - 085 - 10 - R	55	85	10			
MOS055 - 085 - 10 - RST	55	85	10			
MOS055 - 090 - 10 - R	55	90	10			
MOS055 - 090 - 10 - RST	55	90	10			
MOS055 - 100 - 10 - RST	55	100	10			
MOS055 - 100 - 12 - R	55	100	12			
MOS056 - 070 - 08 - R	56	70	8			
MOS056 - 072 - 08 - R	56	72	8			
MOS056 - 072 - 10 - R	56	72	10			
MOS056 - 085 - 08 - R	56	85	8			
MOS057 - 076 - 09 - RX	57.15	76.20	9.50	2 1/4	3	3/8
MOS057 - 082 - 12 - RX	57.15	85.55	12.70	2 1/4	3 1/4	1/2
MOS057 - 085 - 12 - RX	57.15	85.72	12.70	2 1/4	3 3/8	1/2
MOS058 - 072 - 08 - R	72	72	8			
MOS058 - 075 - 05 - R	75	75	5			
MOS058 - 080 - 08 - R	80	80	8			
MOS058 - 080 - 10 - R	58	80	10			

For availability of additional sizes not listed, please inquire.



Metric Nitrile Oil Seal Dimensional Data (Continued)

(Inch Standard Dimensions Specified Where Applicable – Part Number Identified with an “X” Suffix)

Part Number	Dimensions					
	Millimeters			Inches (Standard)		
	Inside Diameter	Outside Diameter	Width	Inside Diameter	Outside Diameter	Width
MOS058 - 080 - 10 - RST	58	80	10			
MOS058 - 080 - 13 - RST	58	80	13			
MOS058 - 085 - 10 - R	58	85	10			
MOS058 - 090 - 10 - R	58	90	10			
MOS060 - 072 - 08 - M	60	72	8			
MOS060 - 075 - 08 - R	60	75	8			
MOS060 - 075 - 08 - RST	60	75	8			
MOS060 - 075 - 10 - R	60	75	10			
MOS060 - 078 - 10 - R	60	78	10			
MOS060 - 080 - 07 - RST	60	80	7			
MOS060 - 080 - 08 - R	60	80	8			
MOS060 - 080 - 08 - RST	60	80	8			
MOS060 - 080 - 08 - RSTD	60	80	8			
MOS060 - 080 - 10 - R	60	80	10			
MOS060 - 080 - 10 - RST	60	80	10			
MOS060 - 080 - 12 - R	60	80	12			
MOS060 - 080 - 12 - RST	60	80	12			
MOS060 - 080 - 13 - R	60	80	13			
MOS060 - 085 - 08 - R	60	85	8			
MOS060 - 085 - 08 - RST	60	85	8			
MOS060 - 085 - 10 - R	60	85	10			
MOS060 - 085 - 10 - RST	60	85	10			
MOS060 - 085 - 12 - R	60	85	12			
MOS060 - 090 - 08 - R	60	90	8			
MOS060 - 090 - 10 - R	60	90	10			
MOS060 - 090 - 10 - RST	60	90	10			
MOS060 - 090 - 13 - R	60	90	13			
MOS060 - 095 - 10 - R	60	95	10			
MOS060 - 095 - 10 - RST	60	95	10			
MOS060 - 100 - 10 - R	60	100	10			
MOS060 - 100 - 13 - R	60	100	13			
MOS060 - 110 - 13 - R	60	110	13			
MOS062 - 080 - 09 - RST	62	80	9			
MOS062 - 080 - 10 - R	62	80	10			
MOS062 - 082 - 10 - R	62	82	10			
MOS062 - 085 - 10 - R	62	85	10			
MOS062 - 085 - 10 - RST	62	85	10			
MOS062 - 090 - 10 - R	62	90	10			
MOS062 - 090 - 10 - RST	62	90	10			
MOS062 - 095 - 10 - R	62	95	10			
MOS062 - 100 - 10 - R	62	100	10			
MOS062 - 100 - 12 - R	62	100	12			
MOS063 - 082 - 09 - RX	63.50	82.55	9.52	2 1/2	3 1/4	3/8
MOS063 - 082 - 12 - RX	63.50	82.55	12.70	2 1/2	3 1/4	1/2
MOS063 - 085 - 10 - R	63	85	10			
MOS063 - 085 - 10 - RST	63	85	10			
MOS063 - 085 - 12 - RX	63.50	85.72	12.70	2 1/2	3 3/8	1/2
MOS063 - 088 - 09 - RX	63.50	88.90	9.52	2 1/2	3 1/2	3/8
MOS063 - 090 - 10 - R	63	90	10			
MOS064 - 080 - 08 - R	64	80	8			
MOS064 - 080 - 08 - RST	64	80	8			
MOS064 - 085 - 10 - R	64	85	10			
MOS065 - 080 - 08 - R	65	80	8			
MOS065 - 080 - 08 - RST	65	80	8			
MOS065 - 080 - 10 - R	65	80	10			

For availability of additional sizes not listed, please inquire.



Metric Nitrile Oil Seal Dimensional Data (Continued)

(Inch Standard Dimensions Specified Where Applicable – Part Number Identified with an “X” Suffix)

Part Number	Dimensions					
	Millimeters			Inches (Standard)		
	Inside Diameter	Outside Diameter	Width	Inside Diameter	Outside Diameter	Width
MOS065 - 080 - 10 - RST	65	80	10			
MOS065 - 080 - 12 - R	65	80	12			
MOS065 - 085 - 09 - RX	65.09	85.73	9.52	2 5/16	3 3/8	3/8
MOS065 - 085 - 10 - M	65	85	10			
MOS065 - 085 - 10 - R	65	85	10			
MOS065 - 085 - 10 - RST	65	85	10			
MOS065 - 085 - 12 - R	65	85	12			
MOS065 - 085 - 12 - RST	65	85	12			
MOS065 - 088 - 12 - RST	65	88	12			
MOS065 - 090 - 10 - R	65	90	10			
MOS065 - 090 - 10 - RST	65	90	10			
MOS065 - 090 - 12 - R	65	90	12			
MOS065 - 090 - 13 - R	65	90	13			
MOS065 - 095 - 10 - R	65	95	10			
MOS065 - 095 - 13 - R	65	95	13			
MOS065 - 100 - 10 - R	65	100	10			
MOS065 - 100 - 10 - RST	65	100	10			
MOS065 - 100 - 12 - R	65	100	12			
MOS065 - 100 - 12 - RST	65	100	12			
MOS065 - 110 - 10 - R	65	110	10			
MOS066 - 085 - 09 - RX	66.67	85.73	9.52	2 5/8	3 3/8	3/8
MOS068 - 085 - 10 - RST	68	85	10			
MOS068 - 090 - 10 - R	68	90	10			
MOS068 - 090 - 10 - RST	68	90	10			
MOS068 - 100 - 10 - R	68	100	10			
MOS069 - 088 - 09 - RX	69.85	88.90	9.52	2 3/4	3 1/2	3/8
MOS069 - 095 - 12 - RX	69.85	95.25	12.70	2 3/4	3 3/4	1/2
MOS069 - 101 - 12 - RX	69.85	101.60	12.70	2 3/4	4	1/2
MOS070 - 085 - 08 - R	70	85	8			
MOS070 - 085 - 08 - RST	70	85	8			
MOS070 - 090 - 10 - M	70	90	10			
MOS070 - 090 - 10 - R	70	90	10			
MOS070 - 090 - 10 - RST	70	90	10			
MOS070 - 090 - 12 - R	70	90	12			
MOS070 - 090 - 12 - RST	70	90	12			
MOS070 - 090 - 13 - R	70	90	13			
MOS070 - 092 - 12 - RST	70	92	12			
MOS070 - 095 - 10 - R	70	95	10			
MOS070 - 095 - 12 - R	70	95	12			
MOS070 - 095 - 13 - R	70	95	13			
MOS070 - 100 - 10 - R	70	100	10			
MOS070 - 100 - 10 - RST	70	100	10			
MOS070 - 100 - 12 - R	70	100	12			
MOS070 - 100 - 12 - RST	70	100	12			
MOS070 - 100 - 13 - R	70	100	13			
MOS070 - 105 - 13 - R	70	105	13			
MOS070 - 110 - 08 - R	70	110	8			
MOS070 - 110 - 10 - RST	70	110	10			
MOS070 - 110 - 12 - R	70	110	12			
MOS070 - 110 - 13 - R	70	110	13			
MOS070 - 120 - 13 - R	70	120	13			
MOS072 - 090 - 08 - RST	72	90	8			
MOS072 - 095 - 10 - R	72	95	10			
MOS072 - 095 - 10 - RST	72	95	10			
MOS072 - 095 - 13 - R	72	95	13			

For availability of additional sizes not listed, please inquire.



Metric Nitrile Oil Seal Dimensional Data (Continued)

(Inch Standard Dimensions Specified Where Applicable – Part Number Identified with an “X” Suffix)

Part Number	Dimensions					
	Millimeters			Inches (Standard)		
	Inside Diameter	Outside Diameter	Width	Inside Diameter	Outside Diameter	Width
MOS072 - 100 - 10 - R	72	100	10			
MOS072 - 100 - 12 - R	72	100	12			
MOS073 - 092 - 09 - RX	73.03	92.08	9.52	2 7/8	3 5/8	3/8
MOS074 - 095 - 09 - RX	74.61	95.25	9.52	2 15/16	3 3/4	3/8
MOS075 - 090 - 08 - R	75	90	8			
MOS075 - 090 - 08 - RST	75	90	8			
MOS075 - 090 - 10 - R	75	90	10			
MOS075 - 090 - 10 - RST	75	90	10			
MOS075 - 095 - 10 - R	75	95	10			
MOS075 - 095 - 10 - RST	75	95	10			
MOS075 - 095 - 12 - R	75	95	12			
MOS075 - 095 - 12 - RST	75	95	12			
MOS075 - 095 - 03 - R	75	95	13			
MOS075 - 100 - 10 - R	75	100	10			
MOS075 - 100 - 10 - RST	75	100	10			
MOS075 - 100 - 12 - R	75	100	12			
MOS075 - 100 - 12 - RST	75	100	12			
MOS075 - 100 - 13 - R	75	100	13			
MOS075 - 105 - 12 - R	75	105	12			
MOS075 - 105 - 13 - RST	75	105	13			
MOS075 - 110 - 10 - RST	75	110	10			
MOS075 - 110 - 12 - R	75	110	12			
MOS075 - 110 - 13 - R	75	110	13			
MOS075 - 120 - 12 - R	75	120	12			
MOS076 - 095 - 09 - RX	76.20	95.25	9.52	3	3 3/4	3/8
MOS078 - 100 - 10 - R	78	100	10			
MOS078 - 100 - 10 - RST	78	100	10			
MOS078 - 100 - 13 - R	78	100	13			
MOS078 - 110 - 12 - R	78	110	12			
MOS080 - 095 - 08 - R	80	95	8			
MOS080 - 100 - 07 - RST	80	100	7			
MOS080 - 100 - 10 - R	80	100	10			
MOS080 - 100 - 10 - RST	80	100	10			
MOS080 - 100 - 12 - R	80	100	12			
MOS080 - 100 - 13 - R	80	100	13			
MOS080 - 100 - 13 - RST	80	100	13			
MOS080 - 105 - 10 - R	80	105	10			
MOS080 - 105 - 13 - R	80	105	13			
MOS080 - 110 - 10 - R	80	110	10			
MOS080 - 110 - 10 - RST	80	110	10			
MOS080 - 110 - 12 - R	80	110	12			
MOS080 - 110 - 12 - RST	80	110	12			
MOS080 - 110 - 13 - R	80	110	13			
MOS080 - 110 - 13 - RST	80	110	13			
MOS080 - 115 - 10 - R	80	115	10			
MOS080 - 115 - 13 - R	80	115	13			
MOS080 - 115 - 13 - RST	80	115	13			
MOS080 - 120 - 12 - R	80	120	12			
MOS080 - 120 - 13 - R	80	120	13			
MOS080 - 125 - 12 - R	80	125	12			
MOS080 - 130 - 13 - R	80	130	13			
MOS082 - 105 - 10 - RST	82	105	10			
MOS082 - 105 - 12 - R	82	105	12			
MOS082 - 105 - 13 - R	82	105	13			
MOS082 - 107 - 12 - RX	82.55	107.95	12.70	3 1/4	4 1/4	1/2

For availability of additional sizes not listed, please inquire.



Metric Nitrile Oil Seal Dimensional Data (Continued)

(Inch Standard Dimensions Specified Where Applicable – Part Number Identified with an “X” Suffix)

Part Number	Dimensions					
	Millimeters			Inches (Standard)		
	Inside Diameter	Outside Diameter	Width	Inside Diameter	Outside Diameter	Width
MOS082 - 110 - 12 - R	82	110	12			
MOS082 - 114 - 12 - RX	82.55	114.30	12.70	3 1/4	4 1/2	1/2
MOS084 - 100 - 13 - R	84	100	13			
MOS085 - 100 - 09 - M	85	100	9			
MOS085 - 102 - 13 - R	85	102	13			
MOS085 - 105 - 10 - R	85	105	10			
MOS085 - 105 - 13 - R	85	105	13			
MOS085 - 110 - 12 - R	85	110	12			
MOS085 - 110 - 12 - RST	85	110	12			
MOS085 - 110 - 13 - R	85	110	13			
MOS085 - 110 - 13 - RST	85	110	13			
MOS085 - 111 - 12 - RX	85.72	111.12	12.70	3 3/8	4 3/8	1/2
MOS085 - 115 - 13 - R	85	115	13			
MOS085 - 120 - 12 - R	85	120	12			
MOS085 - 120 - 12 - RST	85	120	12			
MOS085 - 125 - 12 - R	85	125	12			
MOS085 - 130 - 12 - RST	85	130	12			
MOS088 - 110 - 12 - R	88	110	12			
MOS088 - 114 - 12 - RX	88.90	114.30	12.70	3 1/2	4 1/2	1/2
MOS088 - 120 - 12 - RX	88.90	120.65	12.70	3 1/2	4 3/4	1/2
MOS088 - 120 - 14 - RSTX	88.90	120.65	14.28	3 1/2	4 3/4	9/16
MOS090 - 105 - 10 - R	90	105	10			
MOS090 - 110 - 08 - R	90	110	8			
MOS090 - 110 - 08 - RST	90	110	8			
MOS090 - 110 - 10 - R	90	110	10			
MOS090 - 110 - 10 - RST	90	110	10			
MOS090 - 110 - 12 - R	90	110	12			
MOS090 - 110 - 12 - RST	90	110	12			
MOS090 - 110 - 13 - R	90	110	13			
MOS090 - 110 - 13 - RST	90	110	13			
MOS090 - 115 - 13 - R	90	115	13			
MOS090 - 115 - 13 - RST	90	115	13			
MOS090 - 120 - 12 - R	90	120	12			
MOS090 - 120 - 12 - RST	90	120	12			
MOS090 - 120 - 13 - RST	90	120	13			
MOS090 - 125 - 13 - R	90	125	13			
MOS090 - 130 - 13 - R	90	130	13			
MOS095 - 110 - 12 - R	95	110	12			
MOS095 - 110 - 12 - RST	95	110	12			
MOS095 - 115 - 12 - RST	95	115	12			
MOS095 - 115 - 13 - EXT	95	115	13			
MOS095 - 115 - 13 - R	95	115	13			
MOS095 - 115 - 13 - RST	95	115	13			
MOS095 - 120 - 12 - R	95	120	12			
MOS095 - 120 - 12 - RST	95	120	12			
MOS095 - 120 - 12 - RX	95.25	120.65	12.70	3 3/4	4 3/4	1/2
MOS095 - 120 - 13 - R	95	120	13			
MOS095 - 125 - 12 - R	95	125	12			
MOS095 - 125 - 12 - RST	95	125	12			
MOS095 - 130 - 12 - R	95	130	12			
MOS096 - 112 - 10 - R	96	112	10			
MOS098 - 120 - 13 - R	98	120	13			
MOS100 - 115 - 09 - R	100	115	9			
MOS100 - 120 - 10 - R	100	120	10			
MOS100 - 120 - 10 - RS	100	120	10			

For availability of additional sizes not listed, please inquire.



Metric Nitrile Oil Seal Dimensional Data (Continued)

(Inch Standard Dimensions Specified Where Applicable – Part Number Identified with an “X” Suffix)

Part Number	Dimensions					
	Millimeters			Inches (Standard)		
	Inside Diameter	Outside Diameter	Width	Inside Diameter	Outside Diameter	Width
MOS100 - 120 - 12 - R	100	120	12			
MOS100 - 120 - 12 - RST	100	120	12			
MOS100 - 120 - 13 - R	100	120	13			
MOS100 - 125 - 12 - R	100	125	12			
MOS100 - 125 - 13 - R	100	125	13			
MOS100 - 125 - 13 - RST	100	125	13			
MOS100 - 130 - 10 - R	100	130	10			
MOS100 - 130 - 12 - MST	100	130	12			
MOS100 - 130 - 12 - R	100	130	12			
MOS100 - 130 - 12 - RST	100	130	12			
MOS100 - 130 - 13 - R	100	130	13			
MOS100 - 130 - 13 - RST	100	130	13			
MOS100 - 135 - 10 - RST	100	135	10			
MOS100 - 135 - 12 - RST	100	135	12			
MOS100 - 141 - 12 - R	100	140	12			
MOS100 - 140 - 13 - R	100	140	13			
MOS101 - 150 - 13 - R	100	150	13			
MOS101 - 127 - 12 - RX	101.60	127.00	12.70	4	5	1/2
MOS105 - 133 - 15 - RX	101.60	133.35	15.87	4	5 3/8	1/2
MOS105 - 125 - 13 - R	105	125	13			
MOS105 - 125 - 13 - RST	105	125	13			
MOS105 - 130 - 12 - R	105	130	12			
MOS105 - 130 - 12 - RST	105	130	12			
MOS105 - 130 - 13 - R	105	130	13			
MOS105 - 130 - 13 - RST	105	130	13			
MOS105 - 135 - 13 - R	105	135	13			
MOS105 - 135 - 14 - RST	105	135	14			
MOS105 - 140 - 12 - R	105	140	12			
MOS105 - 140 - 13 - R	105	140	13			
MOS105 - 145 - 16 - R	105	145	16			
MOS107 - 133 - 12 - RX	107.95	133.35	12.70	4 1/4	5 1/4	1/2
MOS107 - 136 - 12 - RX	107.95	136.45	12.70	4 1/4	5 3/8	1/2
MOS110 - 130 - 12 - R	110	130	12			
MOS110 - 130 - 12 - RST	110	130	12			
MOS110 - 130 - 13 - R	110	130	13			
MOS110 - 130 - 13 - RST	110	130	13			
MOS110 - 135 - 13 - R	110	135	13			
MOS110 - 140 - 12 - R	110	140	12			
MOS110 - 140 - 12 - RST	110	140	12			
MOS110 - 140 - 13 - R	110	140	13			
MOS110 - 140 - 13 - RST	110	140	13			
MOS110 - 145 - 13 - R	110	145	13			
MOS110 - 150 - 13 - R	110	150	13			
MOS110 - 150 - 13 - RST	110	150	13			
MOS110 - 150 - 15 - R	110	150	15			
MOS111 - 136 - 12 - RX	111.11	136.52	12.70	4 3/8	5 3/8	1/2
MOS114 - 140 - 13 - R	112	140	13			
MOS115 - 139 - 12 - RX	114.30	139.70	12.70	4 1/2	5 1/2	1/2
MOS115 - 130 - 12 - R	115	130	12			
MOS115 - 140 - 12 - R	115	140	12			
MOS115 - 140 - 12 - RST	115	140	12			
MOS115 - 140 - 13 - R	115	140	13			
MOS115 - 145 - 13 - R	115	145	13			
MOS115 - 145 - 14 - RST	115	145	14			
MOS120 - 150 - 12 - R	115	150	12			

For availability of additional sizes not listed, please inquire.



Metric Nitrile Oil Seal Dimensional Data (Continued)

(Inch Standard Dimensions Specified Where Applicable – Part Number Identified with an “X” Suffix)

Part Number	Dimensions					
	Millimeters			Inches (Standard)		
	Inside Diameter	Outside Diameter	Width	Inside Diameter	Outside Diameter	Width
MOS120 - 140 - 13 - R	120	140	13			
MOS120 - 146 - 12 - RX	120.65	146.05	12.70	4 3/4	5 3/4	1/2
MOS120 - 150 - 12 - R	120	150	12			
MOS120 - 150 - 12 - RST	120	150	12			
MOS120 - 150 - 13 - R	120	150	13			
MOS120 - 150 - 15 - RST	120	150	15			
MOS120 - 160 - 12 - R	120	160	12			
MOS120 - 160 - 15 - R	120	160	15			
MOS122 - 150 - 13 - R	122	150	13			
MOS125 - 150 - 12 - R	125	150	12			
MOS125 - 150 - 12 - RST	125	150	12			
MOS125 - 150 - 13 - R	125	150	13			
MOS125 - 155 - 14 - RST	125	155	14			
MOS125 - 160 - 12 - R	125	160	12			
MOS125 - 160 - 12 - RST	125	160	12			
MOS130 - 155 - 12 - RX	130.18	155.57	12.70	5 1/8	6 1/8	1/2
MOS130 - 160 - 12 - R	130	160	12			
MOS130 - 160 - 15 - R	130	160	15			
MOS130 - 160 - 15 - RST	130	160	15			
MOS130 - 170 - 12 - R	130	170	12			
MOS132 - 150 - 13 - R	132	150	13			
MOS135 - 160 - 12 - R	135	160	12			
MOS135 - 160 - 13 - R	135	160	13			
MOS135 - 160 - 14 - R	135	160	14			
MOS135 - 165 - 12 - R	135	165	12			
MOS135 - 170 - 12 - R	135	170	12			
MOS135 - 170 - 15 - R	135	170	15			
MOS139 - 165 - 12 - RX	139.70	165.10	12.70	5 1/2	6 1/2	1/2
MOS140 - 160 - 13 - R	140	160	13			
MOS140 - 170 - 12 - R	140	170	12			
MOS140 - 170 - 13 - R	140	170	13			
MOS140 - 170 - 15 - R	140	170	15			
MOS140 - 170 - 15 - RST	140	170	15			
MOS140 - 175 - 15 - RST	140	175	15			
MOS140 - 180 - 12 - R	140	180	12			
MOS142 - 168 - 12 - RX	142.87	168.27	12.70	5 5/8	6 5/8	1/2
MOS145 - 170 - 15 - R	145	170	15			
MOS145 - 175 - 15 - R	145	175	15			
MOS145 - 180 - 12 - R	145	180	12			
MOS150 - 170 - 15 - R	150	170	15			
MOS150 - 180 - 12 - R	150	180	12			
MOS150 - 180 - 13 - R	150	180	13			
MOS150 - 180 - 15 - R	150	180	15			
MOS150 - 180 - 15 - RST	150	180	15			
MOS152 - 177 - 12 - RX	152.40	177.80	12.70	6	7	1/2
MOS160 - 190 - 13 - R	160	190	13			
MOS160 - 190 - 15 - R	160	190	15			
MOS160 - 190 - 15 - RST	160	190	15			
MOS162 - 190 - 12 - R	162	190	12			
MOS165 - 190 - 13 - R	165	190	13			
MOS170 - 200 - 15 - MST	170	200	15			
MOS170 - 200 - 15 - R	170	200	15			
MOS170 - 200 - 15 - RST	170	200	15			
MOS175 - 200 - 15 - R	175	200	15			
MOS177 - 203 - 12 - RX	177.80	203.20	12.70	7	8	1/2

For availability of additional sizes not listed, please inquire.



Metric Nitrile Oil Seal Dimensional Data (Continued)

(Inch Standard Dimensions Specified Where Applicable – Part Number Identified with an “X” Suffix)

Part Number	Dimensions					
	Millimeters			Inches (Standard)		
	Inside Diameter	Outside Diameter	Width	Inside Diameter	Outside Diameter	Width
MOS180 - 200 - 15 - R	180	200	15			
MOS180 - 210 - 15 - R	180	210	15			
MOS180 - 210 - 15 - RST	180	210	15			
MOS180 - 220 - 15 - R	180	220	15			
MOS185 - 210 - 13 - R	185	210	13			
MOS190 - 220 - 12 - RST	190	220	12			
MOS190 - 220 - 15 - R	190	220	15			
MOS190 - 220 - 15 - RST	190	220	15			
MOS200 - 225 - 15 - R	200	225	15			
MOS200 - 230 - 15 - R	200	230	15			
MOS200 - 230 - 15 - RST	200	230	15			
MOS210 - 240 - 15 - R	210	240	15			
MOS215 - 250 - 16 - R	215	250	16			
MOS220 - 250 - 15 - R	220	250	15			
MOS220 - 250 - 15 - RST	220	250	15			
MOS240 - 270 - 15 - R	240	270	15			
MOS240 - 270 - 15 - RST	240	270	15			
MOS250 - 280 - 15 - RST	250	280	15			
MOS260 - 300 - 20 - R	260	300	20			
MOS260 - 300 - 20 - RST	260	300	20			
MOS280 - 320 - 20 - R	280	320	20			
MOS300 - 340 - 16 - R	300	340	16			
MOS300 - 340 - 20 - R	300	340	20			
MOS300 - 340 - 20 - RST	300	340	20			
MOS320 - 360 - 20 - RST	320	360	20			
MOS340 - 380 - 20 - RST	340	380	20			
MOS400 - 440 - 20 - R	400	440	20			
MOS440 - 480 - 20 - R	440	480	20			

For availability of additional sizes not listed, please inquire.



Metric Fluoroelastomer Oil Seal Dimensional Data

Part Number	Dimensions (Millimeters)		
	Inside Diameter	Outside Diameter	Width
MOSV006 - 016 - 07 - R	6	16	7
MOSV010 - 026 - 07 - R	10	26	7
MOSV012 - 022 - 07 - R	12	22	7
MOSV014 - 024 - 07 - R	14	24	7
MOSV020 - 030 - 07 - R	20	30	7
MOSV020 - 032 - 07 - R	20	32	7
MOSV020 - 035 - 07 - RB	20	35	7
MOSV020 - 035 - 07 - RST	20	35	7
MOSV020 - 040 - 07 - R	20	40	7
MOSV020 - 047 - 07 - R	20	47	7
MOSV025 - 037 - 07 - R	25	37	7
MOSV025 - 040 - 10 - R	25	40	10
MOSV025 - 042 - 08 - R	25	42	8
MOSV025 - 045 - 10 - R	25	45	10
MOSV025 - 047 - 07 - RST	25	47	7
MOSV025 - 052 - 10 - R	25	52	10
MOSV028 - 047 - 10 - R	28	47	10
MOSV030 - 040 - 07 - R	30	40	7
MOSV030 - 045 - 08 - R	30	45	8
MOSV030 - 045 - 10 - R	30	45	10
MOSV030 - 052 - 10 - R	30	52	10
MOSV032 - 050 - 10 - R	32	50	10
MOSV032 - 052 - 10 - R	32	52	10
MOSV035 - 047 - 07 - R	35	47	7
MOSV035 - 050 - 07 - R	35	50	7
MOSV035 - 050 - 10 - R	35	50	10
MOSV035 - 052 - 10 - R	35	52	10
MOSV035 - 055 - 10 - RST	35	55	10
MOSV035 - 062 - 10 - R	35	62	10
MOSV040 - 052 - 07 - RST	40	52	7
MOSV040 - 058 - 10 - R	40	58	10
MOSV040 - 068 - 10 - R	40	68	10
MOSV040 - 080 - 10 - R	40	80	10
MOSV042 - 055 - 07 - RST	42	55	7
MOSV045 - 065 - 08 - RST	45	65	8
MOSV050 - 062 - 07 - R	50	62	7
MOSV050 - 068 - 10 - R	50	68	10
MOSV050 - 080 - 08 - R	50	80	8
MOSV055 - 075 - 10 - R	55	75	10
MOSV055 - 090 - 10 - RST	55	90	10
MOSV055 - 100 - 10 - R	55	100	10
MOSV060 - 082 - 12 - RST	60	82	12
MOSV060 - 085 - 10 - R	60	85	10
MOSV065 - 080 - 10 - R	65	80	10
MOSV065 - 085 - 08 - R	65	85	8
MOSV065 - 090 - 10 - R	65	90	10
MOSV068 - 090 - 10 - RST	68	90	10
MOSV070 - 090 - 10 - RST	70	90	10
MOSV090 - 115 - 12 - R	90	115	12
MOSV095 - 115 - 13 - REXT	95	115	13
MOSV100 - 125 - 12 - R	100	125	12
MOSV100 - 130 - 12 - R	100	130	12
MOSV125 - 150 - 12 - RST	125	150	12
MOSV130 - 160 - 13 - R	130	160	13
MOSV160 - 190 - 15 - R	160	190	15
MOSV170 - 190 - 15 - R	170	190	15
MOSV200 - 230 - 15 - RST	200	230	15

Save Time!
Fax us your orders.
or quote requests.

Or –
Place your orders
On-Line at www.callapg.com

For availability of additional sizes not listed, please inquire.



Metric V Seals

V Seals are mounted directly on and rotate with the shaft, and the lip seals against the counterface. The body holds the lip in position and simultaneously seals against the shaft. As a result of the rotation of the V Seal, liquids, greases, oils, dirt, sand, and other solid materials are deflected from the sealing point. Therefore, the V Seal functions as both a deflector and lip seal. Since V Seals are made entirely of rubber, they are elastic and permit considerable misalignment of the shaft. This is not the case in most other shaft seals. V Seals are used with spherical rollers and plain bearings because they can absorb misalignment. V Seals are often used as a supplement with other seals to protect the shaft and the radial seal lip against dust, dirt, and other contaminants. They can also be used to supplement a stuffing box and labyrinth seals. V Seals at APG are available in both 60 Durometer Nitrile and 60 Durometer Fluoroelastomer.

Type A

Features a straight back that reduces spare requirements.



Type S

Features an inclined back.



Type L

Features a straight back with a chamfered corner.



Metric Nitrile V Seal Dimensional Data

Part Number	Shaft Diameter (mm)	Internal Ring Diameter (mm)	Profile Height (mm)
FVB - 0006 - A	5.5 - 6.5	5	2
FVB - 0006 - S	5.5 - 6.5	5	2
FVB - 0010 - A	9.5 - 11.5	9	3
FVB - 0012 - A	11.5 - 13.5	10.5	3
FVB - 0012 - S	11.5 - 13.5	10.5	3
FVB - 0014 - A	13.5 - 15.5	12.5	3
FVB - 0014 - S	13.5 - 15.5	12.5	3
FVB - 0016 - S	15.5 - 17.5	14	3
FVB - 0018 - A	17.5 - 19	16	3
FVB - 0018 - S	17.5 - 19	16	3
FVB - 0020 - A	19 - 21	18	4
FVB - 0020 - S	19 - 21	18	4
FVB - 0022 - A	21 - 24	20	4
FVB - 0022 - S	21 - 24	20	4
FVB - 0025 - A	24 - 27	22	4
FVB - 0025 - S	24 - 27	22	4
FVB - 0028 - A	27 - 29	25	4
FVB - 0028 - S	27 - 29	25	4
FVB - 0030 - S	29 - 31	27	4
FVB - 0032 - S	31 - 33	29	4
FVB - 0035 - A	33 - 36	31	4
FVB - 0035 - S	33 - 36	31	4
FVB - 0038 - A	36 - 38	34	4
FVB - 0040 - A	38 - 43	36	5
FVB - 0040 - S	38 - 43	36	5

Part Number	Shaft Diameter (mm)	Internal Ring Diameter (mm)	Profile Height (mm)
FVB - 0045 - A	43 - 48	40	5
FVB - 0045 - S	43 - 48	40	5
FVB - 0050 - A	48 - 53	45	5
FVB - 0050 - S	48 - 53	45	5
FVB - 0055 - A	53 - 58	49	5
FVB - 0055 - S	53 - 58	49	5
FVB - 0060 - A	58 - 63	54	5
FVB - 0060 - S	58 - 63	54	5
FVB - 0065 - A	63 - 68	58	6
FVB - 0065 - S	63 - 68	58	5
FVB - 0070 - A	68 - 73	63	6
FVB - 0070 - S	68 - 73	63	6
FVB - 0075 - A	73 - 78	67	6
FVB - 0075 - S	73 - 78	67	6
FVB - 0080 - A	78 - 83	72	6
FVB - 0080 - S	78 - 83	72	6
FVB - 0085 - A	83 - 88	76	6
FVB - 0085 - S	83 - 88	76	6
FVB - 0090 - A	88 - 93	81	6
FVB - 0090 - S	88 - 93	81	6
FVB - 0095 - A	93 - 98	85	6
FVB - 0095 - S	93 - 98	85	6
FVB - 0100 - A	98 - 105	90	6
FVB - 0100 - S	98 - 105	90	6
FVB - 0110 - A	105 - 115	99	7

For availability of additional sizes not listed, please inquire.



Metric Nitrile V Seal Dimensional Data (Continued)

Part Number	Shaft Diameter (mm)	Internal Ring Diameter (mm)	Profile Height (mm)
FVB - 0110 - S	105 - 115	99	7
FVB - 0120 - A	115 - 125	108	7
FVB - 0120 - S	115 - 125	108	7
FVB - 0130 - A	125 - 135	117	7
FVB - 0130 - S	125 - 135	117	7
FVB - 0140 - A	135 - 145	126	7
FVB - 0140 - S	135 - 145	126	7
FVB - 0150 - A	145 - 155	135	7
FVB - 0150 - S	145 - 155	135	7
FVB - 0160 - A	155 - 165	144	8
FVB - 0160 - S	155 - 165	144	8
FVB - 0170 - A	165 - 175	153	8

Part Number	Shaft Diameter (mm)	Internal Ring Diameter (mm)	Profile Height (mm)
FVB - 0170 - S	165 - 175	153	8
FVB - 0180 - A	175 - 185	162	8
FVB - 0180 - S	175 - 185	162	8
FVB - 0190 - A	185 - 195	171	8
FVB - 0190 - S	185 - 195	171	8
FVB - 0199 - A	195 - 210	180	8
FVB - 0250 - A	235 - 265	225	15
FVB - 0275 - A	265 - 290	247	15
FVB - 0375 - A	365 - 390	337	15
FVB - 0550 - A	530 - 580	495	15
FVB - 0750 - A	745 - 785	705	15

For availability of additional sizes not listed, please inquire.

Metric Fluoroelastomer V Seal Dimensional Data

Part Number	Shaft Diameter (mm)	Internal Ring Diameter (mm)	Profile Height (mm)
FVV - 0006 - A	5.5 - 6.5	5	2
FVV - 0006 - S	5.5 - 6.5	5	2
FVV - 0007 - S	6.5 - 8.0	6	2
FVV - 0008 - A	7.9 - 9.4	7	2
FVV - 0012 - A	11.5 - 13.5	10.5	3
FVV - 0012 - S	11.5 - 13.5	10.5	3
FVV - 0013 - A	12.5 - 13.5	11.7	3
FVV - 0014 - S	13.5 - 15.5	12.5	3
FVV - 0018 - A	17.5 - 19	16	3
FVV - 0018 - S	17.5 - 19	16	3
FVV - 0020 - A	19 - 21	18	4
FVV - 0020 - S	19 - 21	18	4
FVV - 0022 - A	21 - 24	20	4
FVV - 0022 - S	21 - 24	20	4
FVV - 0025 - A	24 - 27	22	4
FVV - 0025 - S	24 - 27	22	4
FVV - 0028 - A	27 - 29	25	4
FVV - 0028 - S	27 - 29	25	4
FVV - 0030 - A	29 - 31	27	4
FVV - 0030 - S	29 - 31	27	4
FVV - 0032 - S	31 - 33	29	4
FVV - 0035 - A	33 - 36	31	4
FVV - 0035 - S	33 - 36	31	4
FVV - 0038 - A	36 - 38	34	4
FVV - 0040 - A	38 - 43	36	5
FVV - 0040 - S	38 - 43	36	5
FVV - 0045 - A	43 - 48	40	5
FVV - 0045 - S	43 - 48	40	5
FVV - 0050 - A	48 - 53	45	5
FVV - 0050 - S	48 - 53	45	5
FVV - 0055 - A	53 - 58	49	5
FVV - 0060 - A	58 - 63	54	5
FVV - 0060 - S	58 - 63	54	5
FVV - 0065 - A	63 - 68	58	6
FVV - 0065 - S	63 - 68	58	5

Part Number	Shaft Diameter (mm)	Internal Ring Diameter (mm)	Profile Height (mm)
FVV - 0070 - A	68 - 73	63	6
FVV - 0070 - S	68 - 73	63	6
FVV - 0075 - A	73 - 78	67	6
FVV - 0075 - S	73 - 78	67	6
FVV - 0080 - A	78 - 83	72	6
FVV - 0080 - S	78 - 83	72	6
FVV - 0085 - A	83 - 88	76	6
FVV - 0085 - S	83 - 88	76	6
FVV - 0090 - A	88 - 93	81	6
FVV - 0090 - S	88 - 93	81	6
FVV - 0095 - A	93 - 98	85	6
FVV - 0095 - S	93 - 98	85	6
FVV - 0100 - A	98 - 105	90	6
FVV - 0100 - S	98 - 105	90	6
FVV - 0110 - A	105 - 115	99	7
FVV - 0110 - S	105 - 115	99	7
FVV - 0120 - A	115 - 125	108	7
FVV - 0120 - S	115 - 125	108	7
FVV - 0130 - A	125 - 135	117	7
FVV - 0130 - S	125 - 135	117	7
FVV - 0140 - A	135 - 145	126	7
FVV - 0140 - S	135 - 145	126	7
FVV - 0150 - A	145 - 155	135	7
FVV - 0150 - S	145 - 155	135	7
FVV - 0160 - A	155 - 165	144	8
FVV - 0160 - S	155 - 165	144	8
FVV - 0170 - A	165 - 175	153	8
FVV - 0170 - L	165 - 175	153	6.5
FVV - 0170 - S	165 - 175	153	8
FVV - 0180 - A	175 - 185	162	8
FVV - 0180 - S	175 - 185	162	8
FVV - 0190 - A	185 - 195	171	8
FVV - 0190 - S	185 - 195	171	8
FVV - 0199 - A	195 - 210	180	8

For availability of additional sizes not listed, please inquire.



Metric Bonded Seals

Offer extremely dependable sealing at high and low pressures with superior high and low temperature capabilities. Constructed with a metal ring that prevents excessive rubber compression and limits deformation of the elastomeric element. Also reduce bolt torque with no loss of tightening load, resulting in excellent pressure gaskets. APG Metric Bonded Seals are made of Nitrile with a metal ring.



Metric Bonded Seal Dimensional Data

Part Number	Inside Diameter (mm)	Outside Diameter (mm)	Metal Thickness (mm)
MBS - 04.5 - 07.0 - 1.0	4.50	7.00	1.00
MBS - 05.7 - 10.0 - 1.0	5.70	10.00	1.00
MBS - 06.2 - 09.2 - 1.0	6.20	9.20	1.00
MBS - 06.7 - 10.0 - 1.0	6.70	10.00	1.00
MBS - 07.1 - 12.0 - 1.0	7.10	12.00	1.00
MBS - 08.7 - 13.0 - 1.0	8.70	13.00	1.00
MBS - 08.7 - 14.0 - 1.0	8.70	14.00	1.00
MBS - 09.3 - 13.3 - 1.0	9.30	13.30	1.00
MBS - 12.7 - 20.0 - 1.5	12.70	20.00	1.50
MBS - 13.7 - 20.6 - 2.1	13.70	20.60	2.10
MBS - 16.7 - 24.0 - 1.5	16.70	24.00	1.50
MBS - 18.7 - 26.0 - 1.5	18.70	26.00	1.50
MBS - 19.7 - 26.9 - 2.5	19.70	26.90	2.50
MBS - 22.7 - 30.0 - 2.0	22.70	30.00	2.00
MBS - 23.5 - 31.8 - 2.5	23.50	31.80	2.50
MBS - 26.7 - 35.0 - 2.0	26.70	35.00	2.00
MBS - 27.0 - 35.0 - 2.5	27.00	35.00	2.50
MBS - 27.2 - 36.0 - 2.0	27.20	36.00	2.00
MBS - 31.0 - 39.0 - 2.0	31.00	39.00	2.00

For availability of additional sizes not listed, please inquire.



“America’s Most Responsive Warehouse”

Let us show you why!



The APG Product Line

Industrial Hose Couplings

Ball Valves
Cam and Groove
EVER-TITE®
Tough-TITE™
U-TITE
Clamps
Double Bolt
High Pressure
Spiral
Steel Bands
Preformed
Open-end
Worm Gear
Combination Nipples
Foot Valves
Garden Hose
Gate Valves
Ground Joint
Menders
Nipples
Pin-lug
Push-on Hose Barbs
Standard Hose Barbs
Quick Disconnects
Sandblast
Strainers
Universal Crowfoot

Pressure Gauges

Dry – Black Steel w/Brass
Connections
Liquid Filled
Stainless Steel Case w/ Brass
Connections
All Stainless Steel

O-Rings

Aflas® 80 Durometer
Chloroprene 70 Durometer
E.P.R. 70 Durometer
Standard & Metric
E.P.R. Peroxide Cured
Standard 80 Durometer
Fluoroelastomer – Black
Standard 75 & 90 Durometer
Metric 75 & 90 Durometer
Fluoroelastomer – Brown
75 & 90 Durometer
Fluorosilicone 70 Durometer
Highly Saturated Nitrile
Green 70 Durometer
Standard & Metric
Black 90 Durometer
Blue TFE Coated 70
Durometer

O-Rings (continued)

Nitrile - Black
Standard 50, 70, & 90
Durometer
Metric 70 & 90 Durometer
Nitrile - Black - Peroxide Cured
90 Durometer
Nitrile - White 70 Durometer
PTFE
Silicone 70 Durometer
Standard & Metric
Square Cut Rings
Nitrile 70 Durometer
Teflon® Encapsulated
Viton® Core
Silicone Core
Urethane 70 & 90 Durometer
4 Lobe Q-Rings
Nitrile 70 Durometer
Fluoroelastomer 75
Durometer
Minnesota Quad-Rings®
*Available at ENA (an APG
subsidiary)*
Nitrile 70 Durometer
Viton® 70 Durometer
Non-Standard Sizes
(Vulcanized)
Kits
Standard
Metric
Splicing
Specialty
O-Ring Accessories
Measuring Devices
(Cones)
(Tapes)
(Sizing Charts)
(Gauges)
(Compound Identifiers)
Lubricants
Picks

Back-Up Rings

PTFE
Solid
Split
Spiral
Contoured Back-Up Rings
Nitrile 90 Durometer
Fluoroelastomer 90
Durometer
Leather

O-Ring Cord

Aflas® 75 Durometer
E.P.R. 70 Durometer
Fluoroelastomer - Black
Inch 75 & 90 Durometer
Metric 75 Durometer
Square 75 Durometer
Fluoroelastomer – Brown
75 Durometer
Neoprene 70 Durometer
Neoprene Sponge - Closed Cell
Nitrile
Inch – 50, 70, & 90 Durometer
Metric – 70 & 90 Durometer
Square – 70 Durometer
Silicone 70 Durometer
4-Lobe Q-Ring
Nitrile 70 Durometer
Fluoroelastomer 75
Durometer

Extrusions

EPDM
Fluoroelastomer
Neoprene - White
Neoprene Sponge - Closed Cell
Silicone - Gray

Hydraulic Seals

Loaded Lip Seals
Metal Clad Wipers
Metric Bonded Seals
Metric Compact Piston Seals
Metric Oil Seals
Metric U-Cups
Metric V Seals
Metric Wipers
Piston Cups
Rod Wipers
T-Seals
U-Cups
Vee Packings
Wear Rings
Wear Strips
WV Rings

Custom Molded Rubber Products

Mandrel Built & Lathe Cut
Products
Rubber Roll Coverings
Rubber / Fabric Products
Rubber to Metal Bonding



The APG Product Line (continued)

Sheet Material

Black Rubber Sponge -
Open Cell
Black Rubber - Cloth Inserted
Butyl
Chipboard
Compressed Non-Asbestos
Cork
Cork and Buna-N
Cork and Neoprene
Cork and Neoprene Spiral
Ribbon
Cork and Synthetic Rubber -
Adhesive Backed
EPDM
Felt – Gray, White, & Green
Fibre-Cork
Fiberglass Cloth
Fiberglass Wire Inserted
Tacky Cloth
Filled PTFE
Fish Paper
Flexible Graphite
Fluoroelastomer
Fluoroelastomer - Nylon Inserted
Gum Rubber
Hypalon
Leather
Koroseal®
Neoprene 40, 60, 70, &
72 Durometer
Neoprene Cotton and
Nylon Inserted
Nitrile 50, 60, & 90 Durometer
Nitrile - White 50-65 Durometer
Nitrile Sponge - Closed Cell
Nitrile Nylon Inserted
Nitrile - Transformer Grade
Nomex® Paper
Nylon
PCTFE
Plant (Vegetable) Fiber
Red Rubber
Silicone 50 and 70 Durometer
Silicone Sponge
Tank Gasket
TFE and TFE Glass Filled
Vinyl Matting
Vulcanized Fiber –
Bone Hard - Red

Fabrication

Gaskets
Water-jet Cut
Steel Rule Die Cut
Industrial Glass

Fabrication (continued)

Pipeline Scraper Discs
Stripping (with optional
adhesive backing)
Tank Strips & Gaskets
Vulcanizing
Non-Standard O-Rings
Sleeves
Gaskets

Spiral Wound Gaskets

304 Stainless Steel / Graphite
316 Stainless Steel / Graphite

Packing

Aramid Filament
Carbon / Graphite
Carbon / TFE
Flax and Flax / TFE
General Service Packing
G.F.O.®
Graphite Filament
Inconel Wire-Inserted
Novoloid Fiber / PTFE
Pre-Lubed TFE Yarn
Pre-Lubed TFE Yarn (FDA)
PTFE Cord Packing
Stuffing Box Packing (S.B.S.)
TFE Yarn
Twisted Fiberglass Rope & Wick

Industrial Glass

Tubular Gauge Glass
Standard
High Pressure
Red Line
Heavy Wall
Heavy Wall Red Line
Borosilicate Flat Glass
Circles
Rectangles
Squares
Flat Gauge Glass
Plain
High Pressure
Reflex
Vycor® Brand Flat Glass
Circles
Rectangles
Squares
Pyrex® Brand Annular Edge
Sight Glass
Annealed
Tempered

Industrial Glass (continued)

Fused Quartz
Circles
Rectangles
Squares
Glass Accessories
Guard Rods – Brass
Water Gauges – Brass
Gauge Glass Cutters
Gauge Glass Gaskets
PCTFE Shields
Mica Shields

Plastic Products

Replacement Safety Visors
Safety Visor Headgear
Safety Visor Hardhat Adapters
Replacement Lenses for
Sandblasting Helmets
Plastics for the Printing Industry
Custom Fabricated Die-Cut
Plastic Products

Specialty & Miscellaneous Products

Fastener Seals
Thread Seals
Tools
Gasket Cutters
Gasket Knives
Gauge Glass Cutters
Packing Hooks
O-Ring Picks
Punches & Punch Sets
Clamping System Tools
Tapes
Fiberglass
Kapton®
Polyester
Silicone Adhesive Backed –
Solid
Silicone Adhesive Backed –
Sponge
Teflon® Fiberglass
TFE Pipe Thread Tape
Adhesives
PTFE Flange Sealant
Stop-It® Pipe Repair System

www.callapg.com

713-675-5271
1-800-888-5223

FAX 713-675-2730
FAX 1-800-444-3252



ENAseals
a division of APG

(440) 926-1234
1-800-883-7457
Fax: (440) 926-1112

P.O. Box 96
1004 Commerce Drive
Granton, Ohio 44044



“America’s Most Responsive Warehouse”

www.callapg.com
(713) 675-5271
1-800-888-5223

[email info@callapg.com](mailto:info@callapg.com)
FAX: (713) 675-2730
FAX: 1-800-444-3252

P.O. Box 213 (77001)

6039 Armour Dr. (77020)

Houston, Texas