

SKINNY IS THE NEW STRONG

- ▶ **15% STRONGER** than industry leading Poly Chain® GT® Carbon™
- ▶ **NARROWEST + LIGHTEST** industrial drives possible
- ▶ Up to **97% LIGHTER** than roller chain



Poly Chain **ADV**™



POLY CHAIN ADV™ drives larger chain replacement possibilities and skinnier V-belt replacement options than ever before.

**REPLACING LARGE
ROLLER CHAIN OFFERS:**

NO LUBRICATION

NO METAL ON METAL WEAR

REDUCED REPLACEMENT INTERVAL

Reduced weight makes
that job tremendously easier

**REPLACING MULTI-STRAND
V-BELTS OFFERS:**

REDUCED OVERHUNG LOAD

REDUCED FORCE ON BEARINGS

**ADDED BONUS
INCREASED ENERGY EFFICIENCY**

NO RETENSIONING

EASIER INSTALLATION

NO MAINTENANCE

REDUCED WEIGHT

MANAGEABLE REPLACEMENTS

seriously, it's time to

LOSE THE WEIGHT

LIGHTWEIGHT ISN'T THE WHOLE STORY

WHEN REPLACING LARGE ROLLER CHAIN

WEIGHT SAVINGS
97%

MAINTENANCE SAVINGS
100%

**YANK YOUR
CHAIN!**

ROLLER CHAIN

Gates POLY CHAIN ADV™

2-180

14 mm pitch, 125 mm width

Length: 3500 mm

Length: 3500

Total Weight: 207 lbs

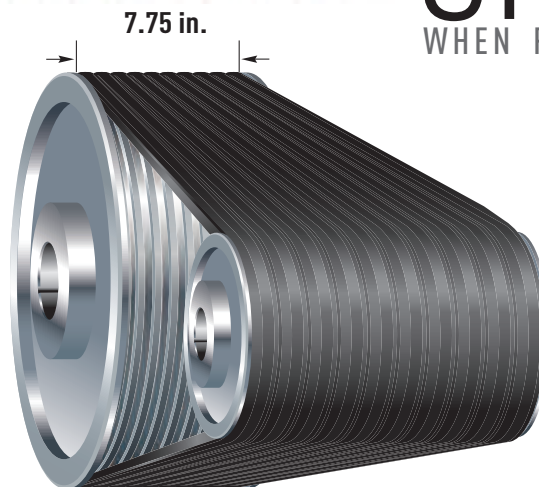
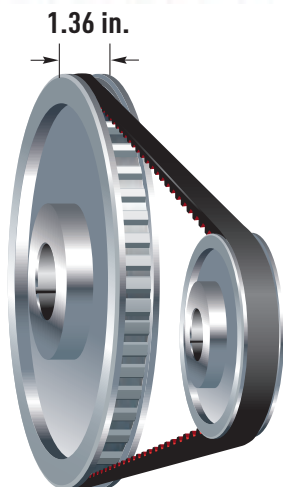
Total Weight: 7 lbs (*not a typo*)

Recommended Maintenance:
Lubricate. *Repeatedly.*
Retension. *Repeatedly.*

Recommended Maintenance:
None. *Really.*

SKINNY IS THE NEW STRONG

WHEN REPLACING MULTI-STRAND V-BELTS



WIDTH SAVINGS
82%

WEIGHT SAVINGS
49%

COST SAVINGS
21%

**FORCE ON
BEARINGS
48% LESS**

Gates Poly Chain ADV

14mm pitch, 20mm width
Total Weight: 88 lbs
Static Belt Pull: 1145 lbf
Total List Price: \$1452

B Section V-Belt

10-Strand B Drive
Total Weight: 179 lbs
Static Belt Pull: 2199 lbf (uf-dah!)
Total List Price: \$1844

Drive Specifications: 100 HP motor, 1750 RPM, 1.6 service factor, DriveR O.D. 8.85 in., DriveN O.D. 20.0 in., Center Distance 25 in.

Poly Chain GT Carbon is also a replacement option at 37mm wide.



YOUR POLY CHAIN SOLUTIONS

Poly Chain GT Carbon is the drive of choice when replacing chain, V-belts or older technology synchronous belts, as well as in applications requiring wash down. The introduction of Poly Chain ADV expands your options to include extremely high horsepower applications and installations requiring the narrowest drive possible.

Poly Chain solutions reduce maintenance, component cost and weight, withstand rust and chemicals, and achieve energy savings when replacing V-belts. What's not to love?

	POLY CHAIN® GT® CARBON™			POLY CHAIN ADV™
SIZE				
PITCH (mm)	5	8	14	14
Length Range (mm)	300-815	640-4480*	994-4410*	994-4410
Standard Width (mm)	9, 15, 25	12, 21, 36, 62	20, 37, 68, 90, 125	20, 37, 68, 90, 125
Example Part Number	14MGT-1610-90			14ADV-994-20
MATERIAL				
Body	POLYURETHANE			POLYURETHANE
Tensile Cord	CARBON FIBER			ADVANCED DESIGN CARBON FIBER
Tooth Facing	CARBON BLUE™ NYLON			ADVANCED COMPOSITION RED NYLON
ENVIRONMENT				
Static Conductivity	NO**			NO
Ambient Temperature	-65°F to +185°F (-53°C to +85°C)			

* Poly Chain GT Carbon Extended Length: available in any length that accommodates tooth count.

** Use Poly Chain Carbon Volt